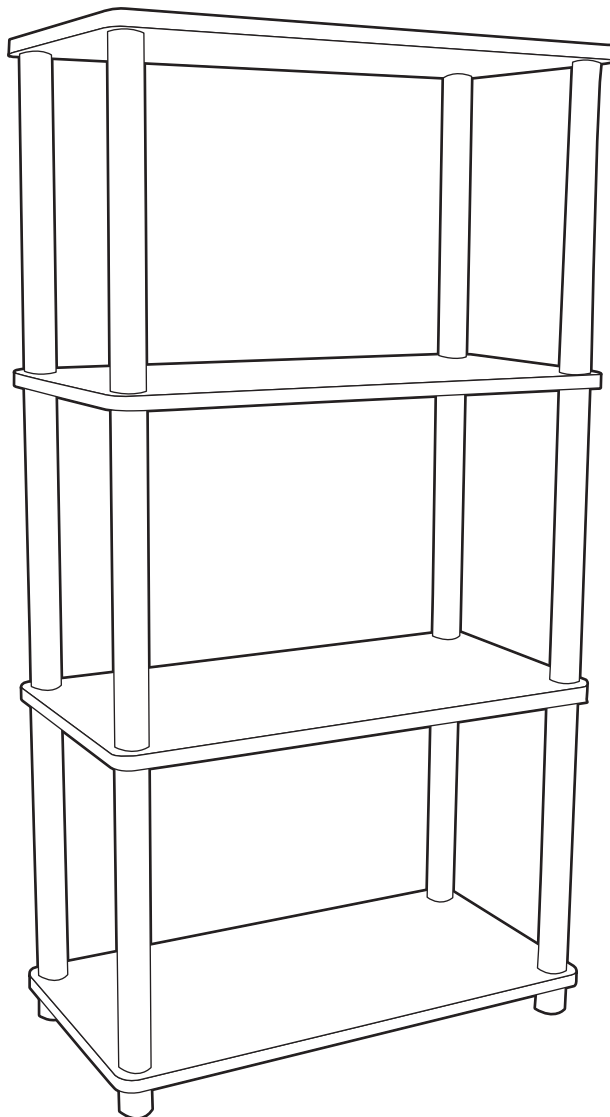


Verona Bookcase

Assembly Instructions - Please keep for future reference

609/5095

610/6472



Dimensions

Width - 60cm

Depth - 30cm

Height - 113cm

Important - Please read these instructions fully before starting assembly

If you need help or have damaged or missing parts, call the **Customer Helpline: 08456 400800**



Safety and Care Advice

Important - Please read these instructions fully before starting assembly

- Check you have all the components and tools listed on pages 2 and 3.
- Remove all fittings from the plastic bags and separate them into their groups.
- Keep children and animals away from the work area, small parts could choke if swallowed.
- Make sure you have enough space to layout the parts before starting.

- Do not stand on the panels, this could cause damage.
- Assemble the unit as close to its final position (in the same room) as possible.
- Assemble on a soft level surface to avoid damaging the unit or your floor.
- Parts of the assembly will be easier with 2 people.



- We do not recommend the use of power drill/ drivers **for inserting screws**, as this could damage the unit. Only use hand screwdrivers.
- Dispose of all packaging carefully and responsibly.
- **Warning:** The unit weighs approximately 8.4kgs. **Please lift with care.**

Care and maintenance

- Only clean using a damp cloth and mild detergent, do not use bleach or abrasive cleaners.
- From time to time check that there are no loose screws on this unit.
- This product should not be discarded with household waste. Take to your local authority waste disposal centre.

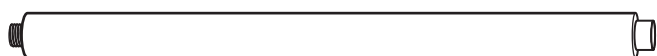
Components - Panels

If you have damaged or missing components, call the **Customer Helpline:08456 400800**

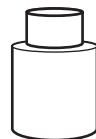
Please check you have all the panels listed below



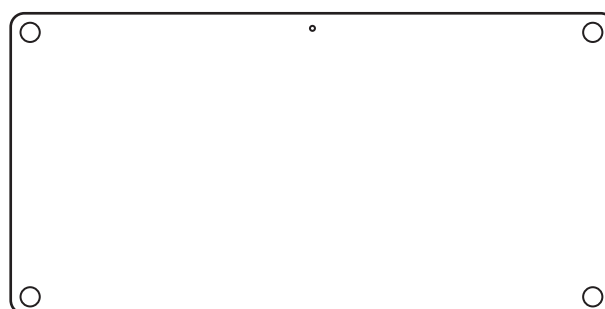
1 Shelf x 3 (60 x 30cm)



2 Leg x 12 (37.1 x Ø3.5cm)



3 Foot x 4 (4.7 x Ø3.4cm)

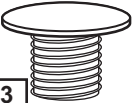






4 Top shelf (60 x 30cm)

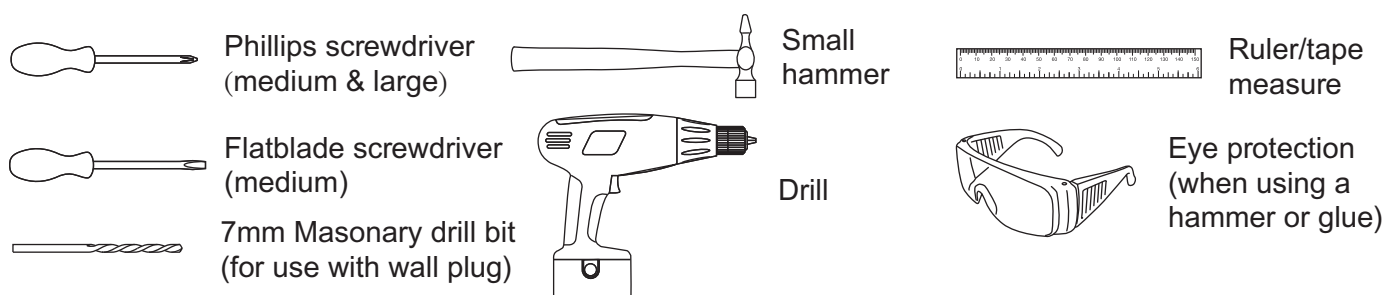
Components - Fittings

Please check you have all the fittings listed below

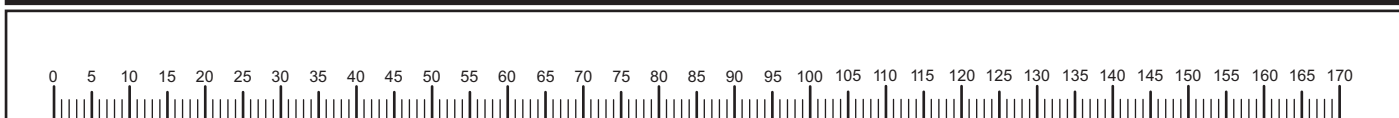
Note: The quantities below are the correct amount to complete the assembly. In some cases more fittings may be supplied than are required.

<p>A  Cap screw x 4 Pre-assembled at 3</p>	<p>B  15mm Screw x 1</p>	<p>C  27mm Screw x 1</p>
<p>D  Wall strap x 1</p>	<p>E  Wall plug x 1</p>	

Tools required



Ruler - Use this ruler to help correctly identify the screws

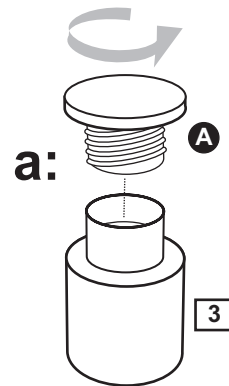


Assembly Instructions

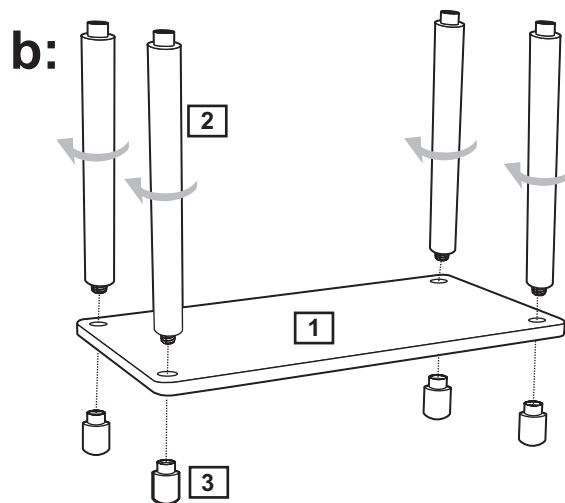
Step 1

Fitting the legs

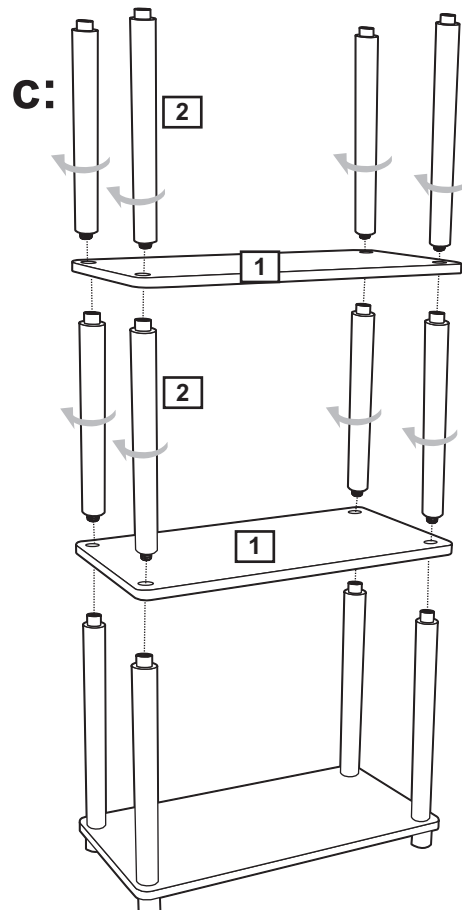
a: Unscrew Cap screws **A** from the Feet **3**.



b: Use Legs **2** to fix the Feet **3** onto the Shelf **1**.



c: Use Legs **2** to fix the other Shelves **1** onto the unit.

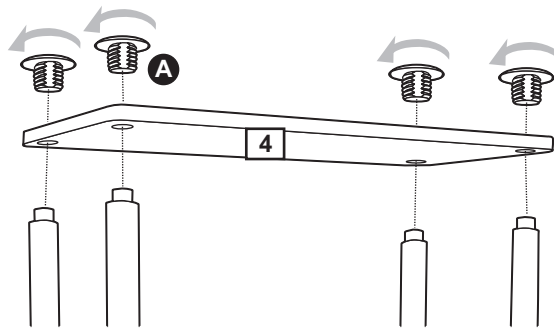


Assembly Instructions

Step 2

Finishing the unit

Use Cap screws **A** to fix the Top shelf **4** on the top of the unit.



Step 3

Fixing to wall

It is recommended that the unit is fixed to a wall.

Note: It would be useful to ask someone to help you at this stage.

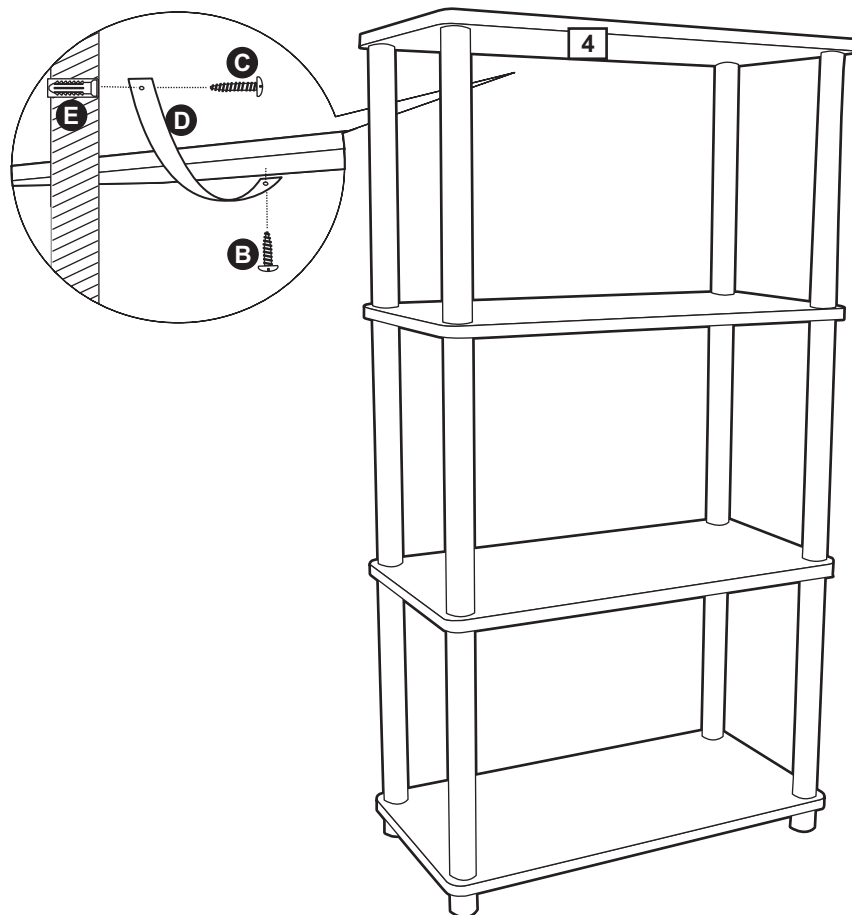


Important: When drilling into walls always check that there are no hidden wires or pipes etc. Make sure that the screws and wall plugs supplied are suitable for supporting the unit. Consult a qualified tradesperson if you are not sure.

Use Screw **B** to fix the Wall Strap **D** onto the underside of Top Shelf **1**.

Using a drill, predrill a hole at the desired height. Use the Wall Plug **E** to fit to the hole. Pass Screw **C** through loose end of Wall Strap **D** to fix the unit into the wall.

Assembly is complete.



If you need help or have damaged or missing parts, call the **Customer Helpline : 08456 400800**

A Guide to -Wall Mounting & Fixings

Important note:

If plastic wall plugs are supplied with your product:



- these are only suitable for use in masonry walls.

If you are in any doubt about the correct wall plugs for your wall, seek professional advice.

Failure of the product due to using incorrect fixings is the responsibility of the installer.



Important: When drilling into walls always check that there are no hidden wires or pipes etc.

Make sure that the screws and wall plugs being used are suitable for supporting your unit. Consult a qualified tradesperson if you are unsure.

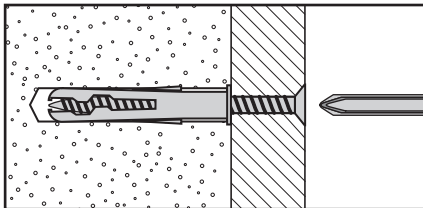
Hints:

- 1: General rule:** ⚠ Always use a larger screw and wall plug if you are not sure.
- 2: Ensure you use the recommended drill bit to match the wall plug and hole size.
- 3: Ensure you drill the hole horizontally, do not force the drill or enlarge the hole.
- 4: Take extra care when drilling high walls, ceilings and ceramic tiles. Ensure wall plugs are inserted beyond the thickness of the ceramic tiles to avoid the tiles splitting or cracking.
- 5: Ensure wall plugs are well fitted and are a tight fit in the drilled hole.

Types of walls

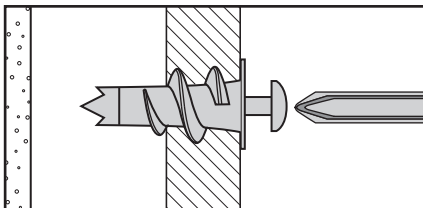
You can use one of the following types of wall plug if your walls are made of brick, breeze block, concrete, stone or wood.

No.1 "General Purpose" wall plug



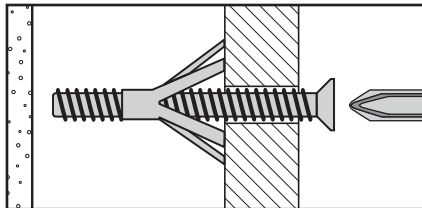
Generally aerated blocks should not be used to support heavy loads, use a specialist fitting in this case. For light loads, general purpose wall plugs can be used.

No.2 "Plasterboard" wall plug



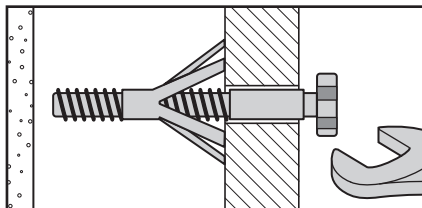
For use when attaching light loads on to plasterboard partitions.

No.3 "Cavity Fixing" wall plug



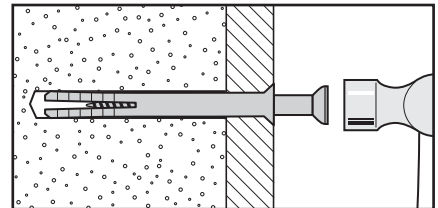
For use with plasterboard partitions or hollow wooden doors.

No.4 "Cavity Fixing-Heavy Duty" wall plug



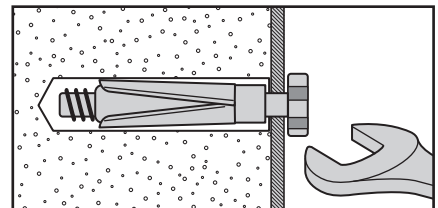
For use when fitting or supporting heavy loads such as shelving, wall cabinets and coat racks.

No.5 "Hammer Fixing" wall plug



For use with walls stuck with plasterboard. The hammer fixing allows it to be fixed to the wall rather than the plasterboard. Always check the fixing is secure to the retaining wall.

No.6 "Shield Anchor" wall plug Heavy loads



For use with heavier loads such as TV & HiFi speakers and satellite dishes etc.



Care & Maintenance

Safety: Always check the fitting and location to ensure your safety in and around the home.

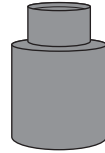
Fitting: From time to time check the fitting to ensure the wall plugs or screws do not become loose.

Components

Ⓐ 3 x Shelf



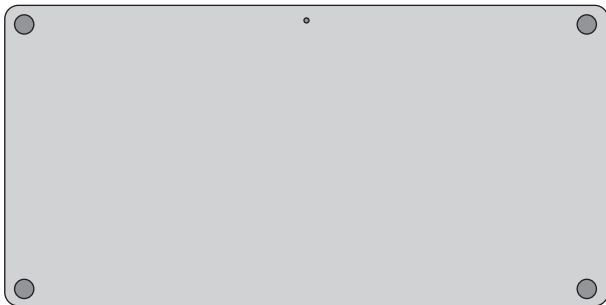
Ⓑ 4 x Foot



Ⓒ 12 x Leg

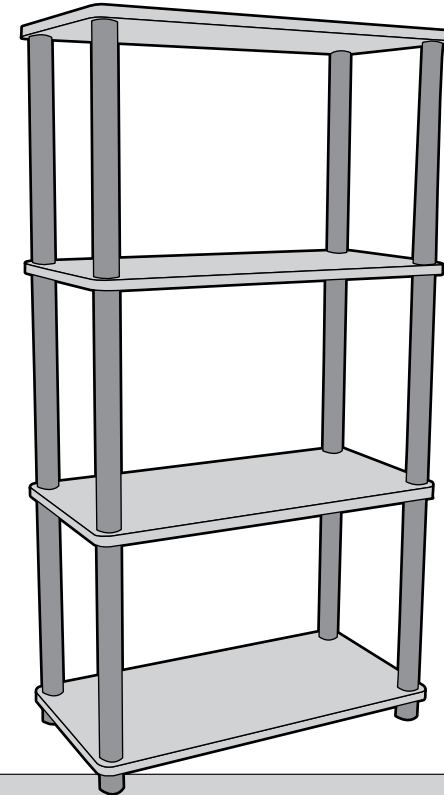


Ⓓ 1 x Top Shelf



Verona Beech / Silver Shelving Unit

Simple Assembly Instructions - Please keep for future reference



Fittings

Ⓐ 4 x Cap Screw



Ⓑ 1 x Wall Strap



Ⓒ 1 x Screw



Ⓓ 1 x Screw



Ⓔ 1 x Wall Plug



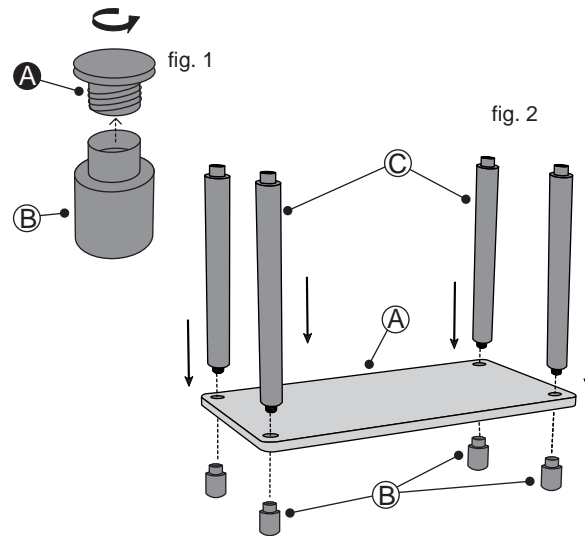
IMPORTANT

1. Read these instructions carefully and familiarise yourself with the procedure before assembling the unit.
2. Check that you have all the component parts following the list on the back cover and familiarise yourself with each part before proceeding.
3. Take all the fittings out of the plastic bag and separate them into their groups.
4. Ensure you have enough space to lay out all the parts before assembly.
5. To avoid scratching it is recommended that you assemble the unit on a soft level surface.

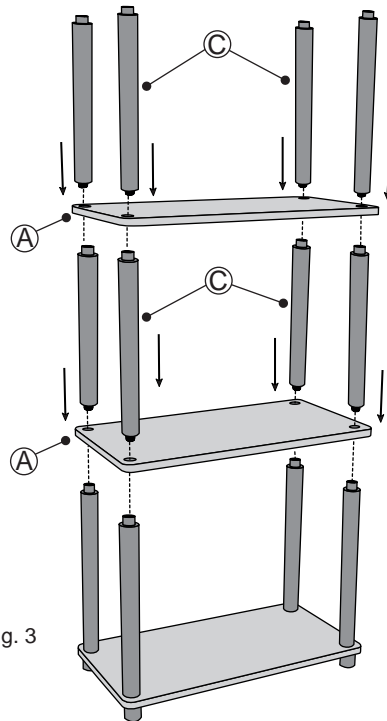
Assembly Instructions

Stage 1 – Fitting the Legs

1. Unscrew Cap Screws **A** from the Feet **B**.
See fig. 1.



2. Use Legs **C** to fix the Feet **B** onto the Shelf **A**.
See fig. 2.



3. Use Legs **C** to fix the other Shelves **A** onto the unit.
See fig. 3.

Assembly Instructions

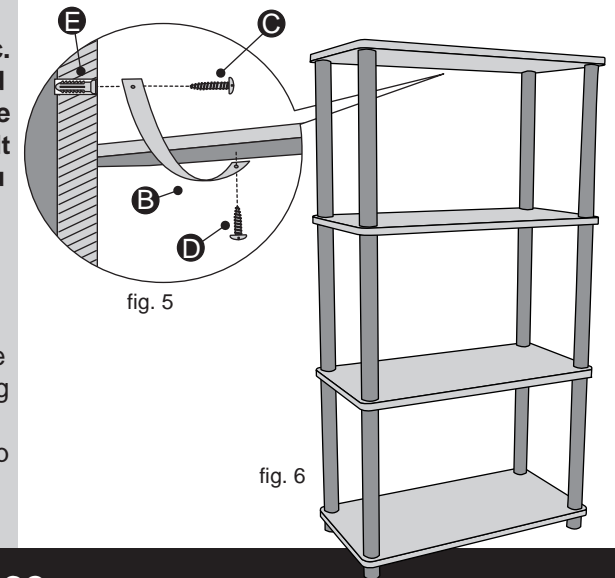
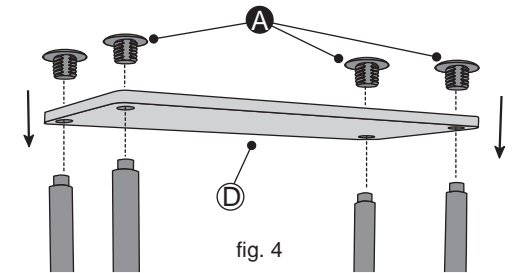
Stage 2 – Finishing the Unit

1. Use Cap Screws **A** to fix the Top Shelf **D** on the top of the unit.
See fig. 4.
2. Now place the unit in the desired location.
See fig. 6.
3. Use Screw **D** to fix the Wall Strap **B** onto the underside of Top Shelf **D**.
See fig. 5.

IMPORTANT: When drilling into walls always check that there are no hidden wires or pipes etc. Make sure that the screws and wall plugs supplied are suitable for supporting the unit. Consult a qualified tradesperson if you are not sure.

NOTE: It would be useful to ask someone to help you at this stage.

4. Using a drill, predrill a hole at the desired height. Use the Wall Plug **E** to fit to the hole. Pass Screw **C** through loose end of Wall Strap **B** to fix the unit into the wall.
See fig. 5.



Care and Maintenance

Safety

To avoid any risk of suffocation to animals or children dispose of the plastic bags immediately.

Cleaning

As with all surfaces clean with a damp cloth and mild detergent, do not use bleach or abrasive products.

Fitting

From time to time please ensure there are no loose screws on the product.