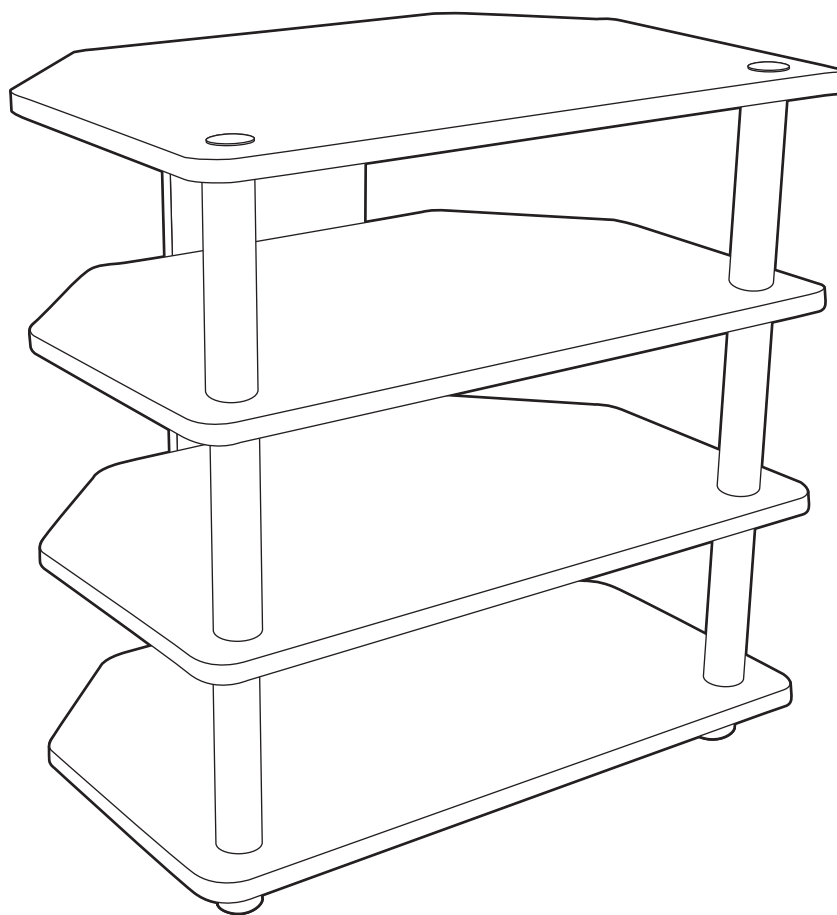


# Verona Corner TV Unit

Assembly Instructions - Please keep for future reference

609/5057

610/3475



## Dimensions

Width - 60cm

Depth - 40cm

Height - 59.5cm

**Important - Please read these instructions fully before starting assembly**

If you need help or have damaged or missing parts, call the **Customer Helpline: 08456 400800**



# Safety and Care Advice

**Important** - Please read these instructions fully before starting assembly

- Check you have all the components and tools listed on pages 2 and 3.
- Remove all fittings from the plastic bags and separate them into their groups.
- Keep children and animals away from the work area, small parts could choke if swallowed.
- Make sure you have enough space to layout the parts before starting.

- Do not stand on the panels, this could cause damage.
- Assemble the unit as close to its final position (in the same room) as possible.
- Assemble on a soft level surface to avoid damaging the unit or your floor.
- Parts of the assembly will be easier with 2 people.



- We do not recommend the use of power drill/ drivers **for inserting screws**, as this could damage the unit. Only use hand screwdrivers.
- Dispose of all packaging carefully and responsibly.
- **Warning:** The unit weighs approximately 11kgs. **Please lift with care.**

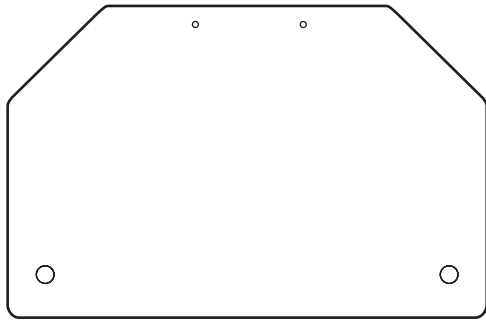
## Care and maintenance

- Only clean using a damp cloth and mild detergent, do not use bleach or abrasive cleaners.
- From time to time check that there are no loose screws on this unit.
- This product should not be discarded with household waste. Take to your local authority waste disposal centre.

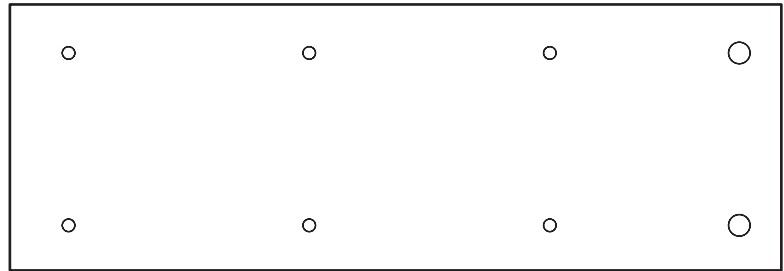
# Components - Panels

If you have damaged or missing components, call the **Customer Helpline:08456 400800**

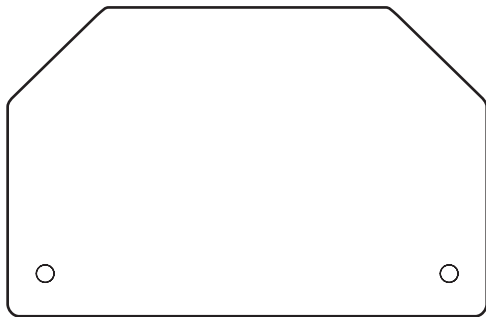
Please check you have all the panels listed below



**1** Table top (60 x 40cm)



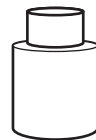
**3** Back panel (57.5 x 20cm)



**2** Shelf x 3 (60 x 38.5cm)



**4** Leg x 6 (19.3 x Ø3.5cm)


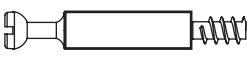





**5** Foot x 2 (4.7 x Ø3.4cm)


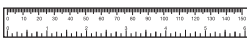
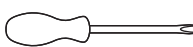
# Components - Fittings

Please check you have all the fittings listed below

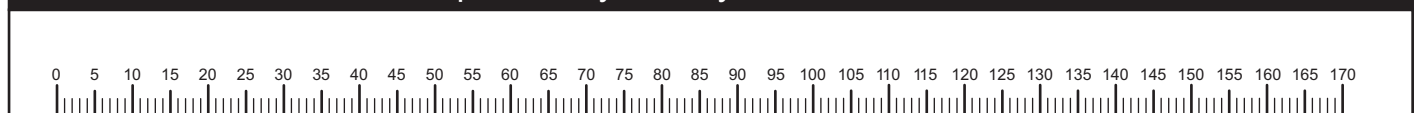
**Note:** The quantities below are the correct amount to complete the assembly. In some cases more fittings may be supplied than are required.

<p><b>A</b></p>  <p>Cap screw x 2 Pre-assembled at <b>5</b></p>	<p><b>B</b></p>  <p>Locking pin x 2</p>	<p><b>C</b></p>  <p>Locking nut x 2</p>
<p><b>D</b></p>  <p>50mm Screw x 6</p>	<p><b>E</b></p>  <p>Tool x 1</p>	

## Tools required

-  Phillips screwdriver (medium & large)
-  Ruler/tape measure
-  Flatblade screwdriver (medium)

Ruler - Use this ruler to help correctly identify the screws

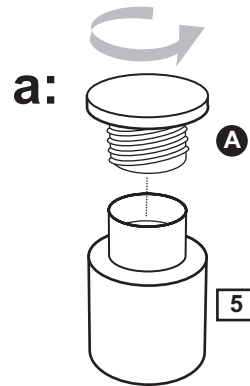


# Assembly Instructions

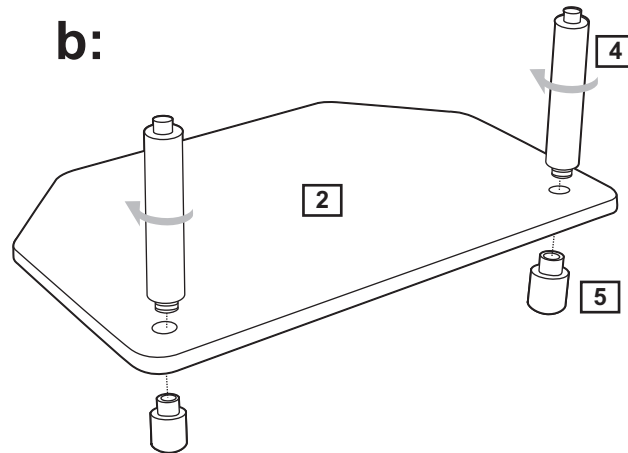
## Step 1

### Fitting the back panel

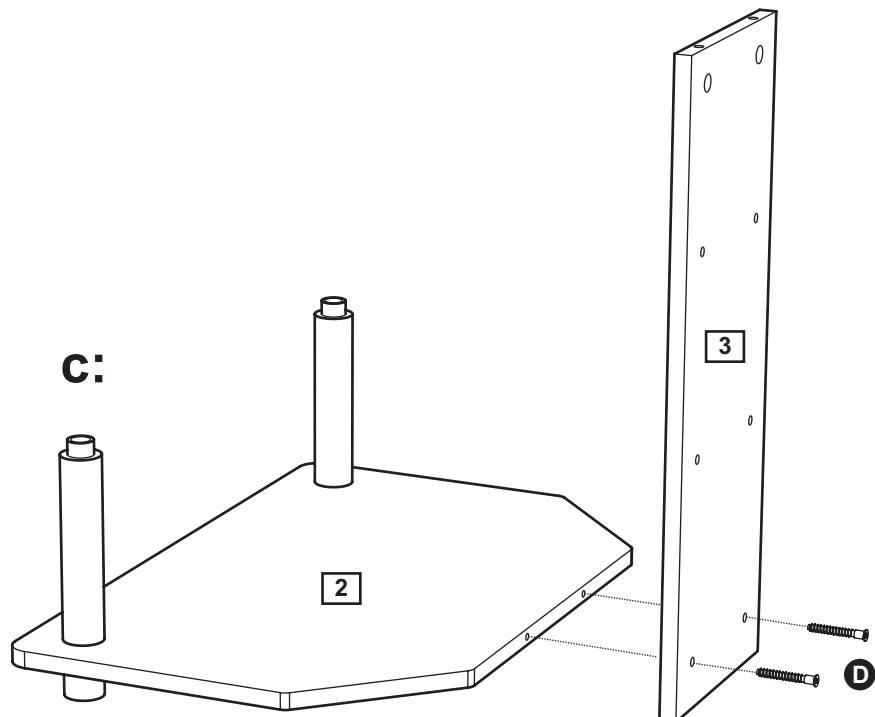
**a:** Unscrew Cap screws **A** from the Feet **5**.



**b:** Insert Legs **4** into the first Shelf **2**, then screw Feet **5** into the Legs.



**c:** Use Screws **D** to fix the Back panel **3** onto the Shelf **2**.

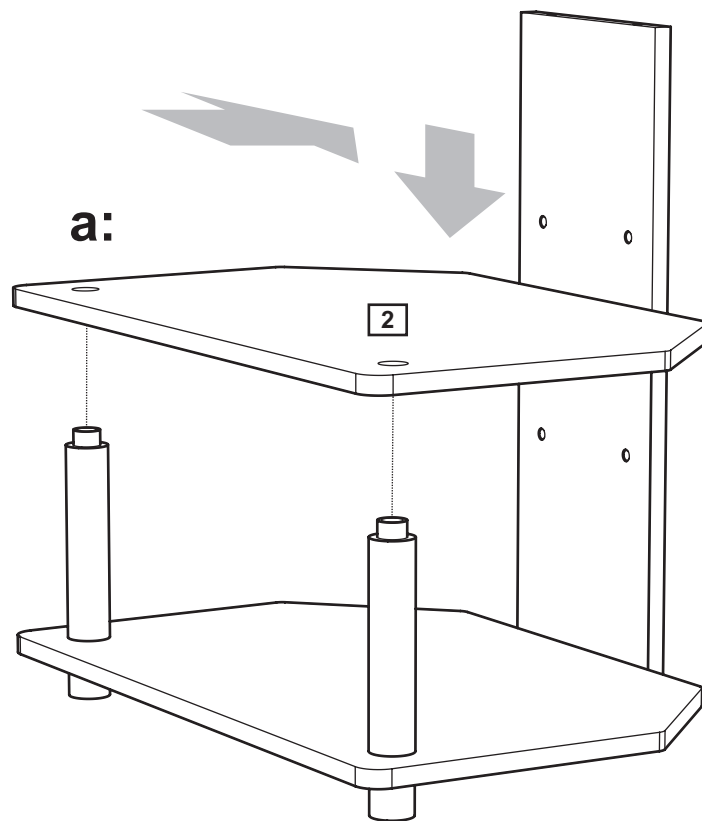


# Assembly Instructions

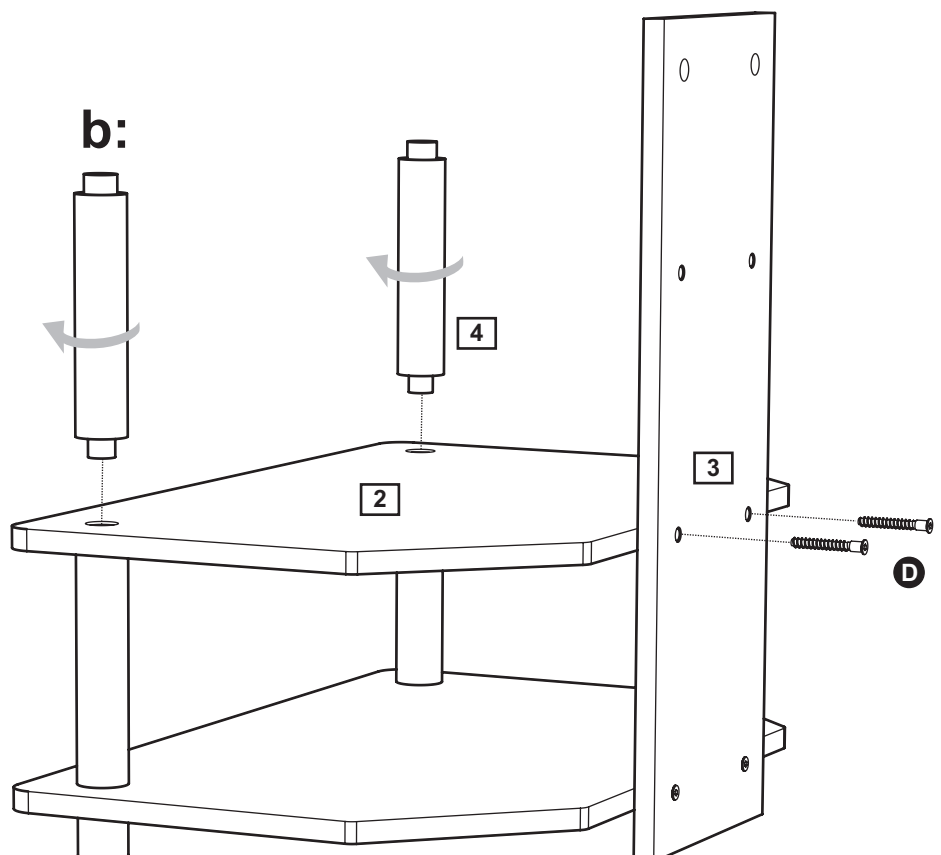
## Step 2

### Fitting the shelves

**a:** Carefully locate the second Shelf **2** onto the unit.



**b:** Use Screws **D** to fix the second Shelf **2** onto the Back panel **3**.  
Screw in Legs **4** to fix the second Shelf **2** onto the unit.



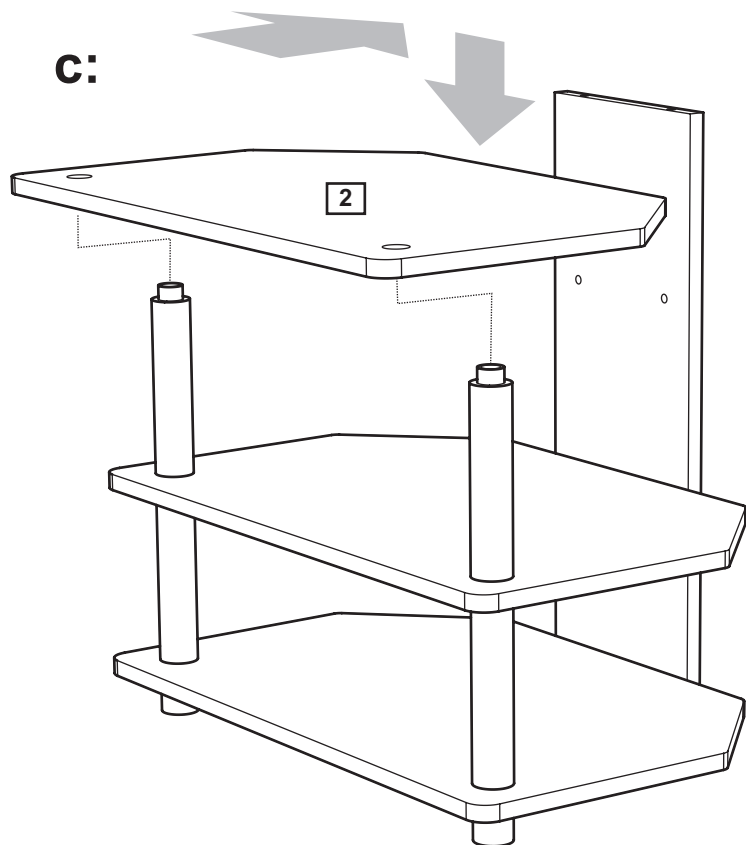
Continued on next page.

# Assembly Instructions

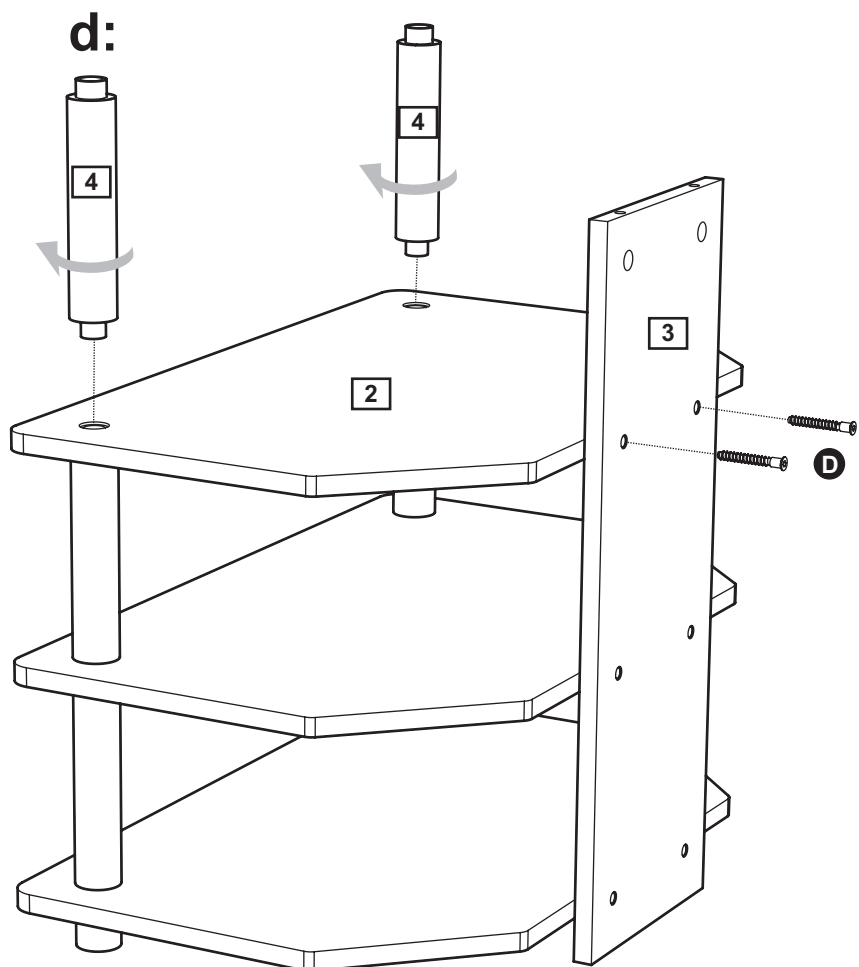
## Step 2 - continued

### Fitting the shelf

**c:** Carefully locate the third Shelf **2** onto the unit.



**d:** Use Screws **D** to fix the third Shelf **2** onto the Back panel **3**.  
Screw in Legs **4** to fix the third Shelf **2** onto the unit.

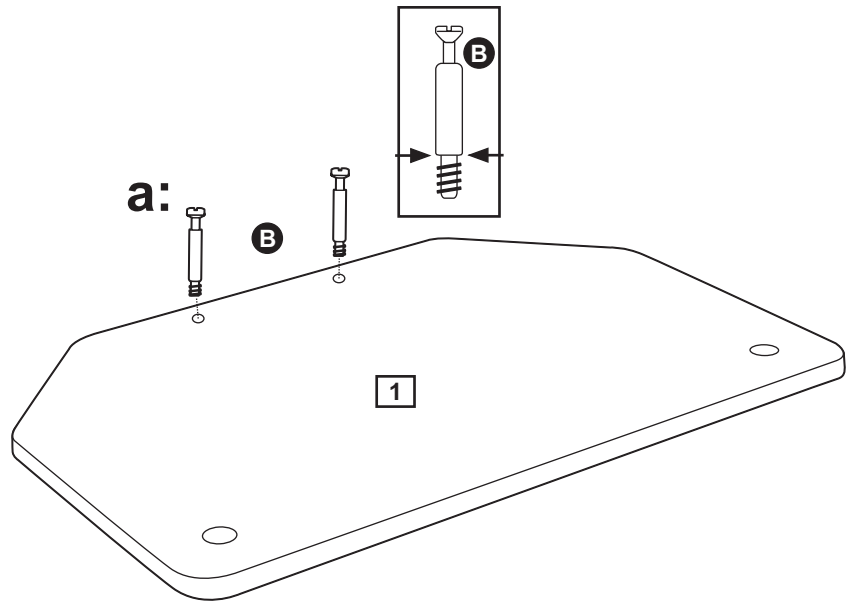


# Assembly Instructions

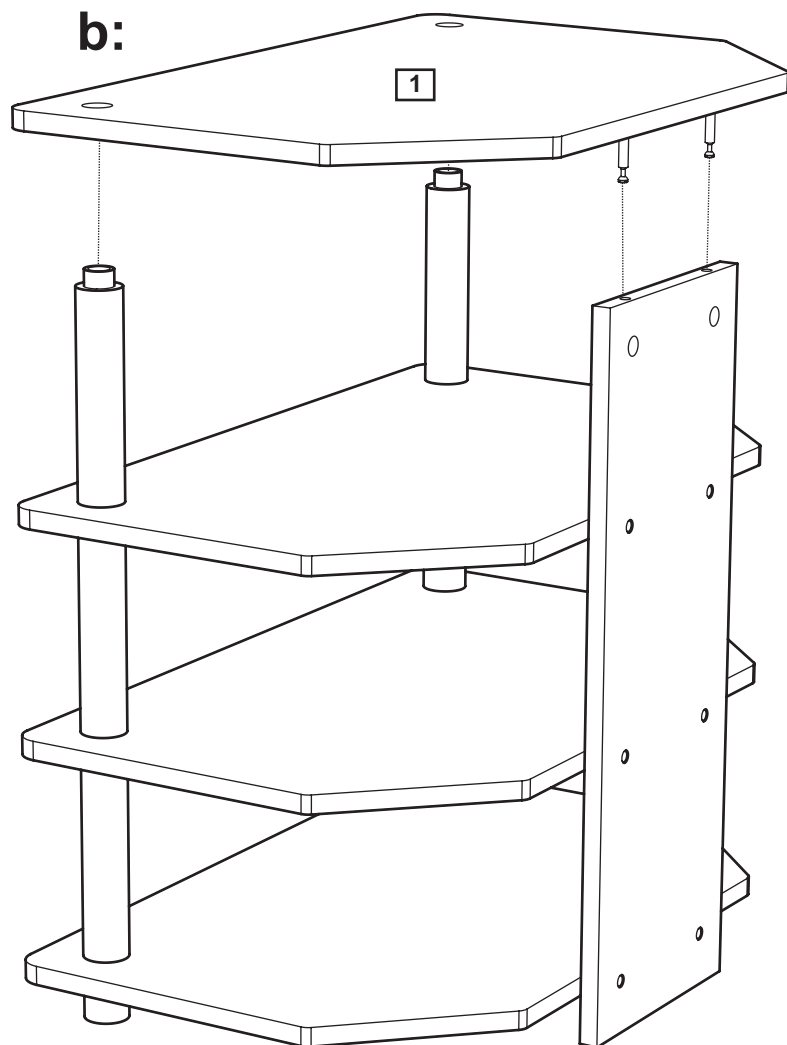
## Step 3

### Fitting the table top

**a:** Screw Locking pins **B** into the Top panel **1**.



**b:** Carefully locate the Table top **1** onto the unit.

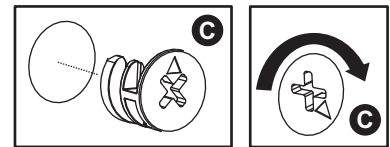
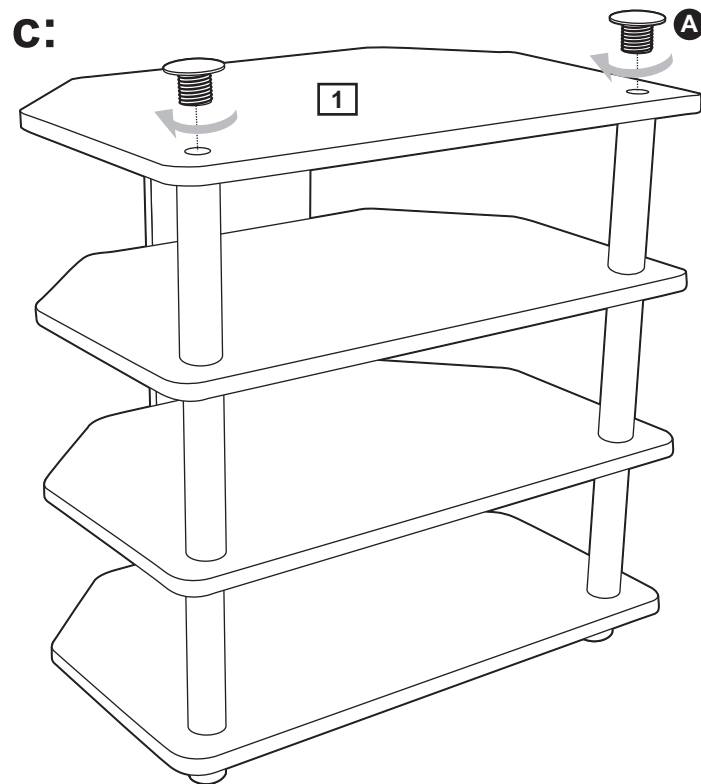


Continued on next page.

# Assembly Instructions

## Step 3 - continued

**c:** Screw Cap screws **A** to fix the Table top **1** onto the unit.



**d:** Use Locking nuts **C** to fix the Table top **1** onto the unit.





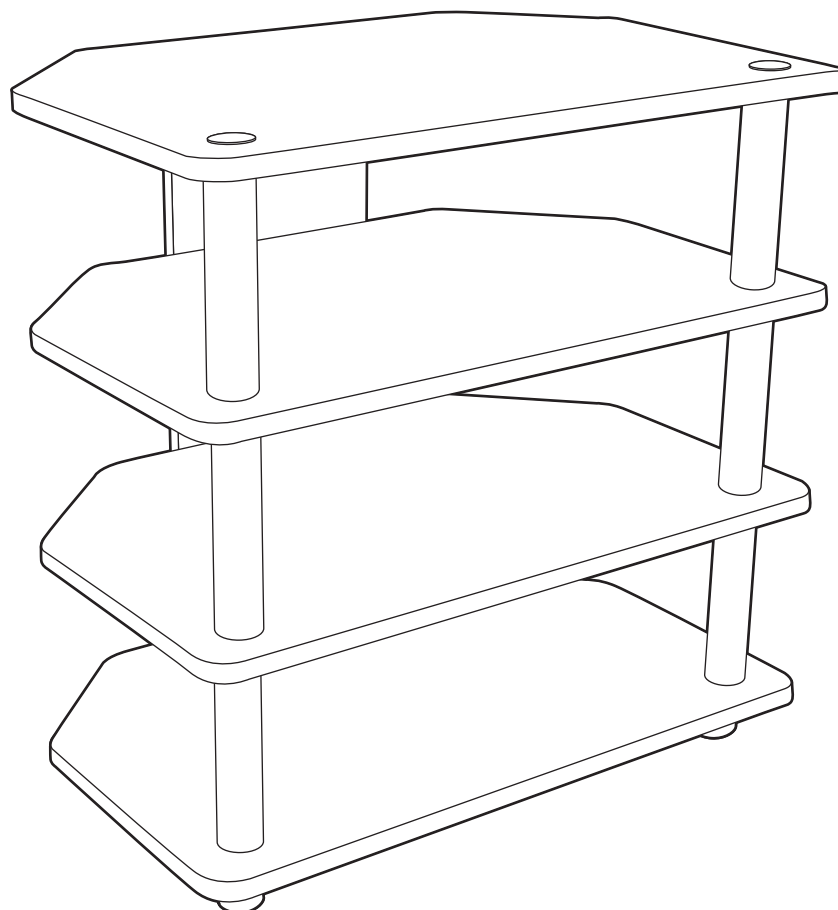
# Assembly Instructions

## Step 4

### Finishing the unit

Finally place the unit in the desired location.

**Note:** Before use always make sure the unit is secure.

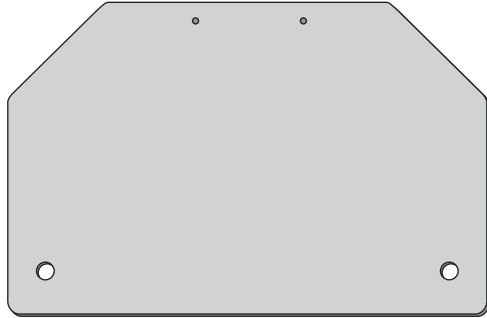


**Assembly is complete.**

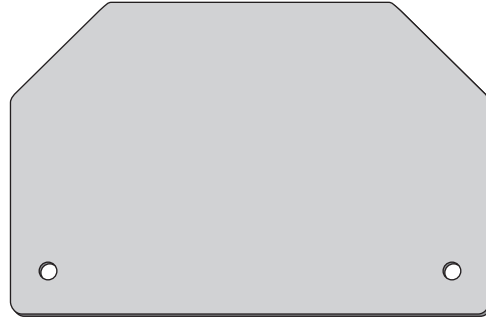
If you need help or have damaged or missing parts, call the **Customer Helpline : 08456 400800**

## Components

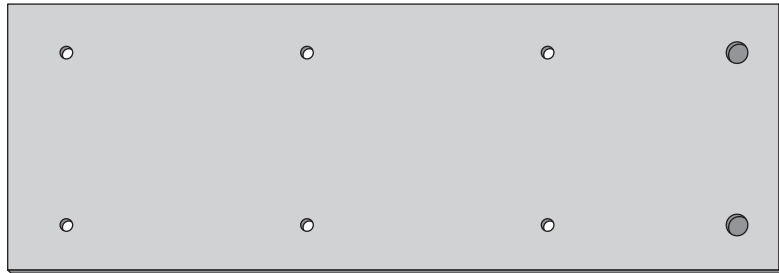
Ⓐ 1 x Table Top



Ⓑ 3 x Shelf



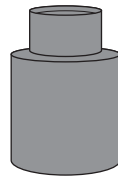
Ⓒ 1 x Back Panel



Ⓓ 6 x Leg



Ⓔ 2 x Foot



## Fittings

Ⓐ 2 x Cap Screw



Ⓑ 2 x Locking Pin



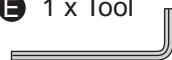
Ⓒ 2 x Locking Nuts



Ⓓ 6 x Screw



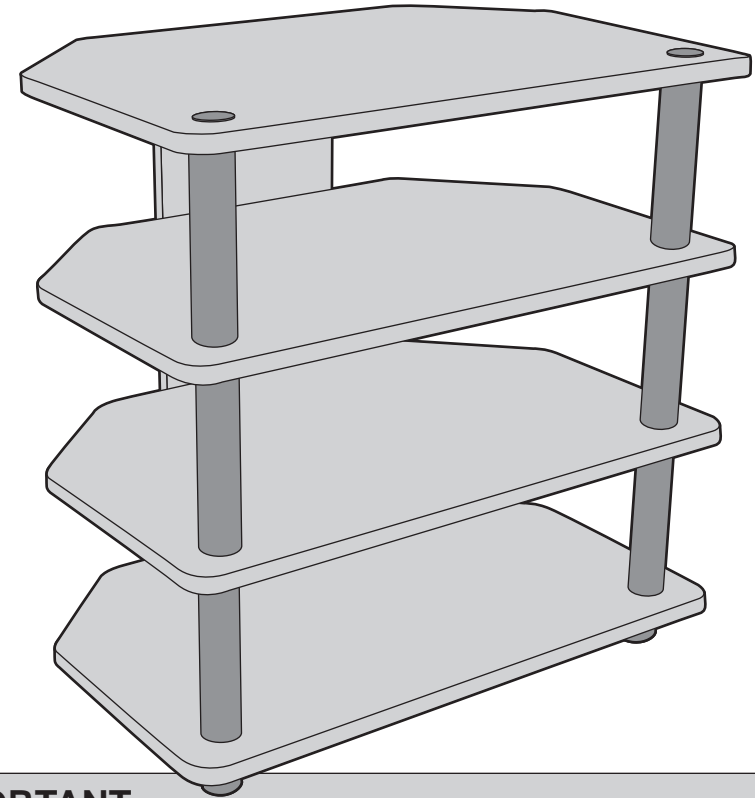
Ⓔ 1 x Tool



3-06

# Verona Corner TV Entertainment Unit

Simple Assembly Instructions - Please keep for future reference



## IMPORTANT

1. Read these instructions carefully and familiarise yourself with the procedure before assembling the unit.
2. Check that you have all the component parts following the list on the back cover and familiarise yourself with each part before proceeding.
3. Take all the fittings out of the plastic bag and separate them into their groups.
4. Ensure you have enough space to lay out all the parts before assembly.
5. To avoid scratching it is recommended that you assemble the unit on a soft level surface.

# Assembly Instructions

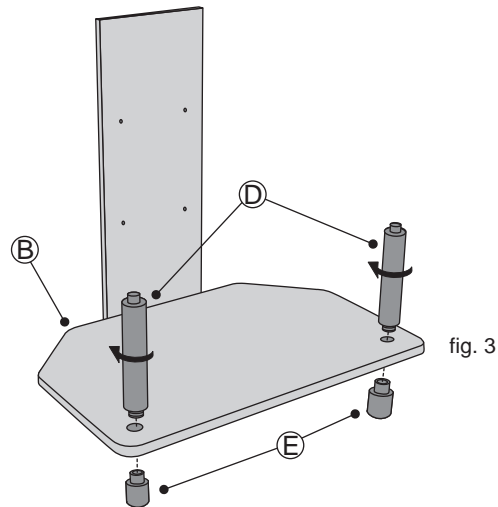
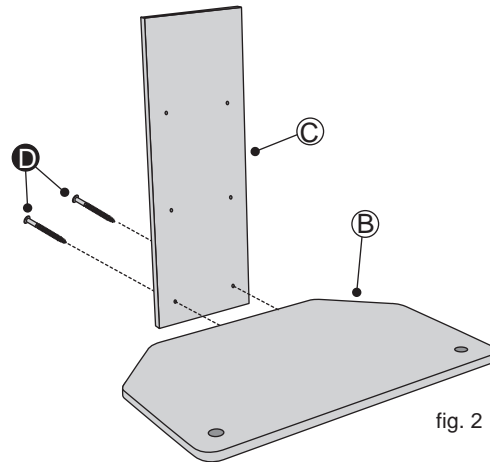
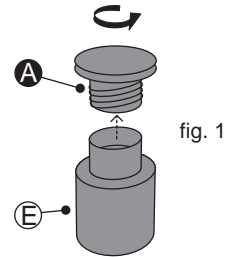
## Stage 1 – Fitting the Back Panel

**NOTE:** It would be useful to ask someone to help you at this stage.

1. Unscrew Cap Screws **A** from the Feet **E**.  
See fig. 1.

2. Use Screws **D** to fix the Back Panel **C** onto the Shelf **B**.  
See fig. 2.

3. Insert Legs **D** into the first Shelf **B**, then screw Feet **E** into the Legs.  
See fig. 3.



# Assembly Instructions

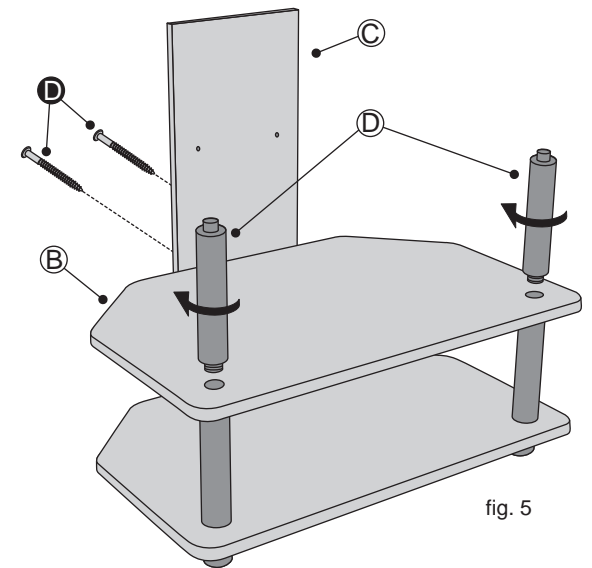
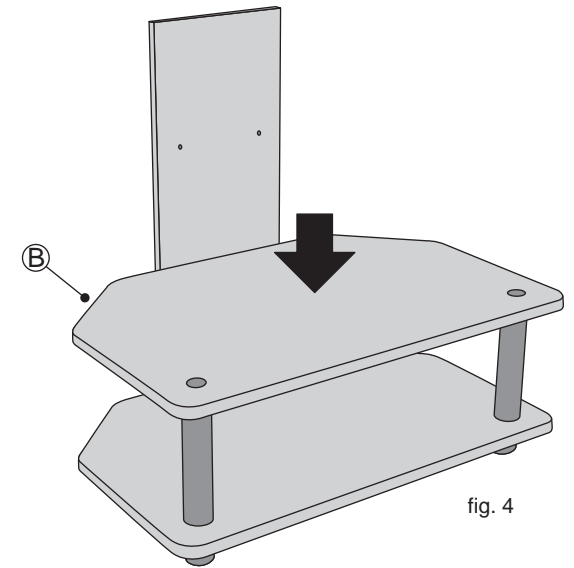
## Stage 2 – Fitting the Shelves

**NOTE:** It would be useful to ask someone to help you at this stage.

1. Carefully locate the second Shelf **B** onto the unit.  
See fig. 4.

2. Use Screws **D** to fix the second Shelf **B** onto the Back Panel **C**.  
See fig. 5.

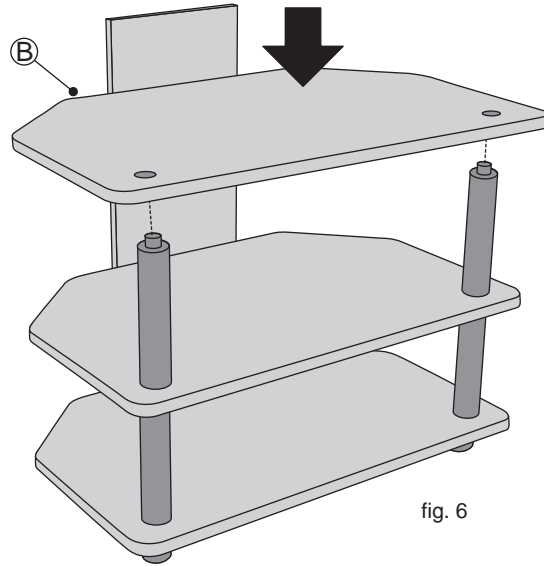
3. Screw in Legs **D** to fix the second Shelf **B** onto the unit.  
See fig. 5.



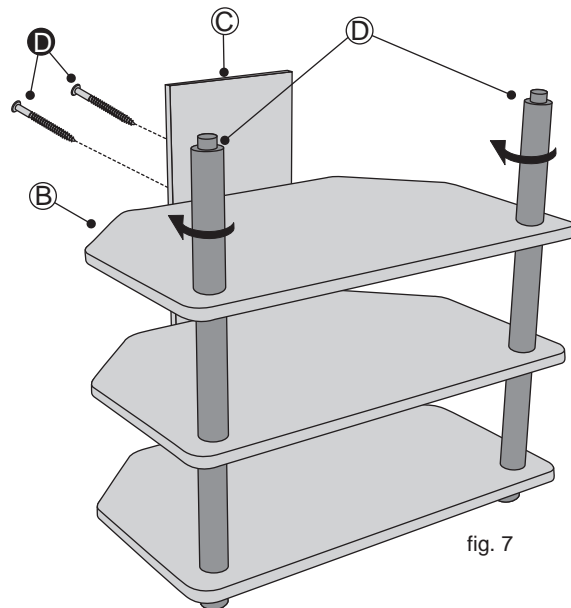
# Assembly Instructions

## Stage 2 – Fitting the Shelves

- Carefully locate the third Shelf **(B)** onto the unit.  
See fig. 6.



- Use Screws **(D)** to fix the third Shelf **(B)** onto the Back Panel **(C)**.  
See fig. 7.



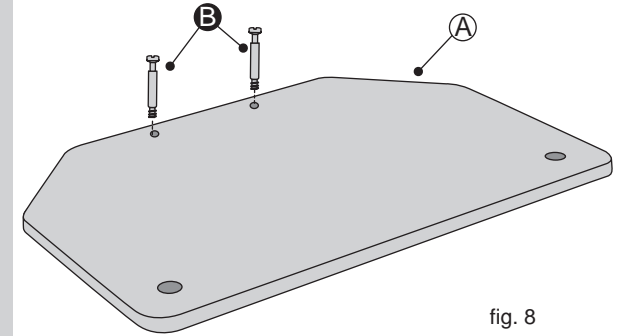
- Screw in Legs **(D)** to fix the third Shelf **(B)** onto the unit.  
See fig. 7.

# Assembly Instructions

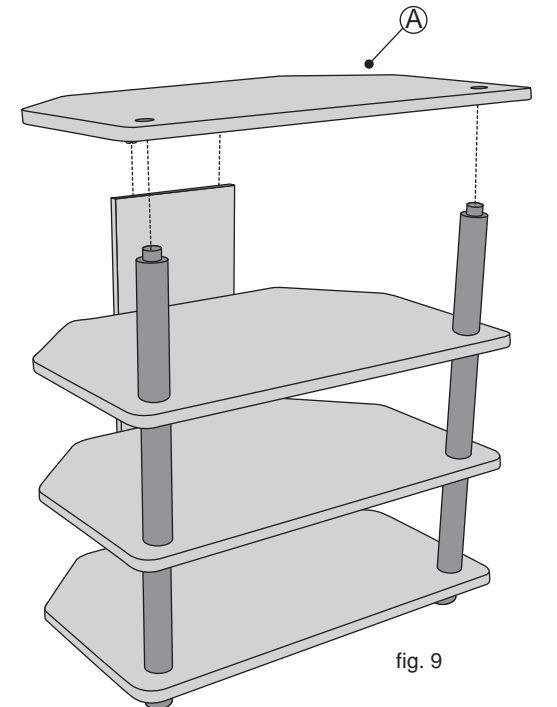
## Stage 3 – Fitting the Table Top

**NOTE:** It would be useful to ask someone to help you at this stage.

- Screw Locking Pins **(B)** into the Top Panel **(A)**.  
See fig. 8.



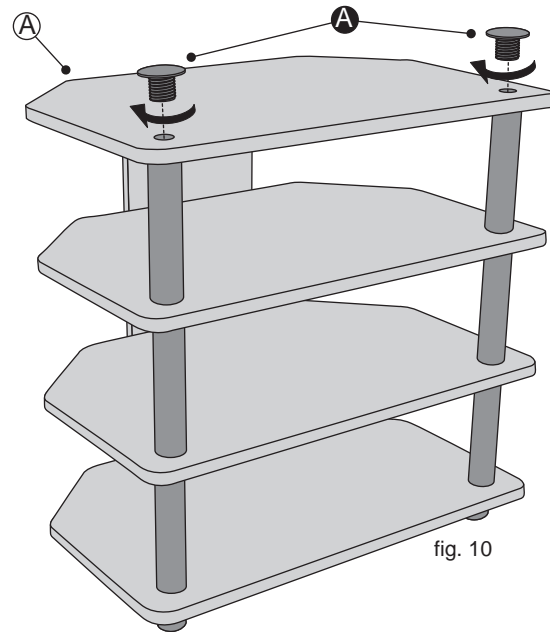
- Carefully locate the Table Top **(A)** onto the unit.  
See fig. 9.



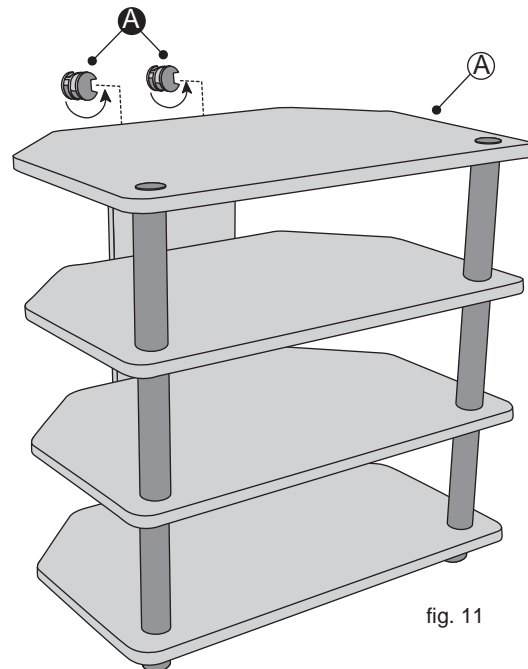
# Assembly Instructions

## Stage 3 – Fitting the Table Top

3. Screw in Cap Screws **A** to fix the Table Top **A** onto the unit.  
See fig. 10.



4. Use Locking Nuts **C** to fix the Table Top **A** onto the unit.  
See fig. 11.

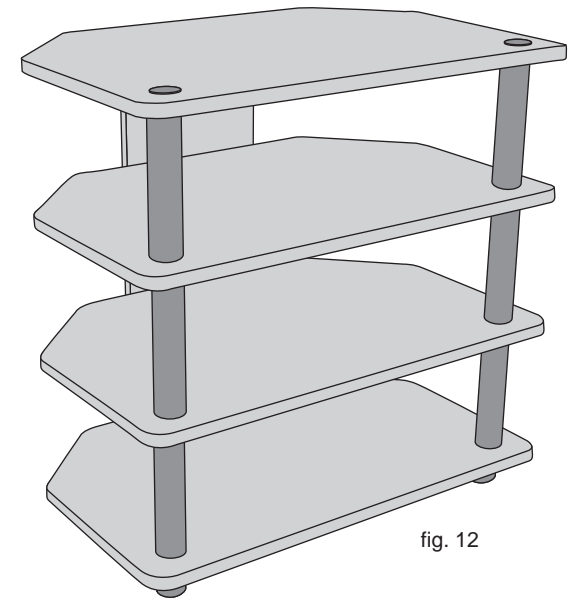


# Assembly Instructions

## Stage 4 – Finishing the Unit

**NOTE:** It would be useful to ask someone to help you at this stage.

1. Carefully place the unit in the desired location.  
See fig. 12.



## Care and Maintenance

### Safety

To avoid any risk of suffocation to animals or children dispose of the plastic bags immediately.

### Cleaning

As with all surfaces clean with a damp cloth and mild detergent, do not use bleach or abrasive products.

### Fitting

From time to time please ensure there are no loose screws on the product.