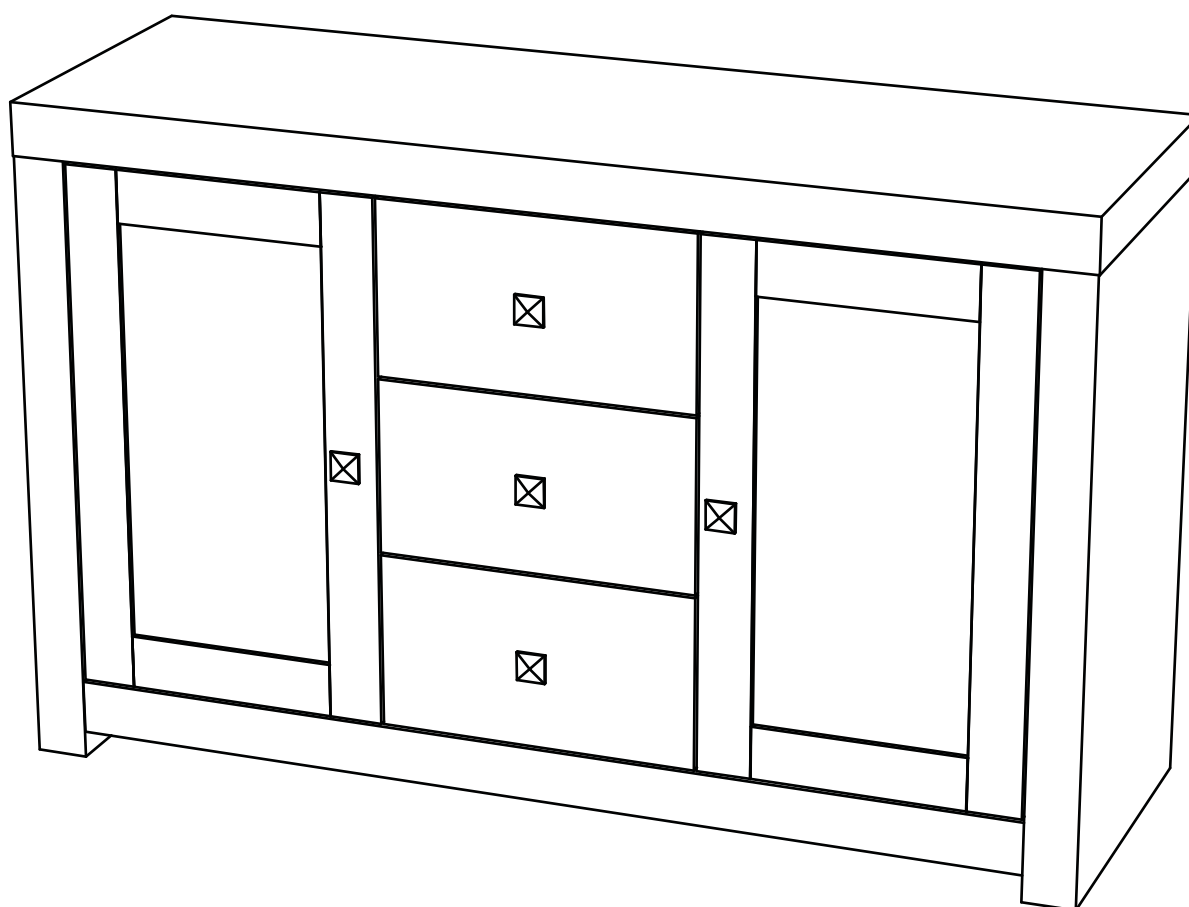


JAMAL SIDEBOARD

Assembly Instructions - Please keep for future reference

609/7196

609/7220



Dimensions

Width 120cm

Depth 40cm

Height 75cm

Important - Please read these instructions fully before starting assembly

If you need help or have damaged or missing parts call the Customer Helpline 08456 400800



Safety and Care Advice

Important - Please read these instructions fully before starting assembly

- Check you have all the components and tools listed on pages 2 and 3.
- Remove all fittings from the plastic bags and separate them into their groups.
- Keep children and animals away from the work area, small parts could choke if swallowed.
- Make sure you have enough space to layout the parts before starting.

- Do not stand on the panels, this could cause damage.
- Assemble the unit as close to its final position (in the same room) as possible.
- Assemble on a soft level surface to avoid damaging the unit or your floor.
- Parts of the assembly will be easier with 2 people.



- We do not recommend the use of power drill/ drivers for inserting screws, as this could damage the unit. Only use hand screwdrivers.
- Dispose of all packaging carefully and responsibly.
- Warning The unit weighs approximately 47.4kgs. Please lift with care.

Care and maintenance

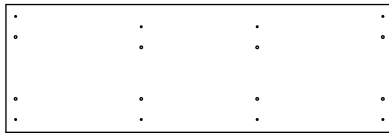
- Only clean using a damp cloth and mild detergent, do not use bleach or abrasive cleaners.
- From time to time check that there are no loose screws on this unit.
- This product should not be discarded with household waste. Take to your local authority waste disposal centre.

Note If required the next page can be cut out and used as a reference throughout the assembly. Keep this page with these instructions for future reference.

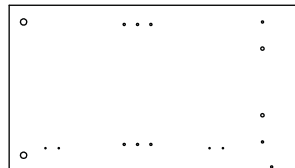
Components - Panels

If you have damaged or missing components
call the Customer Helpline 08456 400800

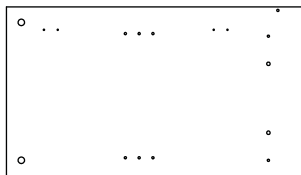
Please check you have all the panels listed below



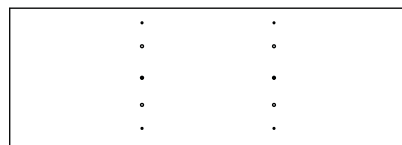
1 TOP (120 x 39.7cm)



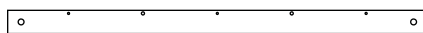
2 Left side (69 x 39.6cm)



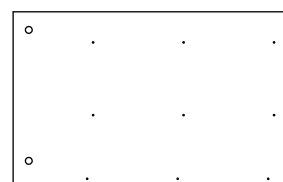
3 Right side (69 x 39.6cm)



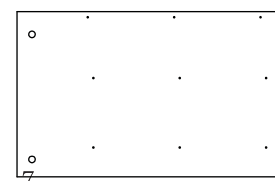
4 Bottom (108.2 x 38cm)



5 Front Apron (108.2 x 6cm)



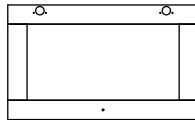
6 Left middle (60 x 38cm)



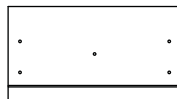
7 Right middle (60 x 38cm)



8 Shelf X 2 (35.3 x 37.8cm)



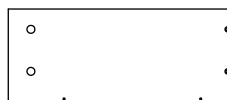
9 Door x 2 (59.4 x 35.7cm)



10 Drawer front x 3 (35.7 x 19.6cm)



11 Drawer left x 3 (34 x 14.5cm)



12 Drawer right x 3 (34 x 14.5cm)



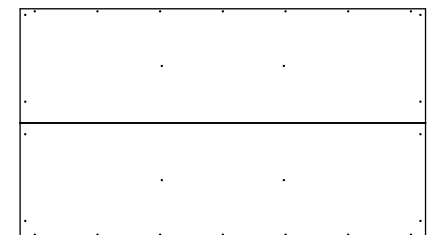
13 Drawer back x 3 (29.6 x 14.4cm)



14 Drawer bottom x 3 (33.8 x 30.6cm)



15 Foot x 2 (7.2 x 6cm)



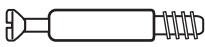







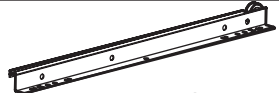
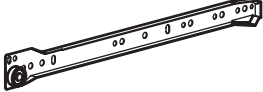

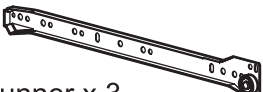


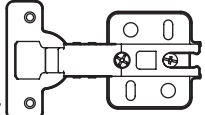


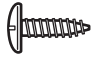


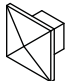
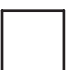
16 Back (119.6 x 67.3cm)



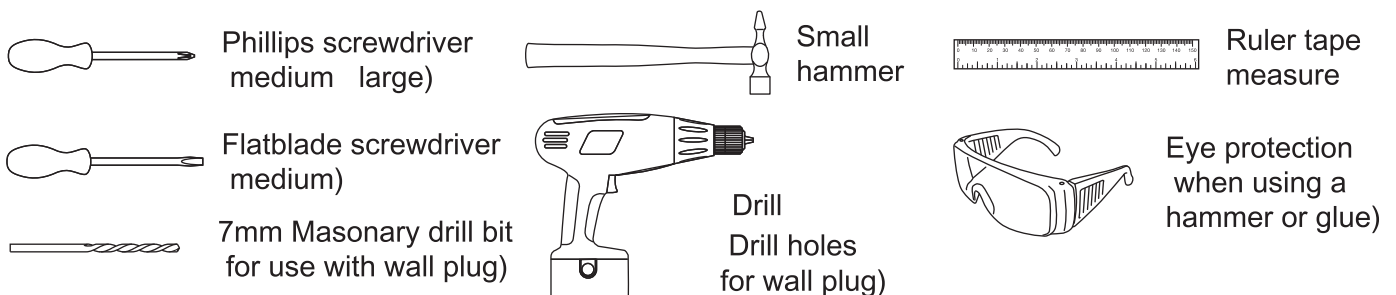
Components - Fittings

Please check you have all the fittings listed below

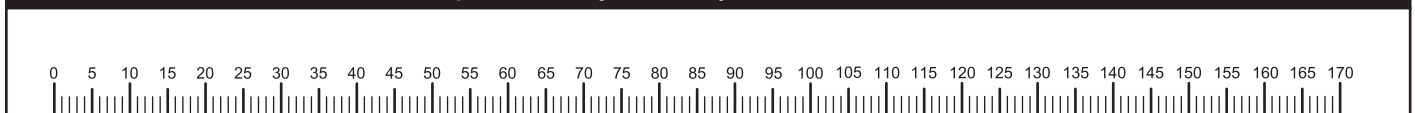
Note The quantities below are the correct amount to complete the assembly. In some cases more fittings may be supplied than are required.

A  Locking Pin x 29	B  15mm Locking nut x 17	C  12mm Locking nut x 12
D  Dowel 30mm x 6	E  12mm Screw x 30	F  38mm Screw x 12
G  25mm Screw x 5	H  15mm Screw x 48	I  Left drawer runner x 3
J  Left side runner x 3	K  Right drawer runner x 3	L  Right side runner x 3
M  Shelf support x 8	N  45mm Screw x 6	O  Door Bracket x 4
P  Wall plug x 2	Q  Wall strap x 2	R  15mm Screw x 2
S  25mm Screw x 2	T  Dowel 50mm x 12	U  Knob x 5
V  Foot pad x 6		

Tools required



Ruler Use this ruler to help correctly identify the screws



Assembly Instructions

Step 1

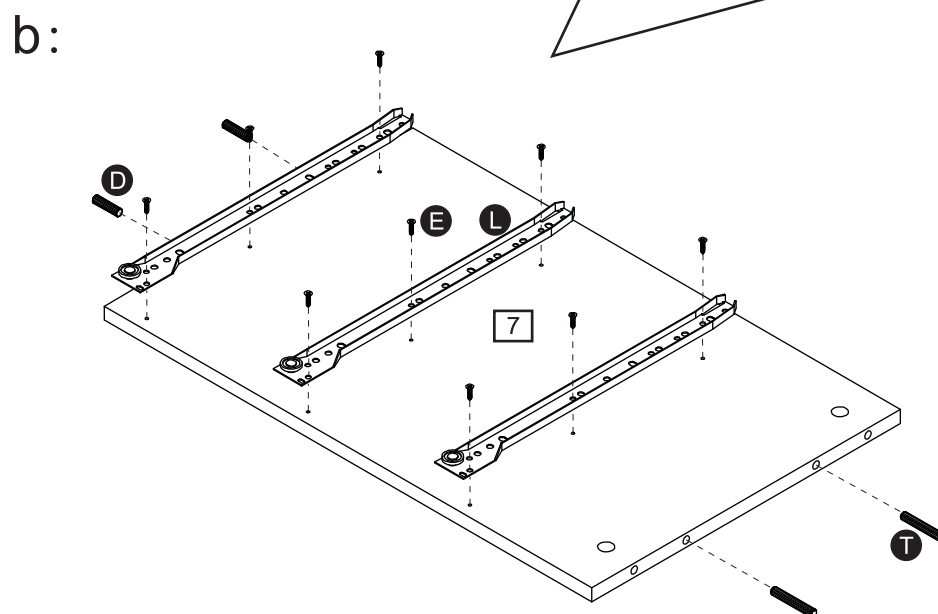
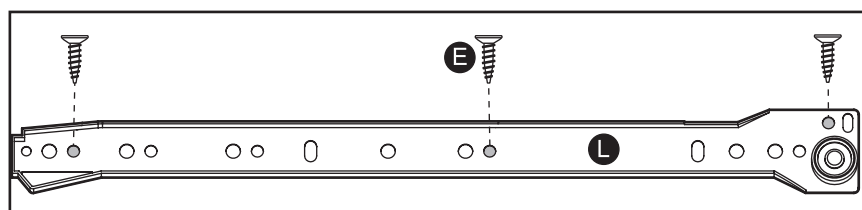
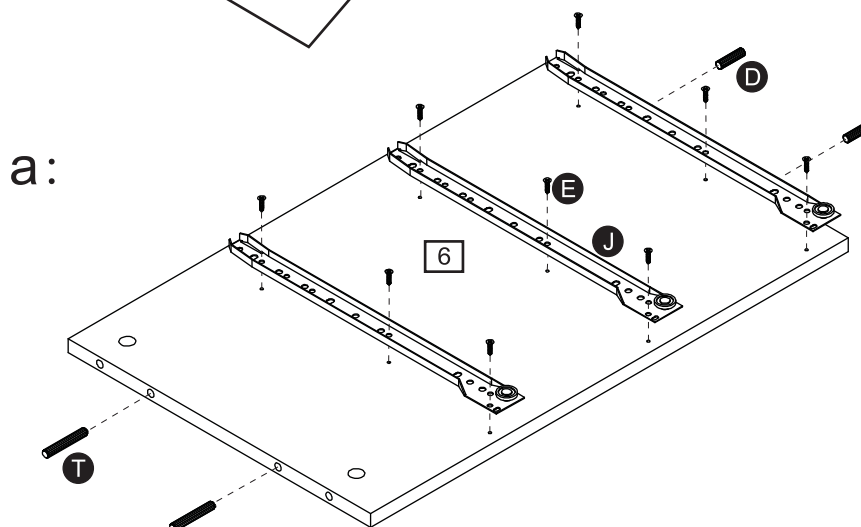
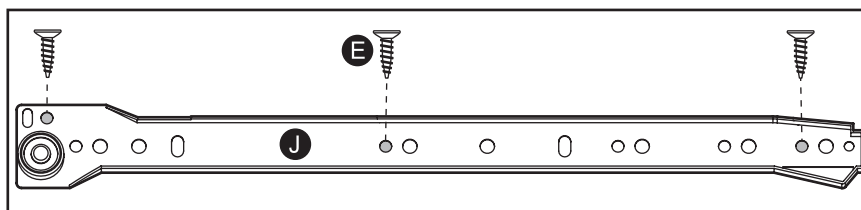
Fitting the Runners

Note: Assemble on a soft level surface or on the original packing material to avoid damaging the unit or your floor.

Note: It would be useful to ask someone to help you at this stage.

a: Use 12mm Screws **E** to fix Runners **J** onto Left Middle panel **6**. Insert 50mm Dowel **T** and 30mm Dowel **D** into Left Middle panel **6**.

b: Use 12mm Screws **E** to fix Runners **L** onto Right Middle panel **7**. Insert 50mm Dowel **T** and 30mm Dowel **D** into Right Middle **7**.



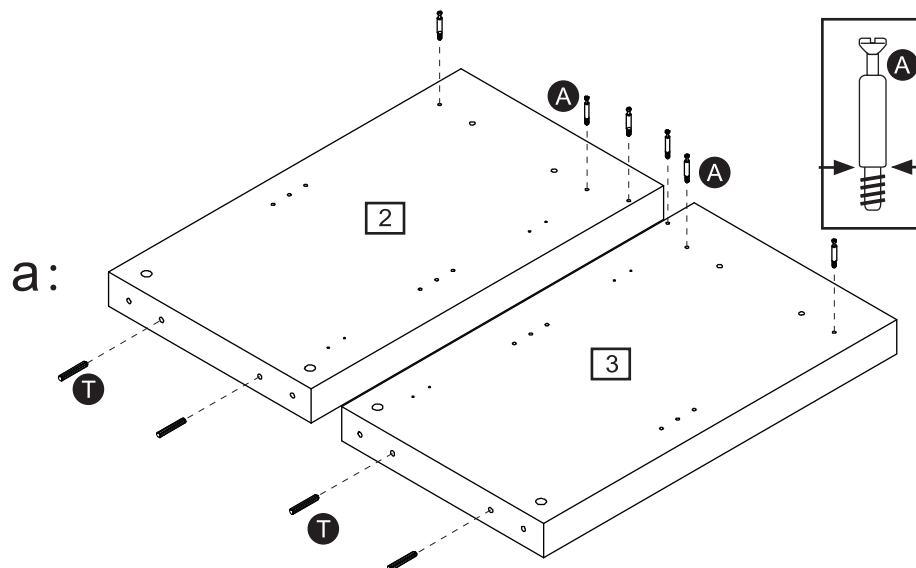
Assembly Instructions

Step 2

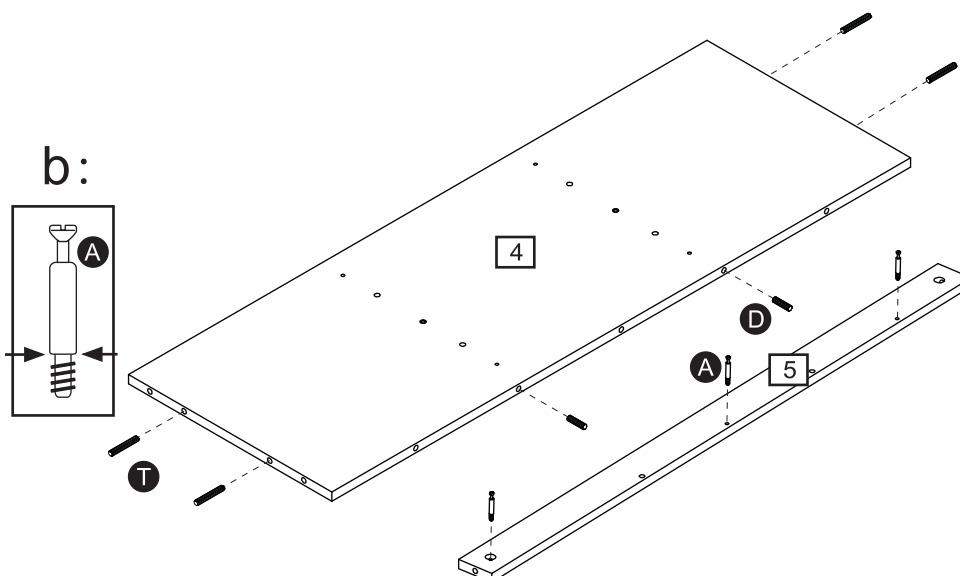
Fitting lock pin

Note: It would be useful to ask someone to help you at this stage.

a: Screw the Locking pin **A** onto Left side **2** and Right side **3**.
Insert 50mm Dowel **T** into the Right side **3** and Left side **2**.



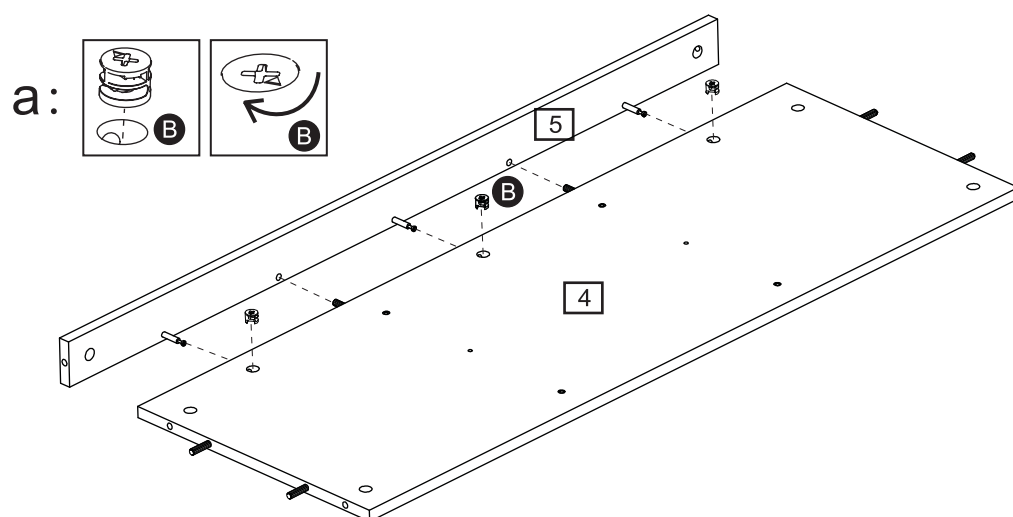
b: Screw the Locking pin **A** onto Front Apron **5**.
Insert 50mm Dowel **T** and 30mm Dowel **D** into the Bottom **4**.



Step 3

Fitting front and bottom

a: Attach the Front apron **5** onto the Bottom **4** with Locking nut **B** to tighten.



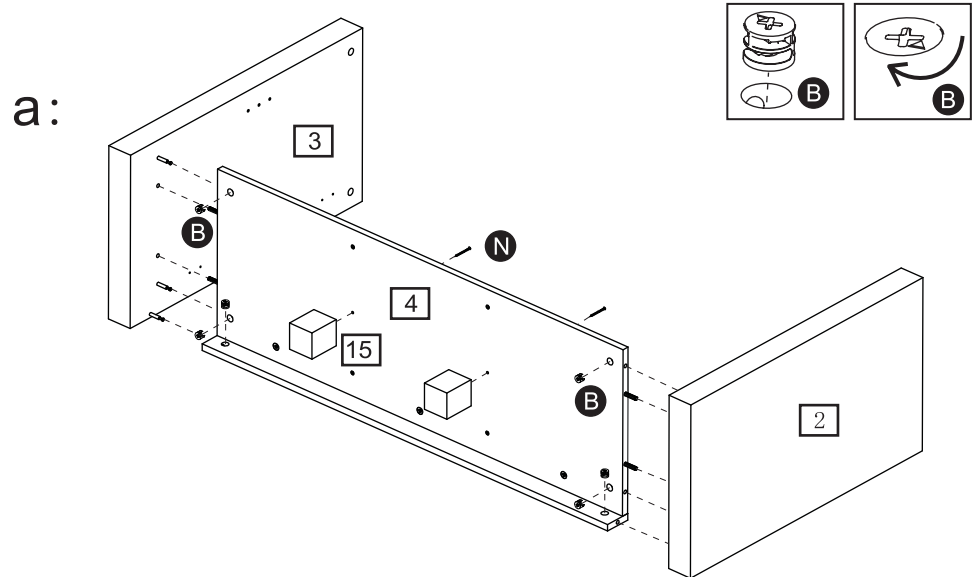
Assembly Instructions

Step 4

Fitting Side panel

Note: It would be useful to ask someone to help you at this stage.

a: Attach the Left side **2** and Right side **3** onto the Bottom **4** with Locking nut **B** to tighten. Use 45mm Screw **N** to fix Foot **15**

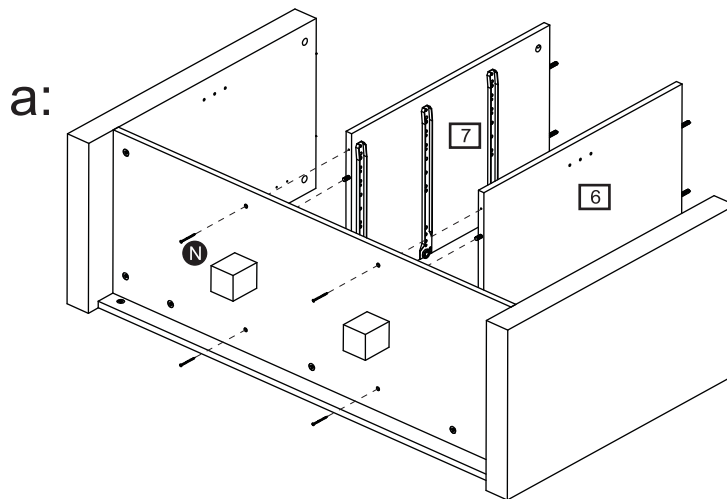


Step 5

Fitting Middle panel

Note: It would be useful to ask someone to help you at this stage.

a: Attach the Left Middle **6** and Right Middle **7** onto the Unit with 45mm Screw **N** to tighten.



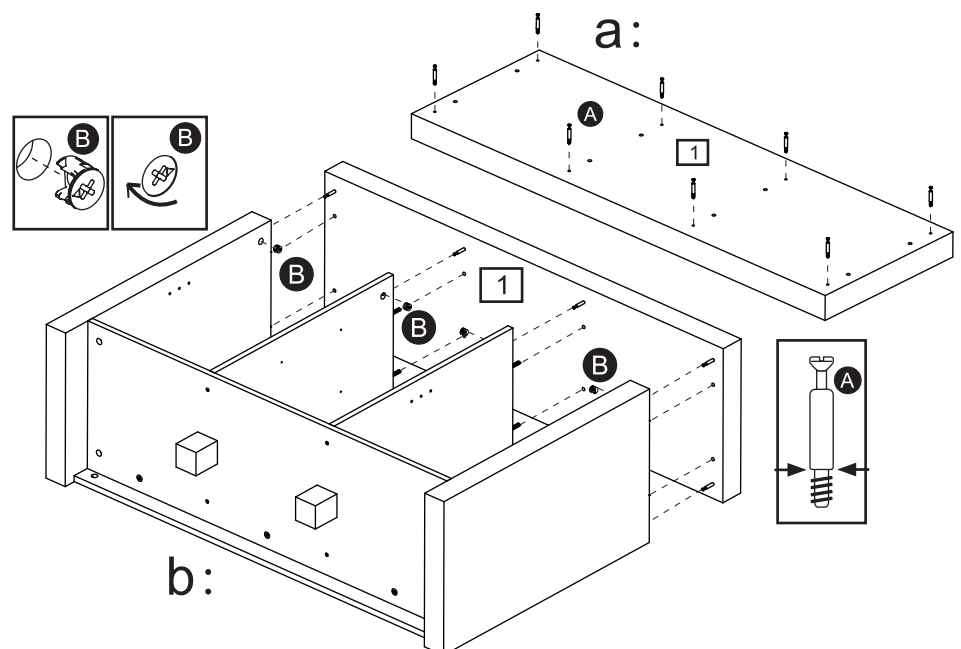
Step 6

Fitting Top and to Unit

Note: It would be useful to ask someone to help you at this stage.

a: Screw the Locking pin **A** onto Top **1**.

b: Attach the Top **1** onto the Unit with Locking nut **B** to tighten.



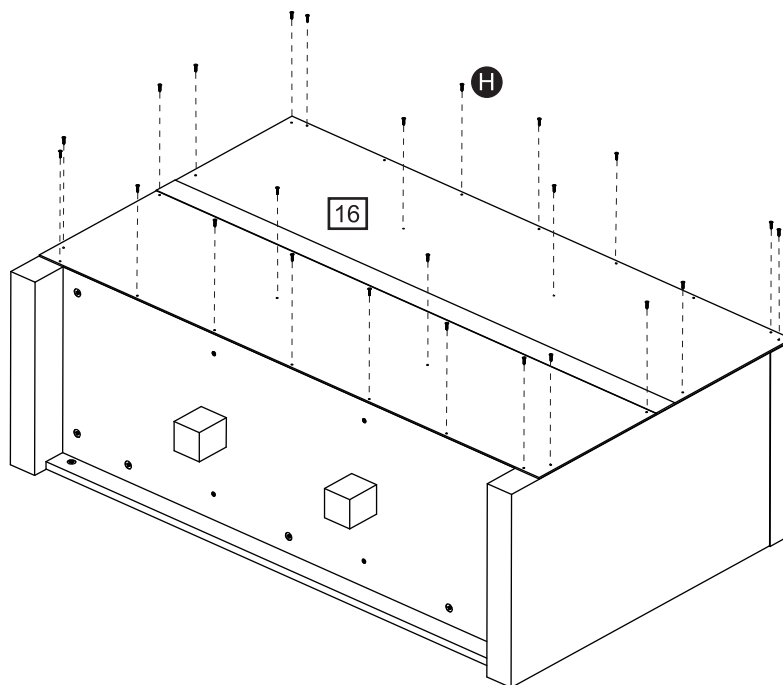
Assembly Instructions

Step 7

Fitting back.

a: Use 15mm Screws **H** to fix Back panel **16** onto the unit.

a:

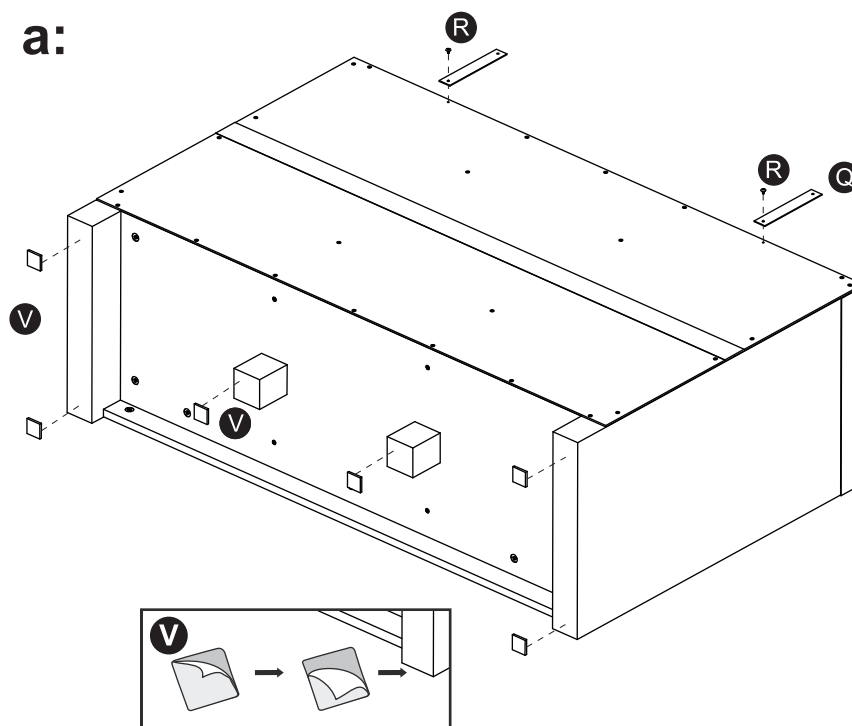


Step 8

Fitting foot pad

a: Stick Foot pad **V** onto the unit.
Use 15mm Screw **R** to fix wall strap **Q** onto the Unit.

a:



Assembly Instructions

Step 9

Fitting drawers

a: Use 12mm Screws **E** to fix Left drawer runner **I** onto the Drawer left **11**.

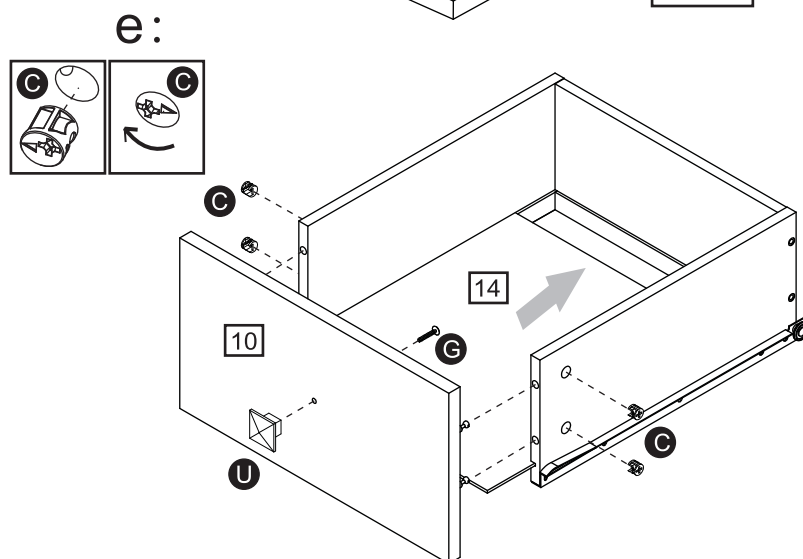
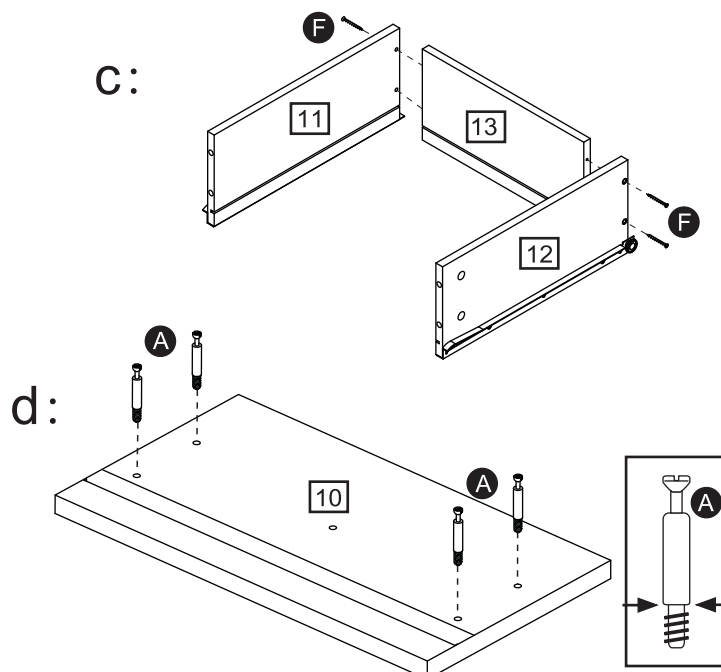
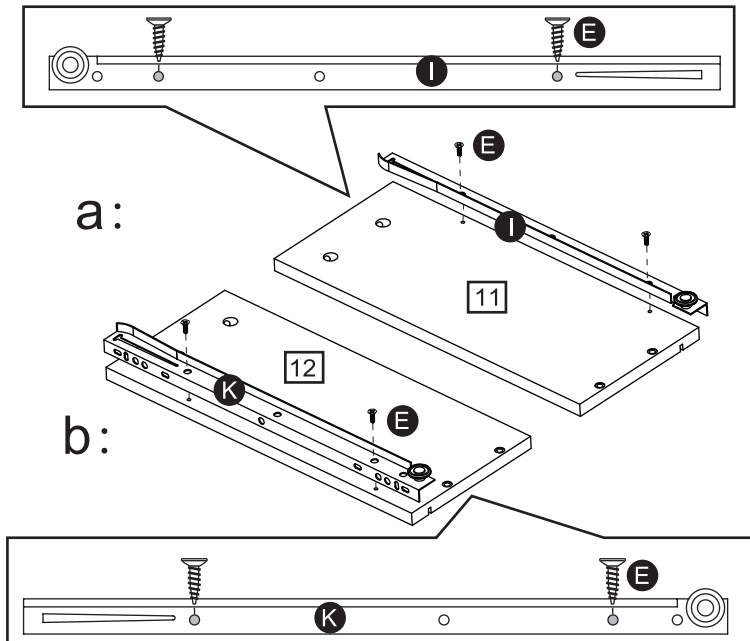
b: Use 12mm Screws **E** to fix Right drawer runner **K** onto the Drawer Right **12**.

c: Use 38mm Screws **F** to fix Drawer left **11** Drawer right **12** onto Drawer back **13**.

d: Screw in Locking pins **A** into Drawer front **10**.

e: Slide Drawer bottom **14** into the unit.
Use 12mm Locking nuts **C** to fix Drawer front **10** onto the unit.
Use 25mm Screws **G** to fix Drawer knob **U** onto the unit.

Repeat a to e with other 2 drawers.



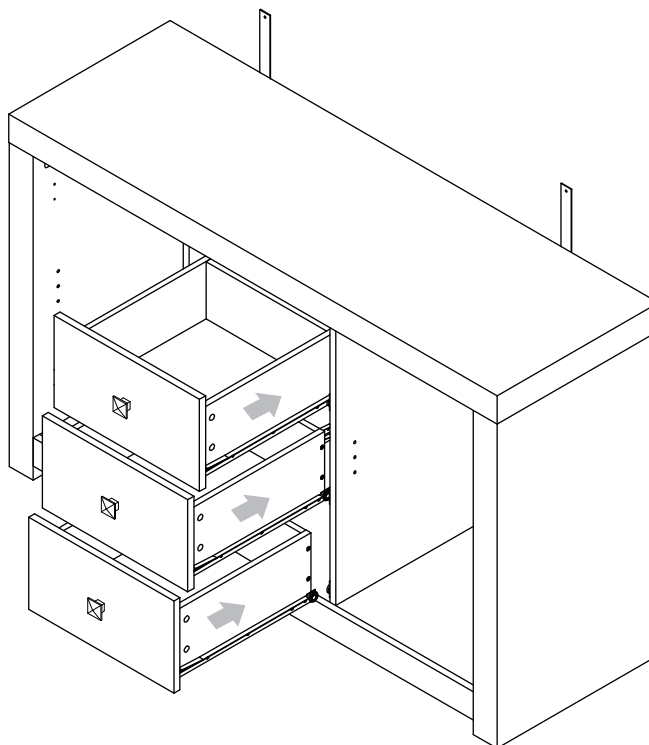
Assembly Instructions

Step 10

Fitting drawers

a: Carefully slide drawers into the unit. Make sure the front part and rear part of runners are engaged properly.

a:



Step 11

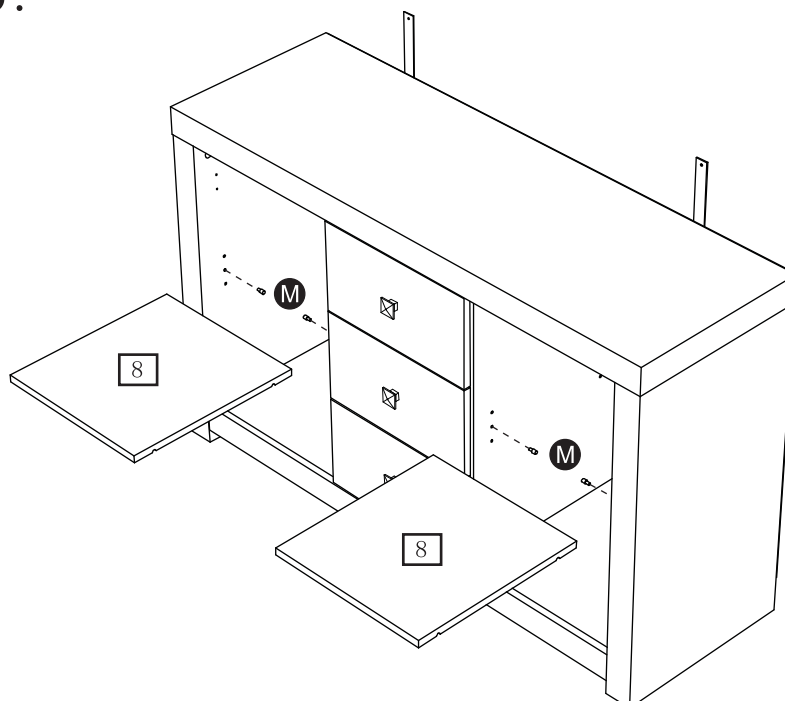
Fitting Shelf.

b: Insert Shelf supports **M** into the holes in the unit.

Note Adjust the shelf supports to the desired height.

Carefully insert the shelf **8** into the unit.

b:



Assembly Instructions

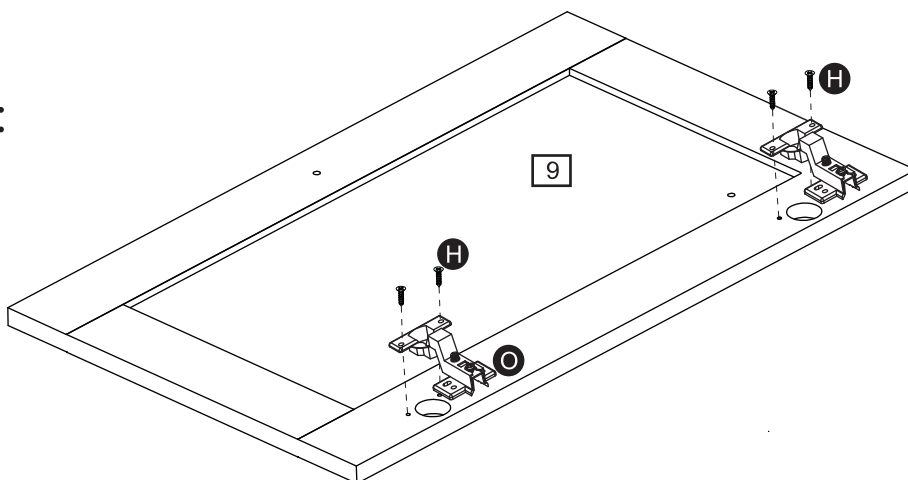
Step 12

Fitting doors Bracket.

Note: It would be useful to ask someone to help you at this stage.

a: Use 15mm Screws **H** to fix Door brackets **O** onto Doors **9**.

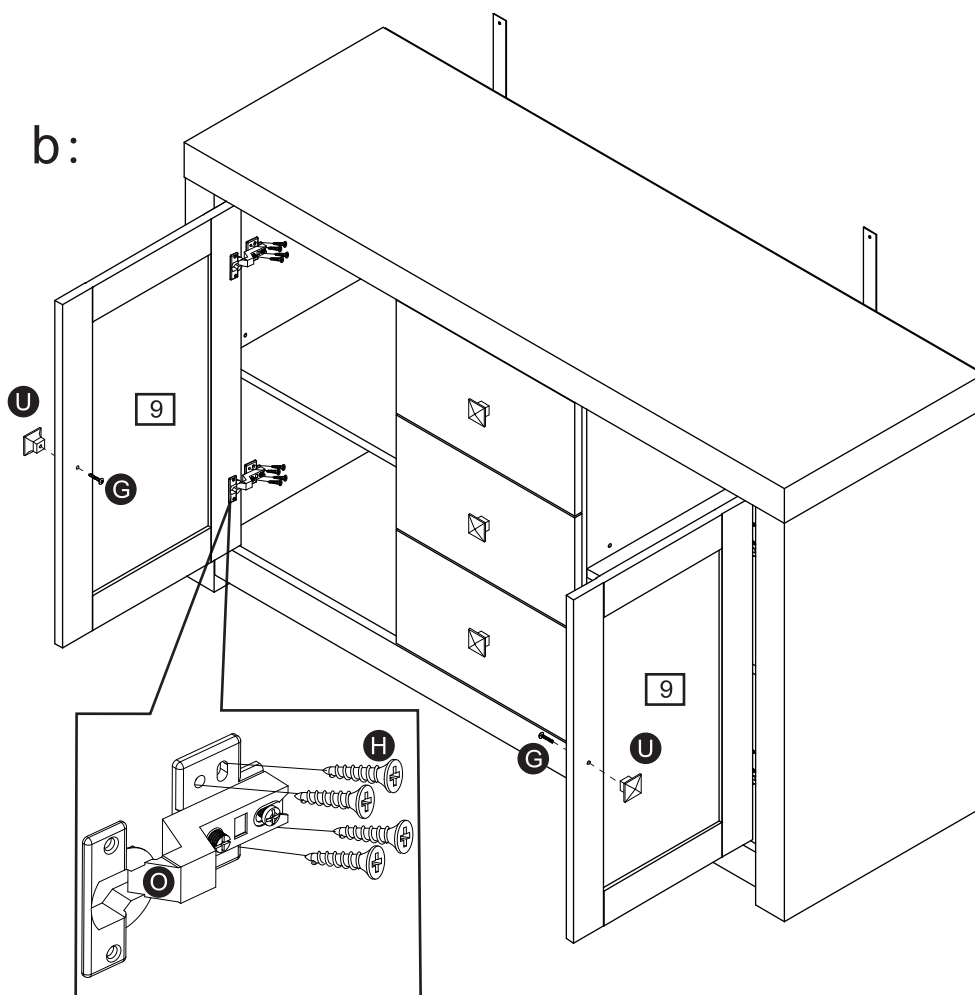
a:



b: Use 15mm Screws **H** to fix Doors **9** onto the unit.

Use 25mm Bolts **G** to fix Knobs **U** onto Doors **9**.

b:



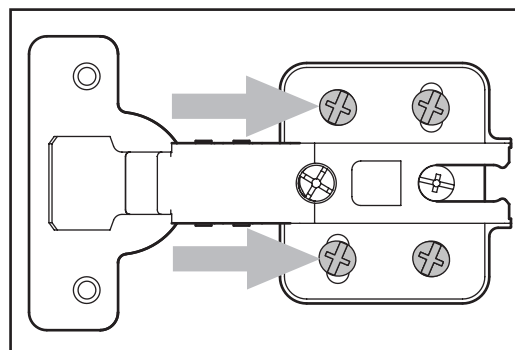
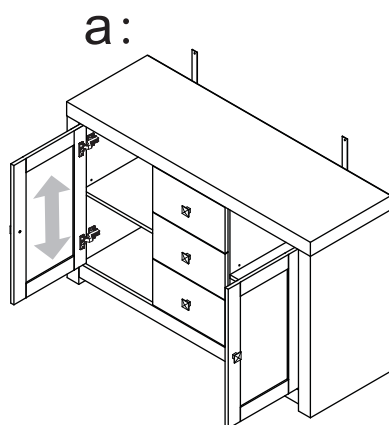
Assembly Instructions

Step 13

Hinge adjustment

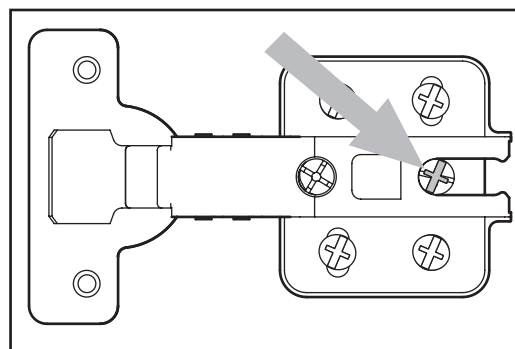
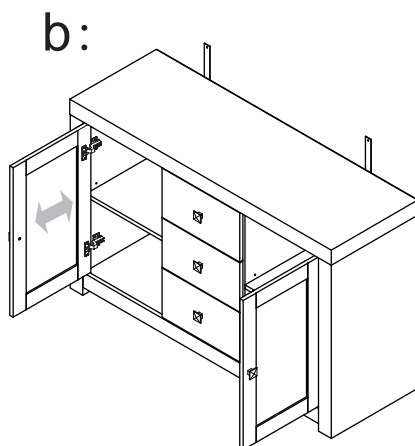
a: To move door up or down: loosen screws shown and move doors to suit.

Re-tighten screws.



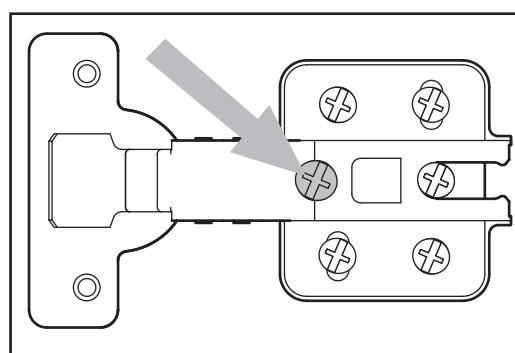
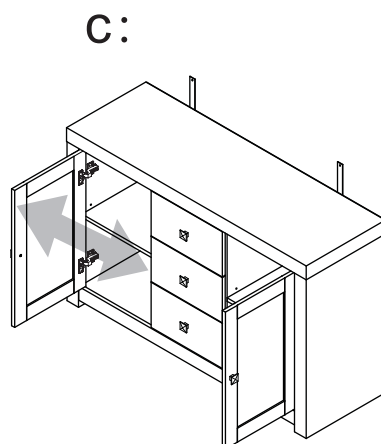
b: To move door in or out: loosen screws shown and move doors to suit.

Re-tighten screws.



c: To move door left or right: loosen screws shown and move doors to suit.

Re-tighten screws.



Assembly is complete.

If you need help or have damaged or missing parts, call the Customer Helpline : 08456 400800

Assembly Instructions

Step 14

Fixing to wall

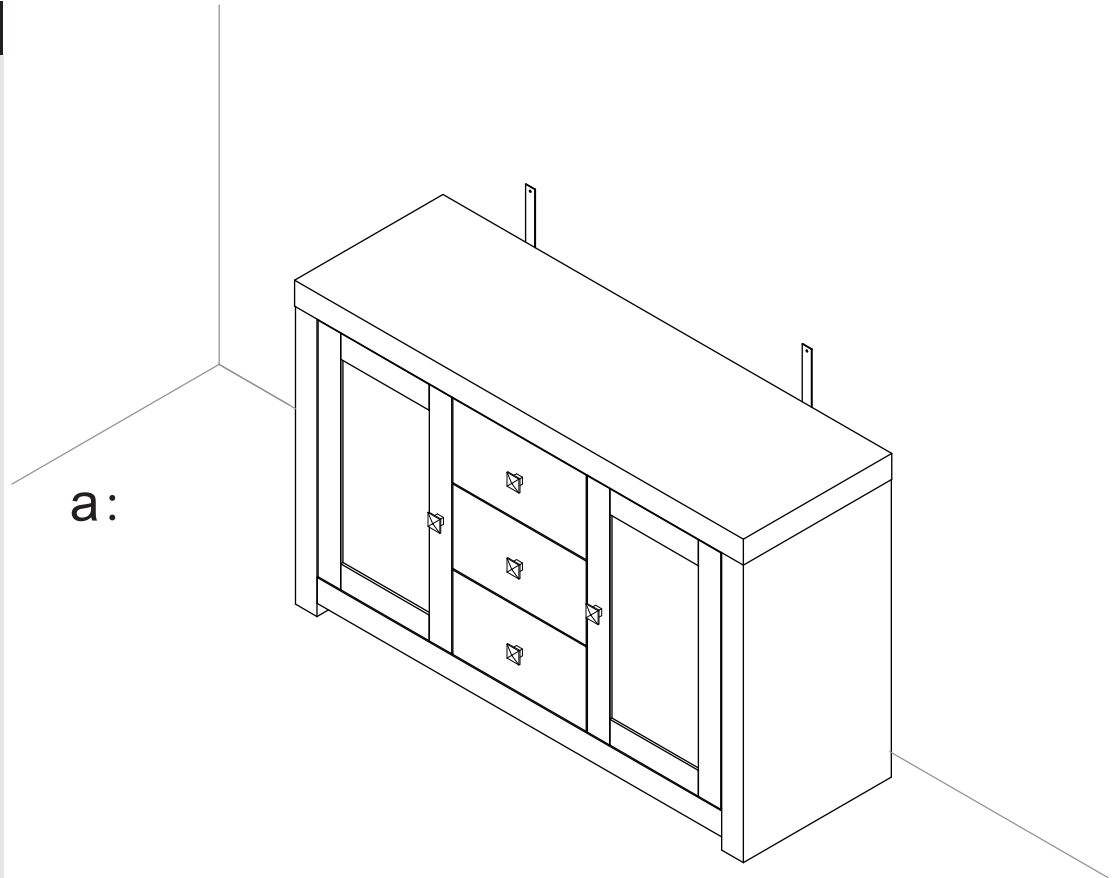
Note It would be useful to ask someone to help you at this stage.

It is strongly recommended that the unit is attached to the wall using Wall strap **Q**.



Important When drilling into walls always check that there are no hidden wires or pipes etc. Make sure that the screws and wall plugs supplied are suitable for supporting the unit. Consult a qualified tradesperson if you are not sure.

a: With help, place the unit in the intend position.

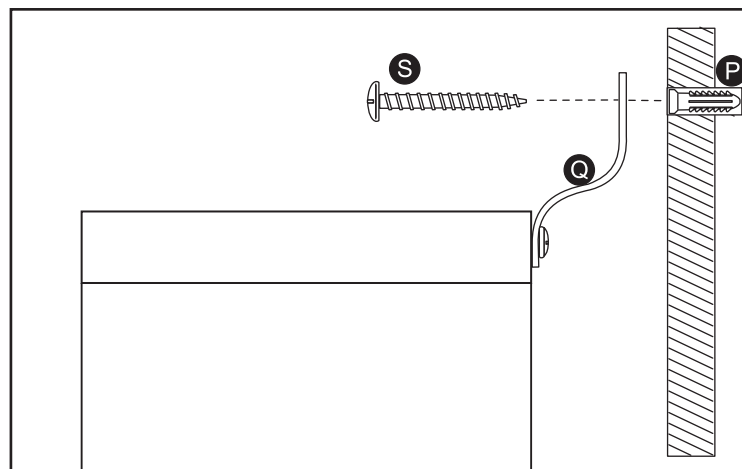


b: Drill a hole in the wall at an appropriate position and insert Wall plug **P** (Masonry walls only).

To secure the unit, fix Wall strap **Q** to the wall using Screw **S** (Masonry walls only).

Assembly is complete.

b:



If you need help or have damaged or missing parts, call the Customer Helpline : 08456 400800

A Guide to - Wall Mounting & Fixings

Important note:

If plastic wall plugs are supplied with your product:



- these are only suitable for use in masonry walls.

If you are in any doubt about the correct wall plugs for your wall, seek professional advice.


Failure of the product due to using incorrect fixings is the responsibility of the installer.



Important: When drilling into walls always check that there are no hidden wires or pipes etc.

Make sure that the screws and wall plugs being used are suitable for supporting your unit. Consult a qualified tradesperson if you are unsure.

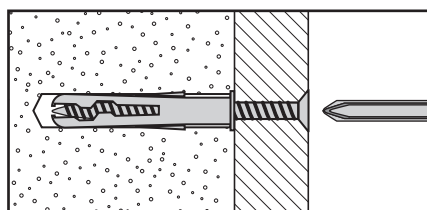
Hints:

- 1: General rule:**  Always use a larger screw and wall plug if you are not sure.
- 2: Ensure you use the recommended drill bit to match the wall plug and hole size.
- 3: Ensure you drill the hole horizontally, do not force the drill or enlarge the hole.
- 4: Take extra care when drilling high walls, ceilings and ceramic tiles. Ensure wall plugs are inserted beyond the thickness of the ceramic tiles to avoid the tiles splitting or cracking.
- 5: Ensure wall plugs are well fitted and are a tight fit in the drilled hole.

Types of walls

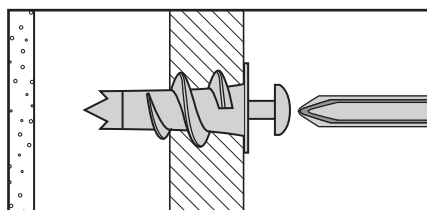
You can use one of the following types of wall plug if your walls are made of brick, breeze block, concrete, stone or wood.

No.1 "General Purpose" wall plug



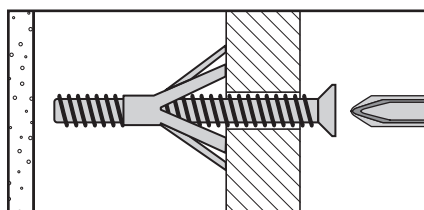
Generally aerated blocks should not be used to support heavy loads, use a specialist fitting in this case. For light loads, general purpose wall plugs can be used.

No.2 "Plasterboard" wall plug



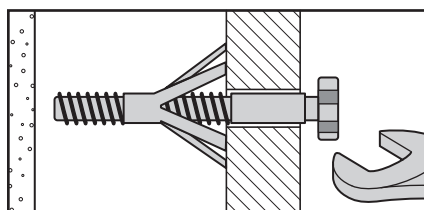
For use when attaching light loads on to plasterboard partitions.

No.3 "Cavity Fixing" wall plug



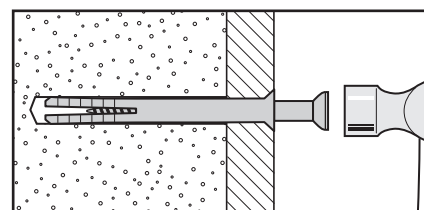
For use with plasterboard partitions or hollow wooden doors.

No.4 "Cavity Fixing-Heavy Duty" wall plug



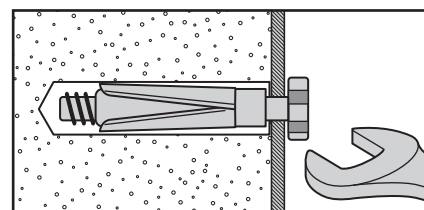
For use when fitting or supporting heavy loads such as shelving, wall cabinets and coat racks.

No.5 "Hammer Fixing" wall plug



For use with walls stuck with plasterboard. The hammer fixing allows it to be fixed to the wall rather than the plasterboard. Always check the fixing is secure to the retaining wall.

No.6 "Shield Anchor" wall plug Heavy loads



For use with heavier loads such as TV & HiFi speakers and satellite dishes etc.



Care & Maintenance

Safety: Always check the fitting and location to ensure your safety in and around the home.

Fitting: From time to time check the fitting to ensure the wall plugs or screws do not become loose.