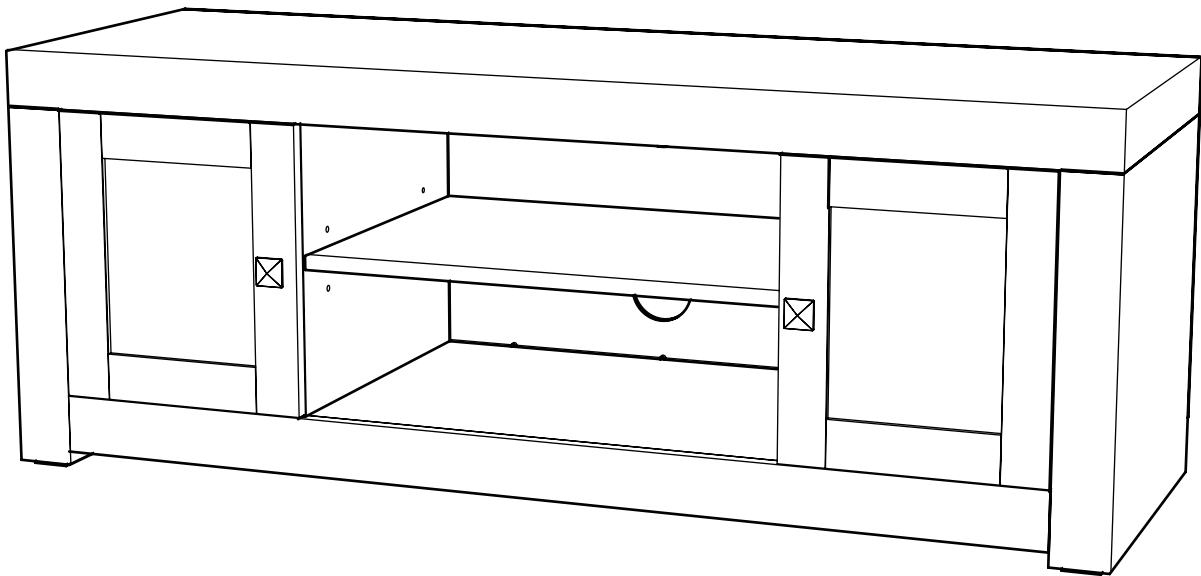


JAMAL TV UNIT

Assembly Instructions - Please keep for future reference

609/7189

609/7213



Dimensions

Width - 120cm

Depth - 40cm

Height - 45cm

Important - Please read these instructions fully before starting assembly

If you need help or have damaged or missing parts, call the **Customer Helpline: 08456 400800**



Safety and Care Advice

Important - Please read these instructions fully before starting assembly

- Check you have all the components and tools listed on pages 2 and 3.
- Remove all fittings from the plastic bags and separate them into their groups.
- Keep children and animals away from the work area, small parts could choke if swallowed.
- Make sure you have enough space to layout the parts before starting.

- Do not stand on the panels, this could cause damage.
- Assemble the unit as close to its final position (in the same room) as possible.
- Assemble on a soft level surface to avoid damaging the unit or your floor.
- Parts of the assembly will be easier with 2 people.



- We do not recommend the use of power drill/ drivers **for inserting screws**, as this could damage the unit. Only use hand screwdrivers.
- Dispose of all packaging carefully and responsibly.
- **Warning:** The unit weighs approximately 28.3kgs. **Please lift with care.**

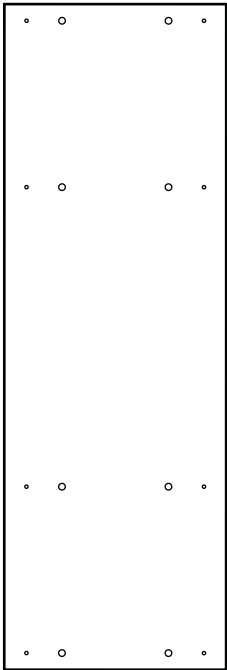
Care and maintenance

- Only clean using a damp cloth and mild detergent, do not use bleach or abrasive cleaners.
- From time to time check that there are no loose screws on this unit.
- This product should not be discarded with household waste. Take to your local authority waste disposal centre.

Components - Panels

If you have damaged or missing components, call the **Customer Helpline:08456 400800**

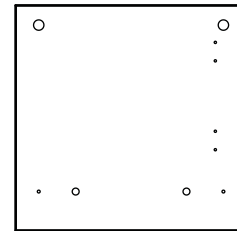
Please check you have all the panels listed below



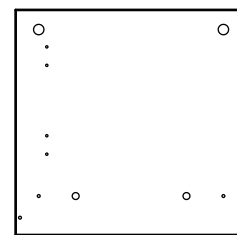
1 Top (120 x 39.7cm)



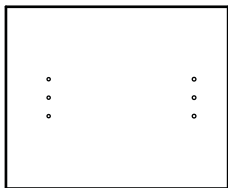
2 Bottom (108.2 x 38cm)



3 Right side (39.6 x 39cm)

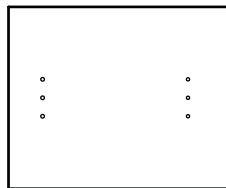


4 Left side (39.6 x 39cm)

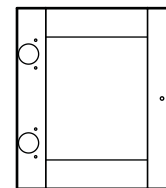


5 Right middle (38 x 30cm)

Front side
with banding
↔



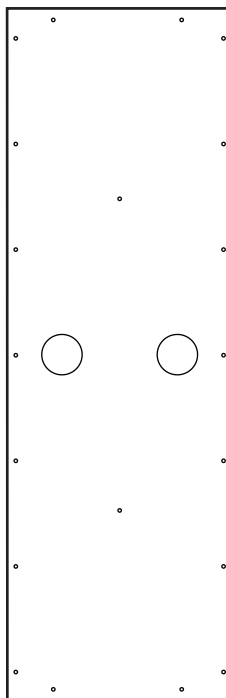
6 Left middle (38 x 30cm)



9 Door x 2 (30 x 29.4cm)



7 Front support (108.2 x 6cm)



8 Back (119.6 x 37.3cm)



10 Shelf (47.6 x 37.9cm)

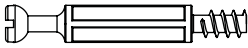




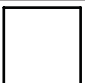
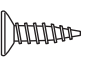
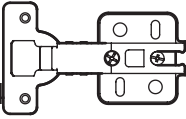





11 Foot x 2 (6 x 6 x 7.2cm)

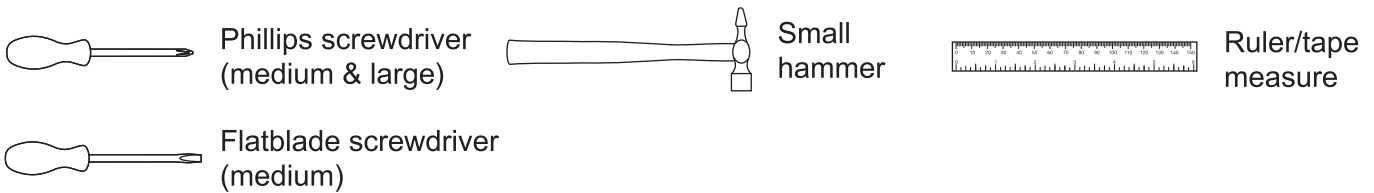
Components - Fittings

Please check you have all the fittings listed below

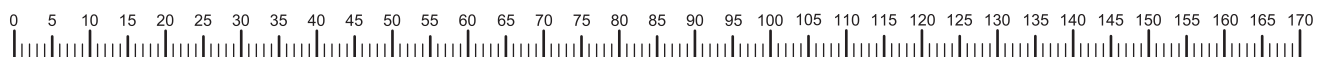
Note: The quantities below are the correct amount to complete the assembly. In some cases more fittings may be supplied than are required.

A  Locking pin x 17	B  Locking nut x 17	C  30mm Dowel x 6
D  50mm Dowel x 12	E  45mm Screw x 6	F  Foot pad x 6
G  15mm Screw x 44	H  Door Bracket x 4	I  Door knob x 2
J  25mm Bolt x 2	K  Self support x 4	

Tools required



Ruler - Use this ruler to help correctly identify the screws



Assembly Instructions

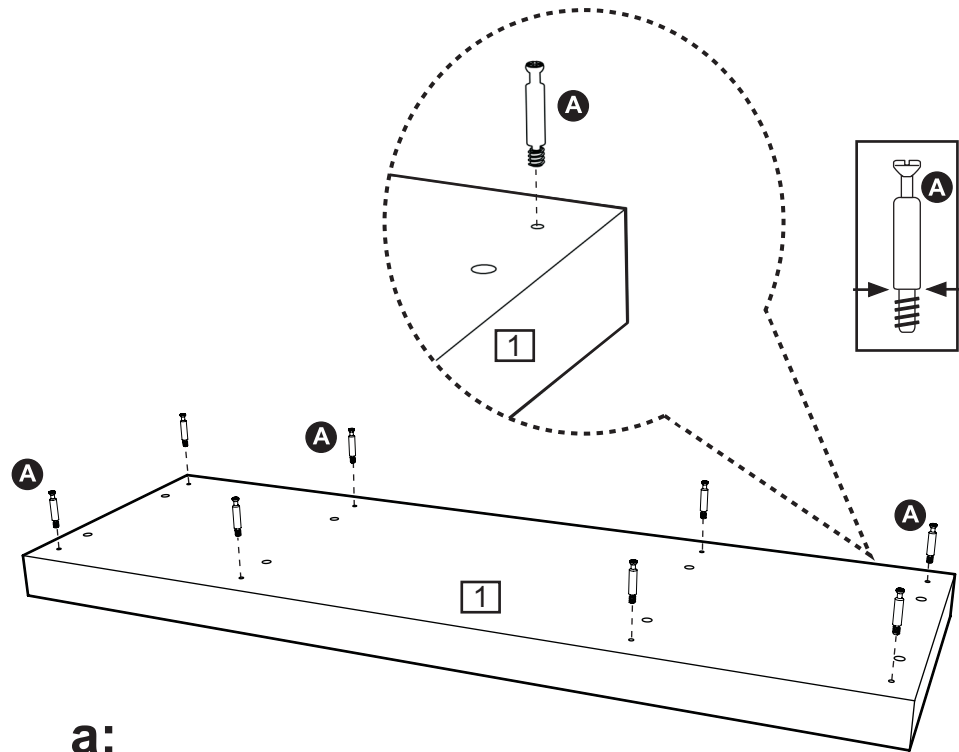
Step 1

Fitting lock pin

Note: Assemble on a soft level surface or on the original packing material to avoid damaging the unit or your floor.

Note: It would be useful to ask someone to help you at this stage.

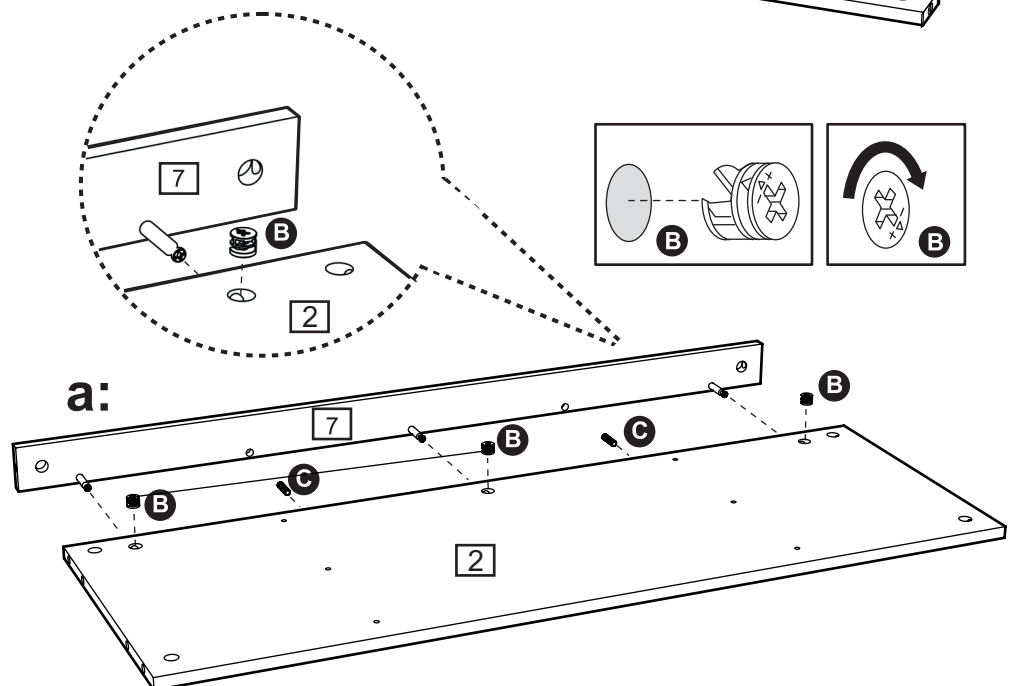
a: Screw the Lock pin **A** onto Top **1** and Right side **3** and Left side **4** and Front support **7**.



Step 2

Fitting front and bottom

a: First insert 30mm Dowels **C** into Bottom **2**. Attach the Front support **7** onto the Bottom **2** with Locking nut **B** to tighten.

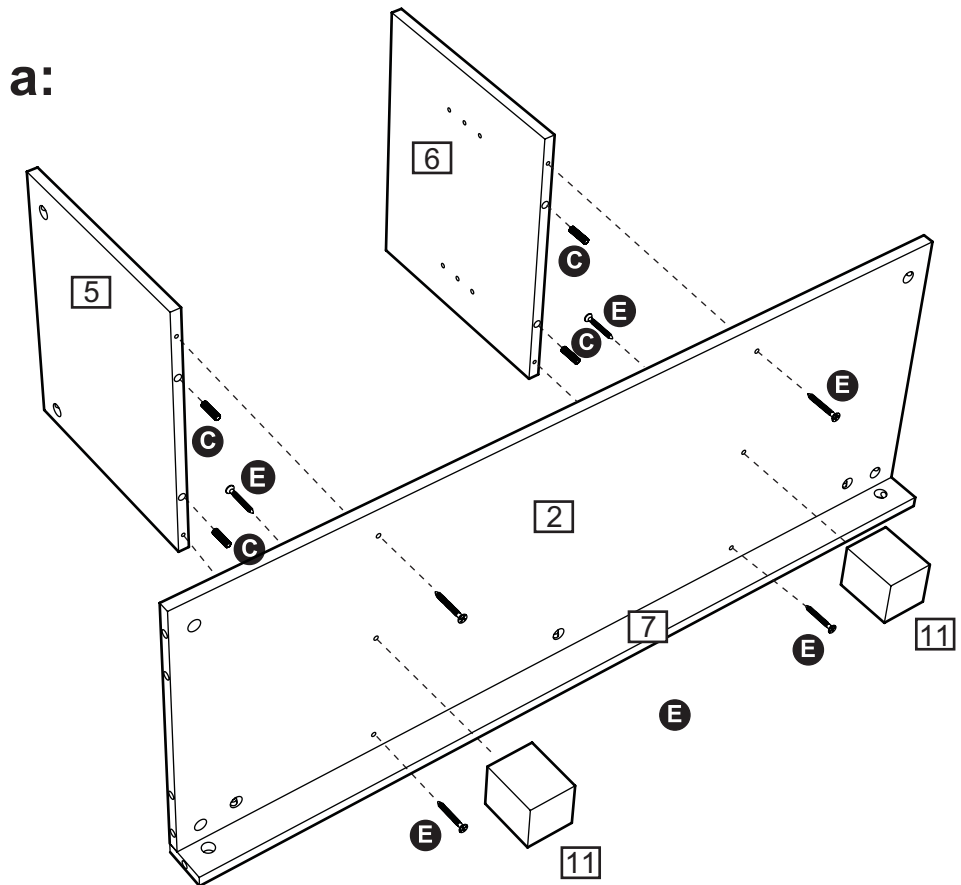


Assembly Instructions

Step 3

Fitting center and bottom and bottom support

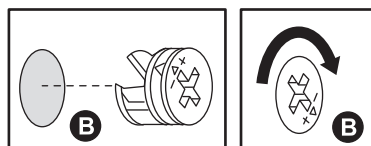
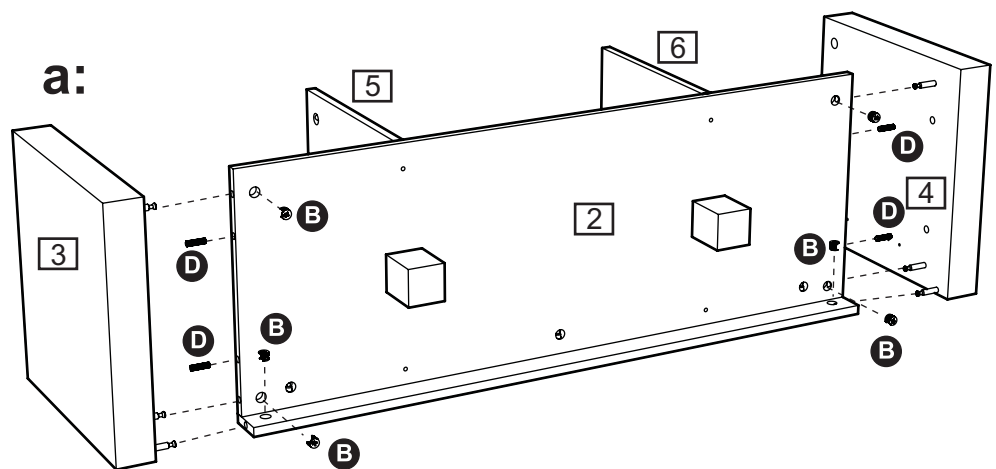
a: First Insert 30 mm Dowels **C** into Right middle **5** and Left middle **6**. Attach the Right middle **5** and Left middle **6** onto the Bottom **2** with 45mm Screw **E** to tighten. Use 45 mm Screw **E** to fix Foot **11**.



Step 4

Fitting right side and left side .

a: First Insert 50 mm Dowels **D** into Bottom **2**. Attach the Right side **3** and Left side **4** onto the unit with Locking nut **B** to tighten.

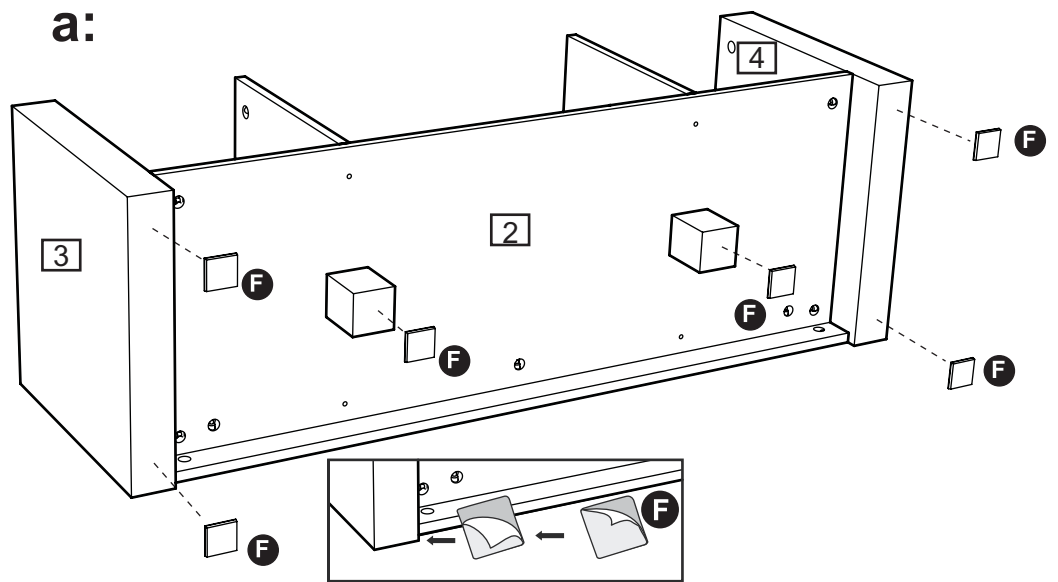


Assembly Instructions

Step 5

Fitting foot pad

a: Stick Foot pad **F** onto the unit.



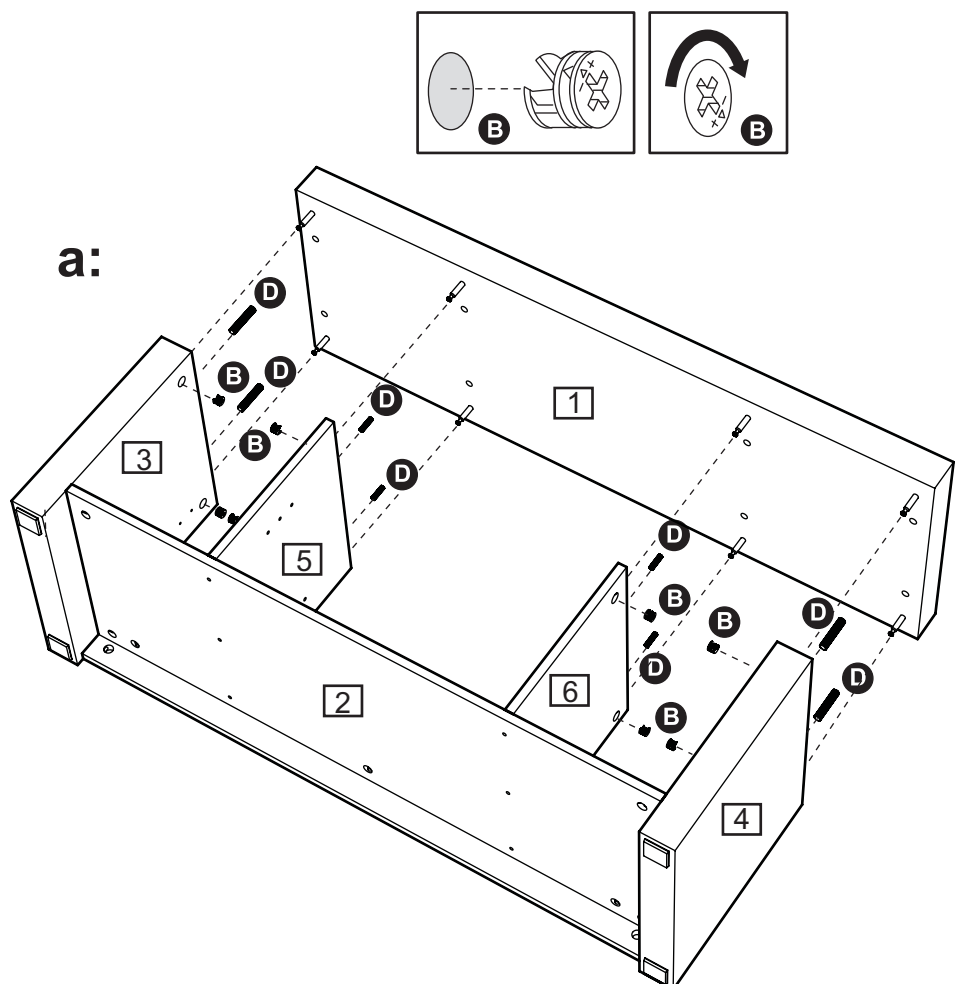
Step 6

Fitting the top panel

Note: It would be useful to ask someone to help you at this stage.

a: Insert 50mm Dowel **D** into Right side **3**, Left side **4**, Center right **5** and Center left **6**.

Use Locking nuts **B** to fix the Table top **1** onto the unit.

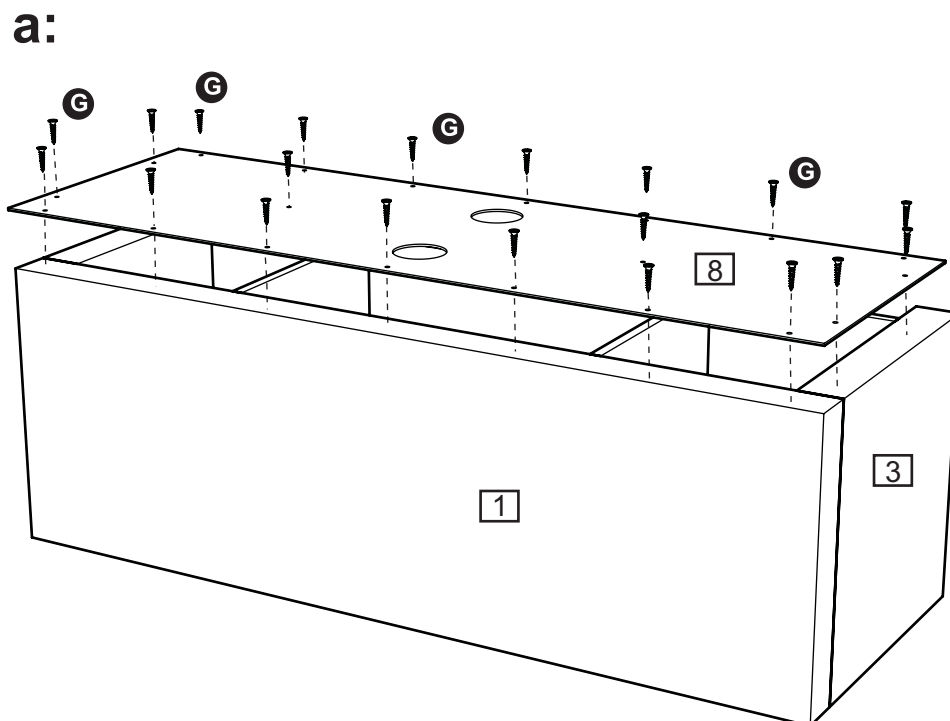


Assembly Instructions

Step 7

Fitting back.

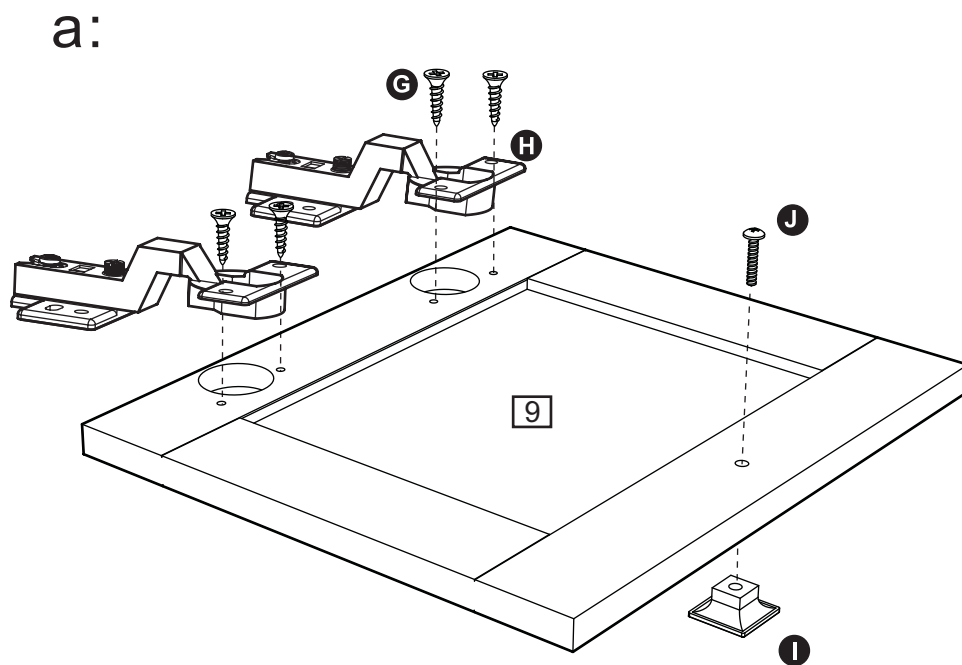
a: Use 15mm Screws **G** to fix Back panel **8** onto the unit.



Step 8

Fitting doors brackets and doors knobs.

a: Use 15mm Screws **G** to fix Door brackets **H** onto Doors **9**.
Use 25mm Bolt **J** to fix Knobs **I** onto Doors **9**.



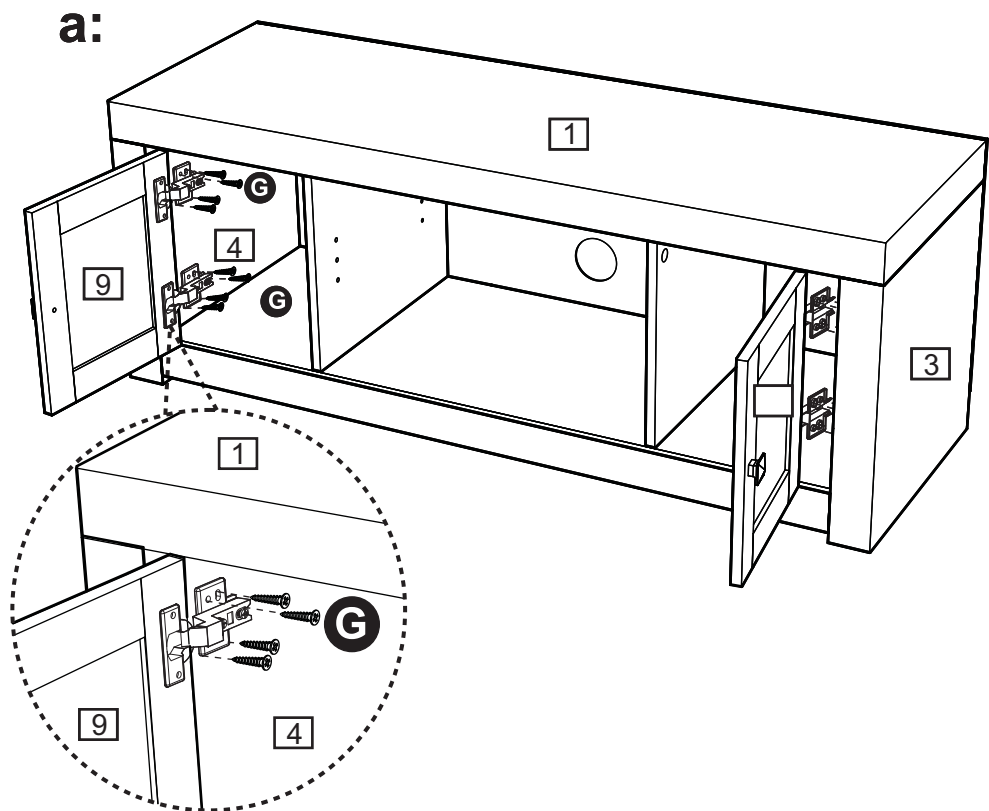
Assembly Instructions

Step 9

Finishing the door

Note: It would be useful to ask someone to help you at this stage.

a: Use Screws **G** to fix Doors **9** onto the unit.



Step 10

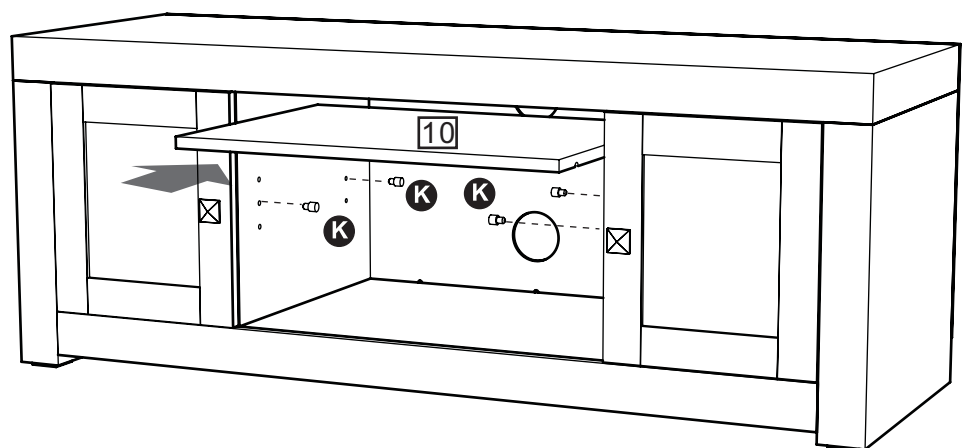
Fitting adjustable shelf.

a: Insert Shelf support **K** into the holes in the unit.

Note: Adjust the shelf supports to the desired height.

Carefully insert the shelf **10** in to the unit.

a:



Assembly is complete.

If you need help or have damaged or missing parts, call the **Customer Helpline : 08456 400800**