

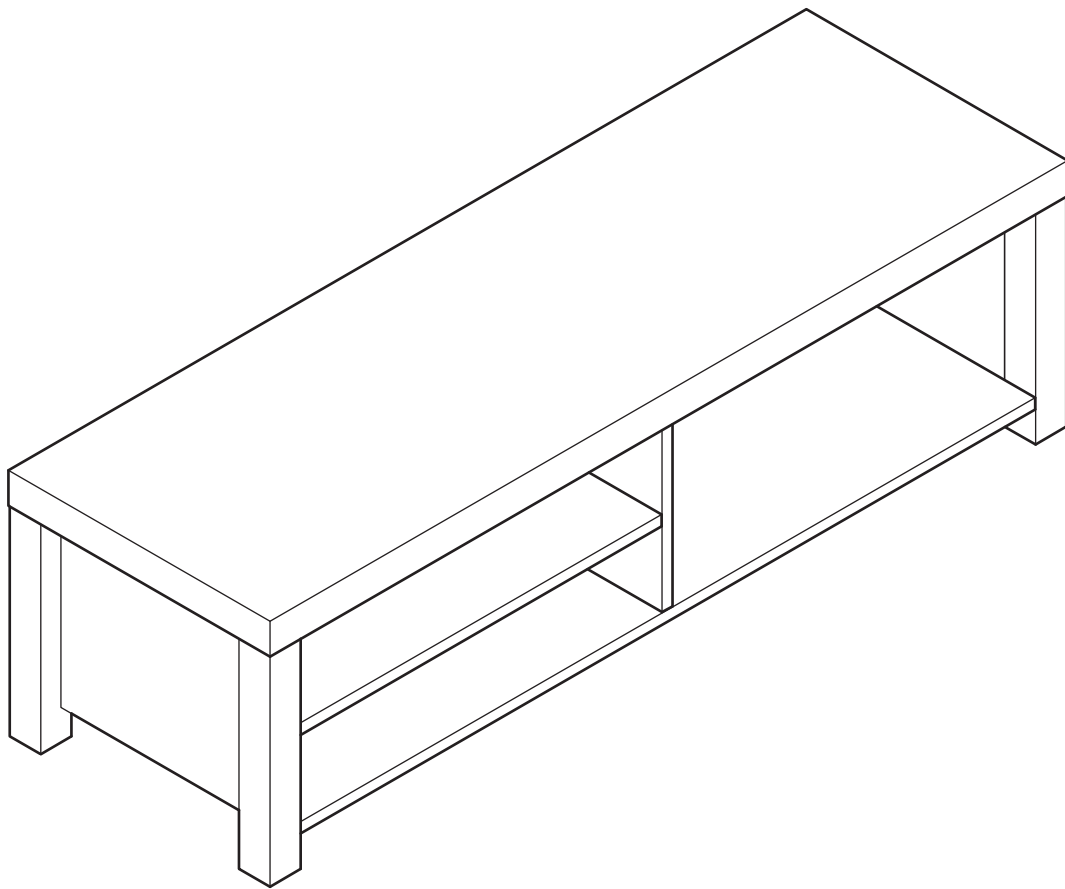
# New Charlie TV Unit

**Assembly Instructions** - Please keep for future reference

609/7024

609/7031

609/7048



## Dimensions

Width - 119 cm

Depth - 39 cm

Height - 34 cm

**Important** - Please read these instructions fully before starting assembly

If you need help or have damaged or missing parts, call the **Customer Helpline: 08456 400800**



# Safety and Care Advice

## Important - Please read these instructions fully before starting assembly

- Check you have all the components and tools listed on pages 2 and 3.
- Remove all fittings from the plastic bags and separate them into their groups.
- Keep children and animals away from the work area, small parts could choke if swallowed.
- Make sure you have enough space to layout the parts before starting.
- Do not use this item if any components are missing or damaged.

- Do not stand on the product, this could cause damage.
- Assemble the item as close to its final position (in the same room) as possible.
- Assemble on a soft level surface to avoid damaging the unit or your floor.
- Parts of the assembly will be easier with 2 people.



- We do not recommend the use of power drill/drivers **for inserting screws**, as this could damage the unit. Only use hand screwdrivers.
- Dispose of all packaging carefully and responsibly.
- **Note:** Only apply the glue once you are sure of the assembly.

## Glue safety - Take care when using glue, please follow the advice below

**Skin contact:** Remove contamination by washing with soap and water. This procedure should also be followed prior to eating and drinking.

**Eye contact:** Rinse immediately with clean water for 15 minutes and seek medical advice.

**If swallowed:** Seek medical advice immediately.

## Care and maintenance

• Only clean using a damp cloth and mild detergent, do not use bleach or abrasive cleaners.

• From time to time check that there are no loose screws on this unit.

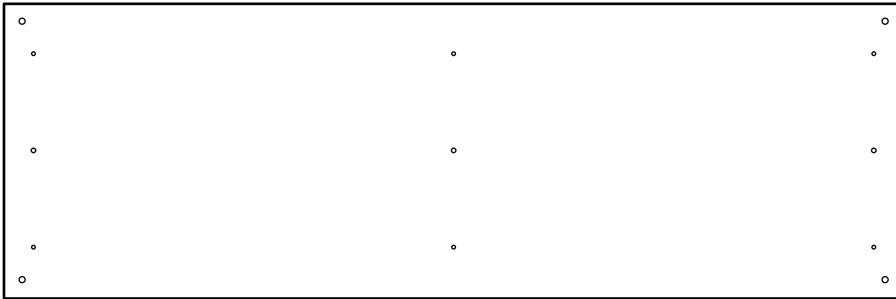
• This product should not be discarded with household waste. Take to your local authority waste disposal centre.

**Note:** if required the next page can be cut out and used as reference throughout the assembly. Keep this page with these instructions for future reference.

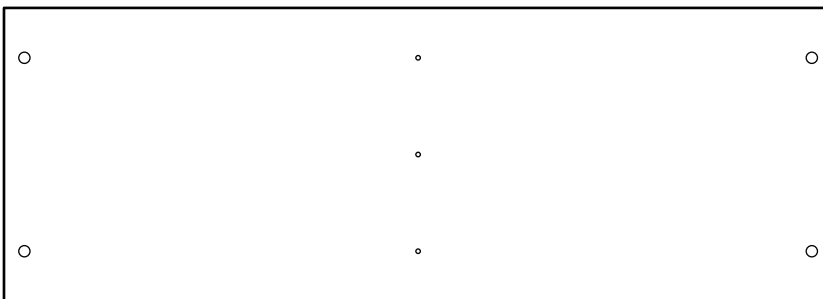
# Components - Panels

If you have damaged or missing components, call the **Customer Helpline: 08456 400800**

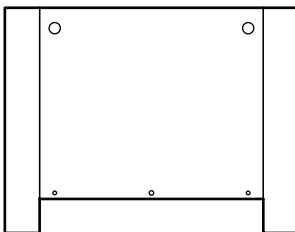
Please check you have all the panels listed below



**1** Top panel (119 x 39cm)

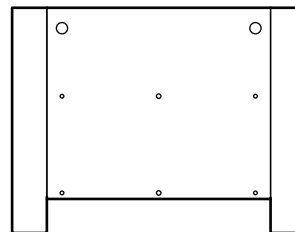


**2** Bottom panel (109.6 x 38.7cm)

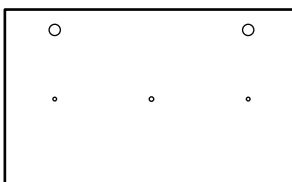


**3** Right side panel  
(38.8 x 29.8cm)

← Finished front edge →



**4** Left side panel  
(38.8 x 29.8cm)



**5** Middle panel  
(38.6 x 23.7cm)




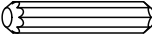
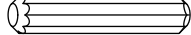


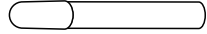


**6** Shelf (54 x 38.5cm)

# Components - Fittings

Please check you have all the fittings listed below


**Note:** The quantities below are the correct amount to complete the assembly. in some cases more fittings may be supplied than are required.

<b>A</b>  39mm Locking pin x 8	<b>B</b>  43mm Locking pin x 6	<b>C</b>  15mm Locking nut x 14
<b>D</b>  30mm Dowel x 7	<b>E</b>  40mm Dowel x 4	<b>F</b>  50mm Screw x 3
<b>G</b>  Feet x 1	<b>H</b>  Glue x 1	

## Tools required

 Phillips screwdriver  
(medium & large)

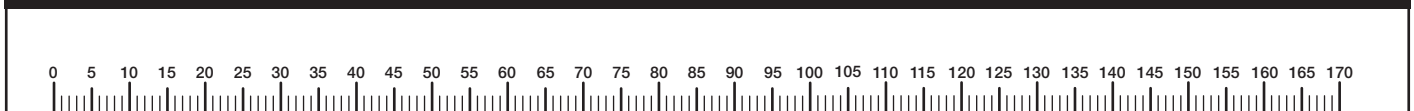
 Flatblade screwdriver  
(medium)

 Small  
hammer

 Ruler/tape  
measure

 Eye protection  
(when using a  
hammer or glue)

Ruler - Use this ruler to help correctly identify the screws



# Assembly Instructions

## Step 1

### Attaching left side panel

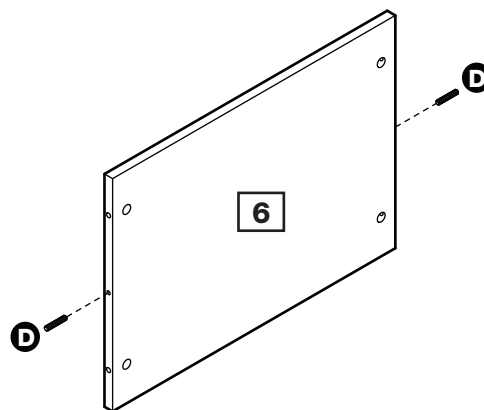
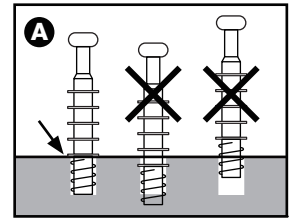
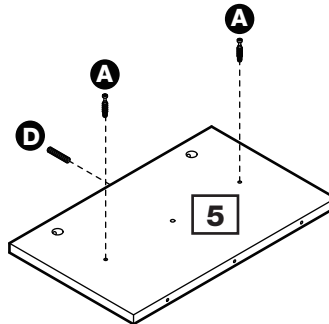
**a:** Insert Dowels **D** into the Middle panel **5** & Shelf **6**.

Screw Locking pins **A** into the Middle panel **5**.

**Note:** Insert Locking pins as far as shown.

**Do not over tighten.**

**a:**

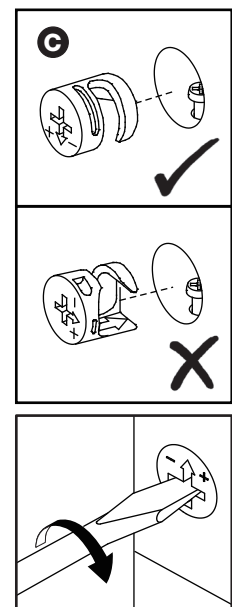
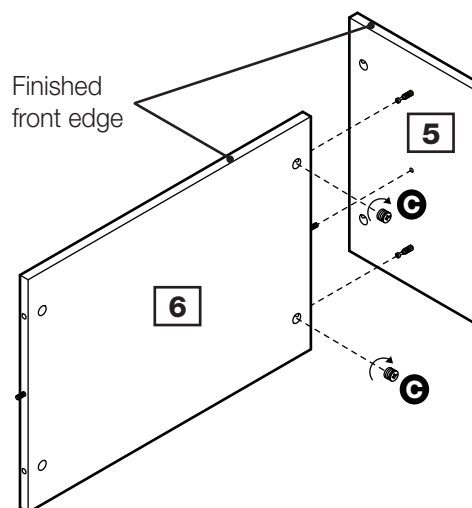


**b:** Position Middle panel **5** onto the Shelf **6**.

Insert 2 Locking nuts **C** into the Shelf **6**.

Use a screwdriver to turn Locking nuts **C** clockwise to lock.

**b:**



Continued on next page.

# Assembly Instructions

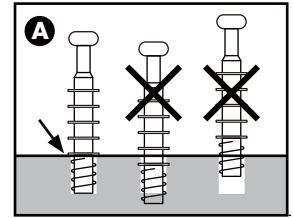
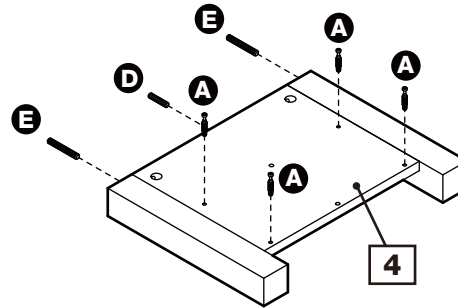
## Step 1 - continued

**c:** Insert Dowels **D** & **E** into the Left side panel **4**.

Screw Locking pins **A** into the Left side panel **4**.

**Note:** Insert Locking pins as far as shown.  
**Do not over tighten.**

**c:**

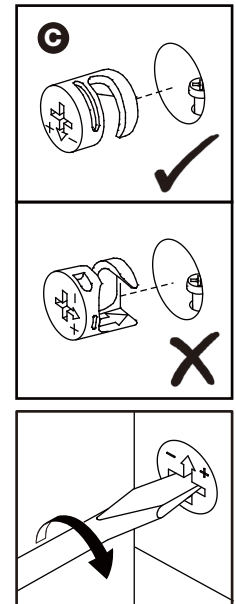
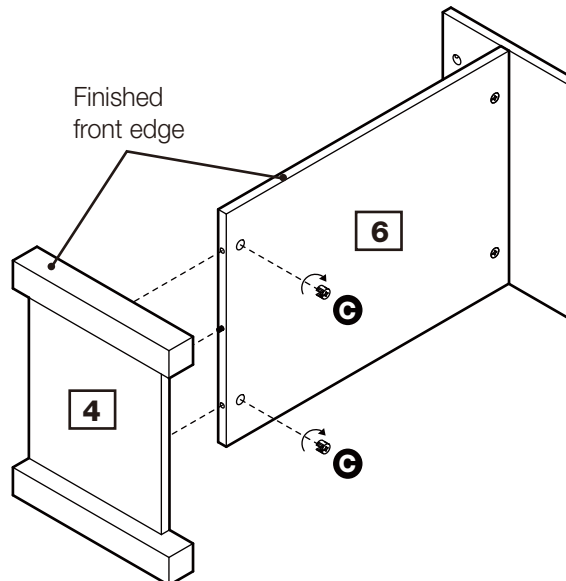


**d:** Position Left side panel **4** onto the Shelf **6**.

Insert 2 Locking nuts **C** into the Shelf **6**.

Use a screwdriver to turn Locking nuts **C** clockwise to lock.

**d:**



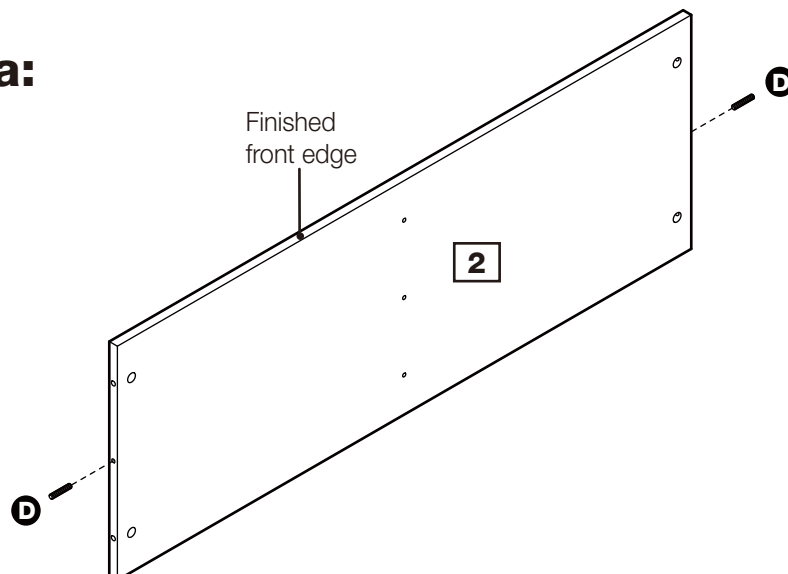
## Step 2

### Attaching bottom panle

**a:** Insert Dowels **D** into the bottom panle **2**.

Continued on next page.

**a:**



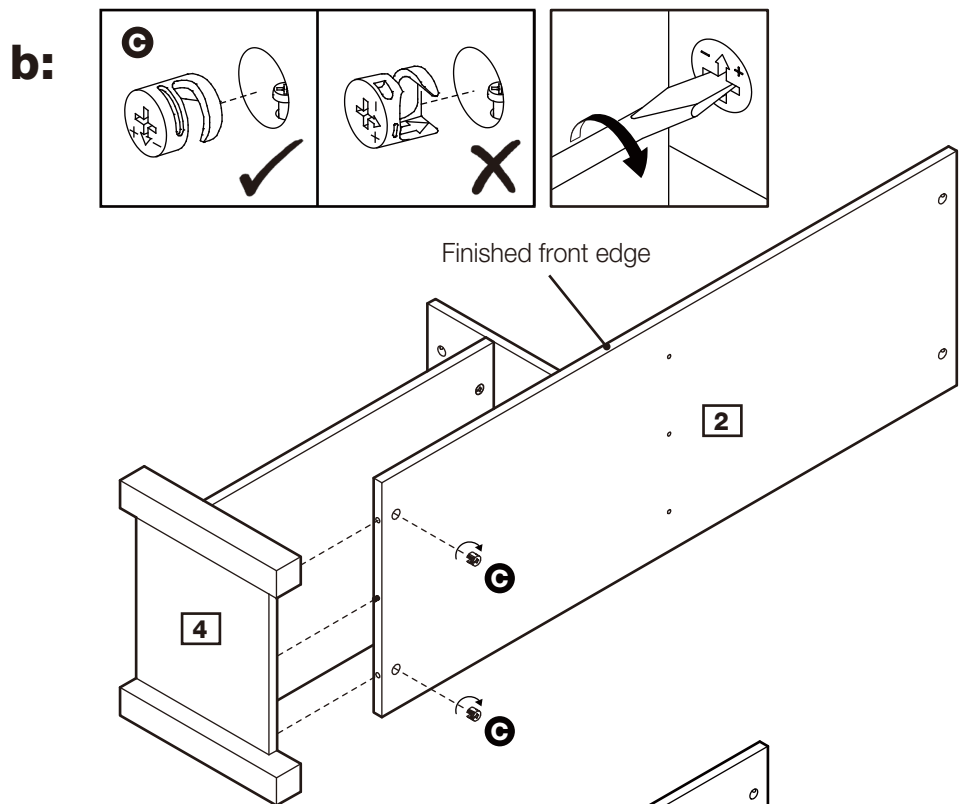
# Assembly Instructions

## Step 2 - continued

**b:** Position Bottom panel **2** onto the Left side panel **4**.

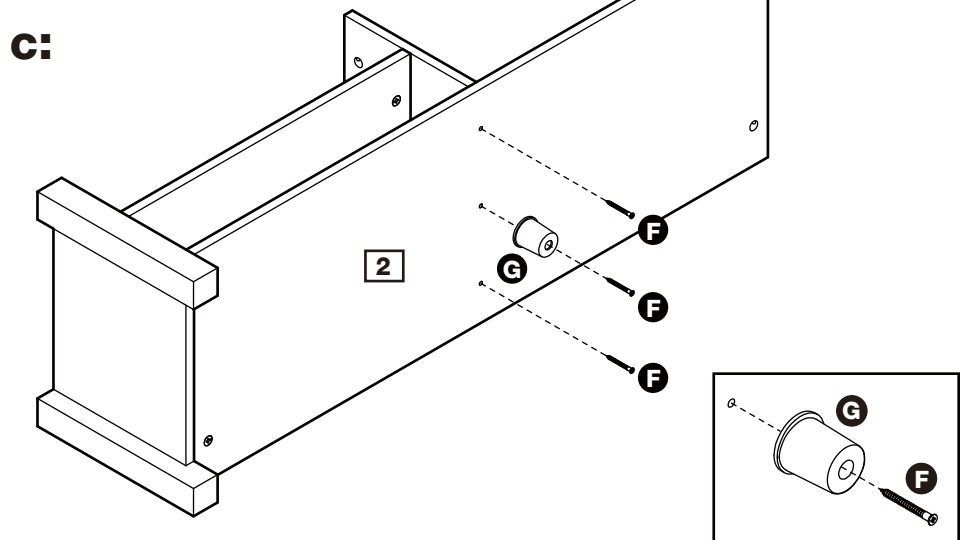
Insert 2 Locking nuts **C** into the Bottom panel **2**.

Use a screwdriver to turn Locking nuts **C** clockwise to lock.



**c:** Use Screw **F** to fix the Bottom panel **2** onto the unit.

Fix Feet **G** to Bottom panel **2** using Screw **F**.



## Step 3

### Attaching right side panel

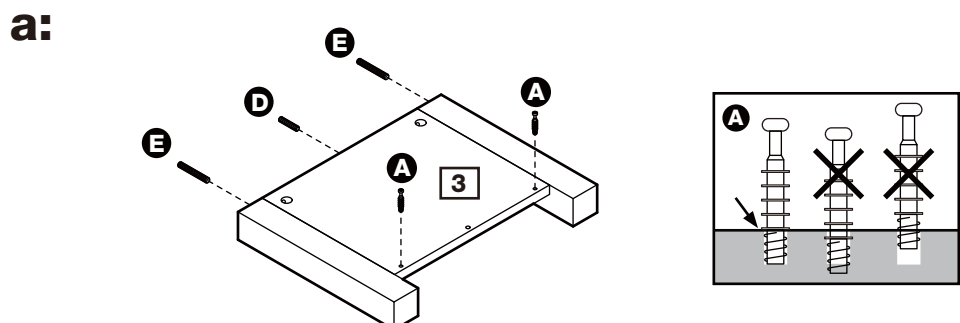
**a:** Insert Dowels **D** & **E** into the Right side panel **3**.

Screw Locking pins **A** into the Right side panel **3**.

**Note:** Insert Locking pins as far as shown.

**Do not over tighten.**

Continued on next page.



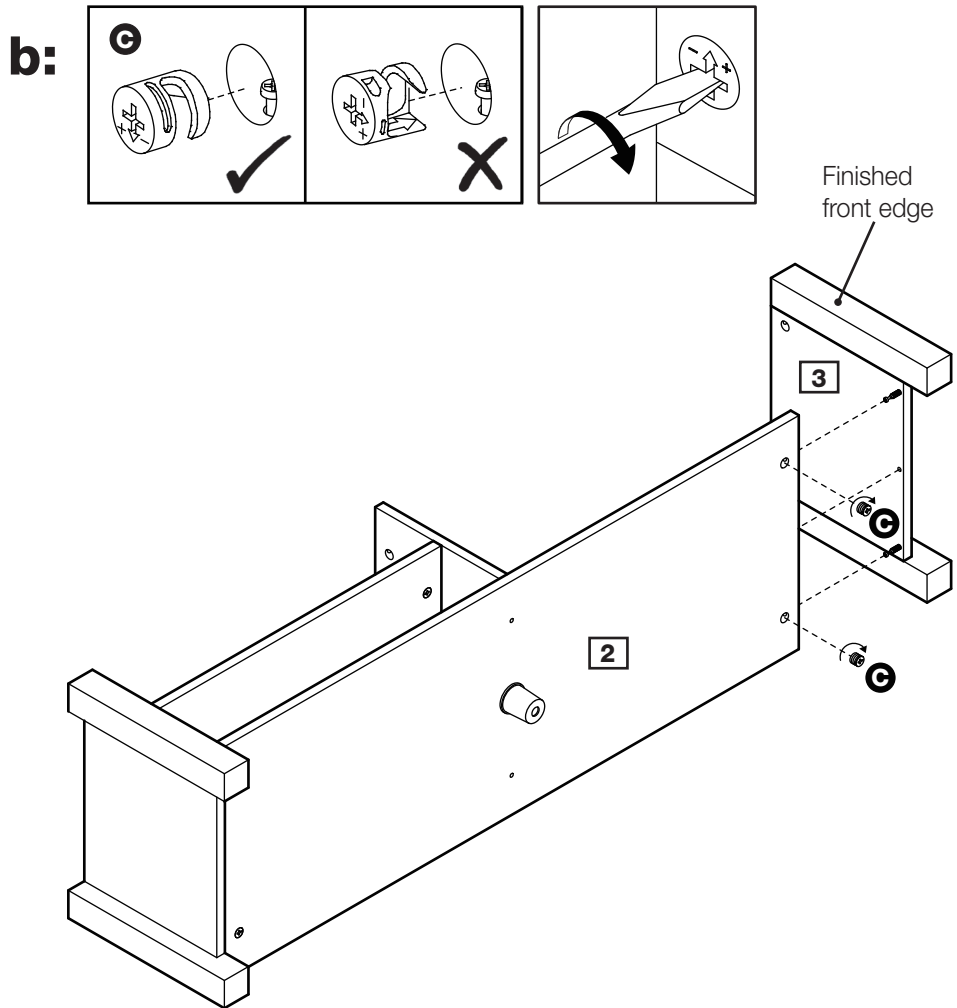
# Assembly Instructions

## Step 3 - continued

**b:** Position Right side panel **3** onto the Bottom panel **2**.

Insert 2 Locking nuts **C** into the Bottom panel **2**.

Use a screwdriver to turn Locking nuts **C** clockwise to lock.

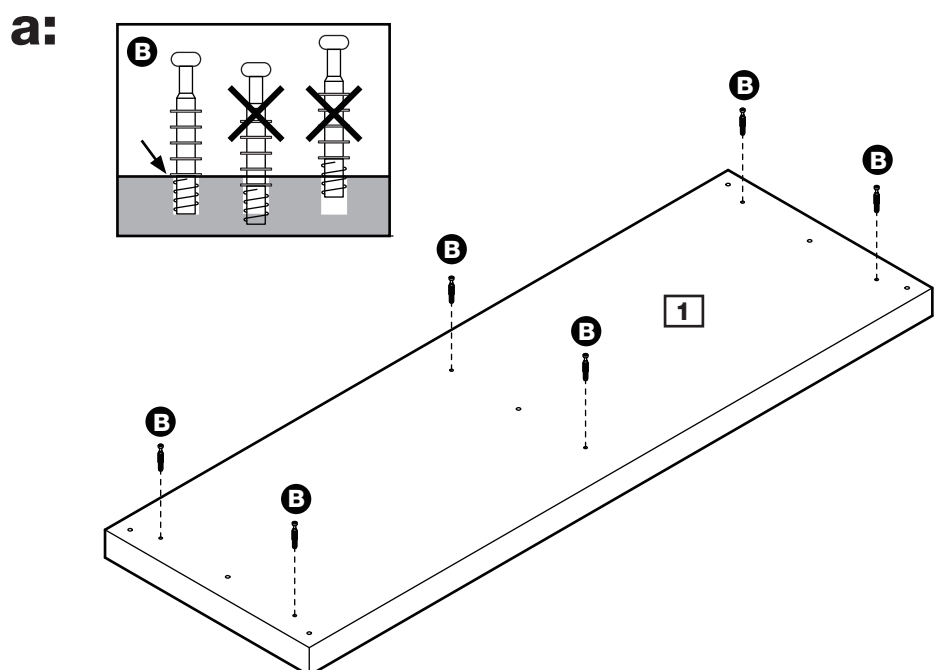


## Step 4

### Attaching top panel

**a:** Screw Locking pins **B** into the Top panel **1**.

**Note:** Screw Locking pins as far as shown.  
**Do not over tighten.**



Continued on next page.



# Assembly Instructions

## Step 4 - continued

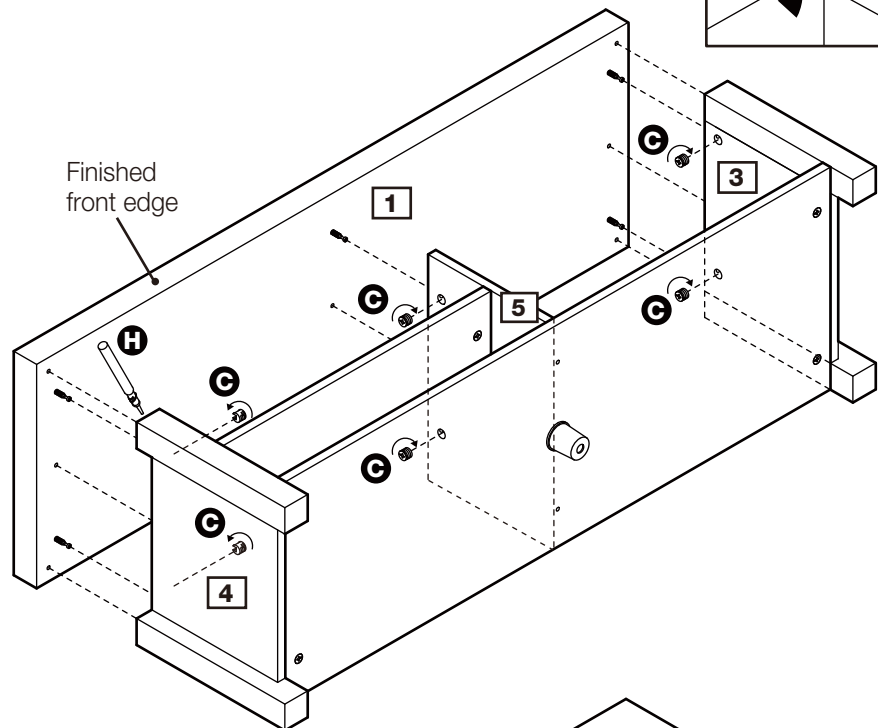
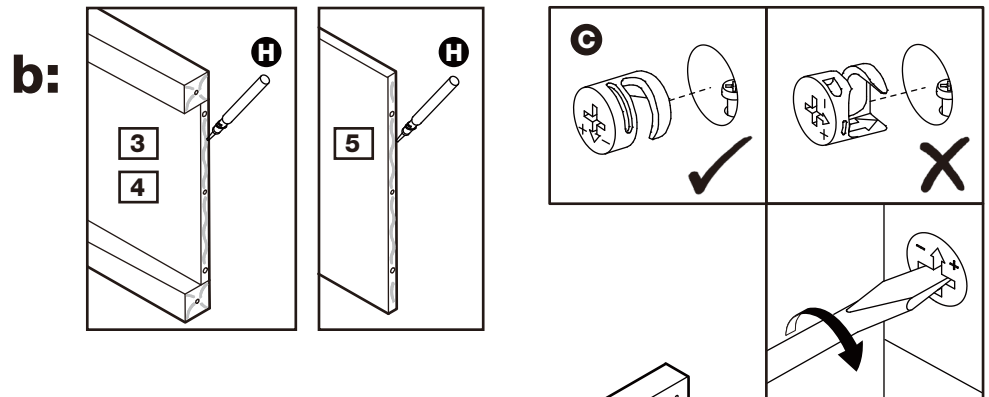
**Note:** It would be useful to ask someone to help you at this stage.

**b:** Place a small amount of Glue **H** onto the joint's surfaces.

Carefully position Top panel **1** onto the unit.

Insert 6 Locking nuts **C** into the unit.

Use a screwdriver to turn Locking nuts **C** clockwise to lock.



## Step 5

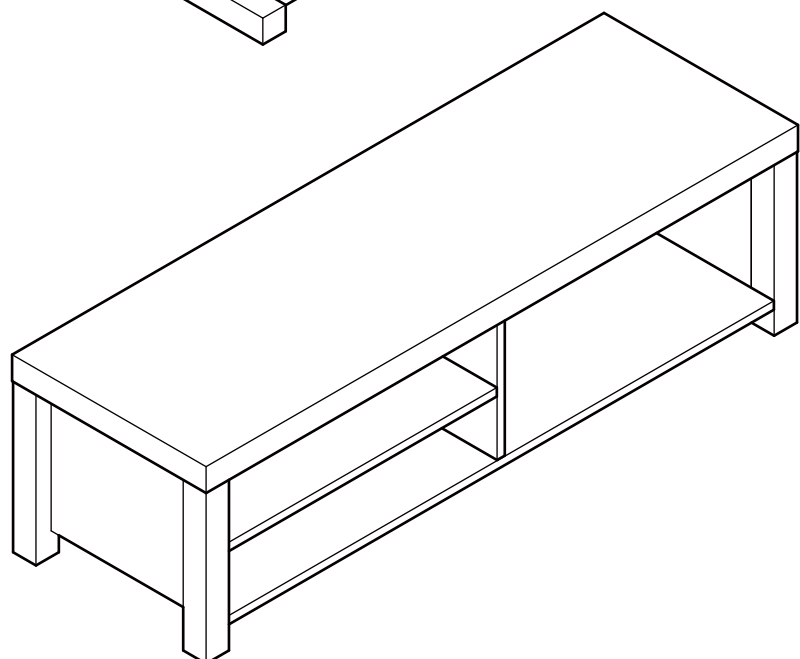
### Finishing the unit

**Note:** It would be useful to ask someone to help you at this stage.

With help, place the unit in the intended position.

**Note:** Before use allow the glue to dry for 24 hours and make sure the unit is secure.

**Assembly is complete.**



If you need help or have damaged or missing parts, call the Customer Helpline: 08456 400800