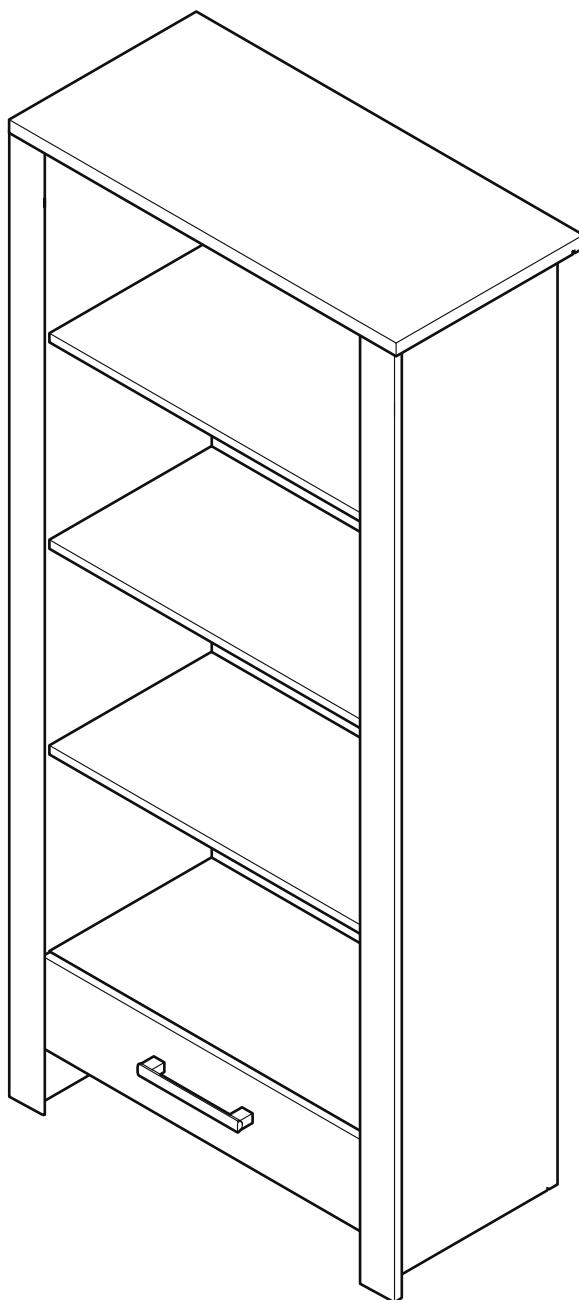


1 Drawer Display Unit

Assembly Instructions - Please keep for future reference

042 xx 3048



Dimensions

Width - 74.0cm

Depth - 35.8cm

Height - 161.7cm

Important - Please read these instructions fully before starting assembly

If you need help or have damaged or missing parts, call the **Customer Helpline: 01709 534123**
Please turn to back page for important information when contacting Customer Helpline.

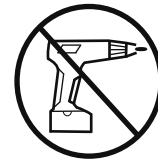


Safety and Care Advice

Important - Please read these instructions fully before starting assembly

- Check you have all the components and tools listed on pages 2 and 3.
- Remove all fittings from the plastic bags and separate them into their groups.
- Keep children and animals away from the work area, small parts could choke if swallowed.
- Make sure you have enough space to layout the parts before starting.

- Do not stand or put weight on the product, this could cause damage.
- Assemble the item as close to its final position (in the same room) as possible.
- Assemble on a soft level surface to avoid damaging the unit or your floor.
- Parts of the assembly will be easier with 2 people.



• We do not recommend the use of power drill/drivers **for inserting screws**, as this could damage the unit. Only use hand screwdrivers.

- **Do Not dispose of packaging until assembly complete.**
- Dispose of all packaging carefully and responsibly when assembly complete.

Care and maintenance

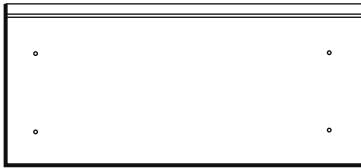
- To protect the furniture, position the furniture out of direct sunlight and away from direct heat sources such as radiators and fires.
- Do not place the furniture in excessively dry and humid conditions.
- From time to time check that there are no loose screws on this unit.
- Always lift furniture when moving it (do not drag) otherwise the joints may be damaged.
- Do not place hot or cold objects on the surface, always use protective mats to avoid marking the furniture.
- This product should not be discarded with household waste. Take to your local authority waste disposal centre.
- Clean spills up immediately
- Dust surfaces with a soft, dry, lint free cloth.
- More stubborn marks can be removed using a damp (not wet) cloth. Wipe the surface dry immediately using a soft lint free cloth.
- Do not use detergents, abrasive cleaning products or cleaning products that contain ammonia, solvents or silicone as these may damage the surface finish.

Components - Panels

Please check you have all the panels listed below



Important - Thick lines ——— indicate finished edges



8828 Top (74x35.8cm)



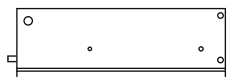
8829 Bottom x5 (63.4x31cm)



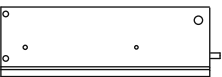
8553 Plinth (63.4x76cm)



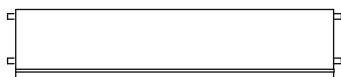
5671 Drawer Bottom
(61.2x29.8cm)



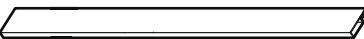
622xx7002
Left drawer side (30x10cm)



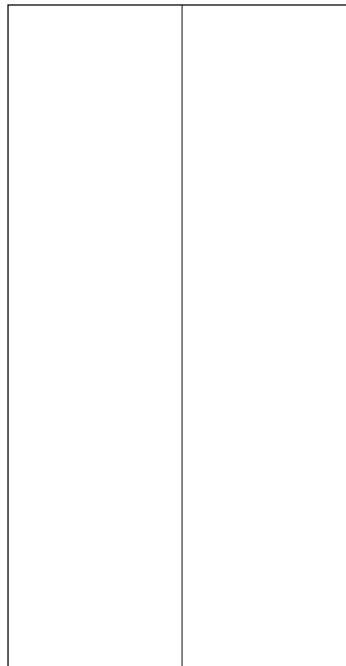
623xx7002
Right drawer side (30x10cm)



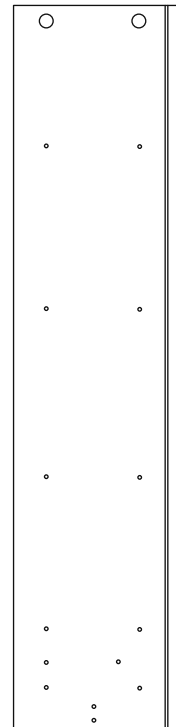
624xx7010
Drawer back (60.1x10cm)



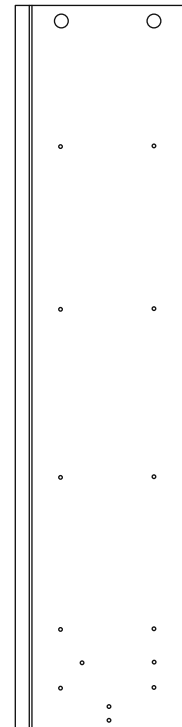
684xx3048
Trim x 2



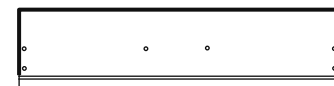
8832 Backpanel (152.1x64.4cm)



8830
Left End Panel
(159.5x35.2cm)



8831
Right End Panel
(159.5x35.2cm)



8581
Drawer Front
(63x15.7cm)




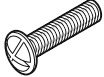

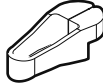
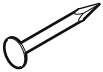

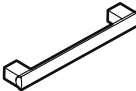

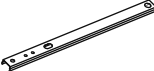
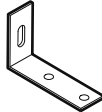



Components-Fittings

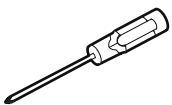
If you have damaged or missing components, call the **Customer Helpline: 01709 534123** Please turn to back page for important information when contacting Customer Helpline.

Please check you have all the fittings listed below

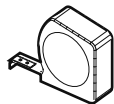
Note: The quantities below are the correct amount to complete the assembly, In some case more fittings may be supplied than are required.

A  Large cam x 28 Code 760001103	B  Metal dowel x 30 Code 760003004	C  Small cam x 2 Code 760003005
D  20mm bolt x 2 Code 700002006	E  12mm screw x 2 Code 690001099	F  Panel pin guide x 1 Code 684004501
G  Panel pin x 8 Code 760001012	H  9mm bolt x 2 Code 690001078	I  Handle x 1 Code 653003512
J  8mm screw x 4 Code 700003510	K  Runner x 2 Code 760001040	L  Support Bracket x 1 Code 760001901
M  Cam cover sticker x 6 Code 682xx2011		

Tools required



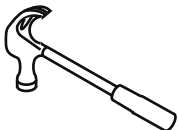
Cross headed screwdriver
(medium & large)



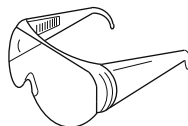
Tape Measure



Drill

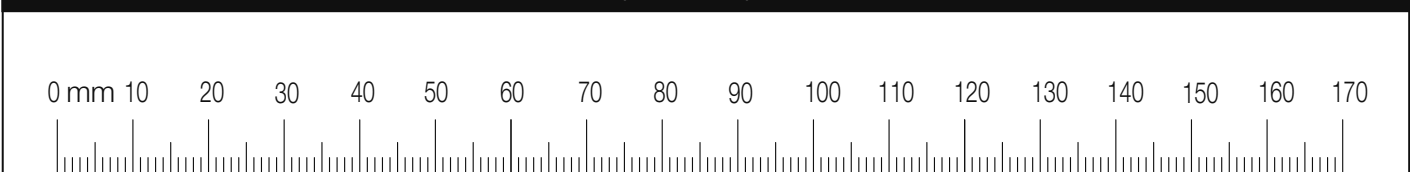


Small Hammer

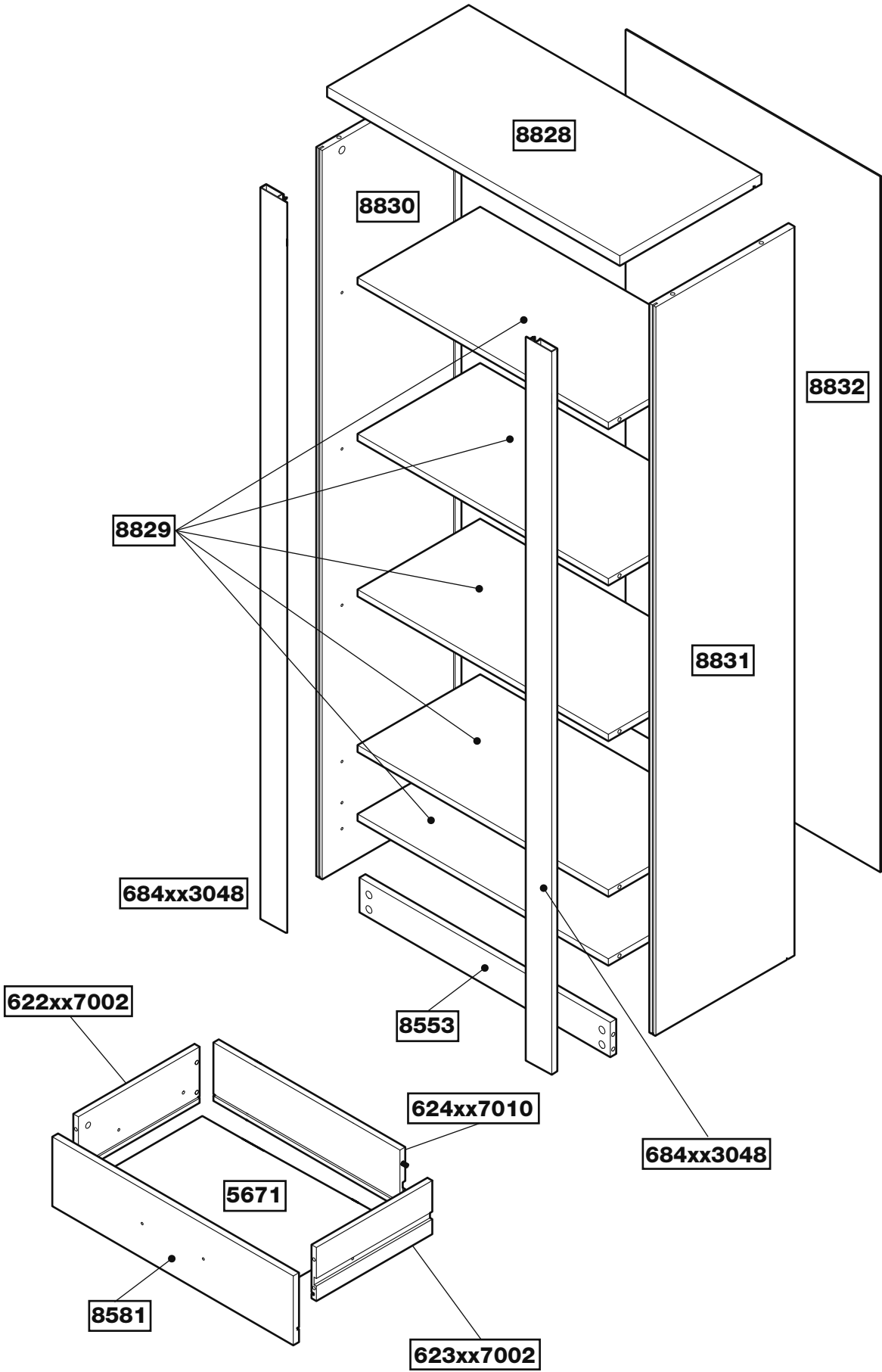


Eye protection
(when using a
hammer)

Ruler - Use this ruler to help correctly identify the screws



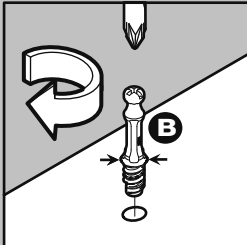
Exploded View



Assembly Instructions

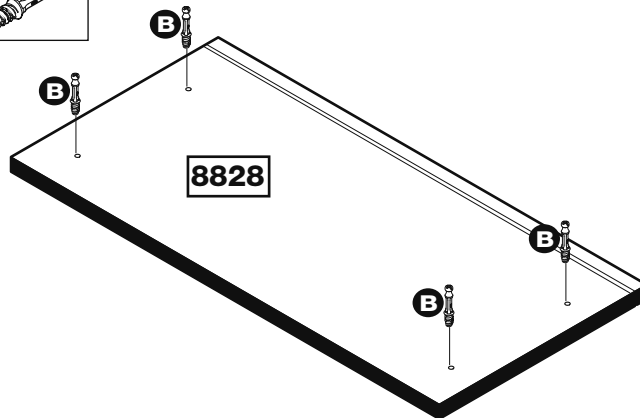
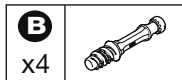
Step 1

Fitting dowels to top panel.



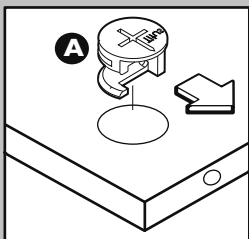
Note: Insert metal dowels **B** as far as shown by arrows. Do not over tighten.

Fittings you will need for this step:



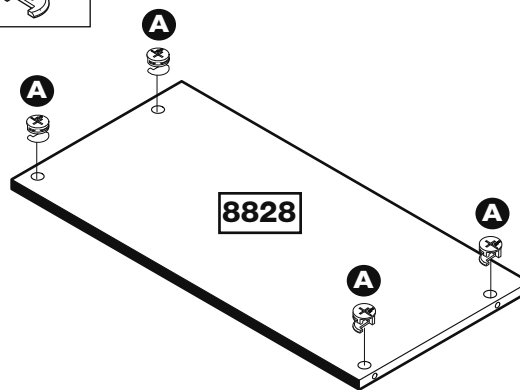
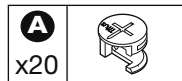
Step 2

Fitting cams to the bottom panels x5.



Note: Ensure cam arrow points towards the edge with hole.

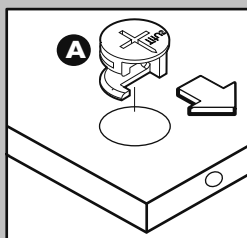
Fittings you will need for this step:



REPEAT ON REMAINING BOTTOM PANELS

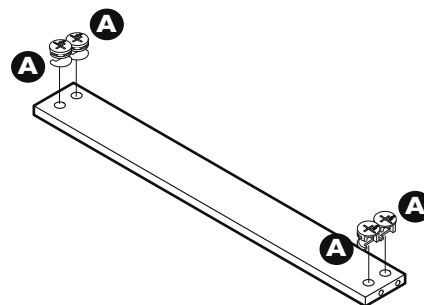
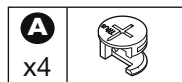
Step 3

Fitting cams to the plinth panel.



Note: Ensure cam arrow points towards the edge with hole.

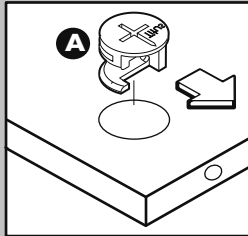
Fittings you will need for this step:



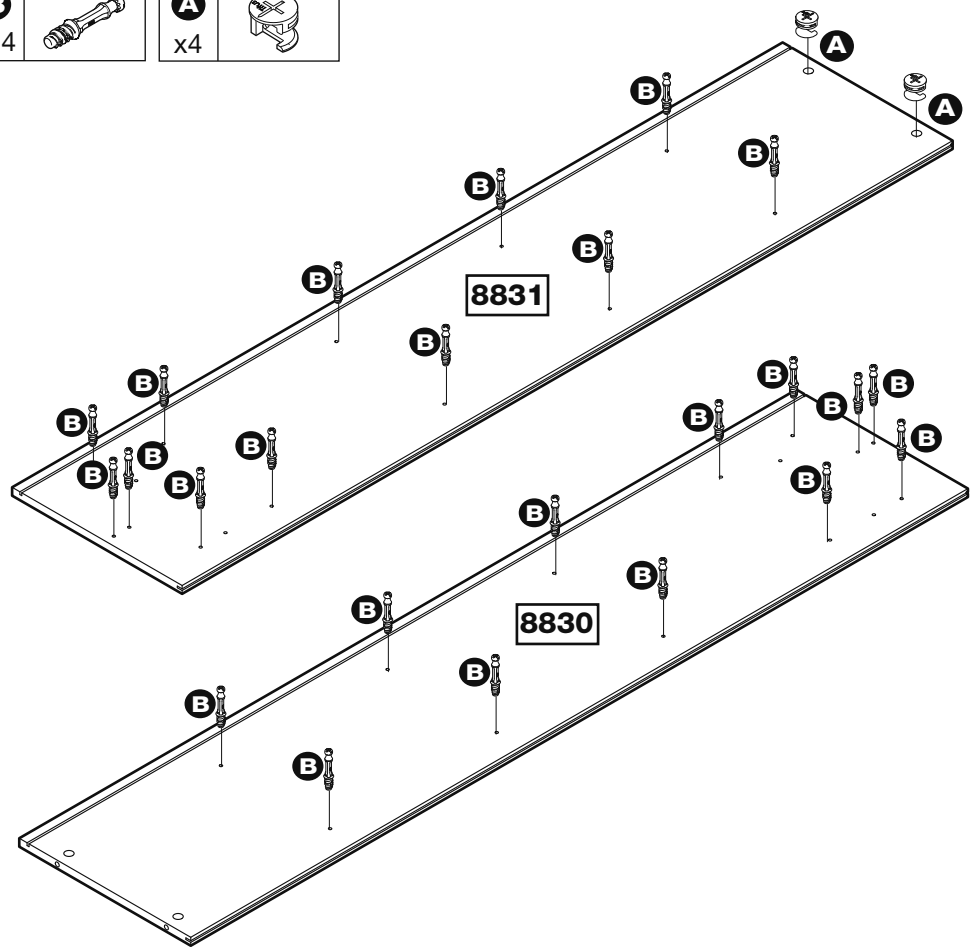
Assembly Instructions

Step 4

Fitting cams & dowels to the end panels.



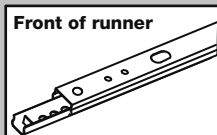
Note: Ensure cam arrow points towards the edge with hole.



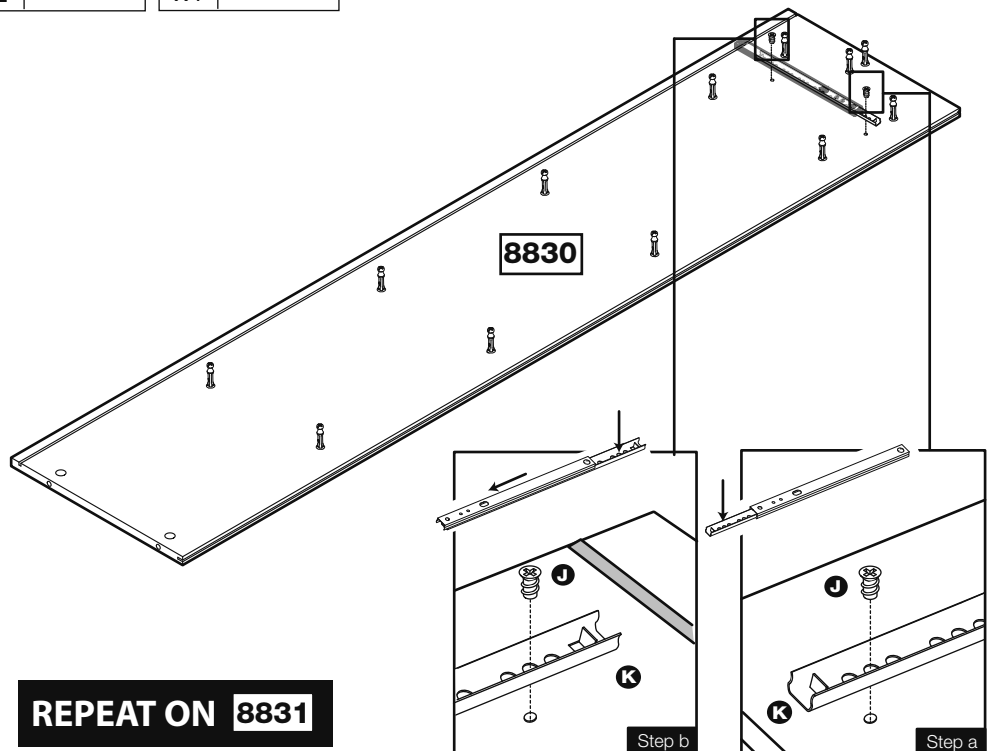
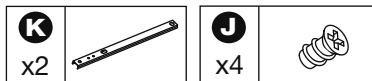
Step 5

Attaching runners to end panels

Position the runner so that the second hole from the front of the runner lines up with the pre-drilled hole nearest to the grooved edge of the panel. Use screws **J** to secure the runner.



Slide the runner forward revealing the back of the runner. The second hole to the back of the runner should now line up with the second pre-drilled hole.

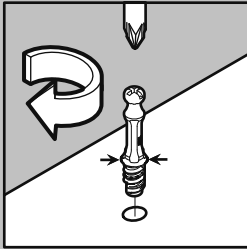


REPEAT ON 8831

Assembly Instructions

Step 6

Drawer assembly



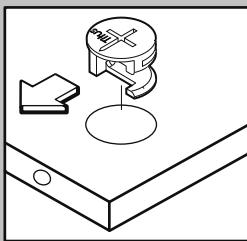
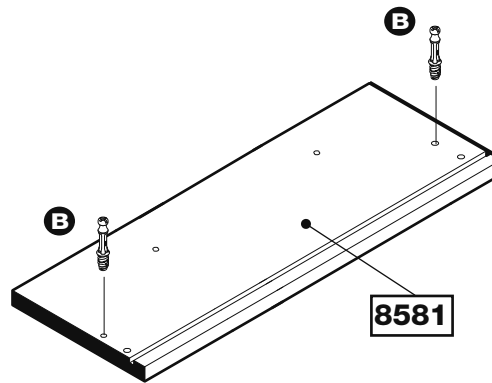
a: Insert dowels into drawer front.

Note: Insert metal dowels as far as shown by arrows.

Do not over tighten.

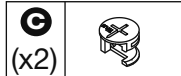


A

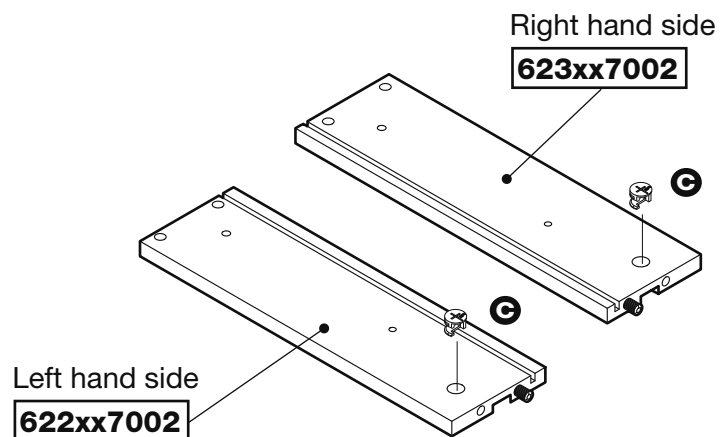


b: Insert small cams into left **622xx7002** and right **623xx7002** drawer sides.

Note: Ensure cam arrow points towards the edge with hole.

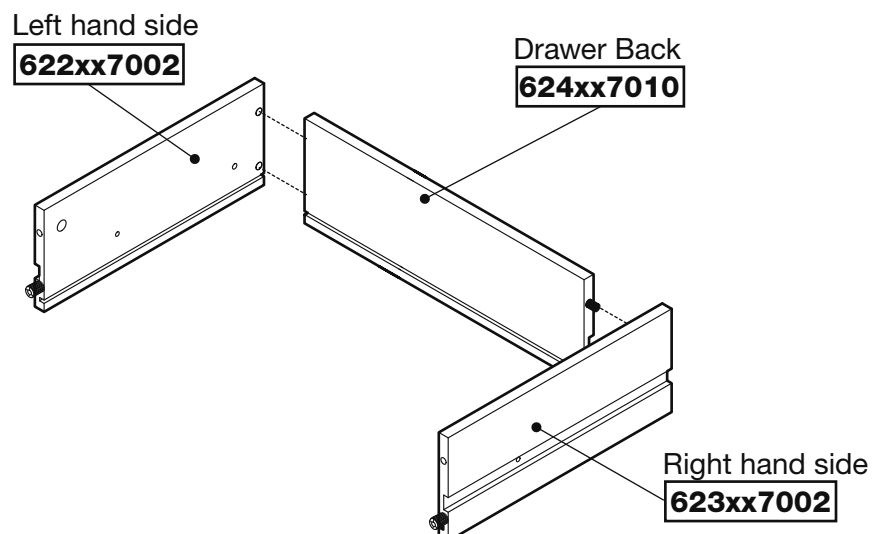


B



c: Insert wooden dowels in drawer back **624xx7010** into holes in left **622xx7002** right **623xx7002** hand drawer sides.

C



Continued on next page.

Assembly Instructions

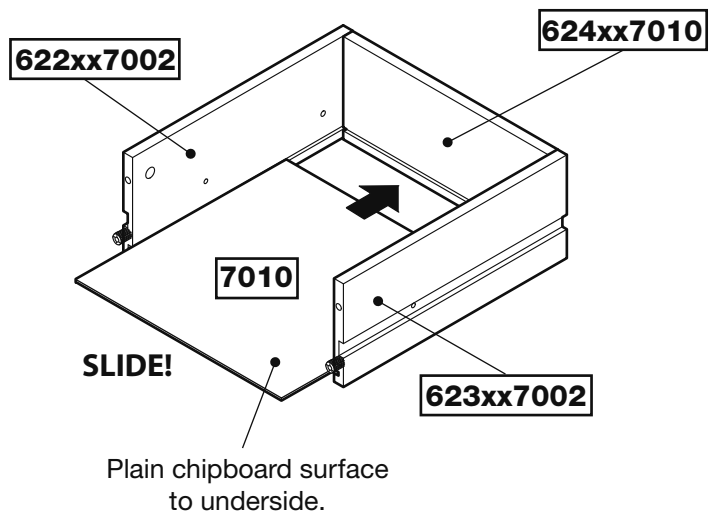
Step 6 - Continued

Drawer assembly Continued...

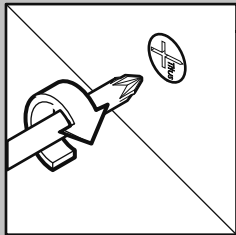
d: Slide drawer bottom into grooves in the left and right drawer sides and the drawer back.

Ensure foil on the drawer bottom is facing upwards.

D

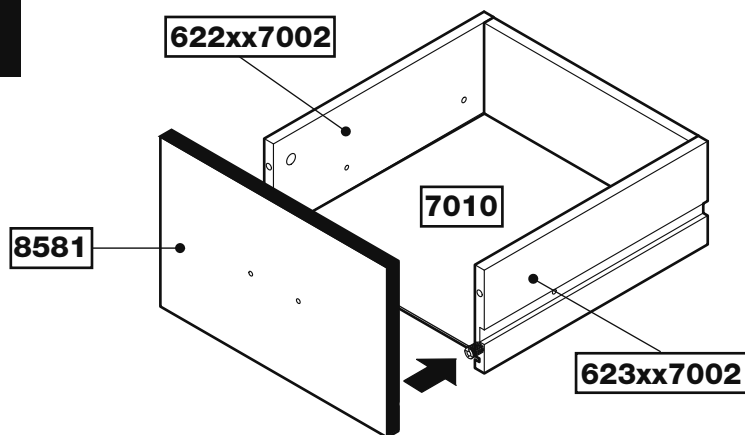


e: Locate the metal dowels (already inserted) in the drawer front into the small cams in the left and right hand drawer sides.

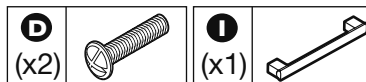


Turn cam 180 degrees to lock

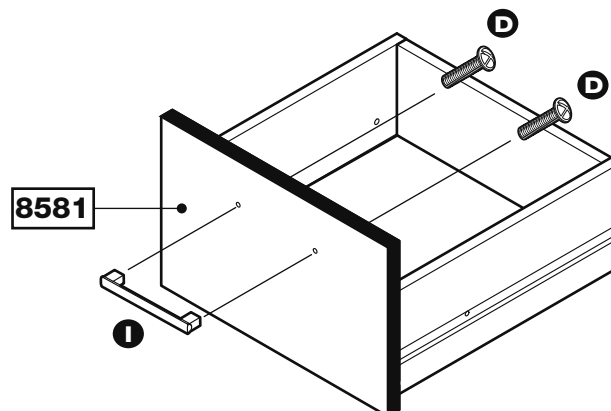
E



f: Secure handles to the drawer front.



F

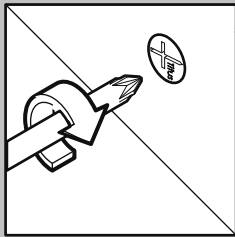


Assembly Instructions

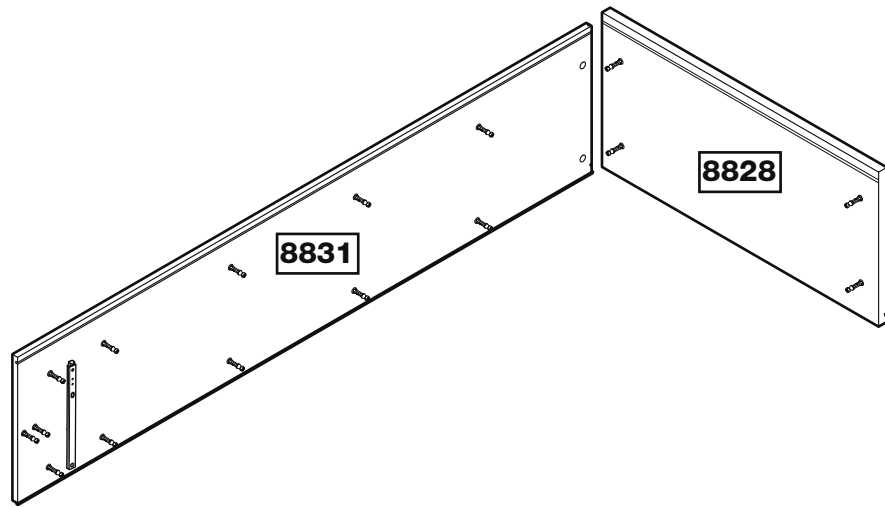
Step 7

Connect right hand and top panel.

Attach the top panel **8828** to the right end panel **8831**.



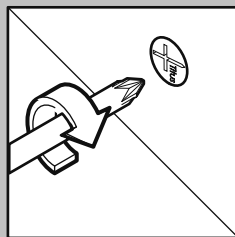
Note: You may need a small screwdriver.



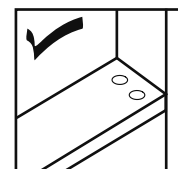
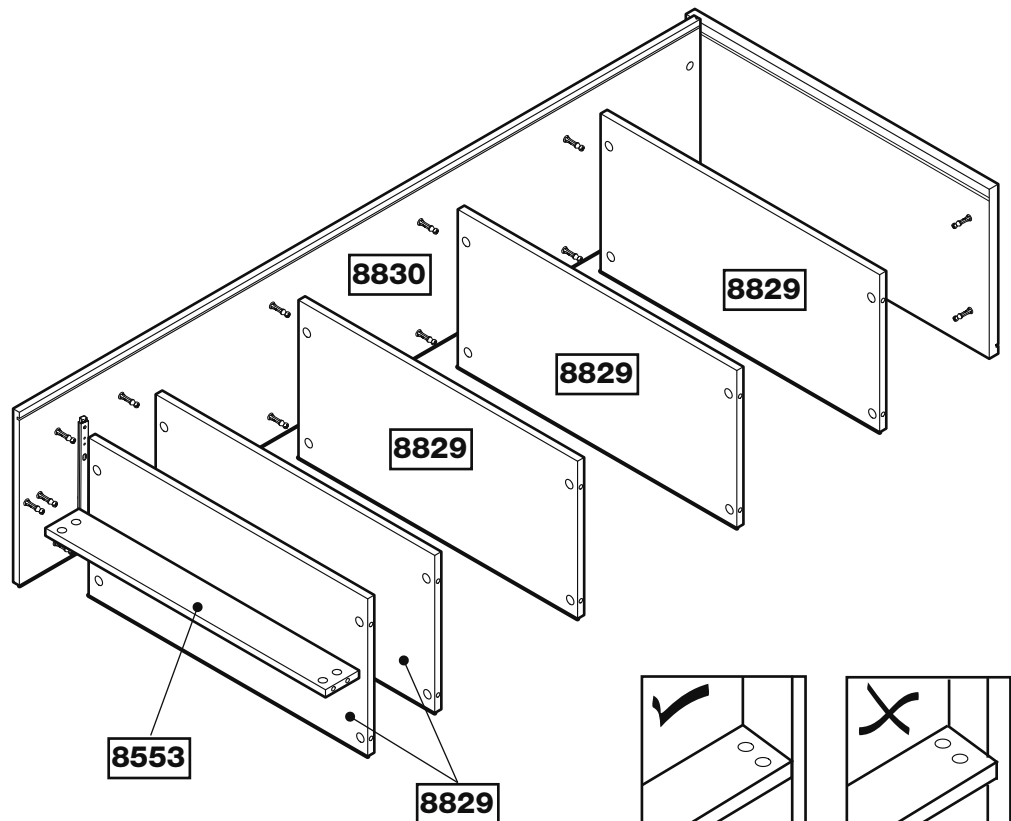
Step 8

Connect right hand end with bottom panels x5 and plinth.

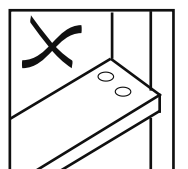
Connect the right end panel **8830** to the 5 x bottom panels and the plinth.



Note: You may need a small screwdriver.



Ensure plinth sits flush.



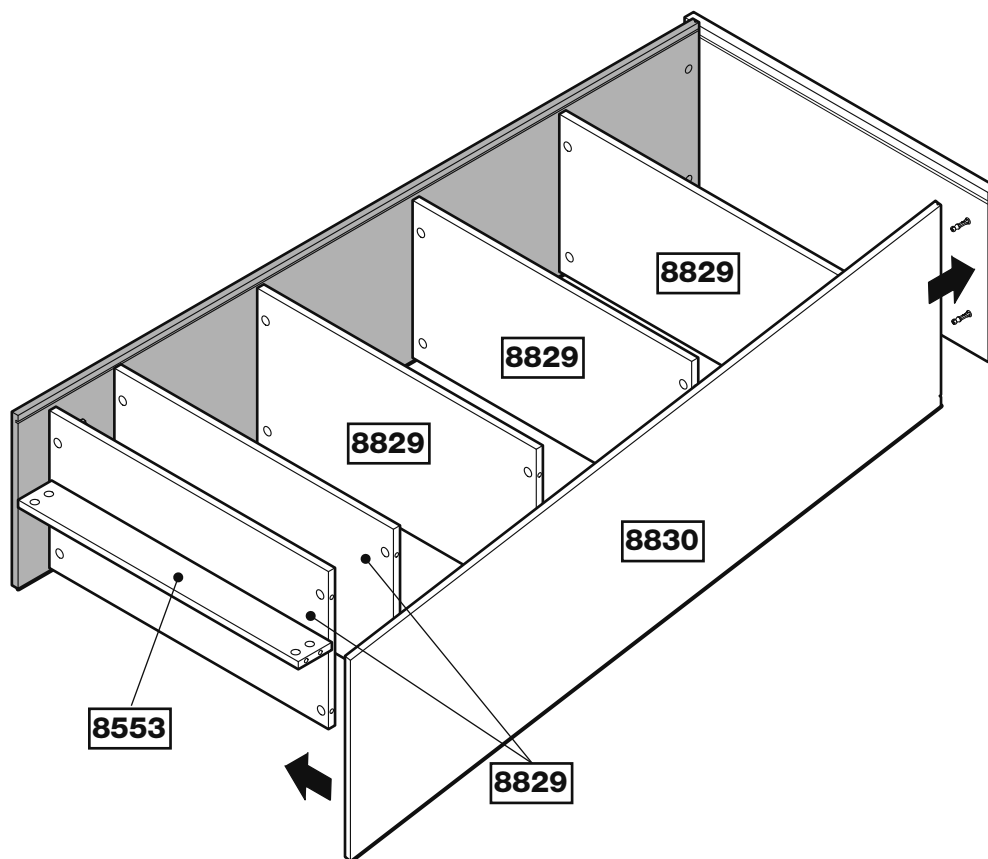
Ensure plinth is not overhanging.

Assembly Instructions

Step 9

Connect the left hand end panel.

Connect the dowels in the left end panel **8830** in order from the top into the bottom panels **8829** and finally the plinth panel **8553**



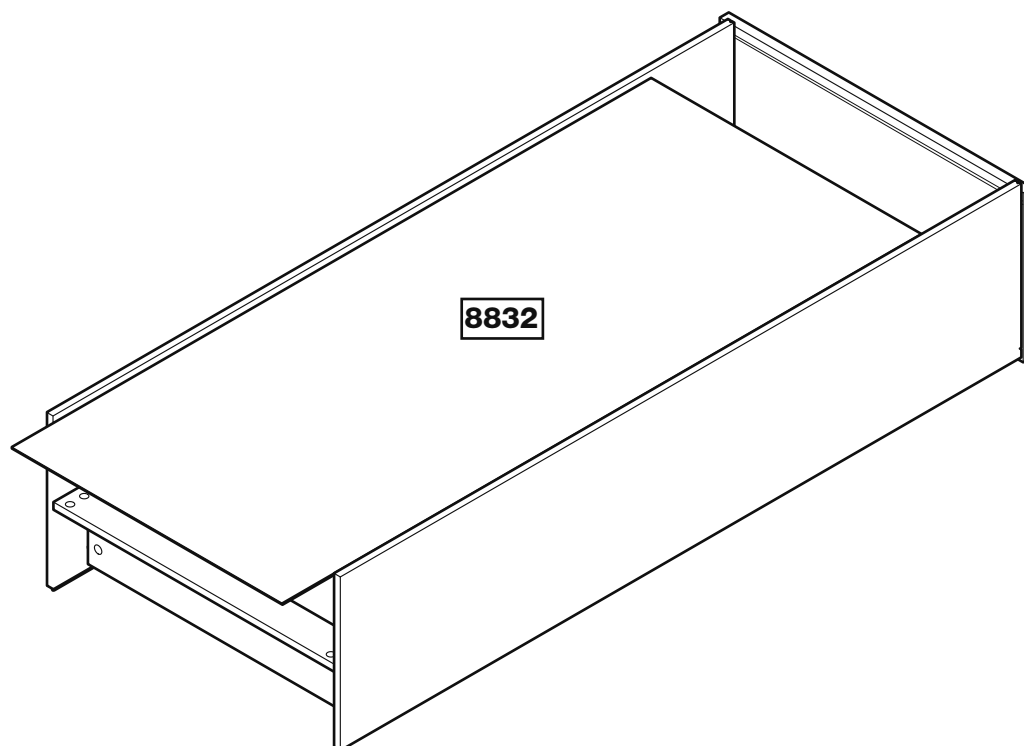
Step 10

Slide in back panel

Slide the back panel **8832** into the grooves in the left and right hand ends.

To ensure that the back panel sits into the groove in the top panel, stand the unit on its head.

CAUTION: Two people required to lift the unit.

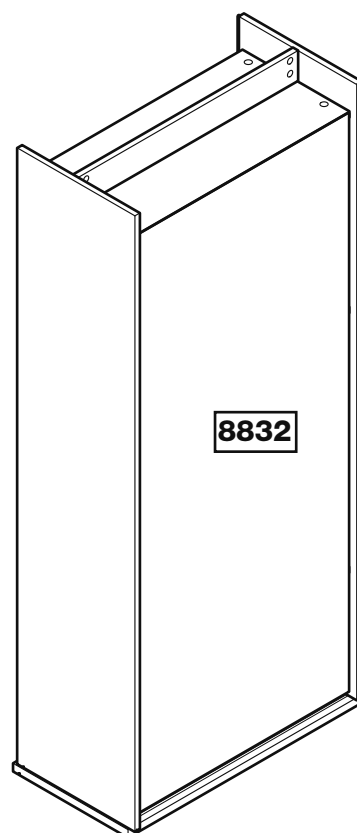


Assembly Instructions

Step 11

Insert back panel.

Ensure that the back panel sits firmly inside all of the grooves before laying the unit back down to secure the bottom panel.

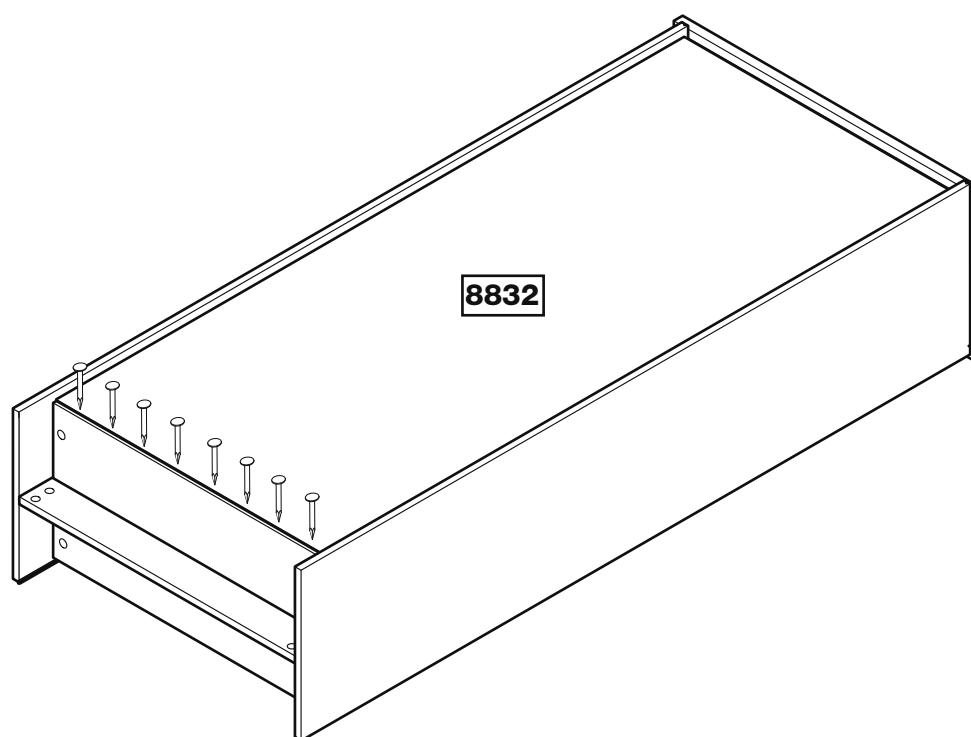
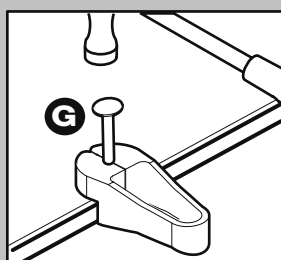


Step 12

Secure the back panel.

Slide the back panel into the grooves.

Use the panel pin guide when locating the panel pins. This will hold the panel pins vertical and ensure the correct distance from the edge.



Assembly Instructions

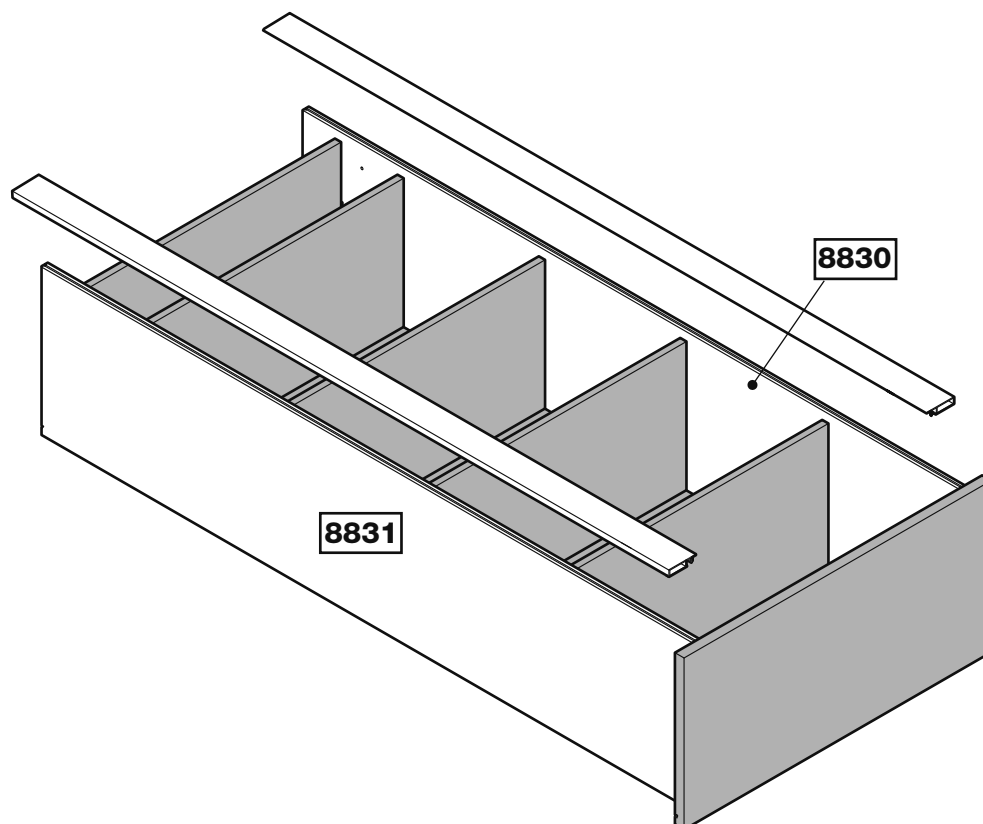
Step 13

Turn unit over to attach the trims

Locate the notch on the trim into the grooves in the end panels.

To insert trims use a hammer, place a cardboard packing piece between the hammer and trims to protect the trims.

Ensure that the trims are inserted fully.

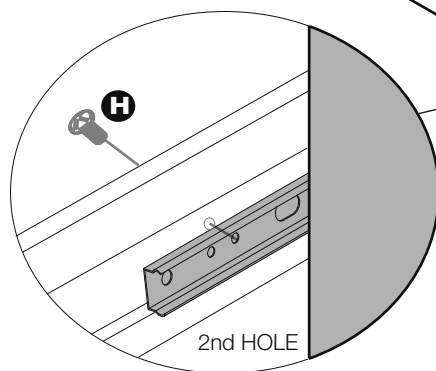
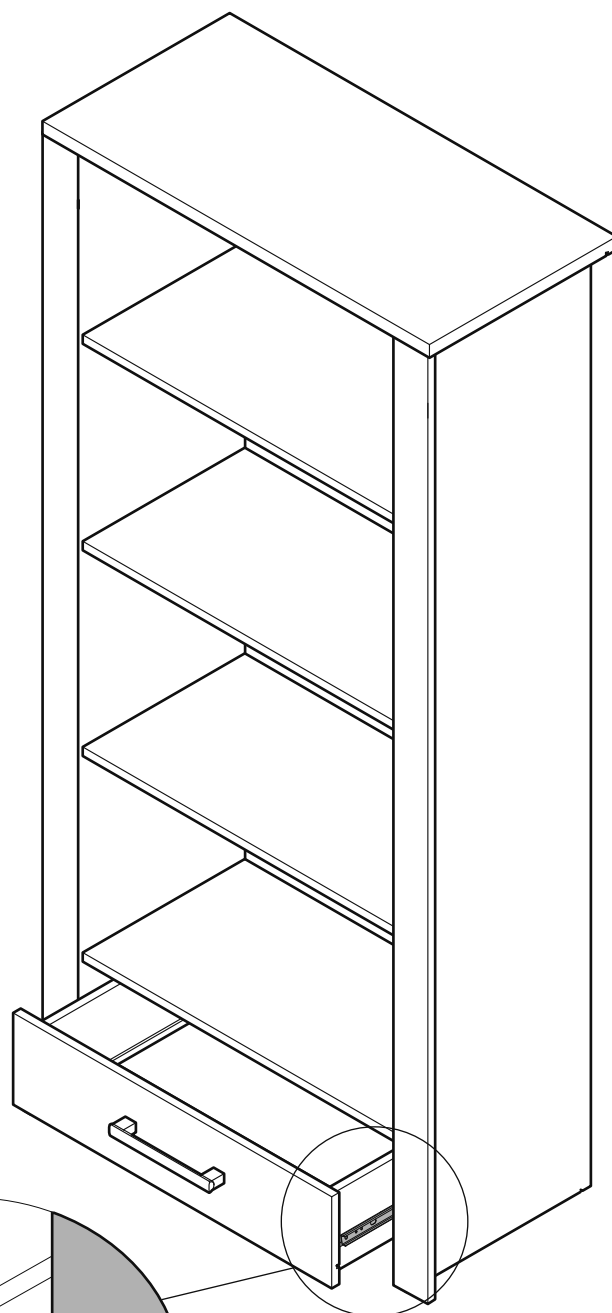
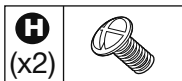


Assembly Instructions

Step 14

Stand unit upright to insert drawers.

For this step we recommend you follow the helpful hints page.



Assembly Instructions

Step 16

Locate drawers helpful hints

a: Pull sliding part of drawer runners **K** out so they are fully extended.

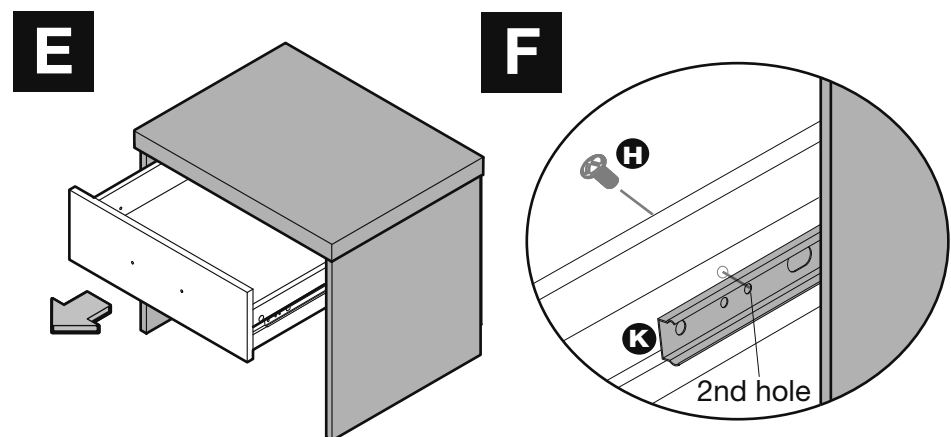
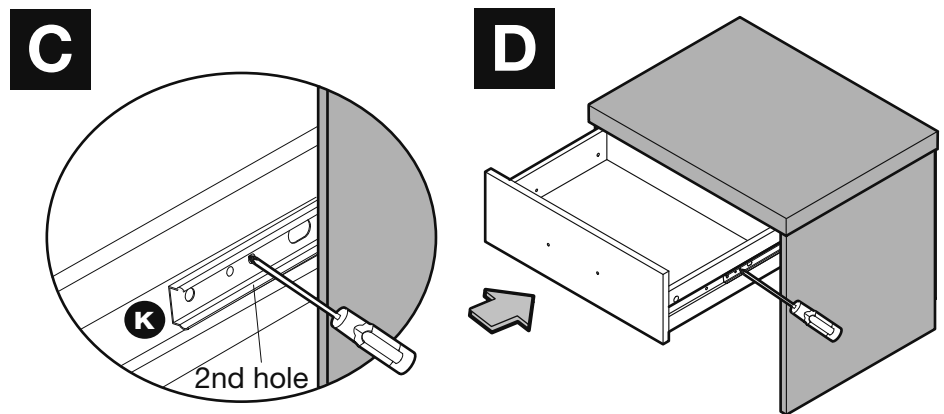
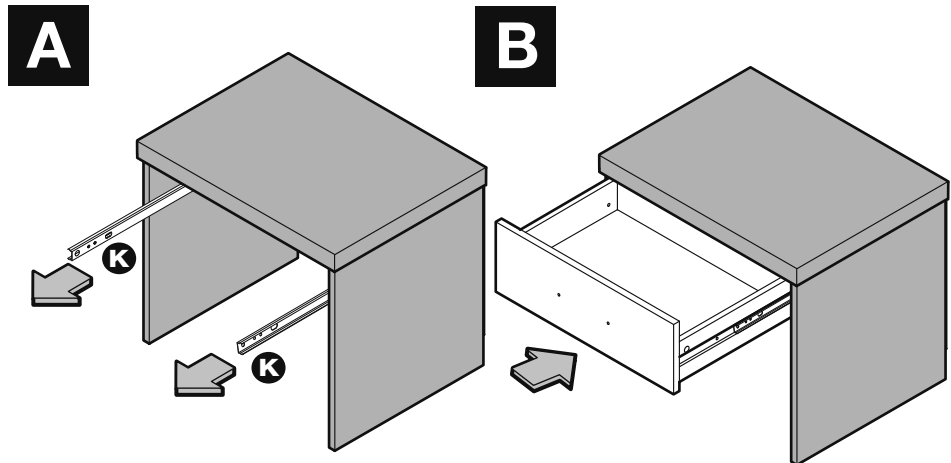
b: Locate drawer onto runners.

c: Locate screwdriver into second threaded hole in drawer runner **K**.

d: Keeping screwdriver in place push the drawer closed. The screwdriver will push against the end panel and extend the drawer runner **K**.

e: Pull drawer out slowly and line the hole in the drawer side with the 2nd threaded hole in the runner **K**. Now insert bolts **H** through the drawer side and into threaded hole in runner **K**.

f: Now insert bolts **H** through the drawer side and into threaded hole in runner **K**.



Assembly Instructions

Step 16

Fixing to wall

We recommend that this unit is fixed to a suitable wall to prevent possible overbalancing. We have included a fixing bracket for this. No fixing screws are provided as they will need to suit the wall type, and the length of screw will depend on the distance from the back of the unit to the wall. Please ensure fixings used are appropriate to your wall type. Locate the bracket to the top panel or to the end panel as close to top as possible. We do not specify exact location for the bracket, this is left to the customer's discretion.

With help move the unit into position.

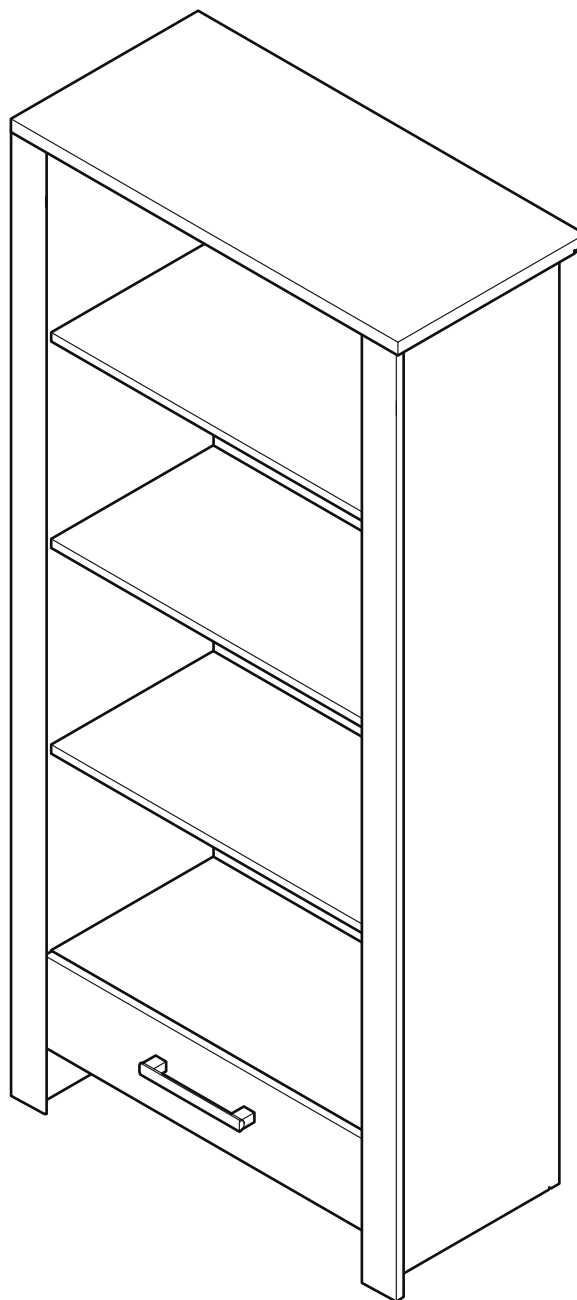


Warning:
2 people to lift.
Lift with care.

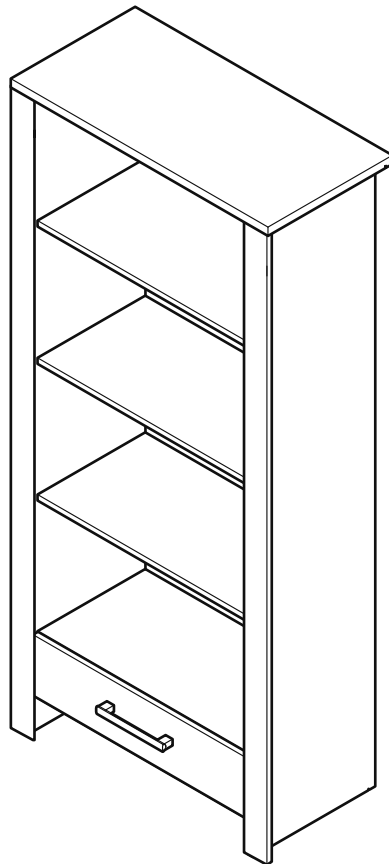


Warning:

Please take care when drilling into the wall, avoiding any pipes and wires. Wear safety goggles when drilling. The use of residual current device (RCD) is recommended when working with tools. If in doubt consult a qualified person.



Congratulations! Your unit is complete.



Important Information

If you need help or have damaged or missing parts, call the Customer Helpline:

01709 534123 8am - 4.30pm (Monday to Thursday)
8am - 2.30pm (Fridays)

(by contacting the customer service line your statutory rights are not affected)

Please have the following information to hand:

- >> Unit Description
- >> Product Code
- >> Product Colour
- >> Place of Purchase
- >> Catalogue Ref. No.
- >> Item Code
- >> Assembly Instructions

We do have an answer machine should you contact us out of office hours, so in addition to the above information could you leave your name, address, daytime telephone number and the nature of your call on the answerphone. All calls will be actioned asap.

You can also e-mail your requests to us at:

customer.helpdesk@addspacefl.co.uk

Alternatively, you can write to us at: **Customer Service Department, Addspace Furniture Limited, Braithwell Way, Hellaby Industrial Estate, Hellaby, Rotherham, South Yorkshire, S66 8QY.**

Notes

Notes

Notes