

# Large TV Stand

Assembly Instructions - Please keep for future reference

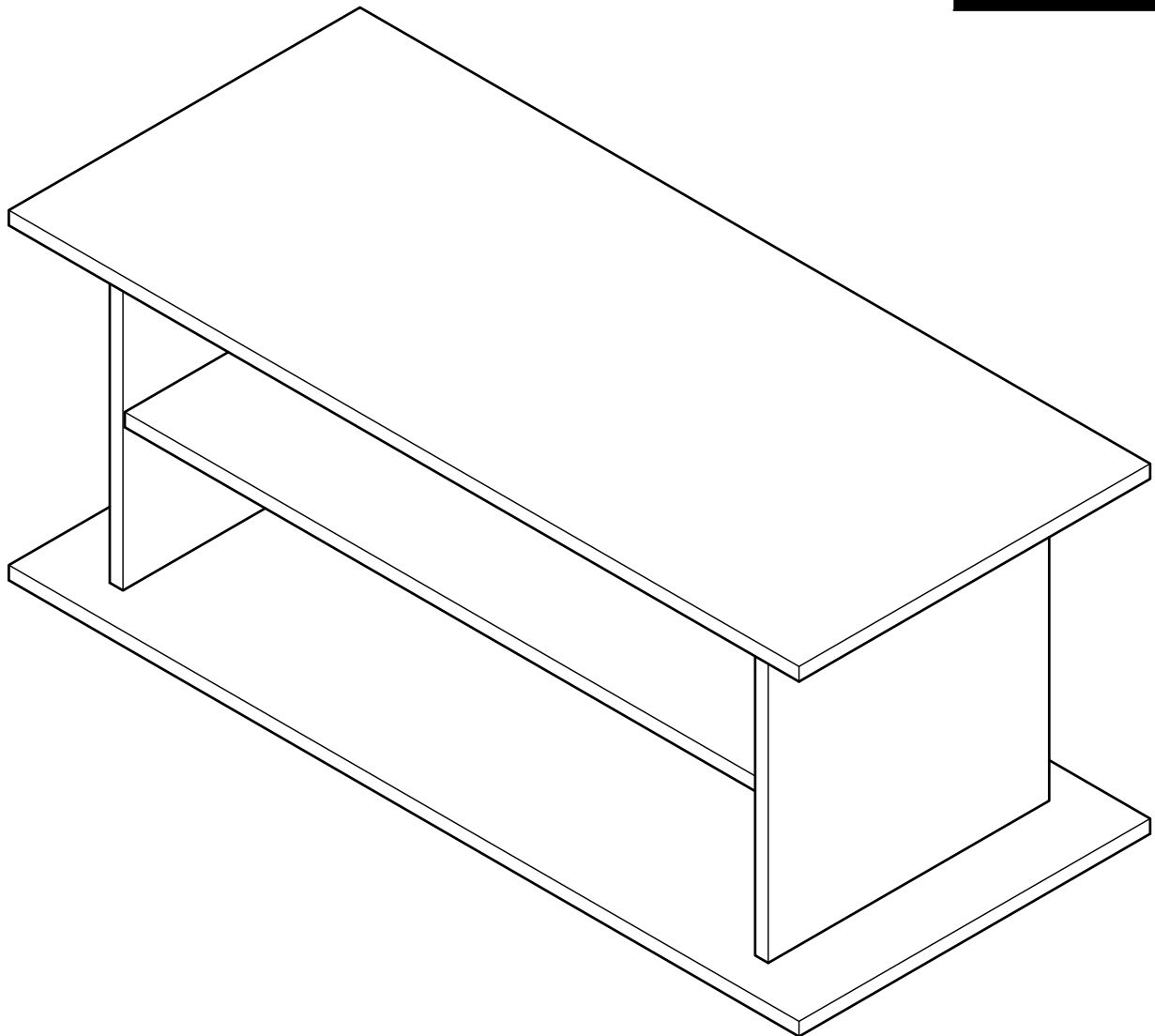
609/1886

609/2689

609/3695

609/6276

417/7427



## Dimensions

Width - 90cm

Depth - 40cm

Height - 38cm

**Important** - Please read these instructions fully before starting assembly

If you need help or have damaged or missing parts, call the **Customer Helpline: 0345 640 0800**



# Safety and Care Advice

## Important - Please read these instructions fully before starting assembly

- Check you have all the components and tools listed on page 2 and 3.
- Remove all fittings from the plastic bags and separate them into their groups.
- Keep children and animals away from the work area, small parts could choke if swallowed.
- Make sure you have enough space to layout the parts before starting.

- Do not stand or put weight on the panels during assembly, this could cause damage.
- Assemble the item as close to its final position (in the same room) as possible.
- Assemble on a soft level surface to avoid damaging the unit or your floor.
- Parts of the assembly will be easier with 2 people.



- We do not recommend the use of power drill/driver **for inserting screws**, as this could damage the unit. Only use hand screwdrivers.
- Dispose of all packaging carefully and responsibly.

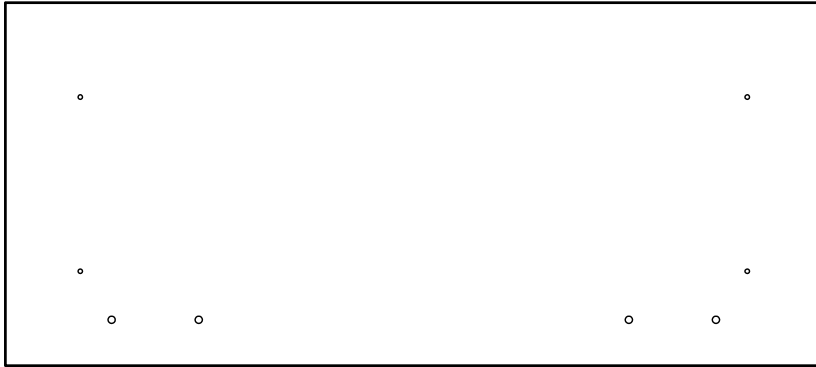
## Care and maintenance

- Only clean using a damp cloth and mild detergent, do not use bleach or abrasive cleaners.
- From time to time check that there are no loose screws on this unit.
- This product should not be discarded with household waste. Take to your local authority waste disposal centre.

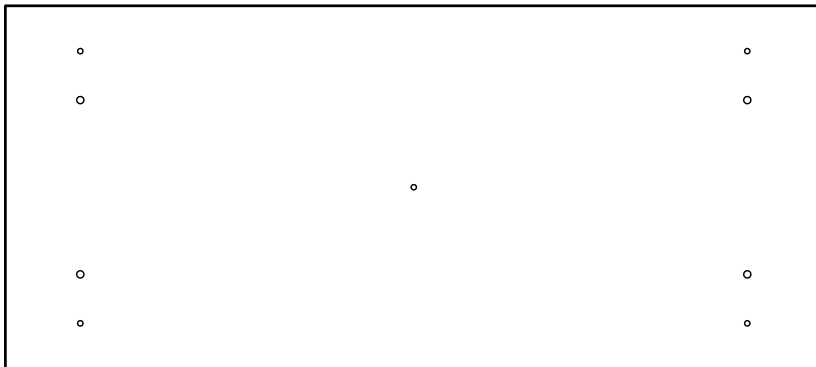
**Note:** If required the next page can be cut out and used as reference throughout the assembly. Keep this page with these instructions for future reference.

# Components - Panels

Please check you have all the panels listed below



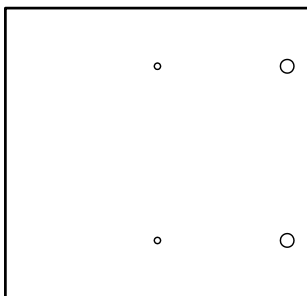
**1** Table top (90 x 40cm)



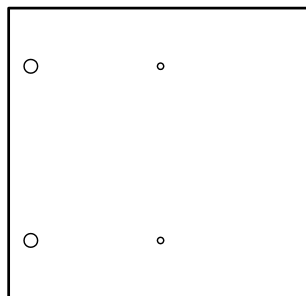
**2** Bottom (90 x 40cm)



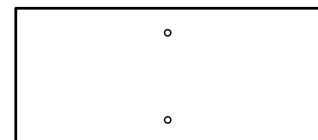
**3** Shelf (72 x 30cm)



**4** Left side (33.5 x 32cm)



**5** Right side (33.5 x 32cm)



**6** Back support x 2 (33.5 x 15cm)




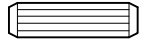
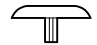

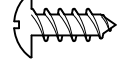
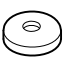


# Components - Fittings

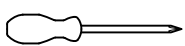
If you have damaged or missing components, call the **Customer Helpline: 0345 640 0800**

Please check you have all the fittings listed below

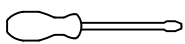
**Note:** The quantities below are the correct amount to complete the assembly. In some cases more fittings may be supplied than are required.

<b>A</b>  Locking pin x 4	<b>B</b>  Locking nut x 4	<b>C</b>  57mm Screw x 12
<b>D</b>  Dowel x 8	<b>E</b>  16mm Plastic plug x 4	<b>F</b>  13mm Plastic plug x 4
<b>G</b>  17mm Screw x 5	<b>H</b>  Foot x 5	

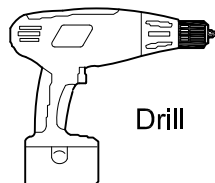
## Tools required



Phillips screwdriver  
(medium & large)

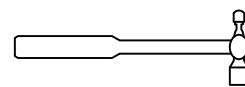


Flatblade screwdriver  
(medium)



Drill

7mm Masonry drill bit  
(for use with wall plug)



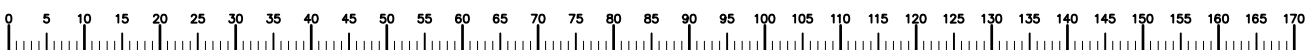
Small  
hammer



Ruler/tape  
measure

Eye protection  
(when using a  
hammer or glue)

Ruler - Use this ruler to help correctly identify the screws



# Assembly Instructions

## Step 1

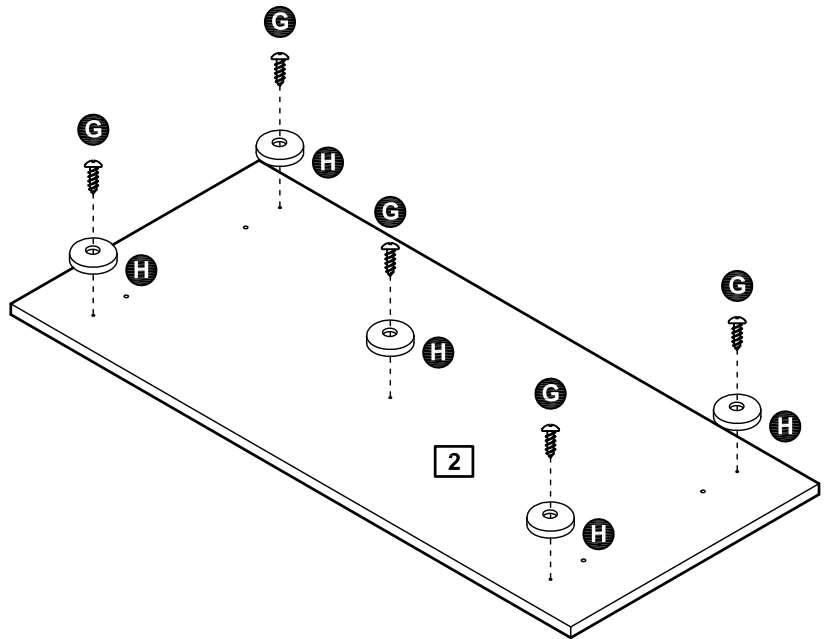
### Fitting the bottom panel

**a:** Use screws **G** to fix feet **H** onto bottom panel **2**.

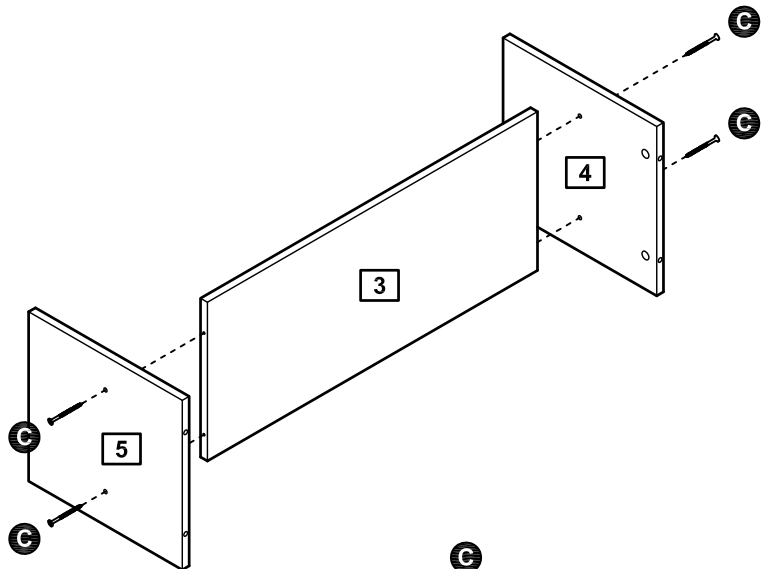
**b:** Use screws **C** to fix left side panel **4** and right side panel **5** onto shelf **3**.

**c:** Use screws **C** to fix bottom panel **2** onto the unit.

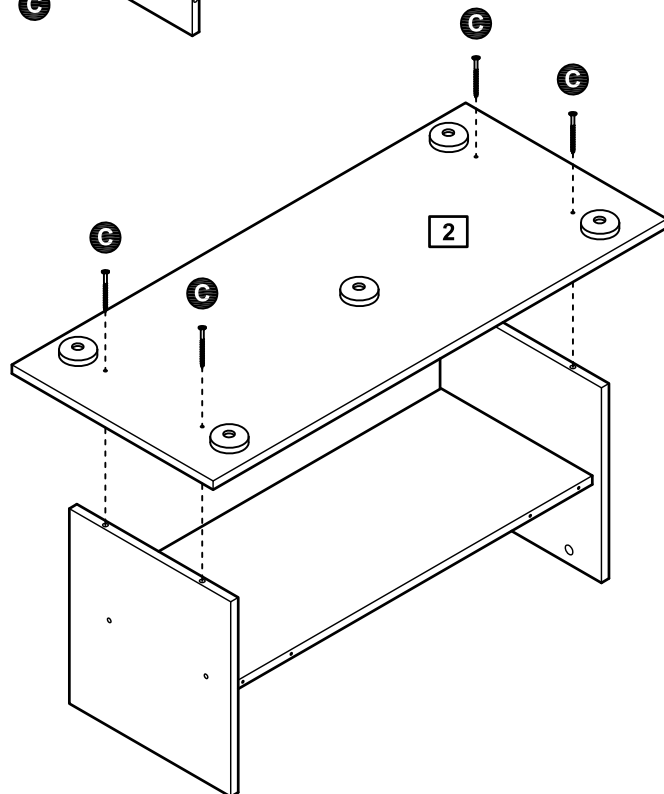
**a:**



**b:**



**c:**

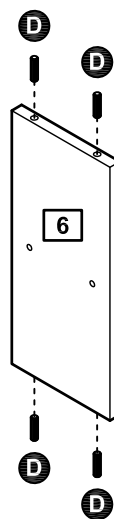


# Assembly Instructions

## Step 2

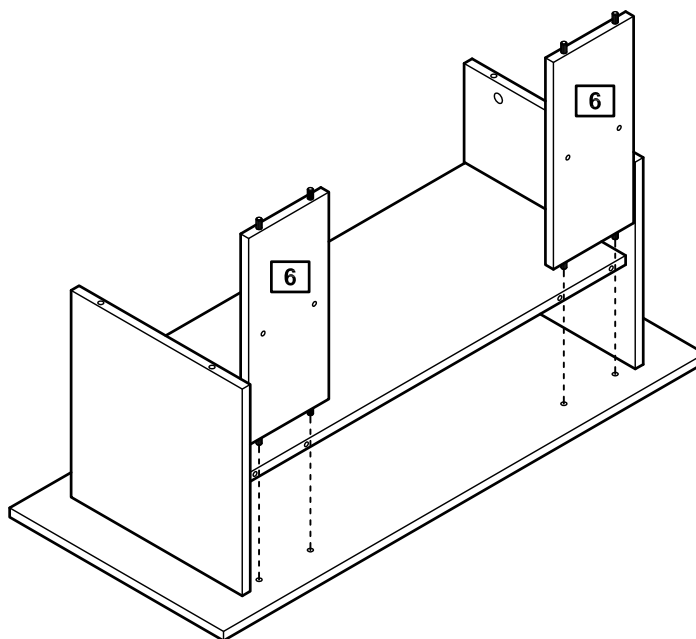
### Fitting the back supports

**a:** Insert dowels **D** into back supports **6**.



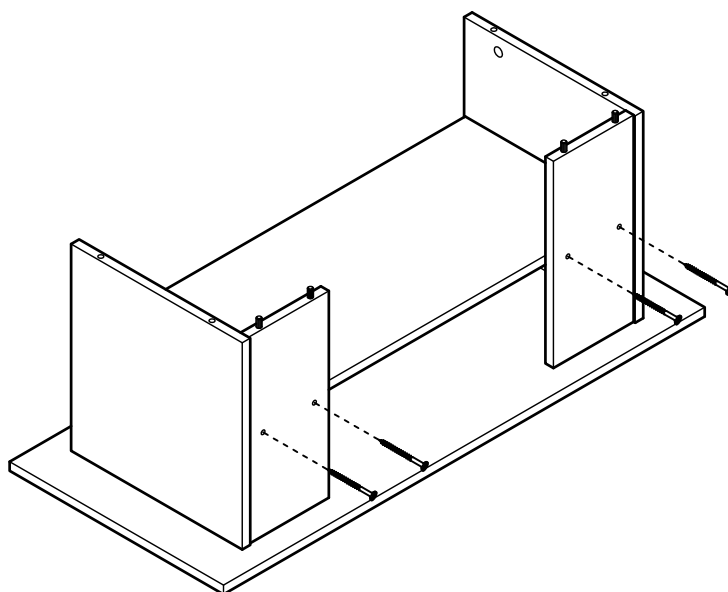
**b:** Fit back supports **6** into the unit.

**b:**



**c:** Use screws **C** to fix back supports **6** into the unit.

**c:**

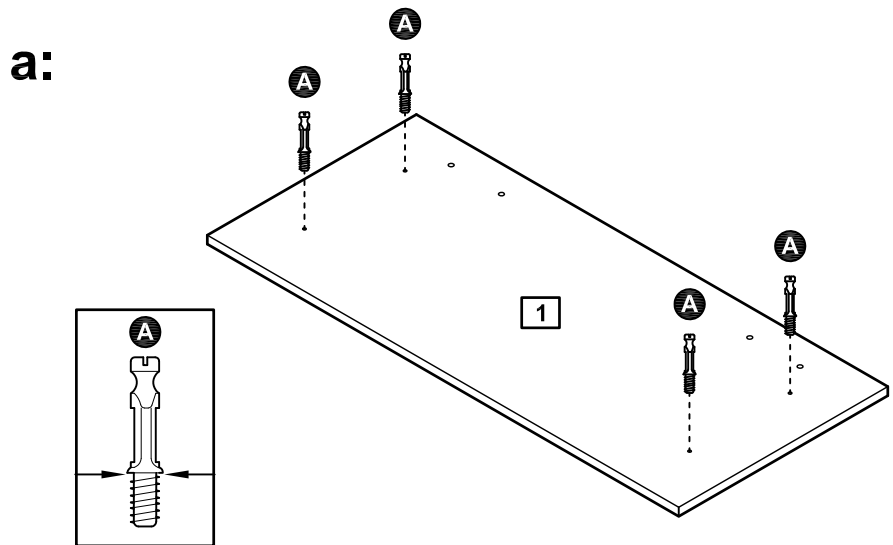


# Assembly Instructions

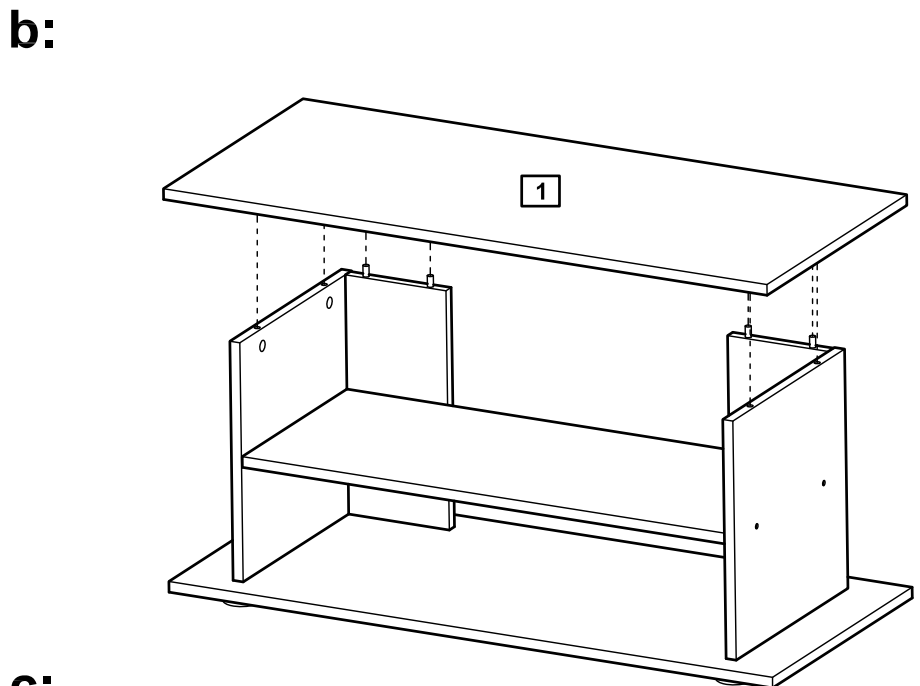
## Step 3

### Fitting the table top

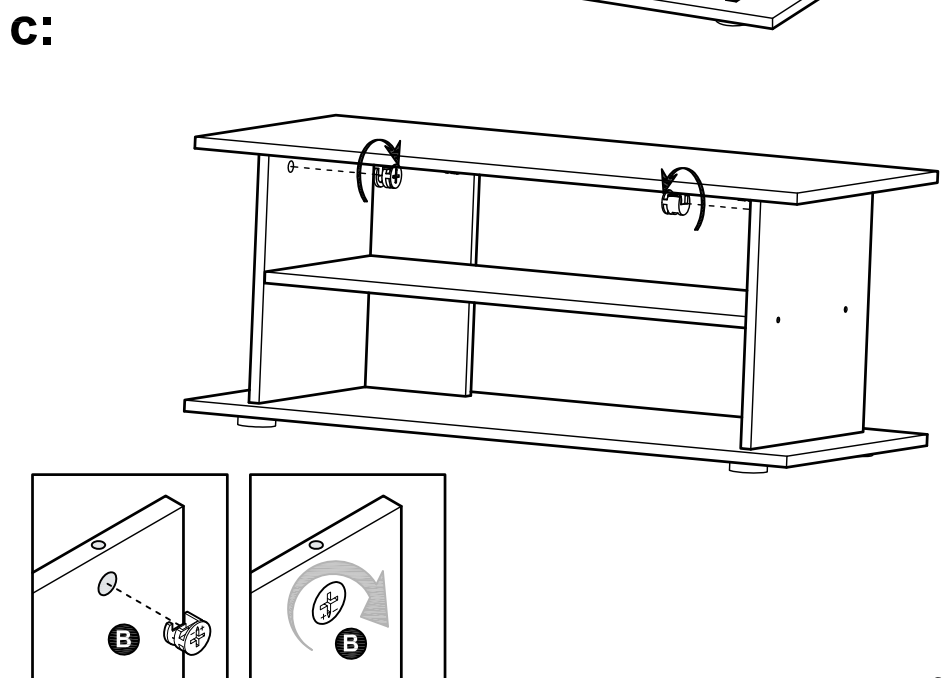
**a:** Screw locking pins **A** into table top **1**. Insert locking pins as far as shown.



**b:** Carefully place the table top **1** onto the unit.



**c:** Insert locking nuts **B** into left side panel **4** and right side panel **5**, then use a screwdriver to turn locking nuts **B** clockwise to lock.



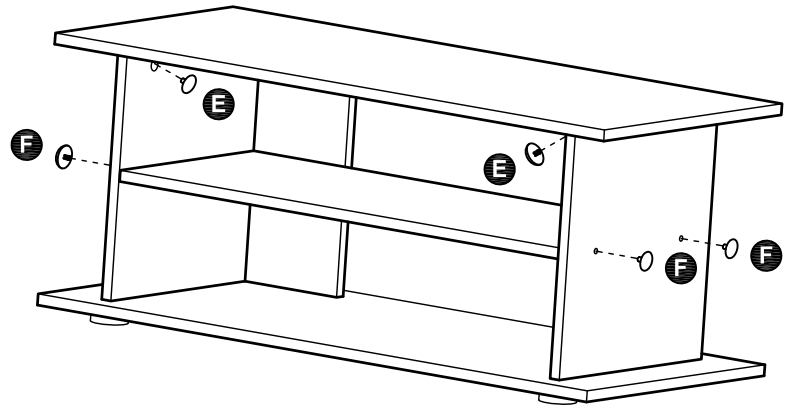
# Assembly Instructions

## Step 4

### Finish the unit

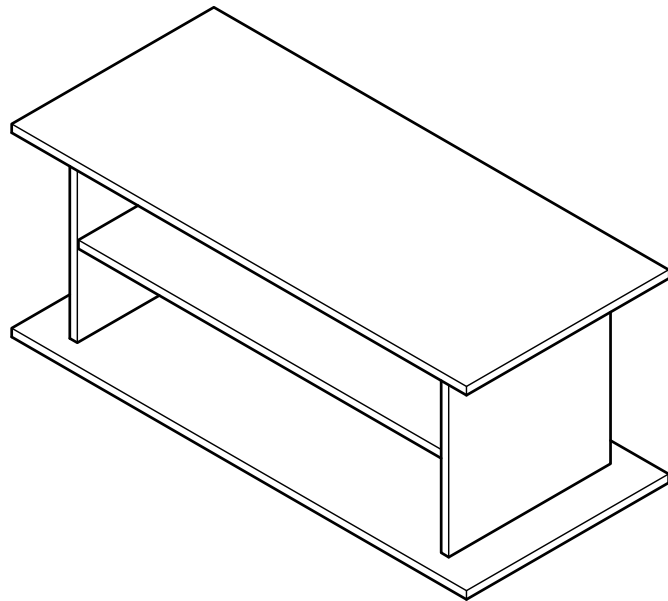
**a:** Use plastic plugs **E** and **F** to cover the screw headings.

**a:**



**b:** With help, place the unit in the intended position.

**b:**



**Assembly is complete.**

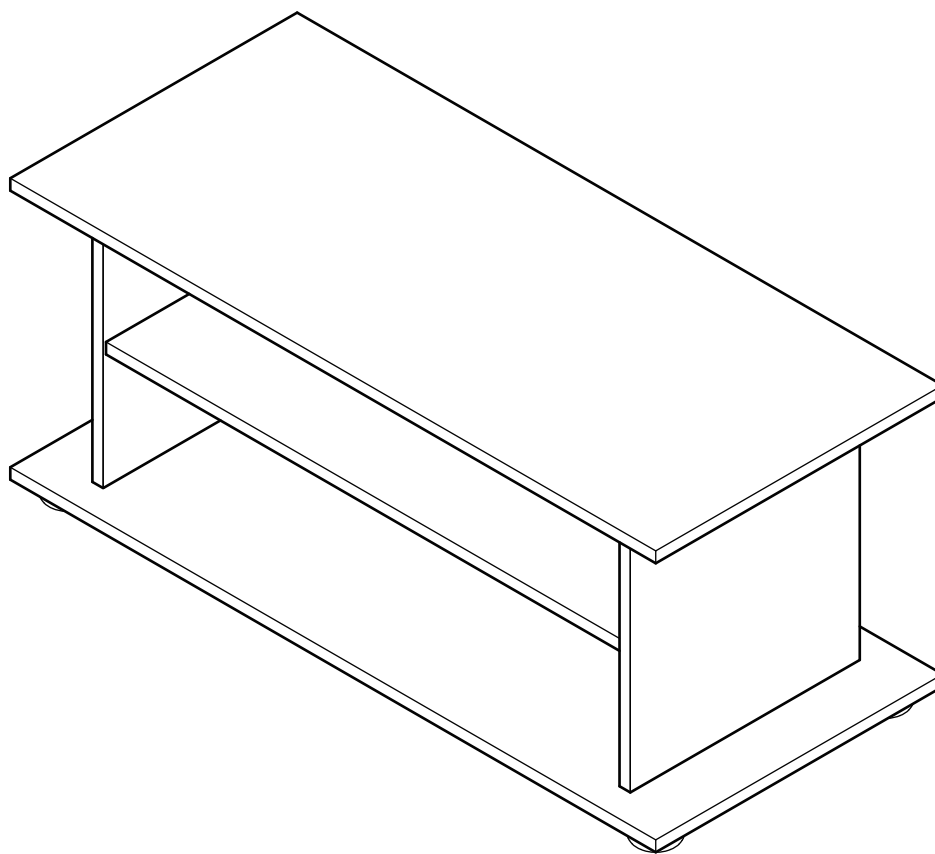
If you need help or have damaged or missing parts, call the **Customer Helpline: 0345 640 0800**



# Black Large TV Unit

Assembly Instructions - Please keep for future reference

609/6276



## Dimensions

Width - 90.1cm

Depth - 40cm

Height - 38cm

**Important** - Please read these instructions fully before starting assembly

If you need help or have damaged or missing parts, call the Customer Helpline: 08456 400800



# Safety and Care Advice

**Important - Please read these instructions fully before starting assembly**

- Check you have all the components and tools listed on pages 2 and 3.
- Remove all fittings from the plastic bags and separate them into their groups.
- Keep children and animals away from the work area, small parts could choke if swallowed.
- Make sure you have enough space to layout the parts before starting.

- Do not stand on the product, this could cause damage.
- Assemble the item as close to its final position (in the same room) as possible.
- Assemble on a soft level surface to avoid damaging the unit or your floor.
- Parts of the assembly will be easier with 2 people.



- We do not recommend the use of power drill/drivers **for inserting screws**, as this could damage the unit. Only use hand screwdrivers.
- Dispose of all packaging carefully and responsibly.

## Care and maintenance

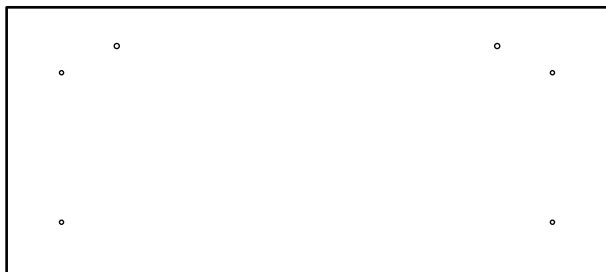
- Only clean using a damp cloth and mild detergent, do not use bleach or abrasive cleaners.
- From time to time check that there are no loose screws on this unit.
- This product should not be discarded with household waste. Take to your local authority waste disposal centre.

**Note:** if required the next page can be cut out and used as reference throughout the assembly. Keep this page with these instructions for future reference.

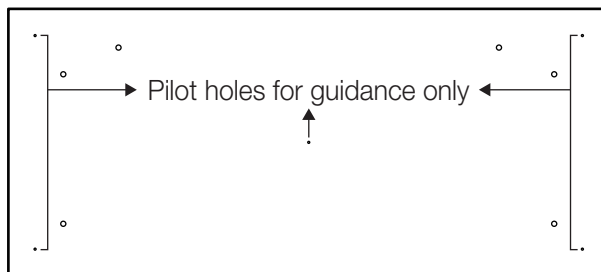
# Components - Panels

If you have damaged or missing components, call the **Customer Helpline: 08456 400800**

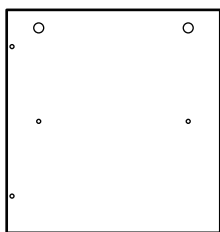
Please check you have all the panels listed below



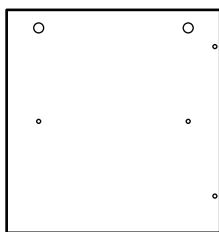
**1** Top panel (90 x 40cm)



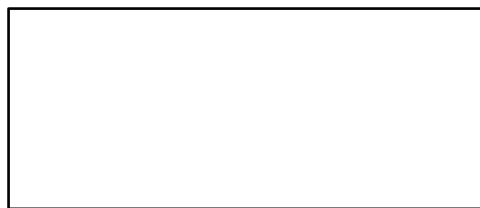
**2** Bottom panel (90 x 40cm)



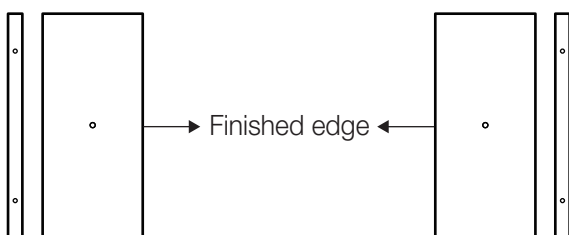
**3** Right side panel  
(32 x 33.4cm)



**4** Left side panel  
(32 x 33.4cm)



**5** Shelf (72 x 30cm)



**6** Right back panel  
(15 x 33.4cm)








**7** Left back panel  
(15 x 33.4cm)



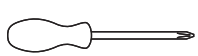
# Components - Fittings

Please check you have all the fittings listed below

**Note:** The quantities below are the correct amount to complete the assembly. in some cases more fittings may be supplied than are required.

<p><b>A</b> </p> <p>50mm Screw x 16</p>	<p><b>B</b> </p> <p>Screw cover x 8</p>	<p><b>C</b> </p> <p>Wooden dowel x 2</p>
<p><b>D</b> </p> <p>Locking pin x 4</p>	<p><b>E</b> </p> <p>Locking nut x 4</p>	<p><b>F</b> </p> <p>Foot x 5</p>
<p><b>G</b> </p> <p>14mm Screw x 5</p>		

## Tools required



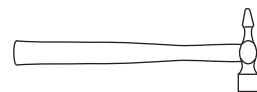
Phillips screwdriver  
(medium & large)



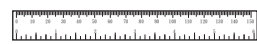
Flatblade screwdriver  
(medium)



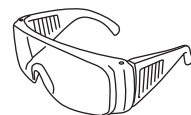
Bradawl  
(or sharp point)



Small  
hammer

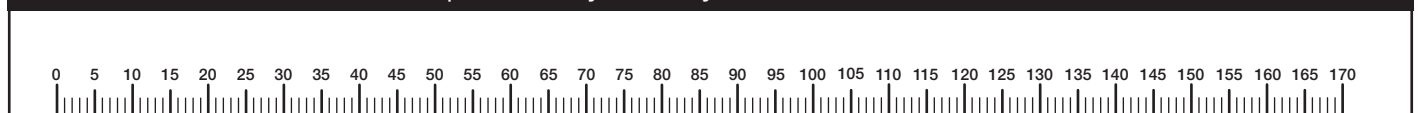


Ruler/tape  
measure



Eye protection  
(when using a  
hammer or glue)

Ruler - Use this ruler to help correctly identify the screws



# Assembly Instructions

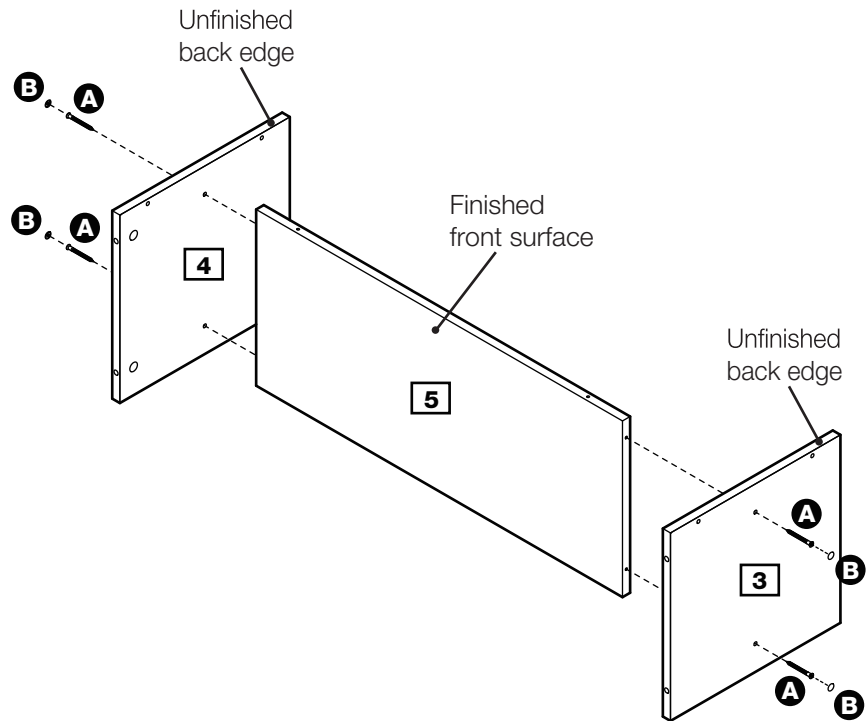
## Step 1

### Attaching side panels

**Note:** It would be useful to ask someone to help you at this stage.

Use Screws **A** to fix the Right side panel **3** and Left side panel **4** onto the Shelf **5**.

Use Screw covers **B** to cover the screw heads.

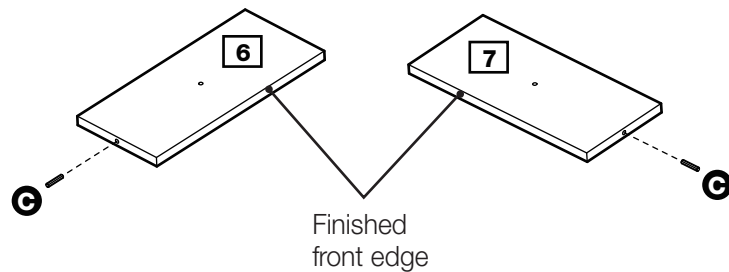


## Step 2

### Attaching back panels

**a:** Insert Wooden dowels **C** into the Right back panel **6** and Left back panel **7**.

**a:**



Continued on next page.

# Assembly Instructions

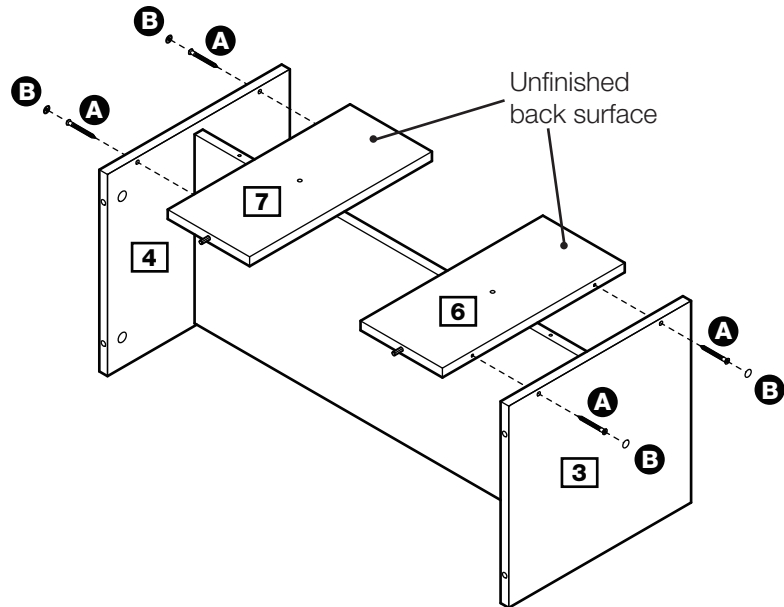
## Step 2 - continued

**b:** Use Screws **A** to fix Right back panel **6** onto the Right side panel **3**.

Use Screws **A** to fix Left back panel **7** onto the Left side panel **4**.

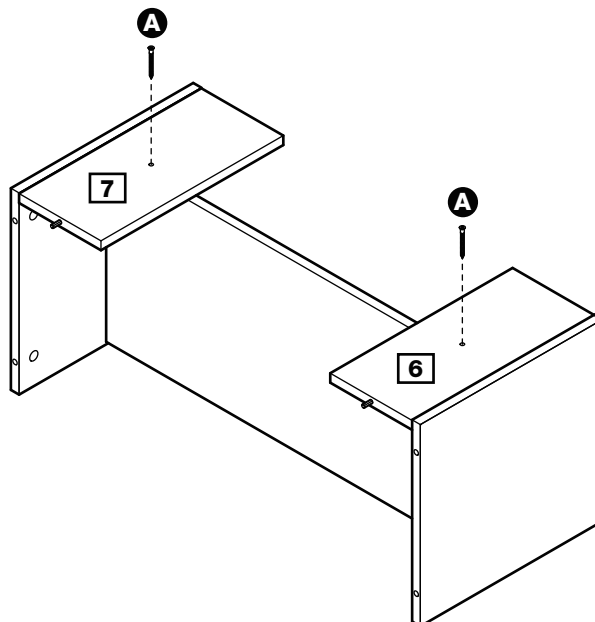
Use Screw cover **B** to cover the screw heads.

**b:**



**c:** Use Screws **A** to fix Right back panel **6** and Left back panel **7** onto the unit.

**c:**



# Assembly Instructions

## Step 3

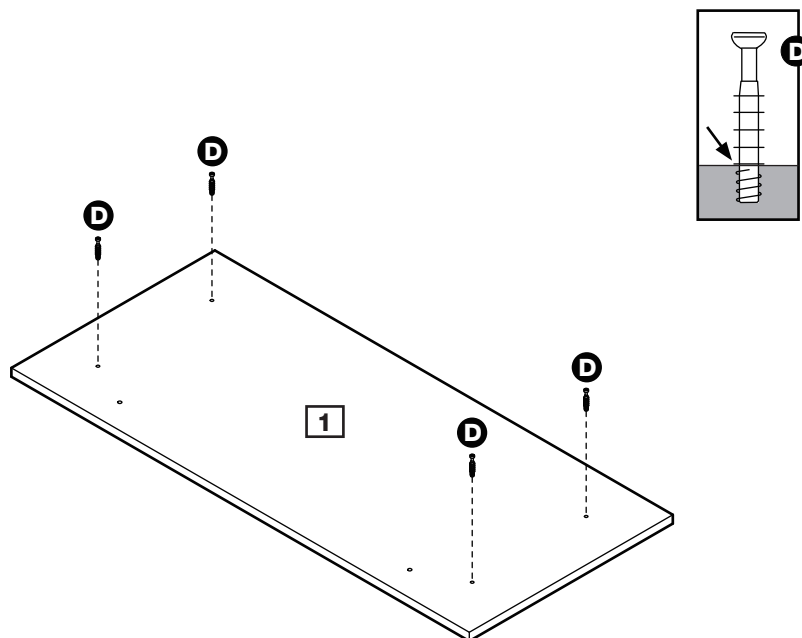
### Attaching top panel

**a:** Screw Locking pins **D** into the Top panel **1**.

**Note:** Insert Locking pins as far as shown.

**Do not over tighten.**

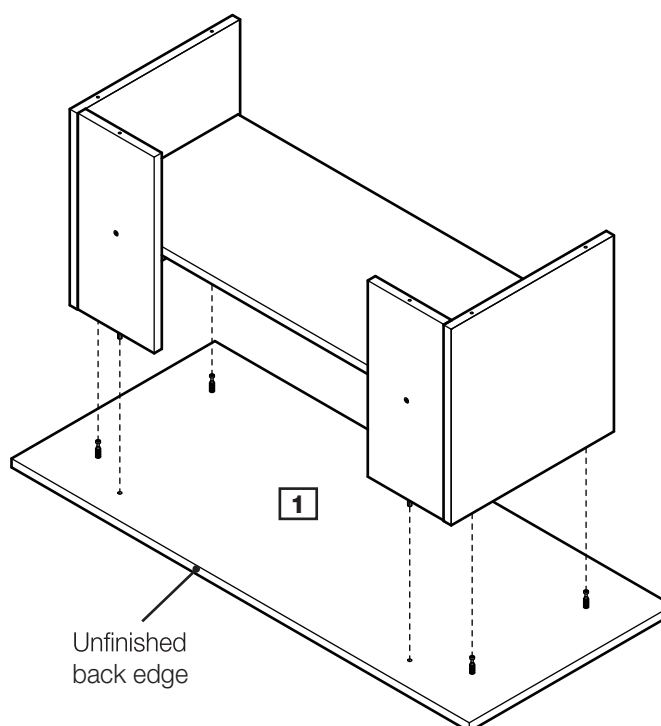
**a:**



**Note:** It would be useful to ask someone to help you at this stage.

**b:** Position unit onto the Top panel **1**.

**b:**



Continued on next page.

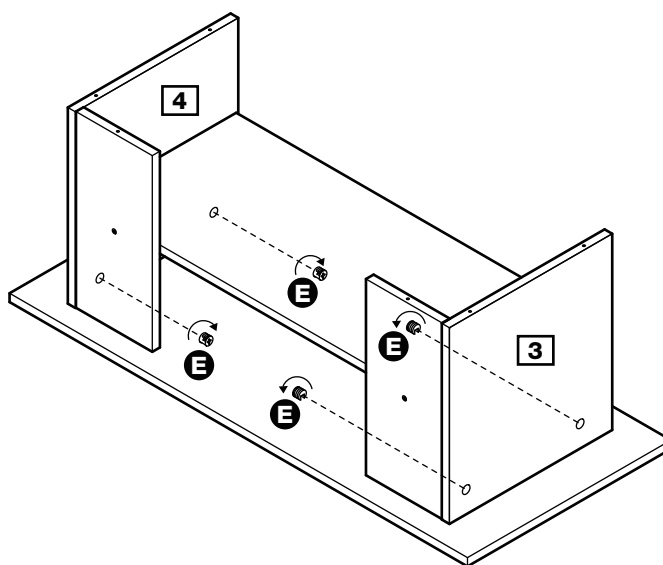
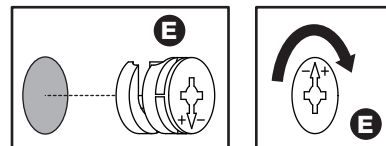
# Assembly Instructions

## Step 3 - continued

**C:** Insert Locking nuts **E** into the Right side panel **3** and Left side panel **4**.

Use a screwdriver to turn Locking nuts **E** clockwise to lock.

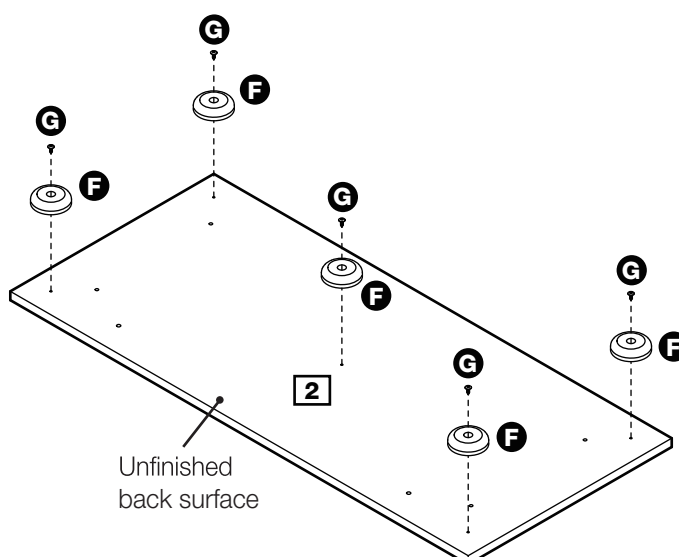
**C:**



## Step 4

### Attaching feet

Use Screws **G** to fix Feet **F** onto the Bottom panel **2**.



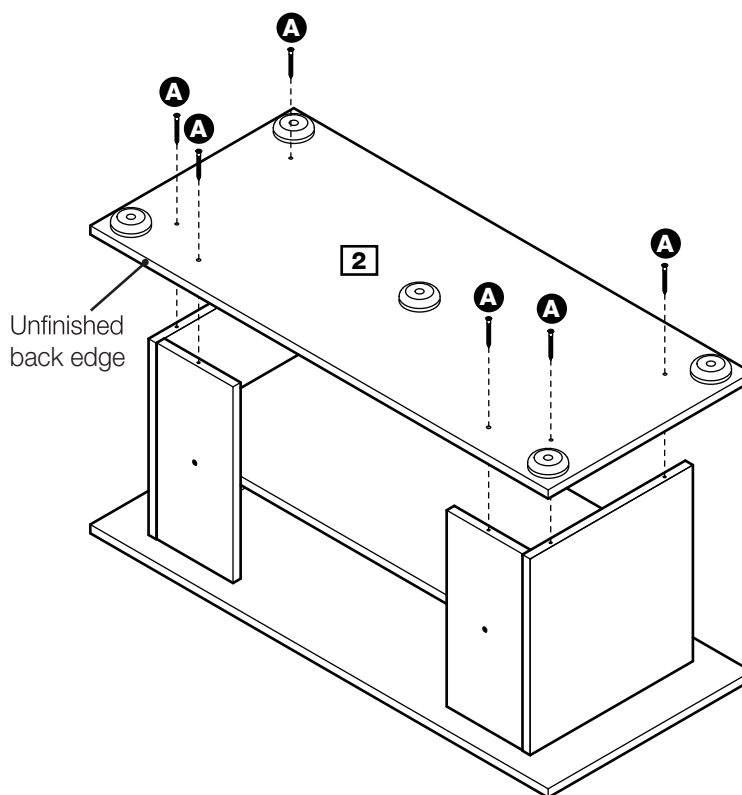


# Assembly Instructions

## Step 5

### Attaching bottom panel

Use Screws **A** to fix Bottom panel **2** onto the unit.



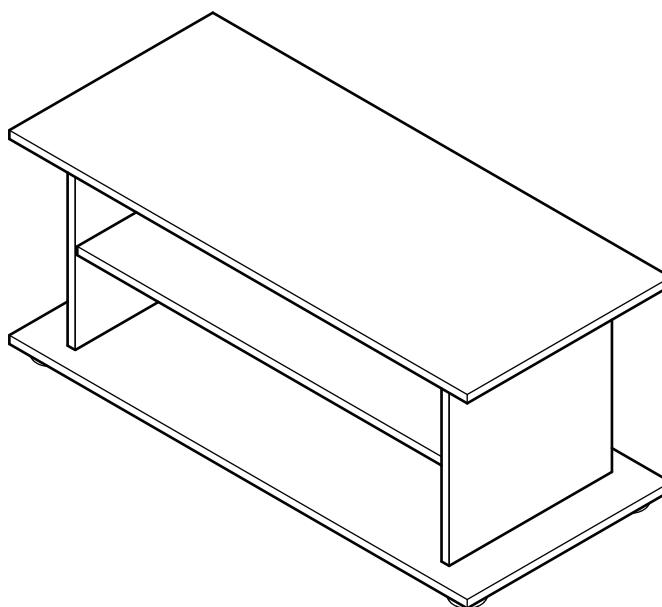
## Step 6

### Finishing the unit

**Note:** It would be useful to ask someone to help you at this stage.

Carefully stand the TV unit upright.

Place the TV unit in the intended position.



**Assembly is complete.**

If you need help or have damaged or missing parts, call the **Customer Helpline: 08456 400800**