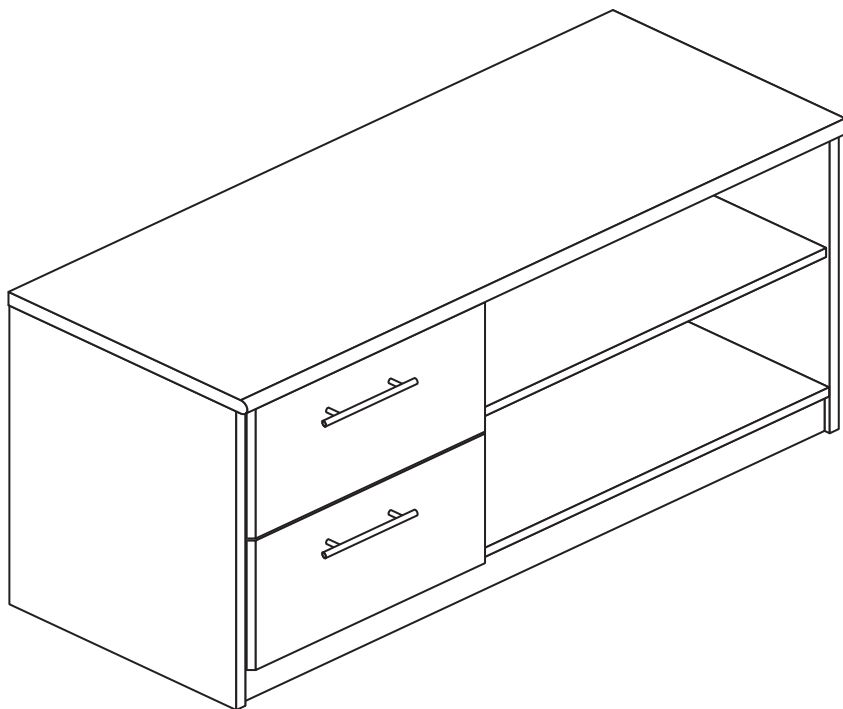


Anderson - TV Unit

Assembly Instructions - Please keep for future reference

609/5521

609/5514



Dimensions

Width - 100cm

Depth - 39.5cm

Height - 51.7cm



**MADE IN
BRITAIN**

Important - Please read these instructions fully before starting assembly

If you need help or have damaged or missing parts, call the **Customer Helpline: 08456 400800**



Safety and Care Advice

Important - Please read these instructions fully before starting assembly

- **Warning:** This unit weighs approximately 24kgs. Please lift with care.

- Check you have all the components and tools listed on pages 2 and 3.

- Remove all fittings from the plastic bags and separate them into their groups.

- Keep children and animals away from the work area, small parts could choke if swallowed.

- Parts of the assembly will be easier with 2 people.

- Make sure you have enough space to layout the parts before starting.

- Do not stand or put weight on the product, this could cause damage.

- Assemble the item as close to its final position (in the same room) as possible.

- Assemble on a soft level surface to avoid damaging the unit or your floor (use opened out unit carton).



- We do not recommend the use of power drill/drivers **for inserting screws**, as this could damage the unit. Only use hand screwdrivers.

- **Safety note:** If there is any chance of this unit being pulled over by children etc. it is recommended that the unit is secured to a wall using suitable fixings (not supplied).

- Dispose of all packaging carefully and responsibly.

Care and maintenance

- Only clean using a damp cloth and mild detergent, do not use bleach or abrasive cleaners.

- From time to time check that there are no loose screws on this unit.

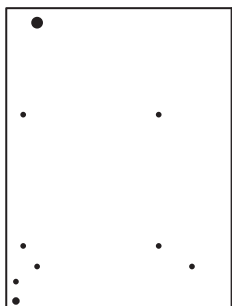
- This product should not be discarded with household waste. Take to your local authority waste disposal centre.

Note: If required the next page can be cut out and used as reference throughout the assembly. Keep this page with these instructions for future reference.

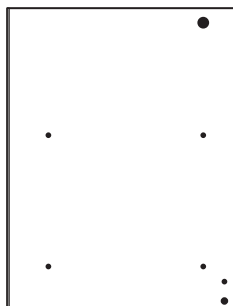
Components - Panels

If you have damaged or missing components, call the **Customer Helpline: 08456 400800** quoting the reference numbers below

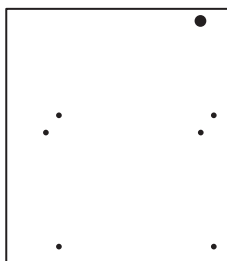
Please check you have all the panels listed below



1 Left Side (D1499A)
(495 x 375mm)



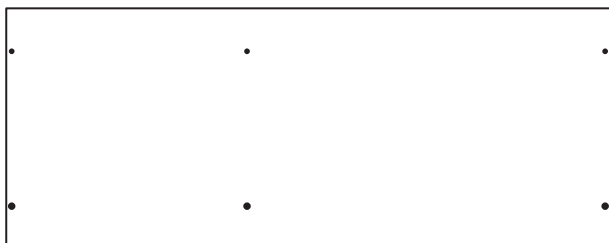
2 Right Side (D1500A)
(495 x 375mm)



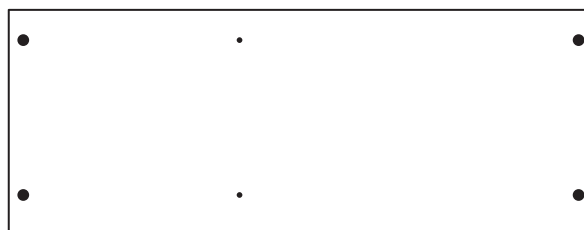
3 Divider (D1502A)
(419.5 x 370mm)



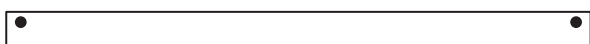
4 Shelf (D1506A)
(577 x 369mm)



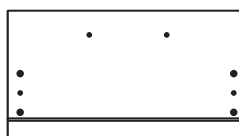
5 Top (D1501A)
(999 x 395mm)



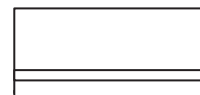
6 Base (D1503A)
(966 x 371mm)



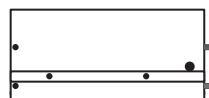
7 Plinth (D1505A)
(966 x 60mm)



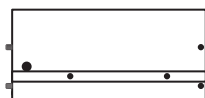
8 Drawer Front (D1504A)
(394 x 214mm) x 2



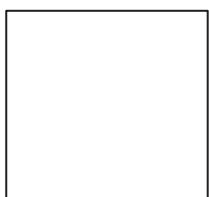
9 Drawer Back (W526)
(322 x 150mm) x 2



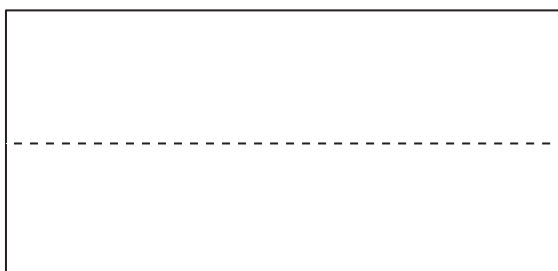
10 Left Drawer Side (W415LH)
(320 x 150mm) x 2



11 Right Drawer Side (W415RH)
(320 x 150mm) x 2



12 Drawer Base (T526)
(333 x 317mm) x 2



13 Back (X883)
(926 x 440mm)

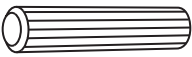
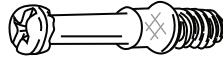
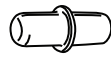
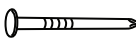






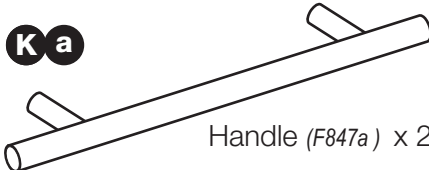



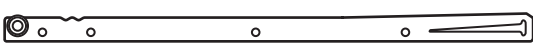
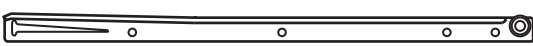


Components - Fittings

If you have damaged or missing components, call the **Customer Helpline: 08456 400800** quoting the reference numbers below

Please check you have all the fittings listed below

Note: The quantities below are the correct amount to complete the assembly. In some cases more fittings may be supplied than are required.

<p>A </p> <p>Wooden dowel (F22) x 5</p>	<p>B </p> <p>Metal dowel (F901) x 13</p>	<p>C </p> <p>Shelf stud (F110) x 4</p>
<p>D </p> <p>Nail (F51) x 21</p>	<p>E </p> <p>Large locking nut (F900) x 9</p>	<p>F </p> <p>Small locking nut (F3) x 4</p>
<p>G </p> <p>13mm Screw (F52) x 8</p>	<p>H </p> <p>13mm Screw (F63) x 8</p>	<p>I </p> <p>Knock-in Peg (F171) x 8</p>
<p>J </p> <p>40mm Screw (F910) x 2</p>	<p>K a  Handle (F847a) x 2</p> <p>K b  Handle Screw (F847b) x 4</p>	
<p>L a  L Runner (F159) x 2</p> <p>L b  R Runner (F160) x 2</p> <p>L c  L Runner (F161) x 2</p> <p>L d  R Runner (F162) x 2</p>		

Tools required



Rule



Cross-head screwdriver



Scissors

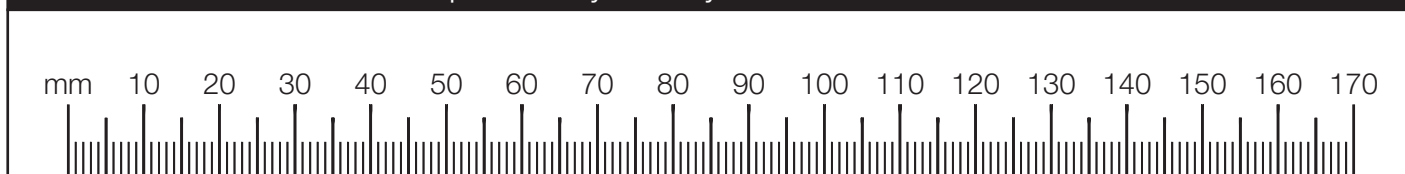


Hammer



Eye protection
(when using a hammer or drill)

Ruler - Use this ruler to help correctly identify the screws



Assembly Instructions

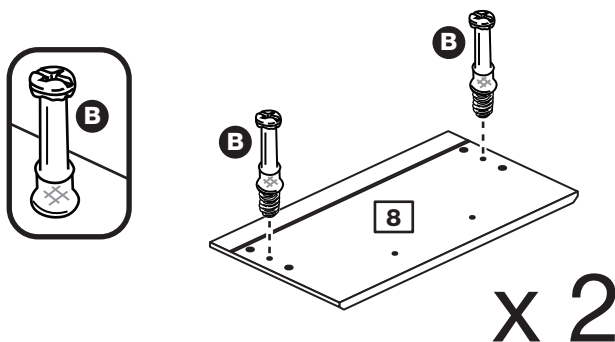
If you have damaged or missing components, call the
Customer Helpline: 08456 400800 quoting the reference
numbers below

Step 1

Prepare the drawer fronts

Screw 2 metal dowels **B** into the holes shown on the back of the drawer front **8**.

Note: Tighten metal dowels up fully against the panels.

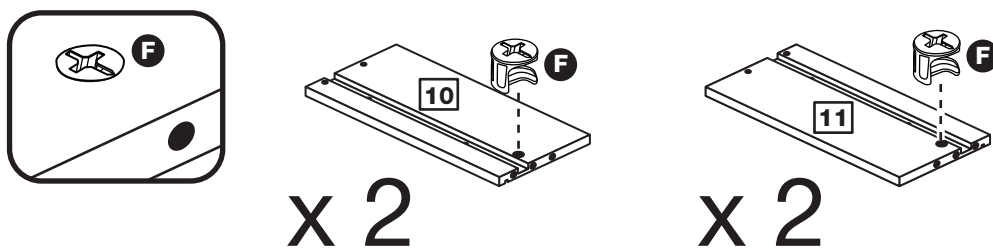


Step 2

Prepare the drawer sides

Insert a small locking nut **F** into the hole shown on the left drawer side **10** and right drawer side **11**.

Note: Arrow on locking nut **must** point towards hole in edge of panel.



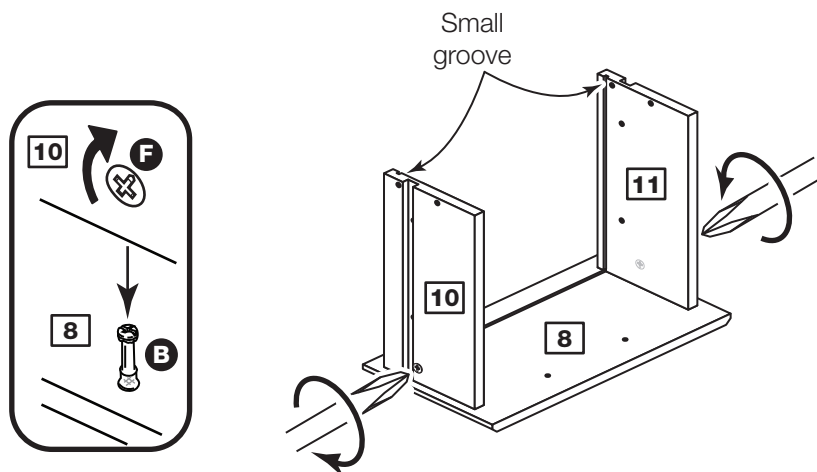
Step 3

Attach the drawer sides to the drawer front

Push the left drawer side **10** and right drawer side **11** onto the back of the drawer front **8**.

Turn the small locking nuts **F** on the left drawer side **10** and right drawer side **11**.

Note: Turn the locking nuts **D** clockwise to secure panels - more than 1/2 a turn.

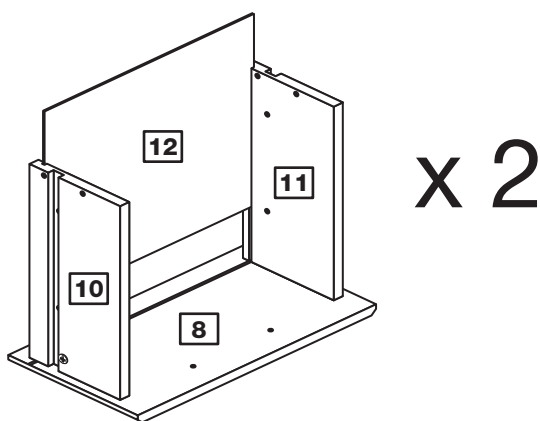


Assembly Instructions

Step 4

Fit the drawer base

Slide the drawer base **12** down the grooves in the drawer sides **10** and **11** and down into the groove in the drawer front **8**.



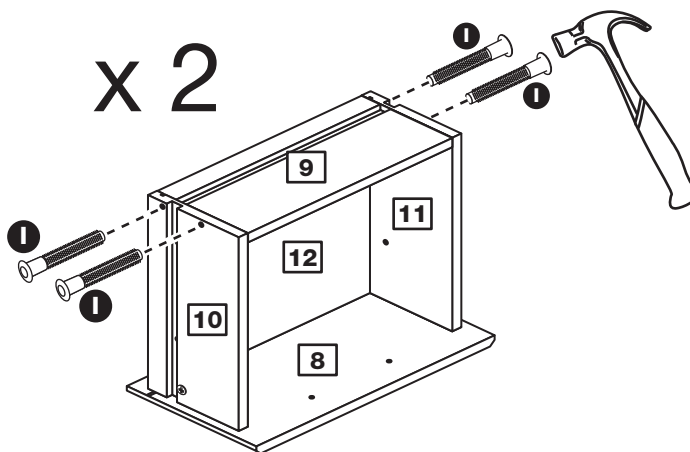
Step 5

Fit the drawer back

Fit the drawer back **9** between the drawer sides **10** and **11**.

Make sure that the drawer base **12** fits into the groove in the drawer back **9**.

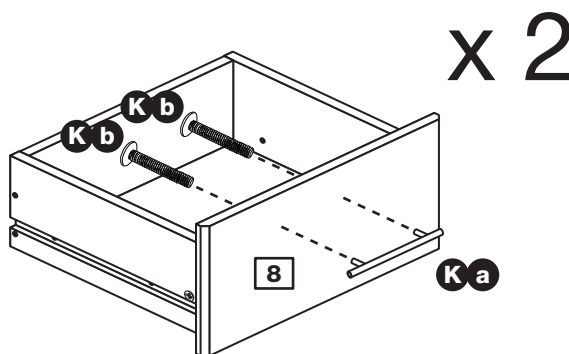
Hold the drawer back **9** in position and tap the knock-in pegs **1** through the holes in the drawer sides **10** and **11**.



Step 6

Attach the handle

Attach the handle **K a** to the drawer front **8** using 2 screws **K b**.



Assembly Instructions

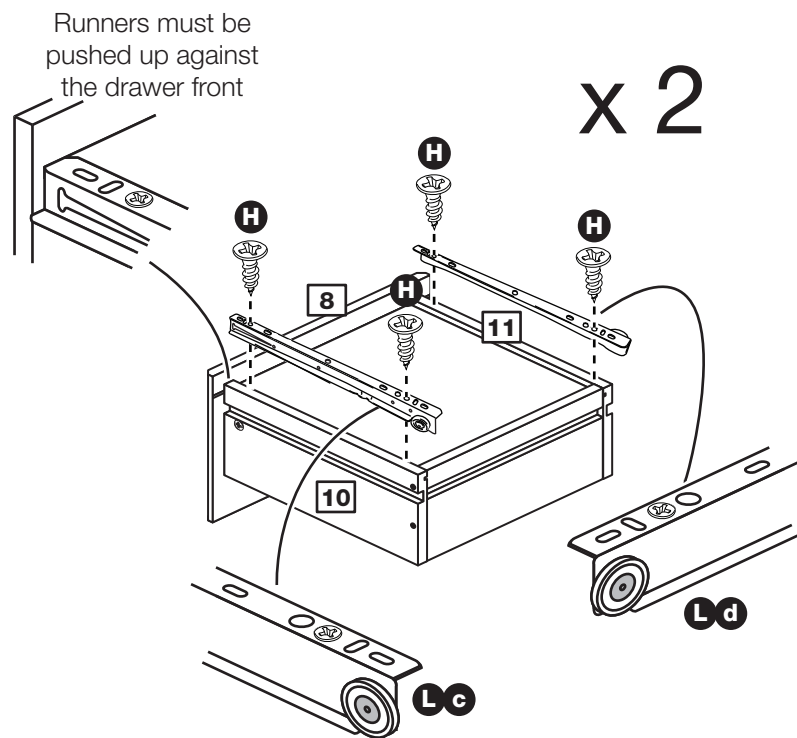
Step 7

Fit runners to the drawers

Turn the drawer assemblies over.

Fit the runner **Lc** to the bottom edge of the left drawer side **10**, as shown, making sure that it is pushed up against the back of the drawer front **8**. Use a bradawl to mark the fixing positions, then secure with 2 screws **H**.

Fit the runner **Ld** to the bottom edge of the right drawer side **11** using the same method.



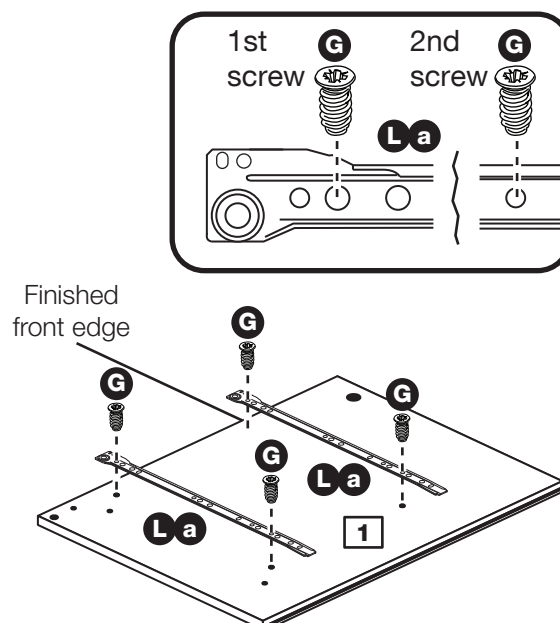
Step 8

Prepare the left side

Fit 2 runners **La** to the left side **1**.

The 1st screw **G** uses the 2nd hole in from the front of the runner **La**.

The 2nd screw **G** uses the hole that lines up with the other panel hole.



Assembly Instructions

Step 9

Finish preparing the left side

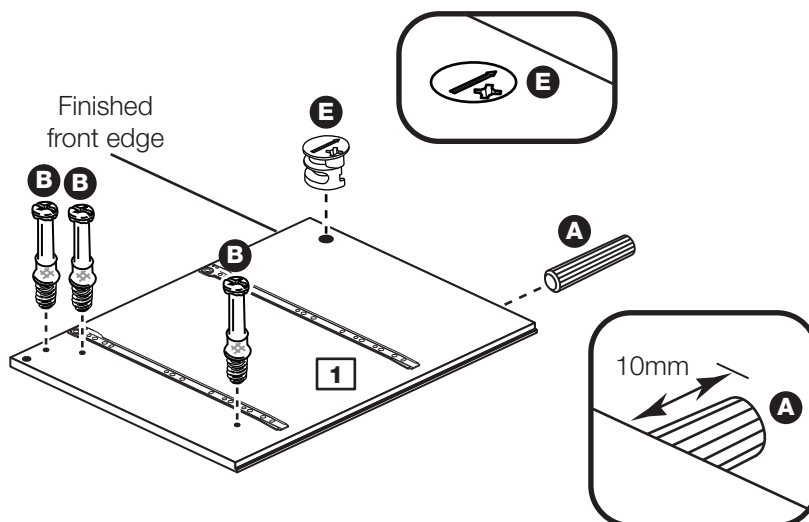
Tap a wooden dowel **A** into the left side **1**.

Note: Wooden dowels **must not** stick out from the edge by more than 10mm or they may damage other panels.

Screw 3 metal dowels **B** into the left side **1**.

Insert a large locking nut **E** into the left side **1**.

Note: The arrow on the locking nut **must** point towards the hole in the edge of the panel.



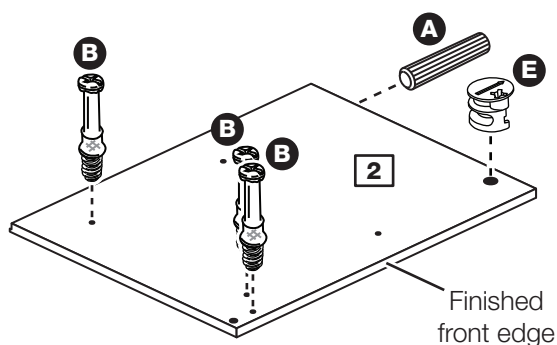
Step 10

Prepare the right side

Tap a wooden dowel **A** into the right side **2**.

Screw 3 metal dowels **B** into the right side **2**.

Insert a large locking nut **E** into the right side **2**.

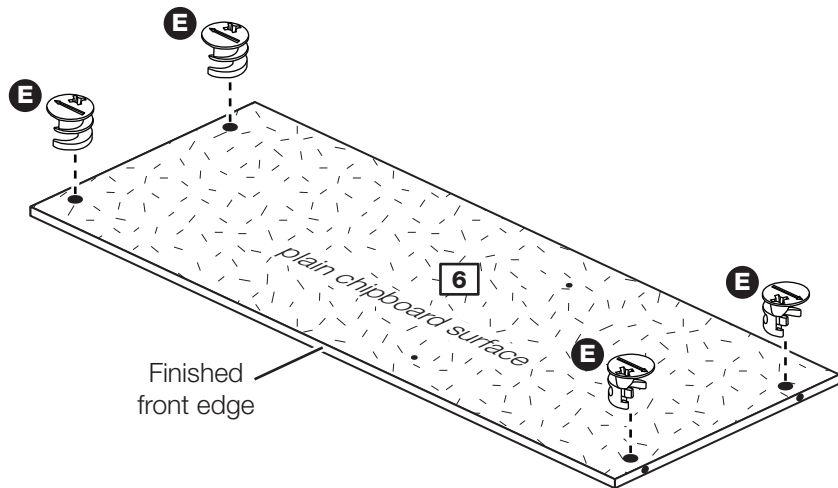


Assembly Instructions

Step 11

Prepare the base

Insert 4 large locking nuts **E** into the base **6**.



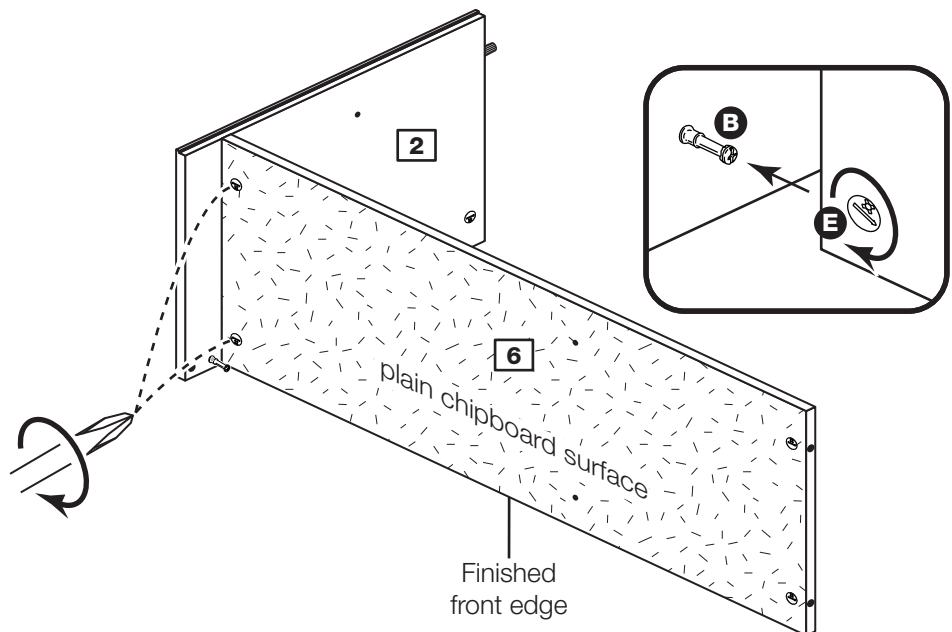
Step 12

Join the right side and base

Push the base **6** onto the right side **2**.

Use a screwdriver to tighten the 2 large locking nuts **E** fitted to the base **6**.

Note: Turn the large locking nuts **E** as far as they will go - more than 1/2 a turn.



Step 13

Prepare the divider

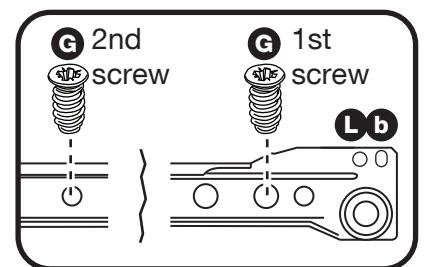
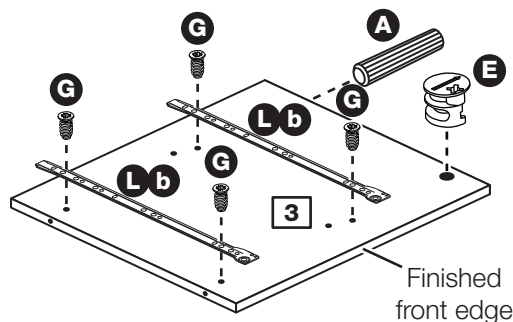
Fit 2 runners **L b** to the divider **3**.

The 1st screw **G** uses the 2nd hole from the front of the runner.

The 2nd screw **G** uses the hole that lines up with the other panel hole.

Tap a wooden dowel **A** into the divider **3**.

Insert a large locking nut **E** into the divider **3**.

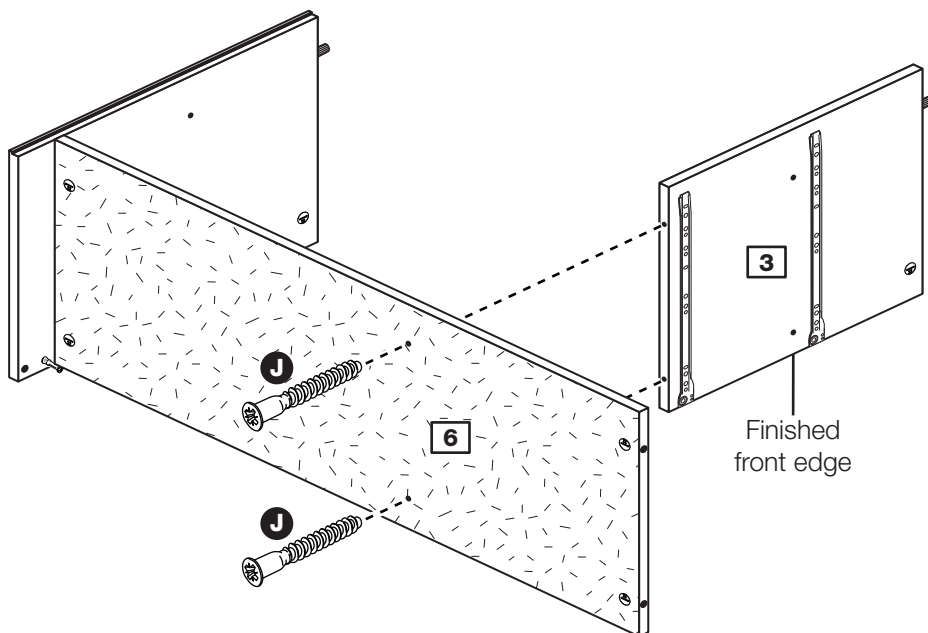


Assembly Instructions

Step 14

Fit the divider

Attach the divider **3** to the base **6** using 2 screws **J**.

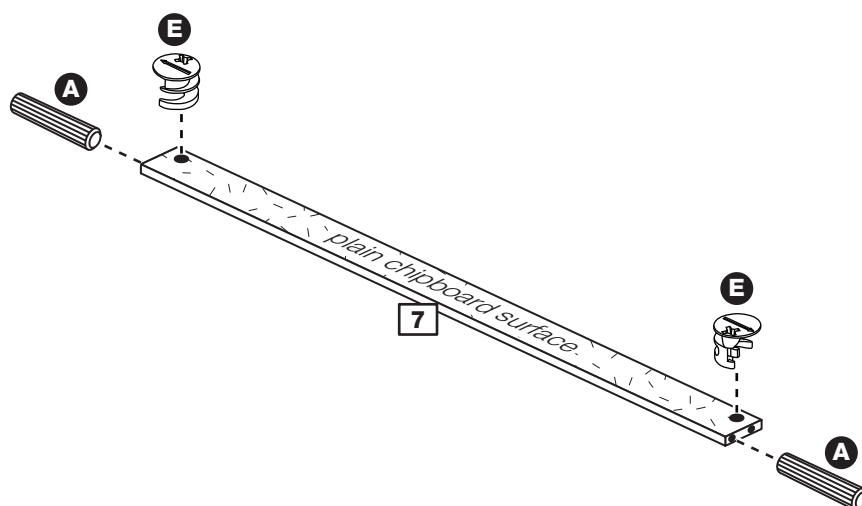


Step 15

Prepare the plinth

Tap 2 wooden dowels **A** into the plinth **7**.

Insert 2 large locking nuts **E** into the plinth **7**.

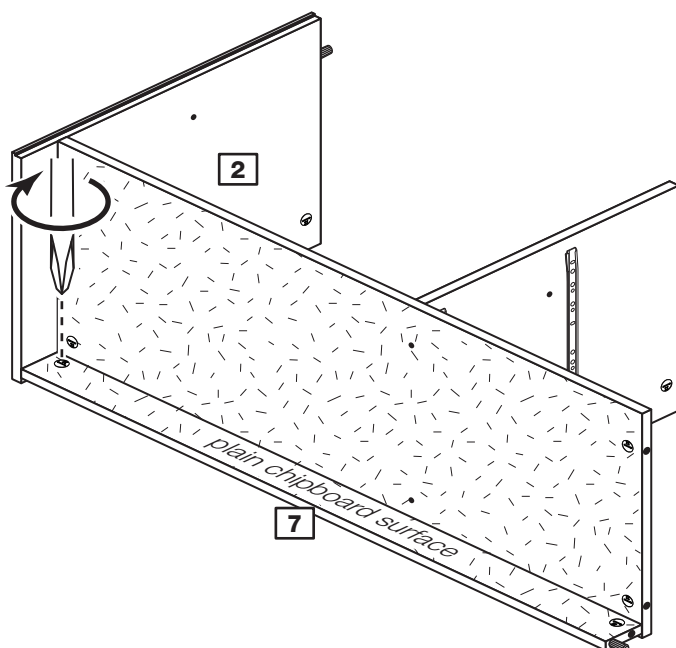


Step 16

Fit the plinth

Push the plinth **7** onto the right side **2**.

Use a screwdriver to tighten the large locking nut **E** fitted to the plinth **7**.



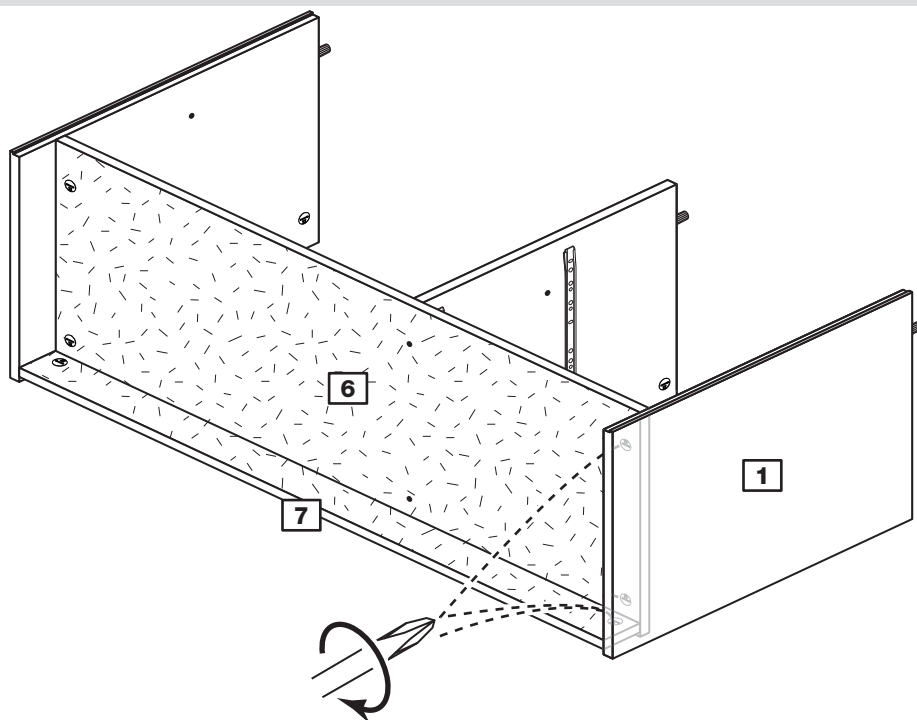
Assembly Instructions

Step 17

Fit the left side

Push the left side **1** onto the assembly.

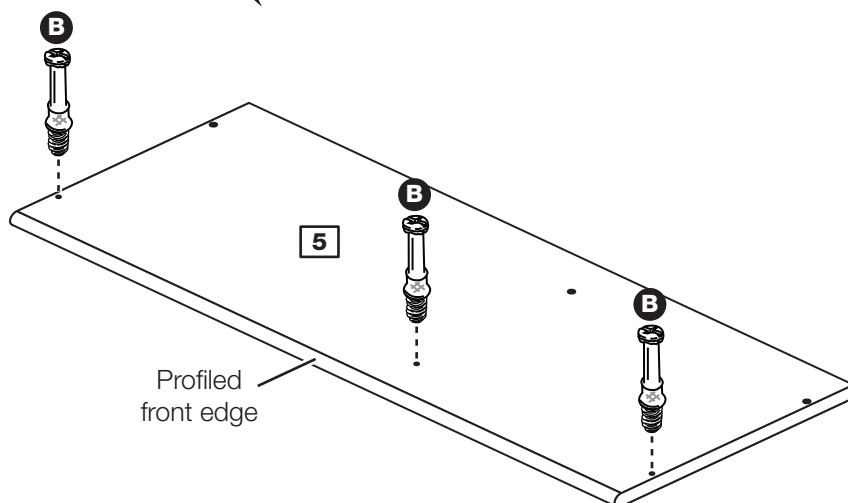
Use a screwdriver to tighten the 3 large locking nuts **E** fitted to the base **6** and the plinth **7**.



Step 18

Prepare the top

Screw 3 metal dowels **B** into the top **5**.

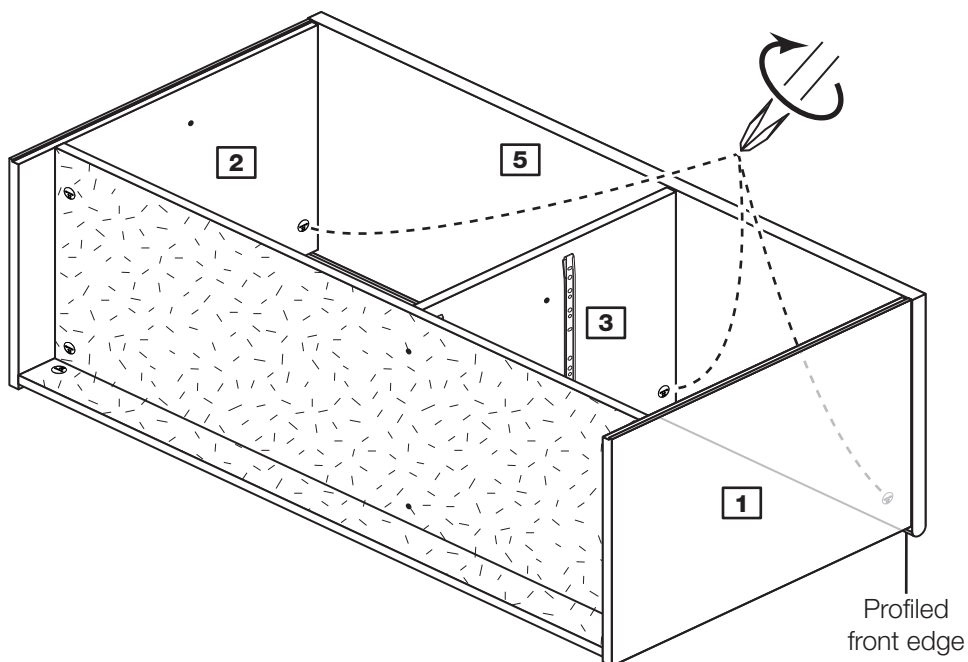


Step 19

Fit the top

Push the top **5** onto the assembly.

Use a screwdriver to tighten the 3 large locking nuts **E** fitted to the left side **1**, right side **2** and divider **3**.



Assembly Instructions

Step 20

Fit the back

a: Square up the unit by making sure that measurement **x to x** equals **y to y**.

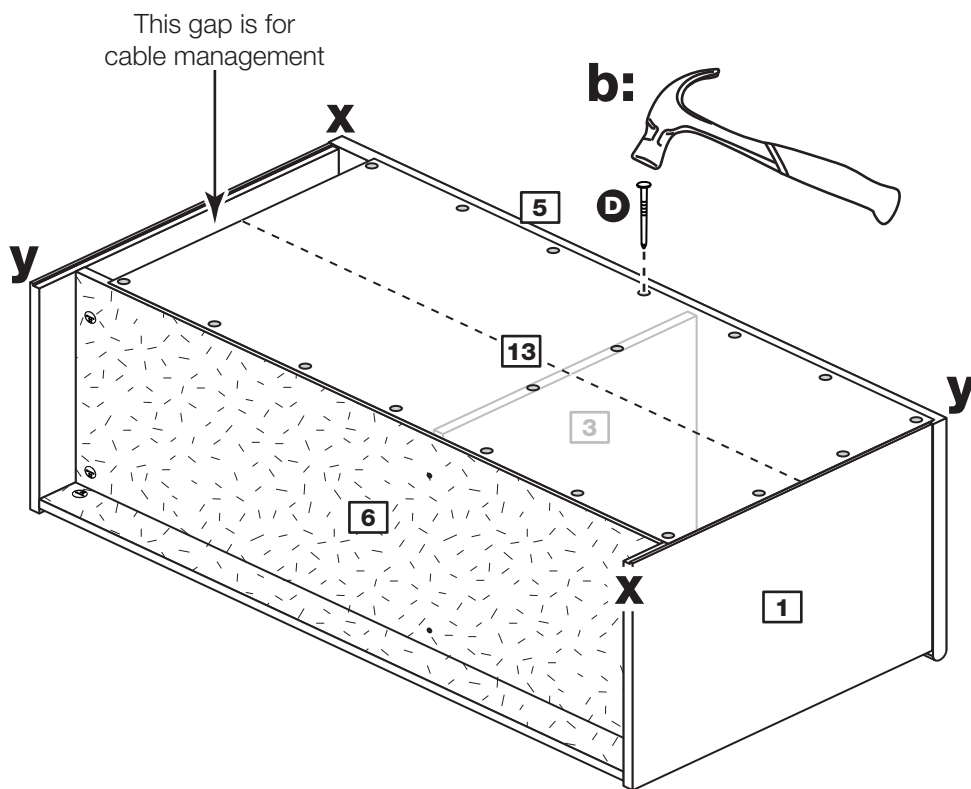
b: Place the back **13** onto the unit making sure that it is pushed into the rebate on the left side **1**.

Nail **D** the back **13** into the left side **1**, top **5**, base **6** and divider **3** as shown.

Note: Nails should be spaced about 150mm apart.

Stand the unit up for the next step.

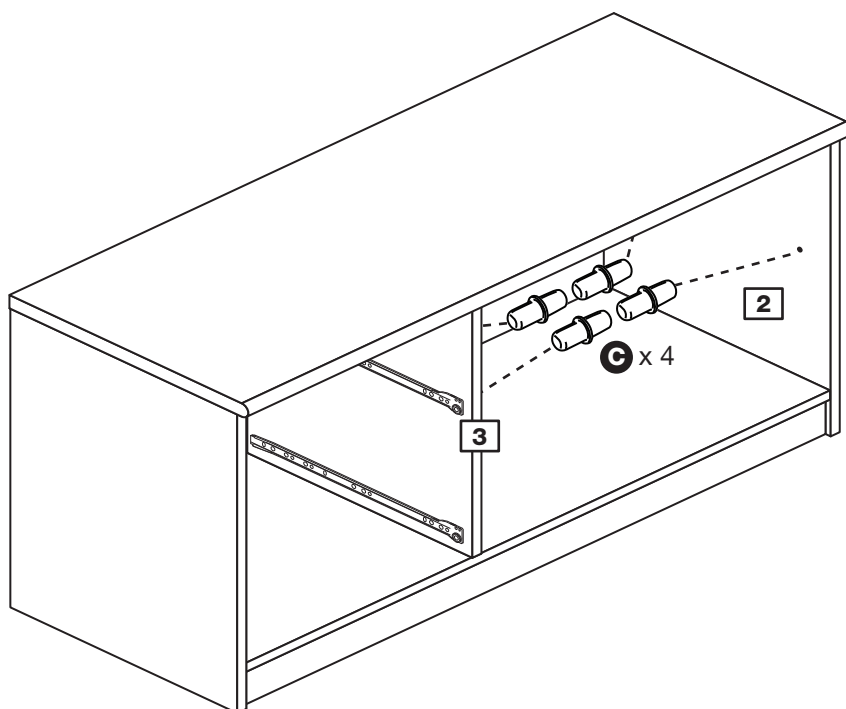
a: The measurement from top corner X to bottom corner X must be equal to the measurement from top corner Y to bottom corner Y



Step 21

Fit the shelf studs

Insert 4 shelf studs **C** into the holes on the right side **2** and divider **3**.

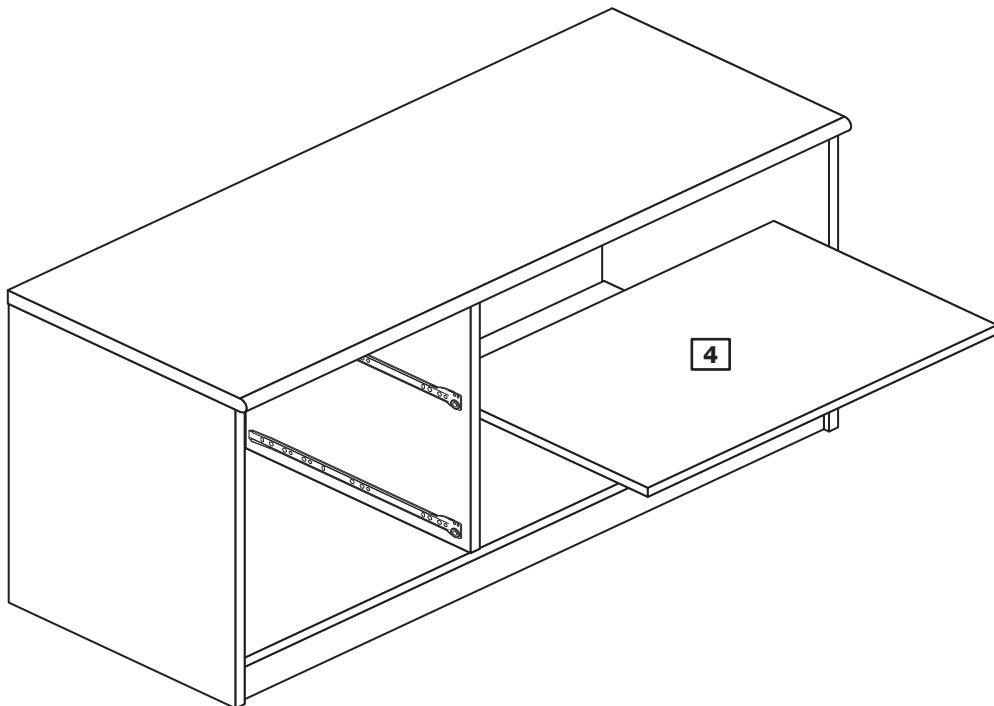


Assembly Instructions

Step 22

Fit the shelf

Lower the shelf **4** down onto the shelf studs **C**.



Step 23

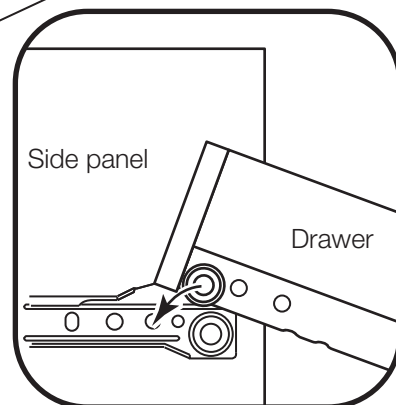
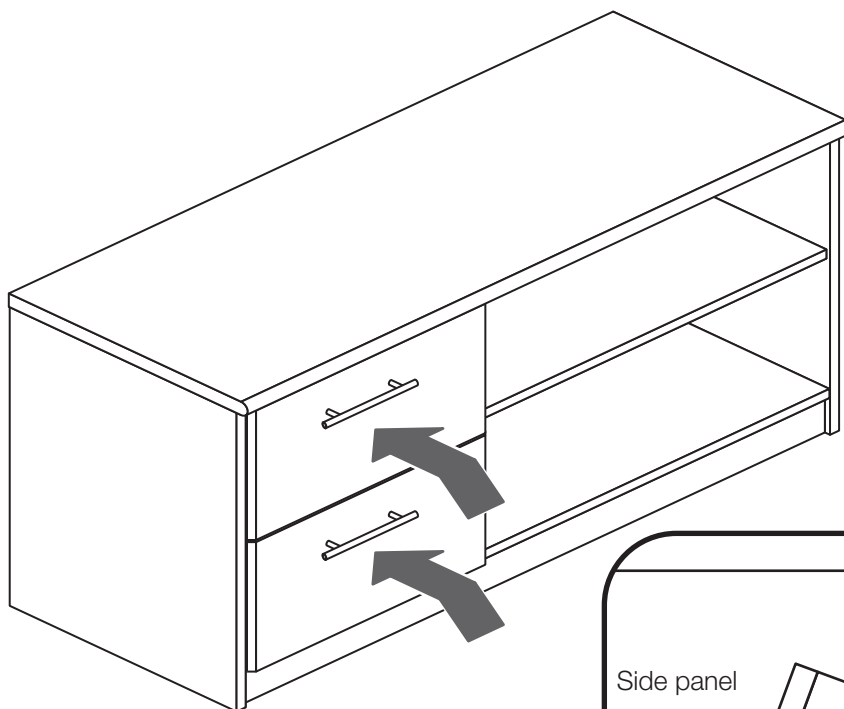
Fit the drawers

Slide the wheels of the runners fitted to the drawer, over the wheels of the runners fitted to the unit and push the drawer into position.

Assembly is complete



Warning: The unit is heavy. Lift with care.



If you need help or have damaged or missing parts, call the **Customer Helpline: 08456 400800** and quote the reference numbers on the component pages.

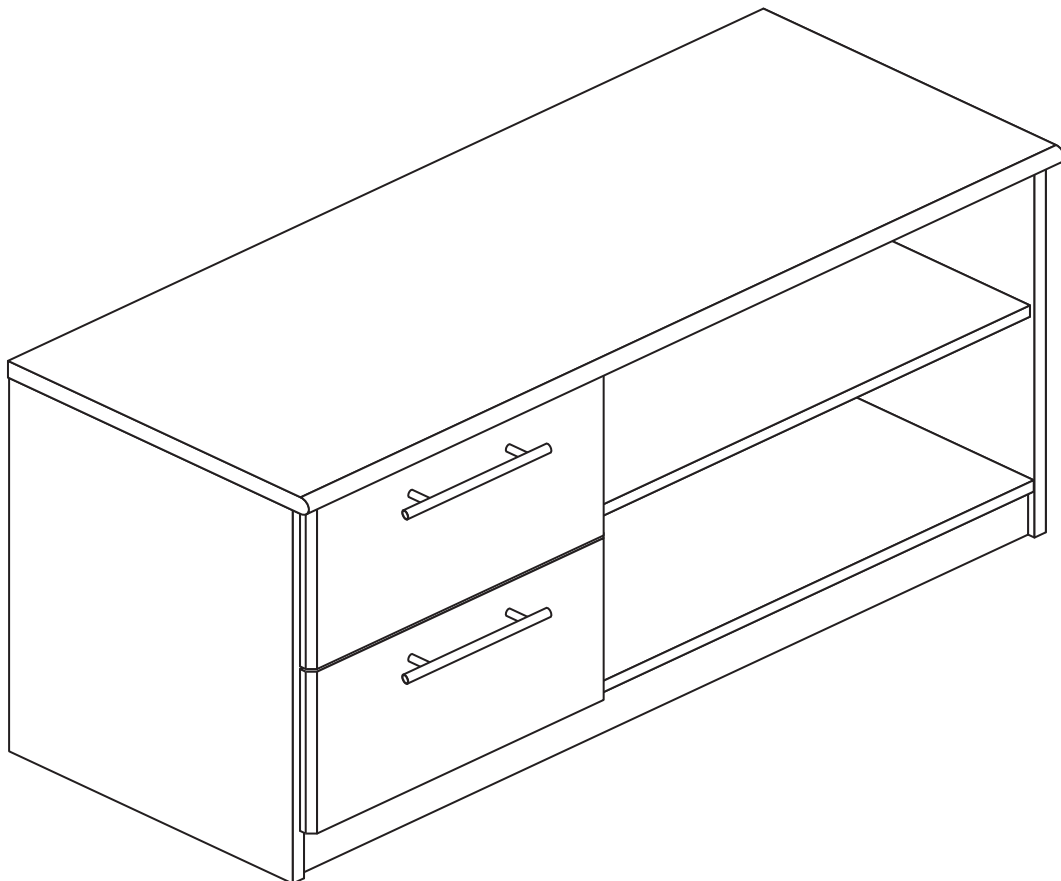
Argos Ltd, 489-499 Avebury Boulevard, Central Milton Keynes, MK9 2NW

Anderson - TV Unit

Assembly Instructions - Please keep for future reference

609/5521

609/5514



Dimensions

Width - 100cm

Depth - 39.5cm

Height - 51.7cm



**MADE IN
BRITAIN**

Important - Please read these instructions fully before starting assembly

If you need help or have damaged or missing parts, call the **Customer Helpline: 08456 400800**



Safety and Care Advice

Important - Please read these instructions fully before starting assembly

- **Warning:** This unit weighs approximately 24kgs. Please lift with care.

- Check you have all the components and tools listed on pages 2 and 3.

- Remove all fittings from the plastic bags and separate them into their groups.

- Keep children and animals away from the work area, small parts could choke if swallowed.

- Parts of the assembly will be easier with 2 people.

- Make sure you have enough space to layout the parts before starting.

- Do not stand or put weight on the product, this could cause damage.

- Assemble the item as close to its final position (in the same room) as possible.

- Assemble on a soft level surface to avoid damaging the unit or your floor (use opened out unit carton).



- We do not recommend the use of power drill/drivers **for inserting screws**, as this could damage the unit. Only use hand screwdrivers.

- **Safety note:** If there is any chance of this unit being pulled over by children etc. it is recommended that the unit is secured to a wall using suitable fixings (not supplied).

- Dispose of all packaging carefully and responsibly.

Care and maintenance

- Only clean using a damp cloth and mild detergent, do not use bleach or abrasive cleaners.

- From time to time check that there are no loose screws on this unit.

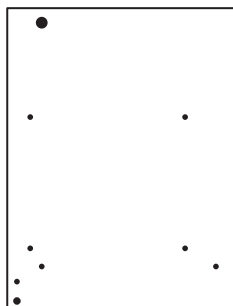
- This product should not be discarded with household waste. Take to your local authority waste disposal centre.

Note: If required the next page can be cut out and used as reference throughout the assembly. Keep this page with these instructions for future reference.

Components - Panels

If you have damaged or missing components, call the **Customer Helpline: 08456 400800** quoting the reference numbers below

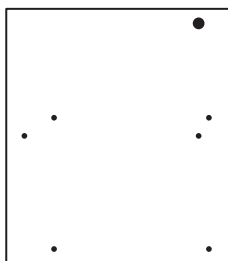
Please check you have all the panels listed below



1 Left Side (D2273A)
(495 x 375mm)



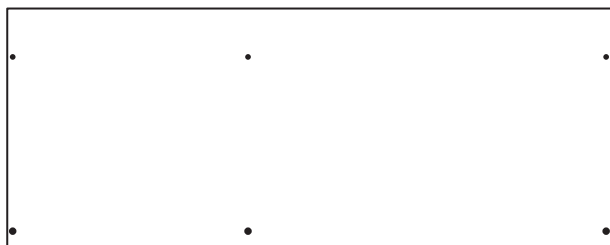
2 Right Side (D2274A)
(495 x 375mm)



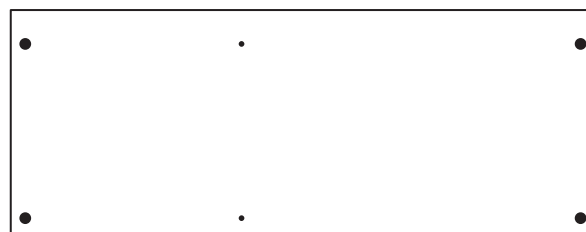
3 Divider (D2276A)
(419.5 x 373mm)



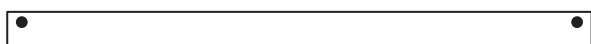
4 Shelf (D2279A)
(577 x 369mm)



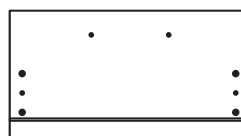
5 Top (D2272A)
(999 x 398mm)



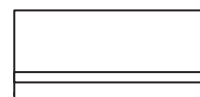
6 Base (D2275A)
(966 x 374mm)



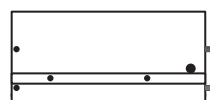
7 Plinth (D2277A)
(966 x 60mm)



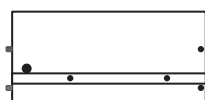
8 Drawer Front (D2278A)
(394 x 214mm) x 2



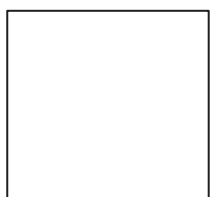
9 Drawer Back (W526)
(322 x 150mm) x 2



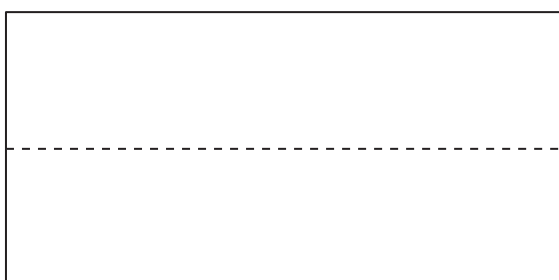
10 Left Drawer Side (W415LH)
(320 x 150mm) x 2



11 Right Drawer Side (W415RH)
(320 x 150mm) x 2



12 Drawer Base (T526)
(333 x 317mm) x 2



13 Back (X929-452)
(929 x 452mm)

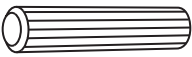
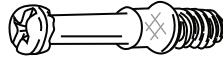
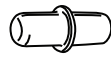
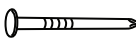






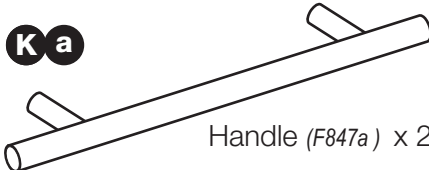



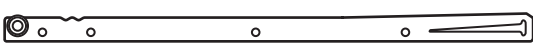
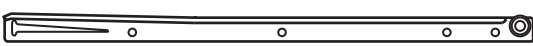


Components - Fittings

If you have damaged or missing components, call the **Customer Helpline: 08456 400800** quoting the reference numbers below

Please check you have all the fittings listed below

Note: The quantities below are the correct amount to complete the assembly. In some cases more fittings may be supplied than are required.

<p>A </p> <p>Wooden dowel (F22) x 5</p>	<p>B </p> <p>Metal dowel (F901) x 13</p>	<p>C </p> <p>Shelf stud (F110) x 4</p>
<p>D </p> <p>Nail (F51) x 21</p>	<p>E </p> <p>Large locking nut (F900) x 9</p>	<p>F </p> <p>Small locking nut (F3) x 4</p>
<p>G </p> <p>13mm Screw (F52) x 8</p>	<p>H </p> <p>13mm Screw (F63) x 8</p>	<p>I </p> <p>Knock-in Peg (F171) x 8</p>
<p>J </p> <p>40mm Screw (F910) x 2</p>	<p>K a  Handle (F847a) x 2</p> <p>K b  Handle Screw (F847b) x 4</p>	
<p>L a  L Runner (F159) x 2</p> <p>L b  R Runner (F160) x 2</p> <p>L c  L Runner (F161) x 2</p> <p>L d  R Runner (F162) x 2</p>		

Tools required



Rule



Cross-head screwdriver



Scissors

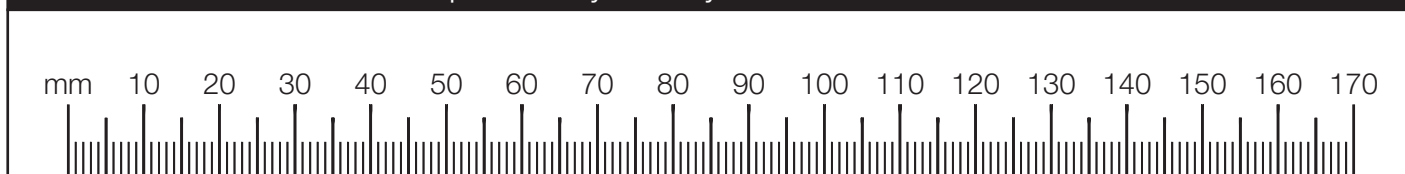


Hammer



Eye protection (when using a hammer or drill)

Ruler - Use this ruler to help correctly identify the screws



Assembly Instructions

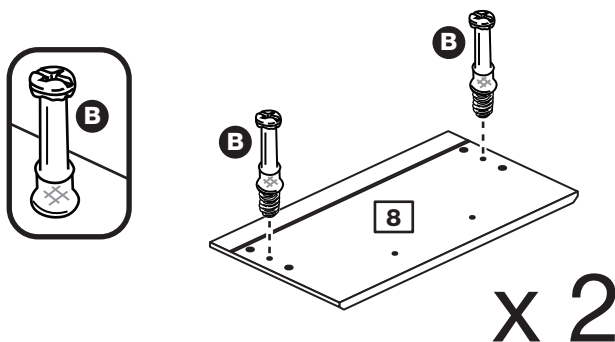
If you have damaged or missing components, call the
Customer Helpline: 08456 400800 quoting the reference
numbers below

Step 1

Prepare the drawer fronts

Screw 2 metal dowels **B** into the holes shown on the back of the drawer front **8**.

Note: Tighten metal dowels up fully against the panels.

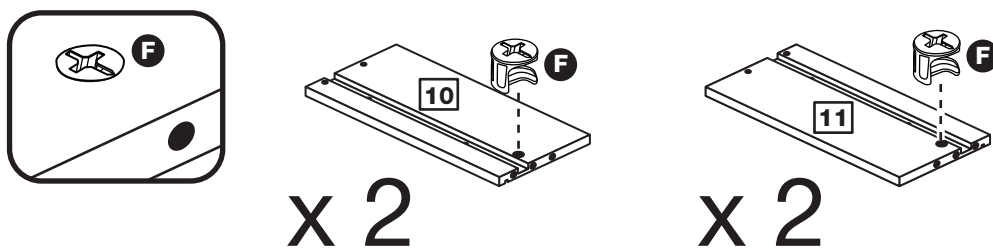


Step 2

Prepare the drawer sides

Insert a small locking nut **F** into the hole shown on the left drawer side **10** and right drawer side **11**.

Note: Arrow on locking nut **must** point towards hole in edge of panel.



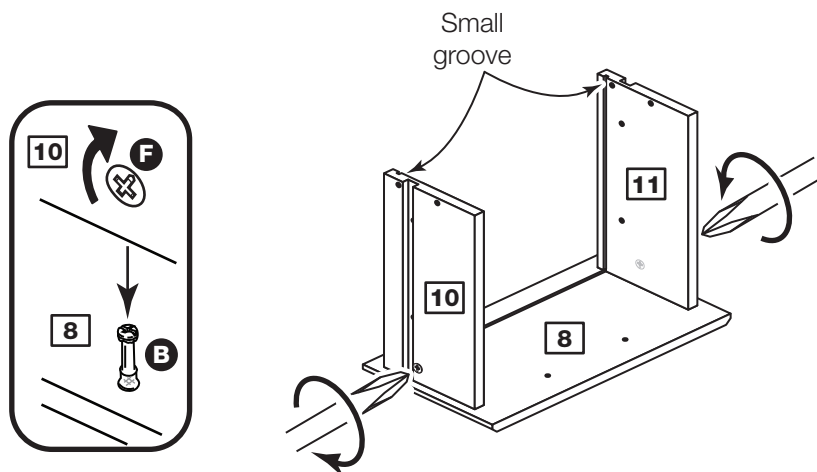
Step 3

Attach the drawer sides to the drawer front

Push the left drawer side **10** and right drawer side **11** onto the back of the drawer front **8**.

Turn the small locking nuts **F** on the left drawer side **10** and right drawer side **11**.

Note: Turn the locking nuts **D** clockwise to secure panels - more than 1/2 a turn.

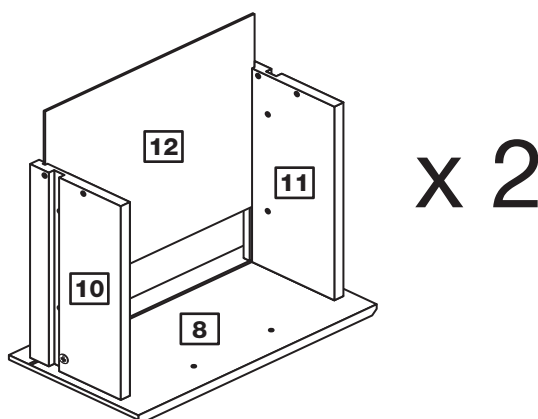


Assembly Instructions

Step 4

Fit the drawer base

Slide the drawer base **12** down the grooves in the drawer sides **10** and **11** and down into the groove in the drawer front **8**.



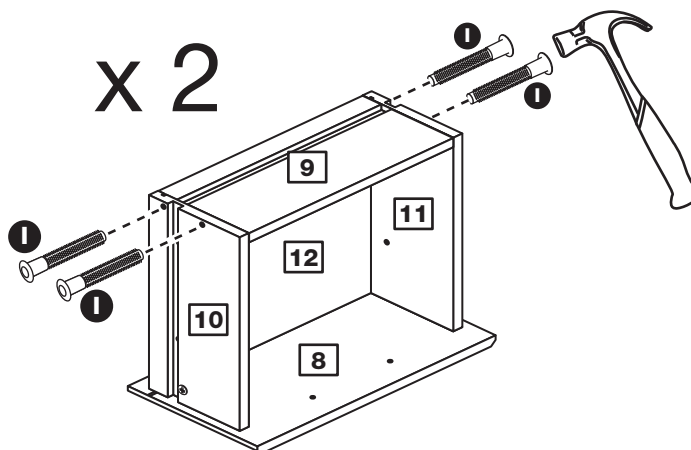
Step 5

Fit the drawer back

Fit the drawer back **9** between the drawer sides **10** and **11**.

Make sure that the drawer base **12** fits into the groove in the drawer back **9**.

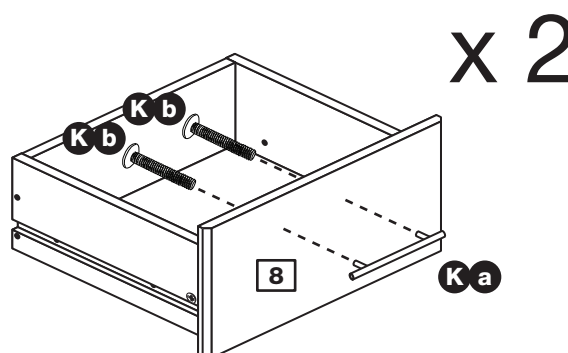
Hold the drawer back **9** in position and tap the knock-in pegs **1** through the holes in the drawer sides **10** and **11**.



Step 6

Attach the handles

Attach a handle **K a** to each drawer front **8** using 2 screws **K b**.



Assembly Instructions

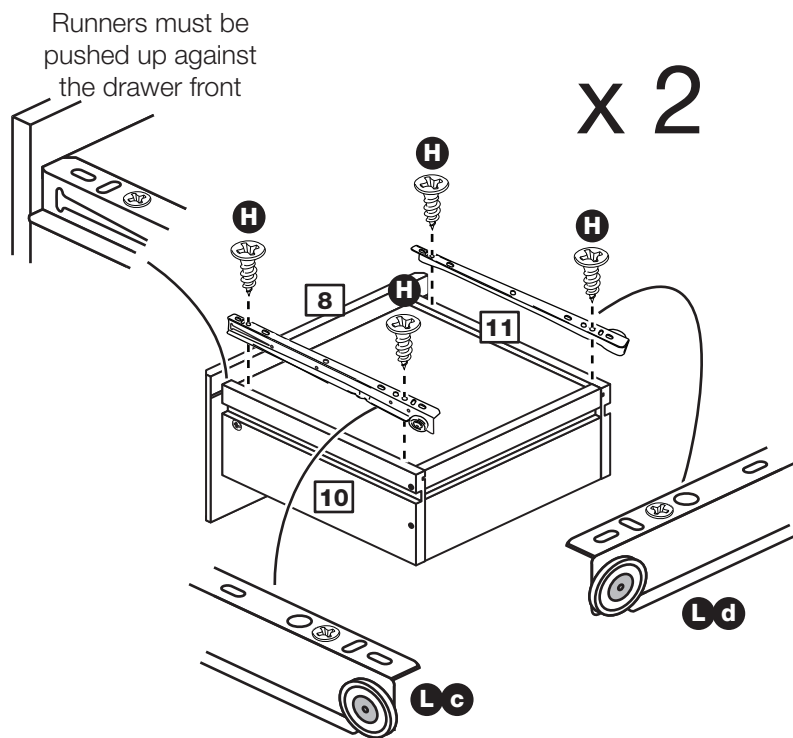
Step 7

Fit runners to the drawers

Turn the drawer assemblies over.

Fit the runner **Lc** to the bottom edge of the left drawer side **10**, as shown, making sure that it is pushed up against the back of the drawer front **8**. Use a bradawl to mark the fixing positions, then secure with 2 screws **H**.

Fit the runner **Ld** to the bottom edge of the right drawer side **11** using the same method.



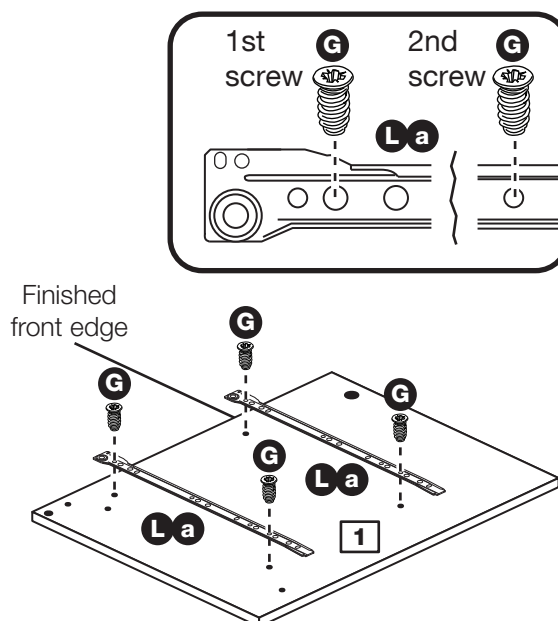
Step 8

Prepare the left side

Fit 2 runners **La** to the left side **1**.

The 1st screw **G** uses the 2nd hole in from the front of the runner **La**.

The 2nd screw **G** uses the hole that lines up with the other panel hole.



Assembly Instructions

Step 9

Finish preparing the left side

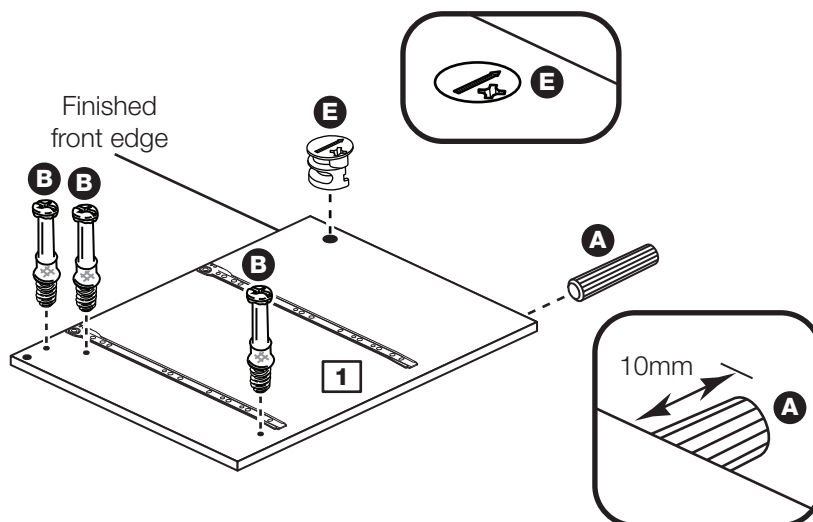
Tap a wooden dowel **A** into the left side **1**.

Note: Wooden dowels **must not** stick out from the edge by more than 10mm or they may damage other panels.

Screw 3 metal dowels **B** into the left side **1**.

Insert a large locking nut **E** into the left side **1**.

Note: The arrow on the locking nut **must** point towards the hole in the edge of the panel.



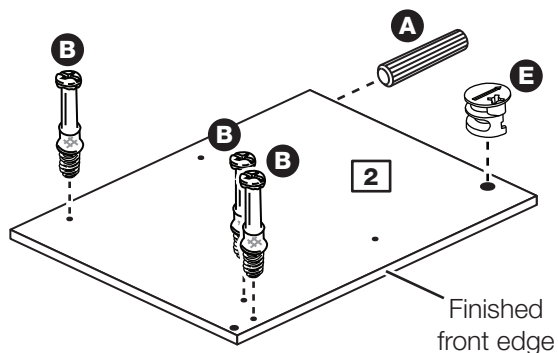
Step 10

Prepare the right side

Tap a wooden dowel **A** into the right side **2**.

Screw 3 metal dowels **B** into the right side **2**.

Insert a large locking nut **E** into the right side **2**.

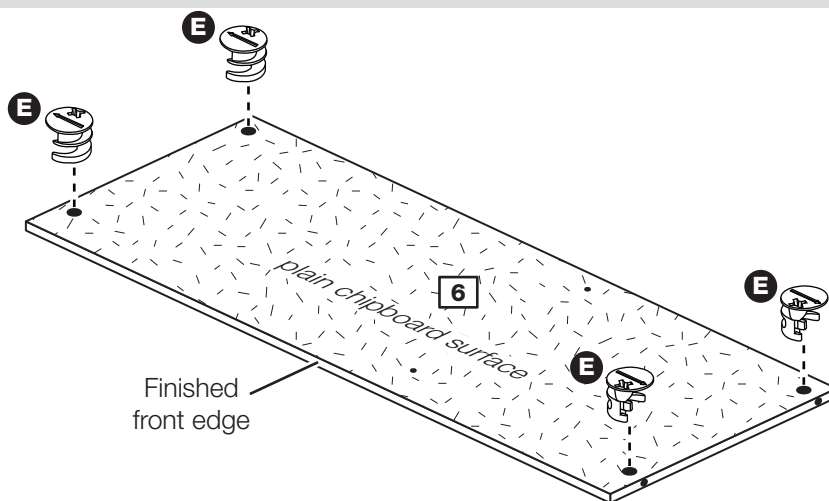


Assembly Instructions

Step 11

Prepare the base

Insert 4 large locking nuts **E** into the base **6**.



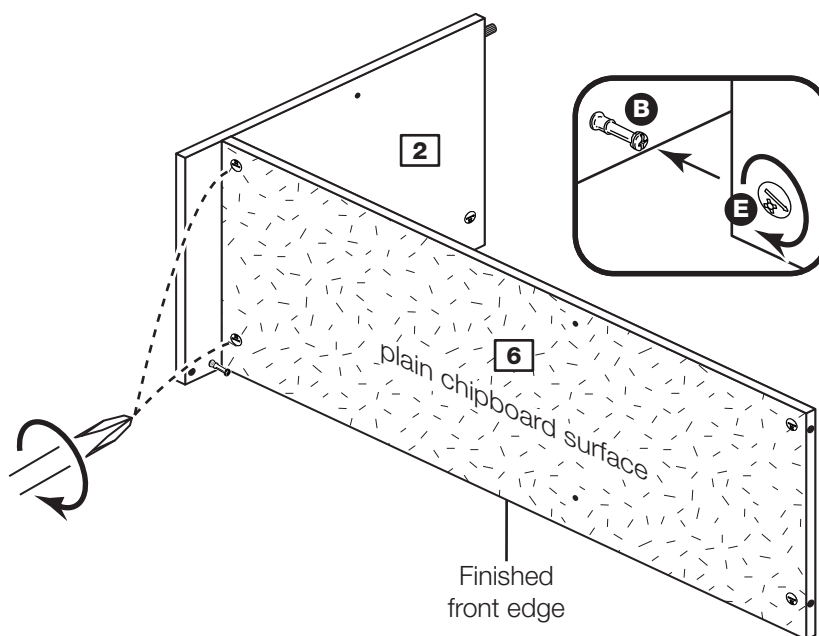
Step 12

Join the right side and base

Push the base **6** onto the right side **2**.

Use a screwdriver to tighten the 2 large locking nuts **E** fitted to the base **6**.

Note: Turn the large locking nuts **E** as far as they will go - more than 1/2 a turn.



Step 13

Prepare the divider

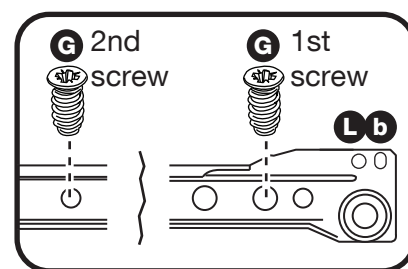
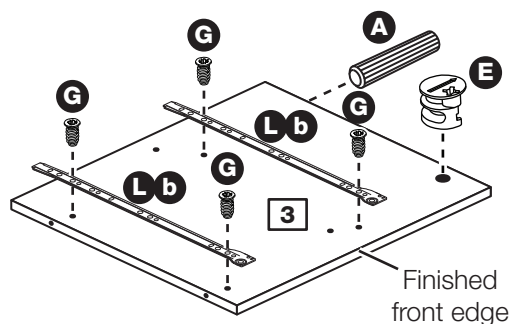
Fit 2 runners **Lb** to the divider **3**.

The 1st screw **G** uses the 2nd hole from the front of the runner.

The 2nd screw **G** uses the hole that lines up with the other panel hole.

Tap a wooden dowel **A** into the divider **3**.

Insert a large locking nut **E** into the divider **3**.

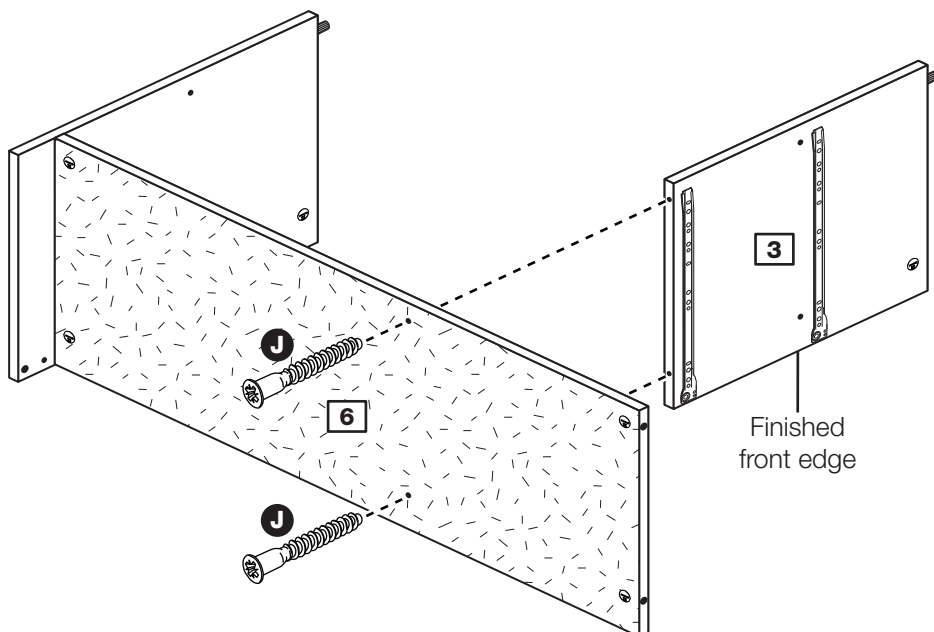


Assembly Instructions

Step 14

Fit the divider

Attach the divider **3** to the base **6** using 2 screws **J**.

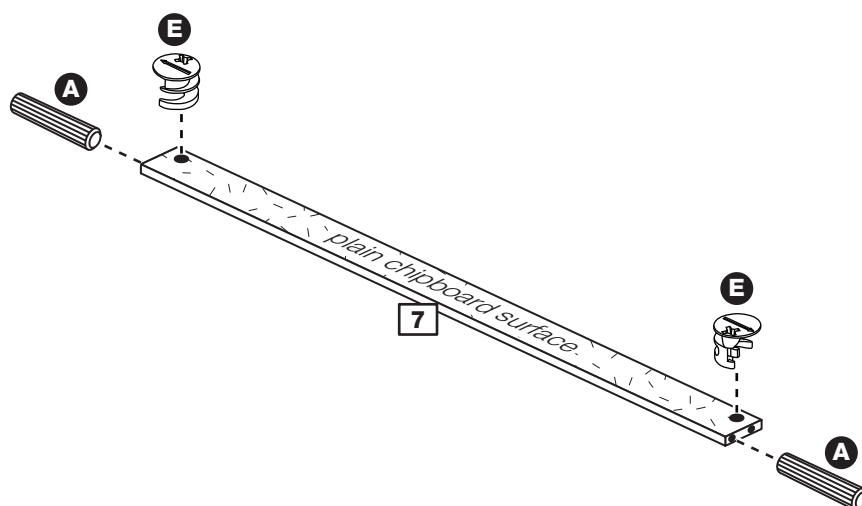


Step 15

Prepare the plinth

Tap 2 wooden dowels **A** into the plinth **7**.

Insert 2 large locking nuts **E** into the plinth **7**.

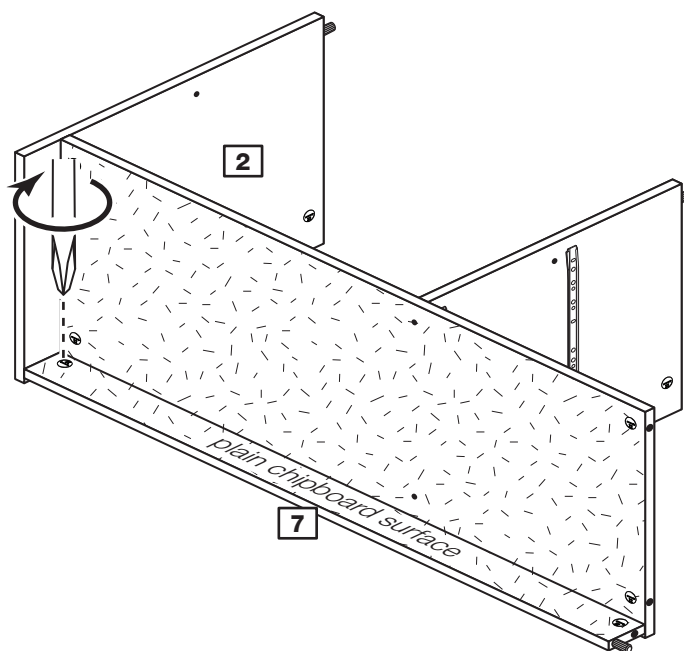


Step 16

Fit the plinth

Push the plinth **7** onto the right side **2**.

Use a screwdriver to tighten the large locking nut **E** fitted to the plinth **7**.



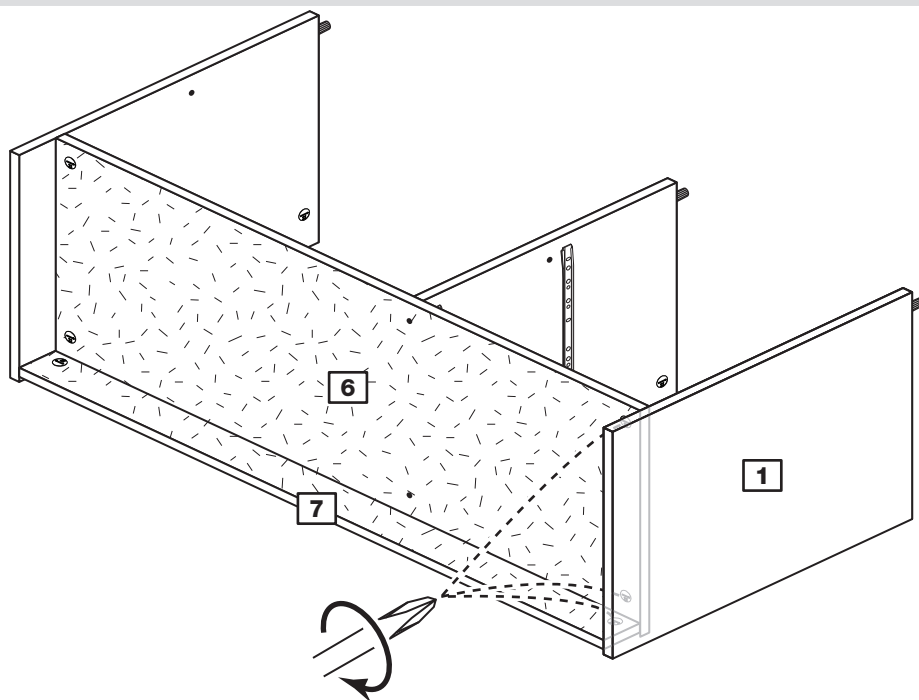
Assembly Instructions

Step 17

Fit the left side

Push the left side **1** onto the assembly.

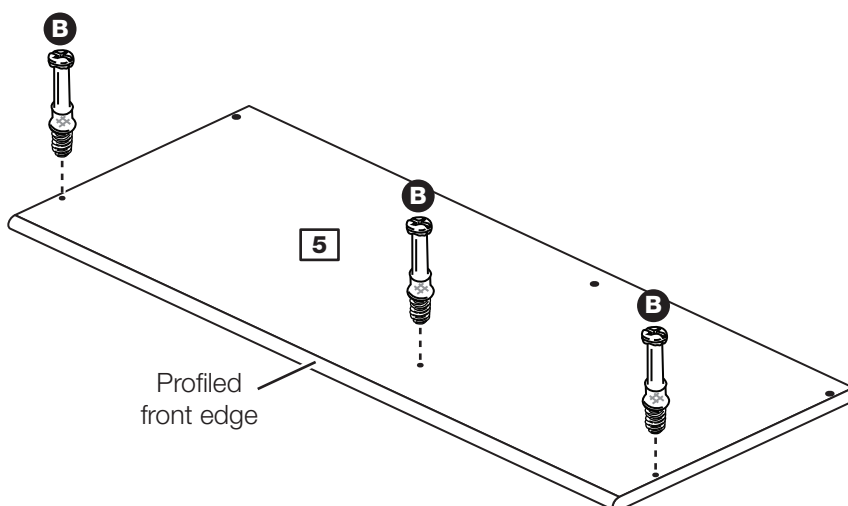
Use a screwdriver to tighten the 3 large locking nuts **E** fitted to the base **6** and the plinth **7**.



Step 18

Prepare the top

Screw 3 metal dowels **B** into the top **5**.

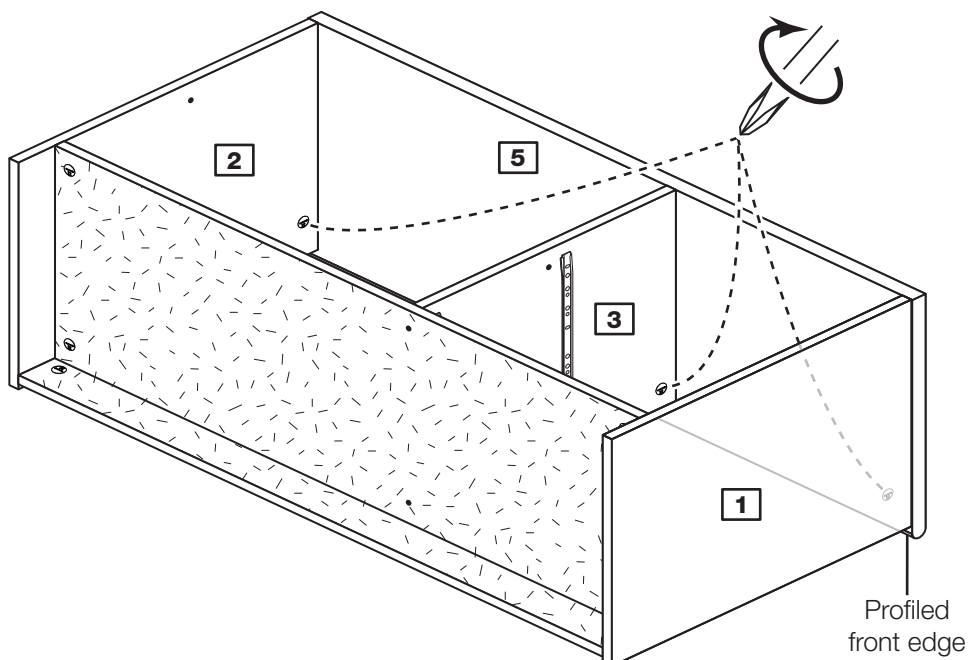


Step 19

Fit the top

Push the top **5** onto the assembly.

Use a screwdriver to tighten the 3 large locking nuts **E** fitted to the left side **1**, right side **2** and divider **3**.



Assembly Instructions

Step 20

Fit the back

a: Square up the unit by making sure that measurement **x to x** equals **y to y**.

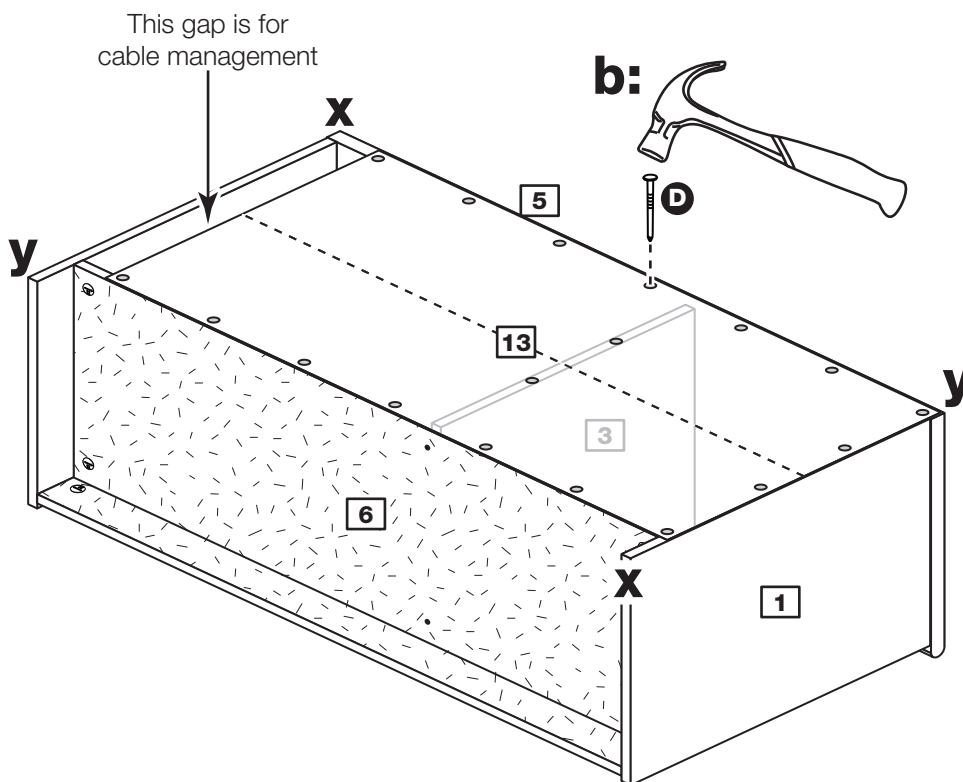
b: Place the back **13** onto the unit making sure that it is positioned flush with the outside edge of the left side **1**.

Nail **D** the back **13** into the left side **1**, top **5**, base **6** and divider **3** as shown.

Note: Nails should be spaced about 150mm apart.

Stand the unit up for the next step.

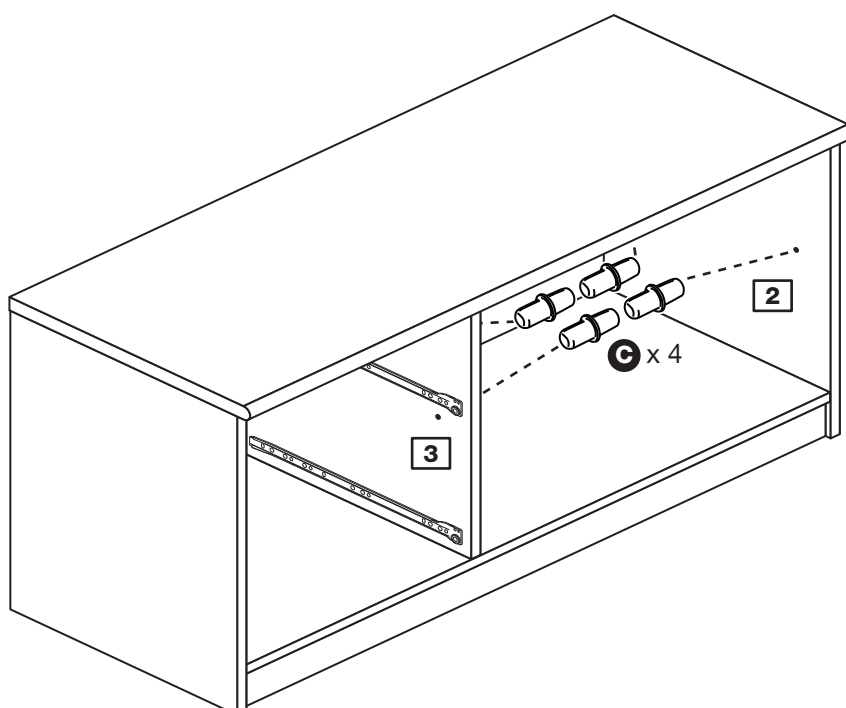
a: The measurement from top corner X to bottom corner X must be equal to the measurement from top corner Y to bottom corner Y



Step 21

Fit the shelf studs

Insert 4 shelf studs **C** into the holes on the right side **2** and divider **3**.

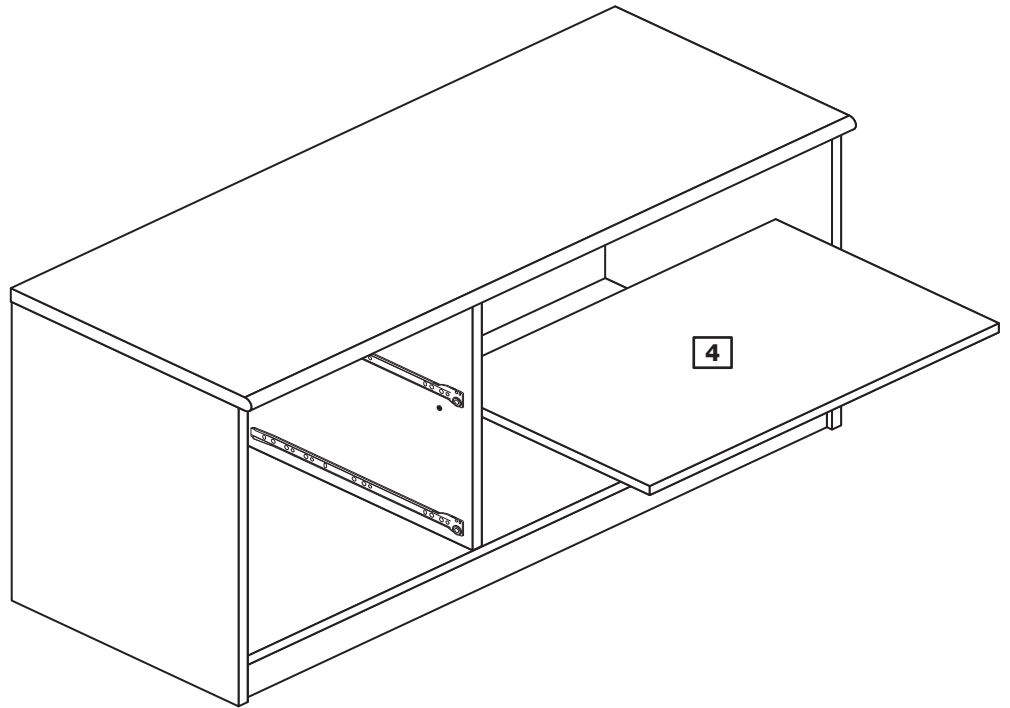


Assembly Instructions

Step 22

Fit the shelf

Lower the shelf **4** down onto the shelf studs **C**.



Step 23

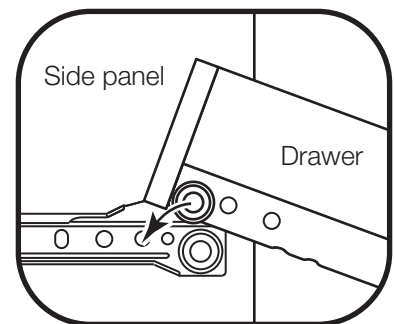
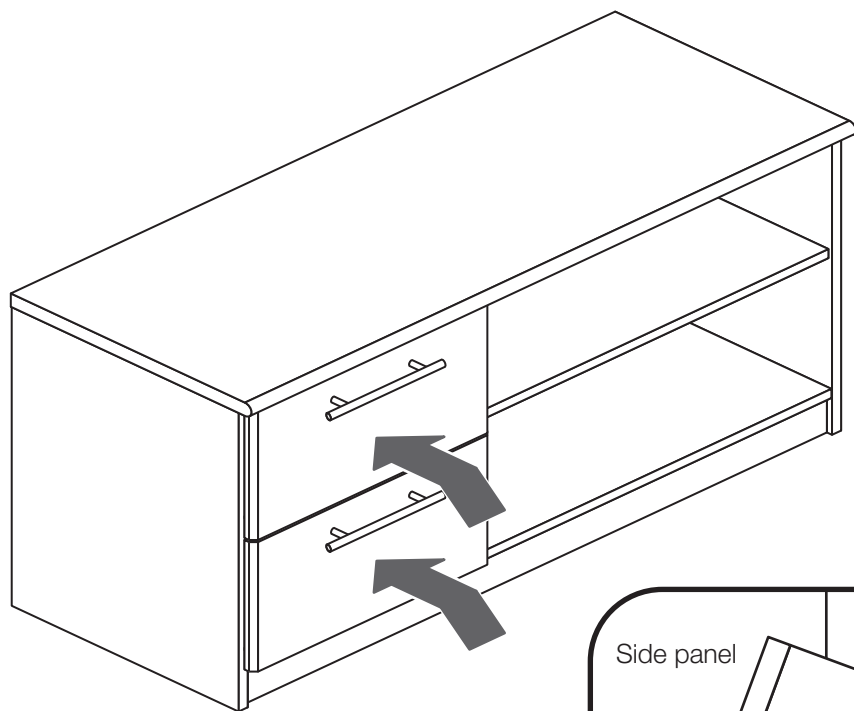
Fit the drawers

Slide the wheels of the runners fitted to the drawer, over the wheels of the runners fitted to the unit and push the drawer into position.

Assembly is complete



Warning: The unit is heavy. Lift with care.



If you need help or have damaged or missing parts, call the **Customer Helpline: 08456 400800** and quote the reference numbers on the component pages.

Argos Ltd, 489-499 Avebury Boulevard, Central Milton Keynes, MK9 2NW

