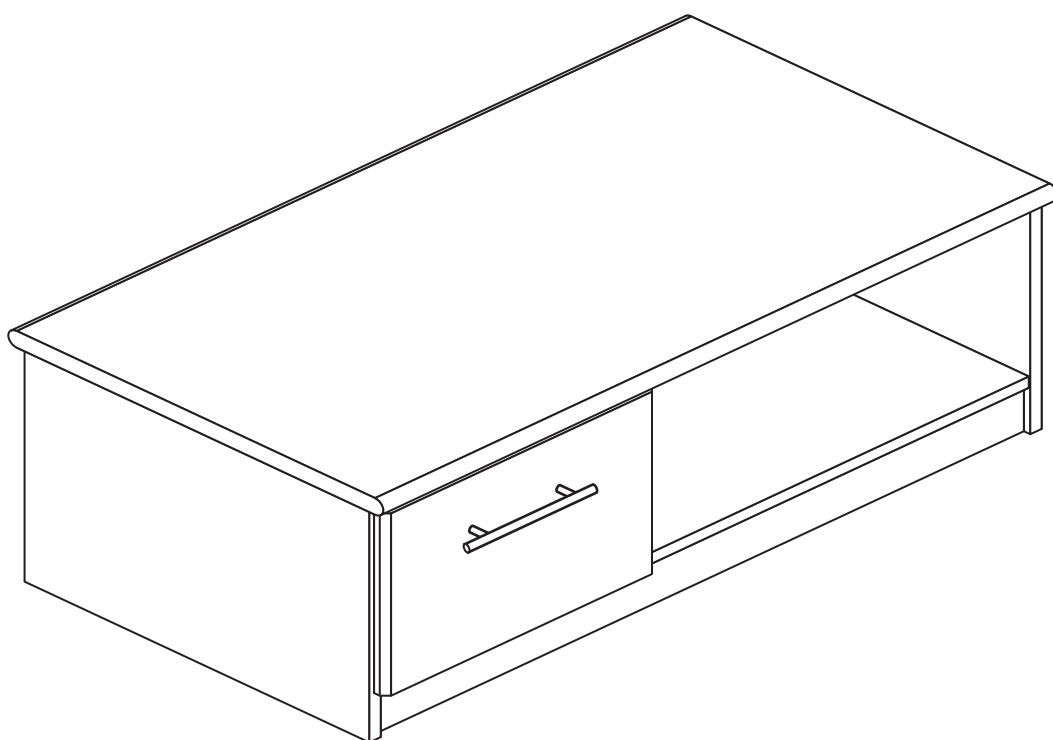


# Anderson - Coffee Table

Assembly Instructions - Please keep for future reference

609/5507

609/5442



## Dimensions

Width - 89.5cm

Depth - 50cm

Height - 33cm



**MADE IN  
BRITAIN**

**Important** - Please read these instructions fully before starting assembly

If you need help or have damaged or missing parts, call the **Customer Helpline: 08456 400800**



# Safety and Care Advice

**Important - Please read these instructions fully before starting assembly**

- **Warning:** This unit weighs approximately 19kgs. Please lift with care.

- Check you have all the components and tools listed on pages 2 and 3.

- Remove all fittings from the plastic bags and separate them into their groups.

- Keep children and animals away from the work area, small parts could choke if swallowed.

- Parts of the assembly will be easier with 2 people.

- Make sure you have enough space to layout the parts before starting.

- Do not stand or put weight on the product, this could cause damage.

- Assemble the item as close to its final position (in the same room) as possible.

- Assemble on a soft level surface to avoid damaging the unit or your floor (use opened out unit carton).



- We do not recommend the use of power drill/drivers **for inserting screws**, as this could damage the unit. Only use hand screwdrivers.

- **Safety note:** If there is any chance of this unit being pulled over by children etc. it is recommended that the unit is secured to a wall using suitable fixings (not supplied).

- Dispose of all packaging carefully and responsibly.

## Care and maintenance

- Only clean using a damp cloth and mild detergent, do not use bleach or abrasive cleaners.

- From time to time check that there are no loose screws on this unit.

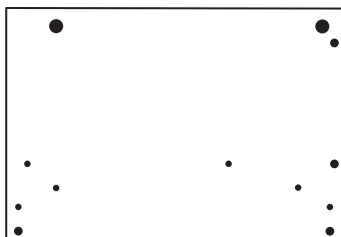
- This product should not be discarded with household waste. Take to your local authority waste disposal centre.

**Note:** If required the next page can be cut out and used as reference throughout the assembly. Keep this page with these instructions for future reference.

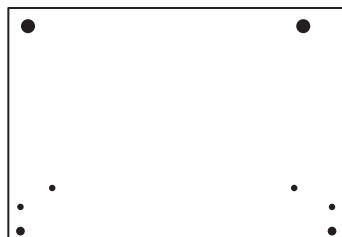
# Components - Panels

If you have damaged or missing components, call the **Customer Helpline: 08456 400800** quoting the reference numbers below

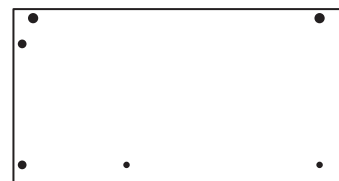
Please check you have all the panels listed below



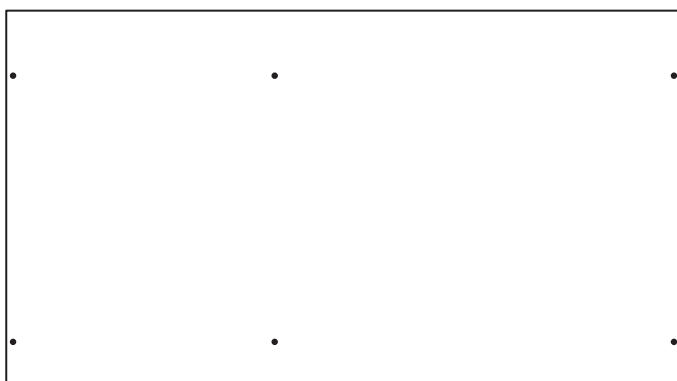
**1** Left Side (D1516A)  
(306 x 444mm)



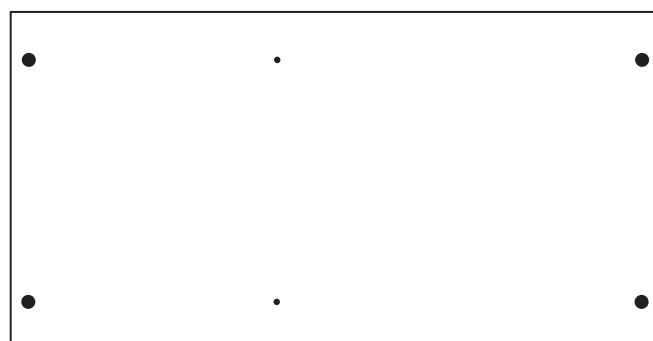
**2** Right Side (D1517A)  
(306 x 444mm)



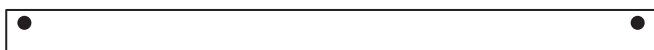
**3** Upright (D1519A)  
(230.5 x 438mm)



**4** Top (D1518A)  
(892 x 496mm)



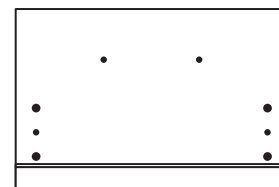
**5** Base (D1521A)  
(858 x 440mm)



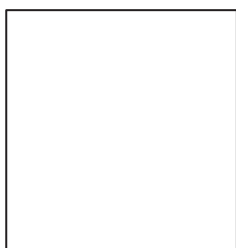
**6** Plinth (D1522A)  
(859 x 60mm) x 2



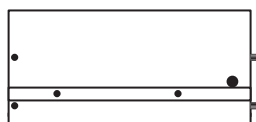
**7** Back (D1523A)  
(345 x 230.5mm)



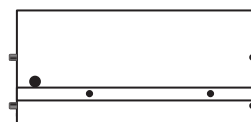
**8** Drawer Front (D1520A)  
(360 x 241mm)



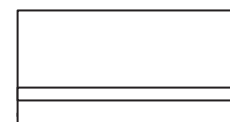
**9** Drawer Base (T525)  
(305 x 317mm)



**10** Left Drawer Side (W415LH)  
(320 x 150mm)



**11** Right Drawer Side (W415RH)  
(320 x 150mm)



**12** Drawer Back (W525)  
(294 x 150mm)

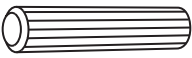
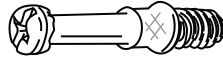






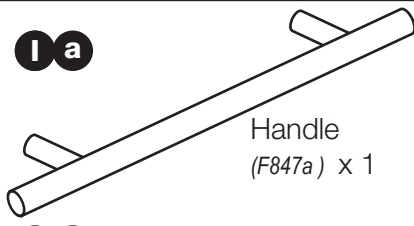



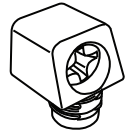
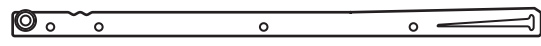



# Components - Fittings

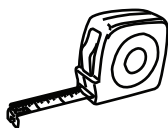
If you have damaged or missing components, call the **Customer Helpline: 08456 400800** quoting the reference numbers below

Please check you have all the fittings listed below

**Note:** The quantities below are the correct amount to complete the assembly. In some cases more fittings may be supplied than are required.

<p><b>A</b> </p> <p>Wooden dowel (F22) x 8</p>	<p><b>B</b> </p> <p>Metal dowel (F901) x 14</p>	<p><b>C</b> </p> <p>Large locking nut (F900) x 12</p>
<p><b>D</b> </p> <p>Small locking nut (F3) x 2</p>	<p><b>E</b> </p> <p>Knock-in Peg (F171) x 4</p>	<p><b>F</b> </p> <p>40mm Screw (F910) x 2</p>
<p><b>G</b> </p> <p>13mm Screw (F52) x 4</p>	<p><b>H</b> </p> <p>13mm Screw (F63) x 4</p>	<p><b>I a</b> </p> <p>Handle (F847a) x 1</p>
<p><b>J a</b> </p> <p>L Runner (F159) x 1</p>	<p><b>I b</b> </p> <p>Handle Screw (F847b) x 2</p>	
<p><b>J b</b> </p> <p>R Runner (F160) x 1</p>	<p><b>K</b> </p> <p>Mini block (F25) x 2</p>	
<p><b>J c</b> </p> <p>L Runner (F161) x 1</p>		
<p><b>J d</b> </p> <p>R Runner (F162) x 1</p>		

## Tools required



Rule



Cross-head screwdriver



Scissors

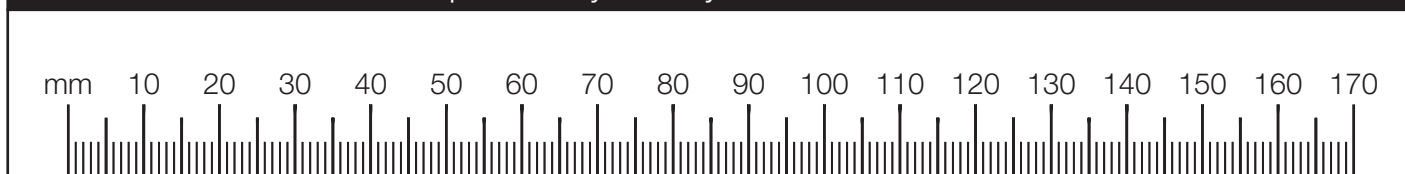


Hammer



Eye protection (when using a hammer or drill)

Ruler - Use this ruler to help correctly identify the screws



# Assembly Instructions

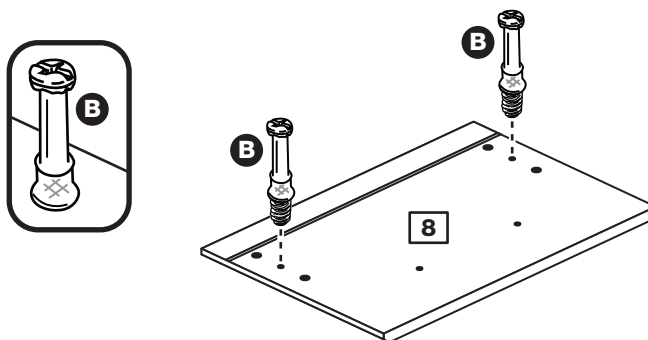
If you have damaged or missing components, call the Customer Helpline: 08456 400800 quoting the reference numbers below

## Step 1

### Prepare the drawer front

Screw 2 metal dowels **B** into the holes shown on the back of the drawer front **8**.

**Note:** Tighten metal dowels up fully against the panels.

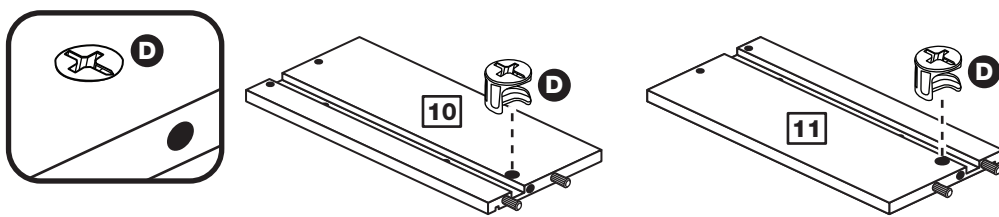


## Step 2

### Prepare the drawer sides

Insert a small locking nut **D** into the hole shown on the left drawer side **10** and right drawer side **11**.

**Note:** Arrow on locking nut **must** point towards hole in edge of panel.



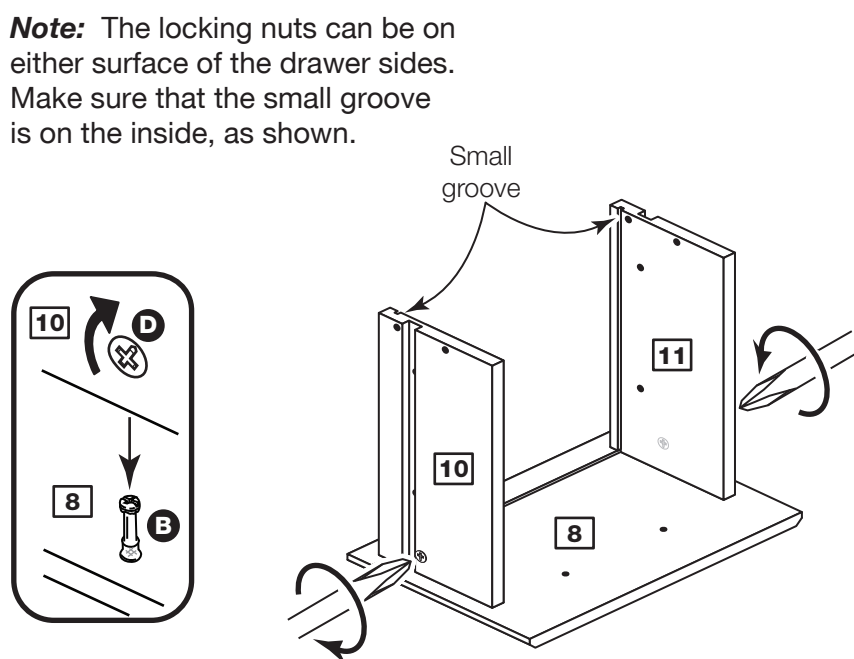
## Step 3

### Attach the drawer sides to the drawer front

Push the left drawer side **10** and right drawer side **11** onto the back of the drawer front **8**.

Turn the small locking nuts **D** on the left drawer side **10** and right drawer side **11**.

**Note:** Turn the locking nuts **D** clockwise to secure panels - more than 1/2 a turn.

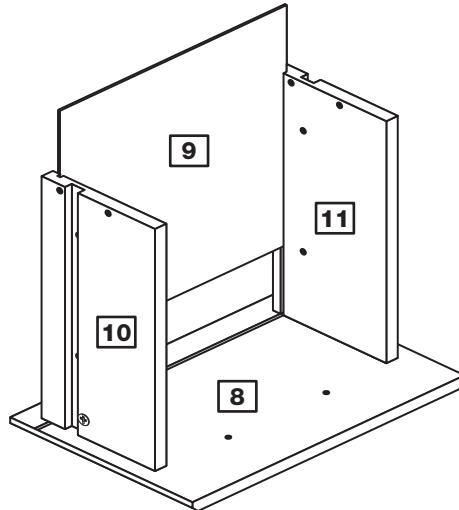


# Assembly Instructions

## Step 4

### Fit the drawer base

Slide the drawer base **9** down the grooves in the drawer sides **10** and **11** and down into the groove in the drawer front **8**.



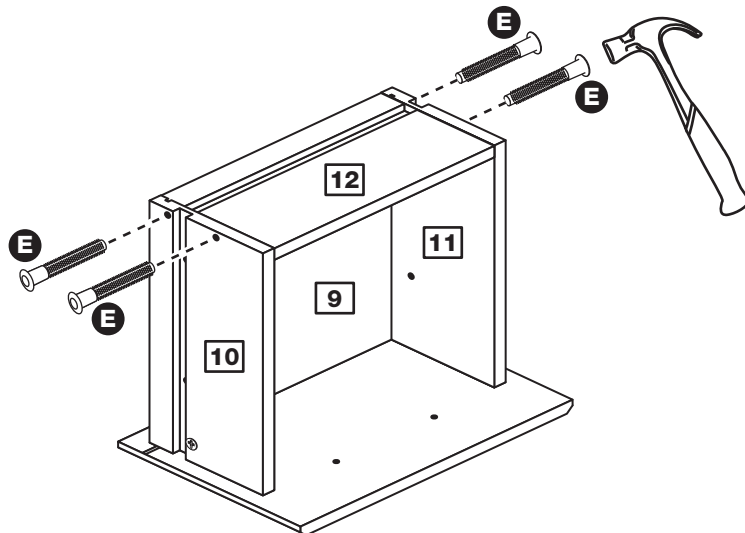
## Step 5

### Fit the drawer back

Fit the drawer back **12** between the drawer sides **10** and **11**.

Make sure that the drawer base **9** fits into the groove in the drawer back **12**.

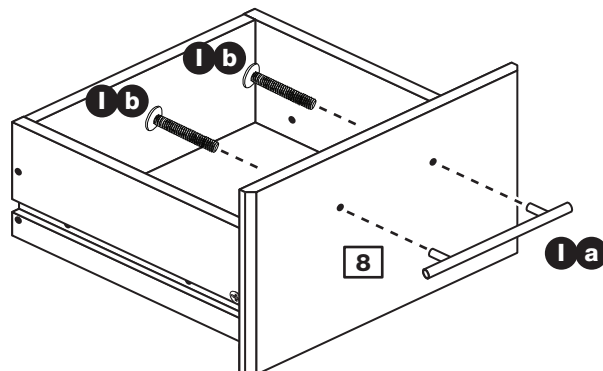
Hold the drawer back **12** in position and tap the knock-in pegs **E** through the holes in the drawer sides **10** and **11**.



## Step 6

### Attach the handle

Attach the handle **1a** to the drawer front **8** using 2 screws **1b**.



# Assembly Instructions

## Step 7

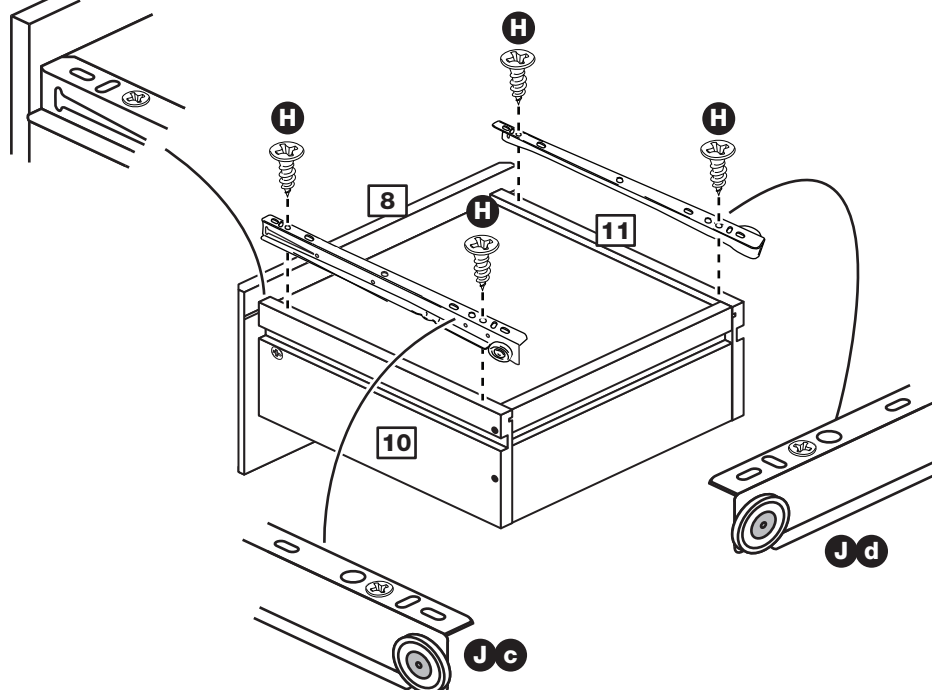
### Fit runners to the drawers

Turn the drawer assembly over.

Fit the runner **Jc** to the bottom edge of the left drawer side **10**, as shown, making sure that it is pushed up against the back of the drawer front **8**. Use a bradawl to mark the fixing positions, then secure with 2 screws **H**.

Fit the runner **Jd** to the bottom edge of the right drawer side **11** using the same method.

Runners must be pushed up against the drawer front



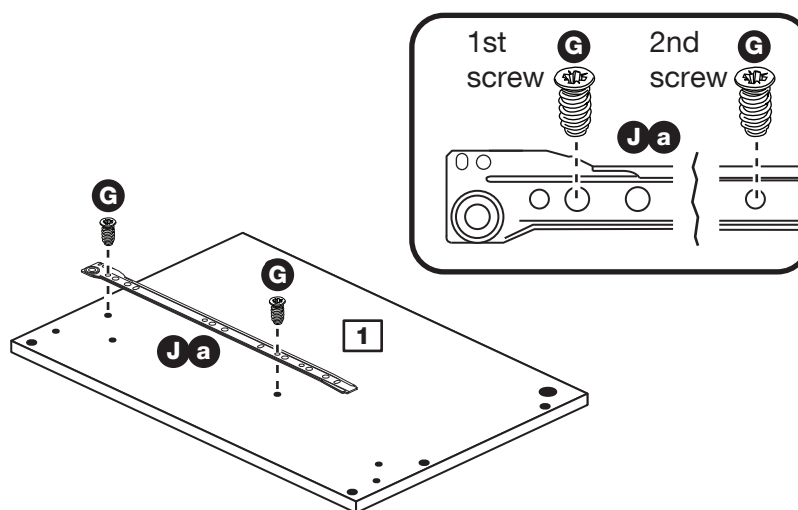
## Step 8

### Prepare the left side

Fit the runner **Ja** to the left side **1**.

The 1st screw **G** uses the 2nd hole from the front of the runner **Ja**.

The 2nd screw **G** uses the hole that lines up with the other panel hole.



# Assembly Instructions

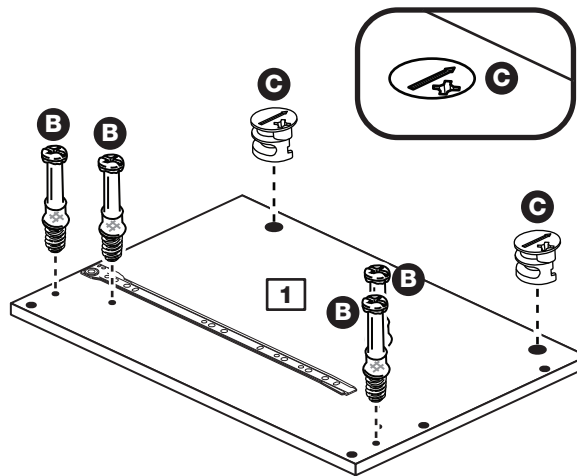
## Step 9

### Finish preparing the left side

Screw 4 metal dowels **B** into the left side **1**.

Insert 2 large locking nuts **C** into the left side **1**.

**Note:** The arrow on the locking nut **must** point towards the hole in the edge of the panel.

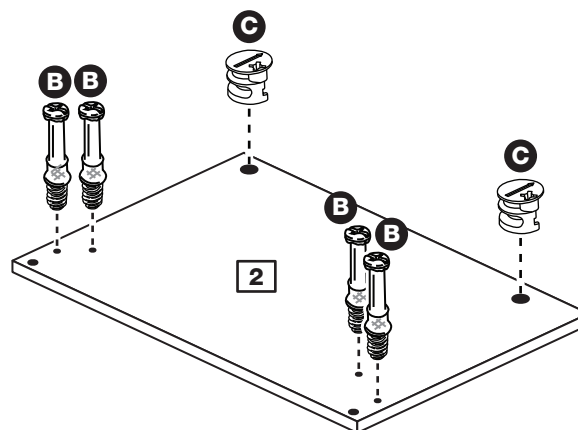


## Step 10

### Prepare the right side

Screw 4 metal dowels **B** into the right side **2**.

Insert 2 large locking nuts **C** into the right side **2**.



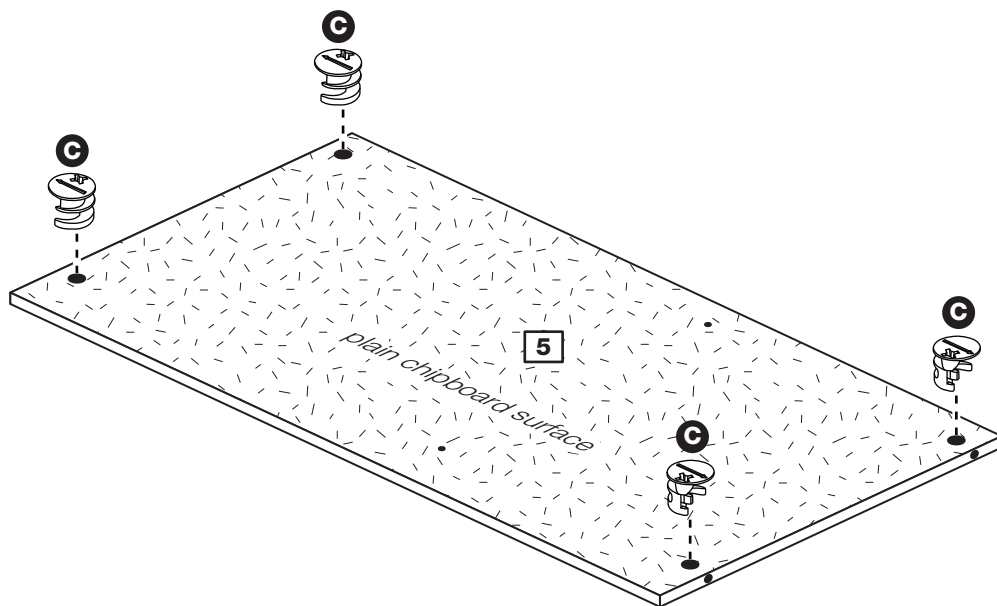


# Assembly Instructions

## Step 11

### Prepare the base

Insert 4 large locking nuts **C** into the base **5**.



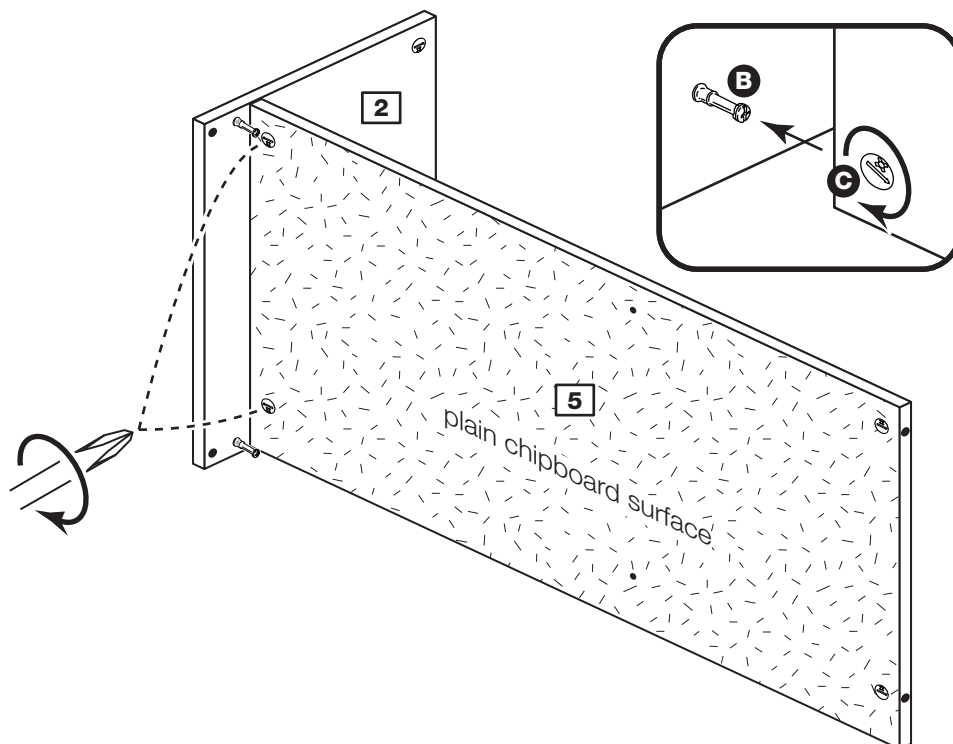
## Step 12

### Join the right side and base

Push the base **5** onto the right side **2**.

Use a screwdriver to tighten the 2 large locking nuts **C** fitted to the base **5**.

**Note:** Turn the large locking nuts **C** as far as they will go - more than 1/2 a turn.



# Assembly Instructions

## Step 13

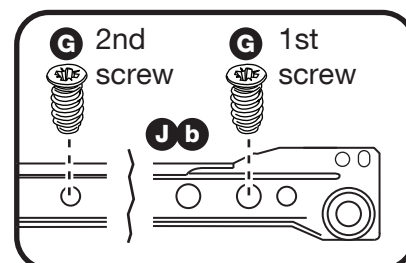
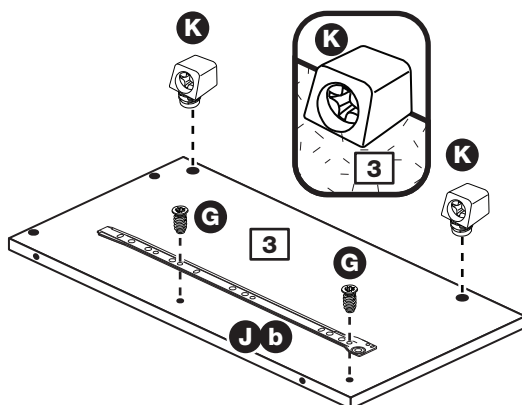
### Prepare the upright

Fit the runner **Jb** to the upright **3**.

The 1st screw **G** uses the 2nd hole in from the front of the runner.

The 2nd screw **G** uses the hole that lines up with the other panel hole.

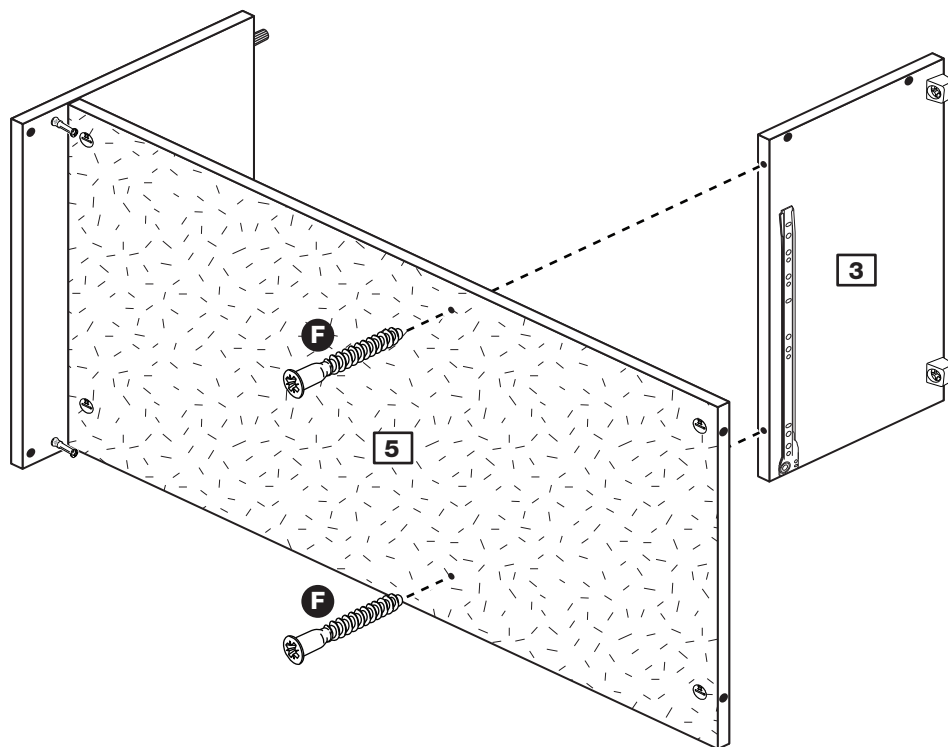
Gently tap the 2 mini blocks **K** into the holes on the upright **3**, orientated as shown.



## Step 14

### Fit the upright

Attach the upright **3** to the base **5** using 2 screws **F**.

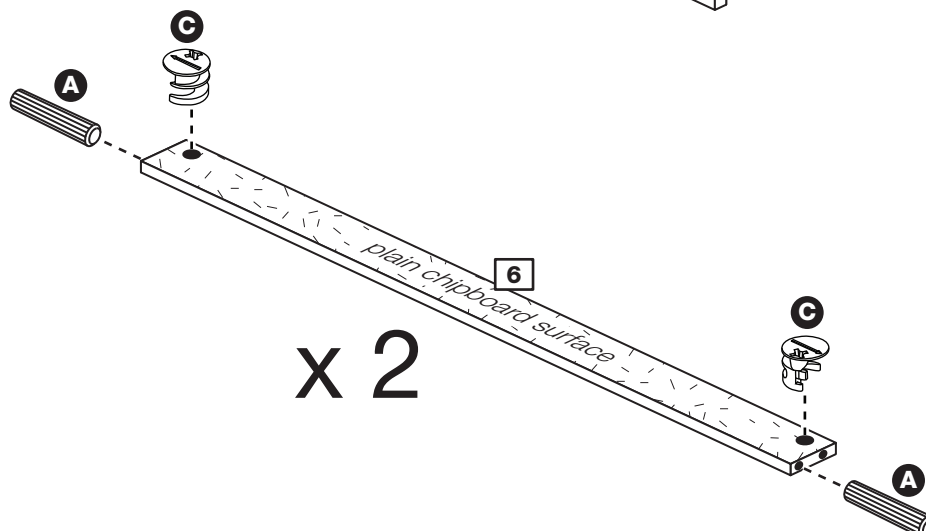


## Step 15

### Prepare the 2 plinths

Tap 2 wooden dowels **A** into each of the 2 plinths **6**.

Insert 2 large locking nuts **C** into each of the 2 plinths **6**.

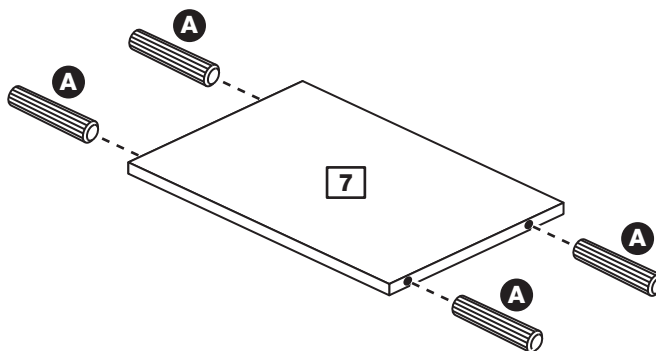


# Assembly Instructions

## Step 16

### Prepare the back

Tap 4 wooden dowels **A** into the back **7**.

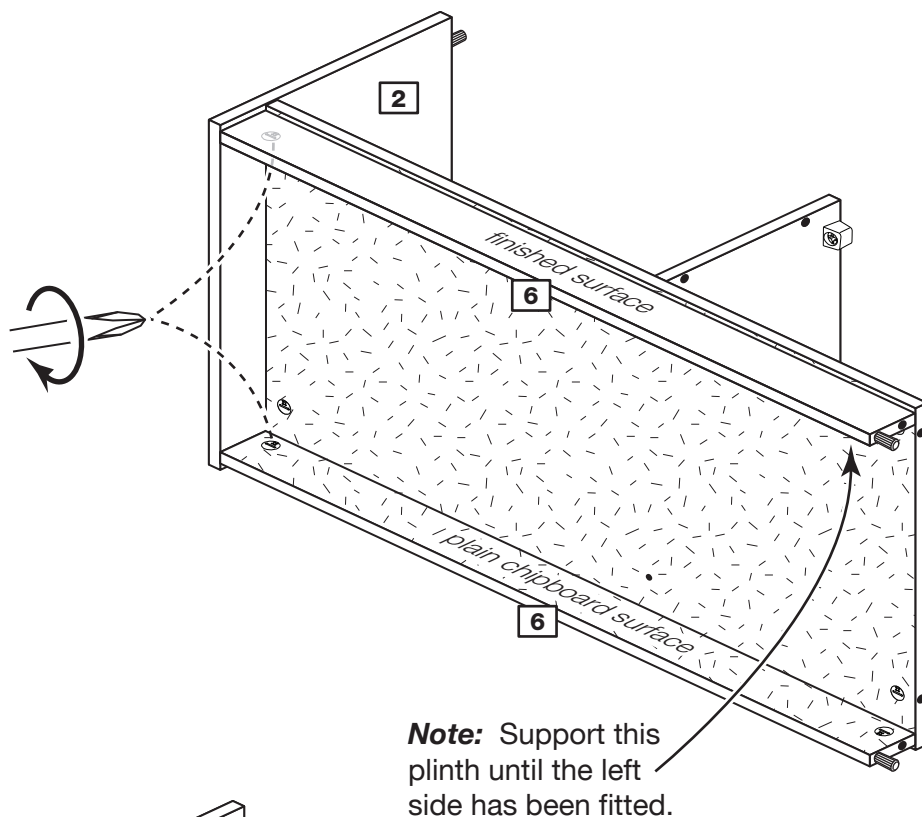


## Step 17

### Fit the plinths

Push the 2 plinths **6** onto the right side **2**.

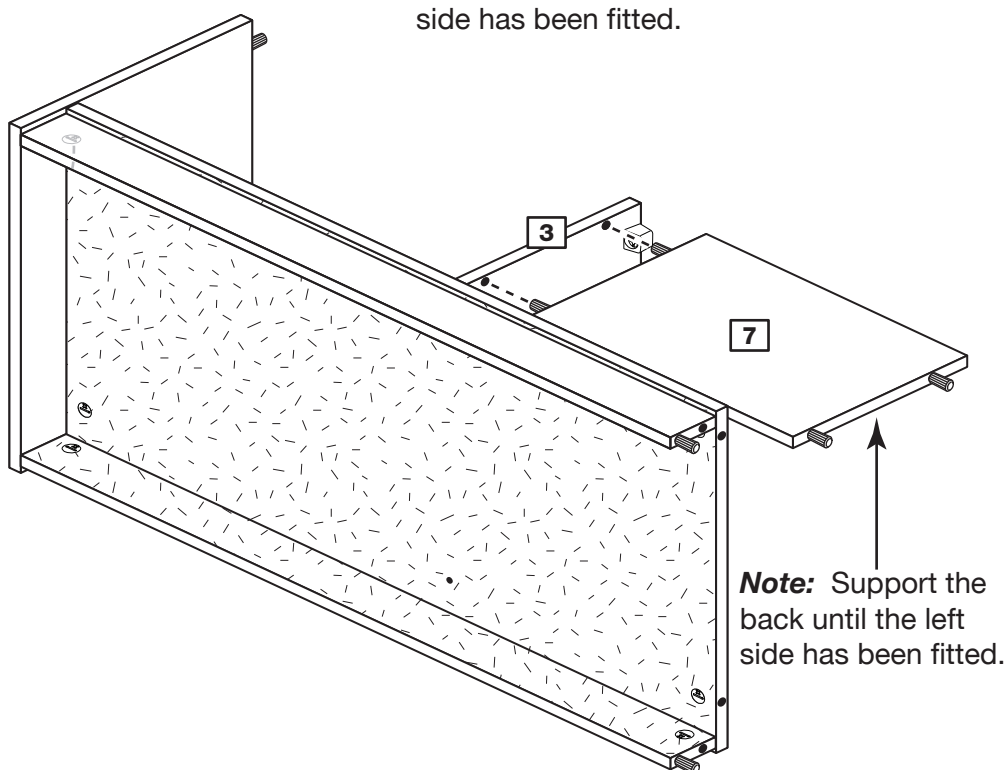
Use a screwdriver to tighten the large locking nut **C** fitted to each of the 2 plinths **6**.



## Step 18

### Fit the back

Push the back **7** onto the upright **3**.



# Assembly Instructions

## Step 19

### Fit the left side

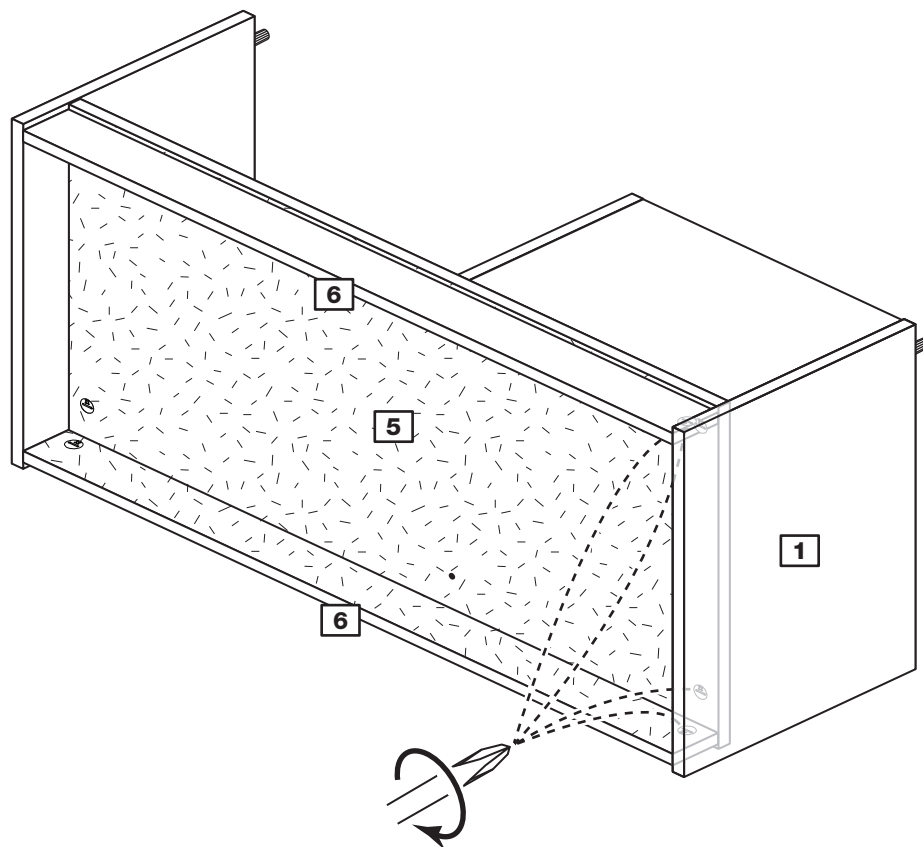
Push the left side **1** onto the assembly.

Use a screwdriver to tighten the 4 large locking nuts **C** fitted to the base **5** and the 2 plinths **6**.

**Carefully stand the unit up.**



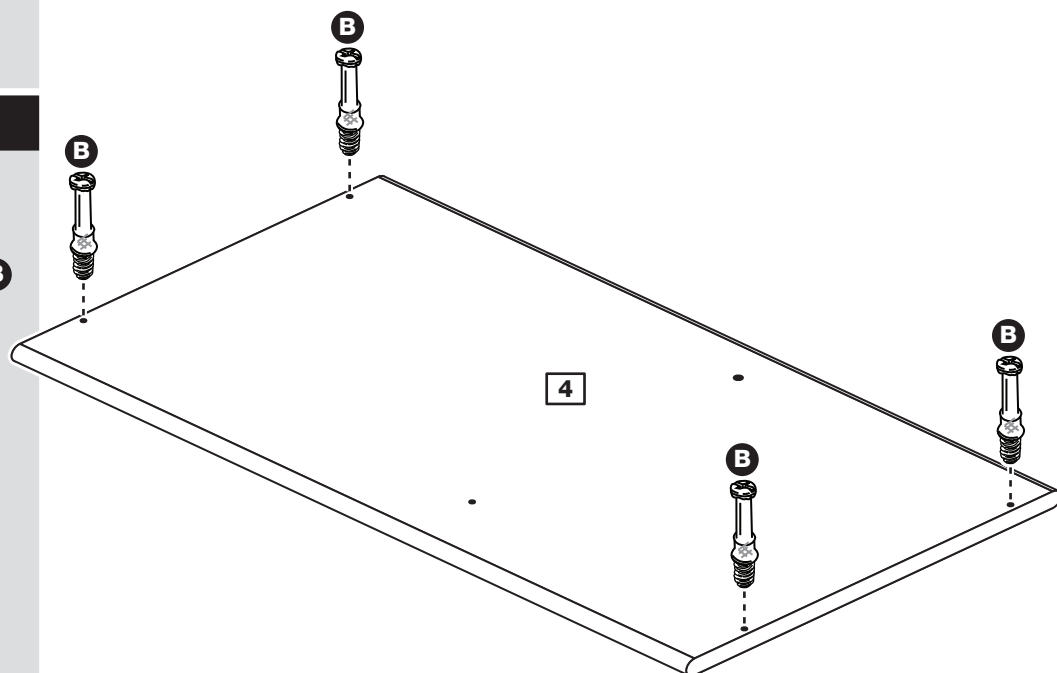
**Warning:** The unit is heavy. Lift with care.



## Step 20

### Prepare the top

Screw 4 metal dowels **B** into the top **4**.



# Assembly Instructions

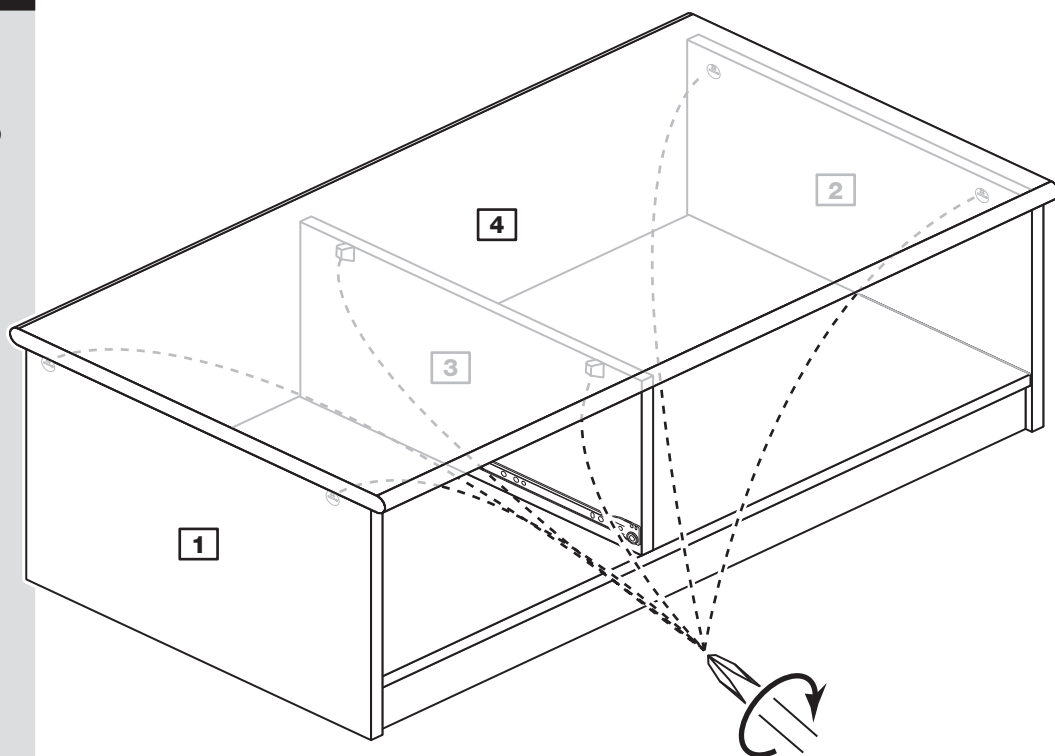
## Step 21

### Fit the top

Position the top **4** onto the assembly so that the screws from the mini blocks **K** fitted to the upright **3** are lined up with the holes in the top **4**.

Tighten the screws in the 2 mini blocks **K** into the holes in the top **4**.

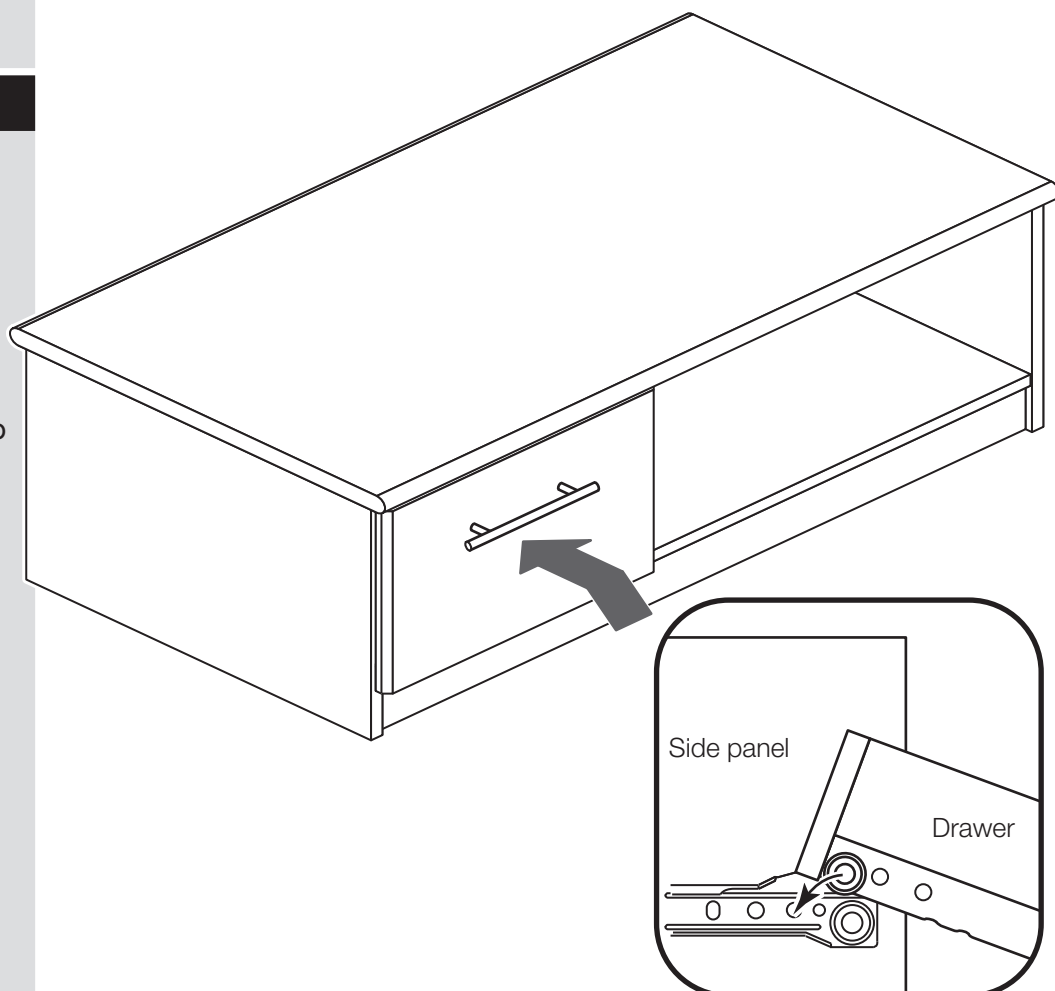
Use a screwdriver to tighten the 4 large locking nuts **C** fitted to the left side **1**, and right side **2**.



## Step 22

### Fit the drawer

Slide the wheels of the runners fitted to the drawer, over the wheels of the runners fitted to the left side and upright and push the drawer into position.



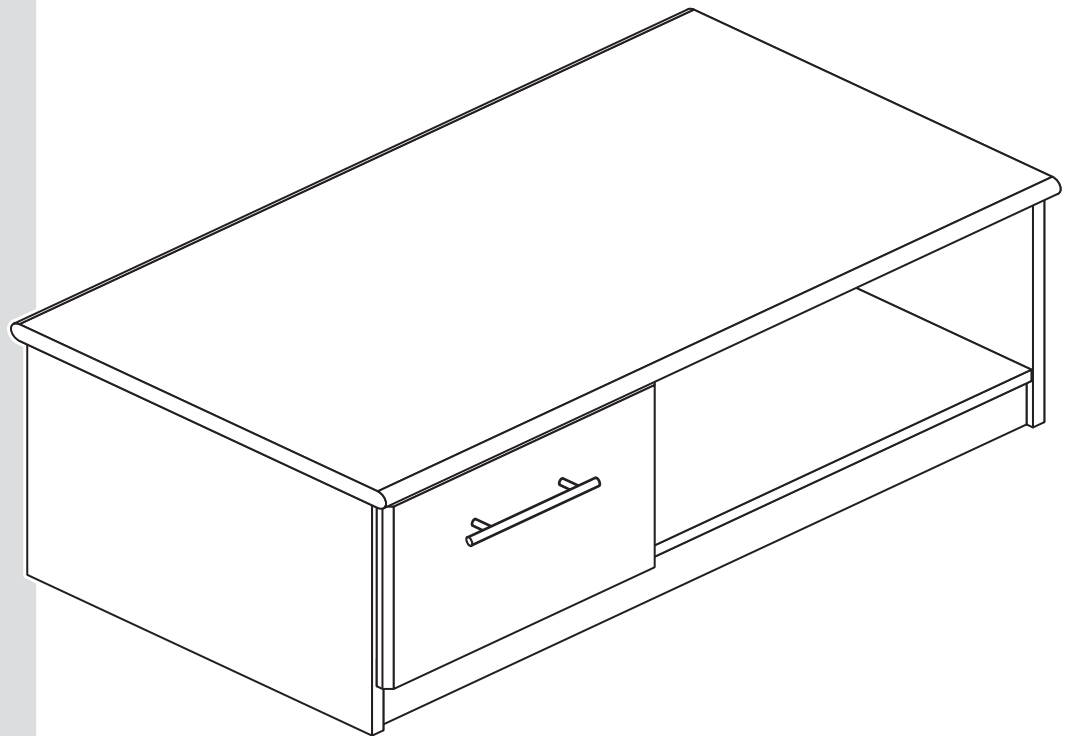
# Assembly Instructions

## Step 23

**Assembly is complete**



**Warning:** The unit is heavy. Lift with care.



If you need help or have damaged or missing parts, call the **Customer Helpline: 08456 400800** and quote the reference numbers on the component pages.

Argos Ltd, 489-499 Avebury Boulevard, Central Milton Keynes, MK9 2NW



