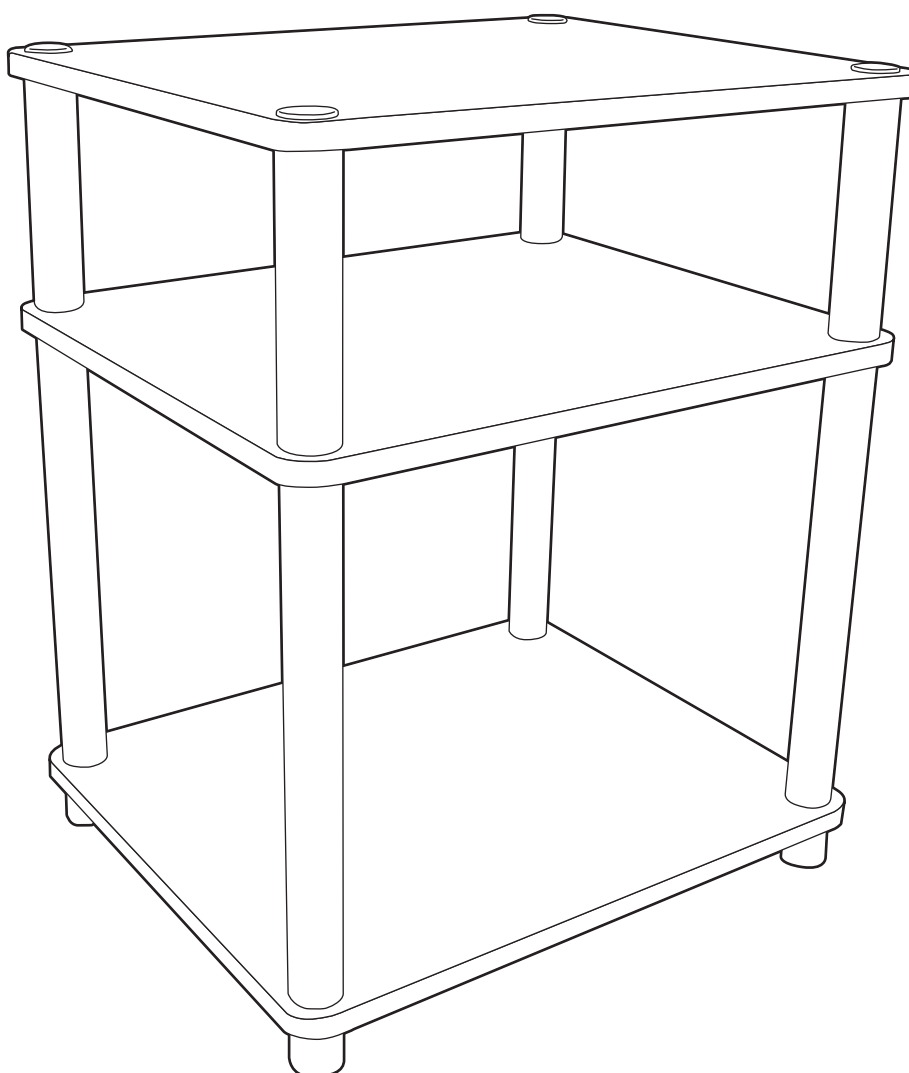


Verona HiFi Unit

Assembly Instructions - Please keep for future reference

609/5088

610/7378



Dimensions

Width - 48cm

Depth - 40cm

Height - 59cm

Important - Please read these instructions fully before starting assembly

If you need help or have damaged or missing parts, call the **Customer Helpline: 08456 400800**



Safety and Care Advice

Important - Please read these instructions fully before starting assembly

- Check you have all the components and tools listed on pages 2 and 3.
- Remove all fittings from the plastic bags and separate them into their groups.
- Keep children and animals away from the work area, small parts could choke if swallowed.
- Make sure you have enough space to layout the parts before starting.

- Do not stand on the panels, this could cause damage.
- Assemble the unit as close to its final position (in the same room) as possible.
- Assemble on a soft level surface to avoid damaging the unit or your floor.
- Parts of the assembly will be easier with 2 people.



- We do not recommend the use of power drill/ drivers **for inserting screws**, as this could damage the unit. Only use hand screwdrivers.
- Dispose of all packaging carefully and responsibly.
- **Warning:** The unit weighs approximately 6.9kgs. **Please lift with care.**

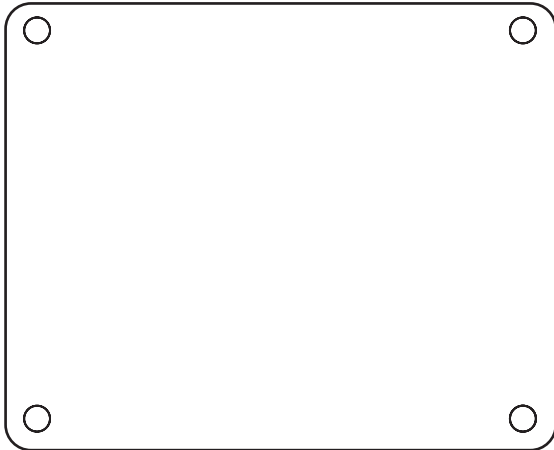
Care and maintenance

- Only clean using a damp cloth and mild detergent, do not use bleach or abrasive cleaners.
- From time to time check that there are no loose screws on this unit.
- This product should not be discarded with household waste. Take to your local authority waste disposal centre.

Components - Panels

If you have damaged or missing components, call the **Customer Helpline:08456 400800**

Please check you have all the panels listed below



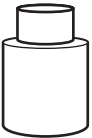
1 Shelf x 3 (48 x 40cm)



2 Leg x 4 (37.1 x Ø3.5cm)



3 Short leg x 4 (19.3 x Ø3.5cm)



4 Foot x 4 (4.7 x Ø3.4cm)

Components - Fittings

Please check you have all the fittings listed below

Note: The quantities below are the correct amount to complete the assembly. In some cases more fittings may be supplied than are required.

| | | |
|---|--|--|
| <p>A Cap screw x 4 Pre-assembled at 4</p>  | | |
|---|--|--|

Assembly Instructions

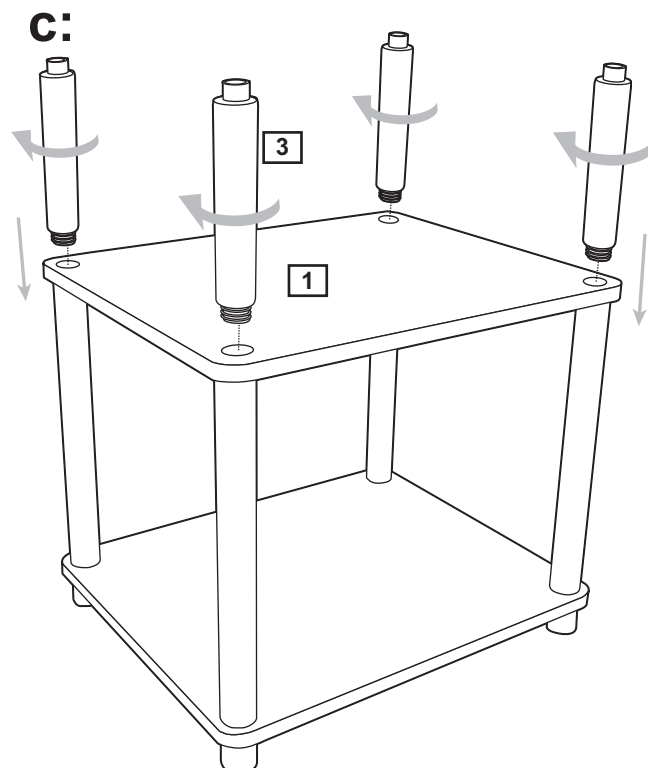
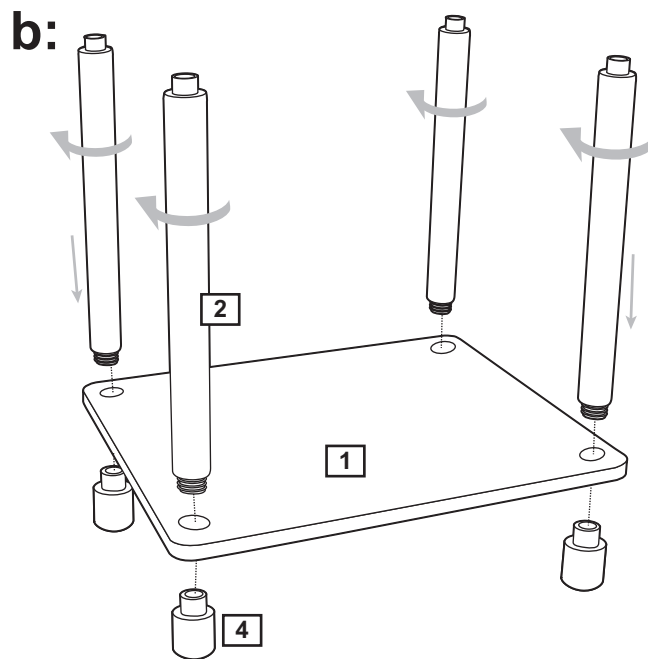
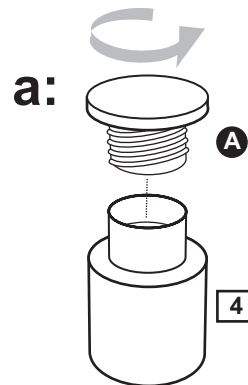
Step 1

Fitting the legs

a: Unscrew Cap screws **A** from the Feet **4**.

b: Screw in Legs **2** to fix the Feet **4** onto the shelf **1**.

c: Screw in Short legs **3** to fix the Shelf **1** onto the unit.

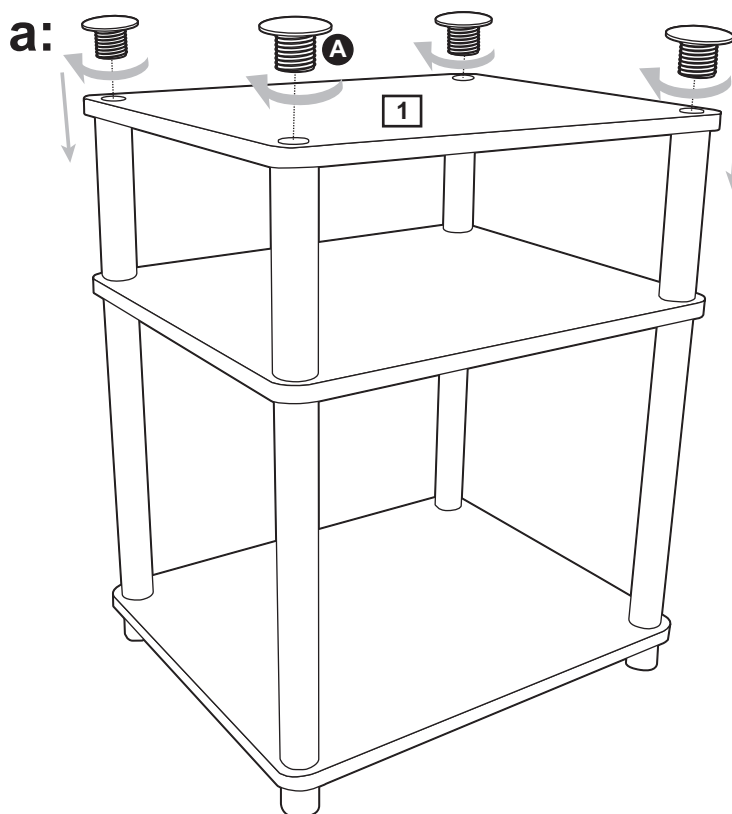


Assembly Instructions

Step 2

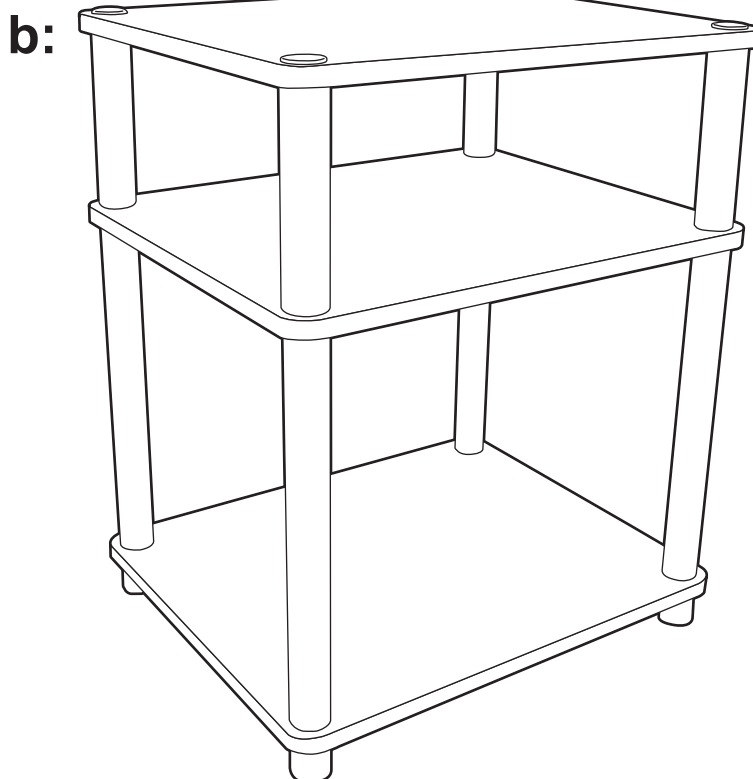
Finishing the unit

a: Screw in Cap screws **A** to fix the other Shelf **1** onto the unit.



b: Carefully place the unit in the desired location.

Note: Before use always make sure the unit is secure.



Assembly is complete.

If you need help or have damaged or missing parts, call the **Customer Helpline : 08456 400800**