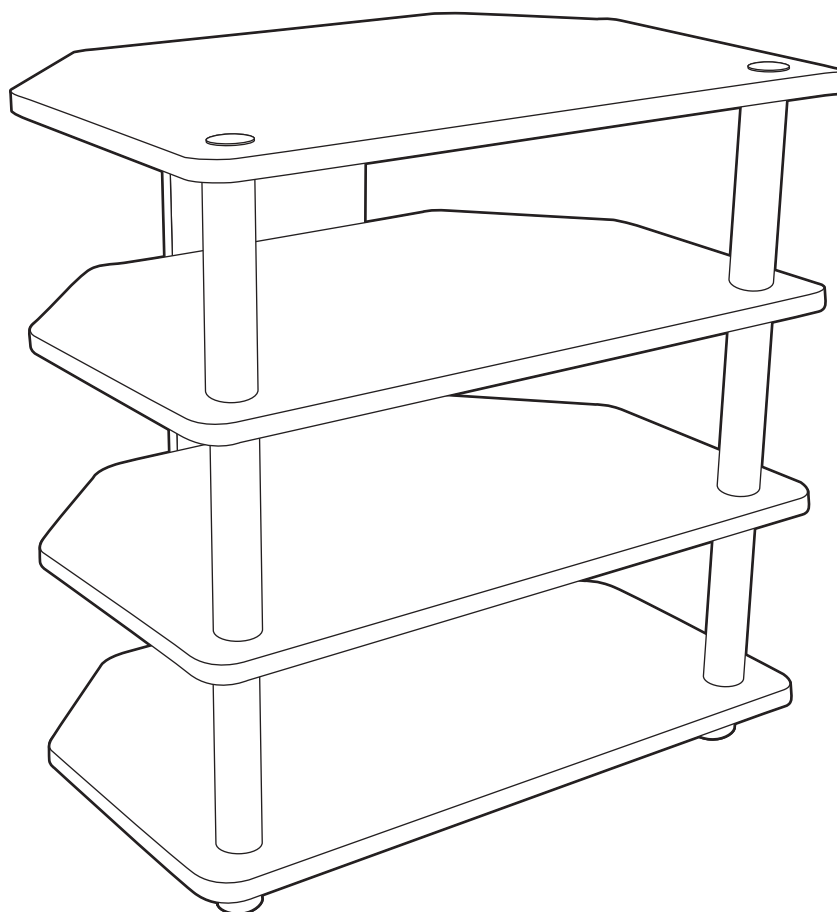


Verona Corner TV Unit

Assembly Instructions - Please keep for future reference

609/5057

610/3475



Dimensions

Width - 60cm

Depth - 40cm

Height - 59.5cm

Important - Please read these instructions fully before starting assembly

If you need help or have damaged or missing parts, call the **Customer Helpline: 08456 400800**



Safety and Care Advice

Important - Please read these instructions fully before starting assembly

- Check you have all the components and tools listed on pages 2 and 3.
- Remove all fittings from the plastic bags and separate them into their groups.
- Keep children and animals away from the work area, small parts could choke if swallowed.
- Make sure you have enough space to layout the parts before starting.

- Do not stand on the panels, this could cause damage.
- Assemble the unit as close to its final position (in the same room) as possible.
- Assemble on a soft level surface to avoid damaging the unit or your floor.
- Parts of the assembly will be easier with 2 people.



- We do not recommend the use of power drill/ drivers **for inserting screws**, as this could damage the unit. Only use hand screwdrivers.
- Dispose of all packaging carefully and responsibly.
- **Warning:** The unit weighs approximately 11kgs. **Please lift with care.**

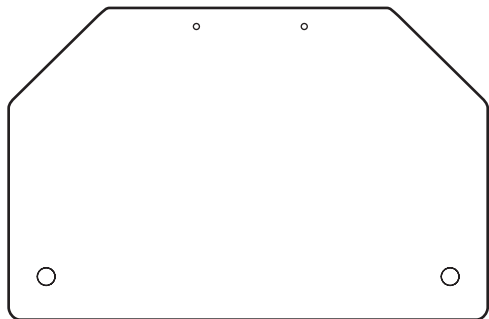
Care and maintenance

- Only clean using a damp cloth and mild detergent, do not use bleach or abrasive cleaners.
- From time to time check that there are no loose screws on this unit.
- This product should not be discarded with household waste. Take to your local authority waste disposal centre.

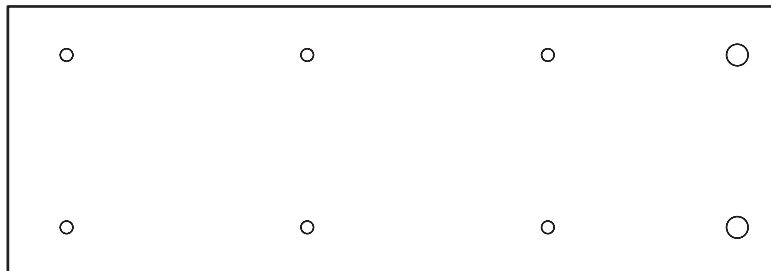
Components - Panels

If you have damaged or missing components, call the **Customer Helpline:08456 400800**

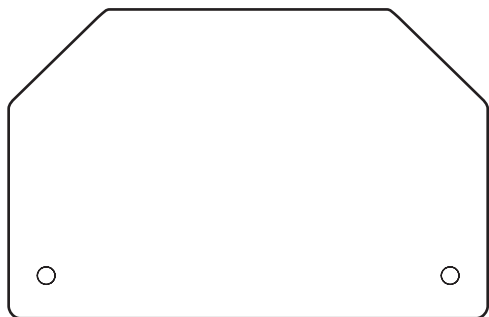
Please check you have all the panels listed below



1 Table top (60 x 40cm)



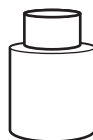
3 Back panel (57.5 x 20cm)



2 Shelf x 3 (60 x 38.5cm)



4 Leg x 6 (19.3 x Ø3.5cm)


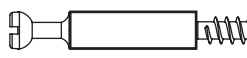





5 Foot x 2 (4.7 x Ø3.4cm)

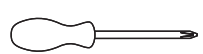
Components - Fittings

Please check you have all the fittings listed below

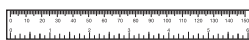
Note: The quantities below are the correct amount to complete the assembly. In some cases more fittings may be supplied than are required.

<p>A</p>  <p>Cap screw x 2 Pre-assembled at 5</p>	<p>B</p>  <p>Locking pin x 2</p>	<p>C</p>  <p>Locking nut x 2</p>
<p>D</p>  <p>50mm Screw x 6</p>	<p>E</p>  <p>Tool x 1</p>	

Tools required



Phillips screwdriver
(medium & large)

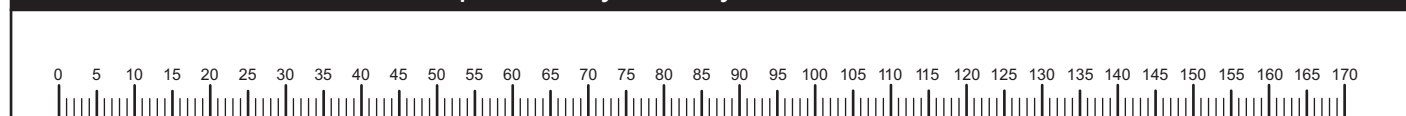


Ruler/tape
measure



Flatblade screwdriver
(medium)

Ruler - Use this ruler to help correctly identify the screws

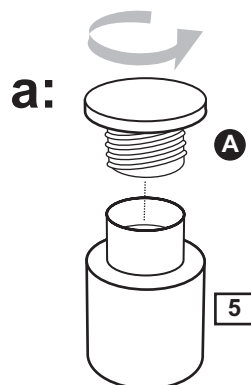


Assembly Instructions

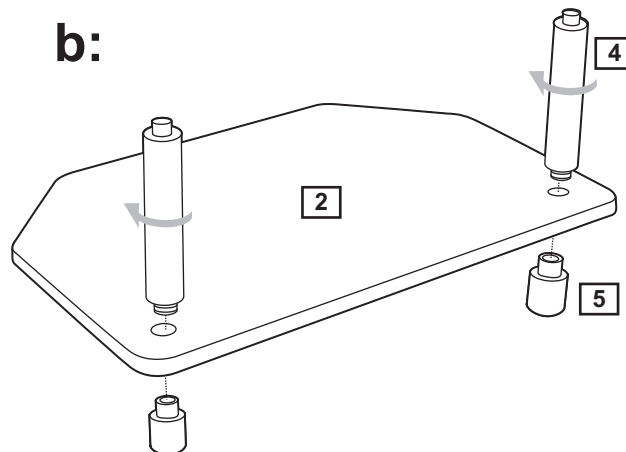
Step 1

Fitting the back panel

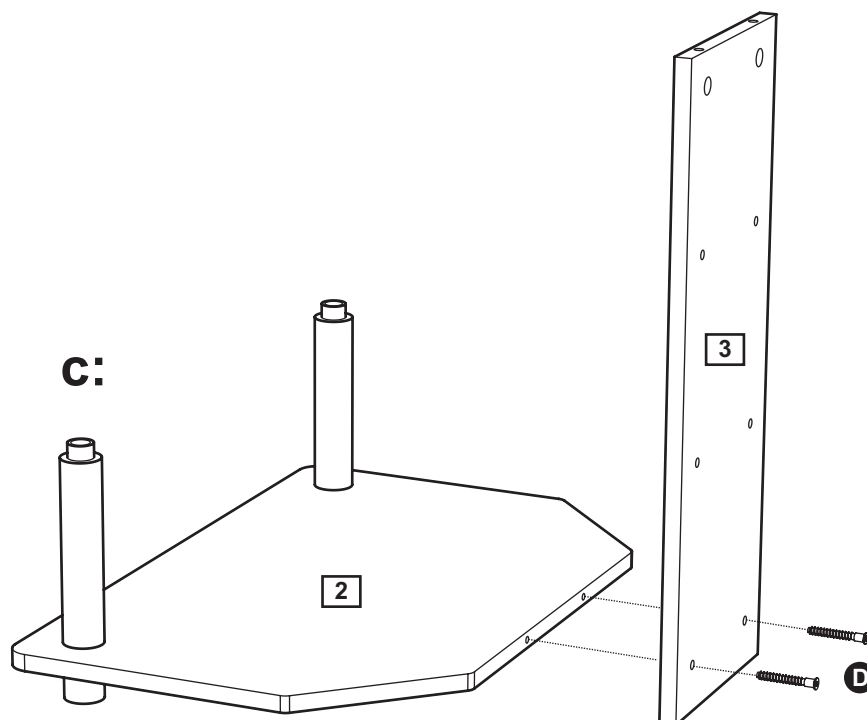
a: Unscrew Cap screws **A** from the Feet **5**.



b: Insert Legs **4** into the first Shelf **2**, then screw Feet **5** into the Legs.



c: Use Screws **D** to fix the Back panel **3** onto the Shelf **2**.

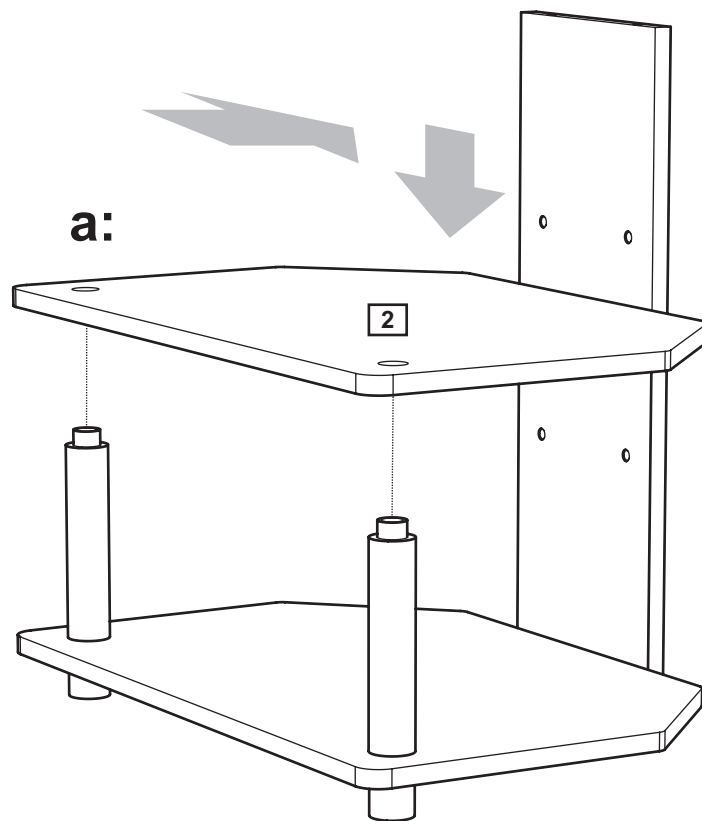


Assembly Instructions

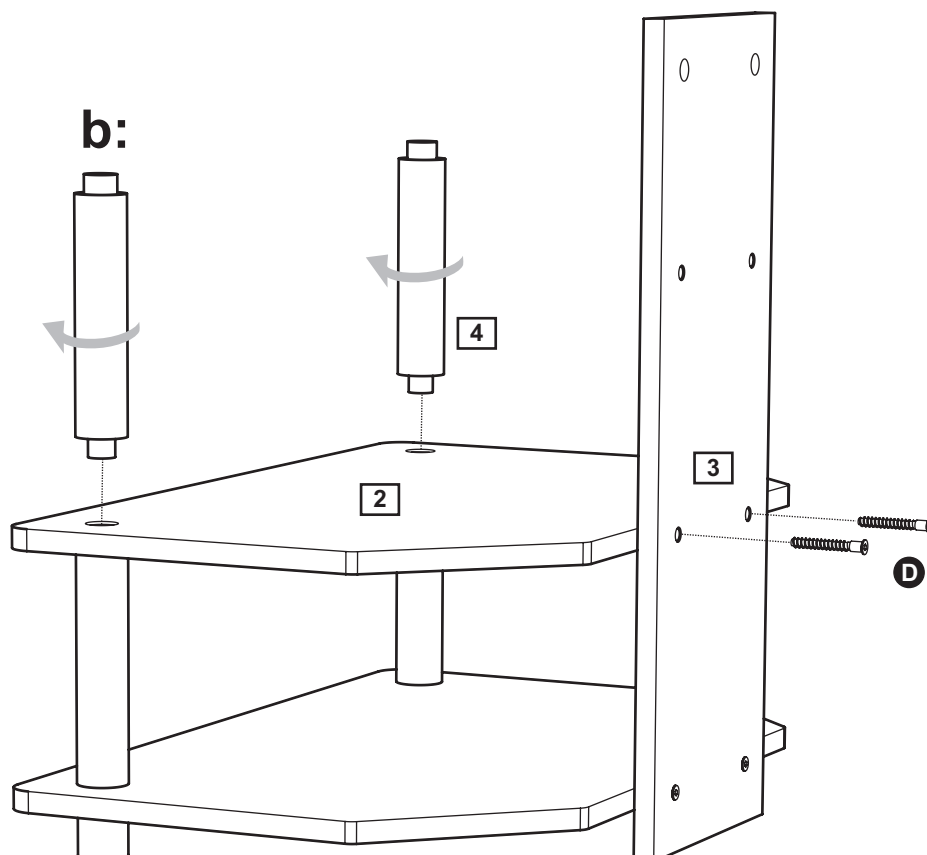
Step 2

Fitting the shelves

a: Carefully locate the second Shelf **2** onto the unit.



b: Use Screws **D** to fix the second Shelf **2** onto the Back panel **3**.
Screw in Legs **4** to fix the second Shelf **2** onto the unit.



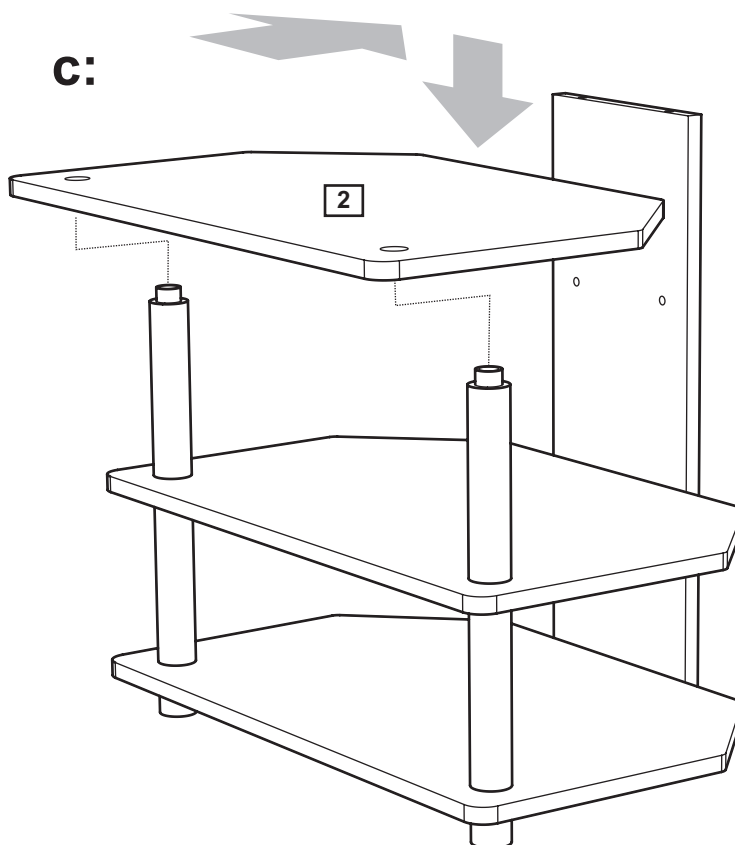
Continued on next page.

Assembly Instructions

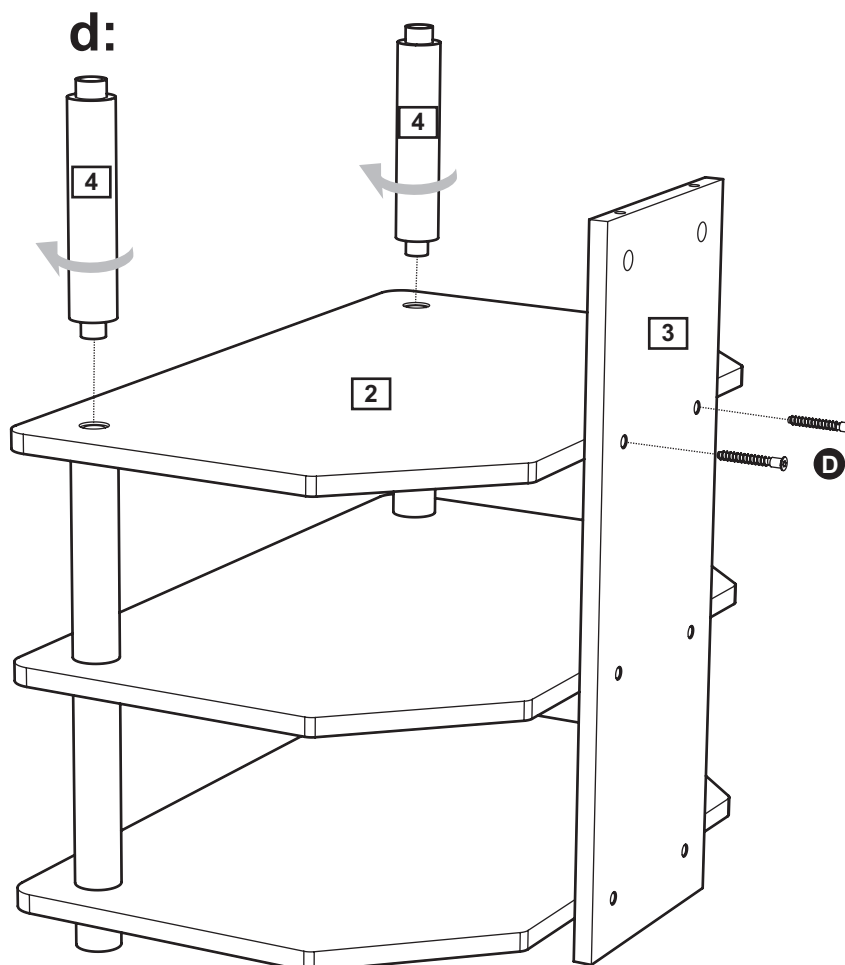
Step 2 - continued

Fitting the shelf

c: Carefully locate the third Shelf **2** onto the unit.



d: Use Screws **D** to fix the third Shelf **2** onto the Back panel **3**.
Screw in Legs **4** to fix the third Shelf **2** onto the unit.

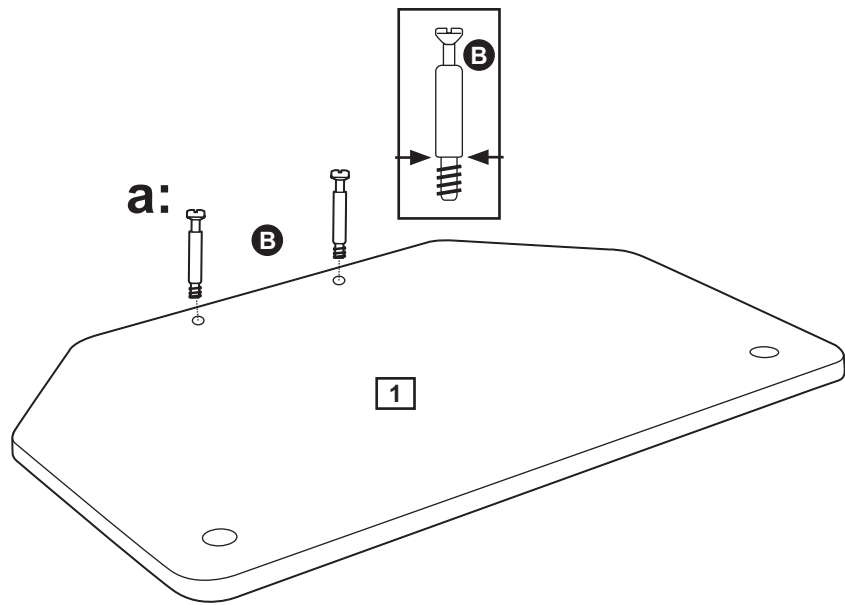


Assembly Instructions

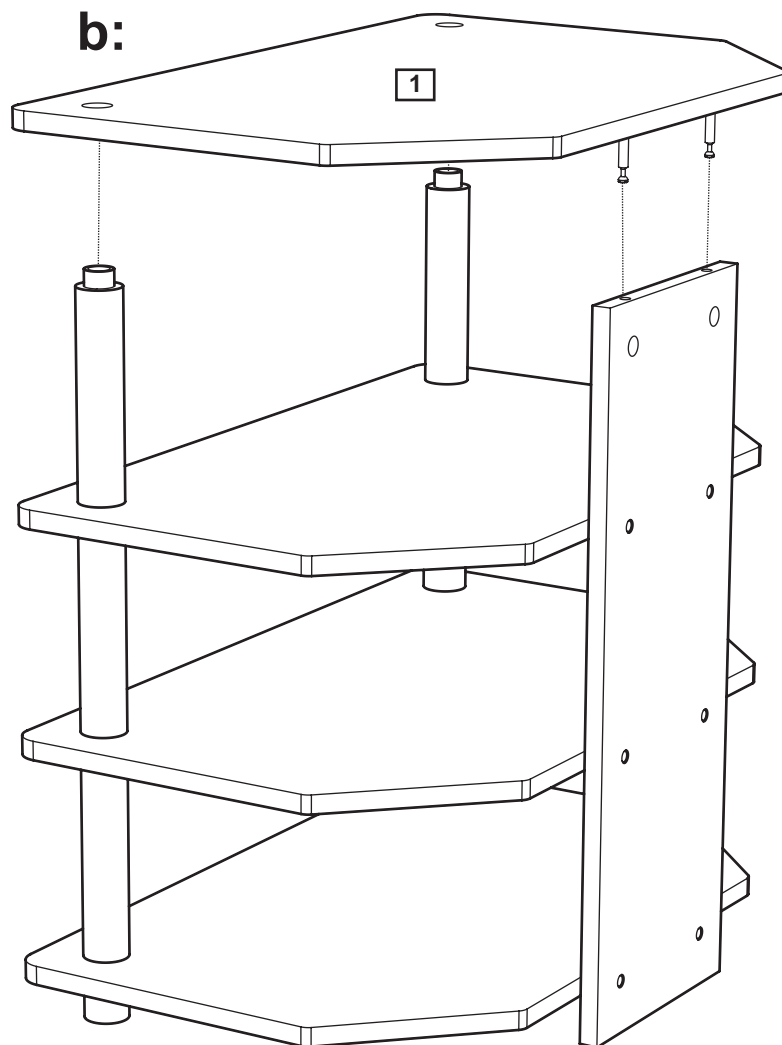
Step 3

Fitting the table top

a: Screw Locking pins **B** into the Top panel **1**.



b: Carefully locate the Table top **1** onto the unit.

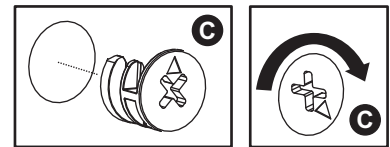
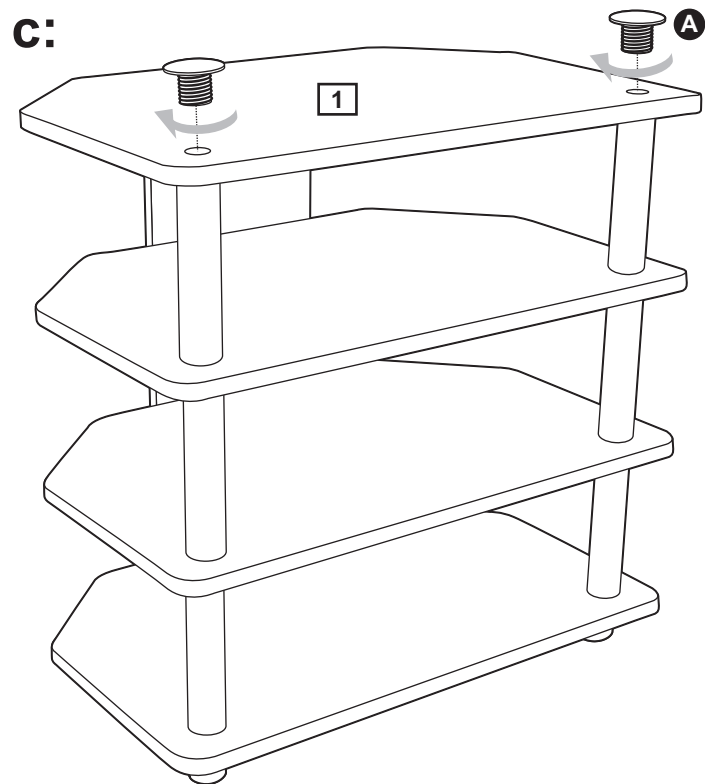


Continued on next page.

Assembly Instructions

Step 3 - continued

c: Screw Cap screws **A** to fix the Table top **1** onto the unit.



d: Use Locking nuts **C** to fix the Table top **1** onto the unit.



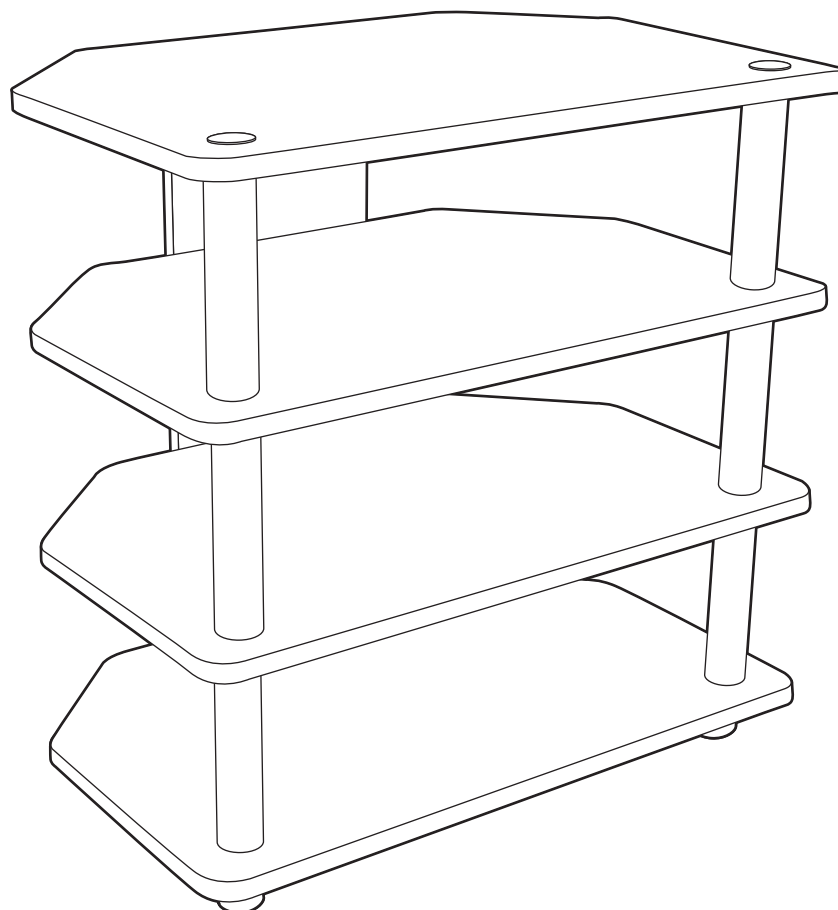
Assembly Instructions

Step 4

Finishing the unit

Finally place the unit in the desired location.

Note: Before use always make sure the unit is secure.



Assembly is complete.

If you need help or have damaged or missing parts, call the **Customer Helpline : 08456 400800**