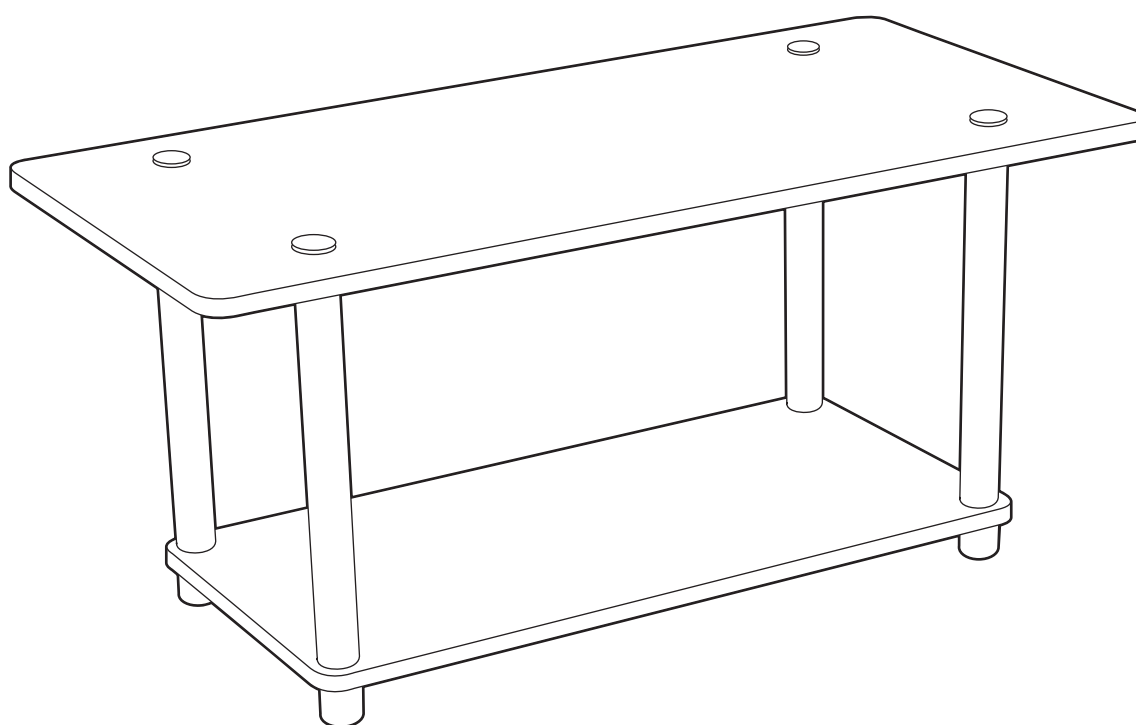


# Verona Coffee Table

Assembly Instructions - Please keep for future reference

609/5033

610/6812



## Dimensions

Width - 90cm

Depth - 45cm

Height - 41cm

**Important - Please read these instructions fully before starting assembly**

If you need help or have damaged or missing parts, call the **Customer Helpline: 08456 400800**



# Safety and Care Advice

**Important** - Please read these instructions fully before starting assembly

- Check you have all the components and tools listed on pages 2 and 3.
- Remove all fittings from the plastic bags and separate them into their groups.
- Keep children and animals away from the work area, small parts could choke if swallowed.
- Make sure you have enough space to layout the parts before starting.

- Do not stand on the panels, this could cause damage.
- Assemble the unit as close to its final position (in the same room) as possible.
- Assemble on a soft level surface to avoid damaging the unit or your floor.
- Parts of the assembly will be easier with 2 people.



- We do not recommend the use of power drill/ drivers **for inserting screws**, as this could damage the unit. Only use hand screwdrivers.
- Dispose of all packaging carefully and responsibly.
- **Warning:** The unit weighs approximately 7.4kgs. **Please lift with care.**

## Care and maintenance

- Only clean using a damp cloth and mild detergent, do not use bleach or abrasive cleaners.
- From time to time check that there are no loose screws on this unit.
- This product should not be discarded with household waste. Take to your local authority waste disposal centre.

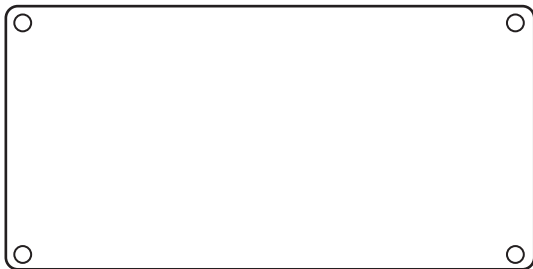
# Components - Panels

If you have damaged or missing components, call the **Customer Helpline:08456 400800**

Please check you have all the panels listed below



**1** Table top (90 x 45cm)



**2** Shelf (70 x 35cm)



**3** Post x 4 (37.1 x Ø3.5cm)



**4** Foot x 4 (4.7 x Ø3.4cm)

# Components - Fittings

Please check you have all the fittings listed below

**Note:** The quantities below are the correct amount to complete the assembly. In some cases more fittings may be supplied than are required.

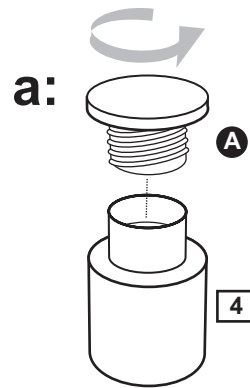
<p><b>A</b> Cap screw x 4 Pre-assembled at <b>4</b></p>			
---	--	--	--

# Assembly Instructions

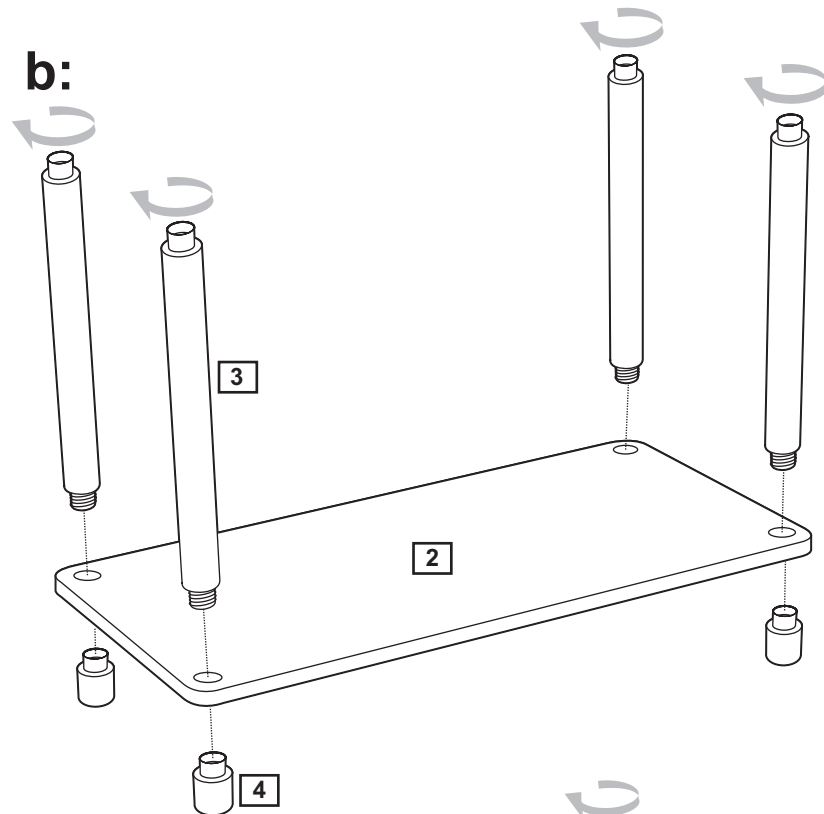
## Step 1

### Fitting the legs

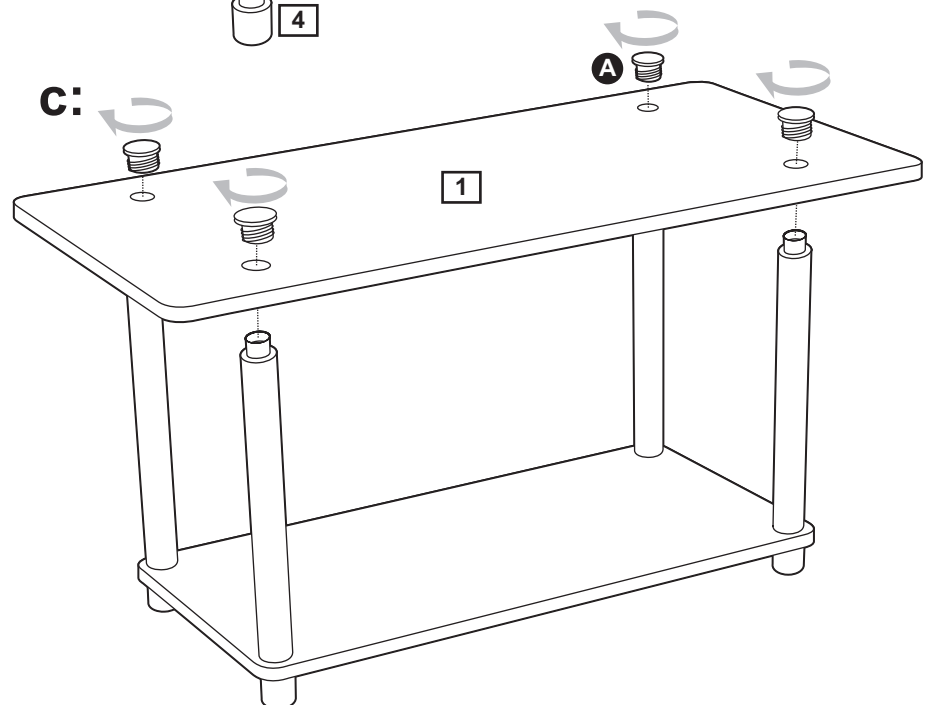
**a:** Unscrew Cap screws **A** from the Feet **4**.



**b:** Use Legs **3** to fix the Feet **4** onto the Shelf **2**.



**c:** Use Cap screws **A** to fix the Top panel **1** onto the unit.



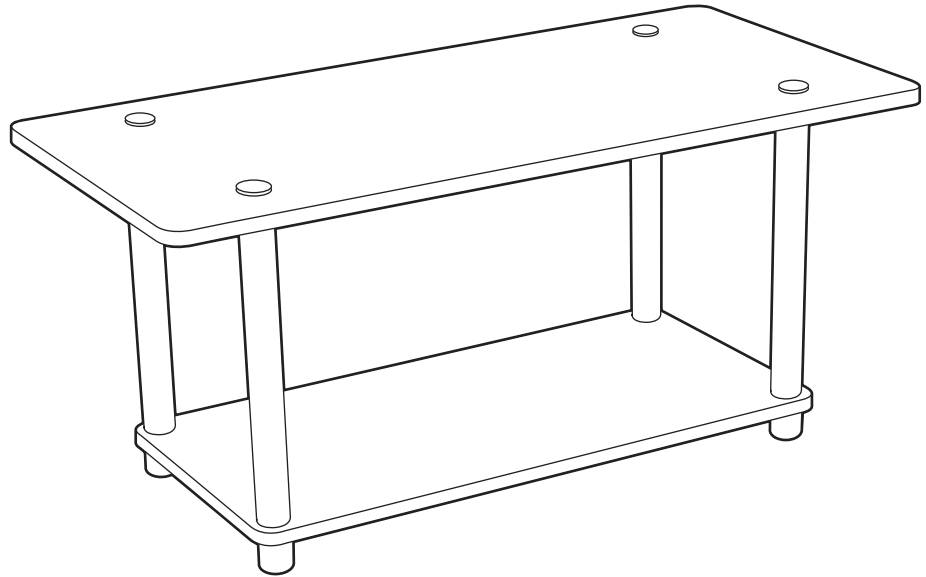
# Assembly Instructions

## Step 2

### Finishing the unit

Finally place the unit in the desired location.

**Note:** Before use always make sure the unit is secure.



**Assembly is complete.**

If you need help or have damaged or missing parts, call the **Customer Helpline : 08456 400800**