

Modular TV Unit

Assembly Instructions - Please keep for future reference

609/2256

609/2263

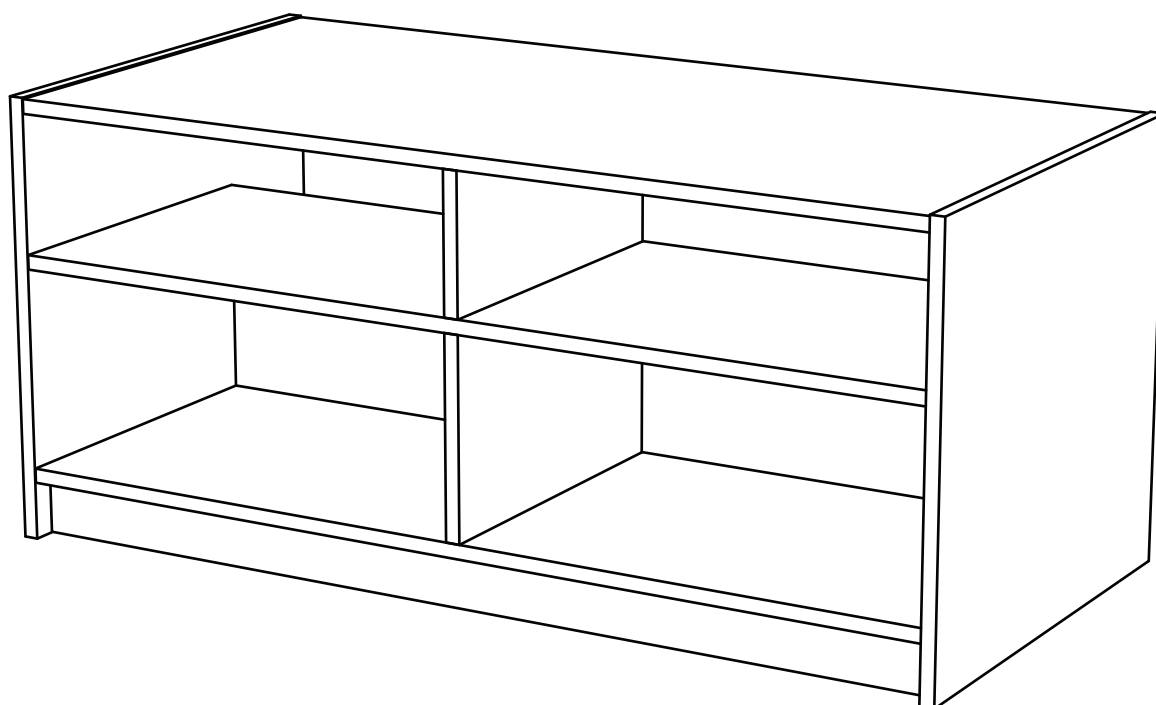
609/2270

609/2287

609/2294

609/3516

609/3602



Dimensions

Width - 103cm

Depth - 50cm

Height - 46cm

Important - Please read these instructions fully before starting assembly

If you need help or have damaged or missing parts, call the **Customer Helpline: 08456 400800**



Safety and Care Advice

Important - Please read these instructions fully before starting assembly

- Check you have all the components and tools listed on pages 2 and 3.
- Remove all fittings from the plastic bags and separate them into their groups.
- Keep children and animals away from the work area, small parts could choke if swallowed.
- Make sure you have enough space to layout the parts before starting.

- Do not stand on the product, this could cause damage.
- Assemble the item as close to its final position (in the same room) as possible.
- Assemble on a soft level surface to avoid damaging the unit or your floor.
- Parts of the assembly will be easier with 2 people.



- We do not recommend the use of power drill/drivers **for inserting screws**, as this could damage the unit. Only use hand screwdrivers.
- Dispose of all packaging carefully and responsibly.

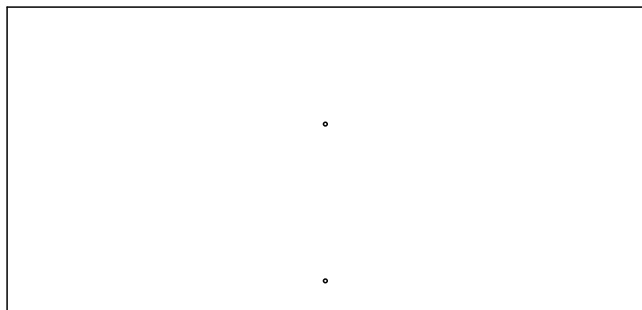
Care and maintenance

- Only clean using a damp cloth and mild detergent, do not use bleach or abrasive cleaners.
- From time to time check that there are no loose screws on this unit.
- This product should not be discarded with household waste. Take to your local authority waste disposal centre.

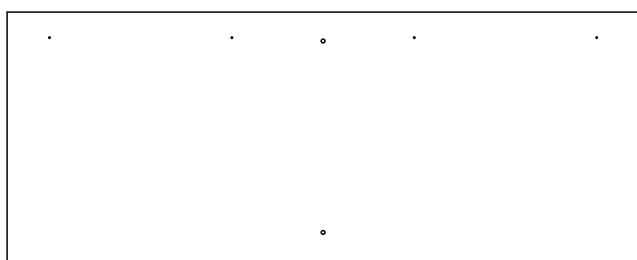
Components - Panels

If you have damaged or missing components, call the **Customer Helpline: 08456 400800**

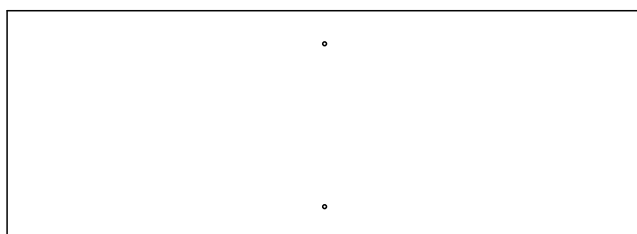
Please check you have all the panels listed below



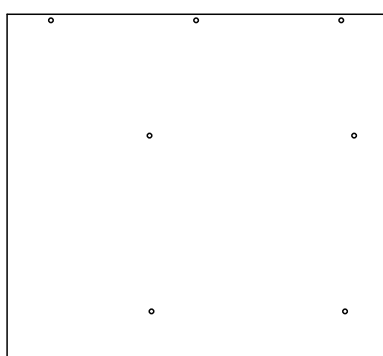
1 Table Top Panel (99.8 x 49.9cm)



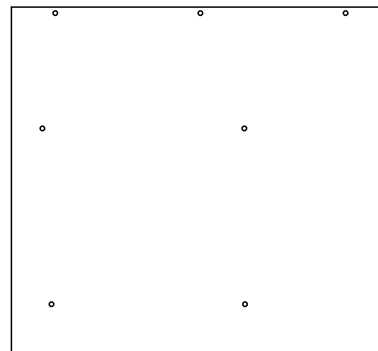
2 Bottom Panel (99.8 x 36cm)



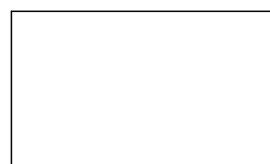
3 Middle Shelf (99.8 x 36cm)



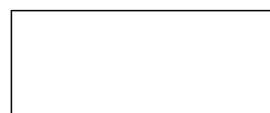
4 Right Side Panel (50 x 46cm)



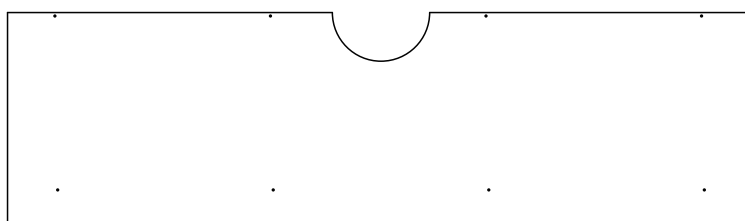
5 Left Side Panel (50 x 46cm)



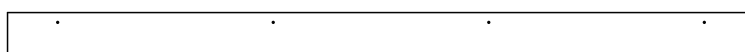
6 Lower Central Panel (35.9 x 20.9cm)



7 Upper Central Panel (35.9 x 14.5cm)



8 Back Panel (99.8 x 29.5cm)





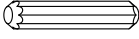

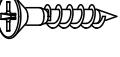


9 Front Panel (99.8 x 5.9cm)

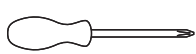
Components - Fittings

Please check you have all the fittings listed below

Note: The quantities below are the correct amount to complete the assembly. in some cases more fittings may be supplied than are required.

<p>A </p> <p>Plastic Support x 4</p>	<p>B </p> <p>14mm Screw x 8</p>	<p>C </p> <p>Long Wooden Dowel x 2</p>
<p>D </p> <p>50mm Screw x 16</p>	<p>E </p> <p>Short Wooden Dowel x 2</p>	<p>F </p> <p>Screw Cover x 14</p>
<p>G </p> <p>20mm Screw x 8</p>		

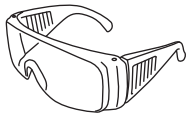
Tools required



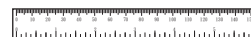
Phillips screwdriver
(medium & large)



Bradawl
(or sharp point)

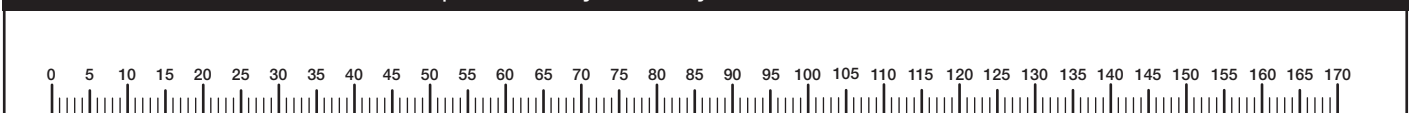


Eye protection
(when using a
hammer or glue)



Ruler/tape
measure

Ruler - Use this ruler to help correctly identify the screws



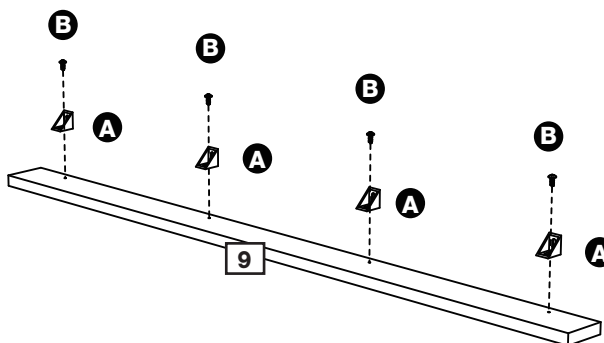
Assembly Instructions

Step 1

Attaching front panel

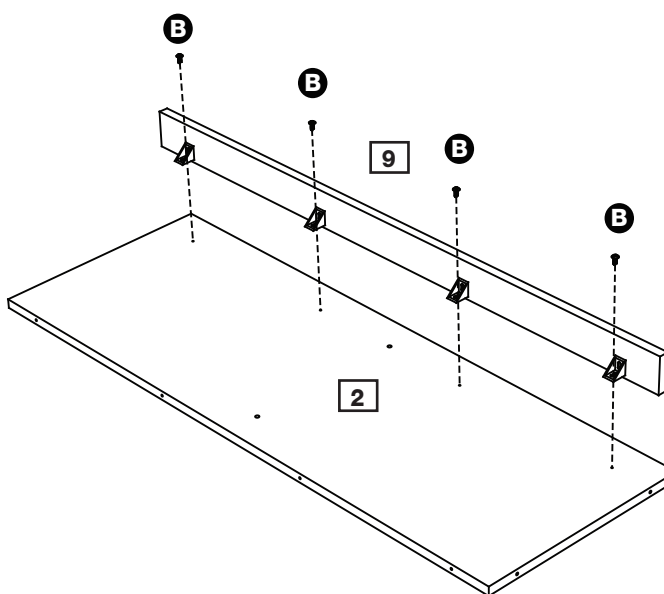
a: Use Screws **B** to fix the Plastic Supports **A** onto the Front Panel **9**.

a:



b: Use Screws **B** to fix the Front Panel **9** onto the Bottom Panel **2**.

b:

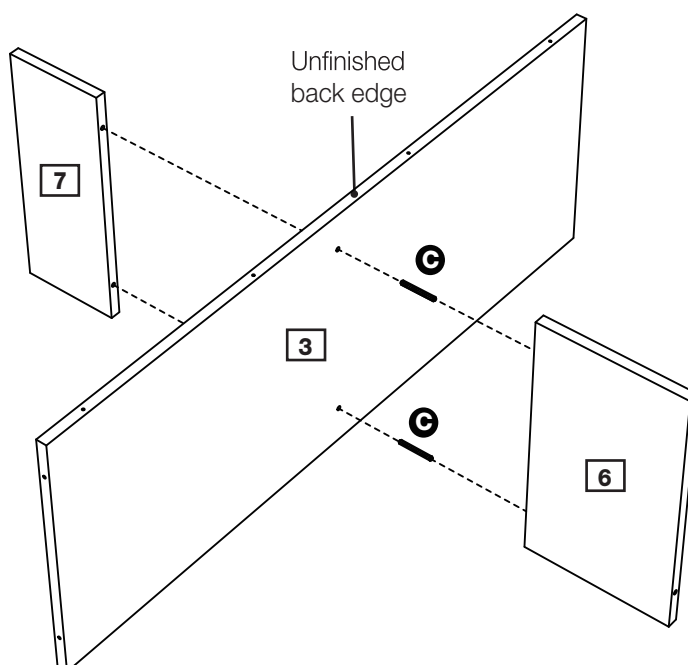


Step 2

Attaching middle shelf

a: Use Long Wooden Dowels **C** to fix the Upper Central Panel **7** and Lower Central Panel **6** onto the Middle Shelf **3**.

a:



Two persons assembly is required.

Assembly Instructions

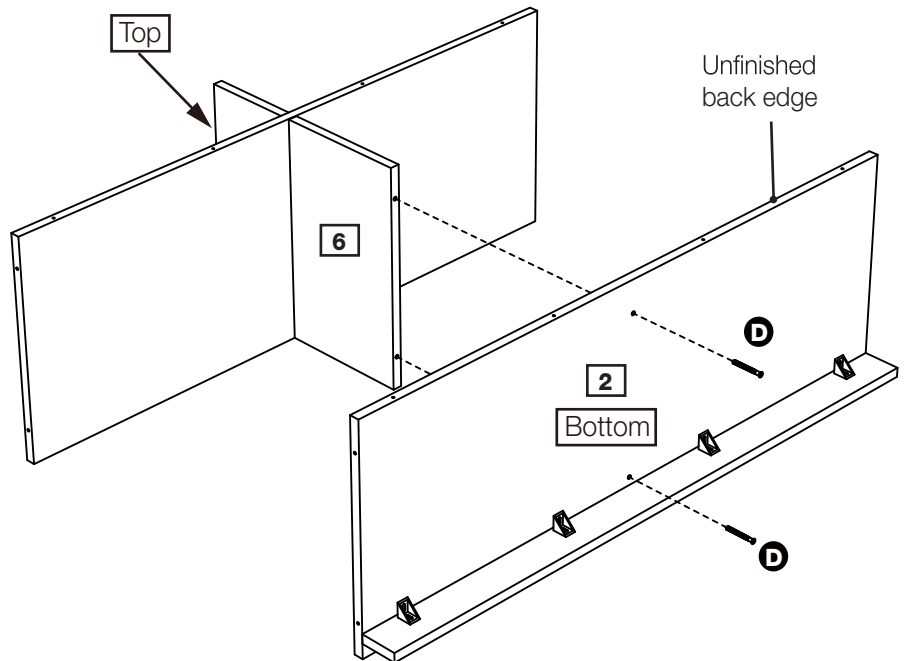
Step 3

Attaching bottom panel

a: Use Screws **D** to fix the Bottom Panel **2** onto the Lower Central Panel **6**.

Two persons assembly is required.

a:



Step 4

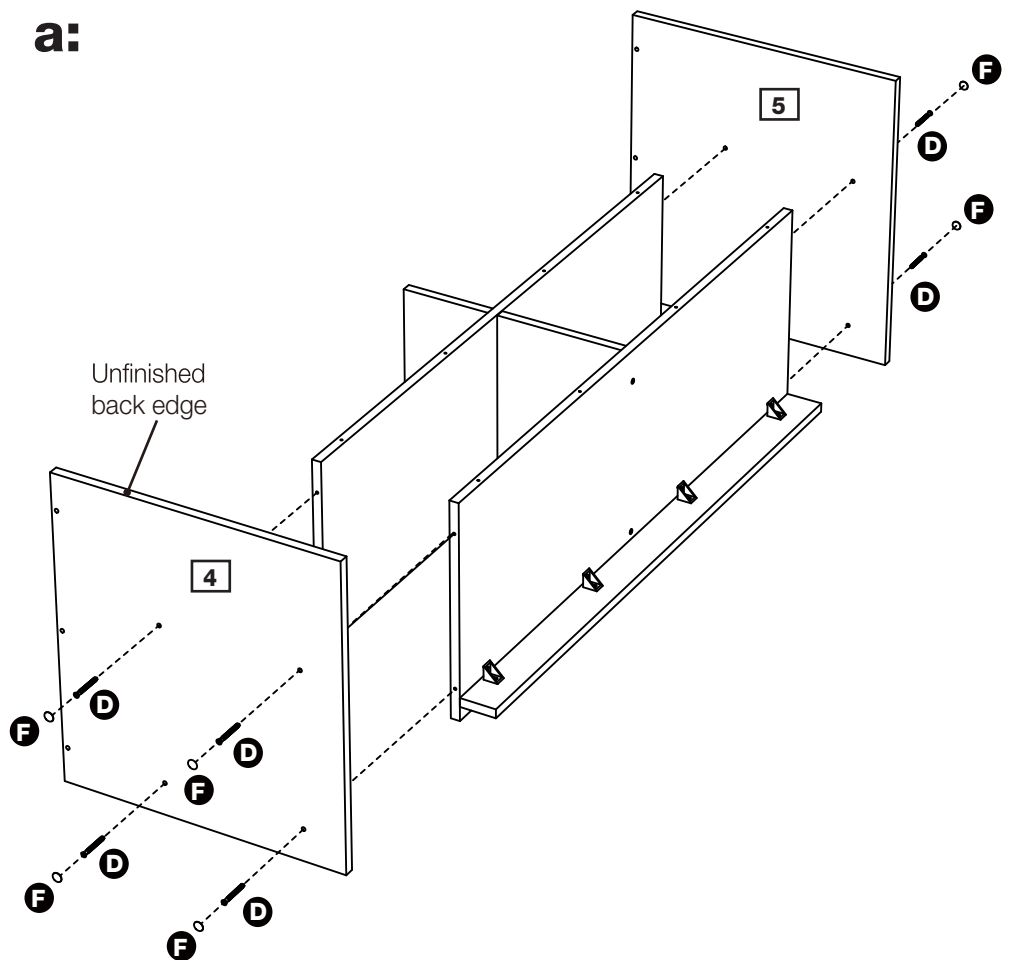
Attaching side panels

a: Use Screws **D** to fix the Left Side Panel **5** and Right Side Panel **4** onto the unit.

Use Screw Covers **F** to cover the Screw Heads.

Two persons assembly is required.

a:



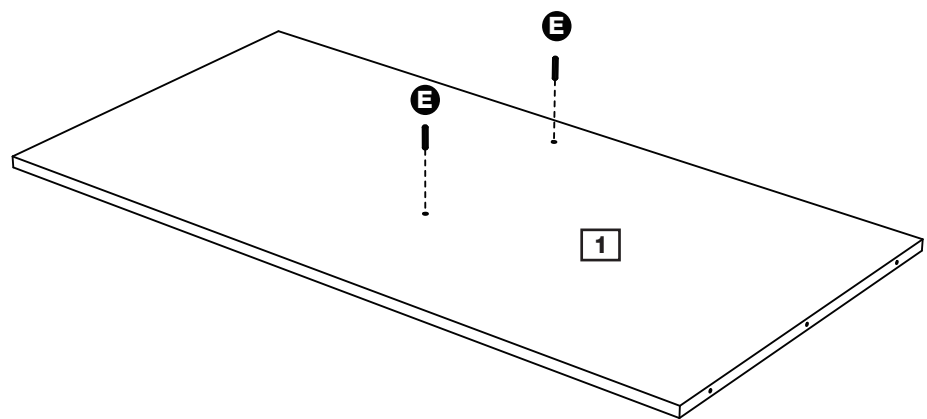
Assembly Instructions

Step 5

Attaching table top panel

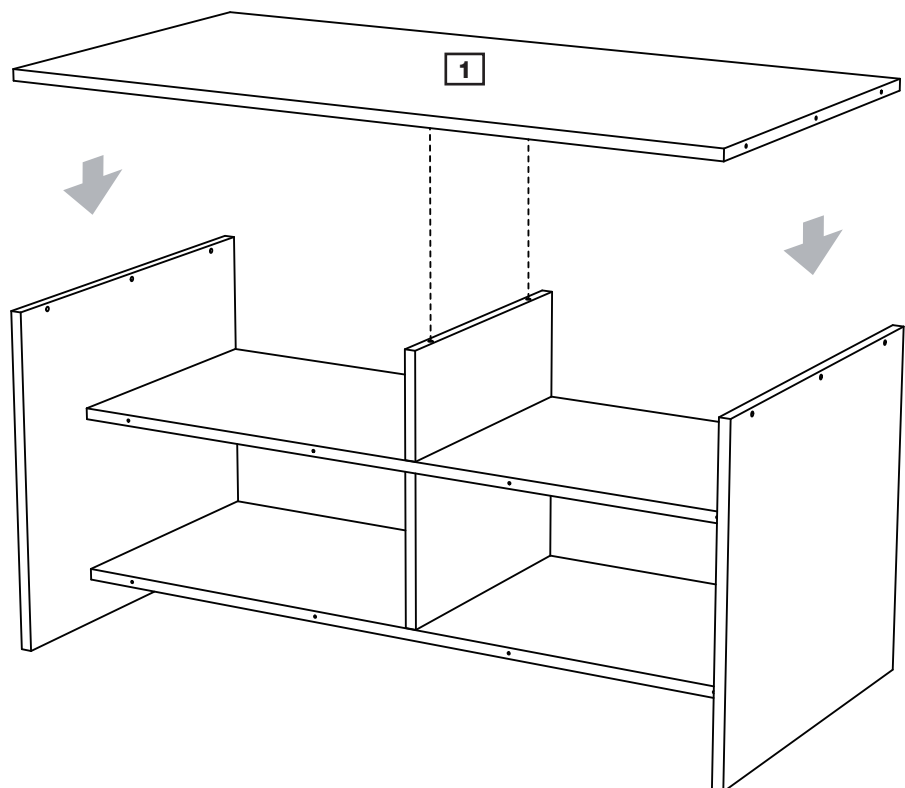
a: Insert Short Wooden Dowels **E** into the Table Top Panel **1**.

a:



b: Carefully place the Table Top Panel **1** onto the unit.

b:

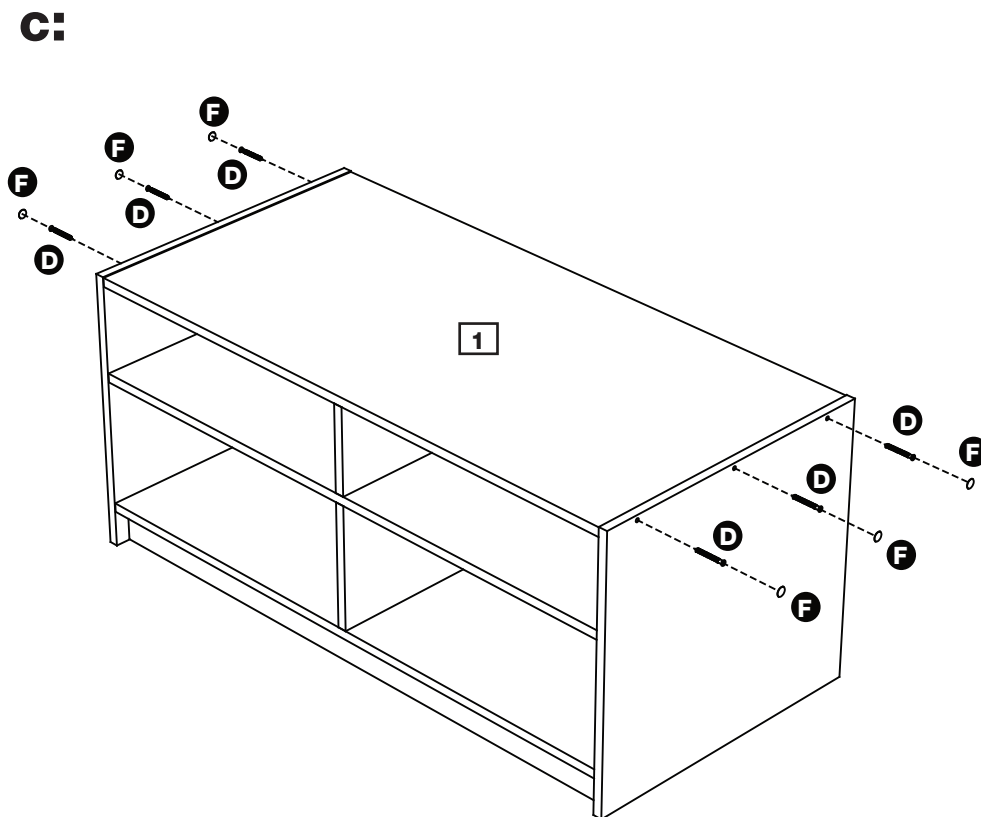


Assembly Instructions

Step 5 - continued

c: Use Screws **D** to fix the Table Top Panel **1** onto the unit.

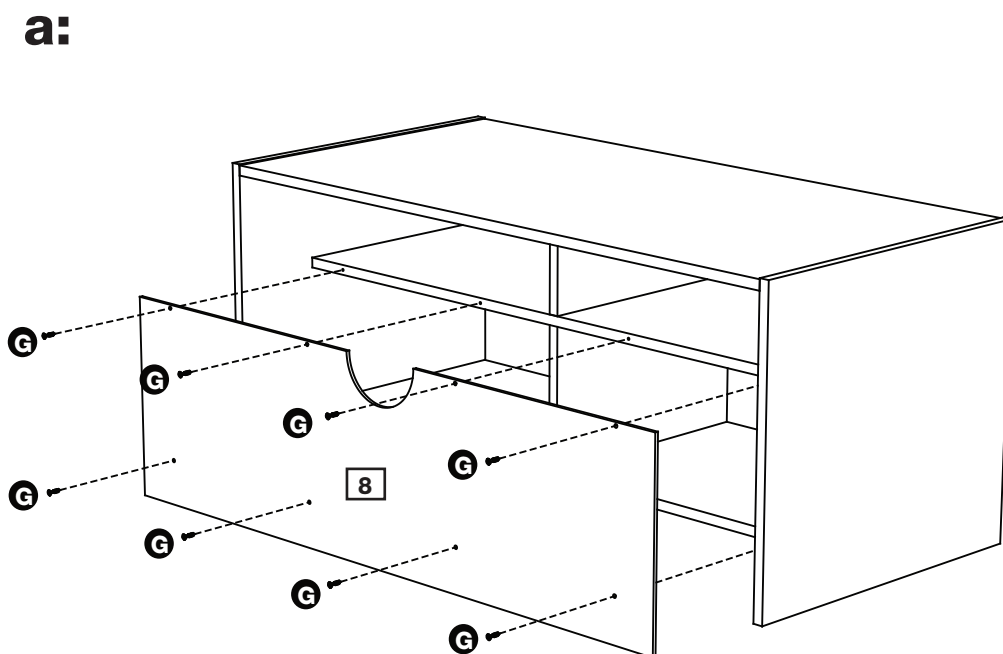
Use Screw Covers **F** to cover the Screw Heads.



Step 6

Fixing back panel

a: Use Screws **G** to fix the Back Panel **8** onto the unit.



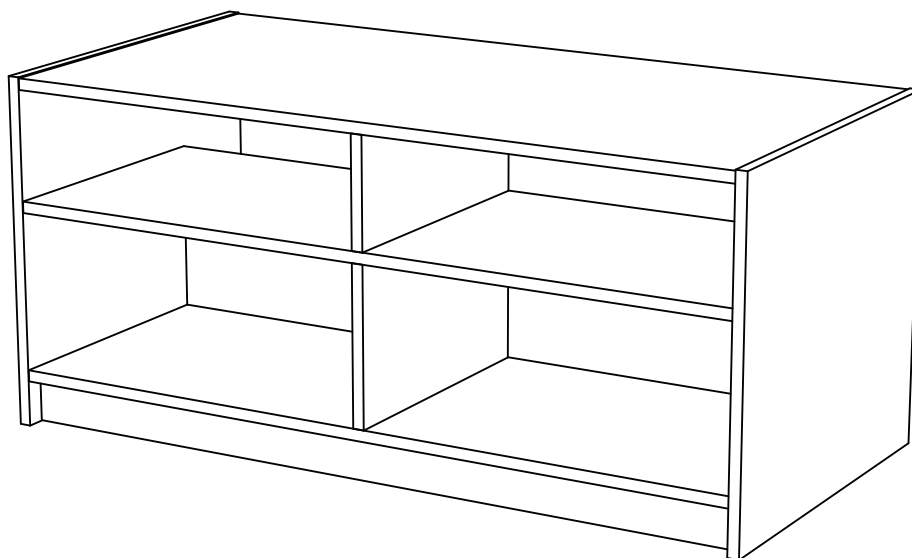
Assembly Instructions

Step 7

Finishing the unit

Note: It would be useful to ask someone to help you at the stage.

With help, place the unit in the intended position.



Assembly is complete.

If you need help or have damaged or missing parts, call the **Customer Helpline: 08456 400800**

Modular TV Unit

Assembly Instructions - Please keep for future reference

609/2256

609/2263

609/2270

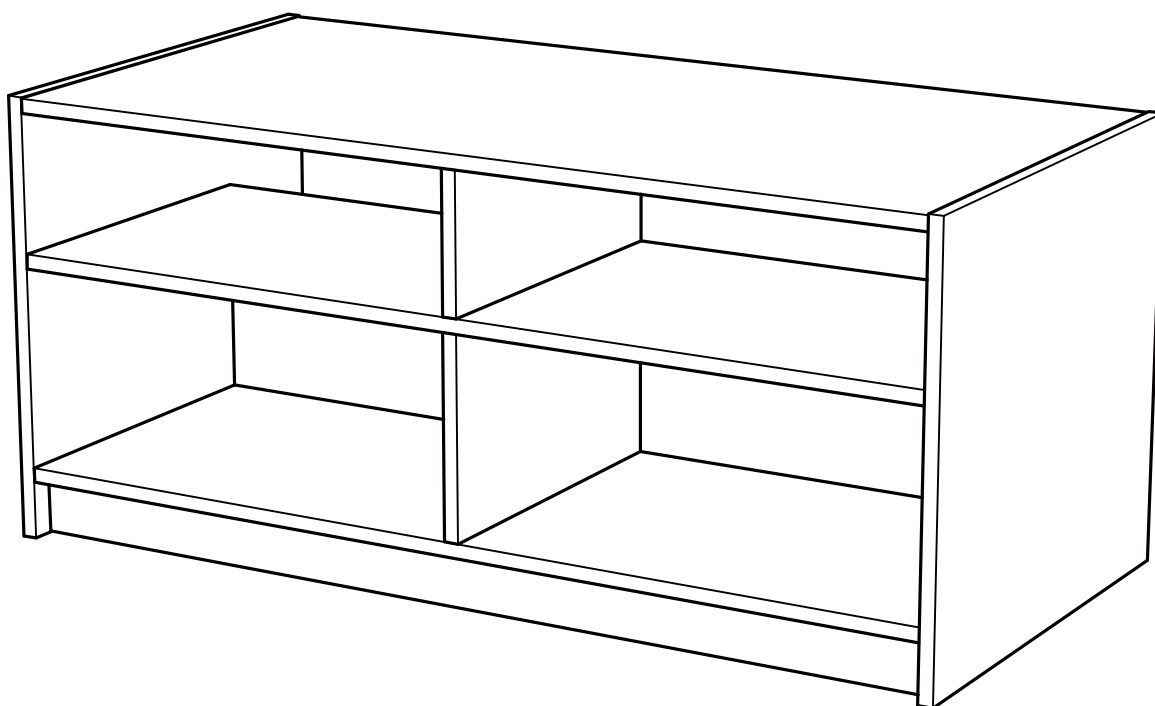
609/2287

609/2294

609/3516

609/3602

327/9869



Dimensions

Width - 103cm

Depth - 50cm

Height - 46cm

Important - Please read these instructions fully before starting assembly

If you need help or have damaged or missing parts, call the **Customer Helpline:**
Argos = 0345 6400800



Safety and Care Advice

Important – Please read these instructions fully before starting assembly

- Check you have all the components and tools listed on the following pages.
- Remove all fittings from the plastic bags and separate them into their groups.
- Keep children and animals away from the work area, small parts could choke if swallowed.
- Make sure you have enough space to layout the parts before starting.

- During assembly do not stand or put weight on the product, this could cause damage.
- Assemble the item as close to its final position (in the same room) as possible.
- Assemble on a soft level surface to avoid damaging the unit or your floor.
- Parts of the assembly will be easier with 2 people.



power drill is set on a low torque setting.

- To reduce the likelihood of damaging your product please ensure that your

Care and maintenance

• Only clean using a damp cloth and mild detergent, do not use bleach or abrasive cleaners.

• From time to time check that there are no loose screws on this unit.

• This product should not be discarded with household waste. Take to your local authority waste disposal centre.

Handy Hints

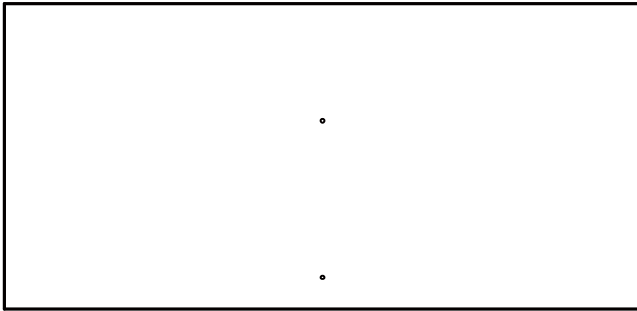
• Assemble all parts and bolts loosely during assembly, only once the product is complete should you fully tighten the bolts

• Regularly check and ensure that all bolts and fittings are tightened properly.

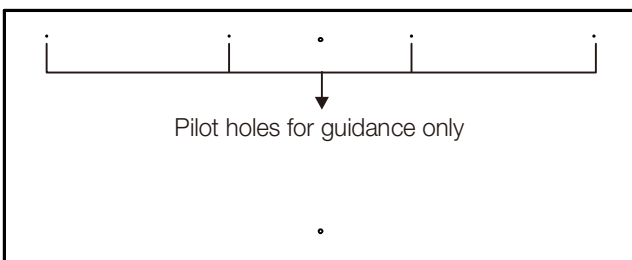
Components - Panels

If you have damaged or missing components, call the
Customer Helpline: Argos = 0345 6400800

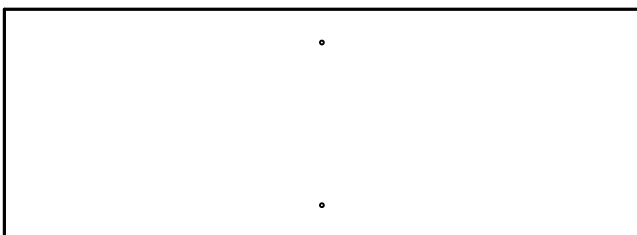
Please check you have all the panels listed below



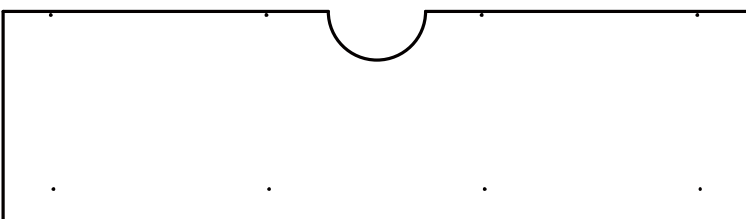
1 Top panel (99.8 x 49.8 cm)



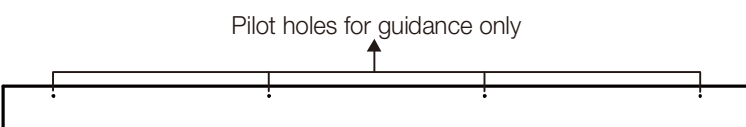
2 Bottom panel (99.8 x 35.9cm)



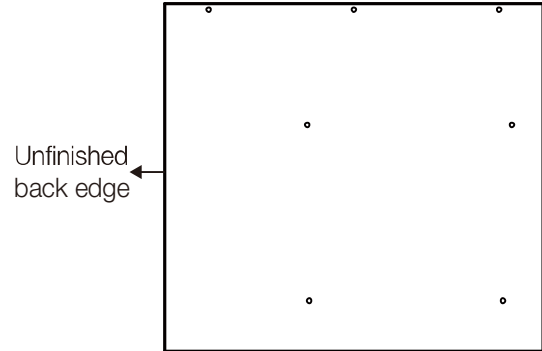
3 Middle shelf (99.8 x 35.9cm)



4 Back panel (99.8 x 29.5cm)



5 Front panel (99.8 x 5.9cm)



6 Side panel x 2 (49.9 x 46cm) Unfinished edge



7 Lower central panel (35.9 x 20.9cm)



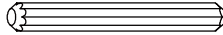

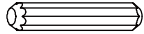




8 Upper central panel (35.9 x 14.5cm)

Components - Fittings

Please check you have all the fittings listed below

Note: The quantities below are the correct amount to complete the assembly. in some cases more fittings may be supplied than are required.

A  Plastic support x 4	B  14mm Screw x 8	C  50mm Dowel x 2
D  50mm Screw x 16	E  30mm Dowel x 2	F  Screw cover x 14
G  20mm Screw x 8		

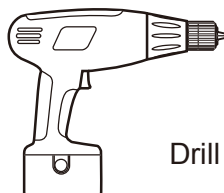
Tools required



Phillips screwdriver
(medium & large)



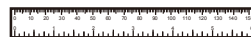
7mm Suitable drill bit
(for use with wall plug)



Drill



Small
hammer

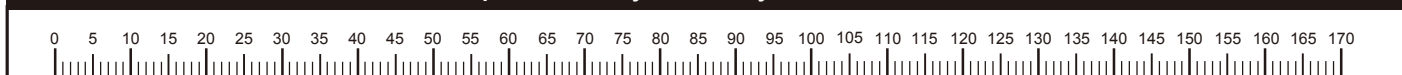


Ruler/tape
measure



Eye protection
(when using a
hammer or glue)

Ruler - Use this ruler to help correctly identify the screws



The screws length is measured from the head to the point (30mm screw shown).

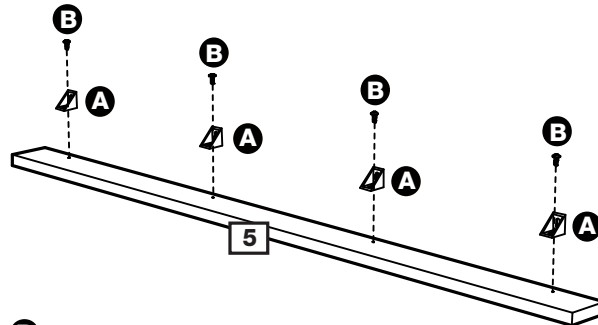
Assembly Instructions

Step 1

Attaching front panel

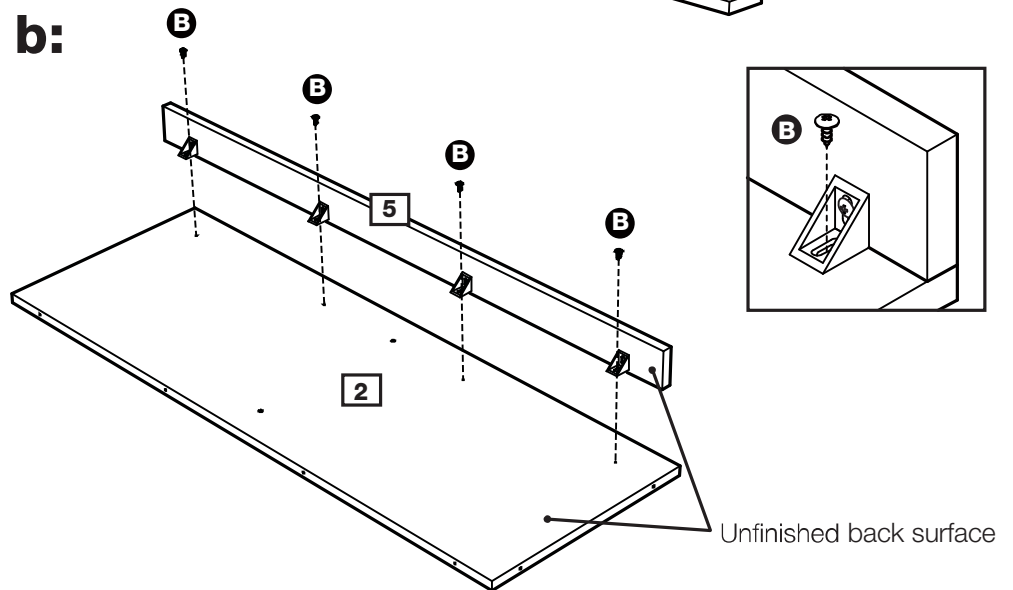
a: Use Screws **B** to fix the Plastic supports **A** onto the Front panel **5**.

a:



b: Position the Front panel **5** onto the Bottom panel **2** using Screws **B**.

b:



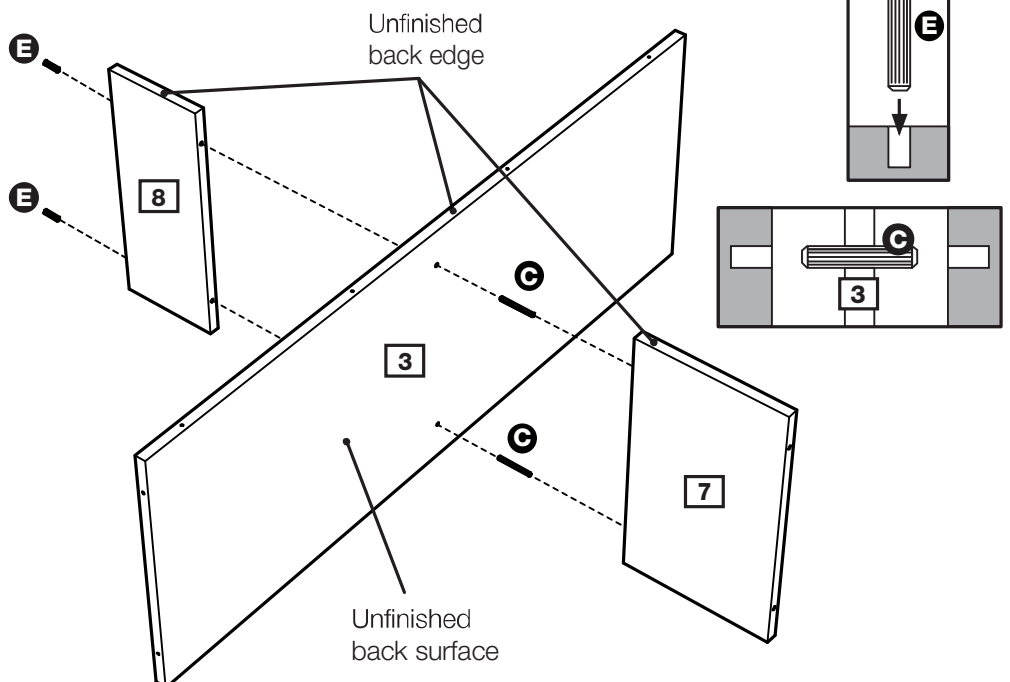
Step 2

Attaching middle shelf

Use Dowels **E** into the Upper central panel **8**.

Position the Upper central panel **8** and Lower central panel **7** onto the Middle shelf **3** using Dowels **C**.

Two persons assembly is required.



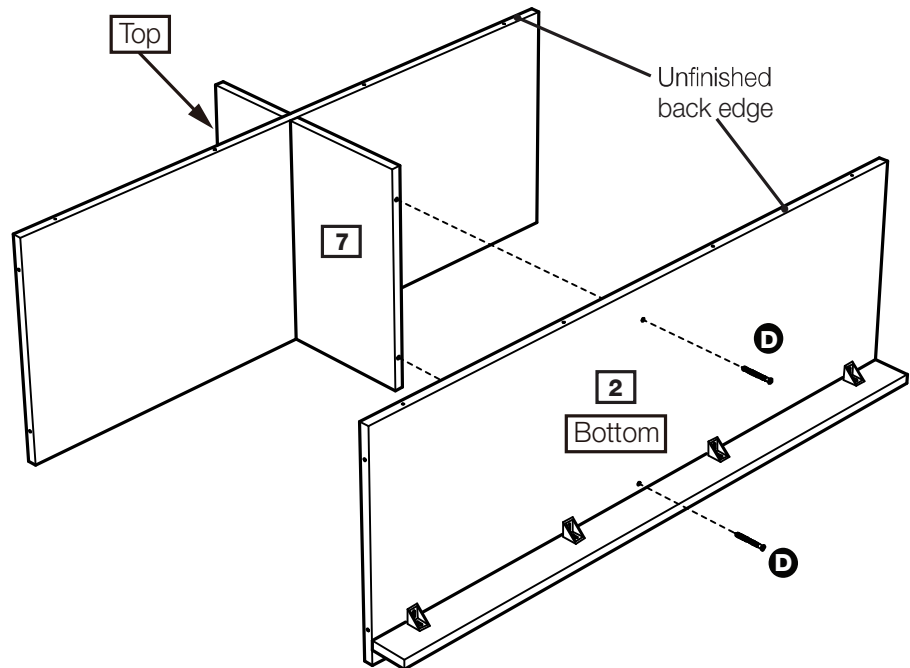
Assembly Instructions

Step 3

Attaching bottom panel

Position the Bottom panel **2** onto the Lower central panel **7** using Screws **D**.

Two persons assembly is required.



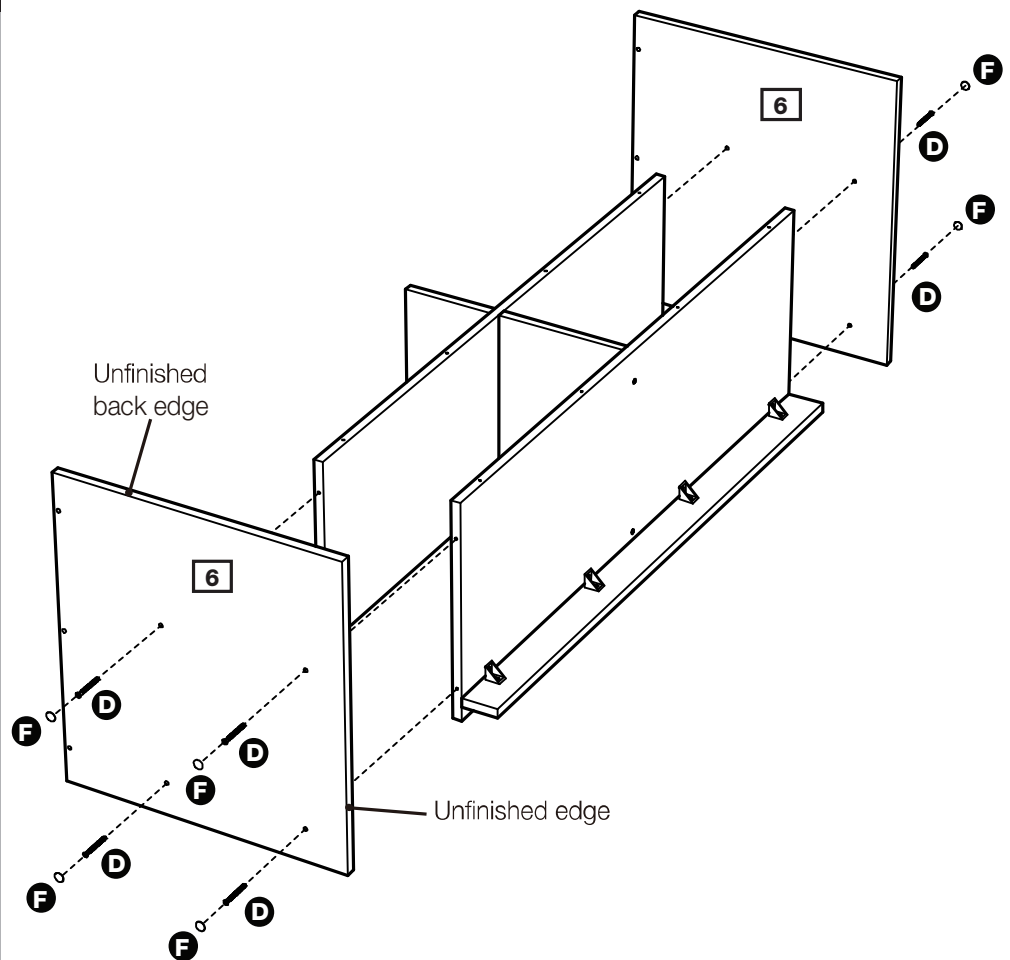
Step 4

Attaching side panels

Position the Side panels **6** onto the unit using Screws **D**.

Use Screw covers **F** to cover the screw heads.

Two persons assembly is required.



Assembly Instructions

Step 5

Attaching top panel

a: With help, carefully stand TV unit upright.



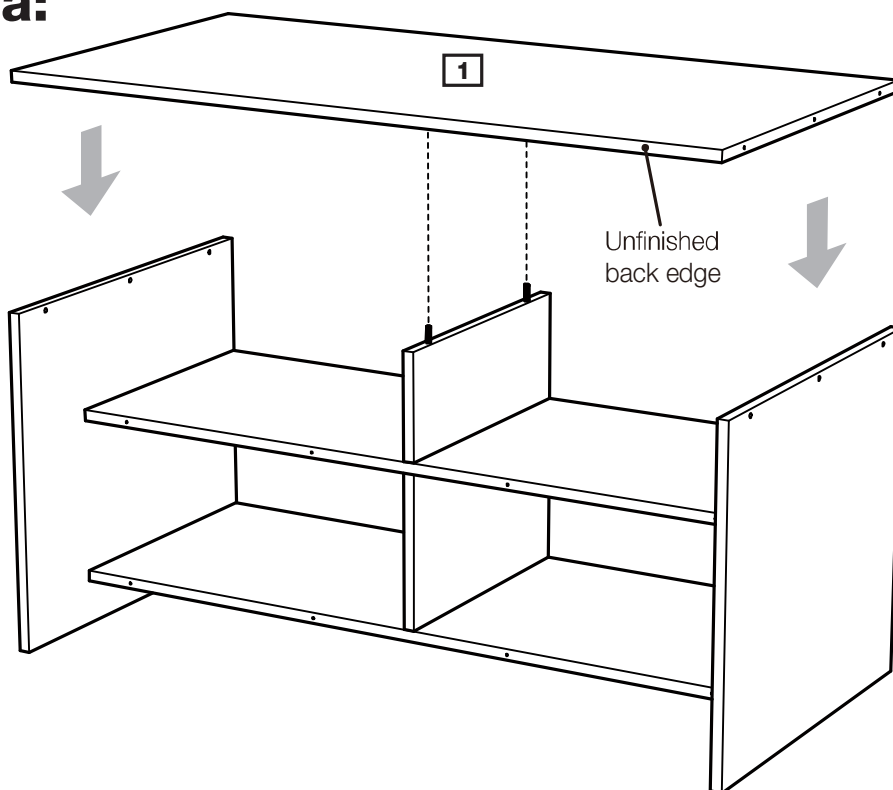
Warning:

The TV unit is heavy.

Lift with care.

Position the Top panel **1** onto the unit.

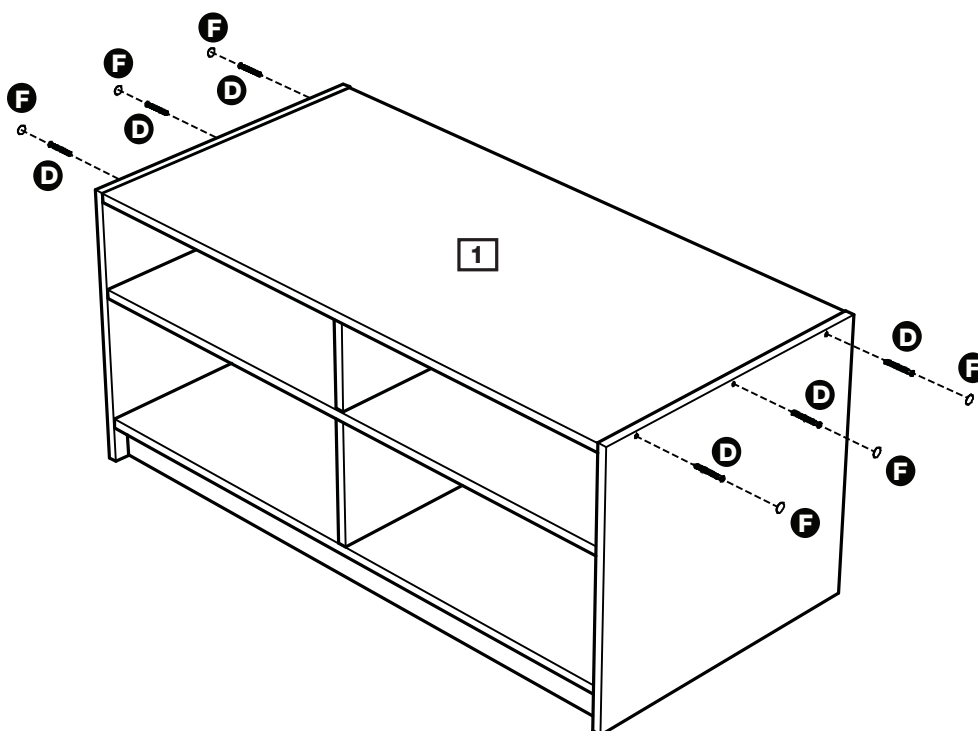
a:



b: Use Screws **D** to fix Top panel **1** onto the unit.

Use Screw covers **F** to cover the screw heads.

b:

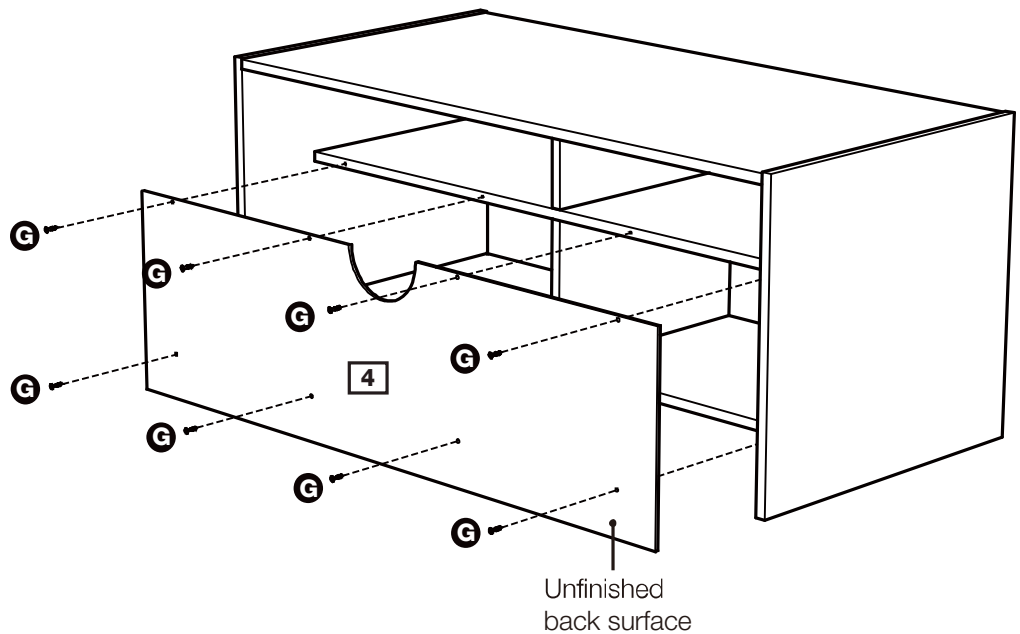


Assembly Instructions

Step 6

Fixing back panel

Use Screws **G** to fix the Back panel **4** onto the unit.

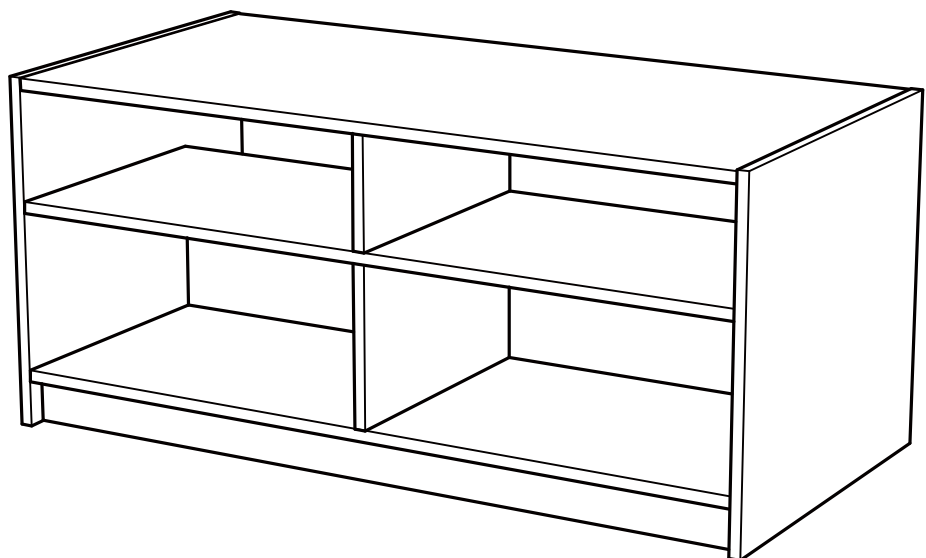


Step 7

Finishing the unit

Note: It would be useful to ask someone to help you at the stage.

With help, place the unit in the intended position.



Assembly is complete.

If you need help or have damaged or missing parts, call the **Customer Helpline:**
Argos = 0345 6400800