

Half Width Tall Extra Deep Bookcase

Assembly Instructions - Please keep for future reference

609/2201

609/2218

609/2225

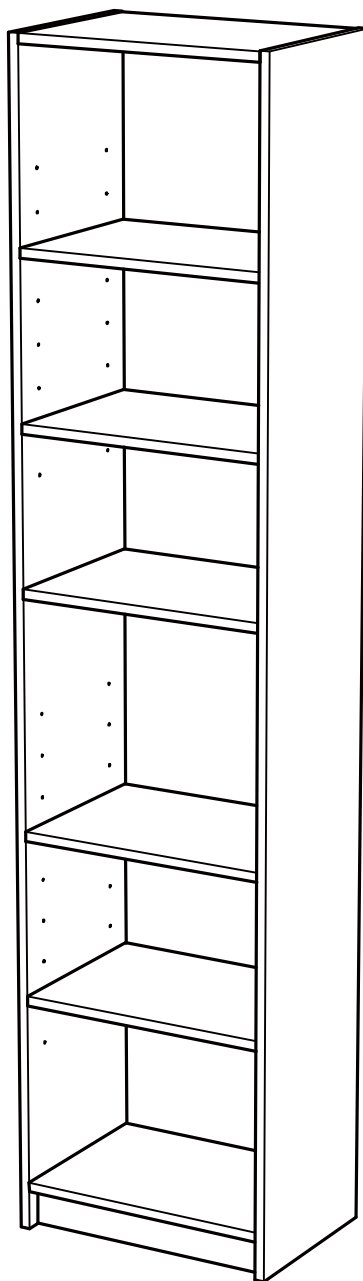
609/2232

609/2249

609/3509

609/3547

321/3306



Dimensions

Width - 42cm

Depth - 29cm

Height - 180cm

Important - Please read these instructions fully before starting assembly

If you need help or have damaged or missing parts, call the **Customer Helpline:**
Argos = 0345 6400800



Safety and Care Advice

Important – Please read these instructions fully before starting assembly

- Check you have all the components and tools listed on the following pages.
- Remove all fittings from the plastic bags and separate them into their groups.
- Keep children and animals away from the work area, small parts could choke if swallowed.
- Make sure you have enough space to layout the parts before starting.

- During assembly do not stand or put weight on the product, this could cause damage.
- Assemble the item as close to its final position (in the same room) as possible.
- Assemble on a soft level surface to avoid damaging the unit or your floor.
- Parts of the assembly will be easier with 2 people.



- To reduce the likelihood of damaging your product please ensure that your power drill is set on a low torque setting.

Care and maintenance

- Only clean using a damp cloth and mild detergent, do not use bleach or abrasive cleaners.
- From time to time check that there are no loose screws on this unit.
- This product should not be discarded with household waste. Take to your local authority waste disposal centre.

Handy Hints

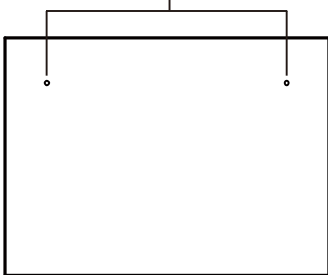
- Assemble all parts and bolts loosely during assembly, only once the product is complete should you fully tighten the bolts
- Regularly check and ensure that all bolts and fittings are tightened properly.

Components - Panels

If you have damaged or missing components, call the
Customer Helpline: Argos = 0345 6400800

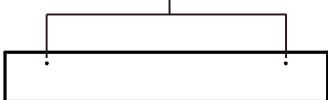
Please check you have all the panels listed below

Pilot holes for guidance only

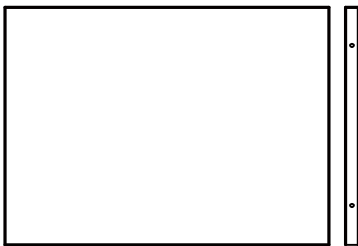


1 Bottom panel
(38.9 x 28.4cm)

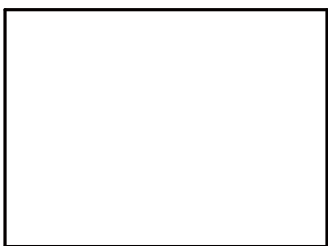
Pilot holes for guidance only



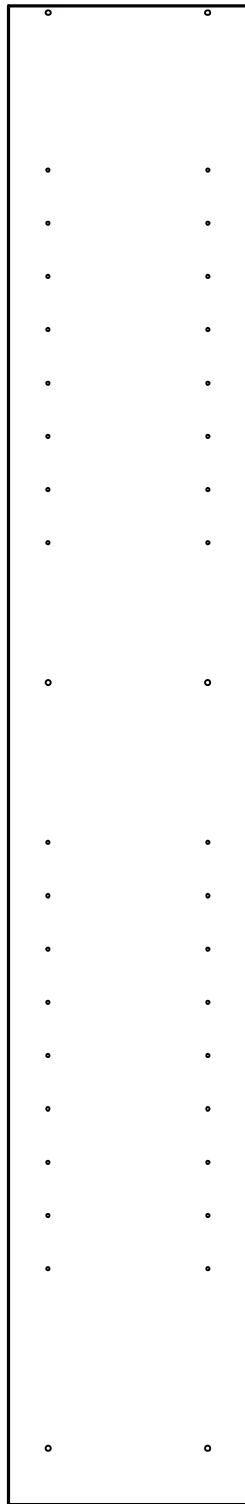
2 Front panel
(38.9 x 5.9cm)



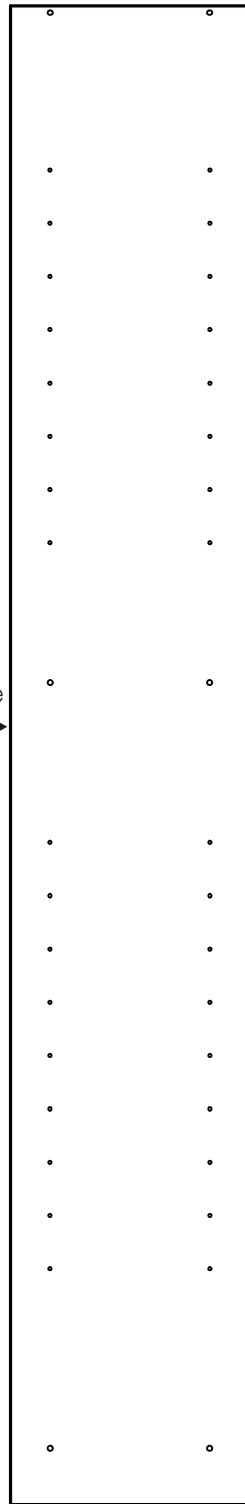
3 Fixed panel x 2
(38.9 x 28.4cm)



4 Removable panel x 4
(38.9 x 28.4cm)

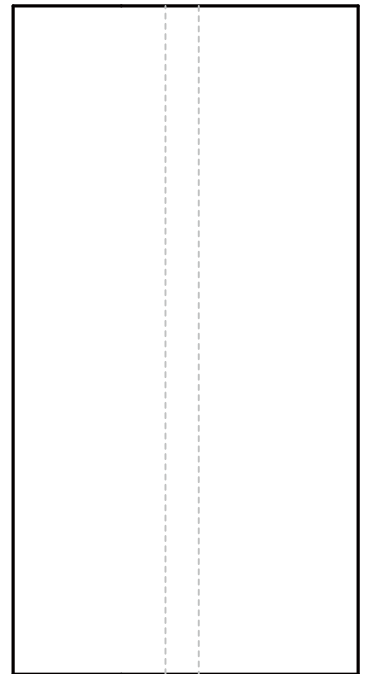


5 Left side panel
(28.6 x 180cm)

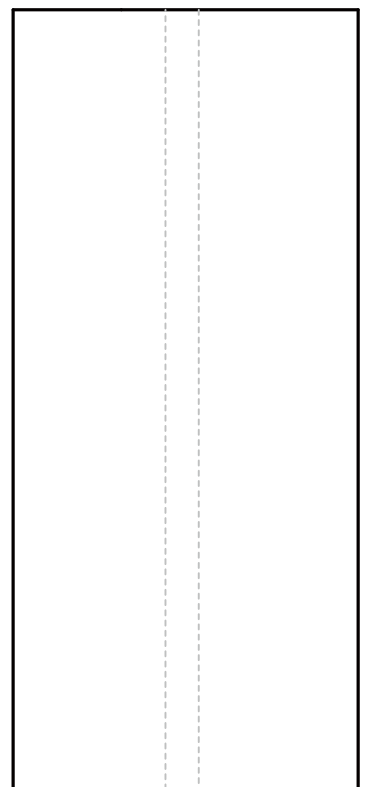


6 Right side panel
(28.6 x 180cm)

Unfinished
back edge



7 Top back panel
(41.4 x 79.8cm)






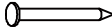








8 Bottom back panel
(41.4 x 93.6cm)

Components - Fittings

Please check you have all the fittings listed below

Note: The quantities below are the correct amount to complete the assembly. in some cases more fittings may be supplied than are required.

A  Plastic support x 2	B  14mm Screw x 7	C  50mm Screw x 12
D  Shelf support x 16	E  Support cover x 16	F  Nail x 22
G  (This screw is included in the bag of wall strap) Wall strap x 1  x 1	H  Screw cover x 12	I  Upper corner support bracket x 1
J  Bottom corner support bracket x 1	K  Wall plug x 1	

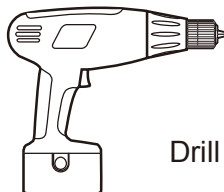
Tools required



Phillips screwdriver (medium & large)



7mm Suitable drill bit (for use with wall plug)



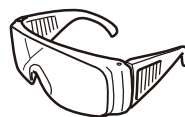
Drill



Small hammer

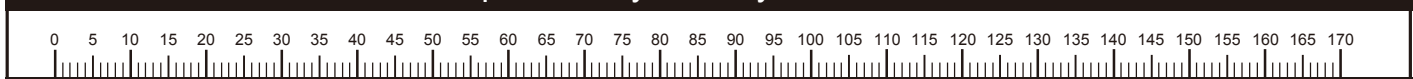


Ruler/tape measure



Eye protection (when using a hammer or glue)

Ruler - Use this ruler to help correctly identify the screws



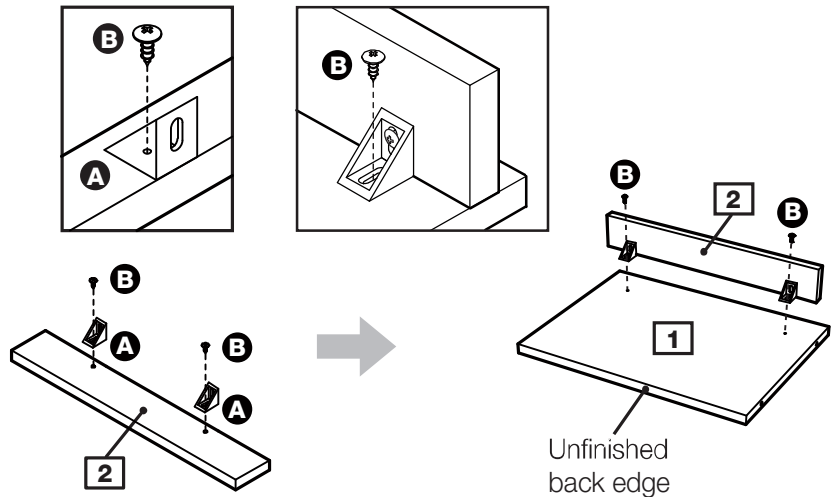
The screws length is measured from the head to the point (30mm screw shown).

Assembly Instructions

Step 1

Attaching bottom panel

Use Plastic supports **A** and Screws **B** to fix the Front panel **2** onto the Bottom panel **1**.

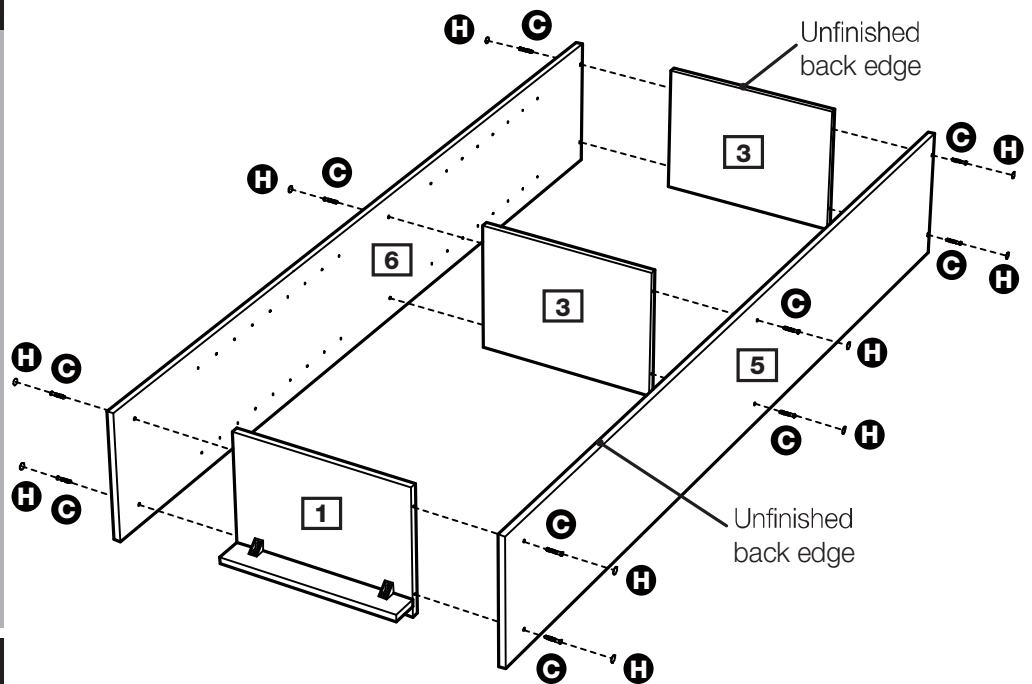


Step 2

Attaching side panels

Use Screws **C** to fix the Left side panel **5** and Right side panel **6** onto the Bottom panel **1** and Fixed panels **3**.

Use Screw covers **H** to cover the screw heads.



Step 3

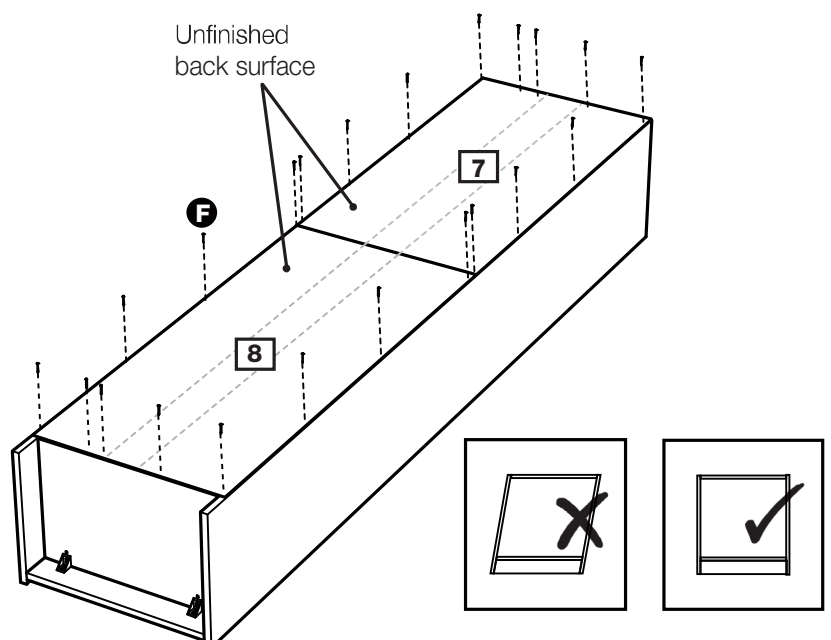
Fixing back panels

Attach Top back panel **7** and Bottom back panel **8** onto the unit using Nails **F**.



Important:

The unit **MUST** be 'square' when back is attached.



Assembly Instructions

Step 4

Attaching removable panels

With help, carefully stand bookcase upright.



Warning:

The bookcase is heavy.

Lift with care.

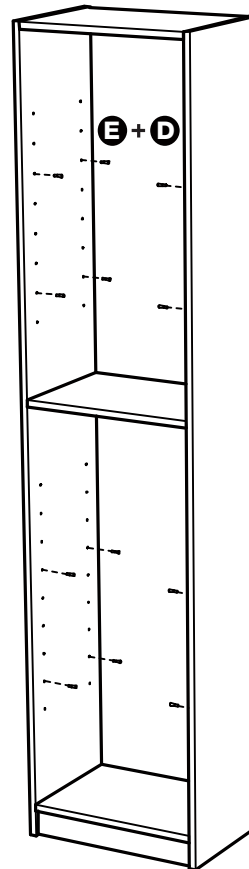
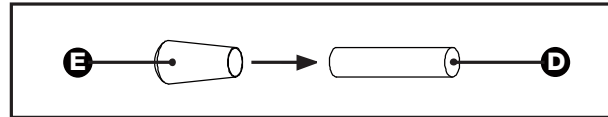
a: Slide Support covers **E** onto Shelf supports **D**.

Insert Shelf supports **D** (Support covers **E** are included) into the unit. Ensure they are well fitted before inserting the removable panels.

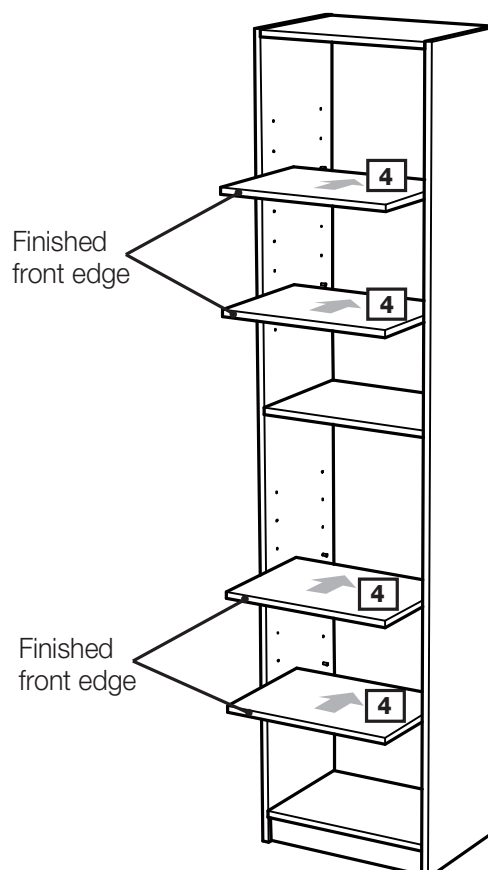
Note: Set the shelf supports to the desired height.

b: Slide the Removable panels **4** into the unit.

a:



b:



Assembly Instructions

Step 5

Fixing to wall

It is recommended that the bookcase is fixed to a wall.

Use Screw **B** to fix the Wall strap **G** onto the back of the Top panel.

With help, move bookcase into position.



Warning:

The bookcase is heavy.

Lift with care.

Mark fixing hole on wall and remove bookcase.

Drill a hole and insert Wall plug **K**.

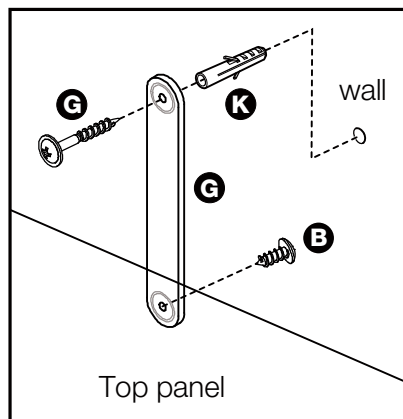


Warning:

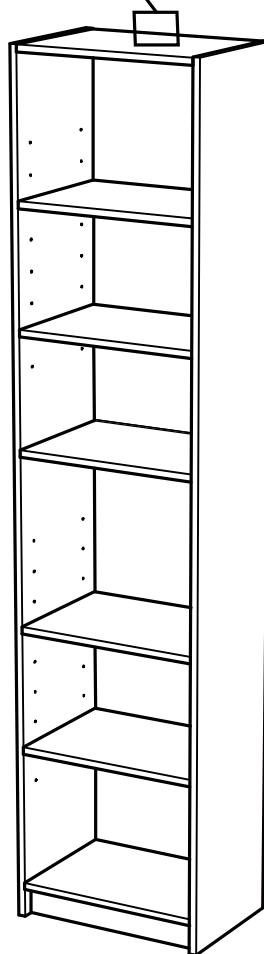
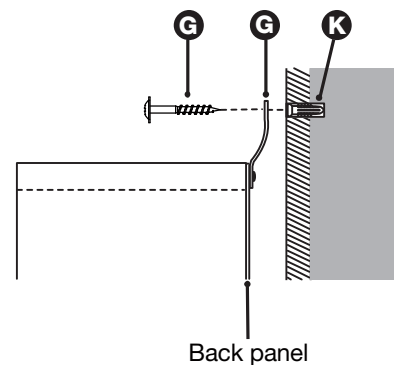
Before drilling, check wall for hidden pipes and cables.

Reposition bookcase and fix wall strap using Screw **G**.

G.



Note: Wall plugs supplied are for solid wall only.
The correct type of fixing must be used for your wall, seek professional advice if in doubt



Assembly Instructions

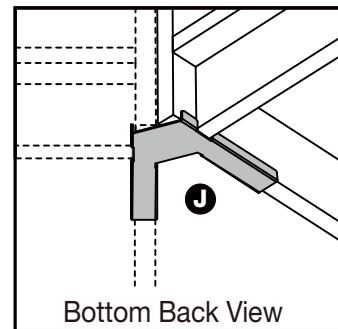
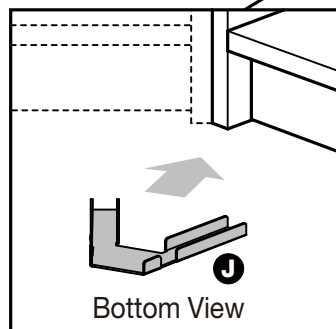
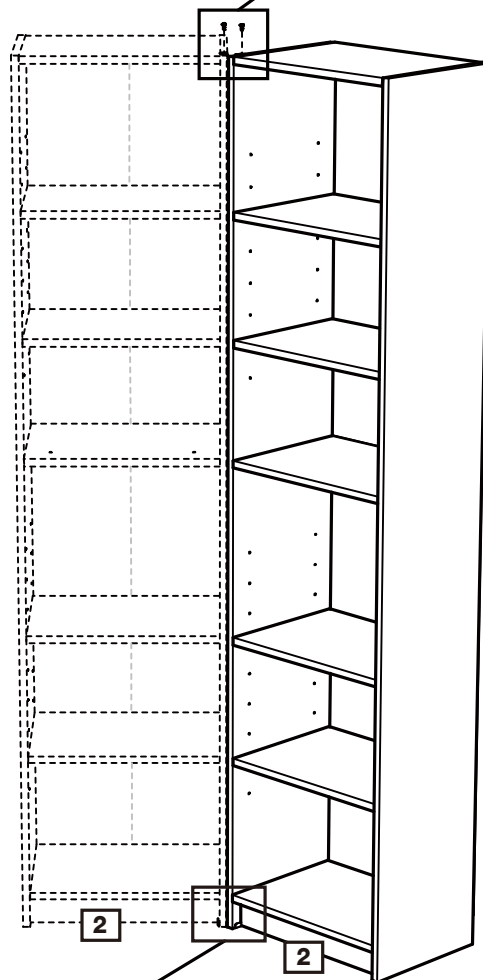
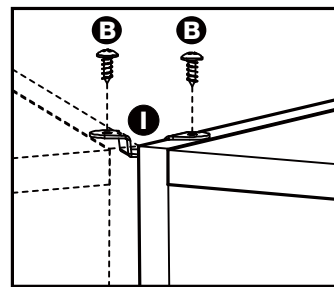
Step 6

Construct a corner configuration

Use Screws **B** to fix the Upper corner support bracket **I** onto the front top edge of side panel.

Fix the front bottom edge of side panel into the Bottom corner support bracket **J**.

Make sure the Front panel **2** is positioned in the gap of Bottom corner support bracket **J**.



Assembly is complete.

If you need help or have damaged or missing parts, call the **Customer Helpline:**
Argos = 0345 6400800

A Guide to - Wall Mounting & Fixings

Important note:

If plastic wall plugs are supplied with your product:



- these are only suitable for use in masonry walls.

If you are in any doubt about the correct wall plugs for your wall, seek professional advice.


Failure of the product due to using incorrect fixings is the responsibility of the installer.



Important: When drilling into walls always check that there are no hidden wires or pipes etc.

Make sure that the screws and wall plugs being used are suitable for supporting your unit. Consult a qualified tradesperson if you are unsure.

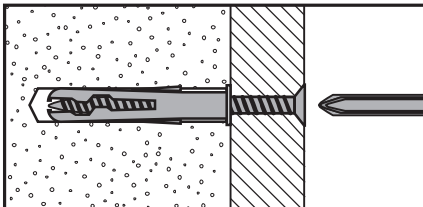
Hints:

- 1: General rule:**  Always use a larger screw and wall plug if you are not sure.
- 2:** Ensure you use the recommended drill bit to match the wall plug and hole size.
- 3:** Ensure you drill the hole horizontally, do not force the drill or enlarge the hole.
- 4:** Take extra care when drilling high walls, ceilings and ceramic tiles. Ensure wall plugs are inserted beyond the thickness of the ceramic tiles to avoid the tiles splitting or cracking.
- 5:** Ensure wall plugs are well fitted and are a tight fit in the drilled hole.

Types of walls

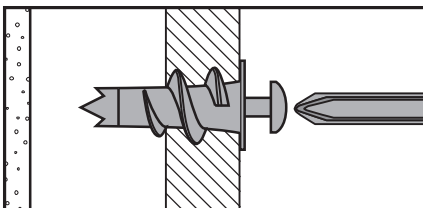
You can use one of the following types of wall plug if your walls are made of brick, breeze block, concrete, stone or wood.

No.1 "General Purpose" wall plug



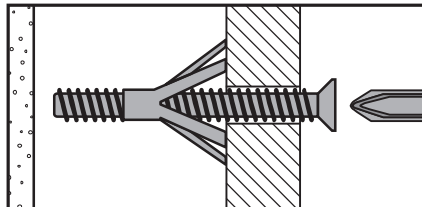
Generally aerated blocks should not be used to support heavy loads, use a specialist fitting in this case. For light loads, general purpose wall plugs can be used.

No.2 "Plasterboard" wall plug



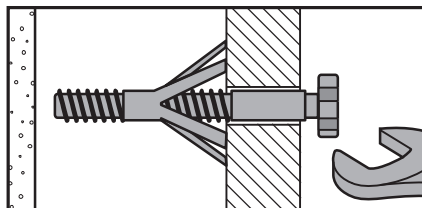
For use when attaching light loads on to plasterboard partitions.

No.3 "Cavity Fixing" wall plug



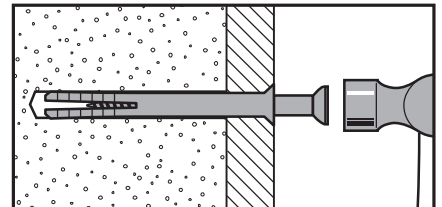
For use with plasterboard partitions or hollow wooden doors.

No.4 "Cavity Fixing-Heavy Duty" wall plug



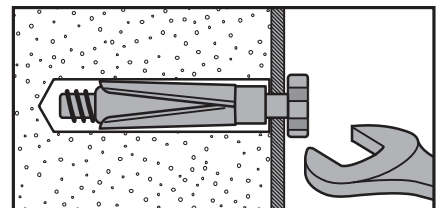
For use when fitting or supporting heavy loads such as shelving, wall cabinets and coat racks.

No.5 "Hammer Fixing" wall plug



For use with walls stuck with plasterboard. The hammer fixing allows it to be fixed to the wall rather than the plasterboard. Always check the fixing is secure to the retaining wall.

No.6 "Shield Anchor" wall plug Heavy loads



For use with heavier loads such as TV & HiFi speakers and satellite dishes etc.



Care & Maintenance

Safety: Always check the fitting and location to ensure your safety in and around the home.

Fitting: From time to time check the fitting to ensure the wall plugs or screws do not become loose.

Half Width Tall Extra Deep Bookcase

Assembly Instructions - Please keep for future reference

609/2201

609/2218

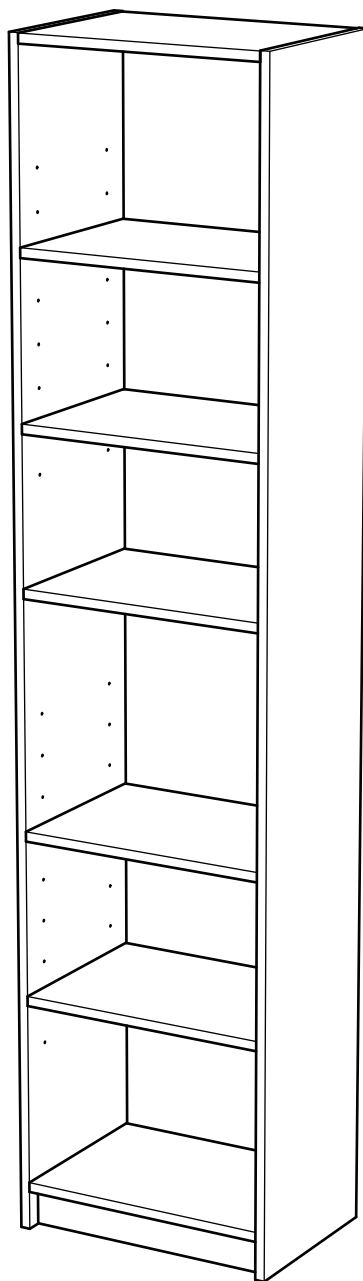
609/2225

609/2232

609/2249

609/3509

609/3547



Dimensions

Width - 42cm

Depth - 29.1cm

Height - 180.1cm

Important - Please read these instructions fully before starting assembly

If you need help or have damaged or missing parts, call the Customer Helpline: 08456 400800



Safety and Care Advice

Important - Please read these instructions fully before starting assembly

- Check you have all the components and tools listed on pages 2 and 3.
- Remove all fittings from the plastic bags and separate them into their groups.
- Keep children and animals away from the work area, small parts could choke if swallowed.
- Make sure you have enough space to layout the parts before starting.
- Do not use this item if any components are missing or damaged.

- Do not stand on the product, this could cause damage.
- Assemble the item as close to its final position (in the same room) as possible.
- Assemble on a soft level surface to avoid damaging the unit or your floor.
- Parts of the assembly will be easier with 2 people.



- We do not recommend the use of power drill/drivers **for inserting screws,**

as this could damage the unit. Only use hand screwdrivers.

- Dispose of all packaging carefully and responsibly.

Care and maintenance

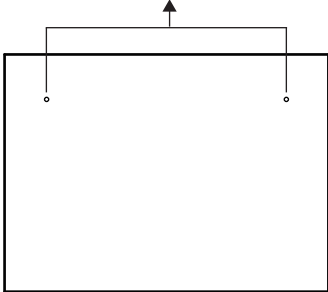
- Only clean using a damp cloth and mild detergent, do not use bleach or abrasive cleaners.
- From time to time check that there are no loose screws on this unit.
- This product should not be discarded with household waste. Take to your local authority waste disposal centre.

Components - Panels

If you have damaged or missing components, call the **Customer Helpline: 08456 400800**

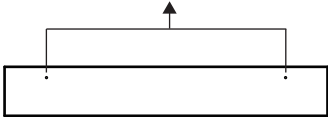
Please check you have all the panels listed below

Pilot holes for guidance only

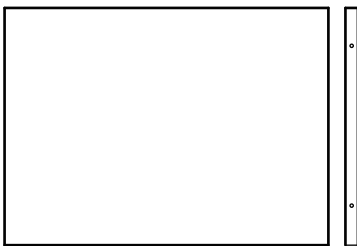


1 Bottom panel
(38.9 x 28.4cm)

Pilot holes for guidance only



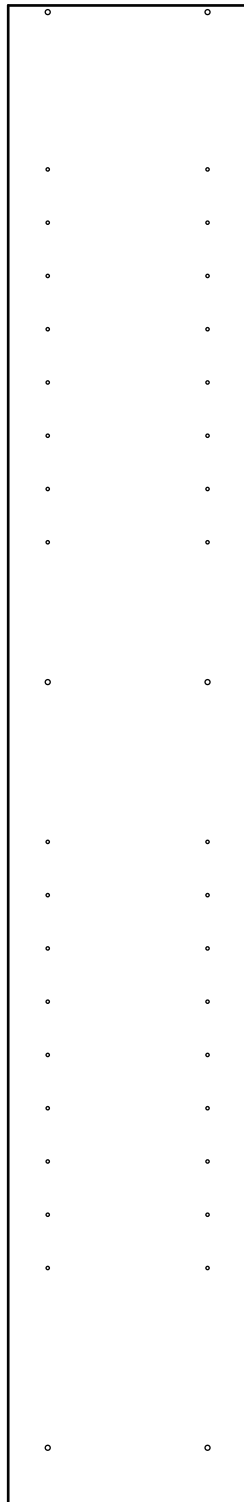
2 Front panel
(38.9 x 5.9cm)



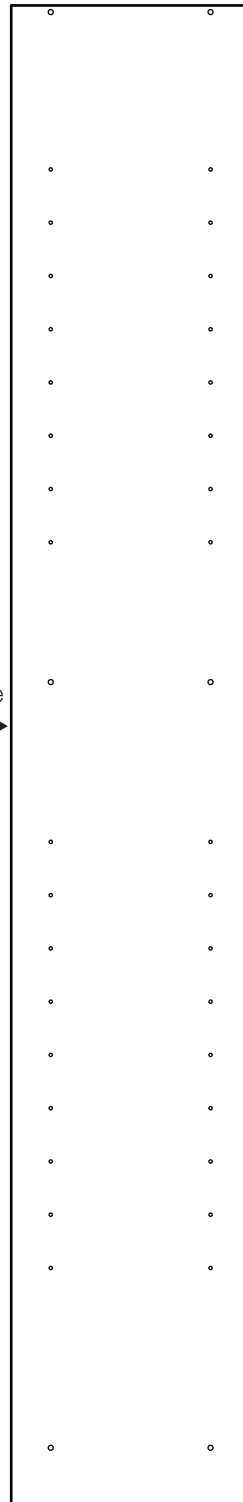
3 Fixed panel x 2
(38.9 x 28.4cm)



4 Removable panel x 4
(38.9 x 28.4cm)

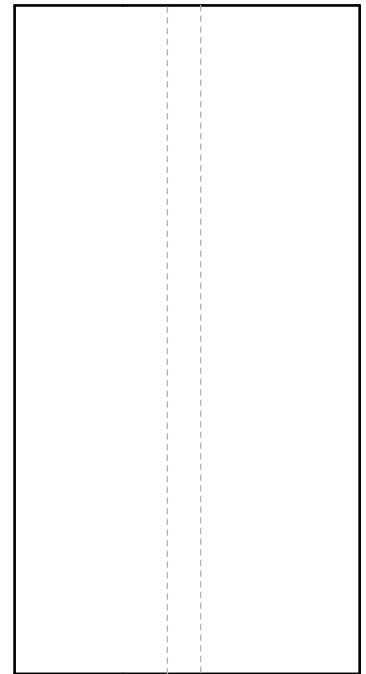


5 Left side panel
(28.6 x 180cm)

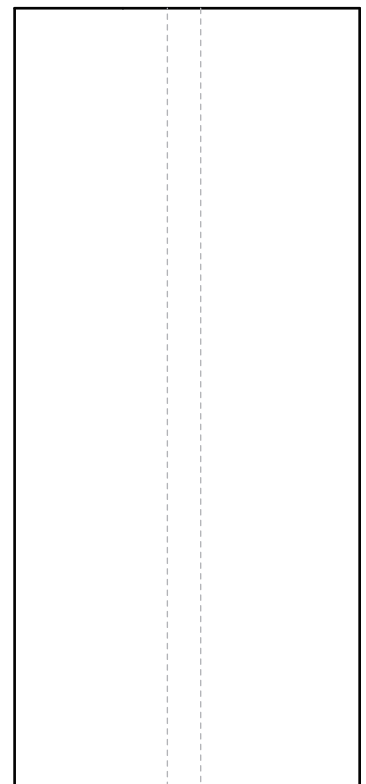


6 Right side panel
(28.6 x 180cm)

Unfinished back edge



7 Top back panel
(41.4 x 79.8cm)




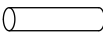

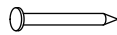

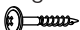


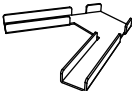
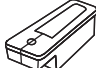



8 Bottom back panel
(41.4 x 93.6cm)

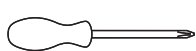
Components - Fittings

Please check you have all the fittings listed below

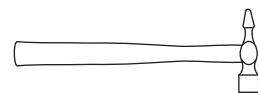
Note: The quantities below are the correct amount to complete the assembly. in some cases more fittings may be supplied than are required.

A  Plastic support x 2	B  14mm Screw x 7	C  50mm Screw x 12
D  Shelf support x 16	E  Support cover x 16	F  Nail x 22
G  (This screw is included in the bag of wall strap) Wall strap x 1  x 1	H  Screw cover x 12	I  Upper corner support bracket x 1
J  Bottom corner support bracket x 1	K  Nail guide x 1	L  Wall plug x 1

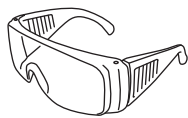
Tools required



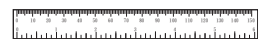
Phillips screwdriver
(medium & large)



Small
hammer

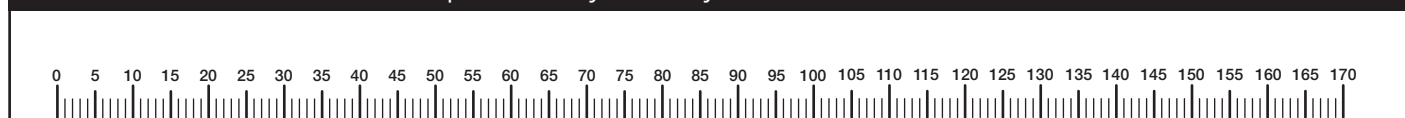


Eye protection
(when using a
hammer or glue)



Ruler/tape
measure

Ruler - Use this ruler to help correctly identify the screws

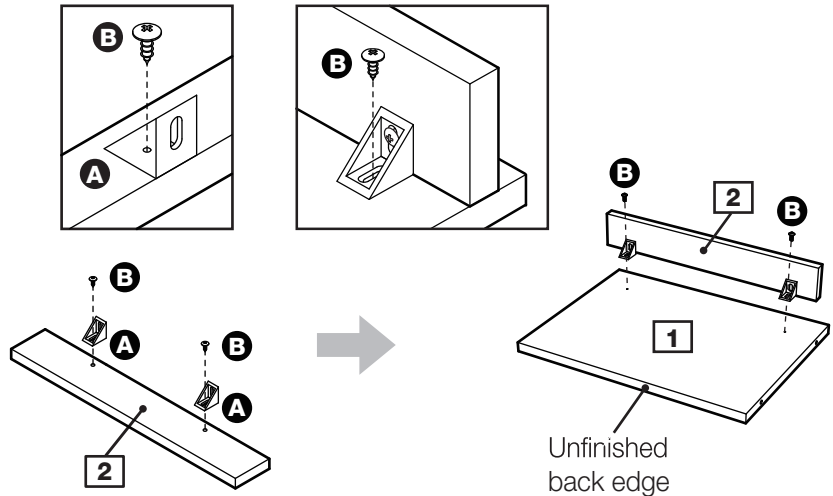


Assembly Instructions

Step 1

Attaching bottom panel

Use Plastic supports **A** and Screws **B** to fix the Front panel **2** onto the Bottom panel **1**.

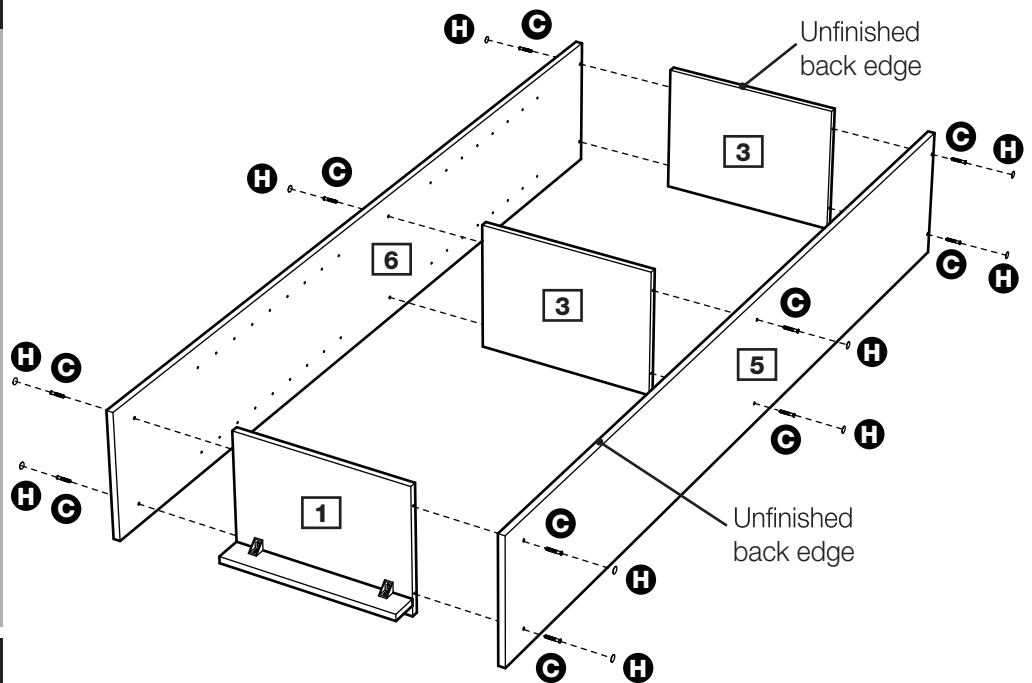


Step 2

Attaching side panels

Use Screws **C** to fix the Left side panel **5** and Right side panel **6** onto the Bottom panel **1** and Fixed panels **3**.

Use Screw covers **H** to cover the screw heads.



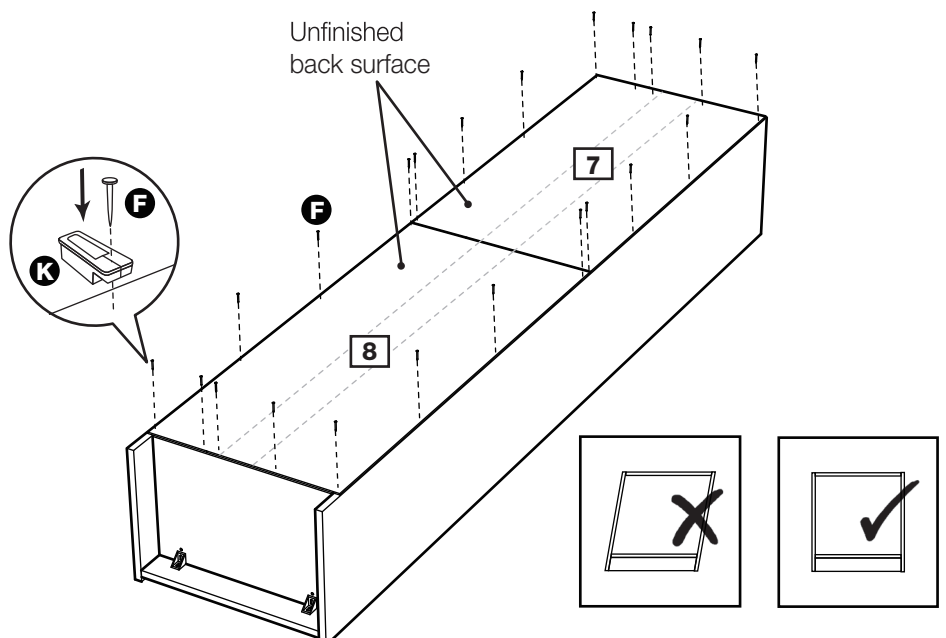
Step 3

Fixing back panels

Use the Nails **F** to fix the Back top panel **7** and Back bottom panel **8** onto the unit.

Note: Use Nail guide **K** to keep a constant distance from the edge to Nails.

Important: The cabinet **MUST** be 'square' when the back is attached.



Assembly Instructions

Step 4

Attaching removable panels

With help, carefully stand bookcase upright.



Warning:

The bookcase is heavy.
Lift with care.

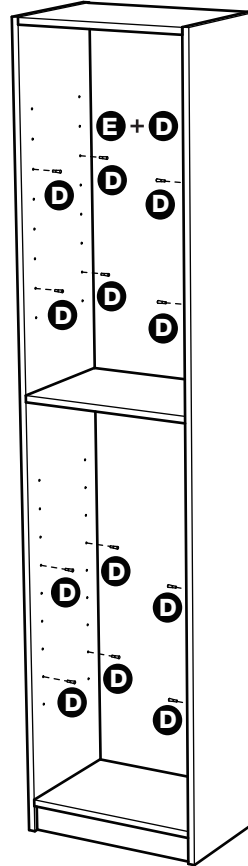
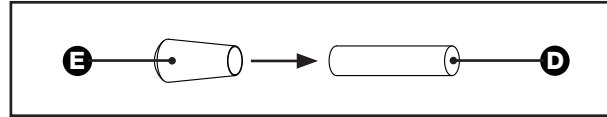
a: Slide Support covers **E** onto Shelf supports **D**.

Insert Shelf supports **D** (Support covers **E** are included) into the unit. Ensure they are well fitted before inserting the removable panels.

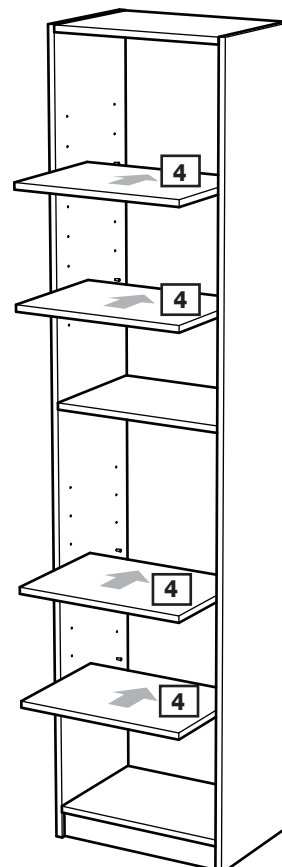
Note: Set the shelf supports to the desired height.

b: Slide the Removable panels **4** into the unit.

a:



b:



Assembly Instructions

Step 5

Fixing to wall

It is recommended that the bookcase is fixed to a wall.

Use Screw **B** to fix the Wall strap **G** onto the back of the Top panel.

With help, move bookcase into position.



Warning:

The bookcase is heavy.

Lift with care.

Mark fixing hole on wall and remove bookcase.

Drill a hole and insert Wall plug **L**.

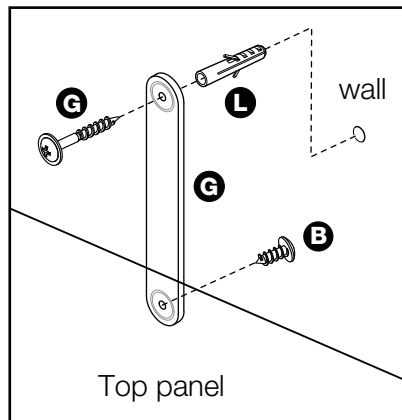


Warning:

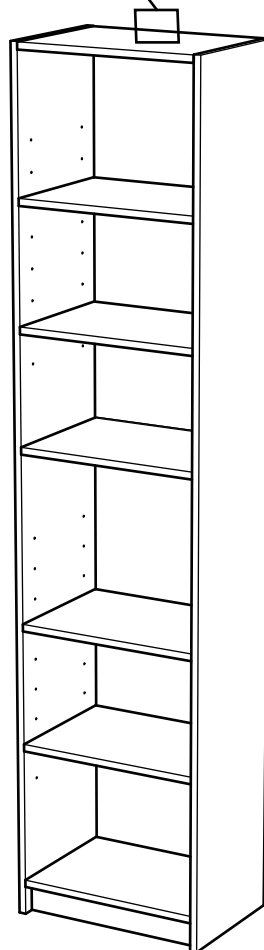
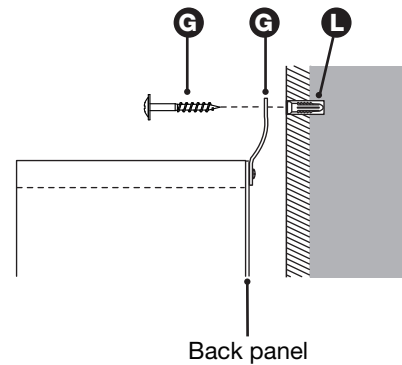
Before drilling, check wall for hidden pipes and cables.

Reposition bookcase and fix wall strap using Screw **G**.

G.



Note: Wall plugs supplied are for solid wall only.
The correct type of fixing must be used for your wall, seek professional advice if in doubt



Assembly Instructions

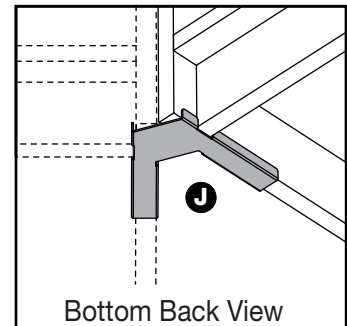
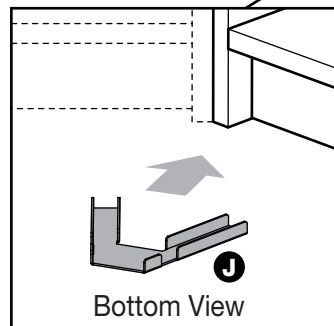
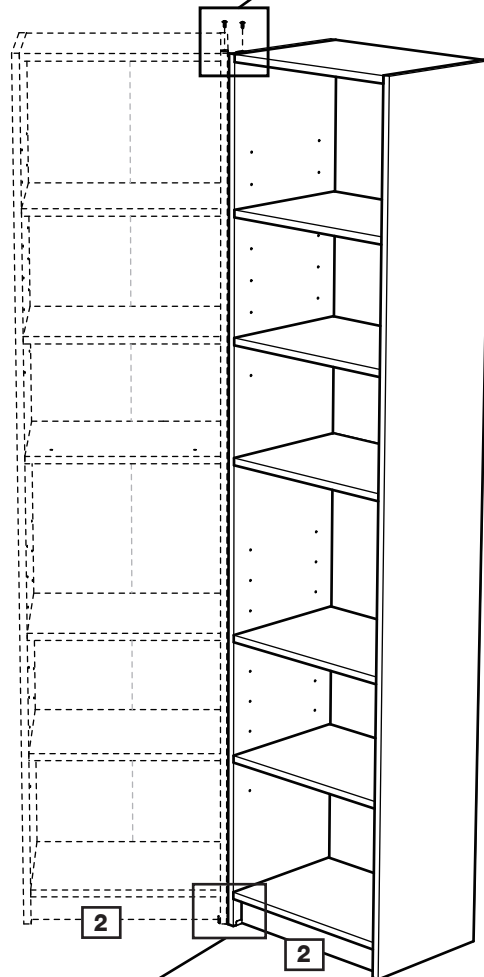
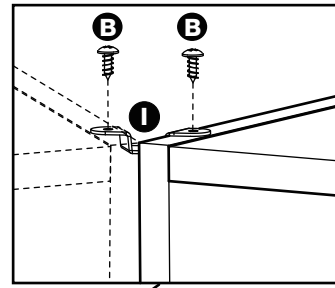
Step 6

Construct a corner configuration

Use Screws **B** to fix the Upper corner support bracket **I** onto the front top edge of side panel.

Fix the front bottom edge of side panel into the Bottom corner support bracket **J**.

Make sure the Front panel **2** is positioned in the gap of Bottom corner support bracket **J**.



Assembly is complete.

If you need help or have damaged or missing parts, call the **Customer Helpline: 08456 400800**

A Guide to - Wall Mounting & Fixings

Important note:

If plastic wall plugs are supplied with your product:



- these are only suitable for use in masonry walls.

If you are in any doubt about the correct wall plugs for your wall, seek professional advice.


Failure of the product due to using incorrect fixings is the responsibility of the installer.



Important: When drilling into walls always check that there are no hidden wires or pipes etc.

Make sure that the screws and wall plugs being used are suitable for supporting your unit. Consult a qualified tradesperson if you are unsure.

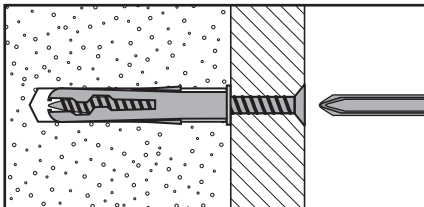
Hints:

- 1: General rule:**  Always use a larger screw and wall plug if you are not sure.
- 2:** Ensure you use the recommended drill bit to match the wall plug and hole size.
- 3:** Ensure you drill the hole horizontally, do not force the drill or enlarge the hole.
- 4:** Take extra care when drilling high walls, ceilings and ceramic tiles. Ensure wall plugs are inserted beyond the thickness of the ceramic tiles to avoid the tiles splitting or cracking.
- 5:** Ensure wall plugs are well fitted and are a tight fit in the drilled hole.

Types of walls

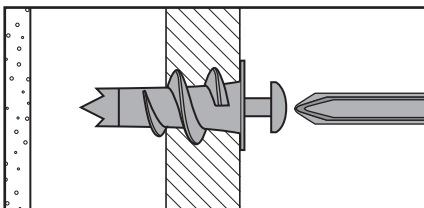
You can use one of the following types of wall plug if your walls are made of brick, breeze block, concrete, stone or wood.

No.1 "General Purpose" wall plug



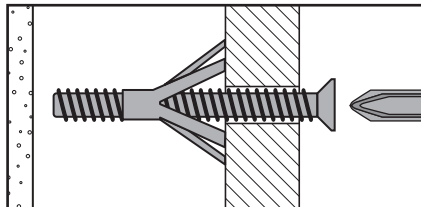
Generally aerated blocks should not be used to support heavy loads, use a specialist fitting in this case. For light loads, general purpose wall plugs can be used.

No.2 "Plasterboard" wall plug



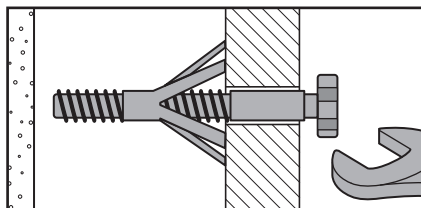
For use when attaching light loads on to plasterboard partitions.

No.3 "Cavity Fixing" wall plug



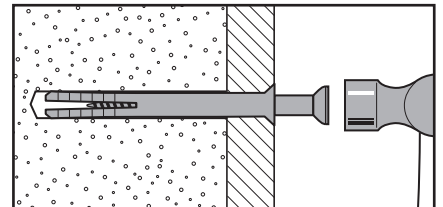
For use with plasterboard partitions or hollow wooden doors.

No.4 "Cavity Fixing-Heavy Duty" wall plug



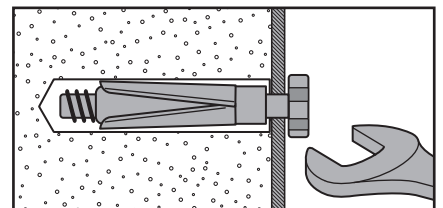
For use when fitting or supporting heavy loads such as shelving, wall cabinets and coat racks.

No.5 "Hammer Fixing" wall plug



For use with walls stuck with plasterboard. The hammer fixing allows it to be fixed to the wall rather than the plasterboard. Always check the fixing is secure to the retaining wall.

No.6 "Shield Anchor" wall plug Heavy loads



For use with heavier loads such as TV & HiFi speakers and satellite dishes etc.



Care & Maintenance

Safety: Always check the fitting and location to ensure your safety in and around the home.

Fitting: From time to time check the fitting to ensure the wall plugs or screws do not become loose.