

Large TV Stand

Assembly Instructions - Please keep for future reference

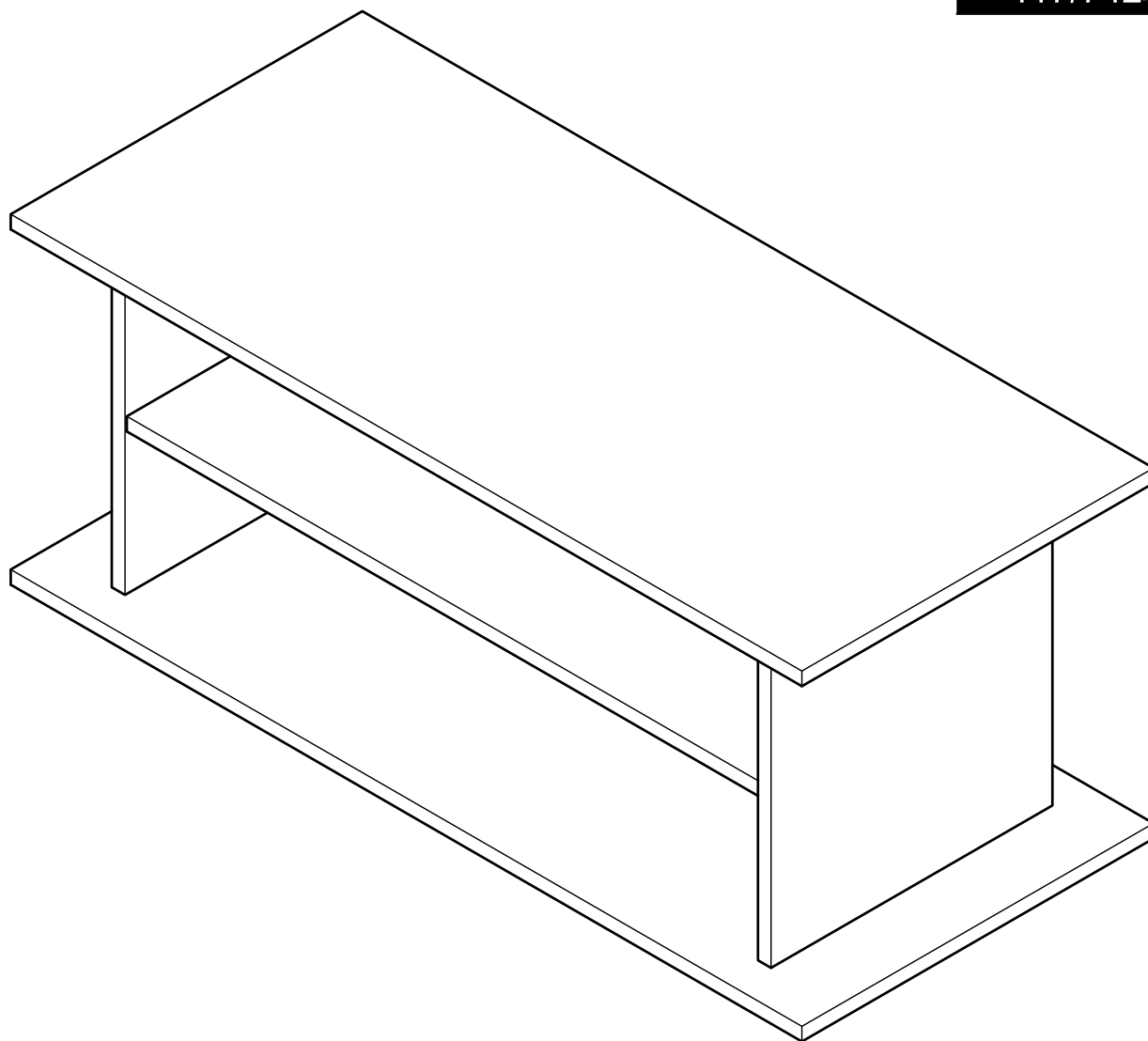
609/1886

609/2689

609/3695

609/6276

417/7427



Dimensions

Width - 90cm

Depth - 40cm

Height - 38cm

Important - Please read these instructions fully before starting assembly

If you need help or have damaged or missing parts, call the **Customer Helpline: 0345 640 0800**



Safety and Care Advice

Important - Please read these instructions fully before starting assembly

- Check you have all the components and tools listed on page 2 and 3.
- Remove all fittings from the plastic bags and separate them into their groups.
- Keep children and animals away from the work area, small parts could choke if swallowed.
- Make sure you have enough space to layout the parts before starting.

- Do not stand or put weight on the panels during assembly, this could cause damage.
- Assemble the item as close to its final position (in the same room) as possible.
- Assemble on a soft level surface to avoid damaging the unit or your floor.
- Parts of the assembly will be easier with 2 people.



- We do not recommend the use of power drill/driver **for inserting screws**, as this could damage the unit. Only use hand screwdrivers.
- Dispose of all packaging carefully and responsibly.

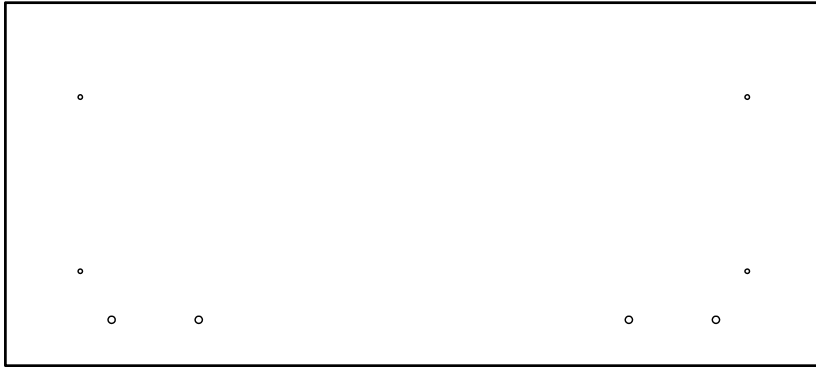
Care and maintenance

- Only clean using a damp cloth and mild detergent, do not use bleach or abrasive cleaners.
- From time to time check that there are no loose screws on this unit.
- This product should not be discarded with household waste. Take to your local authority waste disposal centre.

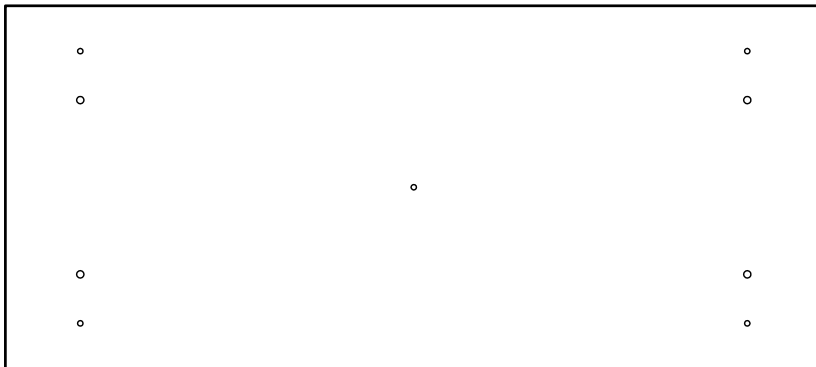
Note: If required the next page can be cut out and used as reference throughout the assembly. Keep this page with these instructions for future reference.

Components - Panels

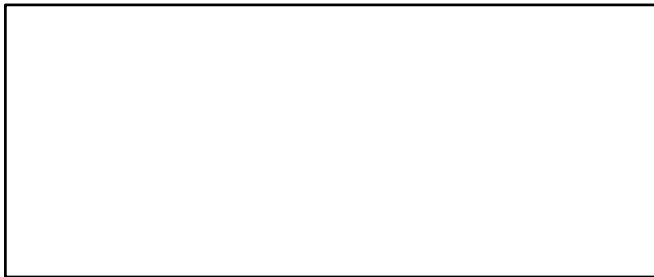
Please check you have all the panels listed below



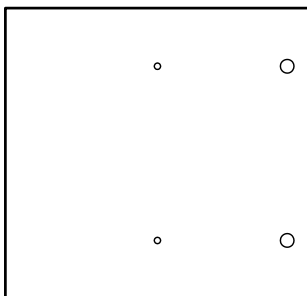
1 Table top (90 x 40cm)



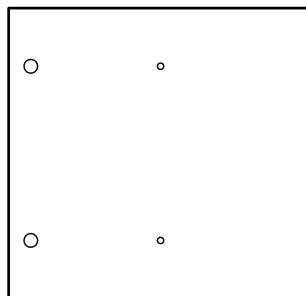
2 Bottom (90 x 40cm)



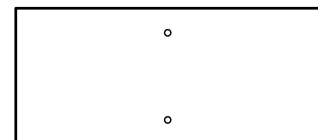
3 Shelf (72 x 30cm)



4 Left side (33.5 x 32cm)



5 Right side (33.5 x 32cm)



6 Back support x 2 (33.5 x 15cm)



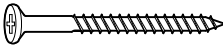
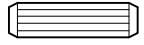
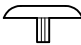
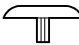




Components - Fittings

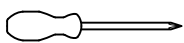
If you have damaged or missing components, call the **Customer Helpline: 0345 640 0800**

Please check you have all the fittings listed below

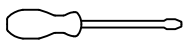
Note: The quantities below are the correct amount to complete the assembly. In some cases more fittings may be supplied than are required.

A  Locking pin x 4	B  Locking nut x 4	C  57mm Screw x 12
D  Dowel x 8	E  16mm Plastic plug x 4	F  13mm Plastic plug x 4
G  17mm Screw x 5	H  Foot x 5	

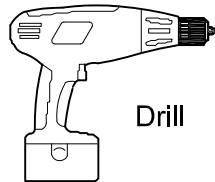
Tools required



Phillips screwdriver
(medium & large)

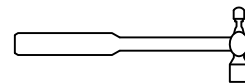


Flatblade screwdriver
(medium)



Drill

7mm Masonry drill bit
(for use with wall plug)



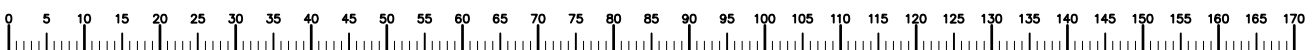
Small
hammer



Ruler/tape
measure

Eye protection
(when using a
hammer or glue)

Ruler - Use this ruler to help correctly identify the screws



Assembly Instructions

Step 1

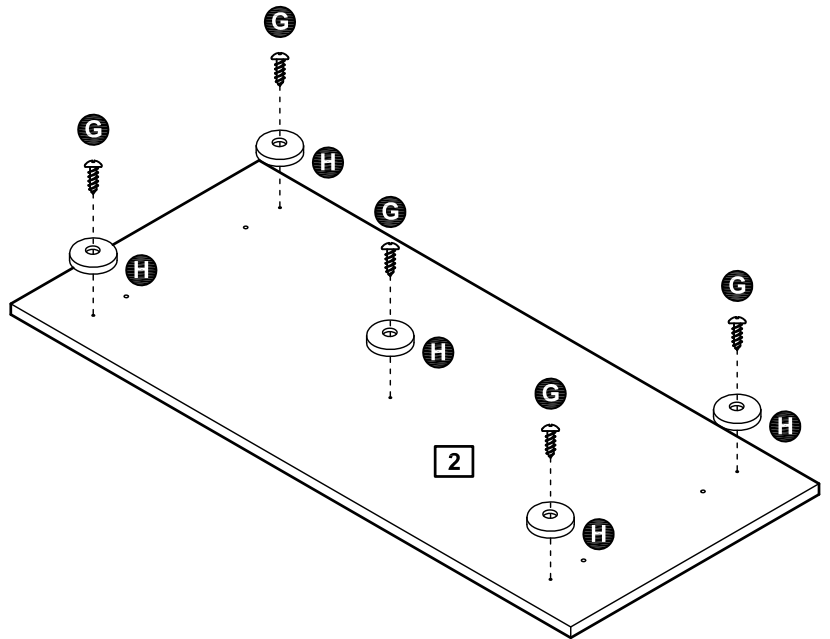
Fitting the bottom panel

a: Use screws **G** to fix feet **H** onto bottom panel **2**.

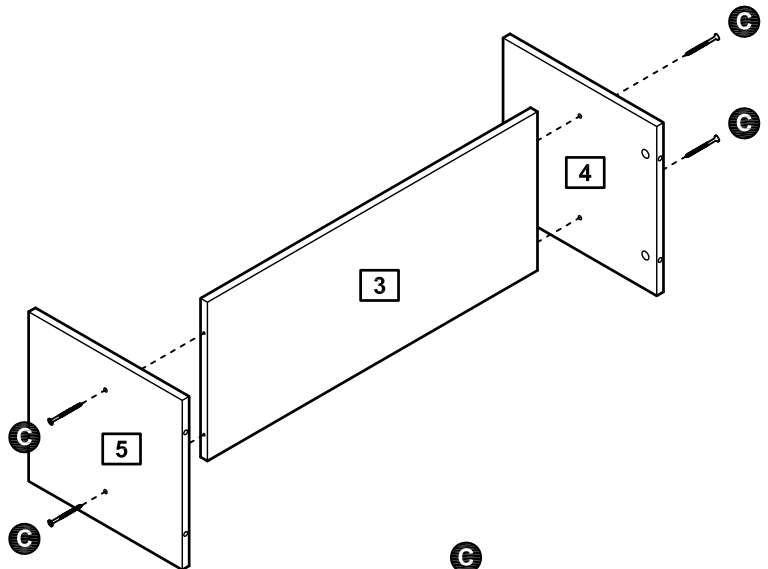
b: Use screws **C** to fix left side panel **4** and right side panel **5** onto shelf **3**.

c: Use screws **C** to fix bottom panel **2** onto the unit.

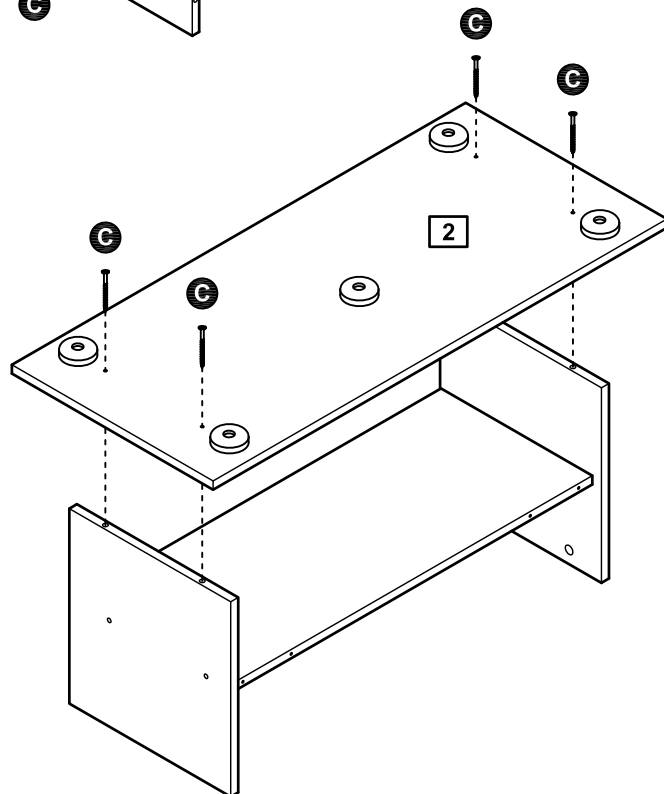
a:



b:



c:

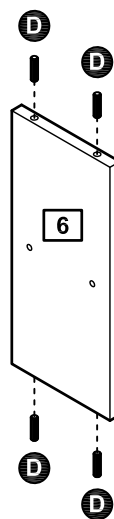


Assembly Instructions

Step 2

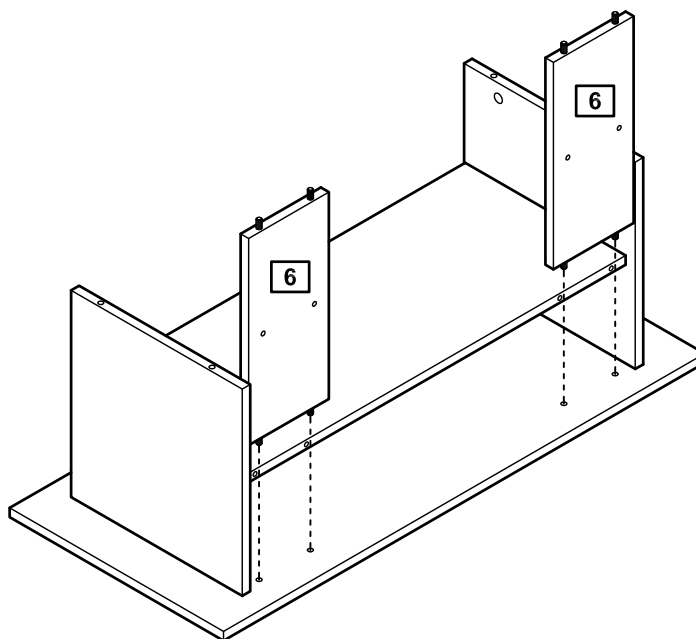
Fitting the back supports

a: Insert dowels **D** into back supports **6**.



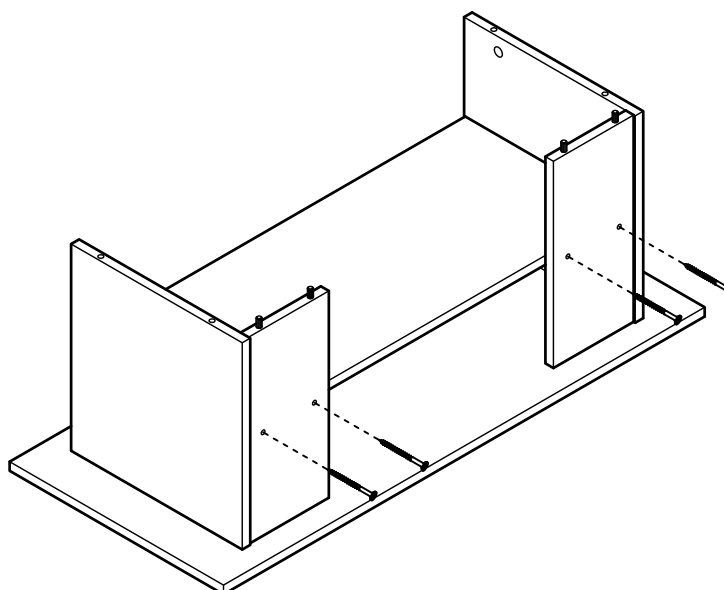
b: Fit back supports **6** into the unit.

b:



c: Use screws **C** to fix back supports **6** into the unit.

c:

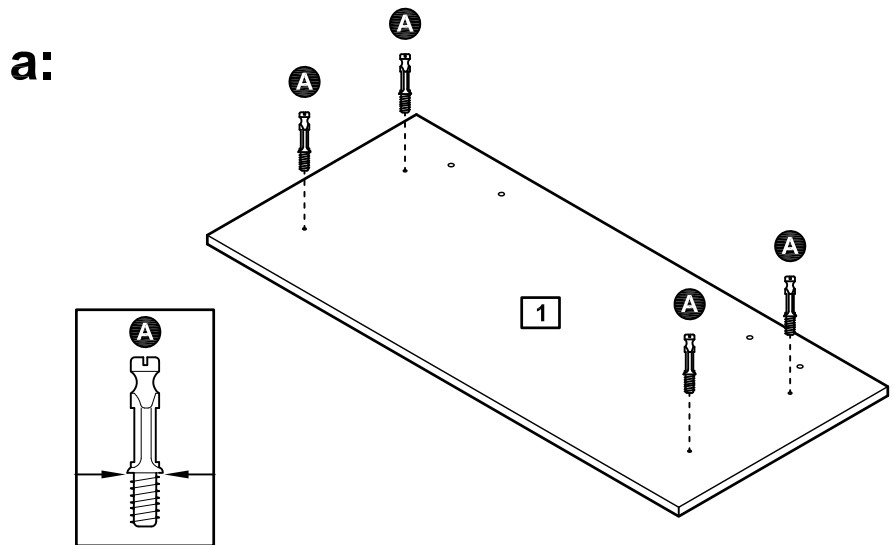


Assembly Instructions

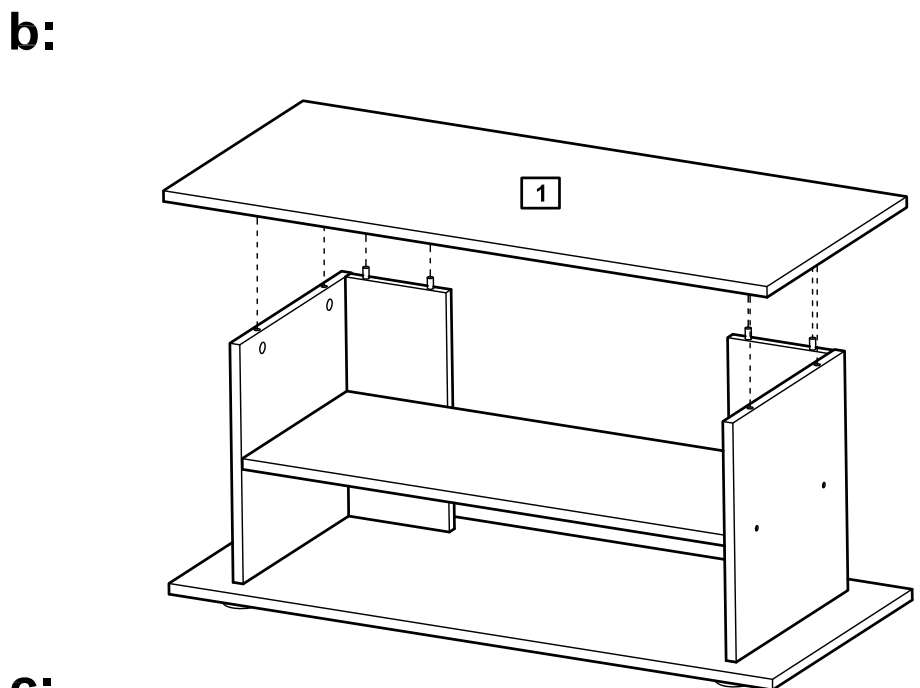
Step 3

Fitting the table top

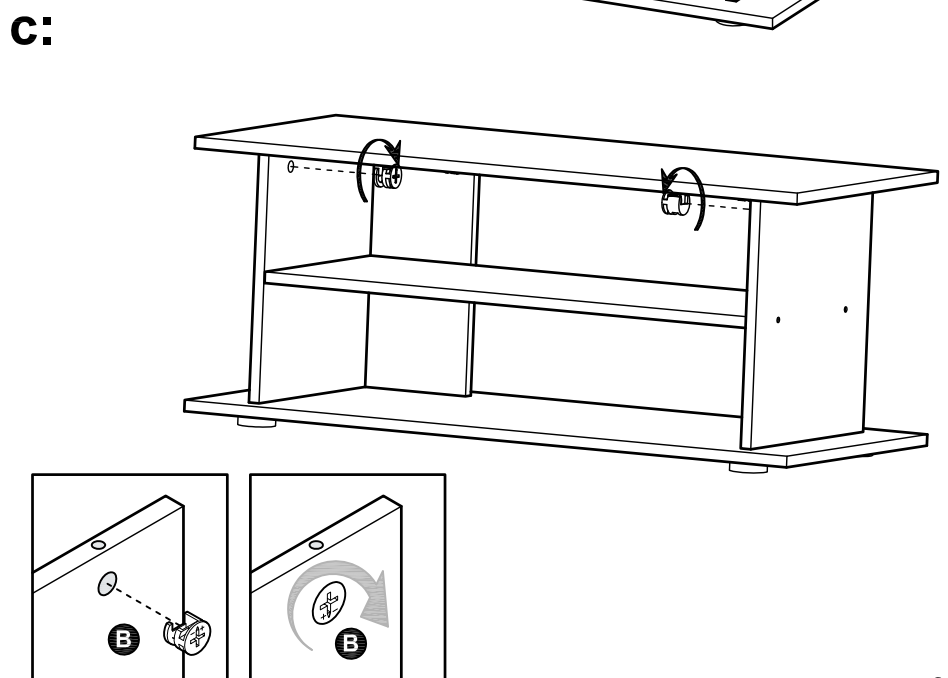
a: Screw locking pins **A** into table top **1**. Insert locking pins as far as shown.



b: Carefully place the table top **1** onto the unit.



c: Insert locking nuts **B** into left side panel **4** and right side panel **5**, then use a screwdriver to turn locking nuts **B** clockwise to lock.



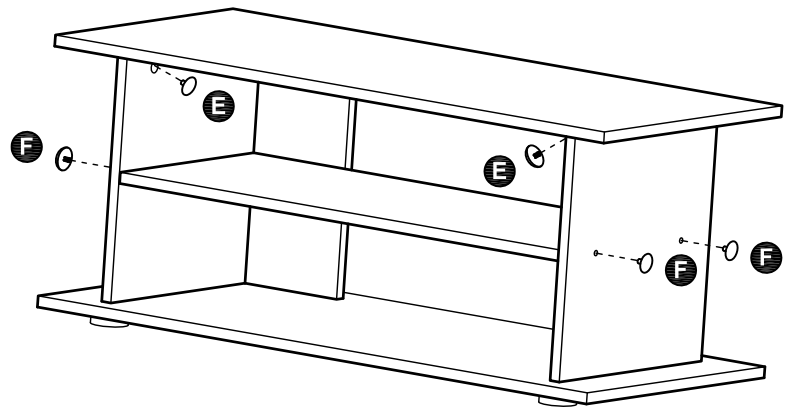
Assembly Instructions

Step 4

Finish the unit

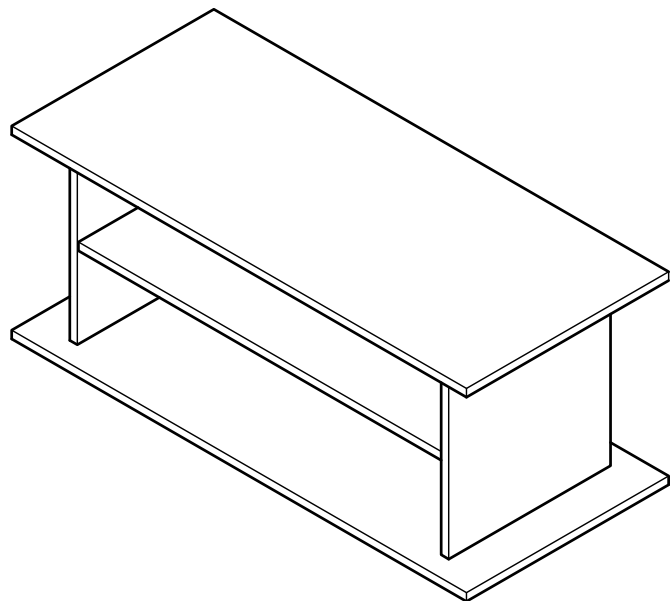
a: Use plastic plugs **E** and **F** to cover the screw headings.

a:



b: With help, place the unit in the intended position.

b:



Assembly is complete.

If you need help or have damaged or missing parts, call the **Customer Helpline: 0345 640 0800**