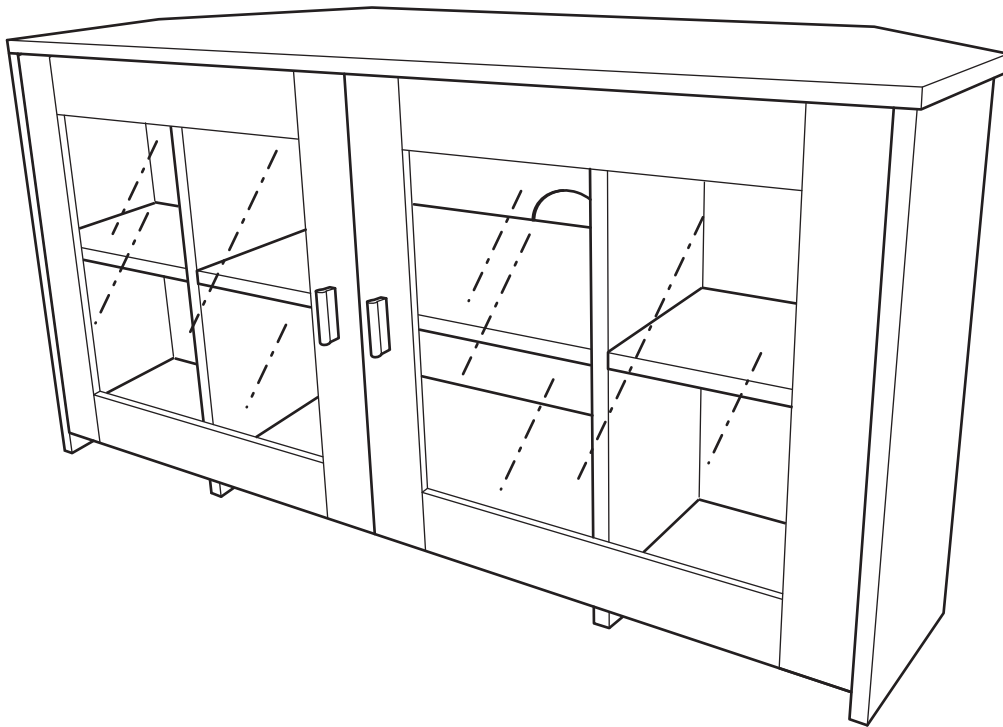


# Chequer Corner TV Unit

Assembly Instructions - Please keep for future reference

609/2452

609/2469



## Dimensions

Width - 100cm

Depth - 40.3cm

Height - 49.2cm

**Important** - Please read these instructions fully before starting assembly

If you need help or have damaged or missing parts, call the Customer Helpline: 08456 400800

# Safety and Care Advice

## Important - Please read these instructions fully before starting assembly

- Check you have all the components and tools listed on pages 2 and 3.
- Remove all fittings from the plastic bags and separate them into their groups.
- Keep children and animals away from the work area, small parts could choke if swallowed.
- Make sure you have enough space to layout the parts before starting.

- Do not stand on the product, this could cause damage.
- Assemble the item as close to its final position (in the same room) as possible.
- Assemble on a soft level surface to avoid damaging the unit or your floor.
- Parts of the assembly will be easier with 2 people.



- We do not recommend the use of power drill/drivers **for inserting screws**, as this could damage the unit. Only use hand screwdrivers.
- Dispose of all packaging carefully and responsibly.
- **Note:** Only apply the glue once you are sure of the assembly.

## Glue safety - Take care when using glue, please follow the advice below

**Skin contact:** Remove contamination by washing with soap and water. This procedure should also be followed prior to eating and drinking.

**Eye contact:** Rinse immediately with clean water for 15 minutes and seek medical advice.

**If swallowed:** Seek medical advice immediately.

## Care and maintenance

• Only clean using a damp cloth and mild detergent, do not use bleach or abrasive cleaners.

• From time to time check that there are no loose screws on this unit.

• This product should not be discarded with household. Take to your local authority disposal centre.

## Keep these instructions for future reference

- This product complies with BSEN14749:2005
- Model / Catalogue Number: 609/2452, 609/2469
- Retailer : Argos Ltd. MK9 2NW
- If a glass component is chipped or broken, stop using the product and consult the manufacturer or supplier.

### Warning

- Do not place very hot or very cold items against or in close proximity to glass surfaces unless an adequately thick insulating material is used to prevent such items from coming into contact with the glass.

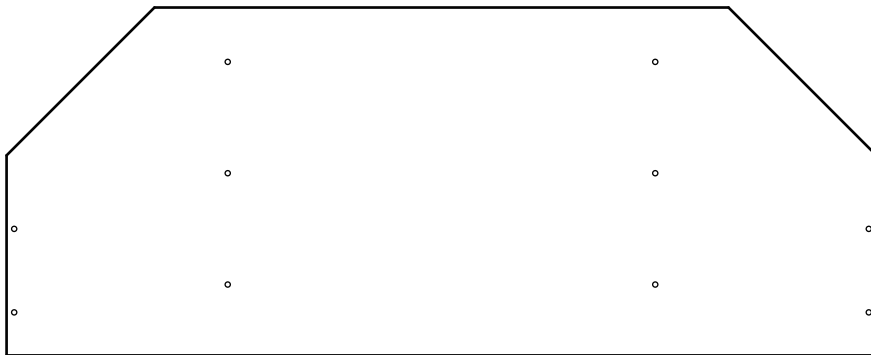
- Do not strike the glass with hard or pointed items.
- When cleaning glass panels use a damp cloth or leather with washing up liquid or soft if necessary; do not use washing powders or any other substances containing abrasives since these substances scratch glass.

**Note:** if required the next page can be cut out and used as reference throughout the assembly. Keep this page with these instructions for future reference.

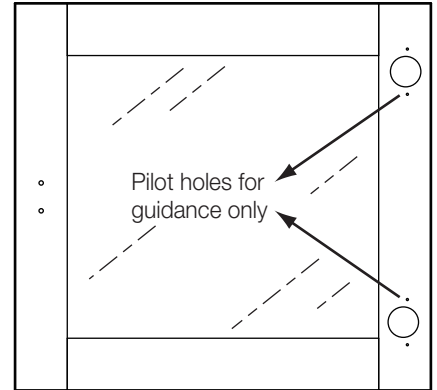
# Components - Panels

If you have damaged or missing components, call the **Customer Helpline: 08456 400800**

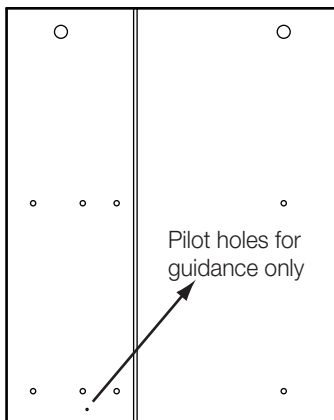
Please check you have all the panels listed below



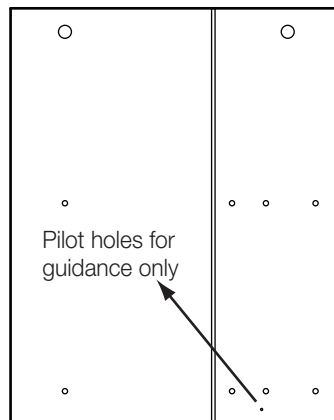
**1** Table top panel (100 x 40cm)



**2** Door x 2 (48 x 44.5cm)



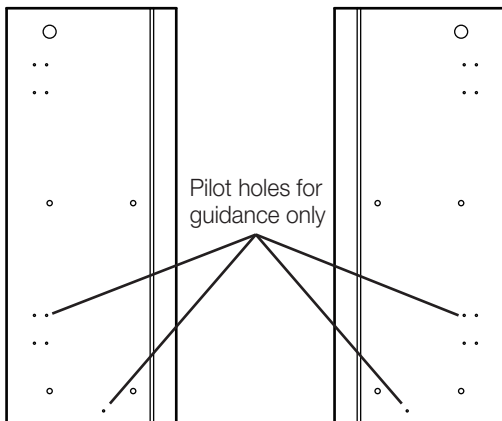
**3** Middle left panel  
(38.1 x 47.6cm)



**4** Middle right panel  
(38.1 x 47.6cm)



**5** Middle support x 2  
(47.6 x 38cm)

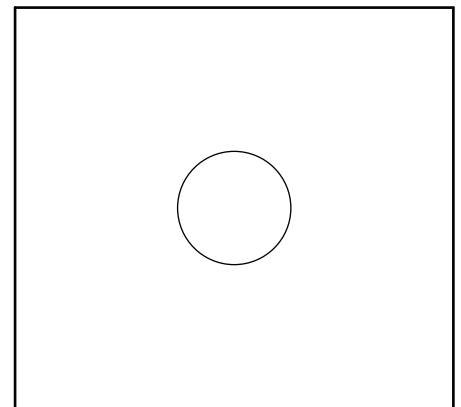


**6** Left side panel  
(19.5 x 47.6cm)

**7** Right side panel  
(19.5 x 47.6cm)

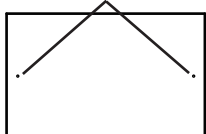


**8** Small back panel  
x 2 (23.7 x 44.5cm)



**9** Large back panel  
(46 x 50.3cm)

Pilot holes for guidance only



**10** Bottom panel x 2  
(23 x 14.4cm)






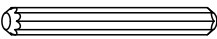
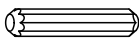

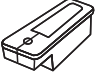
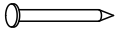



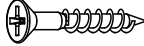
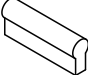
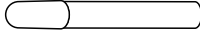
**11** Shelf panel x 2  
(23 x 14.4cm)



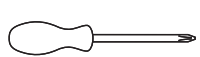
# Components - Fittings

Please check you have all the fittings listed below

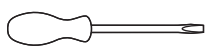
**Note:** The quantities below are the correct amount to complete the assembly. in some cases more fittings may be supplied than are required.

<b>A</b>  Plastic support x 4	<b>B</b>  14mm Screw x 8	<b>C</b>  50mm Screw x 8
<b>D</b>  Longe wooden dowel x 8	<b>E</b>  Short wooden dowel x 12	<b>F</b>  Locking pin x 6
<b>G</b>  Nail guide x 1	<b>H</b>  Nail x 14	<b>I</b>  (Screws are included in the Door hinge bag) 15mm Screw x 24
<b>J</b>  Door hinge x 4	<b>K</b>  15mm Locking nut x 6	<b>L</b>  25mm Screw x 4
<b>M</b>  Handle x 2	<b>N</b>  Glue x 1	

## Tools required



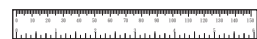
Phillips screwdriver  
(medium & large)



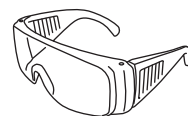
Flatblade screwdriver  
(medium)



Small  
hammer



Ruler/tape  
measure



Eye protection  
(when using a  
hammer or glue)

Ruler - Use this ruler to help correctly identify the screws

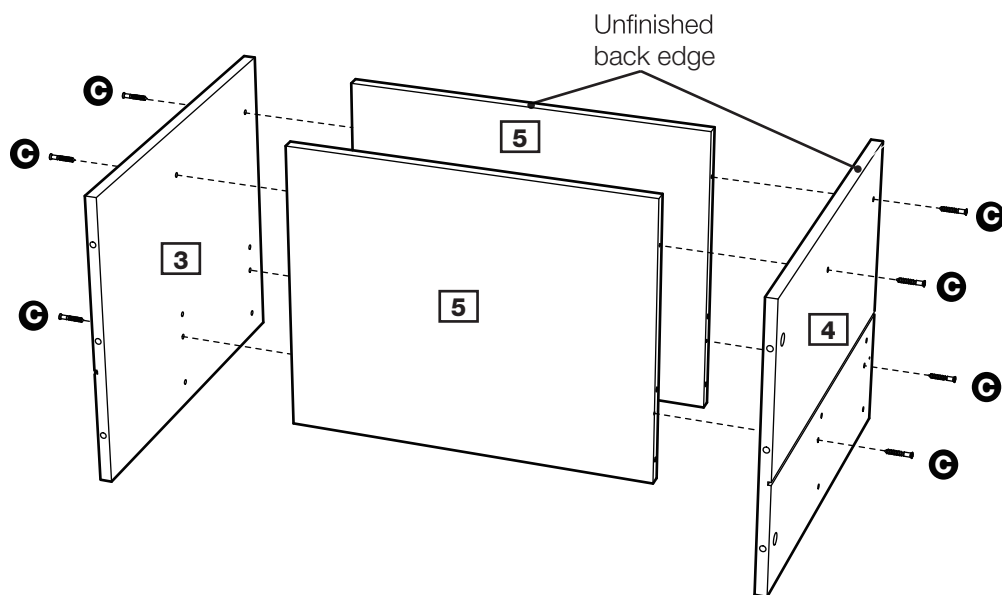


# Assembly Instructions

## Step 1

### Attaching middle supports

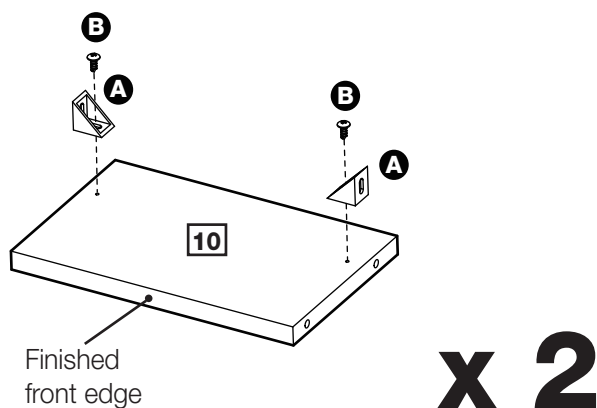
Use Screws **C** to fix the Middle left panel **3** and Middle right panel **4** onto the Middle supports **5**.



## Step 2

### Attaching plastic supports

Use Screws **B** to fix the Plastic supports **A** onto the Bottom panels **10**.

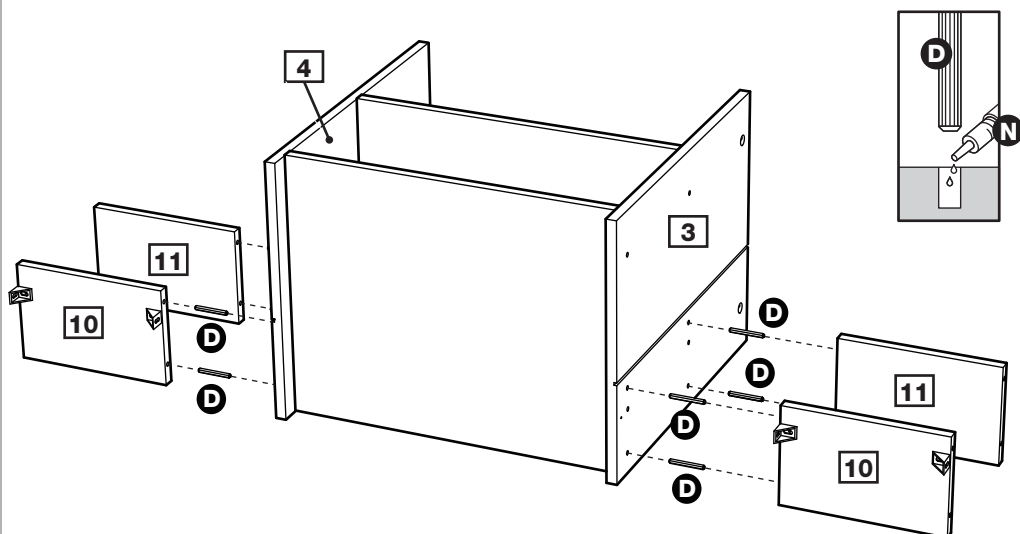


## Step 3

### Attaching bottom and shelf panels

Place a small amount of Gule **N** into the dowel holes and onto the joint's surfaces.

Use Long wooden dowels **D** to fix the Bottom panels **10** and Shelf panels **11** onto the unit.

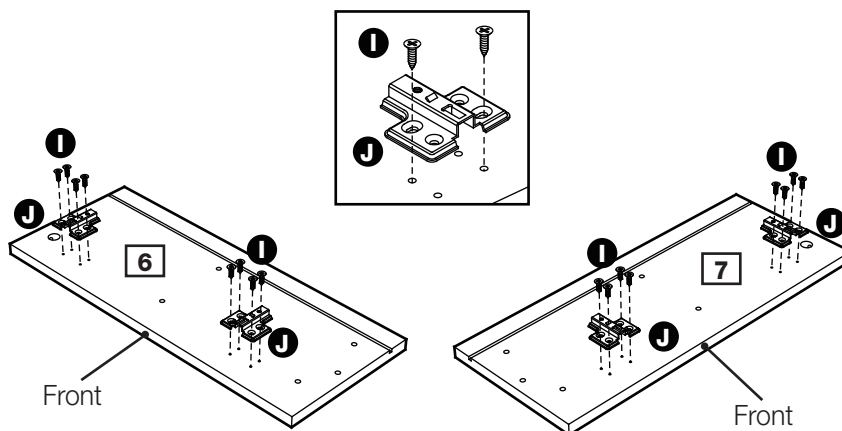


# Assembly Instructions

## Step 4

### Attaching hinges

Use Screws **I** to fix the Door hinges **J** 'back plates' onto the Left and Right side panel **6** & **7**.

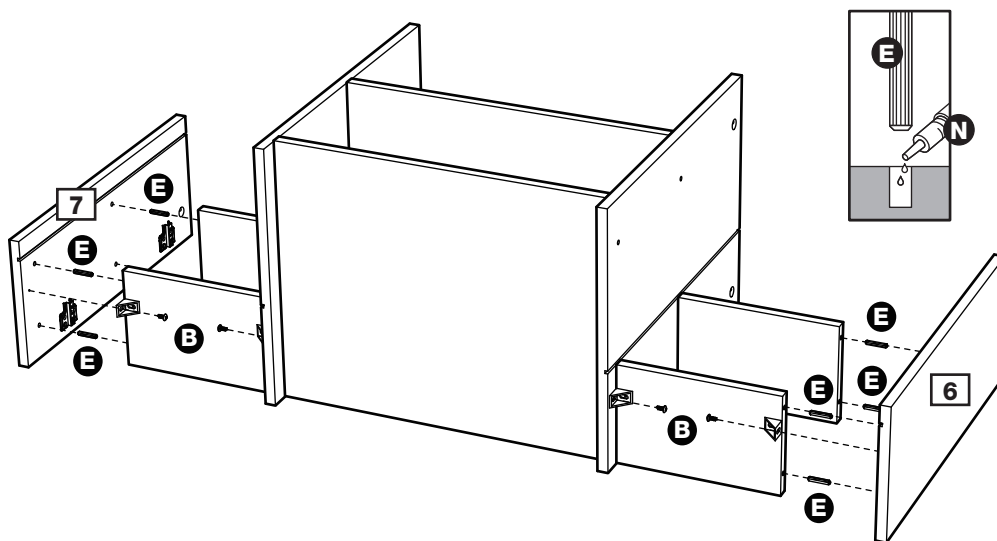


## Step 5

### Attaching side panels

Place a small amount of Glue **N** into the dowel holes.

Use Short wooden dowels **E** and Screws **B** to fix the Left side panel **6** and Right side panel **7** onto the unit.



## Step 6

### Attaching table top panel

**a:** Place a small amount of Glue **N** into the dowel holes of the Table top panel **1**.

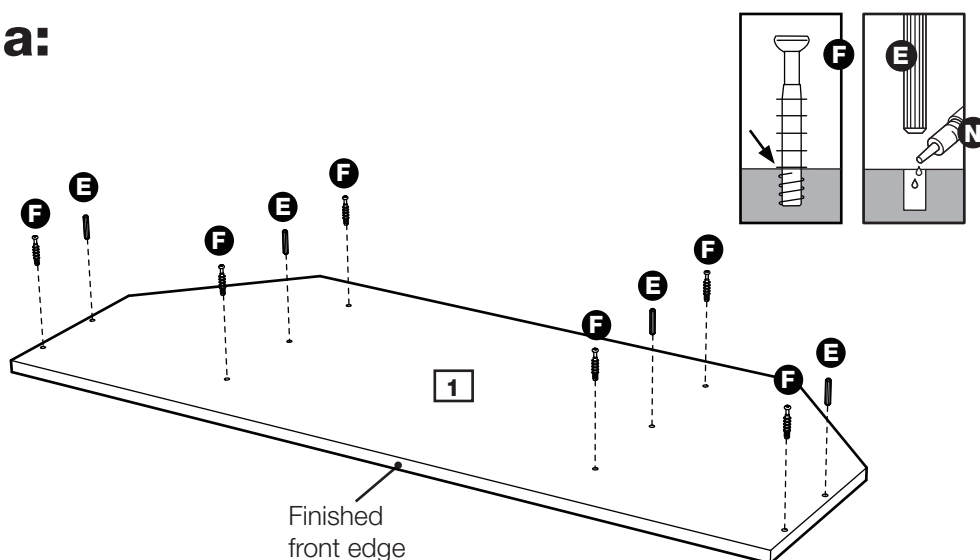
Screw in Locking pins **F** and insert Short wooden dowels **E** into the Table top panel **1**.

**Note:** Insert Locking pins as far as shown.

**Do not over tighten.**

Continued on next page.

**a:**



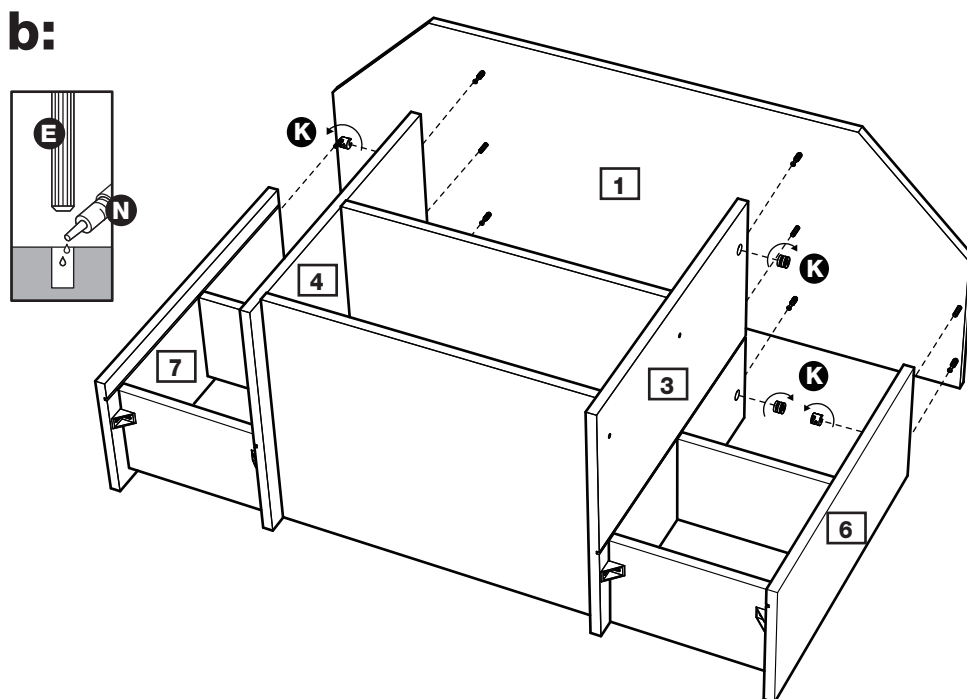
# Assembly Instructions

## Step 6 - continued

**b:** Glue ends of fitted Short wooden dowels. Carefully place the Table top panel **1** onto the unit.

Insert 6 Locking nuts into the Middle left panel **3**, Middle right panel **4**, Left side panel **6** and Right side panel **7** where shown.

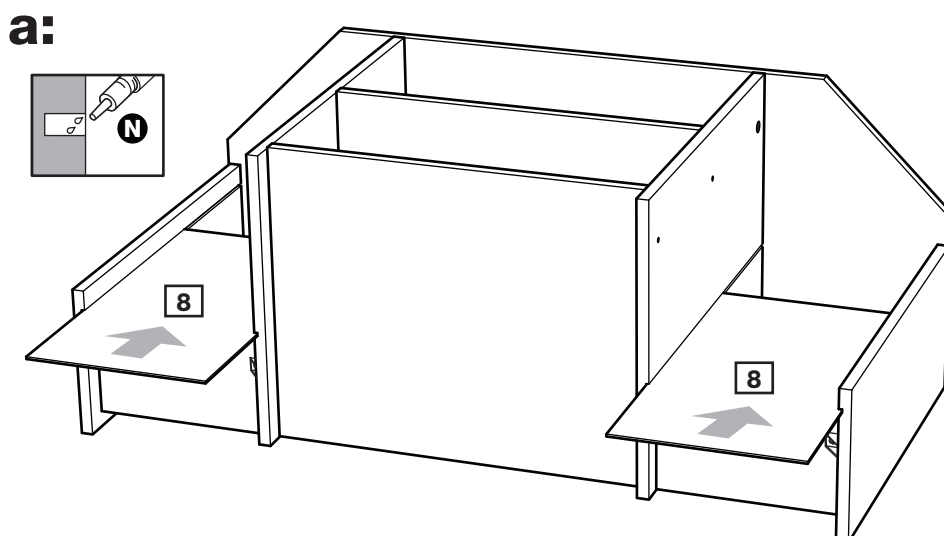
Use a screwdriver to turn Locking nuts **K** clockwise to lock.



## Step 7

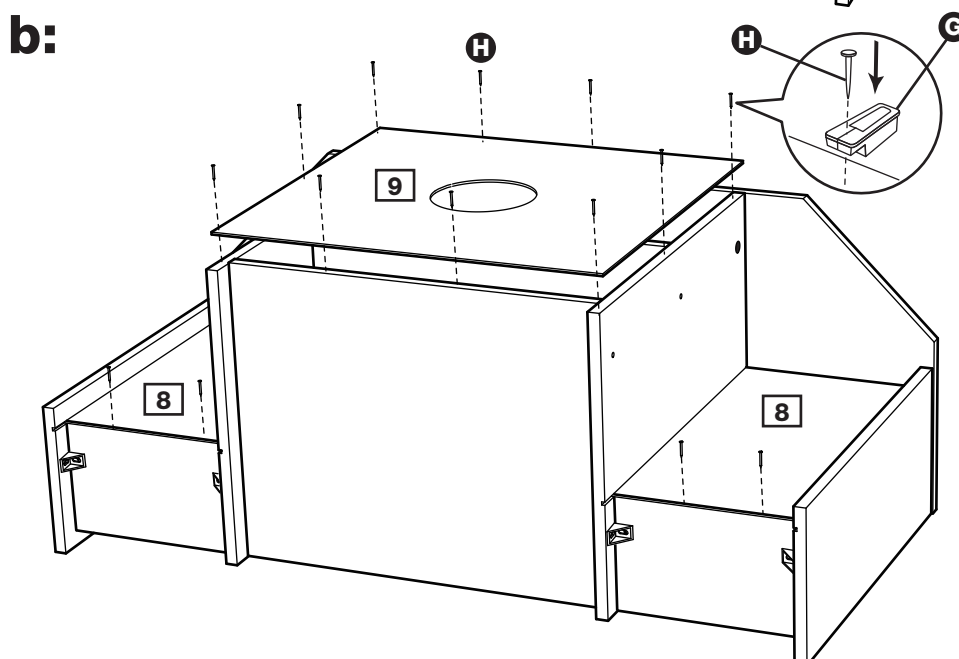
### Attaching back panels

**a:** Place a small amount of Glue **N** into the groove. Slide the Small back panels **8** into the unit.



**b:** Use the Nails **H** to fix the Small back panels **8** and Large back panel **9** onto the unit.

**Note:** Use Nail guide **G** to keep a constant distance from the edge to Nails **H**.



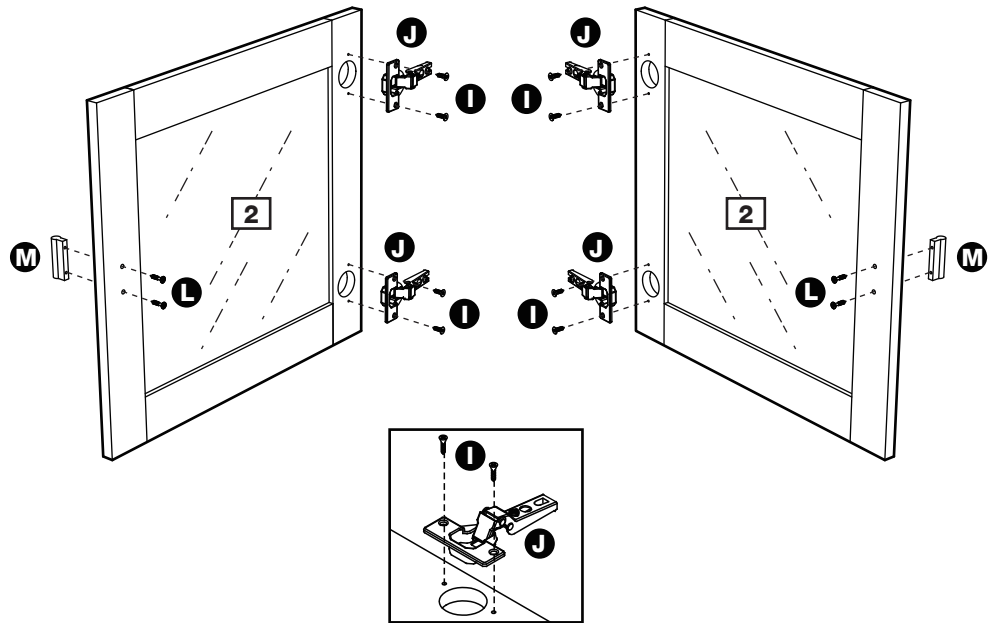
# Assembly Instructions

## Step 8

### Attaching hinges

Fix two Door hinges **J** to each Doors **2** using Screws **I**.

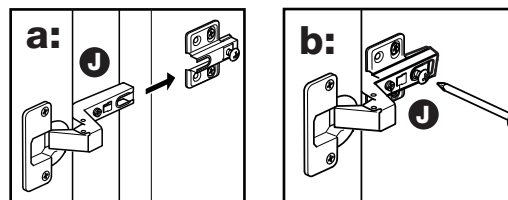
Attach the Handles **M** to the outside of the Doors **2** using Screws **L**.



## Step 9

### Hanging doors

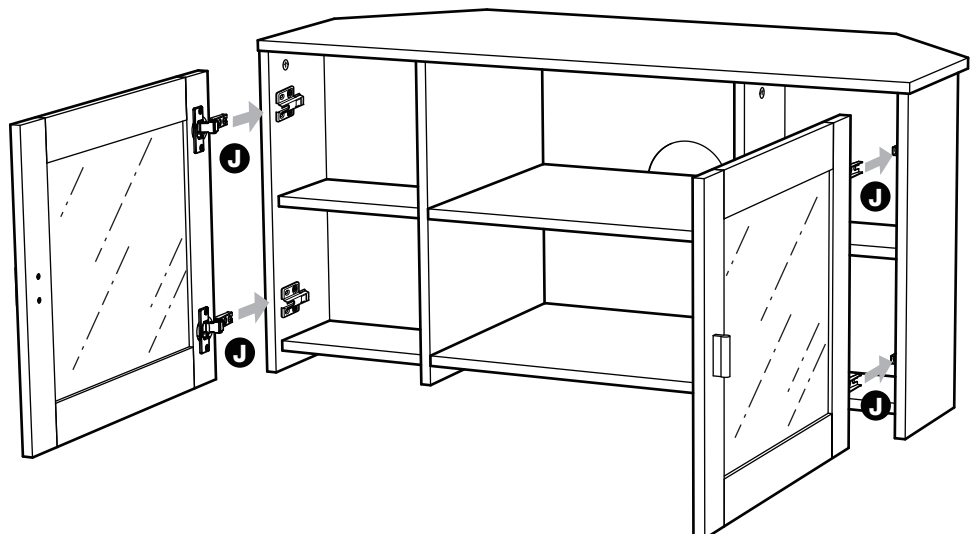
**a:** With help, slot Door hinges **J** onto 'hinge plates'.



**b:** Tighten screw shown to lock hinges in position.

Repeat **a** and **b** for opposite door.

See 'Hinge adjustment' in step 9 if the doors need adjusting.





# Assembly Instructions

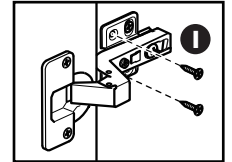
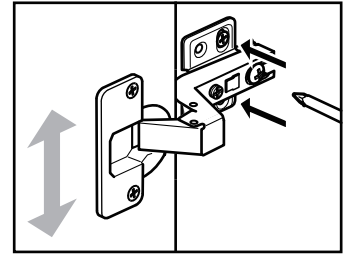
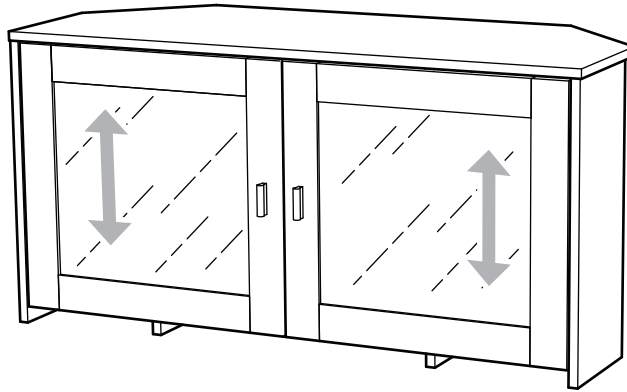
## Step 10

### Hinge adjustment

**a:** To move doors up or down: loosen screws shown and move doors to suit.

Once doors are aligned, re-tighten and insert Screws ❶ into all 'hinge plates'.

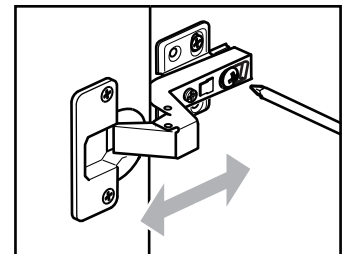
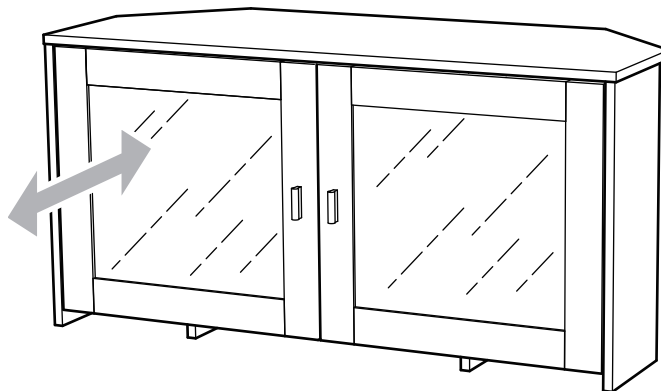
**a:**



**b:** To move doors in or out: loosen screw shown and move doors to suit.

Re-tighten screws.

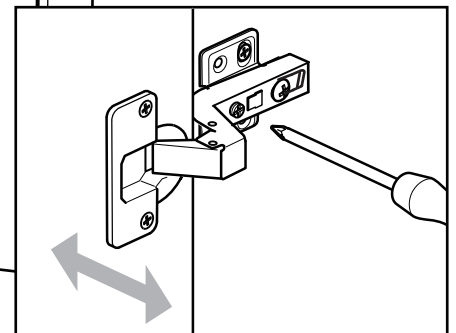
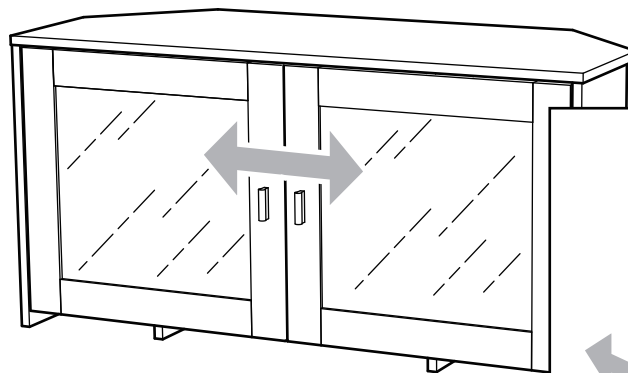
**b:**



**c:** To move doors left or right: loosen screw shown and move doors to suit.

Re-tighten screws.

**c:**



**Assembly is complete.**

If you need help or have damaged or missing parts, call the **Customer Helpline: 08456 400800**