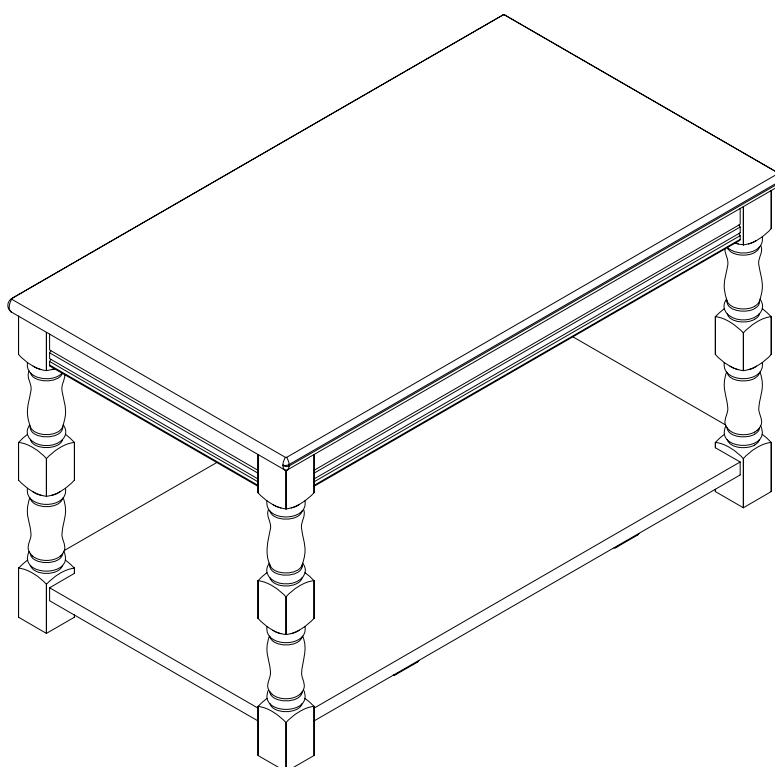


# SI Lounge Cabinet - Devon Coffee Table Dark Walnut

Assembly Instructions- Please keep for future reference

609/2366



## Dimensions

Width - 80cm

Depth - 45cm

Height - 45cm

**Important - Please read these instructions fully before starting assembly**

If you need help or have damaged or missing parts, call the Customer Helpline: 08456 400800



## Safety and Care Advice

**Important - Please read these instructions fully before starting assembly**

- . Check you have all the components and tools listed on pages 2 and 3.
- . Remove all fittings from the plastic bags and separate them into their groups.
- . Keep children and animals away from the work area, small parts could choke if swallowed.
- . Make sure you have enough space to layout the parts before starting.

- . Do not stand or put weight on the product, this could cause damage.
- . Assemble the item as close to its final position (in the same room) as possible.
- . Assemble on a soft level surface to avoid damaging the unit or your floor.
- . Parts of the assembly will be easier with 2 people.



- . We do not recommend the use of power drill/drivers **for inserting screws**, as this could damage the unit. Only use hand screwdrivers.
- . Dispose of all packaging carefully and responsibly.

**Glue safety - Take care when using glue, please follow the advice below**

**Skin contact:** Remove contamination by washing with soap and water. This procedure should also be followed prior to eating and drinking.

**Eye contact:** Rinse immediately with clean water for 15 minutes and seek medical advice.

**If swallowed:** Seek medical advice immediately.

**Care and maintenance**

. Only clean using a damp cloth and mild detergent, do not use bleach or abrasive cleaners.

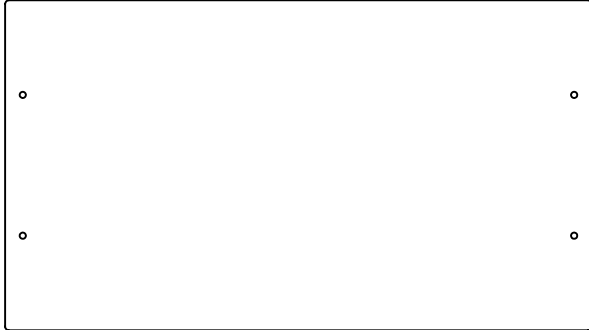
. From time to time check that there are no loose screws on this unit.

. This product should not be discarded with household waste. Take to your local authority waste disposal centre.

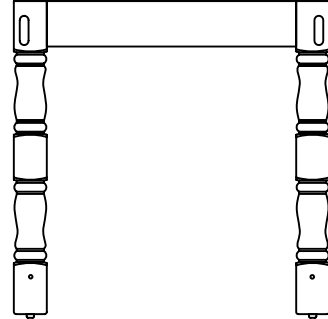
**Note:** if required the next page can be cut out and used as reference throughout the assembly. Keep this page with these instructions for future reference.

# Components - Panels

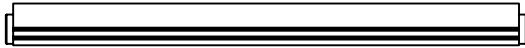
Please check you have all the panels listed below



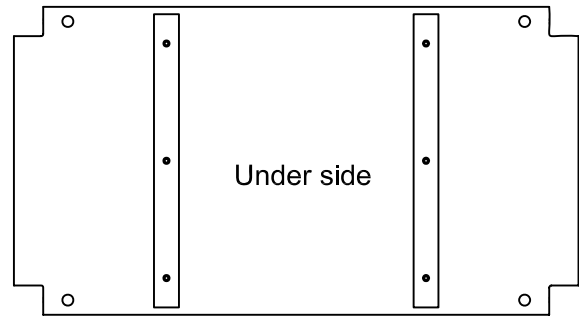
1 Top panel (80 x 45cm)



2 x 2  
Side frame (43.2 x 43cm)



3 x 2  
Lath (71 x 5.7cm)



4 Bottom panel (77 x 42cm)

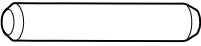
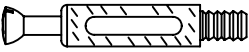

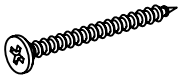


# Components - Fittings

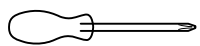
If you have damaged or missing components, call the Customer Helpline: 08456 400800

Please check you have all the fittings listed below

*Note:* The quantities below are the correct amount to complete the assembly. In some cases more fittings may be supplied than are required.

<p>(A) </p> <p>Wooden dowel x 4</p>	<p>(B) </p> <p>Bolt - <math>\varnothing 6</math> x 33.5/11mm x 4</p>	<p>(C) </p> <p>Cam - <math>\varnothing 15</math> x 12mm x 4</p>
<p>(D) </p> <p>Screw - <math>\varnothing 3.5</math> x 45mm x 18</p>		

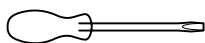
## Tools required



Screwdriver  
(medium & large)

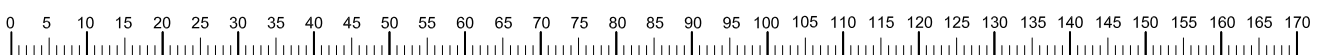


Small  
hammer



Flatblade screwdriver  
(medium)

Ruler - Use this ruler to help correctly identify the screws



# Assembly Instructions

## Step 1

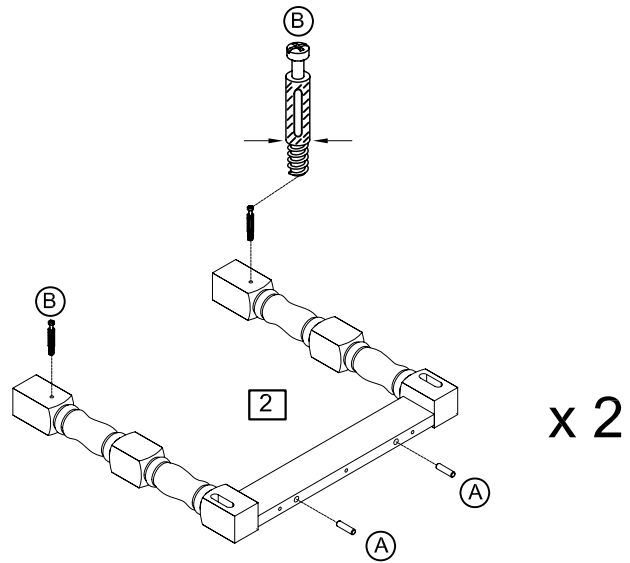
### Fixing Screws

a: Insert wooden dowels

Ⓐ into side 2.

b. Fix screw bolts Ⓑ into side frame 2.

c. Repeat a. & b. on another side 2.



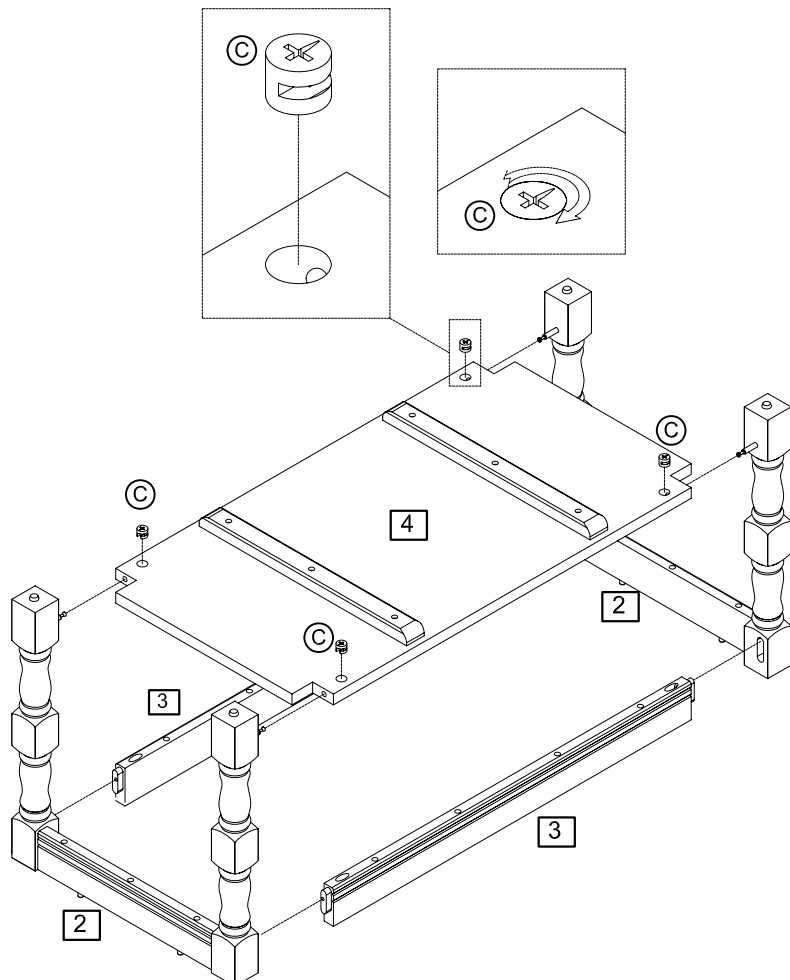
## Step 2

### Attaching Bottom & Laths

a: Fix the bottom 4 & Laths 3 onto the sides 2.

b. Fix the Bottom 4 by using the Cam Ⓒ.

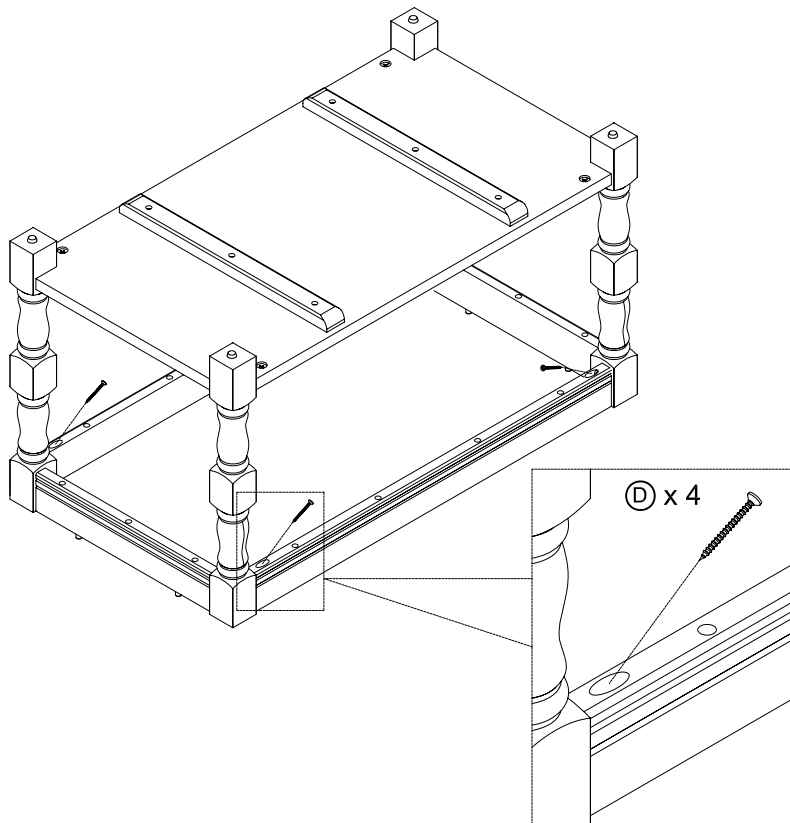
Use a screwdriver to turn locking nuts Ⓒ clockwise to lock.



# Assembly Instructions

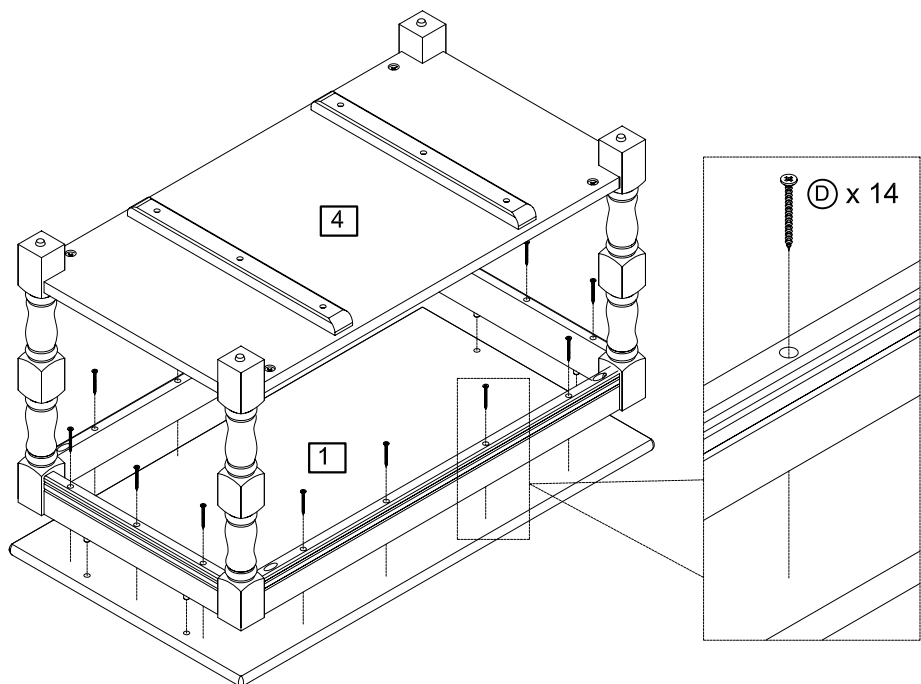
## Step 3

Fixing the Laths  
Fix through holes shown using screws ④.



## Step 4

Attaching the Top  
a: position the top ① under the unit.  
b: Fix the Top ① through holes shown using screws ⑤.



Assembly is complete.