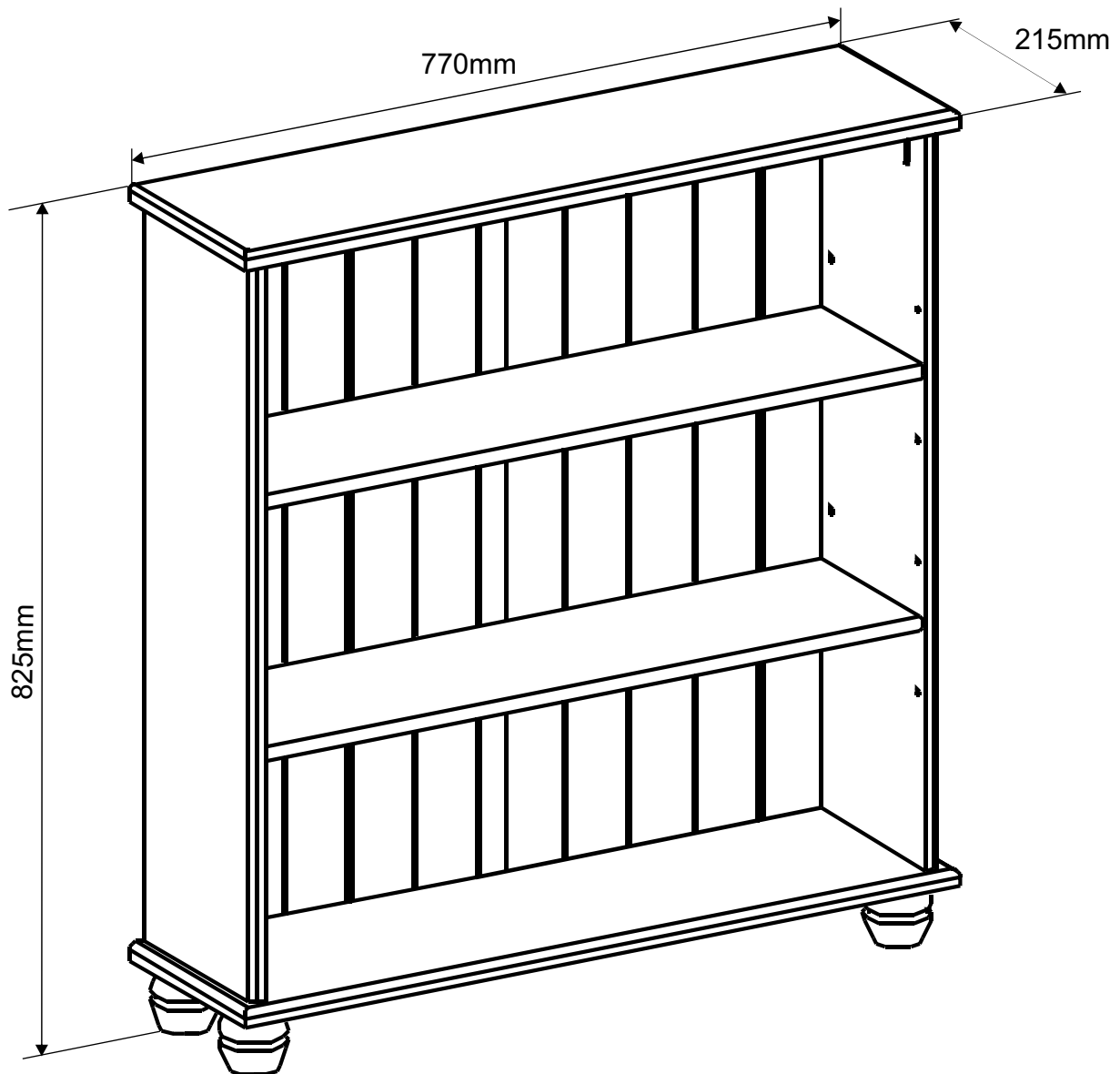








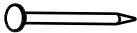


RIO SHORT BOOKCASE



Avoid over exposure to direct sunlight as your product is produced from solid pine. Direct sunlight can cause slight discolouration to the surface around the pine knots due to the resin content in the wood. This is not considered to be a manufacturers fault. The assembly should be done on soft carpeted surface to prevent scratches. Tighten screws every few months. Please keep this instruction booklet for future reference

Please check all parts before you begin to assemble the item.
This to make sure you always use the correct part.

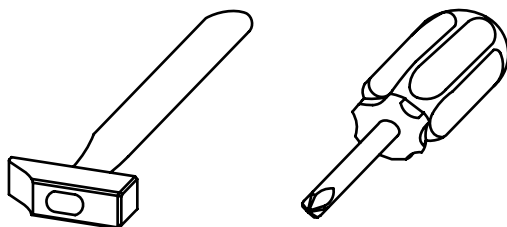
Fittings contained in the box.

<p>A 04 pcs. Screw - Ø4x30mm</p> 	<p>D 08 pcs. Shelf Support</p> 	<p>G 01 pcs. Screw - Ø3,5x16mm</p> 
<p>B 08 pcs. Dowel - Ø6x25mm</p> 	<p>E 01 pcs.</p> 	<p>H 04 pcs. Screw - Ø3,5x35mm</p> 
<p>C 22 pcs. Nail 8x8mm</p> 	<p>F 01 pcs. Washer</p> 	<p>I 04 pcs. Screw - Ø4,0x50mm</p> 

Hazard Warning !

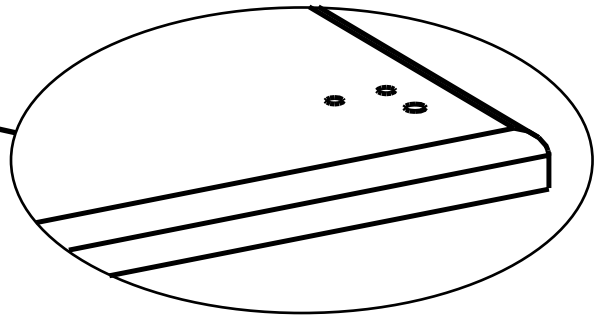
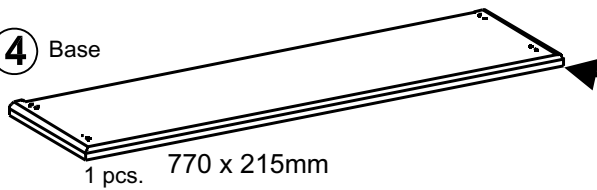
Keep small components out of the reach of children.

Tools needed.

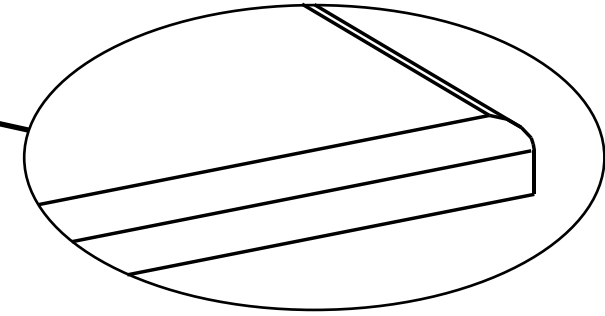
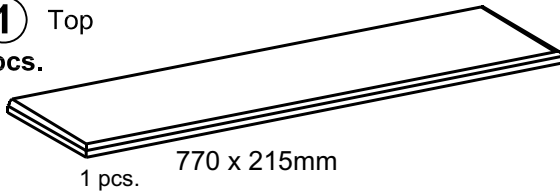


Wooden parts contained in the box.

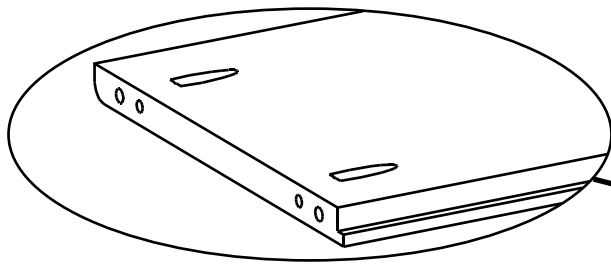
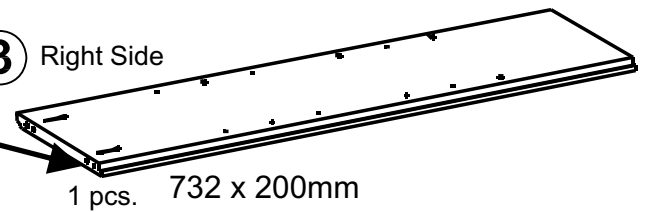
④ Base



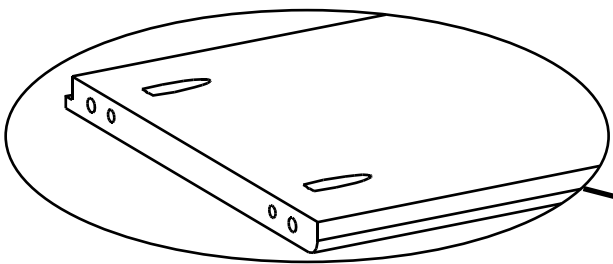
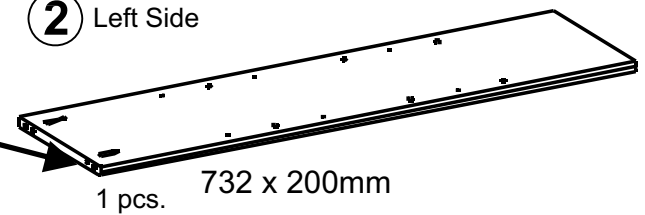
① Top
1 pcs.




③ Right Side

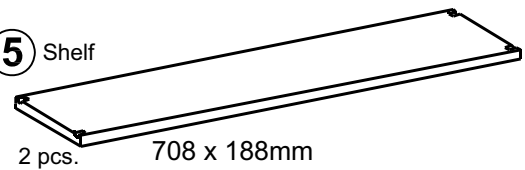


② Left Side

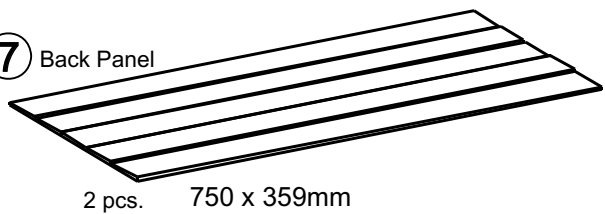


⑥ Feet
4 pcs.  60 x 65mm

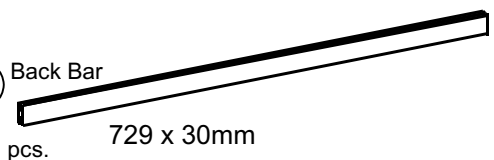
⑤ Shelf



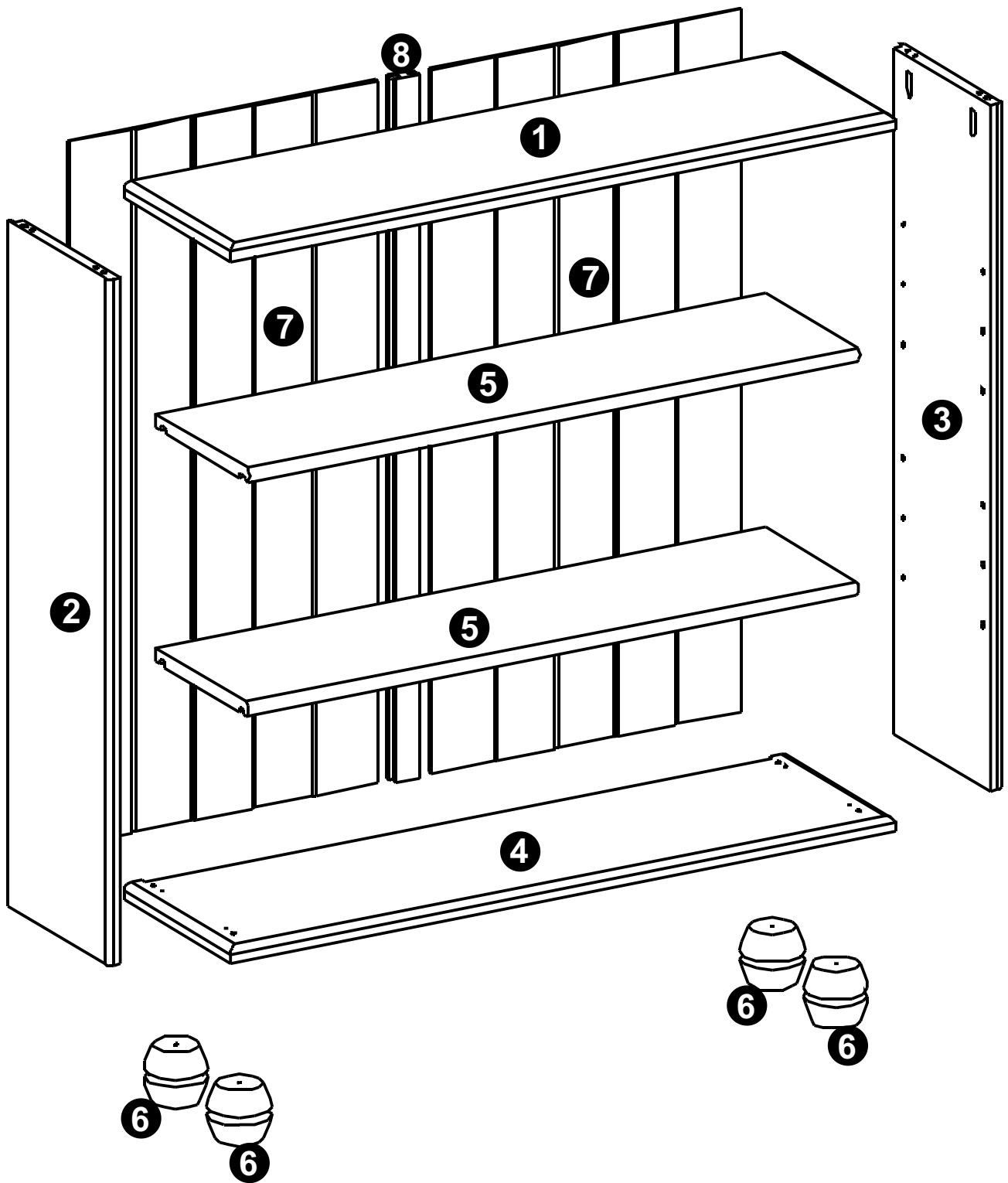
⑦ Back Panel



⑧ Back Bar



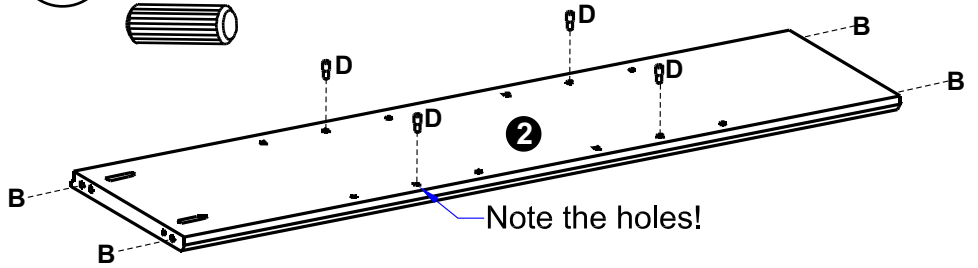
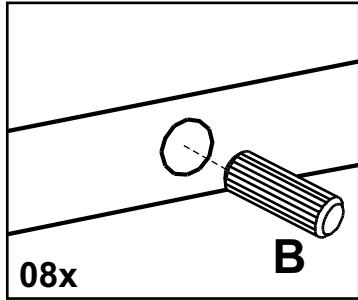
Key diagram.



1. Preparing the sides.

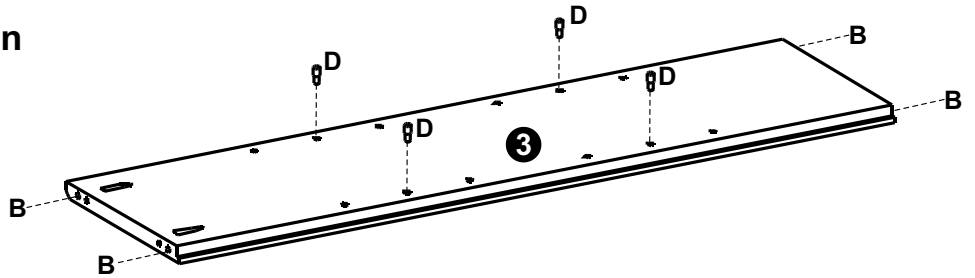
Push dowels (B) in the holes indicated for sides 2 and 3.

(B) 08 pcs.



Push supports of shelf (D) in the holes in sides 2 and 3.

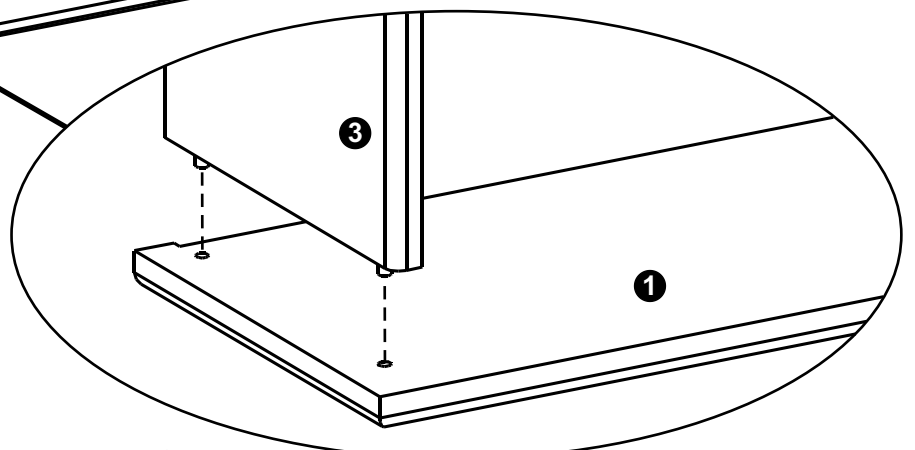
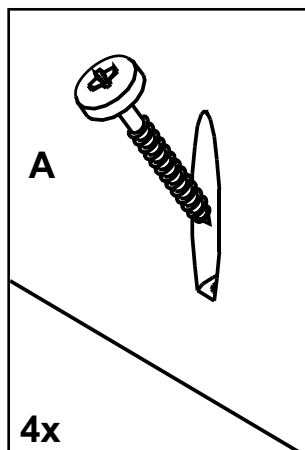
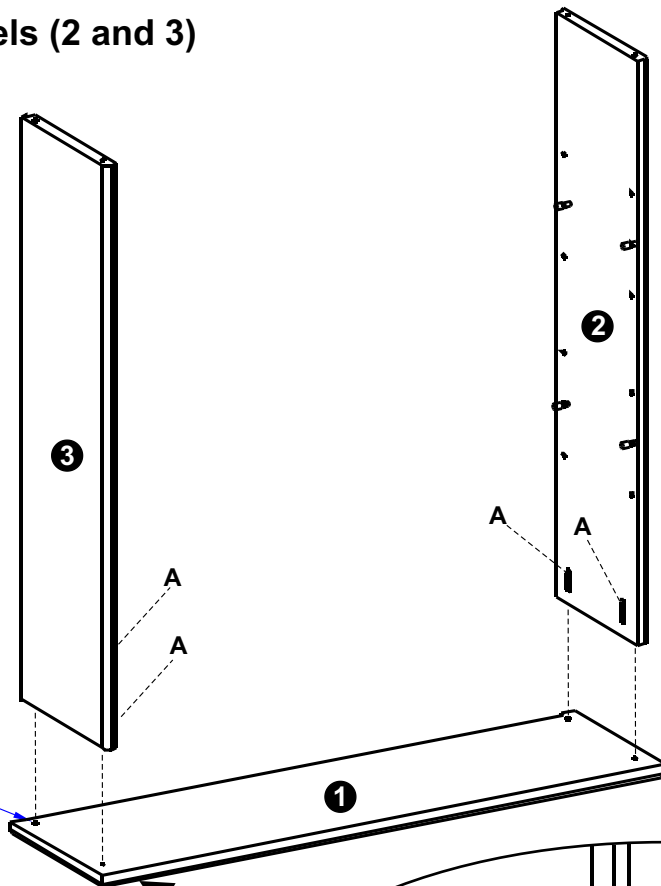
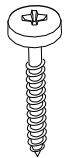
(D) 08 pcs.



2. Fixes sides to top.

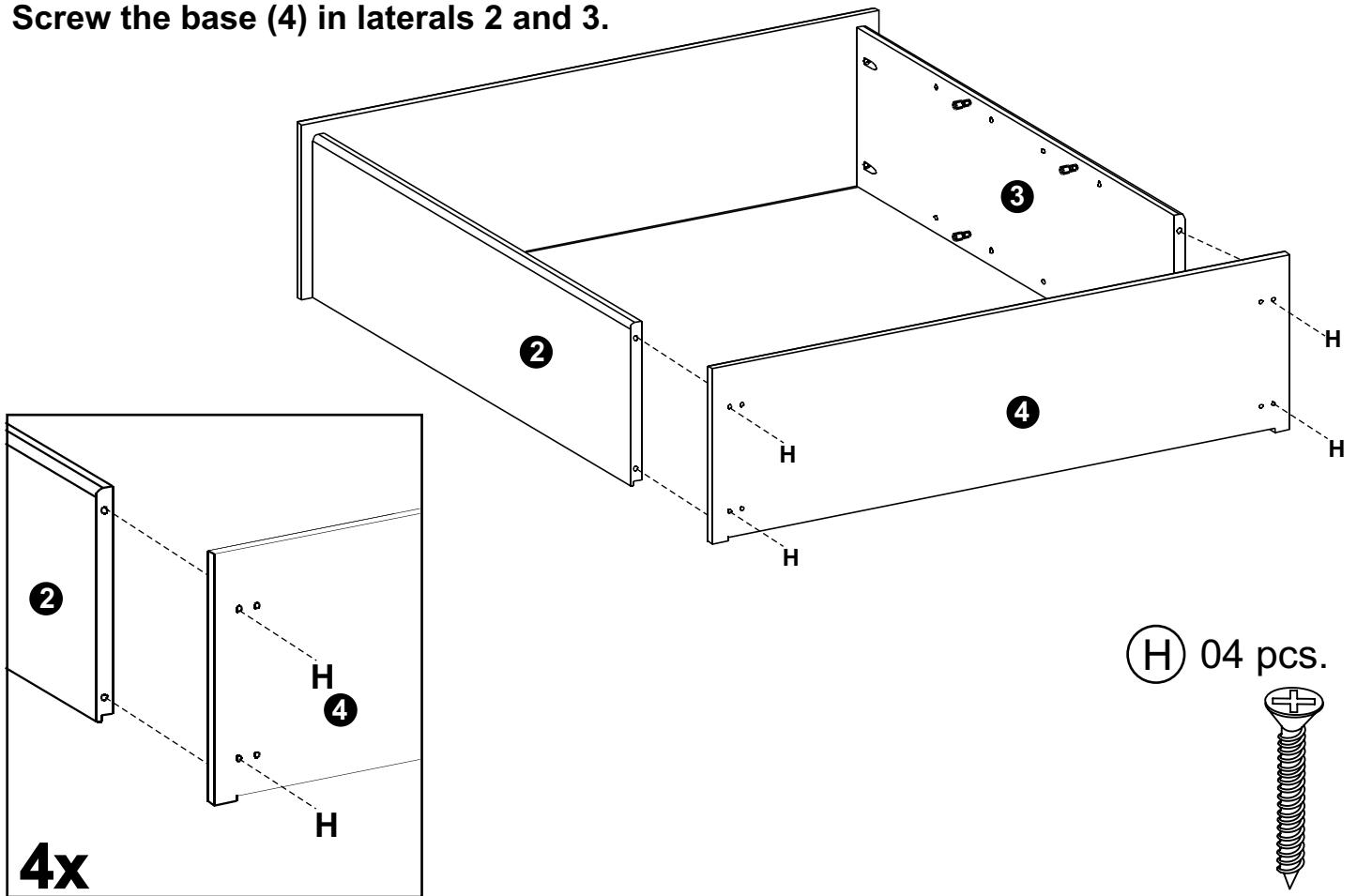
Screw the side panels (2 and 3) in top piece (1).

(A) 04 pcs.



3. Assemble the base.

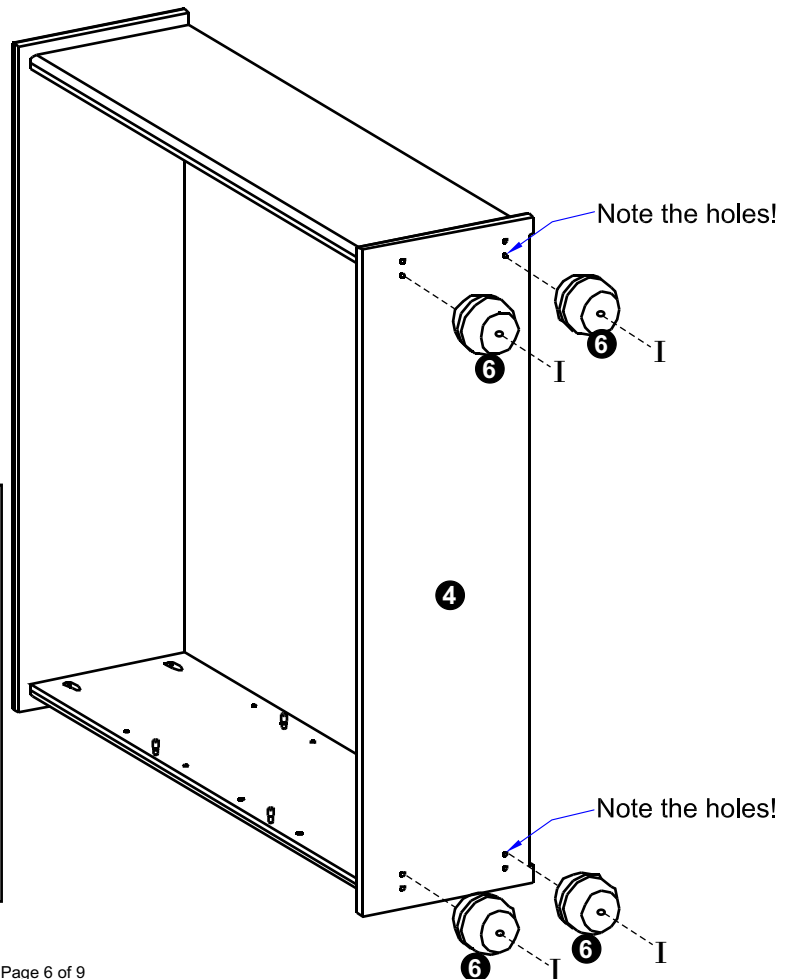
Screw the base (4) in laterals 2 and 3.



4. Assemble the feet.

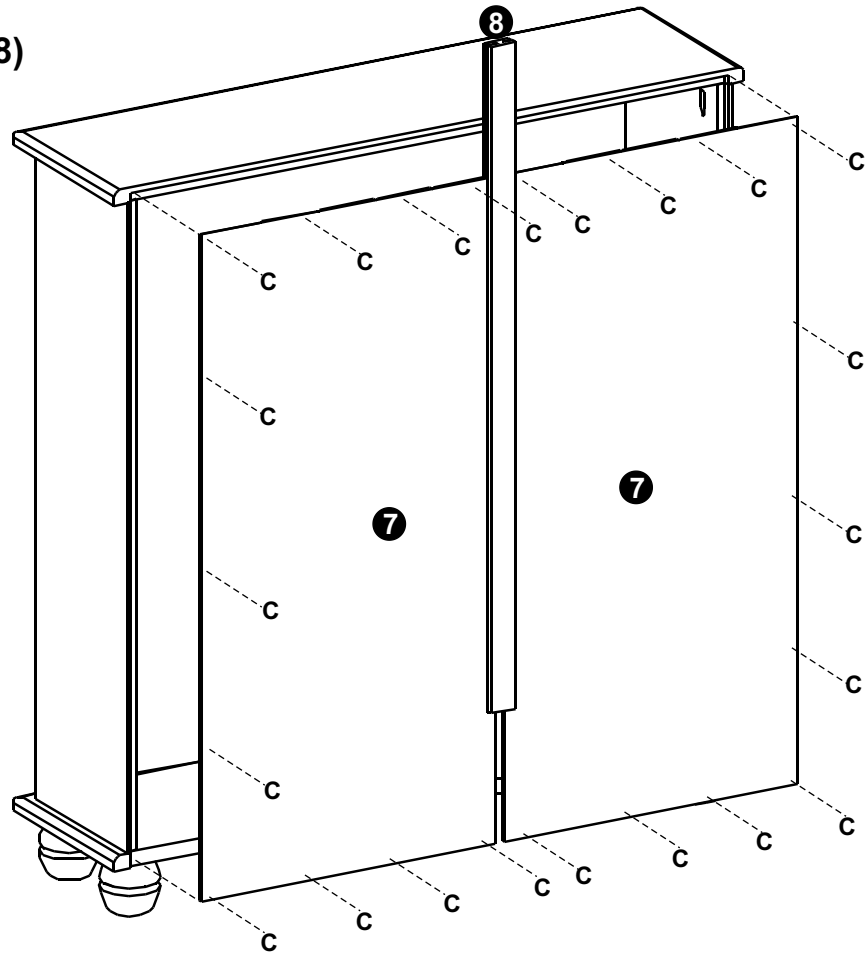
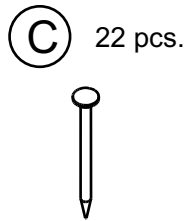
Screw the feet (6) in the base (4).

(I) 04 pcs.



5. Assemble the back panel.

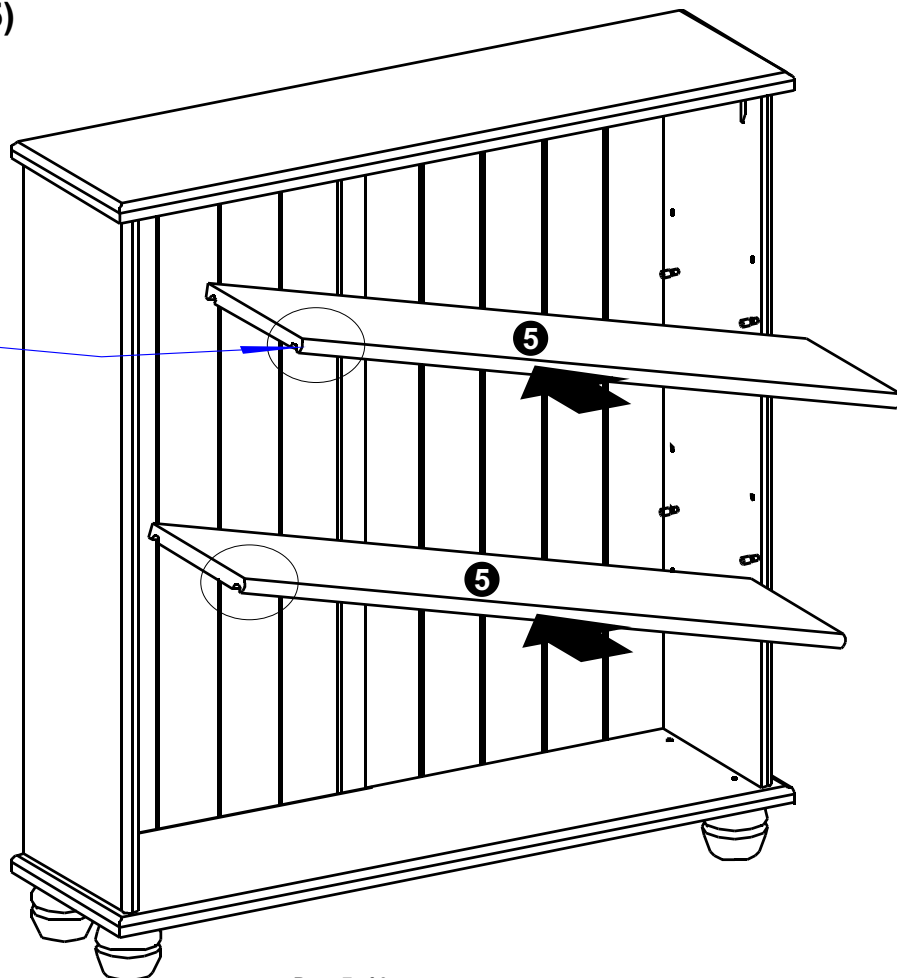
Nail the back panel,
and place the back bar (8)
in the furniture.



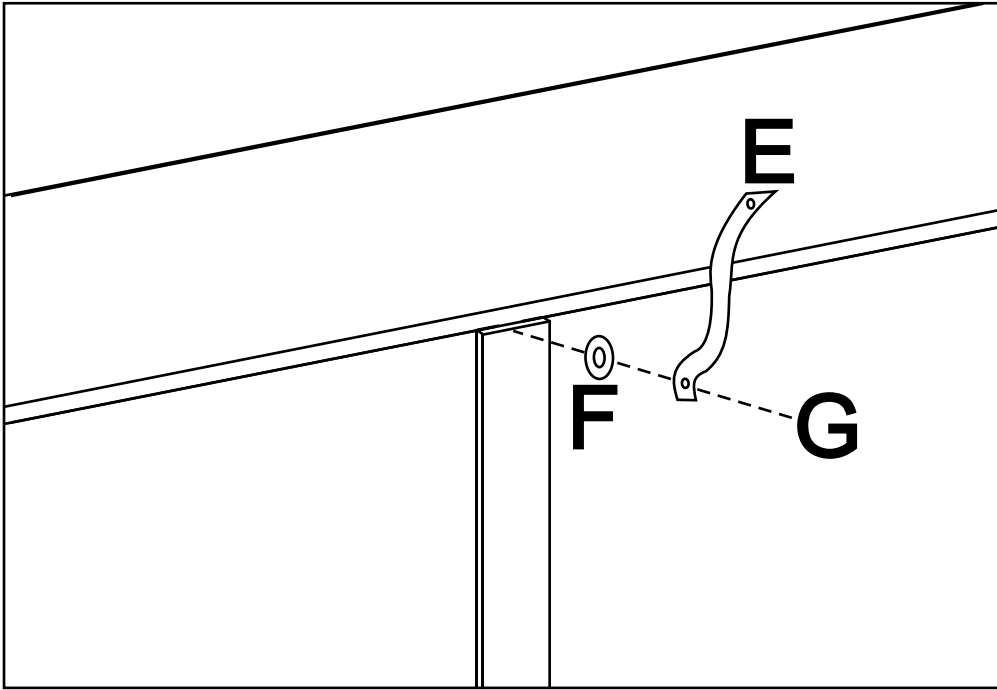
6. Fix the shelves.

Place the shelves (5)
in the furniture.

Note rounded edge!



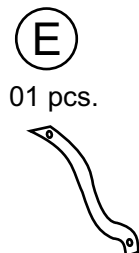
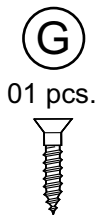
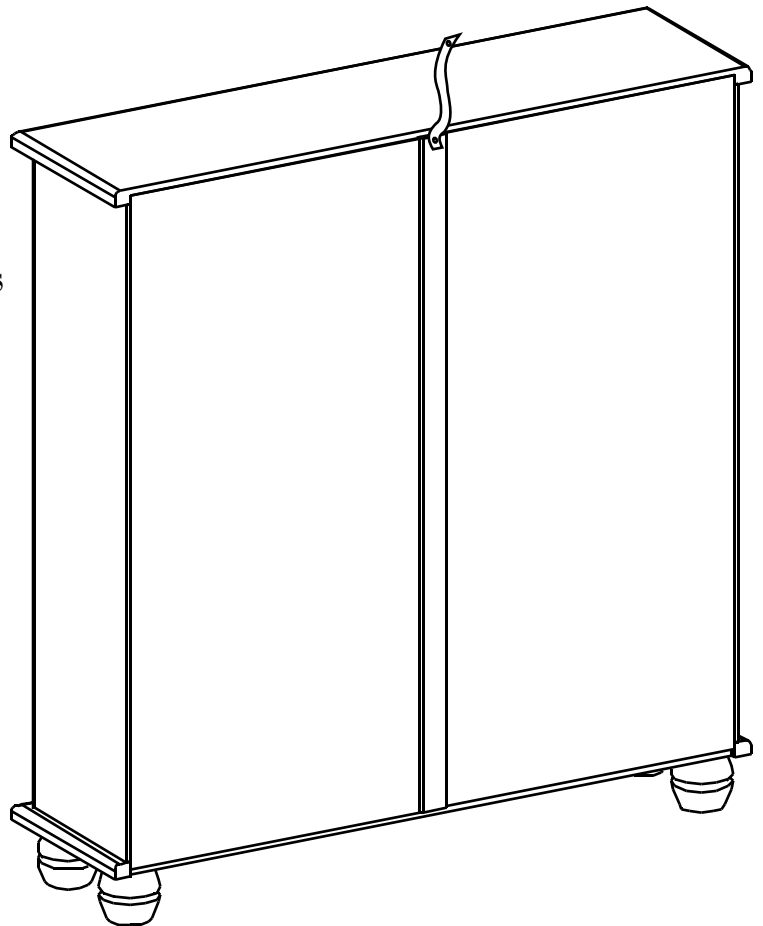
7. Fix the furniture in the wall.



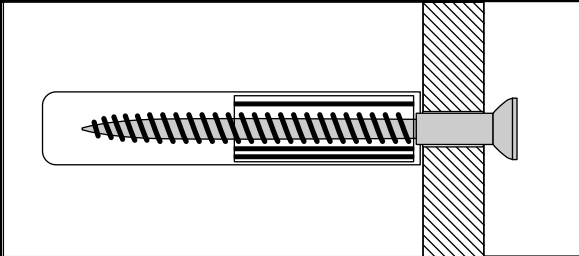
The manufacturer strongly recommends to secure the unit to the wall.

Please use fittings(G),(E),(F)

The screw to affix the strap to the wall is not included, please asses the type of your wall and purchase the correct fittings.




Wall Mounting & Fixings



IMPORTANT:

When drilling into walls always check that there are no hidden wires or pipes etc. Make sure that the screws and wall plugs being used are suitable for supporting your unit. Consult a qualified tradesperson if you are unsure.

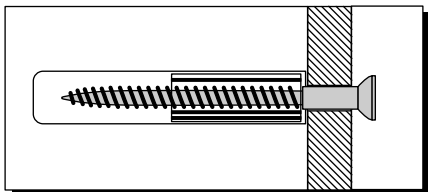
HINTS:

- 1) General Rule  Always use a larger screw and wall plug if you are not sure.
- 2) Ensure you use the recommended drill bit to match the wall plug and hole size.
- 3) Ensure you drill the hole horizontally, do not force the drill or enlarge the hole.
- 4) Take extra care when drilling high walls, ceilings and ceramic tiles. Ensure the plug is fitting below the ceramic tile to avoid splitting or cracking.
- 5) Ensure wall plugs are well fitted and are a tight fit in the drilled hole.

Types Of Walls

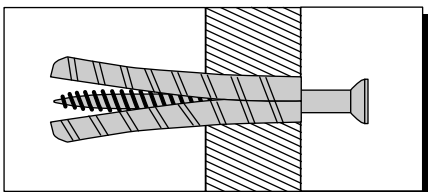
You can use one of the following types of wall plug if your walls are made of brick, breeze block, concrete, stone, wood or plaster board.

No.1 "Standard" Wall Plug General Wall Materials



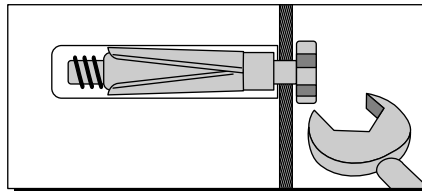
These come in various sizes and are made from plastic or sometimes wood fiber.

No.2 "General Purpose" Wall Plug Aerated / Breeze Block



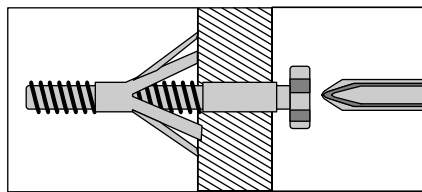
Generally aerated blocks should not be used to support heavy loads, use a specialist fitting in this case. For light loads, a General Purpose Plug can be used.

No.3 "Shield Anchor" Wall Plug Heavy Loads



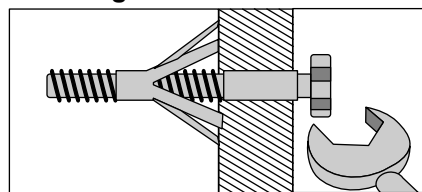
For use with heavier loads such as TV & HiFi Speakers and Satellite Dishes etc.

No.4 "Cavity Fixing" Wall Plug



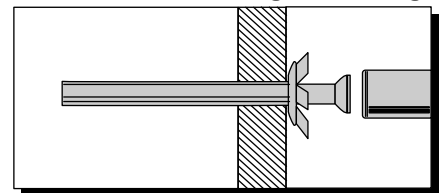
For use with plaster board partitions or hollow wooden doors.

No.5 "Cavity Fixing - Heavy Duty" Wall Plug



For use when fitting or supporting heavy loads such as shelving, wall cabinets, coat racks.

No.6 "Hammer Fixing" Wall Plug



For use with walls stuck with plaster board. The hammer fixing allows it to be fixed to the wall rather than the plaster board. Always check the fixing is secure to the retaining wall.

CARE & MAINTENANCE

SAFETY

Always check the fitting and location to ensure your safety in and around the home.

FITTING

From time to time check the fitting to ensure the wall plugs or screws do not become loose.