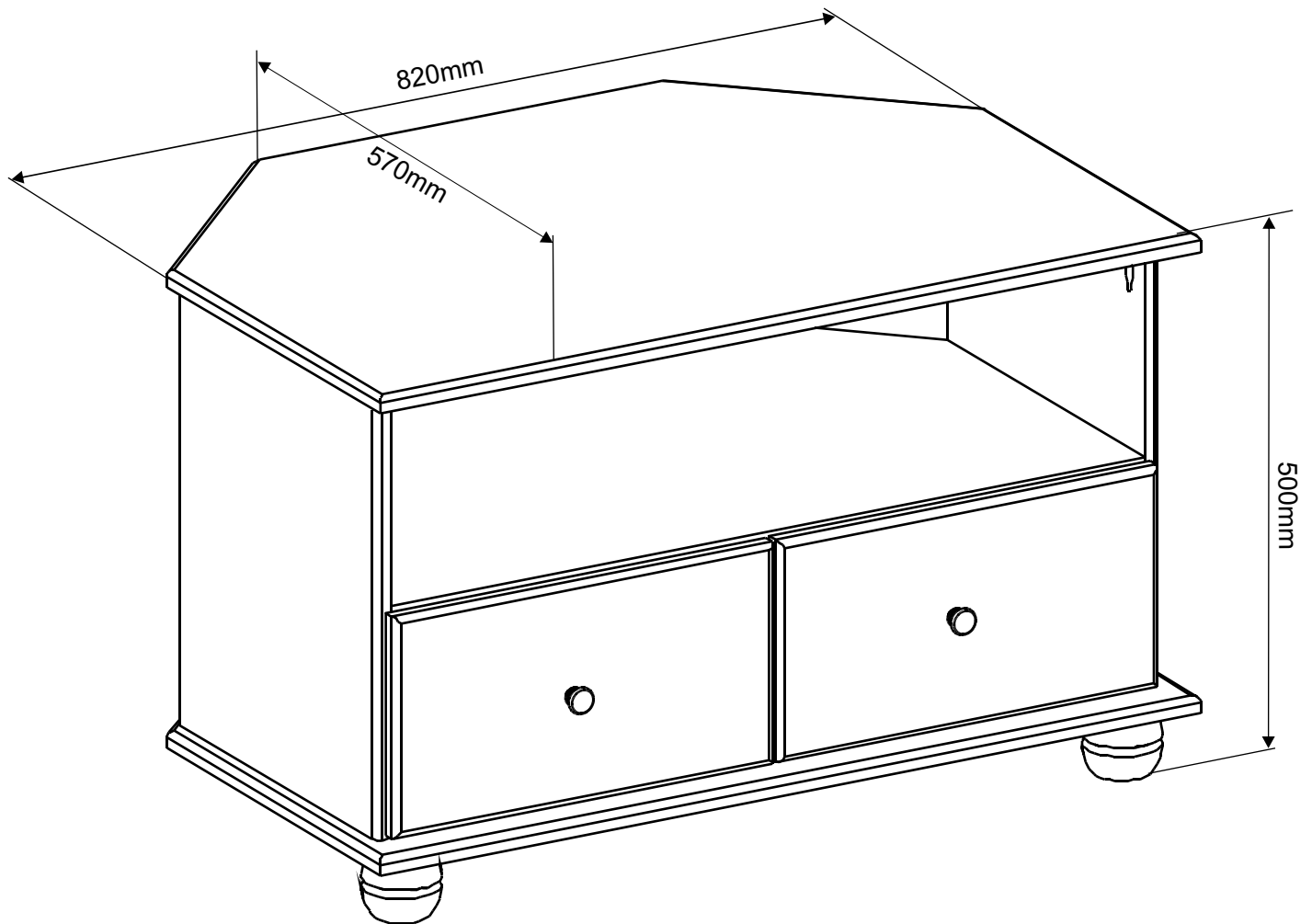


RIO CORNER TV UNIT



Avoid over exposure to direct sunlight as your product is produced from solid pine. Direct sunlight can cause slight discolouration to the surface around the pine knots due to the resin content in the wood. This is not considered to be a manufacturers fault. The assembly should be done on soft carpeted surface to prevent scratches. Tighten screws every few months. Please keep this instruction booklet for future reference

Please check all parts before you begin to assemble the item.
This to make sure you always use the correct part.

Fittings contained in the box.

(A) 44 pcs. Dowel - Ø6x25mm



(B) 28 pcs. Screw - Ø4x30mm



(C) 12 pcs. Screw - Ø4,0x40mm



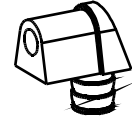
(D) 12 pcs. Screw - Ø3,5x30mm



(E) 02 pcs. Dowel - Ø6x40mm



(F) 04 pcs. Trapeze



(G) 04 pcs. Screw - Ø4,0x25mm



(H) 4 pcs. Nail 8x8mm



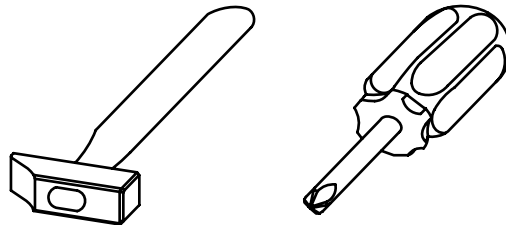
(I) 02 pcs. Knob



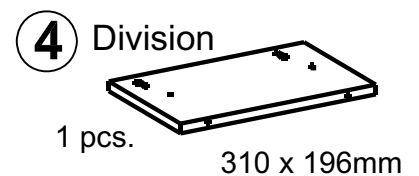
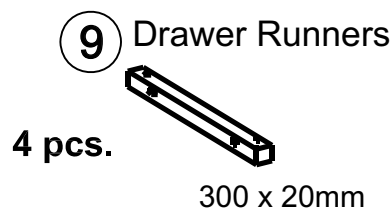
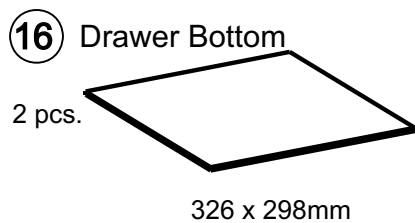
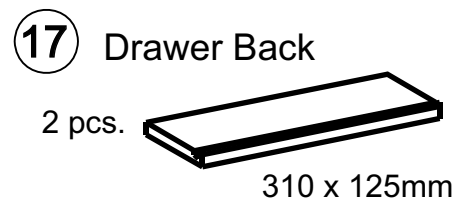
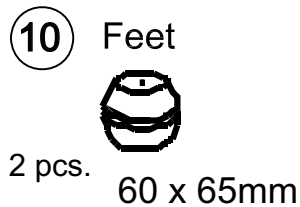
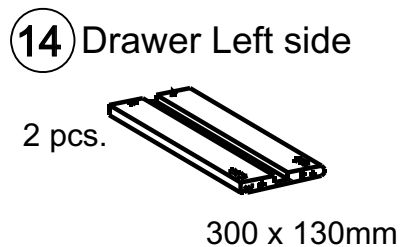
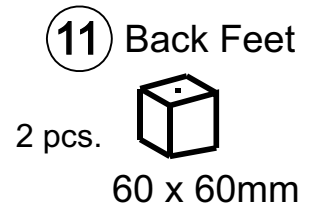
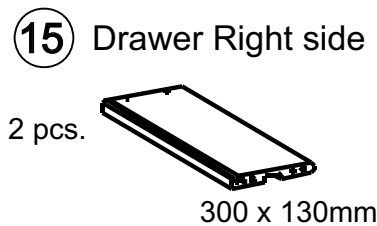
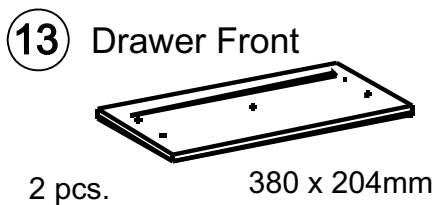
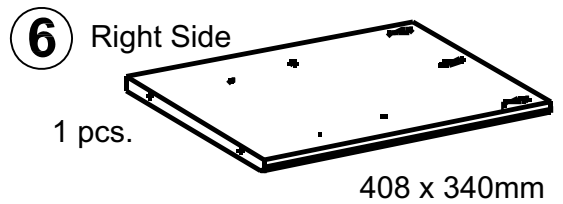
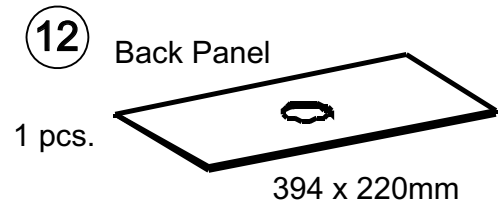
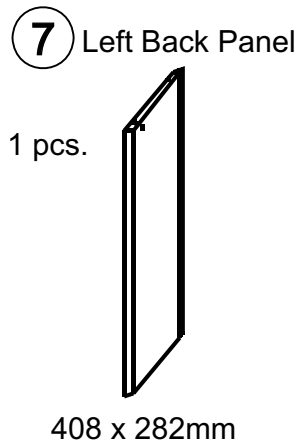
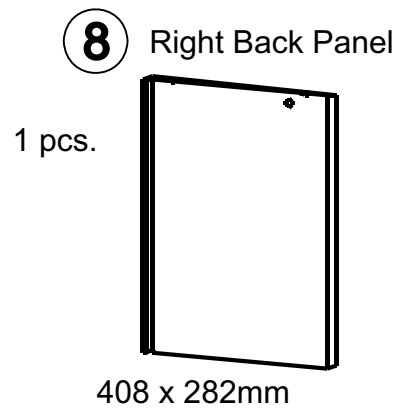
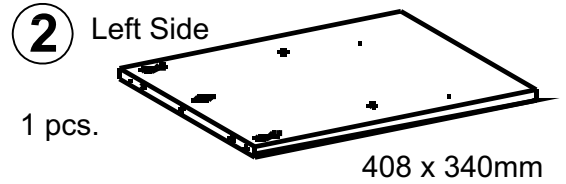
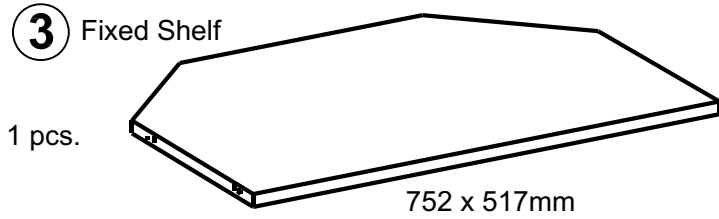
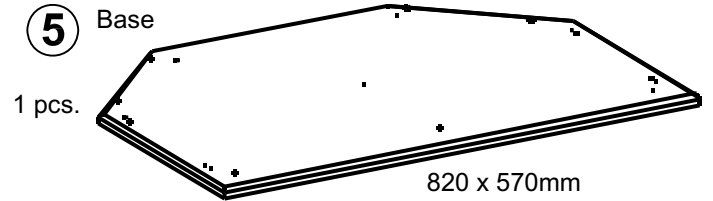
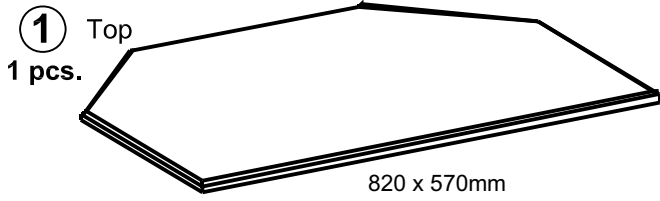
Hazard Warning !

Keep small components out of the reach of children.

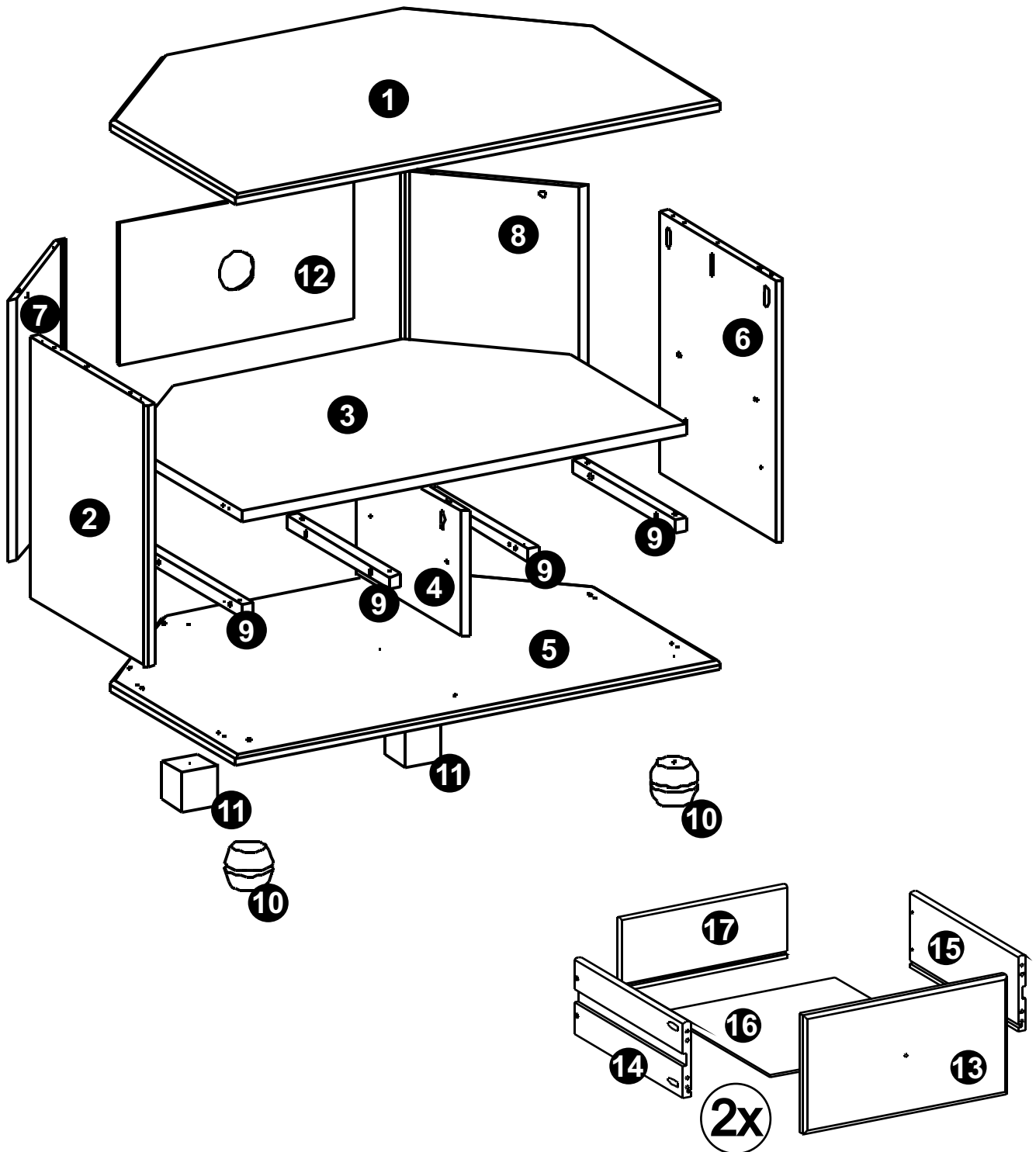
Tools needed.



Wooden parts contained in the box.



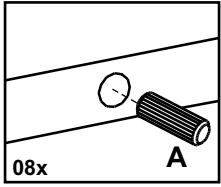
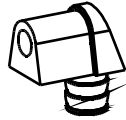
Key diagram.



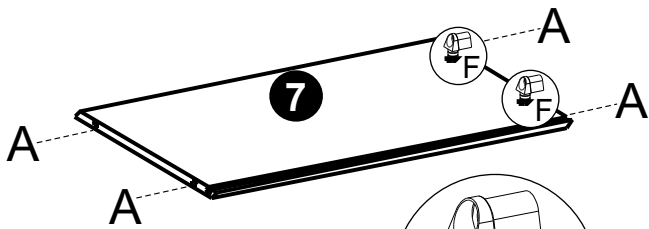
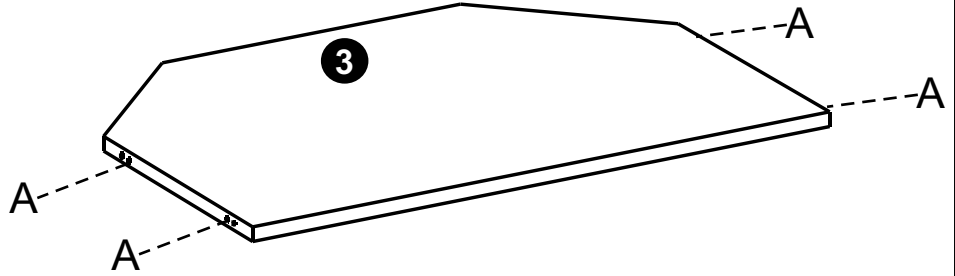
1. Start to Assembly.

Place dowels (A) and parts (F) in the holes of the indicated parts.

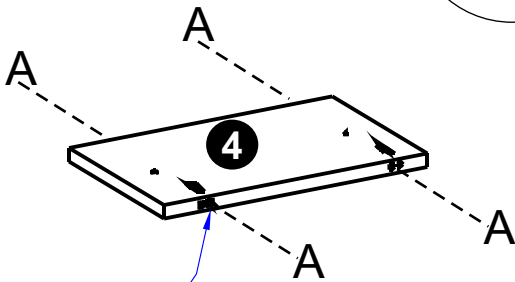
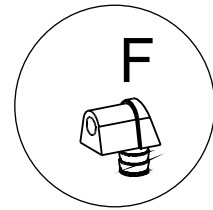
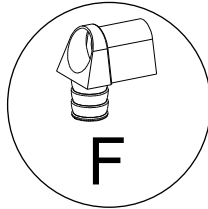
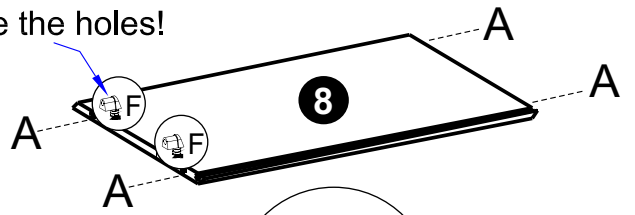
(F) 04 pcs.



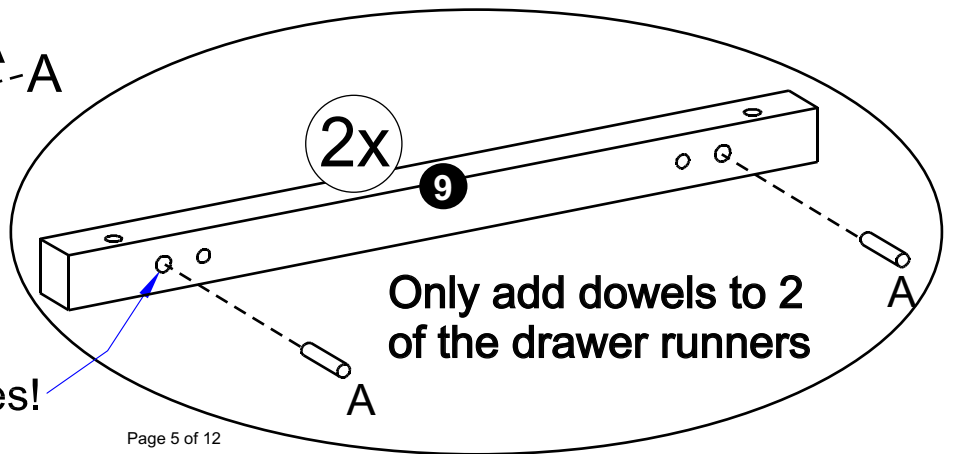
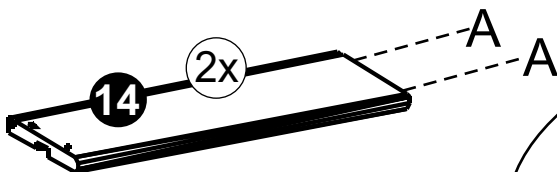
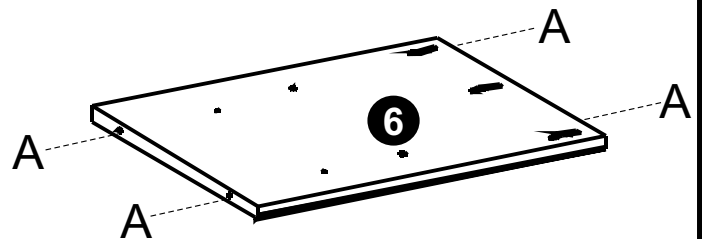
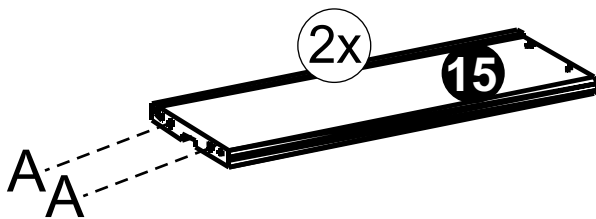
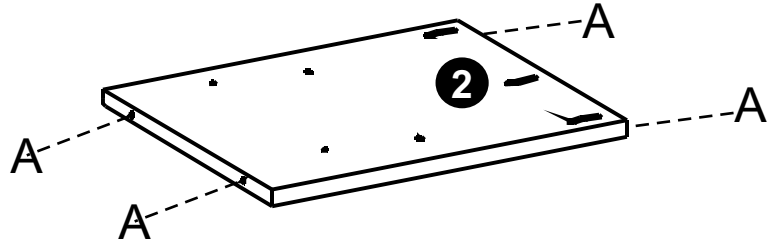
(A) 36 pcs.



Note the holes!



Note the holes!

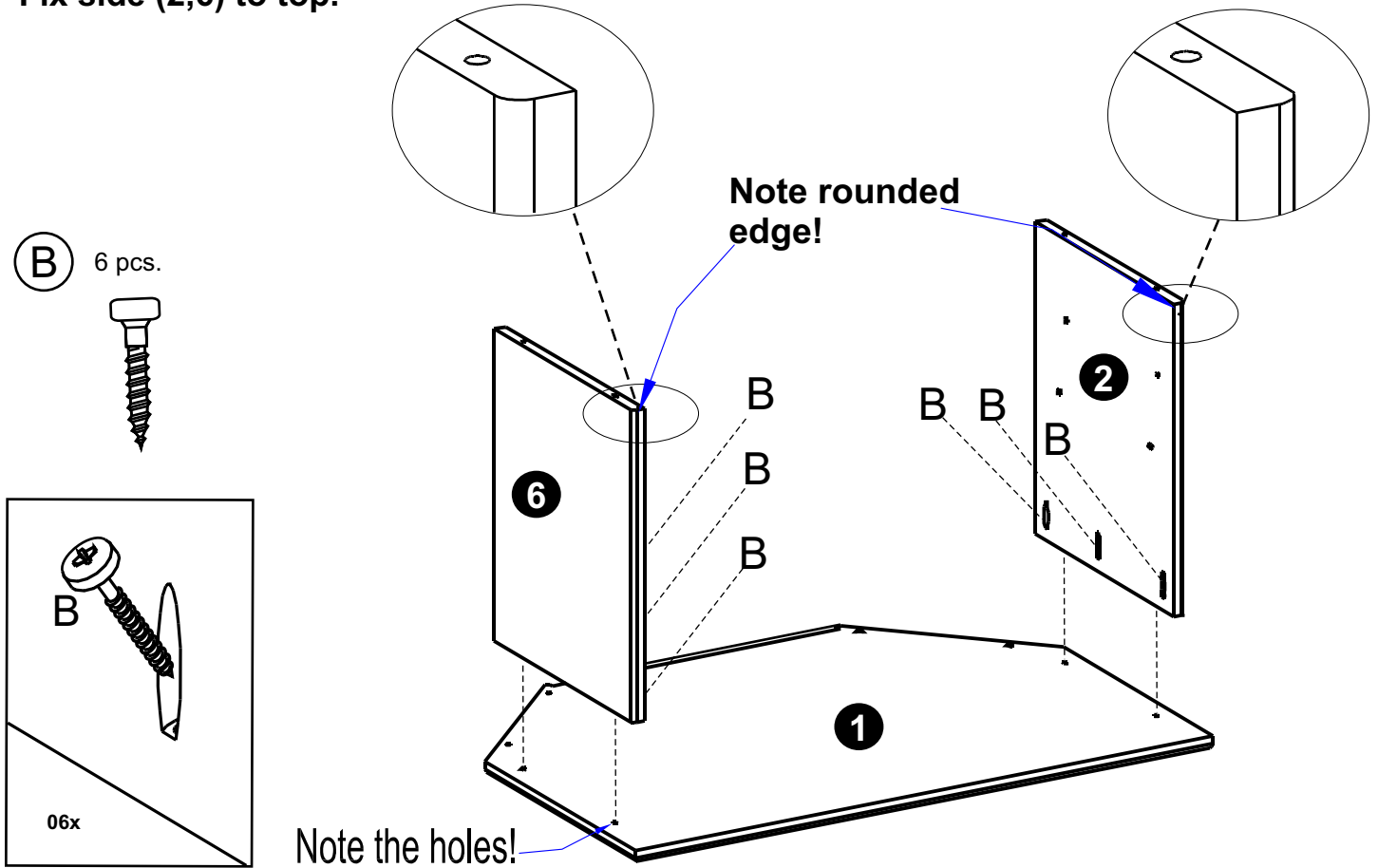


Only add dowels to 2 of the drawer runners

Note the holes!

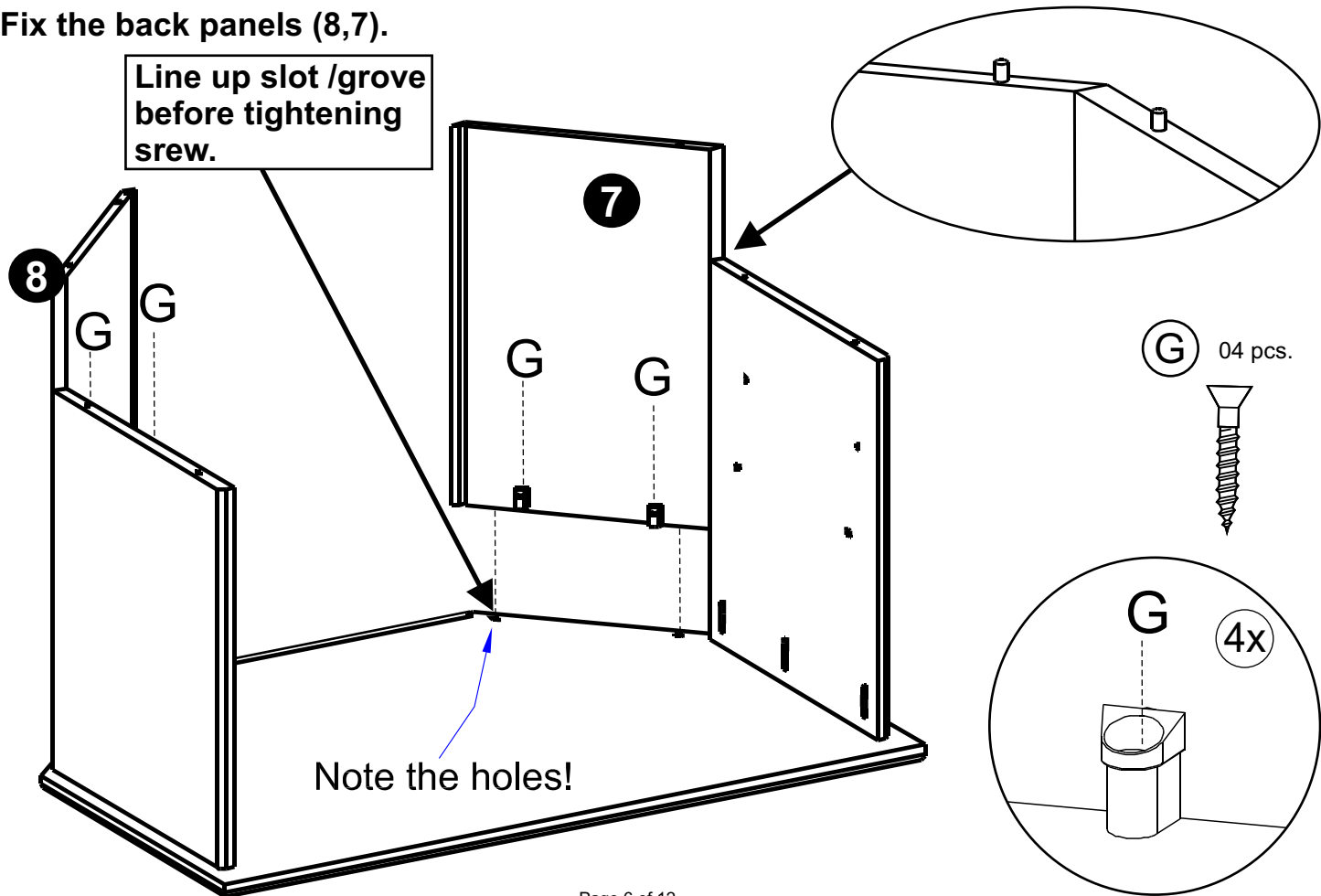
2. Assembly sides (6,2) in top (1).

Fix side (2,6) to top.



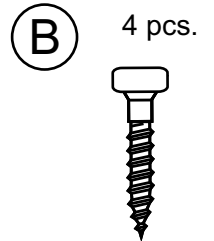
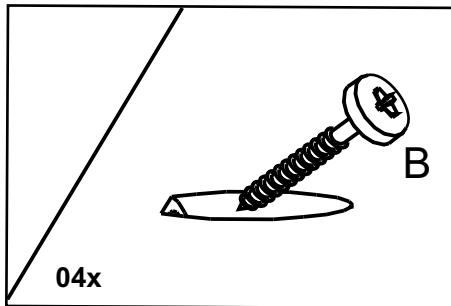
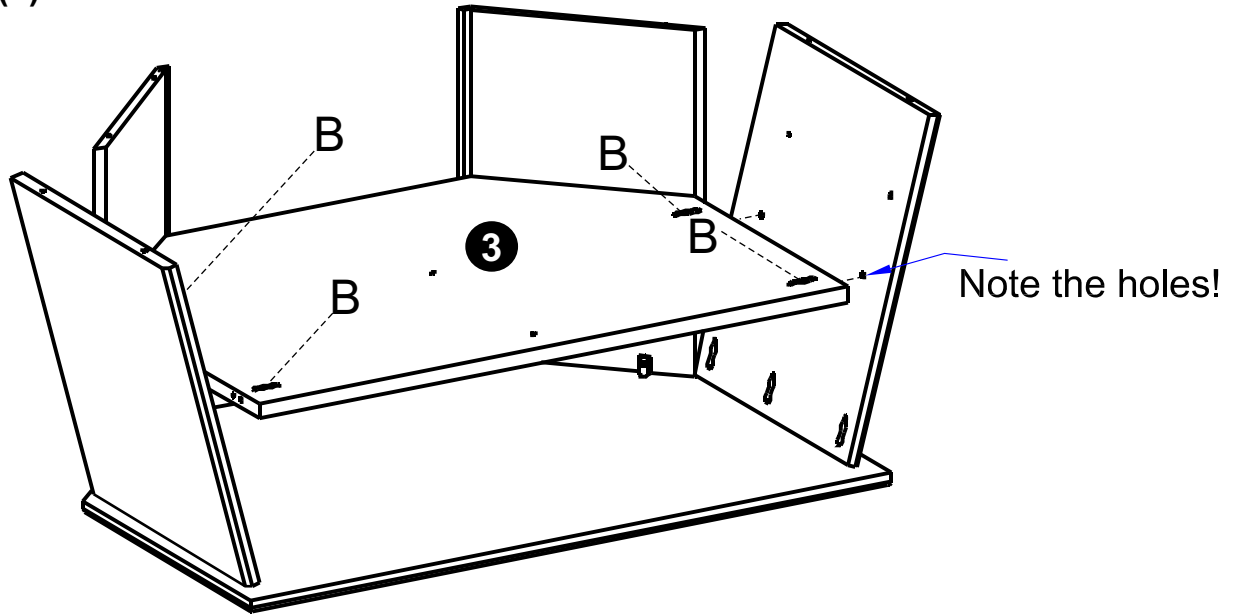
3. Fix the back panels.

Fix the back panels (8,7).



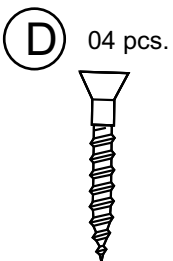
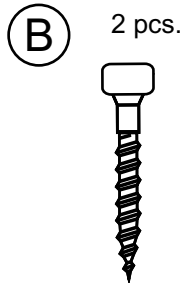
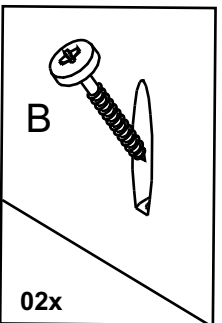
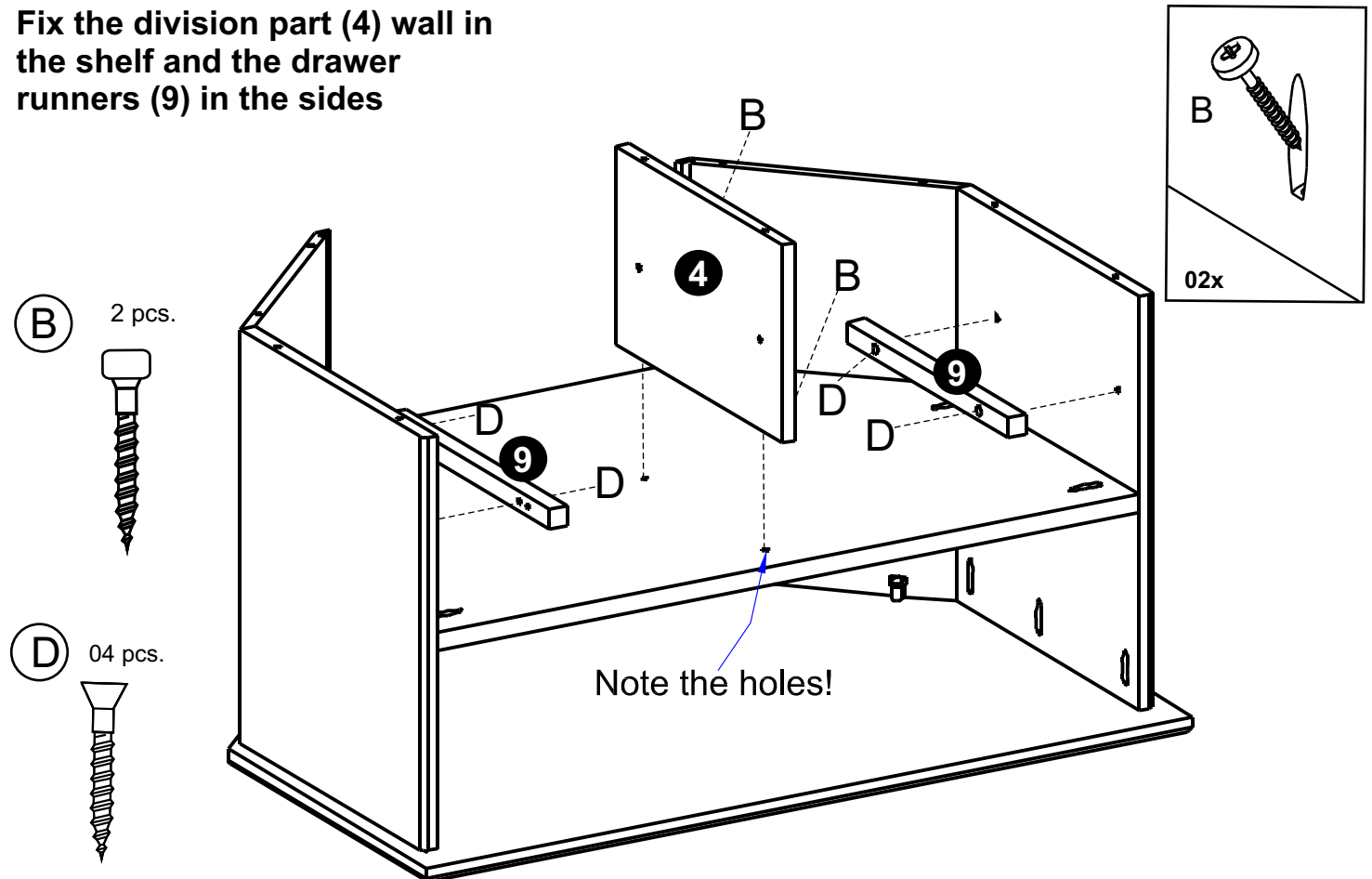
4. Fix the shelf.

Fix the shelf (3) to the sides.



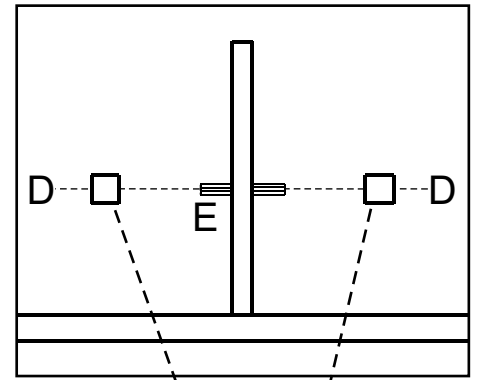
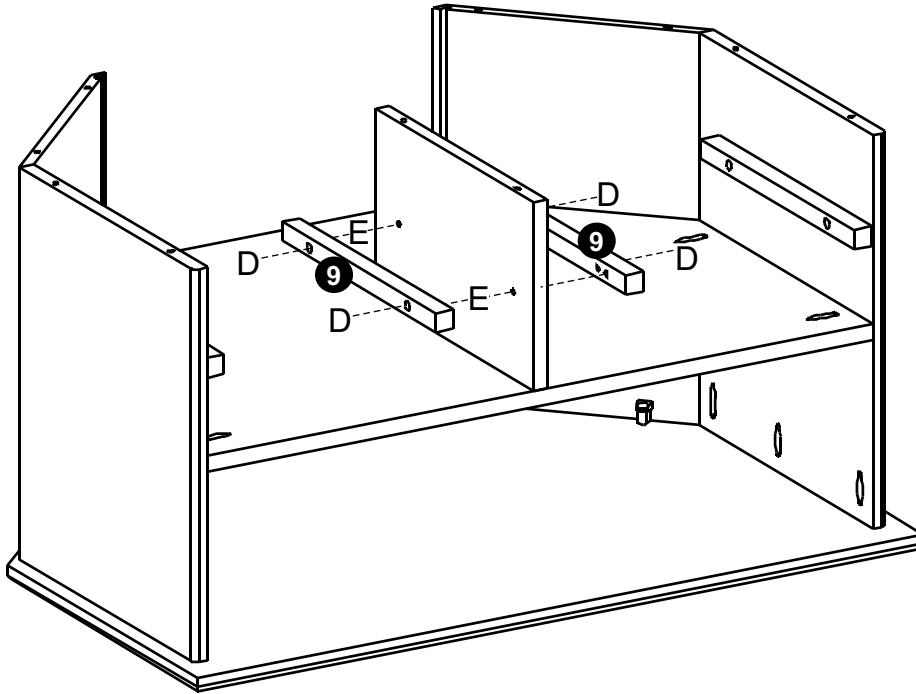
5. Fix the division part (4) and the drawer runner.

Fix the division part (4) wall in the shelf and the drawer runners (9) in the sides



6. Fix the drawer runners in the division part.

Place dowels (E) in the division part then fix the drawer runners (9).



**Attention the holes!
To face down**

(D) 4 pcs.

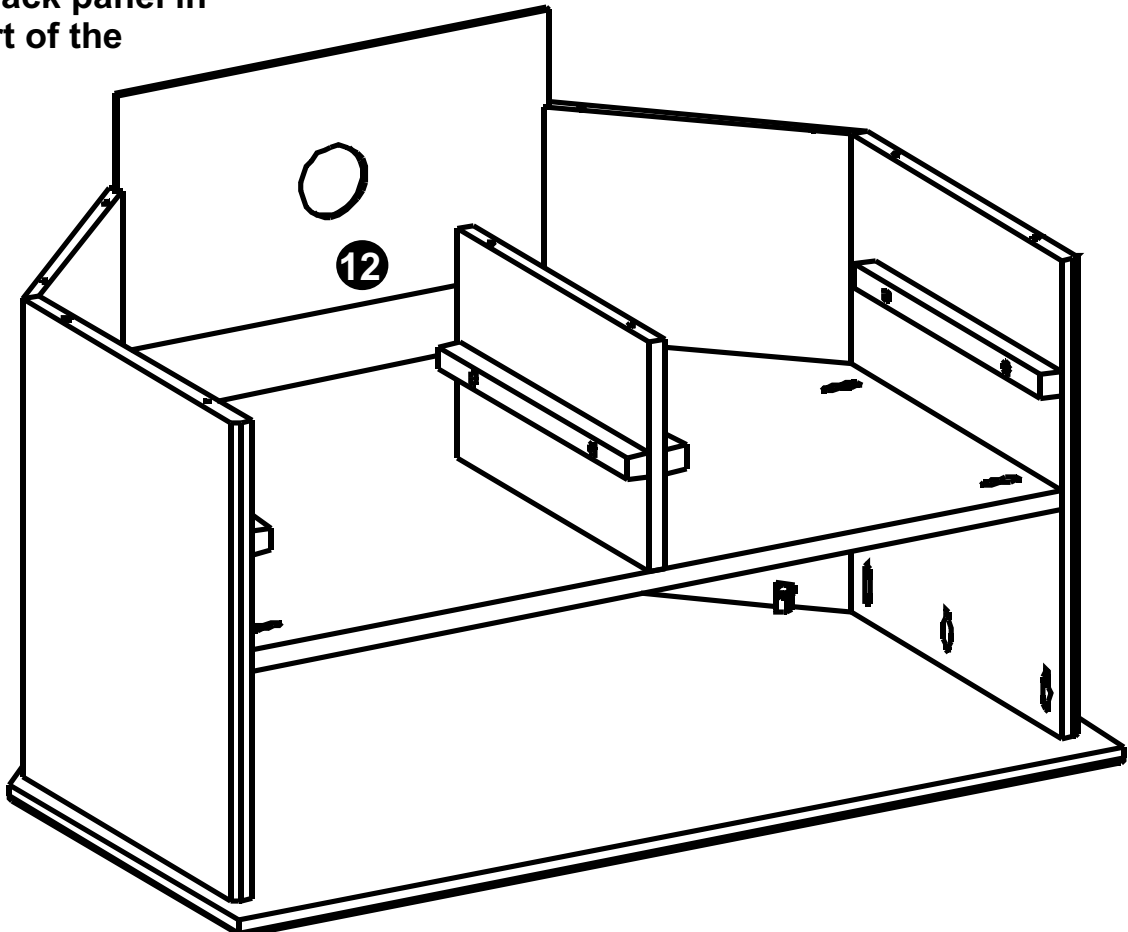


(E) 2 pcs.



7. Places the back panel.

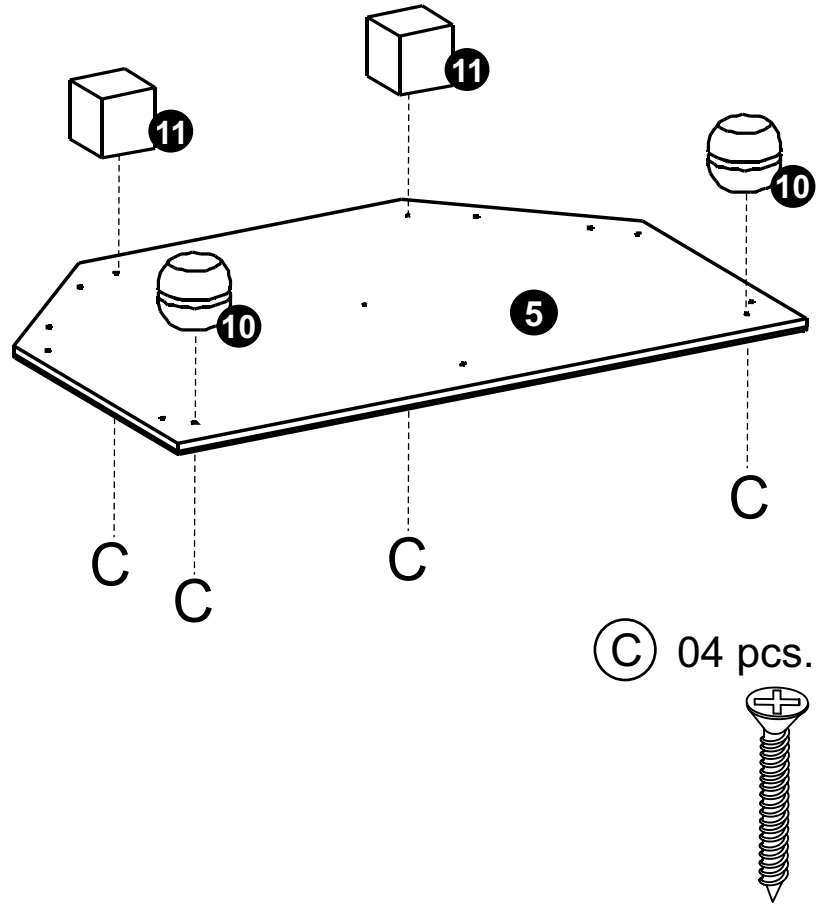
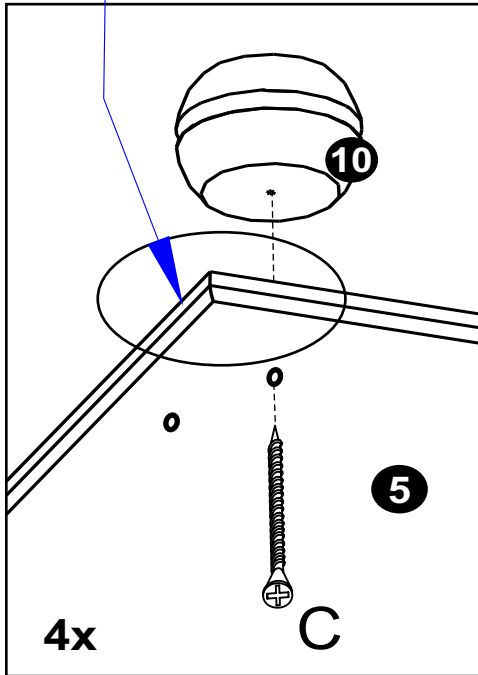
Places the back panel in the back part of the furniture.



8. Fix the Feet.

Fix the feet (10,11) in the base.

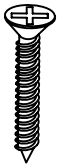
Note rounded edge!



9. Fix the base.

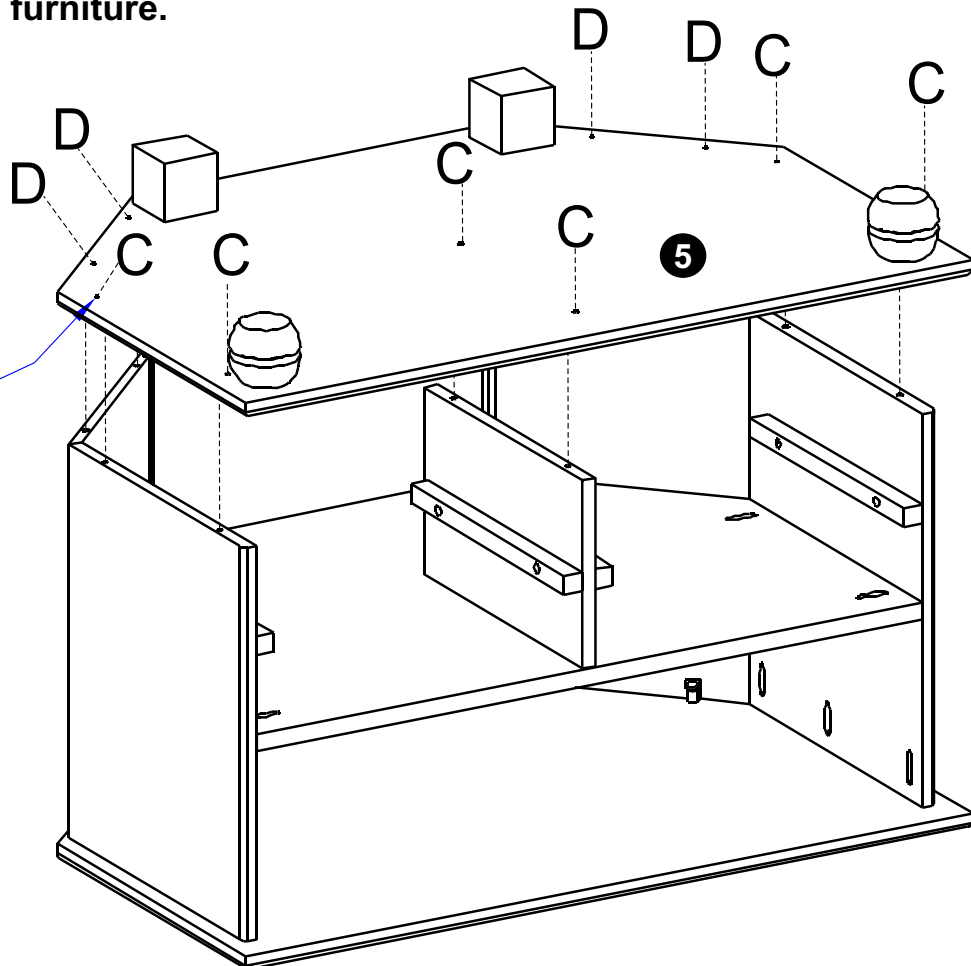
Fix the base (5) in furniture.

(D) 04 pcs.

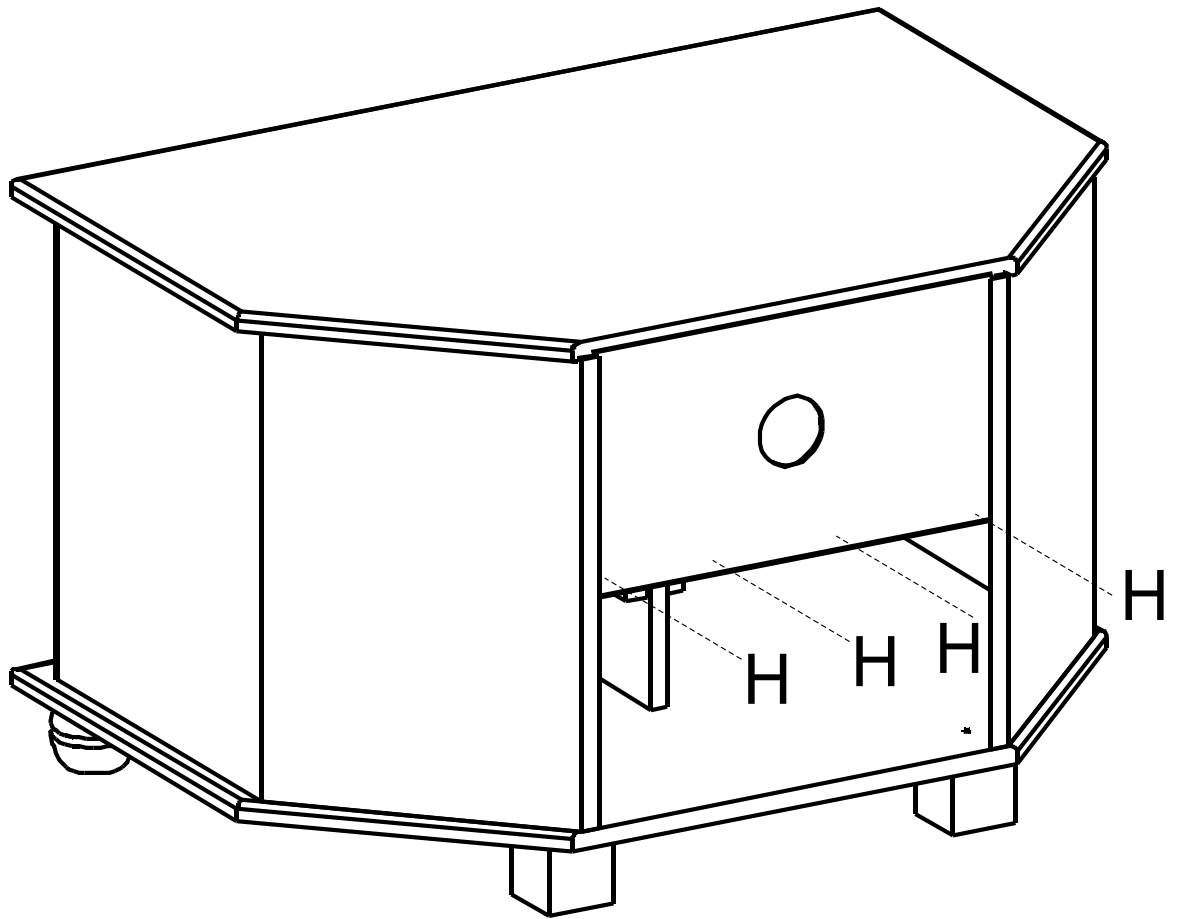


Note the holes!

(C) 06 pcs.



10. Nail the back panel in the furniture.



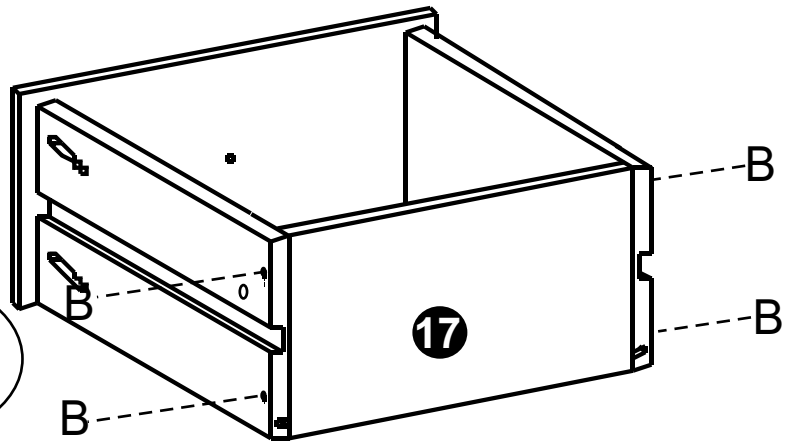
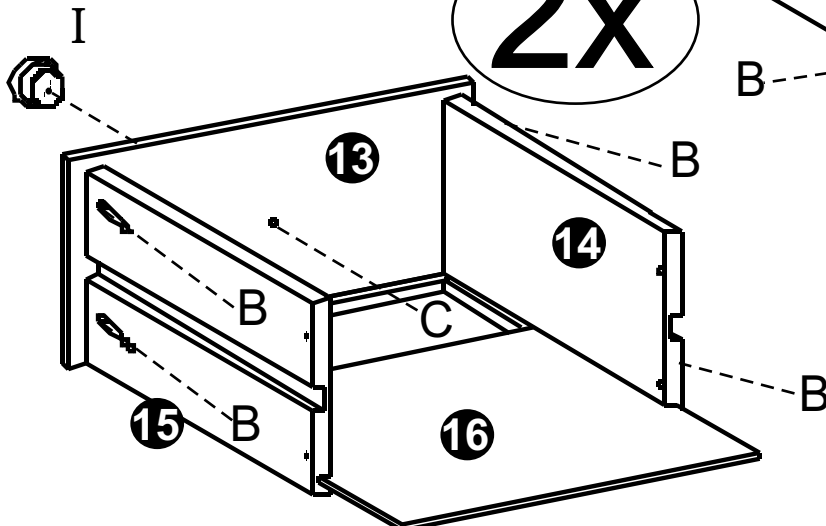
(H) 4 pcs.



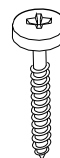
11. Assemble the drawers.

Assemble the sides (14,15) in the drawer front (13).

(I) 02 pcs.



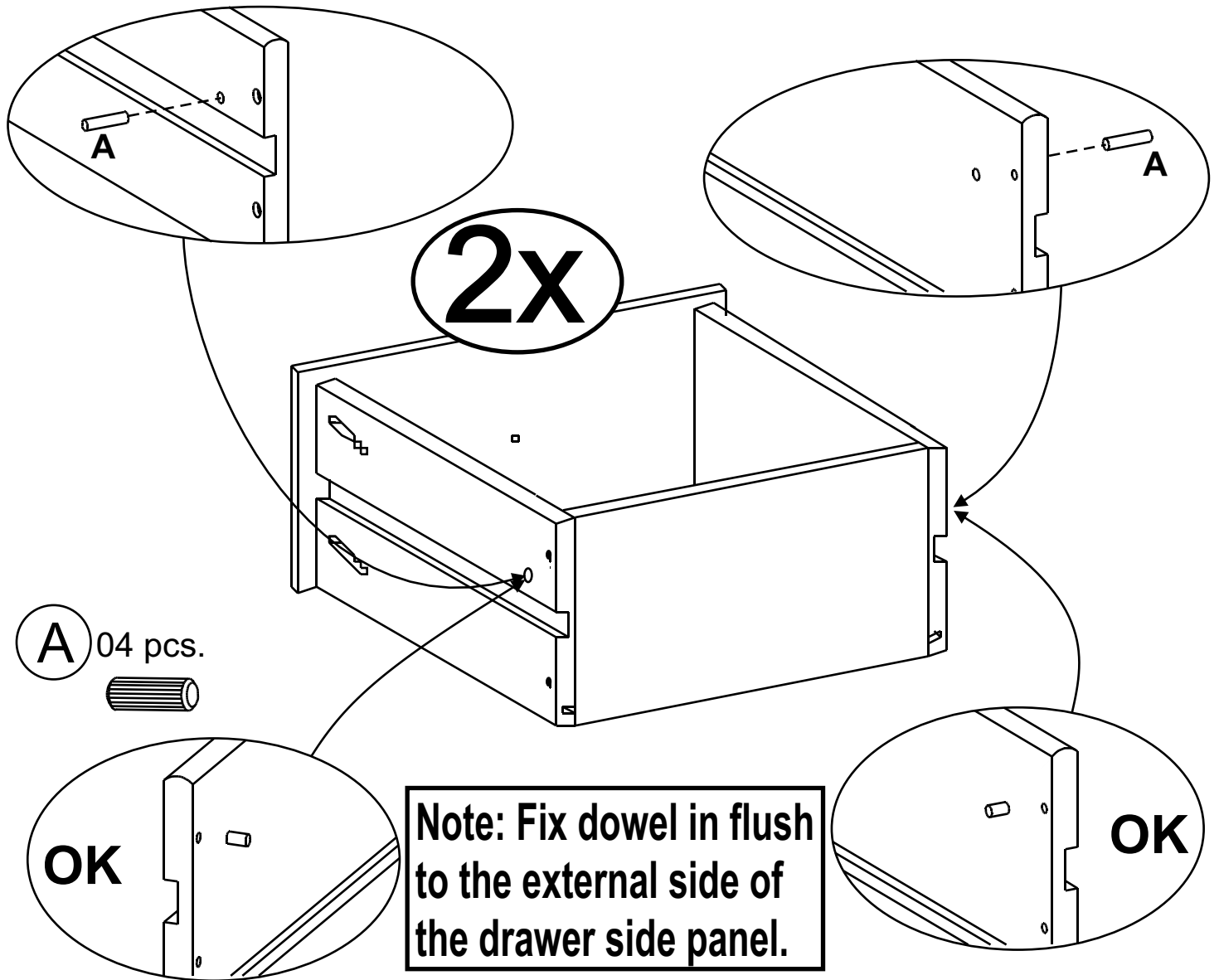
(B) 16 pcs.



(C) 2 pcs.

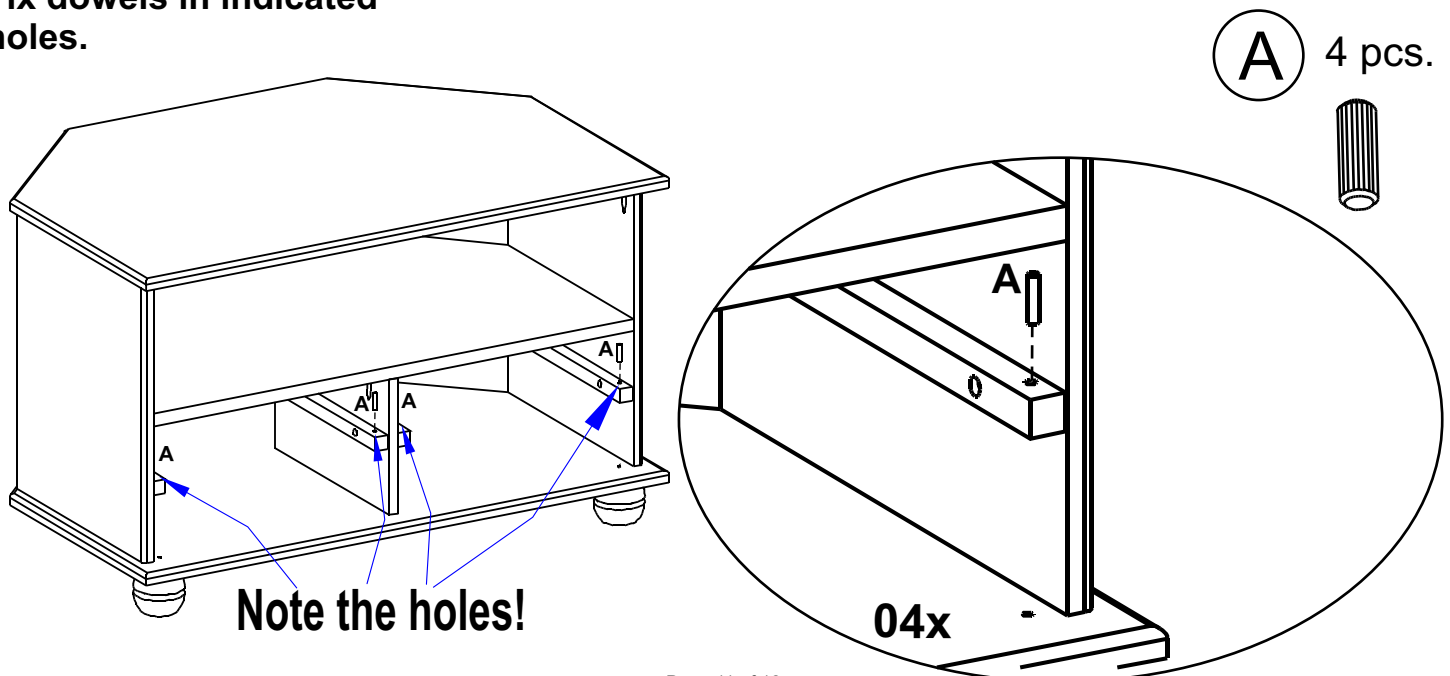


12. Fix dowels in the drawer sides.



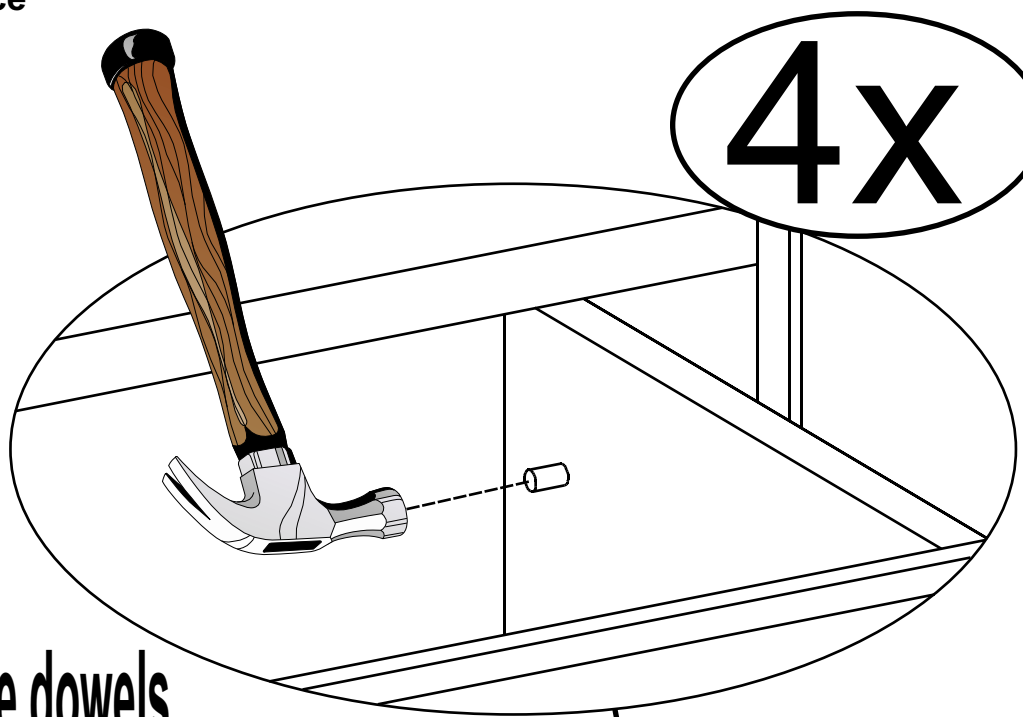
13. Fix dowels in the drawer runner.

Fix dowels in indicated holes.



14. Fix the drawers.

Slide drawers in to place
and push the dowel in
from the side.



**Attention the dowels
in the drawers!**

