

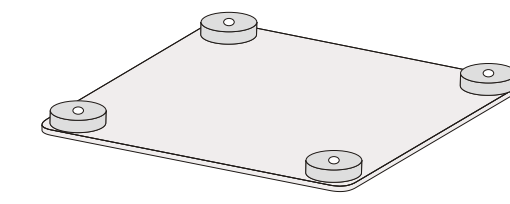
Components

Assembly Instructions

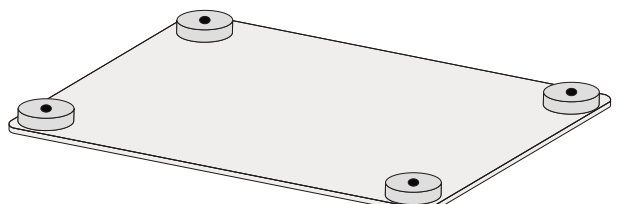
Assembly Instructions

Stage 1 - Fitting Metal Rod B & Metal Tube C

Stage 2 - Fitting Feet D & Metal Rod F



A Top Glass Shelf x 1



E Top Glass Shelf x 1



B Metal Rod x 4



F Metal Rod x 4



C Metal Tube x 4



G Metal Tube x 4



D Metal Feet x 8

fig 1

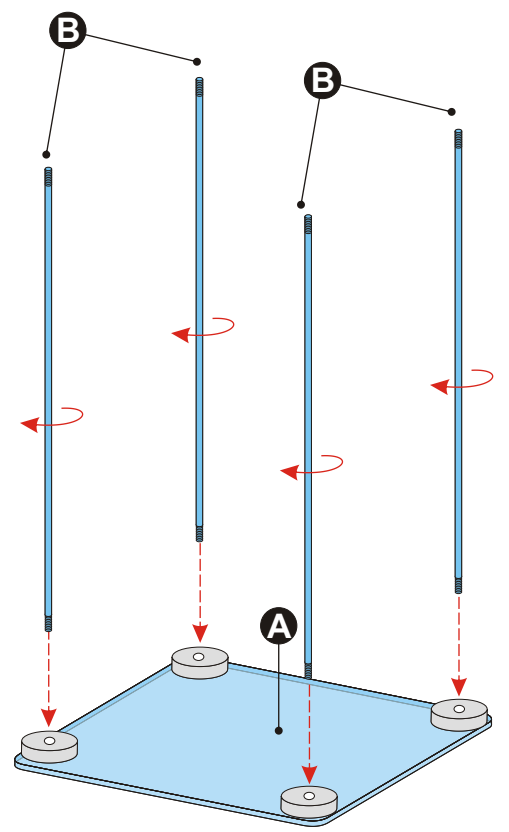


fig 2

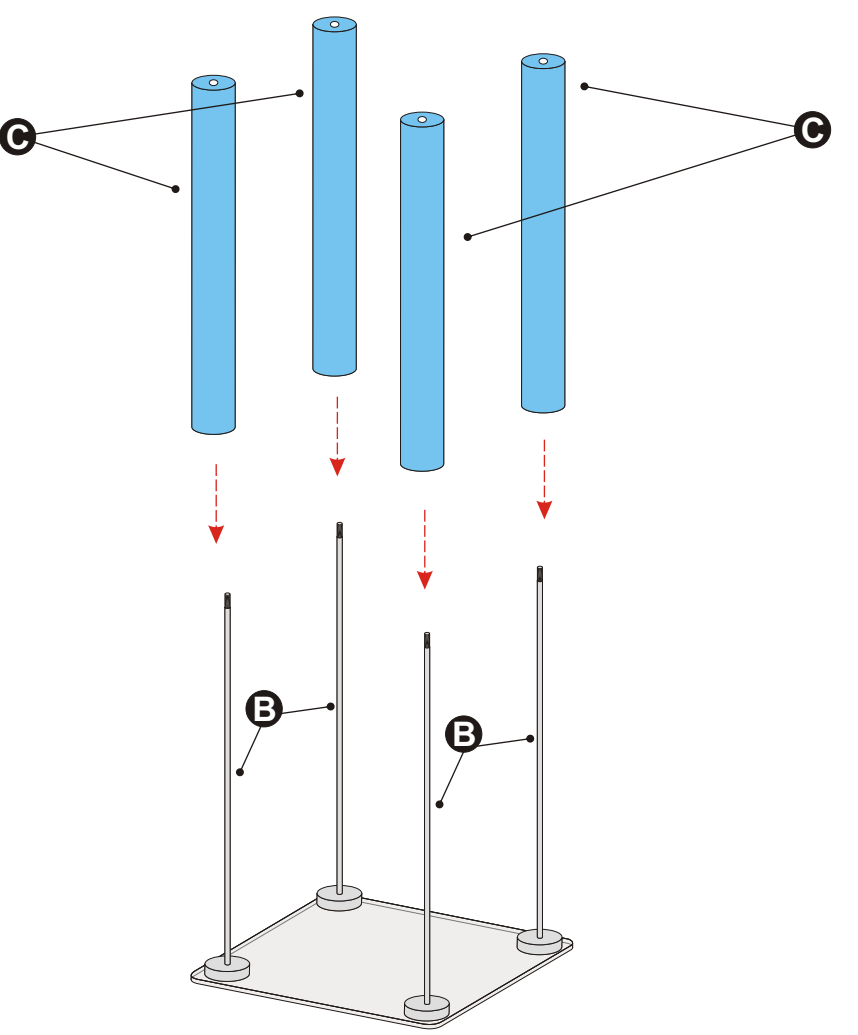


fig 3

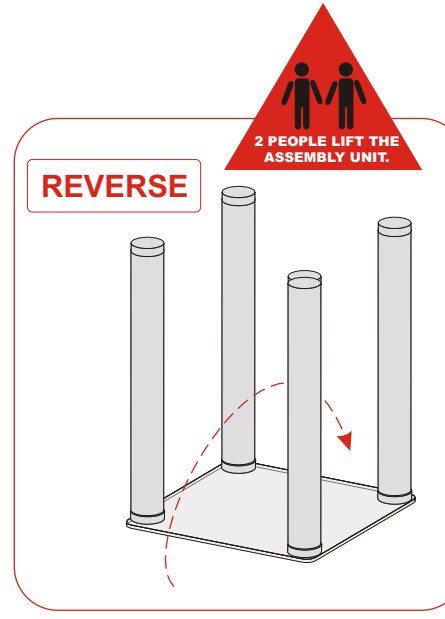
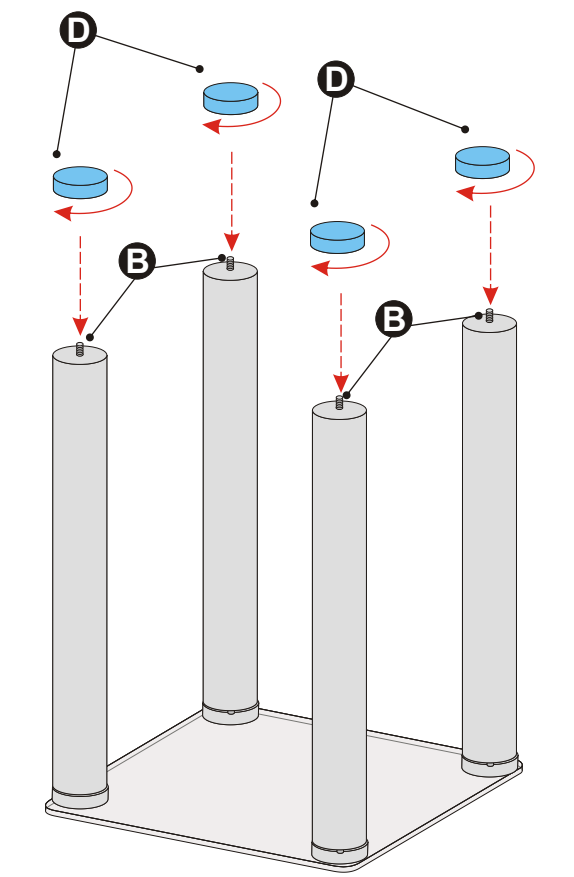
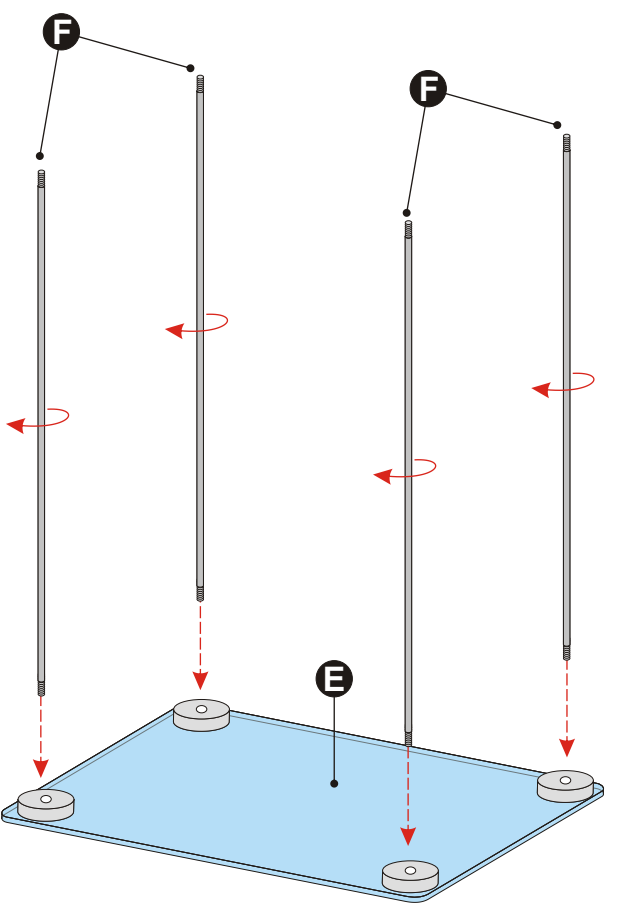


fig 4



Assembly Instructions

Stage 3 - Fitting Metal tube G & Feet D

fig 5

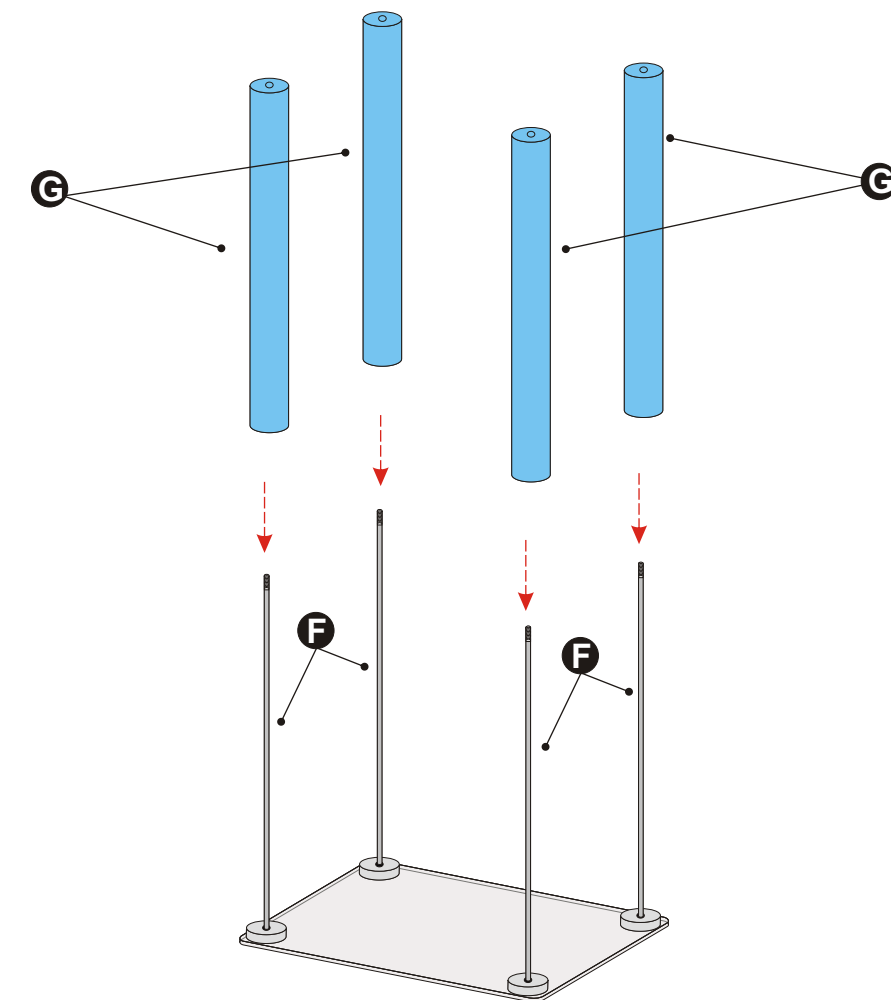
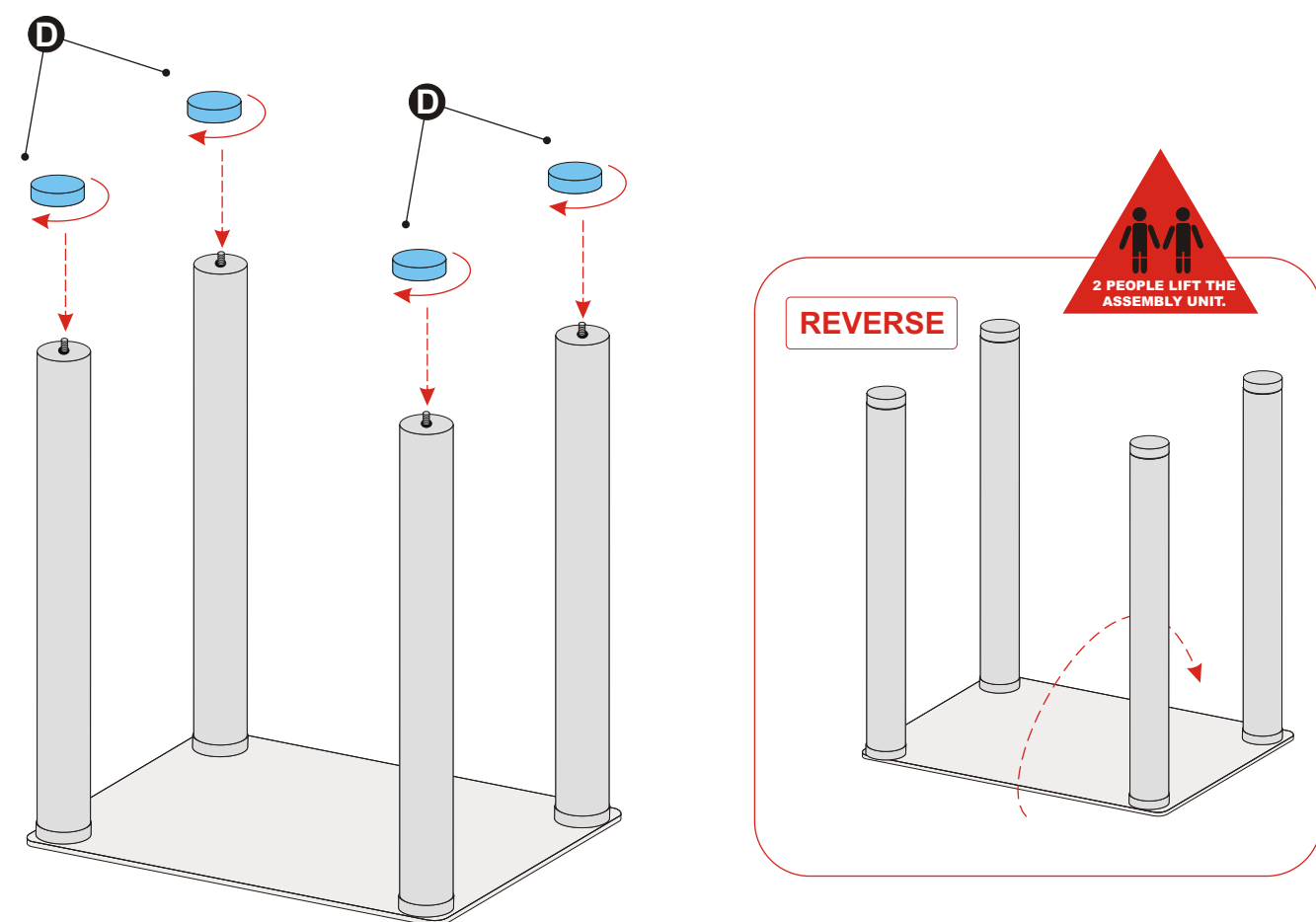


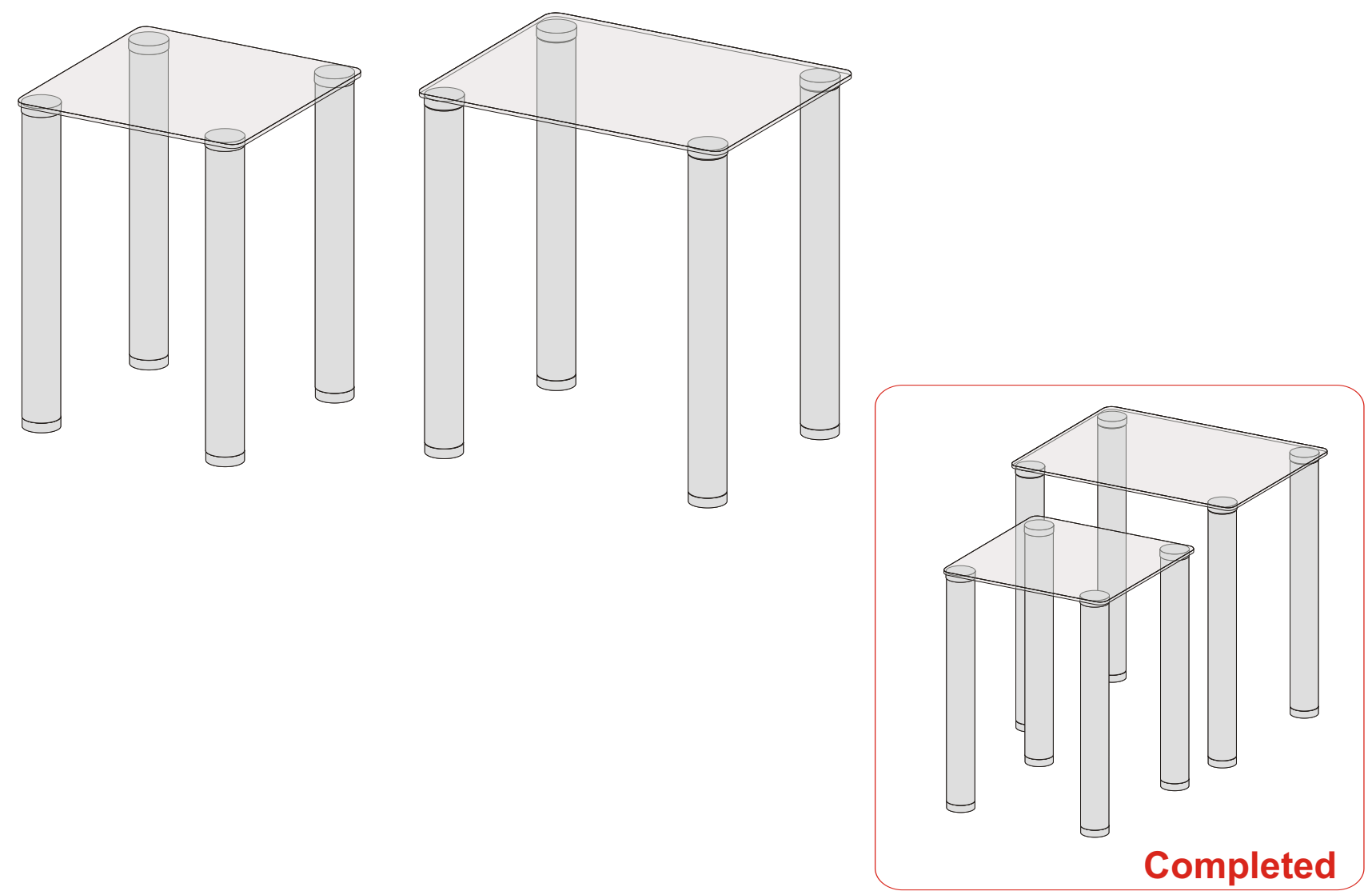
fig 6



Assembly Instructions

Stage 4 - Completed

fig 7



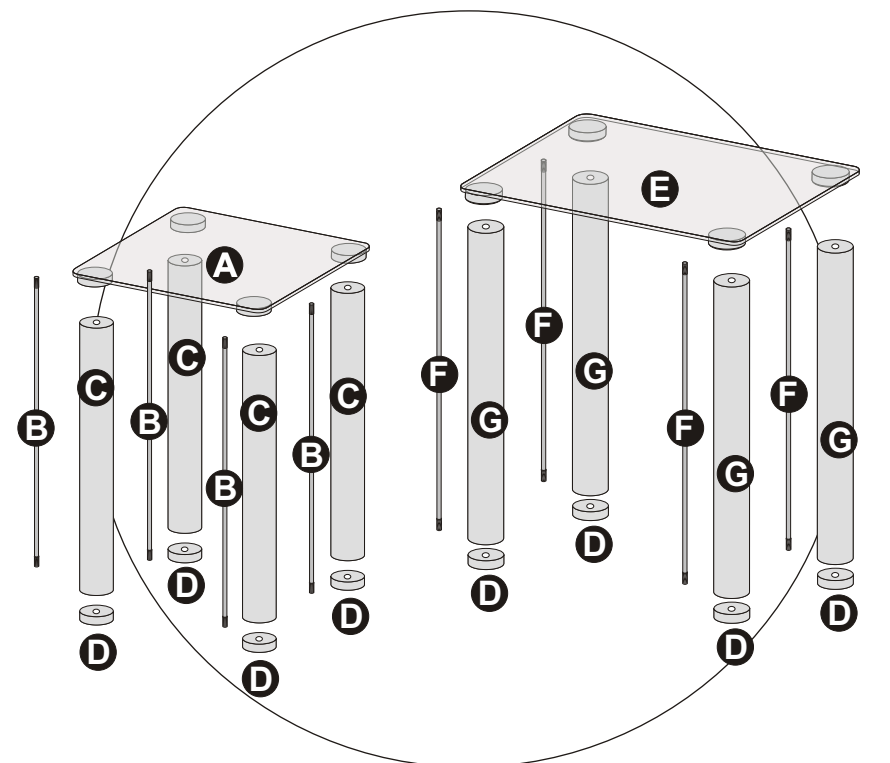
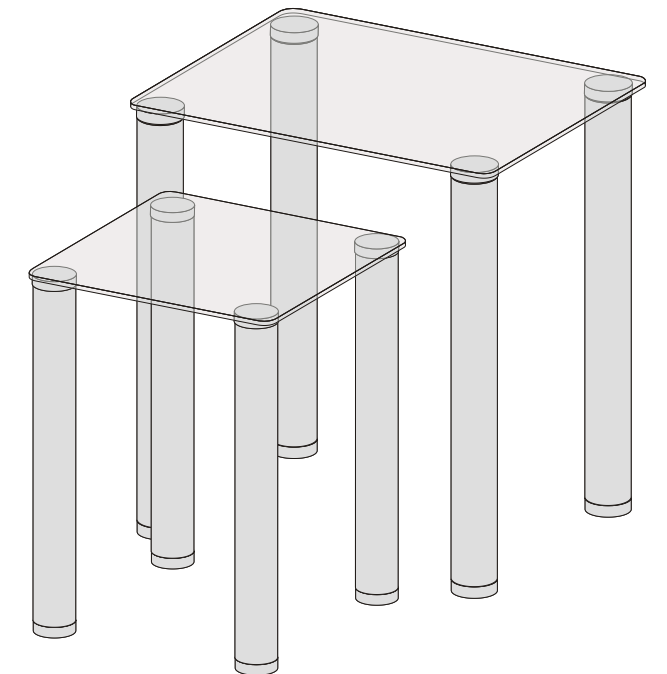
Care and Maintenance

Cleaning
Clean all surfaces with a damp cloth and mild detergent. Please do not use bleach or abrasive products.

Fitting
From time to time check to ensure the screws and legs remain rigid.

MATRIX GLASS NEST

Simplified Assembly Instructions - Please keep for future reference



IMPORTANT

1. Read these instructions carefully and familiarise yourself with the procedures before assembling the unit.
2. Check that you have all the component parts. Follow the list on the back cover and familiarise yourself with each part before proceeding.
3. Take all the fittings out of the plastic bag and separate them into their groups.
4. Ensure you have enough space to lay out all parts before assembly.
5. To avoid scratches. It is recommended that you assemble the unit on a soft leveled surface.

WARNING

- Do not place very hot or cold items on the glass surface(s) unless adequately thick table mats are used to prevent such items from coming into contact with the glass.
- Do not sit or stand upon the glass surface(s).
- Do not use the glass as a chopping surface. Do not strike the glass with hard or pointed items.
- When cleaning glass panels use a damp cloth or leather with washing up liquid or soft soap if necessary; do not use washing powders or any other substances containing abrasives since these substances scratch glass.

Marking BS 7376:2004 on or in relation to a product represents a manufacturer's declaration of conformity i.e. a claim by or on behalf of the manufacturer that the product meets the requirements of the standard. The accuracy of the claim is therefore solely the responsibility of the person making the claim. Such a declaration is not to be confused with third party certification of conformity, which may also be desirable.

Instructions for BS 7376 for products (tables or trolleys) which include glass

KEEP THESE INSTRUCTIONS FOR FUTURE REFERENCE

BS 7376: 2004 Fragmentation Test
Argos plc
489-499 Avebury Boulevard
Central Milton Keynes
MK9 2NW

Product Name : 6091910 (Clear Glass) / 6091903 (BLACK Glass)
Batch Number :
Date of Manufacture : April 2009

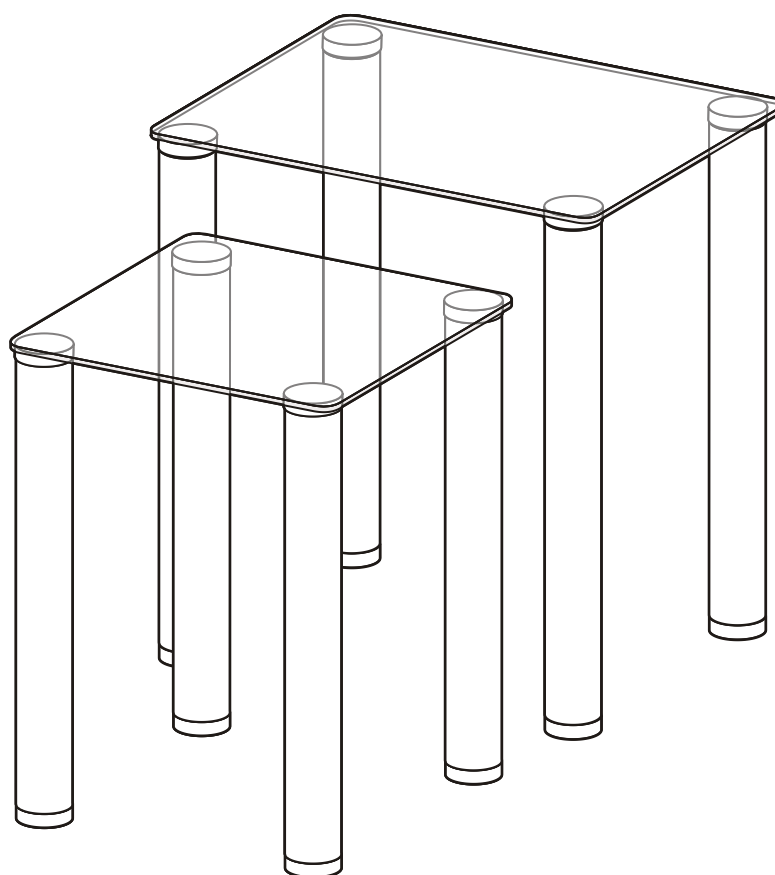
If the glass is chipped or broken stop using the product and consult the manufacturer or supplier

Matrix - Glass Nest Table

Assembly Instructions - Please keep for future reference

609/1903

609/1910



Small dimensions

Width - 33cm
Depth - 33cm
Height - 45cm

Large dimensions

Width - 45cm
Depth - 35cm
Height - 50cm

Important - Please read these instruction fully before starting assembly

If you need help or have damaged or missing parts, call the **Customer Helpline: 08456 400800**



Safety and Care Advice

Important - Please read these instructions fully before starting assembly

- Check you have all the components and tools listed on pages 2.
- Remove all fittings from the plastic bags and separate them into their groups.
- Keep children and animals away from the work area, small parts could choke if swallowed.
- Make sure you have enough space to layout the parts before starting.

- Do not stand or put weight on the product, this could cause damage.
- Assemble the item as close to its final position (in the same room) as possible.
- Assemble on a soft level surface to avoid damaging the unit or your floor.
- Parts of the assembly will be easier with 2 people.



- We do not recommend the use of power drill/drivers **for inserting screws**, as this could damage the unit. Only use hand screwdrivers.
- Dispose of all packaging carefully and responsibly.

Care and maintenance

- Only clean using a damp cloth and mild detergent, do not use bleach or abrasive cleaners.
- From time to time check that there are no loose screws on this unit.
- This product should not be discarded with household waste. Take to your local authority waste disposal centre.

Keep These Instructions For Future Reference

- This product complies with BSEN 12521:2009
- Argos plc
489-499 Avebury Boulevard
Central Milton Keynes
MK9 2NW
- Batch No./Date of manufacture:

Warning

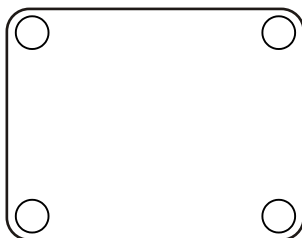
- Do not place very hot or very cold items against or in close proximity to glass surfaces unless an adequately thick insulating material is used to prevent such items from coming into contact with the glass.
- Do not sit or stand upon the glass surface(s).
- If a glass component is chipped or broken, stop using the product and consult the manufacturer or supplier.
- Do not use the glass as a chopping surface. Do not strike the glass with hard or pointed items.

Components - Panels

Please check you have all the panels listed below



1 Metal rod x 4
(0.7x 48.6 cm)



2 Top glass shelf x 1
(45 x 35 cm)



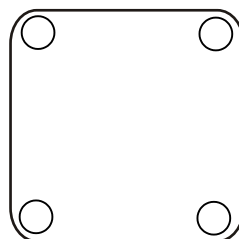
3 Metal tube x 4
(5.08 x 46.5 cm)



4 Feet x 8
(5.2 x 1.2 cm)



5 Metal rod x 4
(0.7 x 43.5 cm)



6 Top glass shelf x 1
(33 x 33 cm)



7 Metal tube x 4
(5.08 x 41.5 cm)

Ruler - Use this ruler to help correctly identify the screws



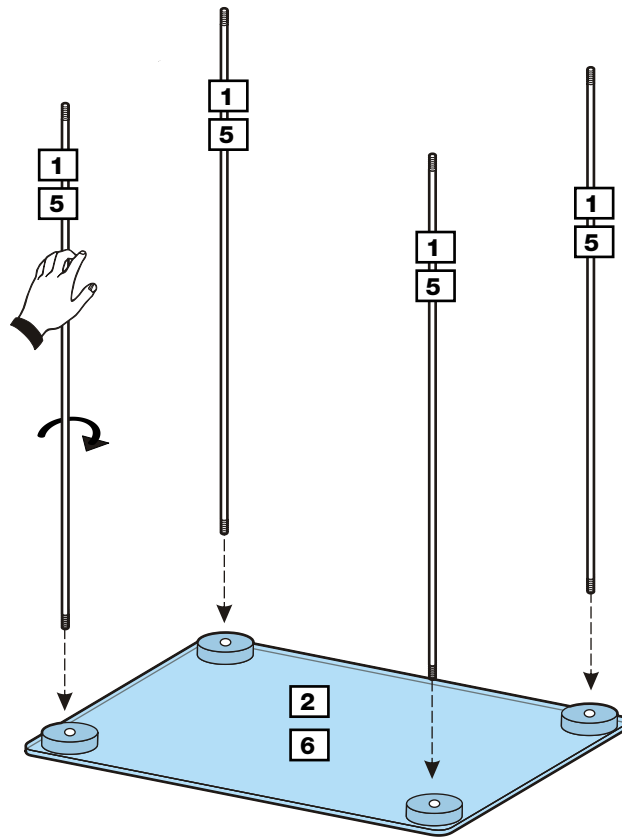
Assembly Instructions

Step 1 - Large Table

Attaching metal rods

Please attach the 4 pcs of metal rod **1** onto panel **2** as shown.

Metal rod **5** onto panel **6**.



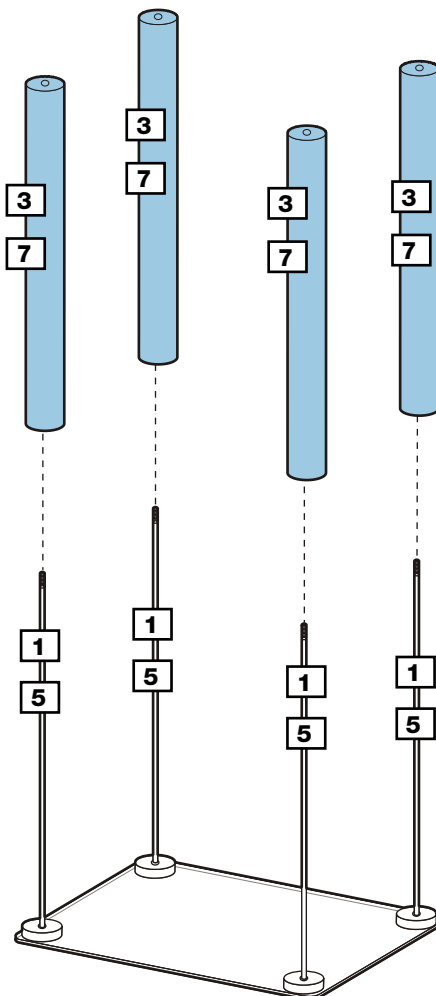
Step 2 - Large Table

Attaching metal tubes

Attach 4 pcs of metal tubes **3** through 4 pcs of metal rods **1** as shown.

Repeat this step for Small Table.

Metal tubes **7** through metal rods **5**.



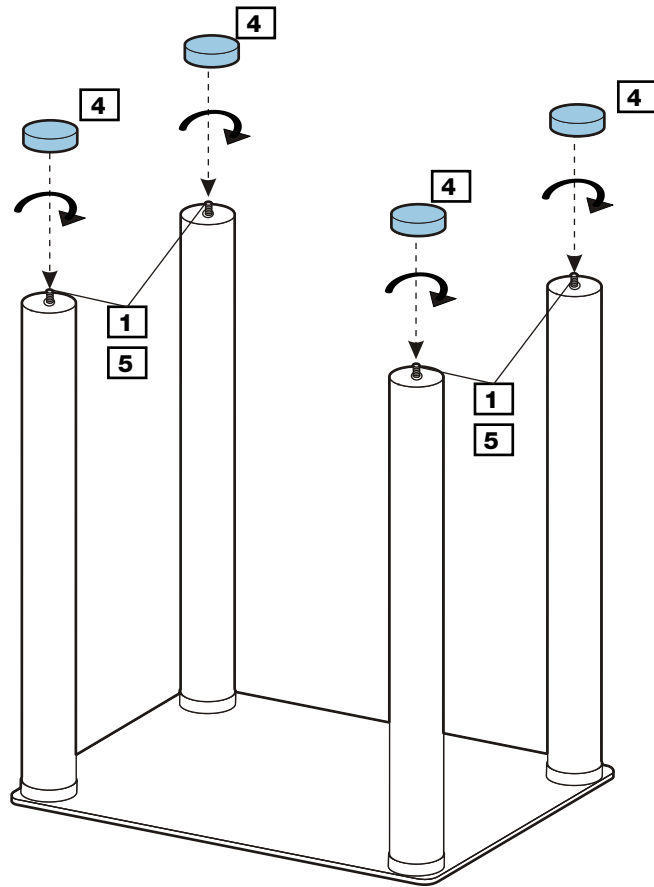
Assembly Instructions

Step 3 - Large Table

Attaching foot

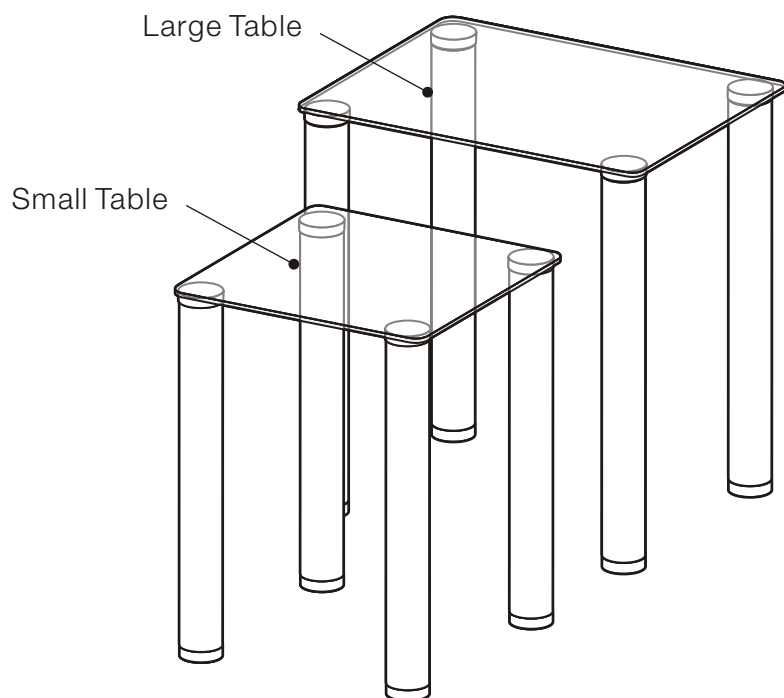
Finger tighten 4pcs of feet **4** onto the unit as shown.

Repeat this step for Small Table.



Step 4

Assembly is complete for Small Table and Large Table.



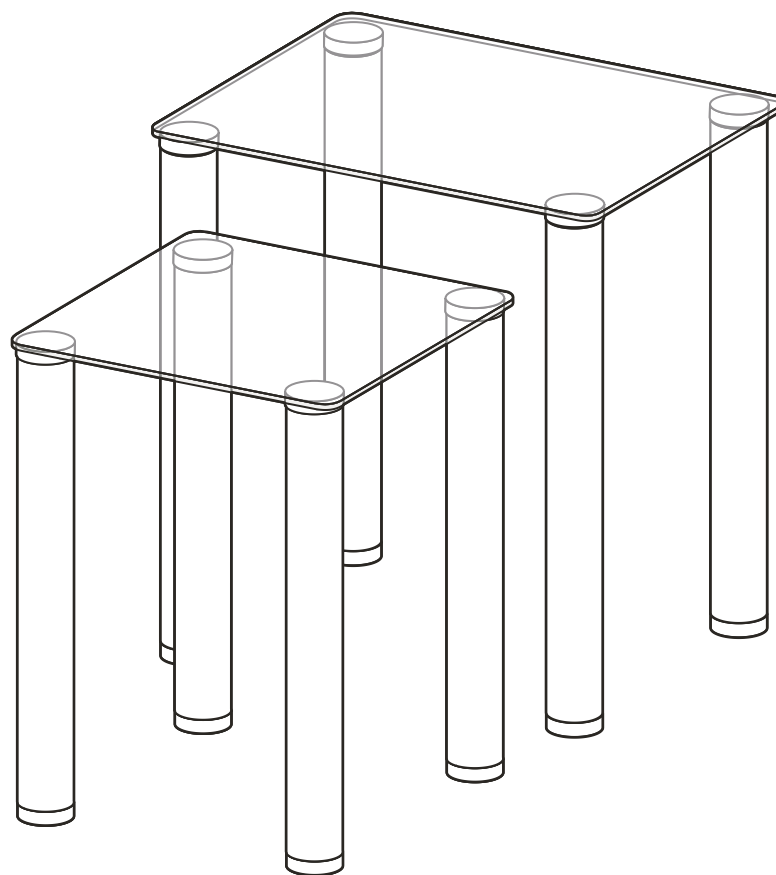
If you need help or have damaged or missing parts, call the Customer Helpline: 08456 400800

Matrix - Glass Nest Table

Assembly Instructions - Please keep for future reference

609/1903

609/1910



Small dimensions

Width - 33cm
Depth - 33cm
Height - 45cm

Large dimensions

Width - 45cm
Depth - 35cm
Height - 50cm

Important - Please read these instruction fully before starting assembly

If you need help or have damaged or missing parts, call the **Customer Helpline: 08456 400800**

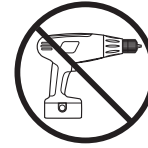


Safety and Care Advice

Important - Please read these instructions fully before starting assembly

- Check you have all the components and tools listed on pages 2.
- Remove all fittings from the plastic bags and separate them into their groups.
- Keep children and animals away from the work area, small parts could choke if swallowed.
- Make sure you have enough space to layout the parts before starting.

- Do not stand or put weight on the product, this could cause damage.
- Assemble the item as close to its final position (in the same room) as possible.
- Assemble on a soft level surface to avoid damaging the unit or your floor.
- Parts of the assembly will be easier with 2 people.



- We do not recommend the use of power drill/drivers for inserting screws, as this could damage the unit. Only use hand screwdrivers.
- Dispose of all packaging carefully and responsibly.

Care and maintenance

- Only clean using a damp cloth and mild detergent, do not use bleach or abrasive cleaners.
- From time to time check that there are no loose screws on this unit.
- This product should not be discarded with household waste. Take to your local authority waste disposal centre.

Keep These Instructions For Future Reference

- This product complies with BSEN 12521:2009
- Argos plc
489-499 Avebury Boulevard
Central Milton Keynes
MK9 2NW
- Batch No./Date of manufacture:

Warning

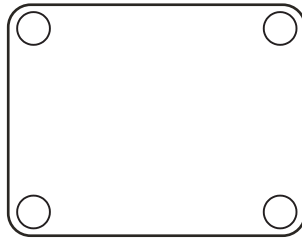
- Do not place very hot or very cold items against or in close proximity to glass surfaces unless an adequately thick insulating material is used to prevent such items from coming into contact with the glass.
- Do not sit or stand upon the glass surface(s).
- If a glass component is chipped or broken, stop using the product and consult the manufacturer or supplier.
- Do not use the glass as a chopping surface. Do not strike the glass with hard or pointed items.

Components - Panels

Please check you have all the panels listed below



1 Metal rod x 4
(0.7x 48.5 cm)



2 Top glass shelf x 1
(45 x 35 cm)



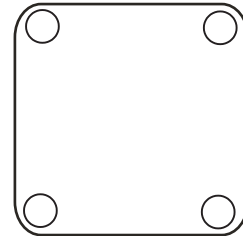
3 Metal tube x 4
(5.08 x 47 cm)



4 Feet x 8
(5.2 x 1.3 cm)



5 Metal rod x 4
(0.7 x 43.5 cm)



6 Top glass shelf x 1
(33 x 33 cm)



7 Metal tube x 4
(5.08 x 42 cm)



Ruler - Use this ruler to help correctly identify the screws



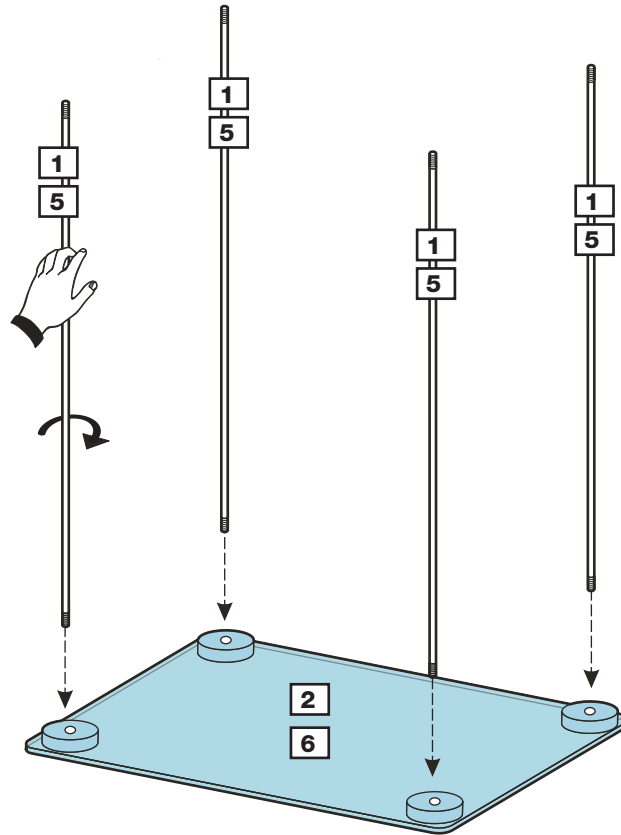
Assembly Instructions

Step 1- Large Table

Attaching metal rods

Please attach the 4pcs of metal rod **1** onto panel **2** as shown.

Metal rod **5** onto panel **6**.



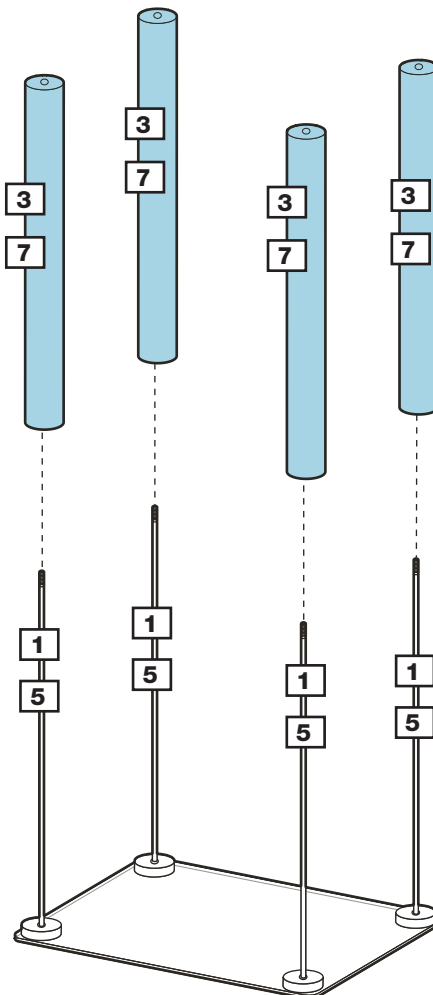
Step 2- Large Table

Attaching metal tubes

Attach 4 pcs of metal tubes **3** through 4 pcs of metal rods **1** as shown.

Repeat this step for Small Table.

Metal tubes **7** through metal rods **5**.



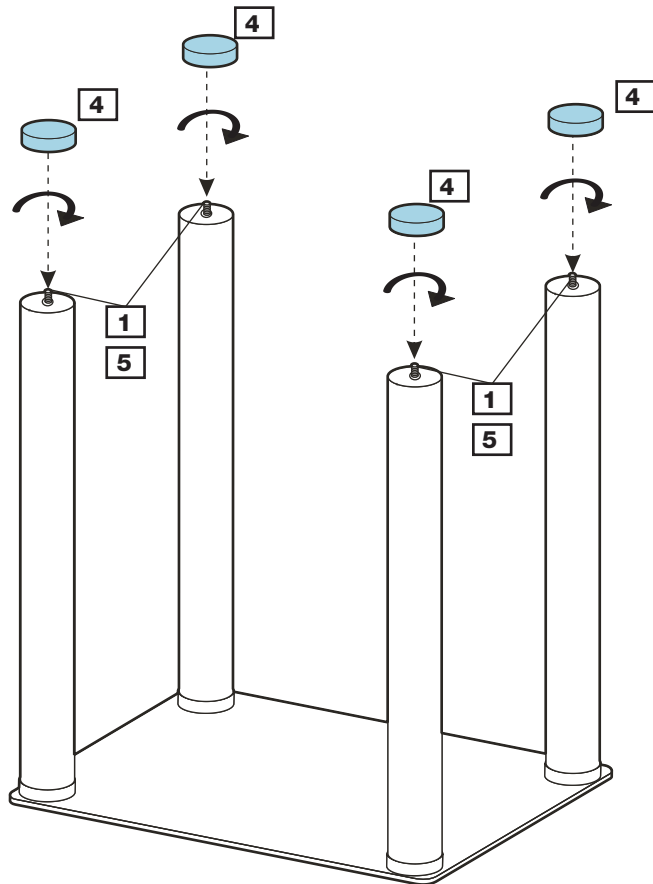
Assembly Instructions

Step 3 - Large Table

Attaching foot

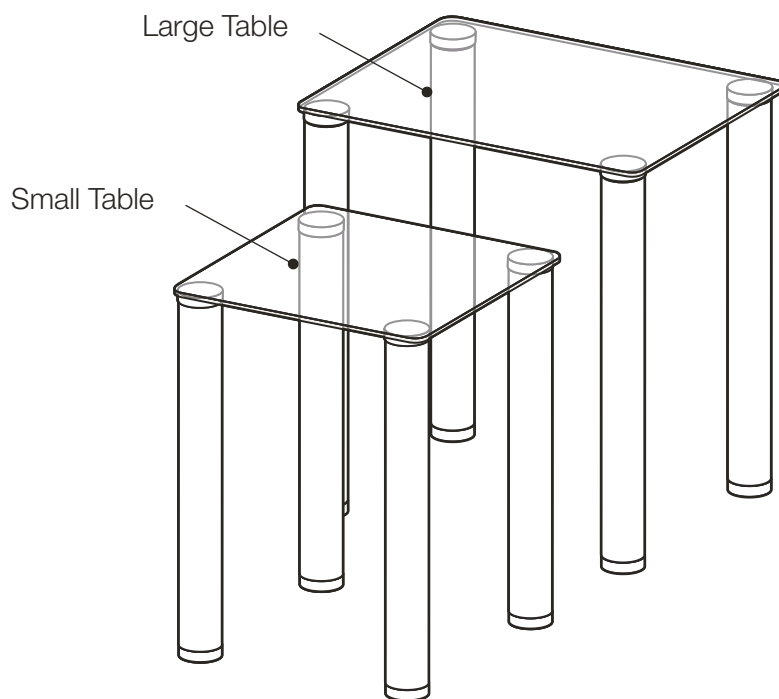
Finger tighten 4pcs of feet **4** onto the unit as shown.

Repeat this step for Small Table.



Step 4

Assembly is complete for **Small Table and Large Table.**



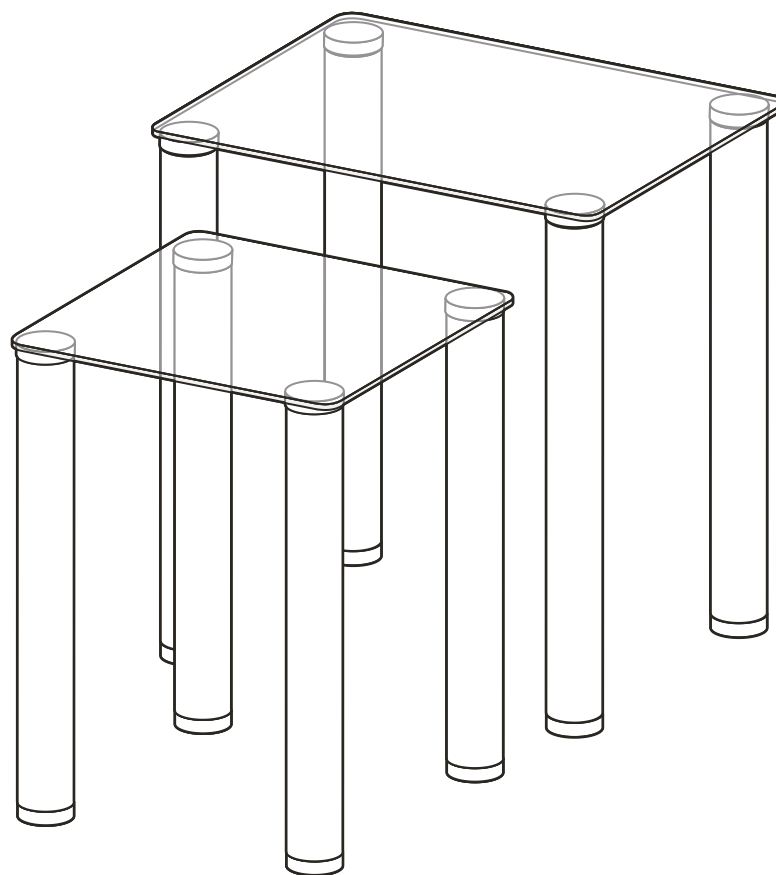
If you need help or have damaged or missing parts, call the **Customer Helpline: 08456 400800**

Matrix - Glass Nest Table

Assembly Instructions - Please keep for future reference

609/1903

609/1910



Small dimensions

Width - 33cm
Depth - 33cm
Height - 45cm

Large dimensions

Width - 45cm
Depth - 35cm
Height - 50cm

Important - Please read these instruction fully before starting assembly

If you need help or have damaged or missing parts, call the **Customer Helpline: 08456 400800**

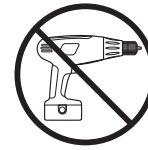


Safety and Care Advice

Important - Please read these instructions fully before starting assembly

- Check you have all the components and tools listed on pages 2.
- Remove all fittings from the plastic bags and separate them into their groups.
- Keep children and animals away from the work area, small parts could choke if swallowed.
- Make sure you have enough space to layout the parts before starting.

- Do not stand or put weight on the product, this could cause damage.
- Assemble the item as close to its final position (in the same room) as possible.
- Assemble on a soft level surface to avoid damaging the unit or your floor.
- Parts of the assembly will be easier with 2 people.



- We do not recommend the use of power drill/drivers for inserting screws, as this could damage the unit. Only use hand screwdrivers.
- Dispose of all packaging carefully and responsibly.

Care and maintenance

- Only clean using a damp cloth and mild detergent, do not use bleach or abrasive cleaners.
- From time to time check that there are no loose screws on this unit.
- This product should not be discarded with household waste. Take to your local authority waste disposal centre.

Keep These Instructions For Future Reference

- This product complies with BSEN 12521:2009
- Argos plc
489-499 Avebury Boulevard
Central Milton Keynes
MK9 2NW
- Batch No./Date of manufacture:

Warning

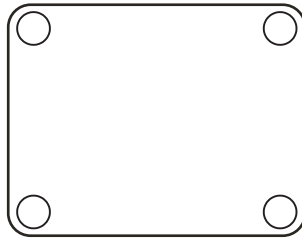
- Do not place very hot or very cold items against or in close proximity to glass surfaces unless an adequately thick insulating material is used to prevent such items from coming into contact with the glass.
- Do not sit or stand upon the glass surface(s).
- If a glass component is chipped or broken, stop using the product and consult the manufacturer or supplier.
- Do not use the glass as a chopping surface. Do not strike the glass with hard or pointed items.

Components - Panels

Please check you have all the panels listed below



1 Metal rod x 4
(0.6x 48.3 cm)



2 Top glass shelf x 1
(45 x 35 cm)



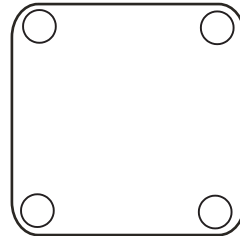
3 Metal tube x 4
(5 x 49 cm)



4 Feet x 8
(5x1.4cm)



5 Metal rod x 4
(0.6 x 43.3 cm)



6 Top glass shelf x 1
(33 x 33 cm)



7 Metal tube x 4
(5 x 44 cm)

Ruler - Use this ruler to help correctly identify the screws



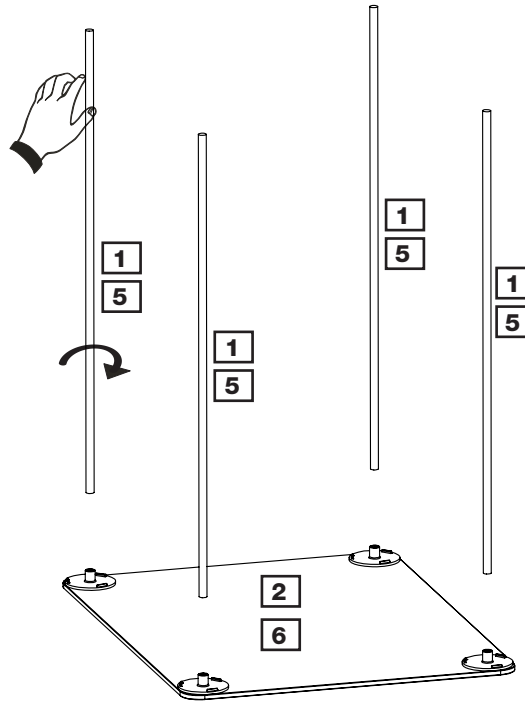
Assembly Instructions

Step 1- Large Table

Attaching metal rods

Please attach the 4pcs of metal rod **1** onto panel **2** as shown.

Metal rod **5** onto panel **6**.



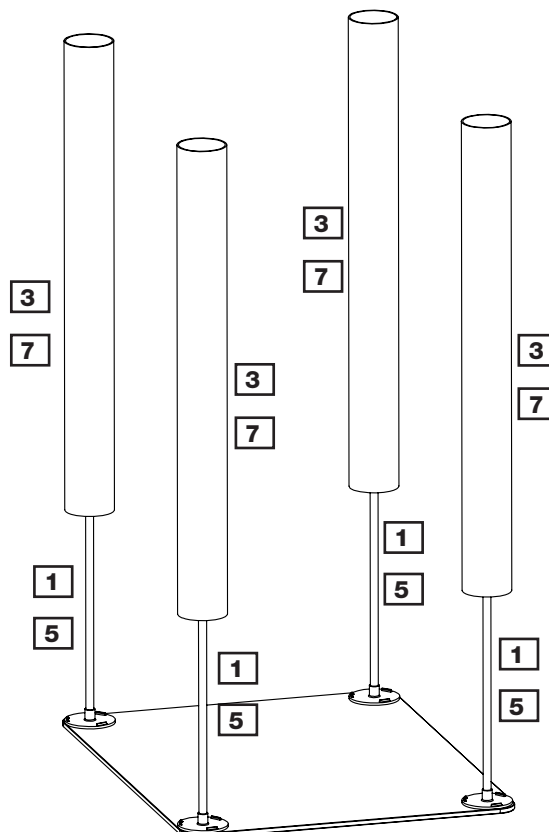
Step 2- Large Table

Attaching metal tubes

Attach 4 pcs of metal tubes **3** through 4 pcs of metal rods **1** as shown.

Repeat this step for Small Table.

Metal tubes **7** through metal rods **5**.



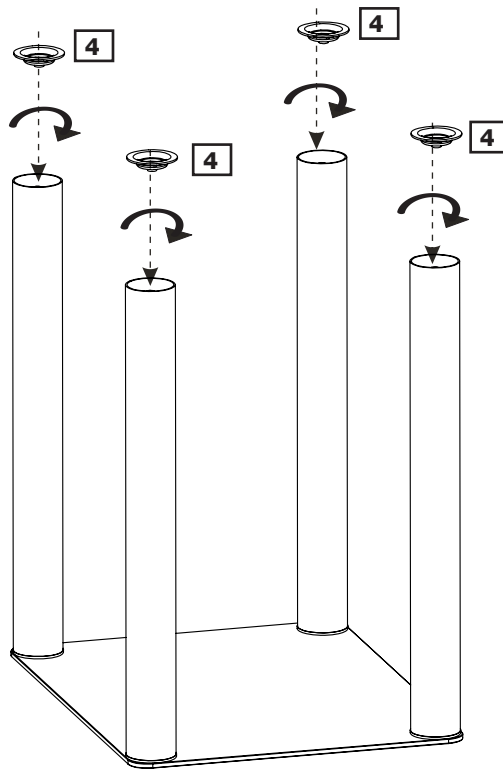
Assembly Instructions

Step 3 - Large Table

Attaching foot

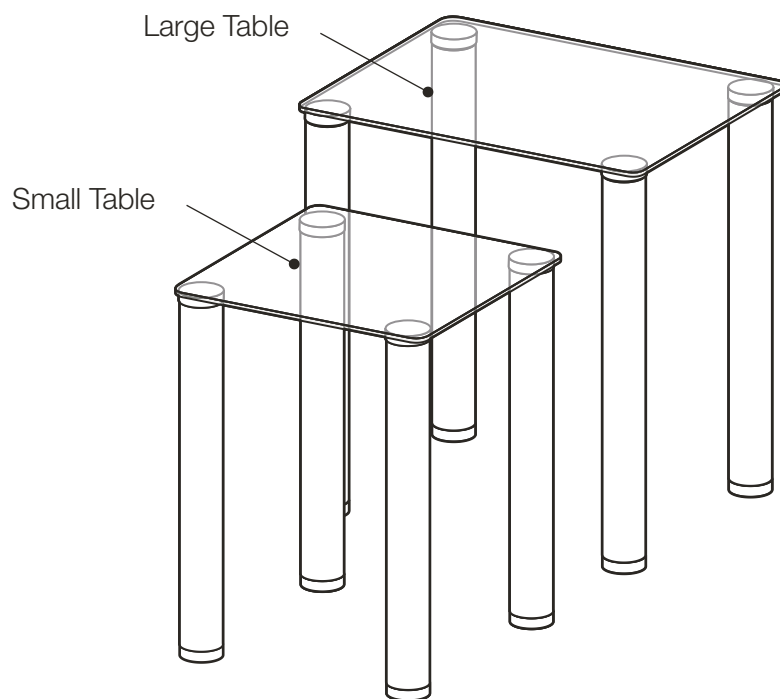
Finger tighten 4pcs of feet **4** onto the unit as shown.

Repeat this step for Small Table.



Step 4

Assembly is complete for **Small Table and Large Table.**



If you need help or have damaged or missing parts, call the **Customer Helpline: 08456 400800**