

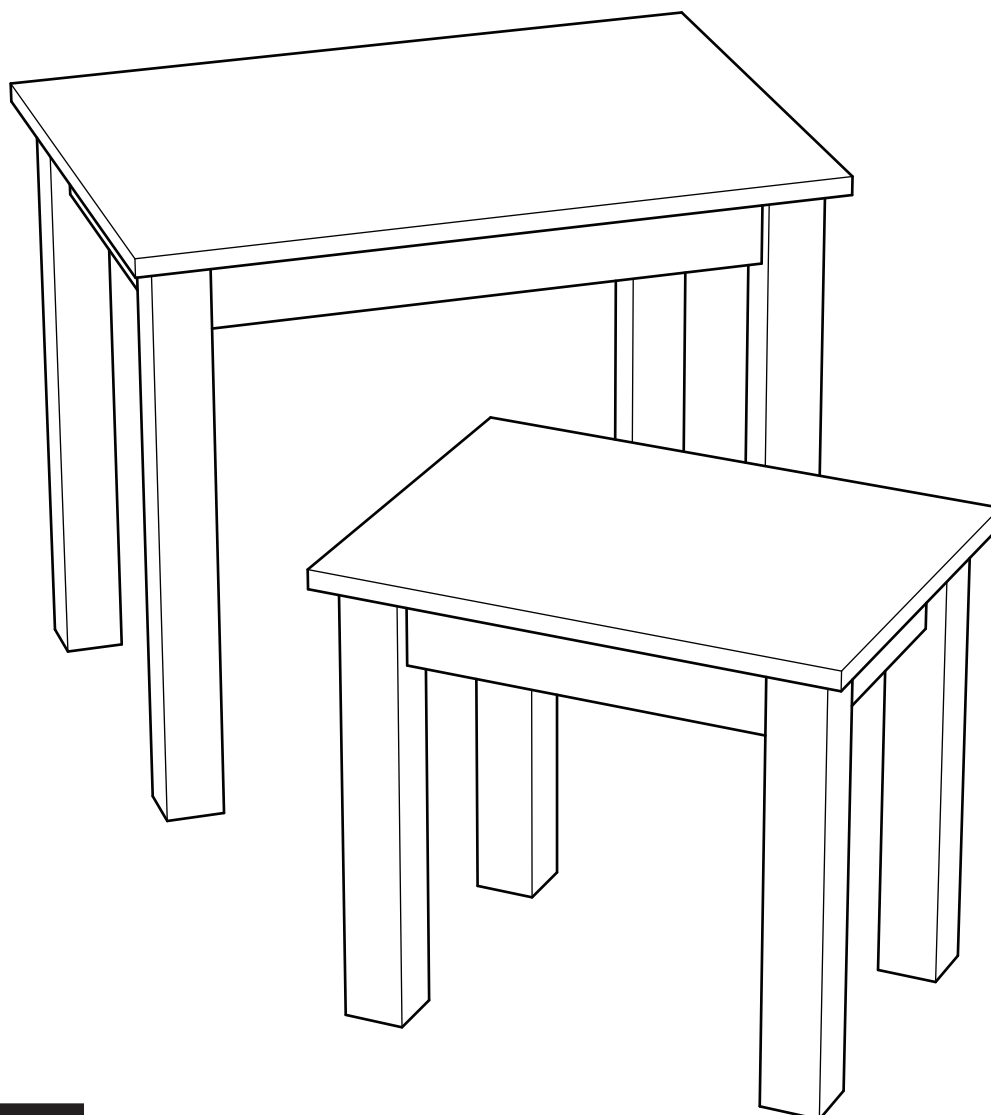
Nest Of Tables

Assembly Instructions - Please keep for future reference

609/1439

609/1893

609/3688



Dimensions

Large / Small

Width - 56/40cm

Depth - 40/30cm

Height - 47/35.5cm

Important - Please read these instructions fully before starting assembly

If you need help or have damaged or missing parts, call the Customer Helpline: 08456 400800



Safety and Care Advice

Important - Please read these instructions fully before starting assembly

- Check you have all the components and tools listed on pages 2 and 3.
- Remove all fittings from the plastic bags and separate them into their groups.
- Keep children and animals away from the work area, small parts could choke if swallowed.
- Make sure you have enough space to layout the parts before starting.

- Do not stand on the product, this could cause damage.
- Assemble the item as close to its final position (in the same room) as possible.
- Assemble on a soft level surface to avoid damaging the unit or your floor.
- Parts of the assembly will be easier with 2 people.



- We do not recommend the use of power drill/drivers **for inserting screws,**

as this could damage the unit. Only use hand screwdrivers.

- Dispose of all packaging carefully and responsibly.
- **Note:** Only apply the glue once you are sure of the assembly.

Glue safety - Take care when using glue, please follow the advice below

Skin contact: Remove contamination by washing with soap and water. This procedure should also be followed prior to eating and drinking.

Eye contact: Rinse immediately with clean water for 15 minutes and seek medical advice.

If swallowed: Seek medical advice immediately.

Care and maintenance

- Only clean using a damp cloth and mild detergent, do not use bleach or abrasive cleaners.

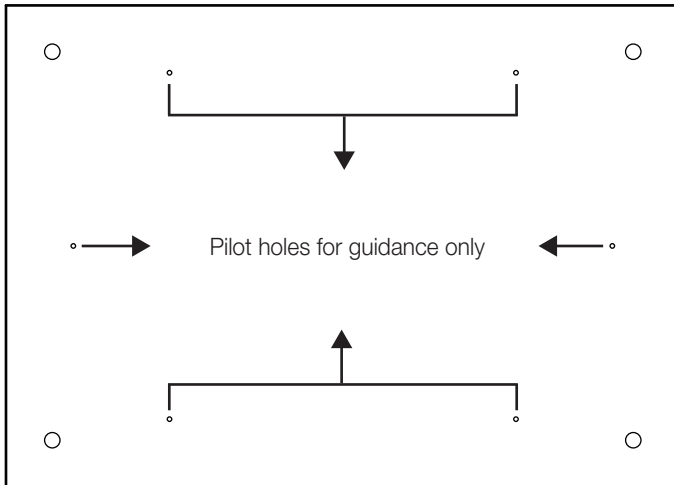
- From time to time check that there are no loose screws on this unit.

- This product should not be discarded with household waste. Take to your local authority waste disposal centre.

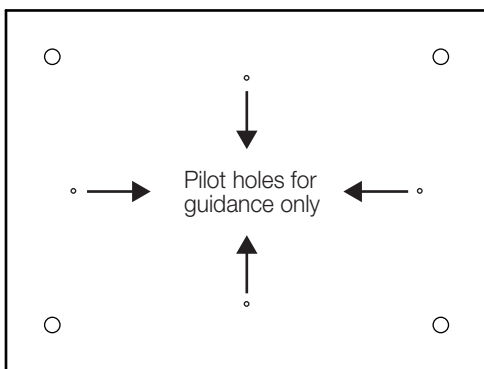
Components - Panels

If you have damaged or missing components, call the **Customer Helpline: 08456 400800**

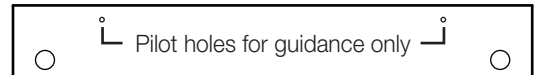
Please check you have all the panels listed below



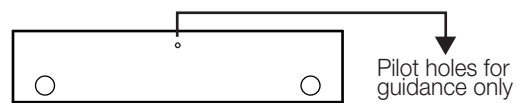
1 Large table top (56 x 40cm)



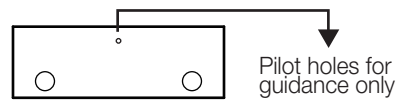
2 Small table top (40 x 30cm)



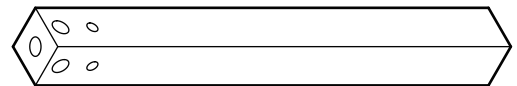
3 Large support x 2 (43.8 x 6cm)



4 Medium support x 4 (27.8 x 6cm)



5 Small support x 2 (17.8 x 6cm)



6 Large leg x 4 (45.5 x 4.5cm)


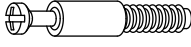




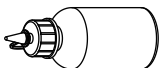


7 Small leg x 4 (34 x 4.5cm)

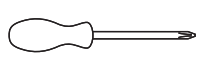
Components - Fittings

Please check you have all the fittings listed below

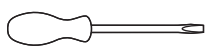
Note: The quantities below are the correct amount to complete the assembly. in some cases more fittings may be supplied than are required.

<p>A </p> <p>Dowel x 24</p>	<p>B </p> <p>Locking pin x 16</p>	<p>C </p> <p>14mm Screw x 20</p>
<p>D </p> <p>15mm Locking nut x 16</p>	<p>E </p> <p>Plastic support x 10</p>	<p>F </p> <p>Foot x 8</p>
<p>G </p> <p>Glue x 1</p>		

Tools required



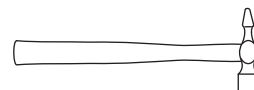
Phillips screwdriver
(medium & large)



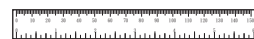
Flatblade screwdriver
(medium)



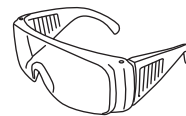
Bradawl
(or sharp point)



Small
hammer

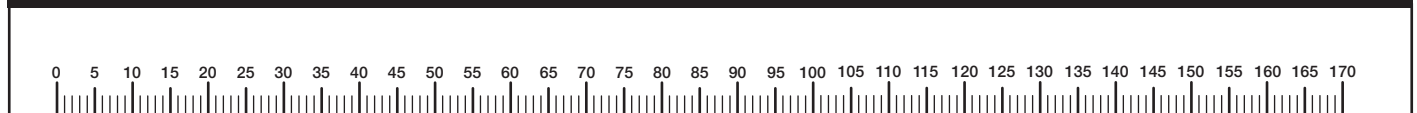


Ruler/tape
measure



Eye protection
(when using a
hammer or glue)

Ruler - Use this ruler to help correctly identify the screws



Assembly Instructions

Step 1

Fitting the legs

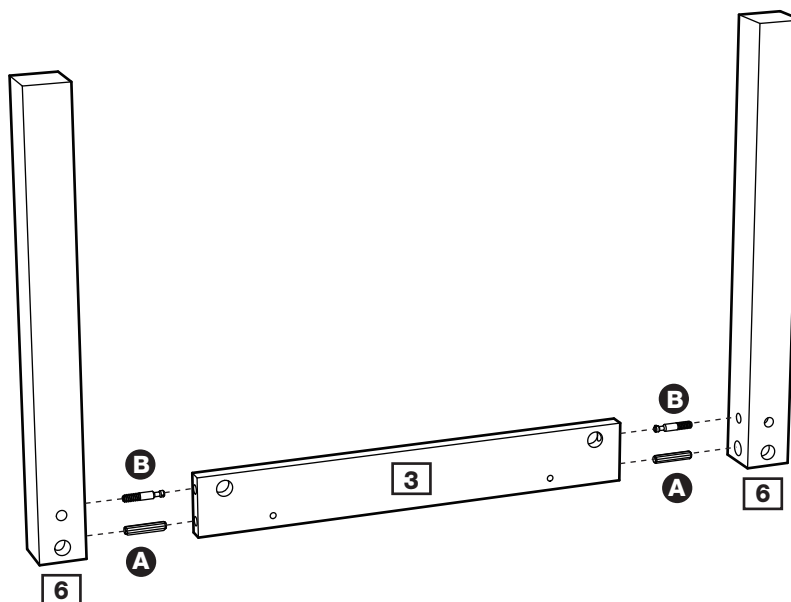
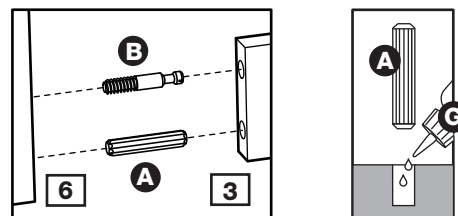
Note: It would be useful to ask someone to help you at this stage.

a: Place a small amount of Glue **G** into the dowel holes. Screw in Locking pins **B** and insert Dowels **A** into the Large legs **6** and Large support **3**.

Note: For small table, replace **6** with Small legs **7**, replace **3** with Medium support **4**.

Note: The screw holes on the legs and support should align.

a:



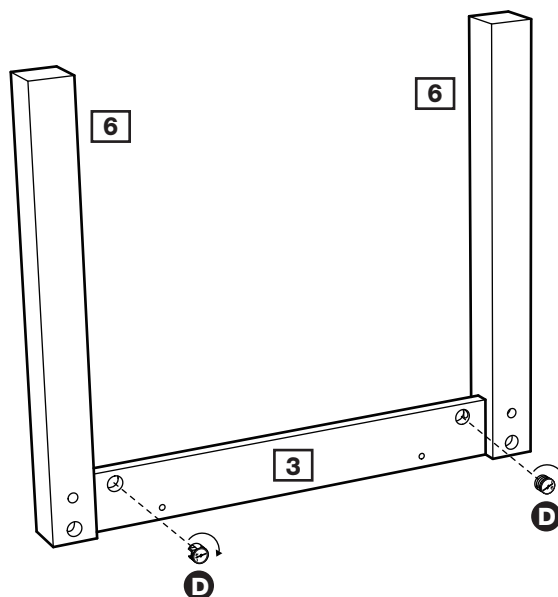
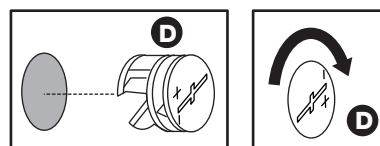
b: Use Locking nuts **D** to fix the Large legs **6** onto the Large support **3**.

Use a screwdriver to turn Locking nuts **D** clockwise to lock.

Note: For small table, use Locking nuts **D** to fix the Small legs **7** onto the Medium supports **4**.

Note: Follow the same method as in fig. **a** and **b** to assembly the other legs.

b:



Continued on next page.

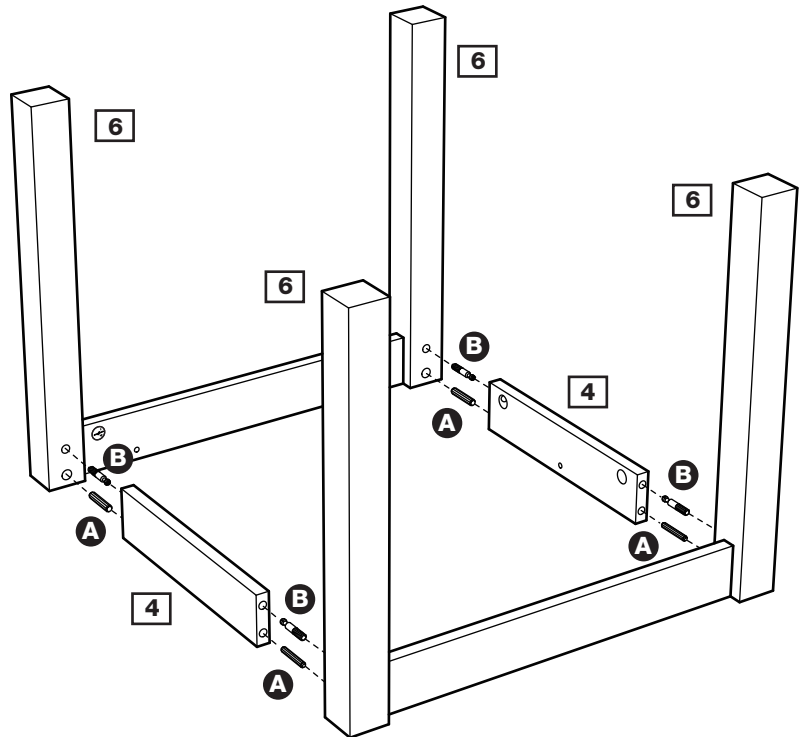
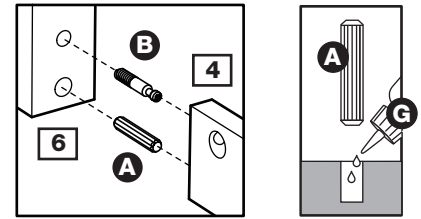
Assembly Instructions

Step 1 - continued

c: Place a small amount of Glue **G** into the dowel holes. Screw in Locking pins **B** and insert Dowels **A** into the Large legs **6** and Medium supports **4**.

Note: For small table, replace **6** with Small legs **7**, replace **4** with Small supports **5**.

Note: The screw holes on the medium supports or small supports should face inward.

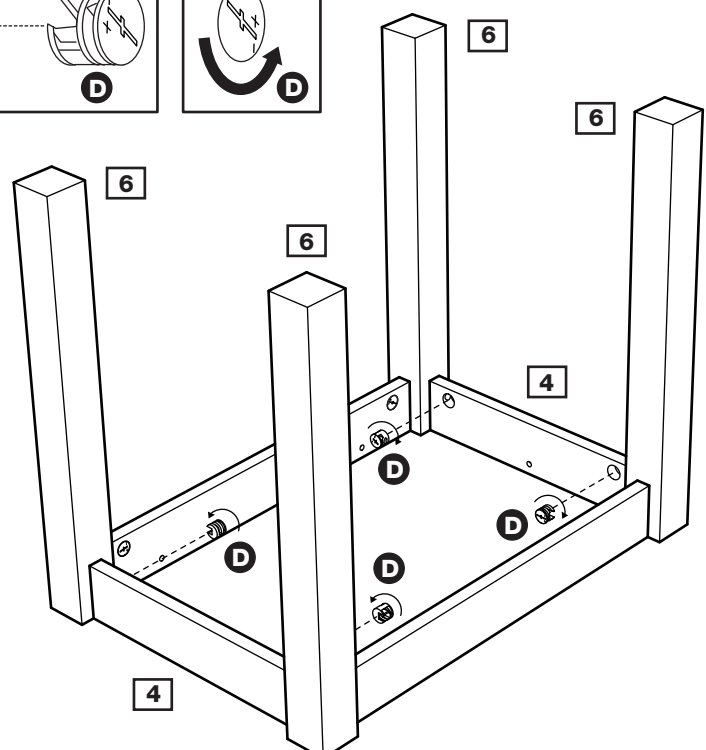
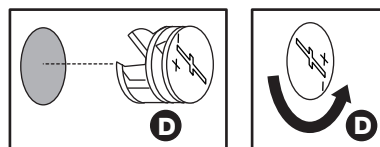


d: Use Locking nuts **D** to fix the Large legs **6** onto the Medium support **4**.

Use a screwdriver to turn Locking nuts **D** clockwise to lock.

Note: For small table, use Locking nuts **D** to fix the Small legs **7** onto the Small supports **5**.

d:



Assembly Instructions

Step 2

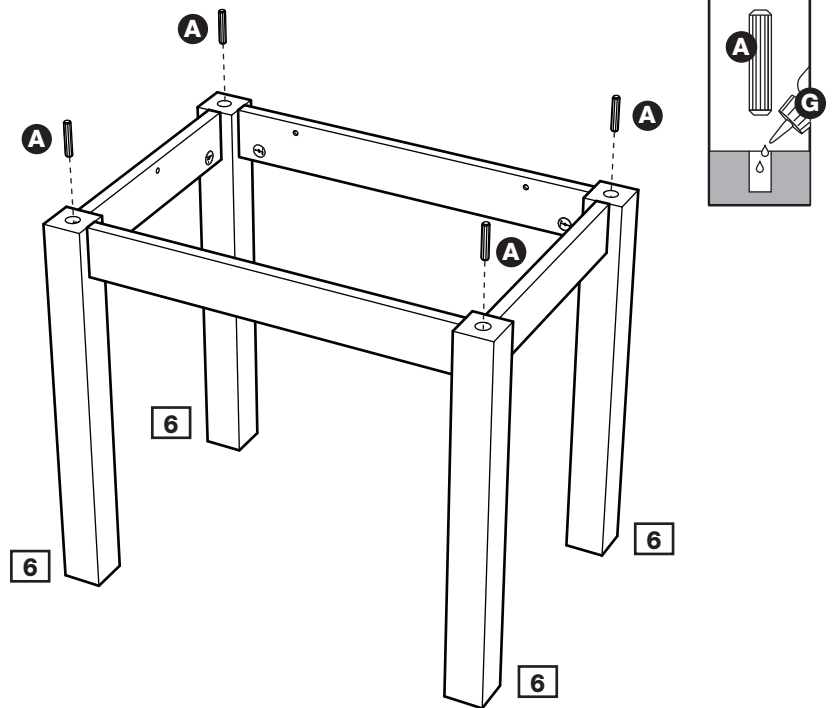
Fitting the table top

a: Place a small amount of Glue **G** into the dowel holes. Insert Dowels **A** fully into the Large legs **6**.

Note: Use a hammer to beat the dowels on appropriate deep of dowel holes.

Note: For small table, repeat with Small legs **7**.

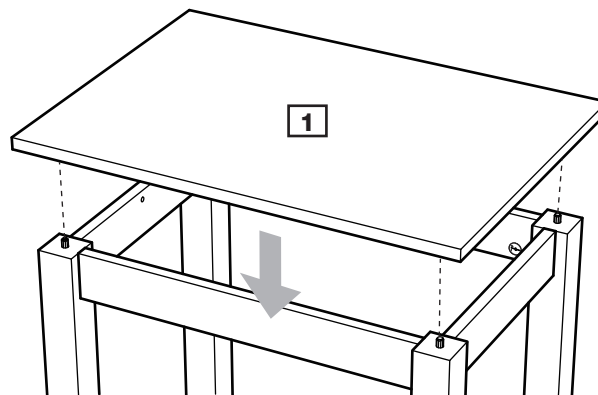
a:



b: Carefully locate the Large table top **1** onto the unit.

Note: For small table, replace **1** with Small table top **2**.

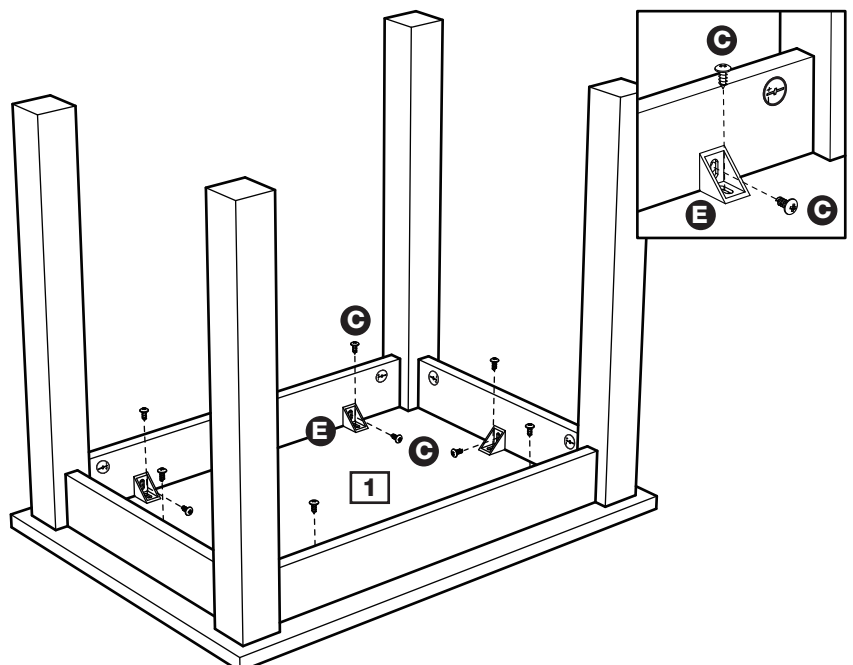
b:



c: Use Screws **C** to fix Plastic supports **E** onto the Large table top **1** and unit.

Note: For small table, replace **1** with Small table top **2**.

c:



Assembly Instructions

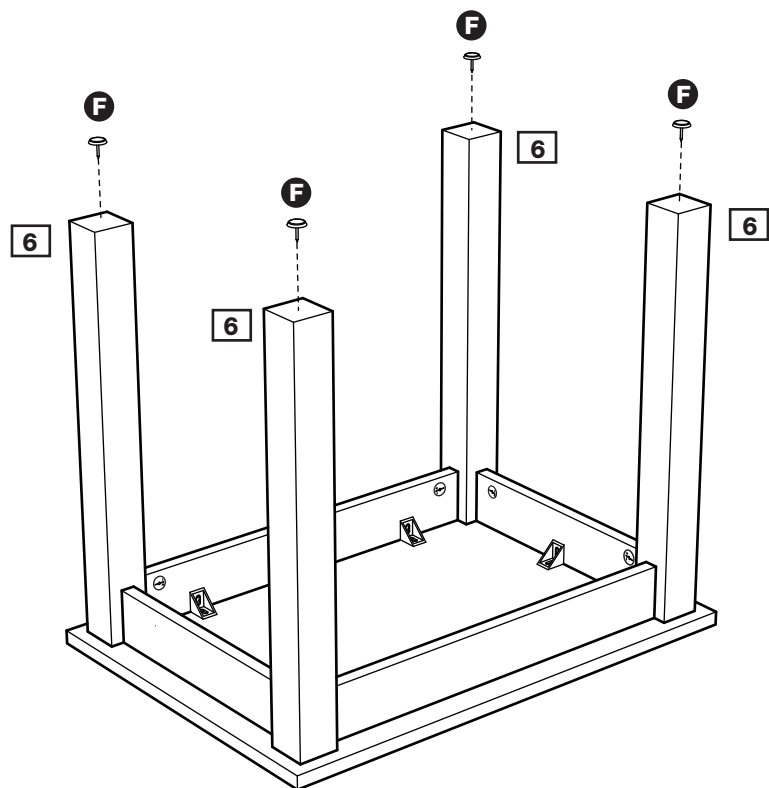
Step 3

Finishing the unit

a: Attach Foot **F** to the Large legs **6**.

Note: For small table, attach Foot **F** to the Small legs **7**.

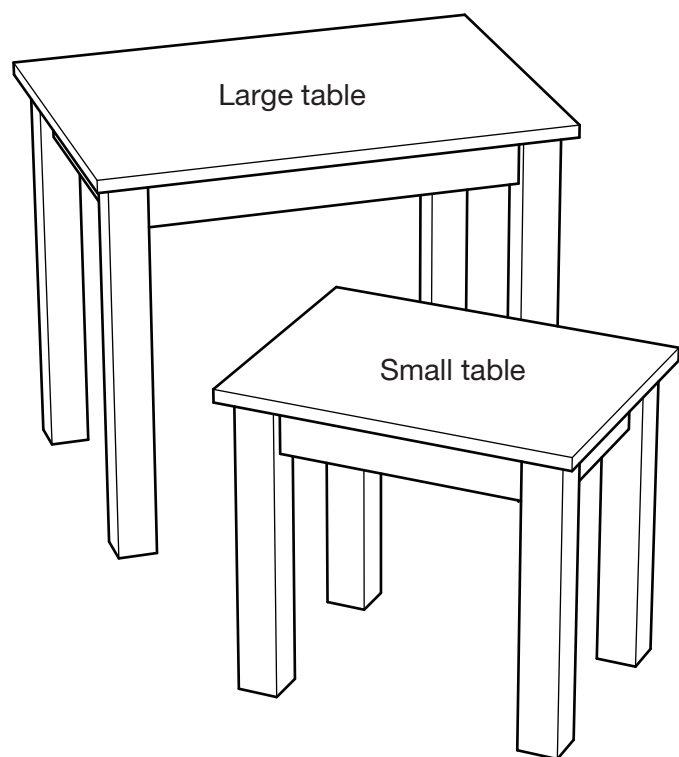
a:



b: Carefully turn the table upright.

Note: Before use allow the Glue to dry for 24 hours and make sure the unit is secure.

b:



Assembly is complete.

If you need help or have damaged or missing parts, call the **Customer Helpline: 08456 400800**

Nest of Tables

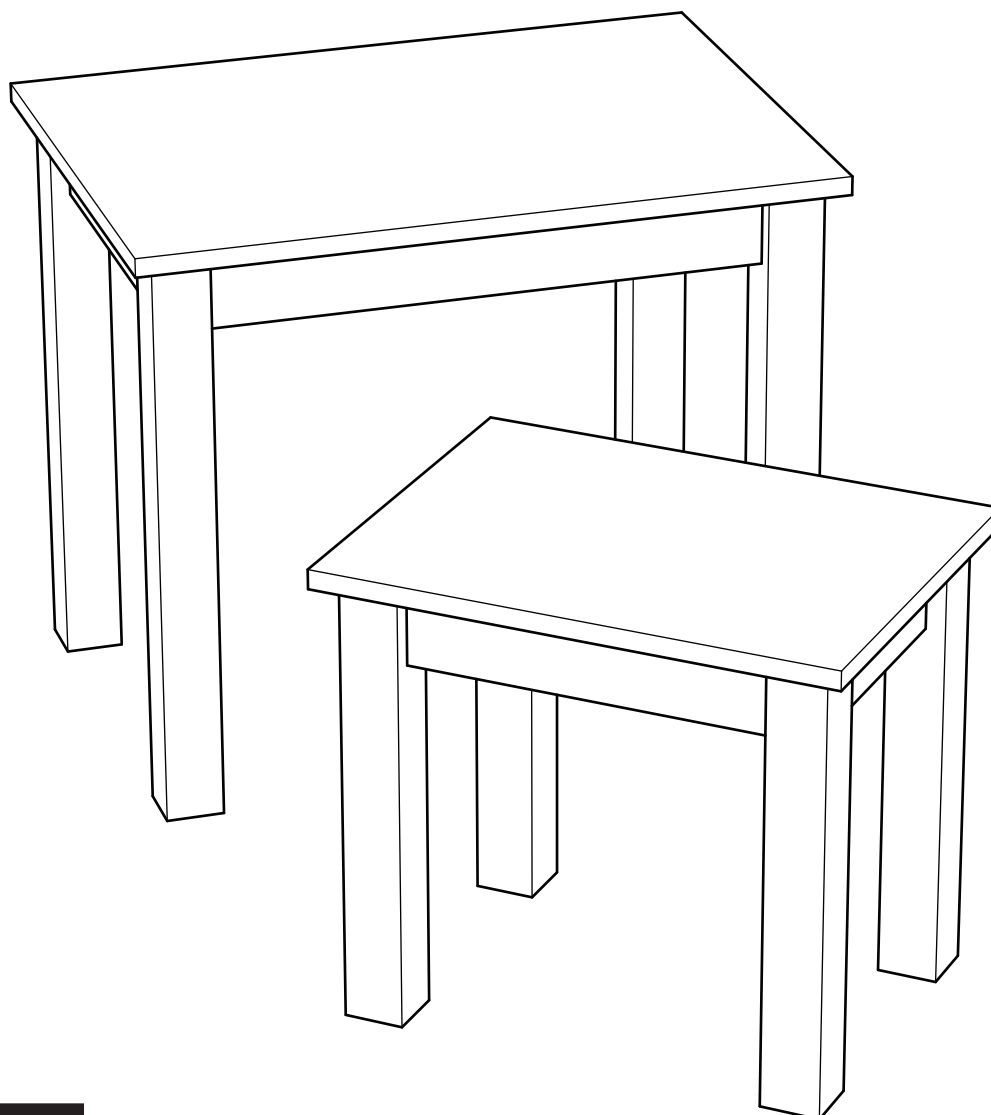
Assembly Instructions - Please keep for future reference

609/1439

609/1893

609/3688

609/6300



Dimensions

Large / Small

Width - 56/40cm

Depth - 40/30cm

Height - 47/35.5cm

Important - Please read these instructions fully before starting assembly

If you need help or have damaged or missing parts, call the Customer Helpline: 08456 400800



Safety and Care Advice

Important - Please read these instructions fully before starting assembly

- Check you have all the components and tools listed on pages 2 and 3.
- Remove all fittings from the plastic bags and separate them into their groups.
- Keep children and animals away from the work area, small parts could choke if swallowed.
- Make sure you have enough space to layout the parts before starting.

- Do not stand on the product, this could cause damage.
- Assemble the item as close to its final position (in the same room) as possible.
- Assemble on a soft level surface to avoid damaging the unit or your floor.
- Parts of the assembly will be easier with 2 people.



- We do not recommend the use of power drill/drivers **for inserting screws,**

as this could damage the unit. Only use hand screwdrivers.

- Dispose of all packaging carefully and responsibly.
- **Note:** Only apply the glue once you are sure of the assembly.

Glue safety - Take care when using glue, please follow the advice below

Skin contact: Remove contamination by washing with soap and water. This procedure should also be followed prior to eating and drinking.

Eye contact: Rinse immediately with clean water for 15 minutes and seek medical advice.

If swallowed: Seek medical advice immediately.

Care and maintenance

- Only clean using a damp cloth and mild detergent, do not use bleach or abrasive cleaners.

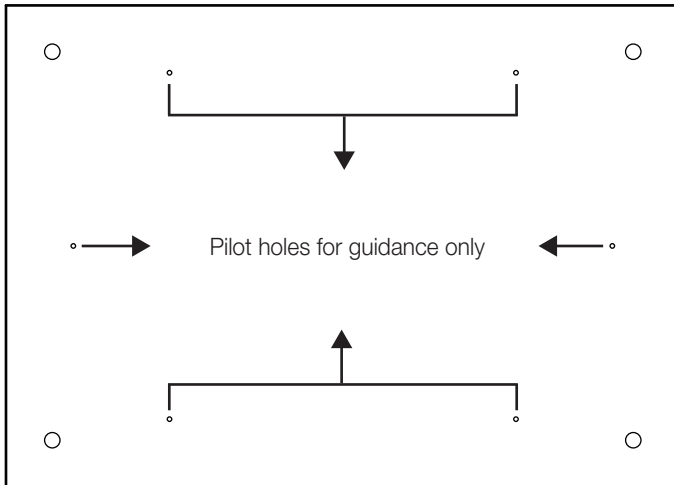
- From time to time check that there are no loose screws on this unit.

- This product should not be discarded with household waste. Take to your local authority waste disposal centre.

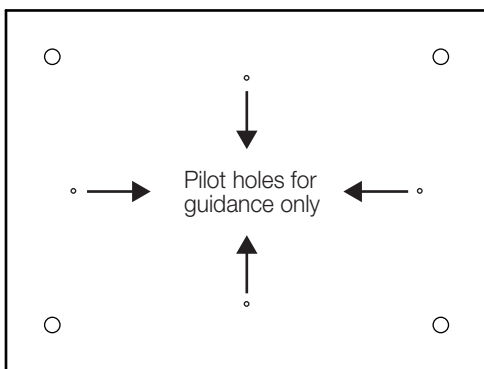
Components - Panels

If you have damaged or missing components, call the **Customer Helpline: 08456 400800**

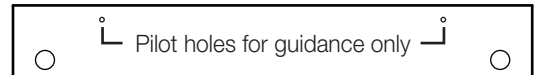
Please check you have all the panels listed below



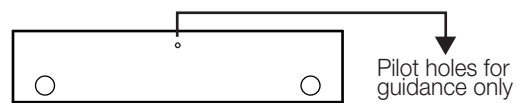
1 Large table top (56 x 40cm)



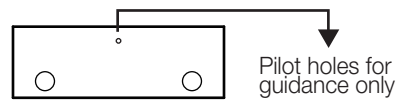
2 Small table top (40 x 30cm)



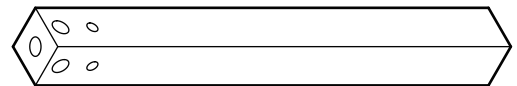
3 Large support x 2 (43.8 x 6cm)



4 Medium support x 4 (27.8 x 6cm)



5 Small support x 2 (17.8 x 6cm)



6 Large leg x 4 (45.5 x 4.5cm)

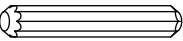







7 Small leg x 4 (34 x 4.5cm)

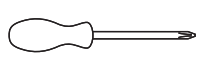
Components - Fittings

Please check you have all the fittings listed below

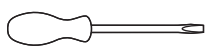
Note: The quantities below are the correct amount to complete the assembly. in some cases more fittings may be supplied than are required.

<p>A </p> <p>Dowel x 24</p>	<p>B </p> <p>Locking pin x 16</p>	<p>C </p> <p>14mm Screw x 20</p>
<p>D </p> <p>15mm Locking nut x 16</p>	<p>E </p> <p>Plastic support x 10</p>	<p>F </p> <p>Glue x 1</p>

Tools required



Phillips screwdriver
(medium & large)



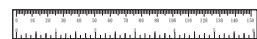
Flatblade screwdriver
(medium)



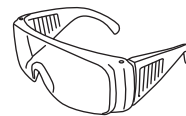
Bradawl
(or sharp point)



Small
hammer

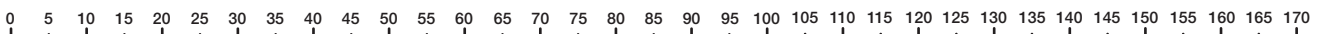


Ruler/tape
measure



Eye protection
(when using a
hammer or glue)

Ruler - Use this ruler to help correctly identify the screws



Assembly Instructions

Step 1

Fitting the legs

Note: It would be useful to ask someone to help you at this stage.

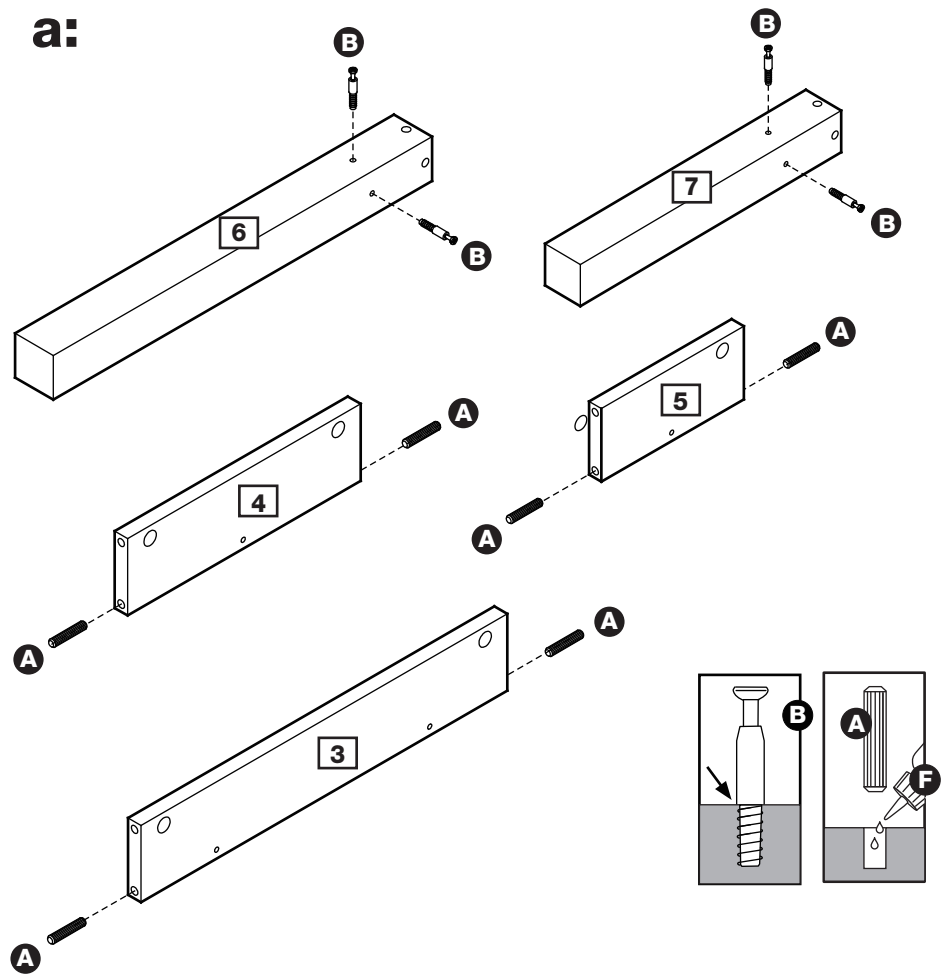
a: Place a small amount of Glue **F** into the dowel holes. Insert Dowels **A** into the Large and Medium, Small supports **3** and **4**, **5**.

Screw in Locking pins **B** into the Large and Small legs **6** and **7**.

Note: Insert Locking pins as far as shown.

Do not over tighten.

Note: The screw holes on the legs and support should align.

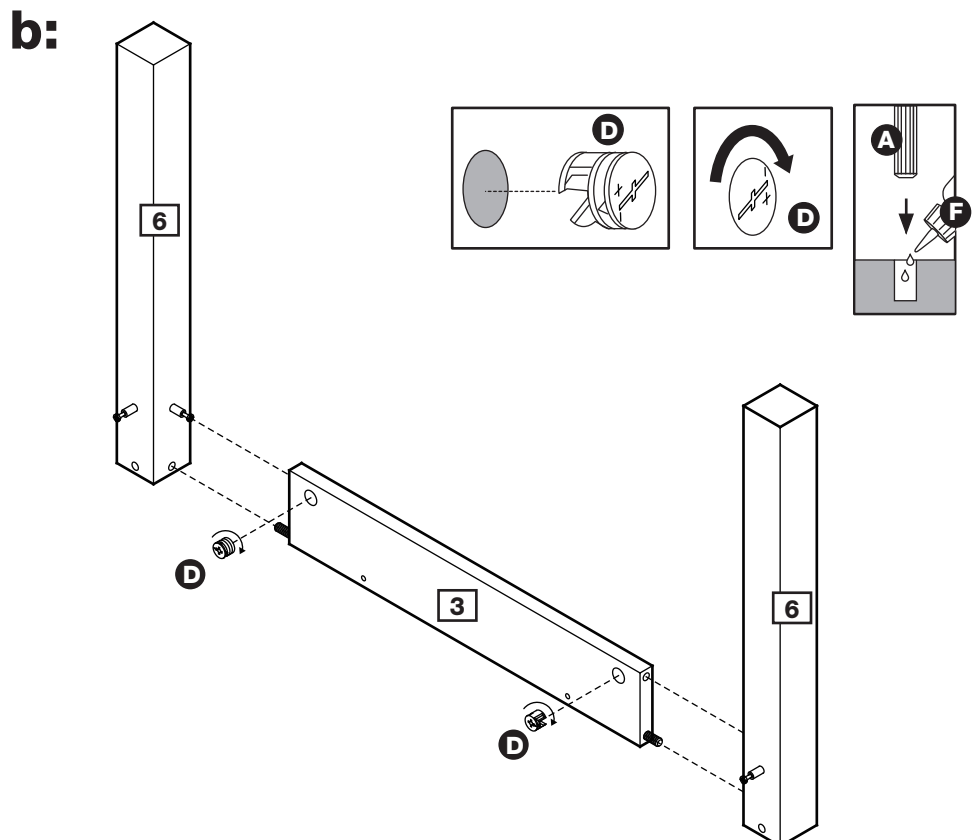


b: Use Locking nuts **D** to fix the Large legs **6** onto the Large support **3**.

Use a screwdriver to turn Locking nuts **D** clockwise to lock.

Note: For small table, use Locking nuts **D** to fix the Small legs **7** onto the Medium supports **4**.

Note: Follow the same method as in fig. b to assemble the other legs.



Continued on next page.

Assembly Instructions

Step 1 - continued

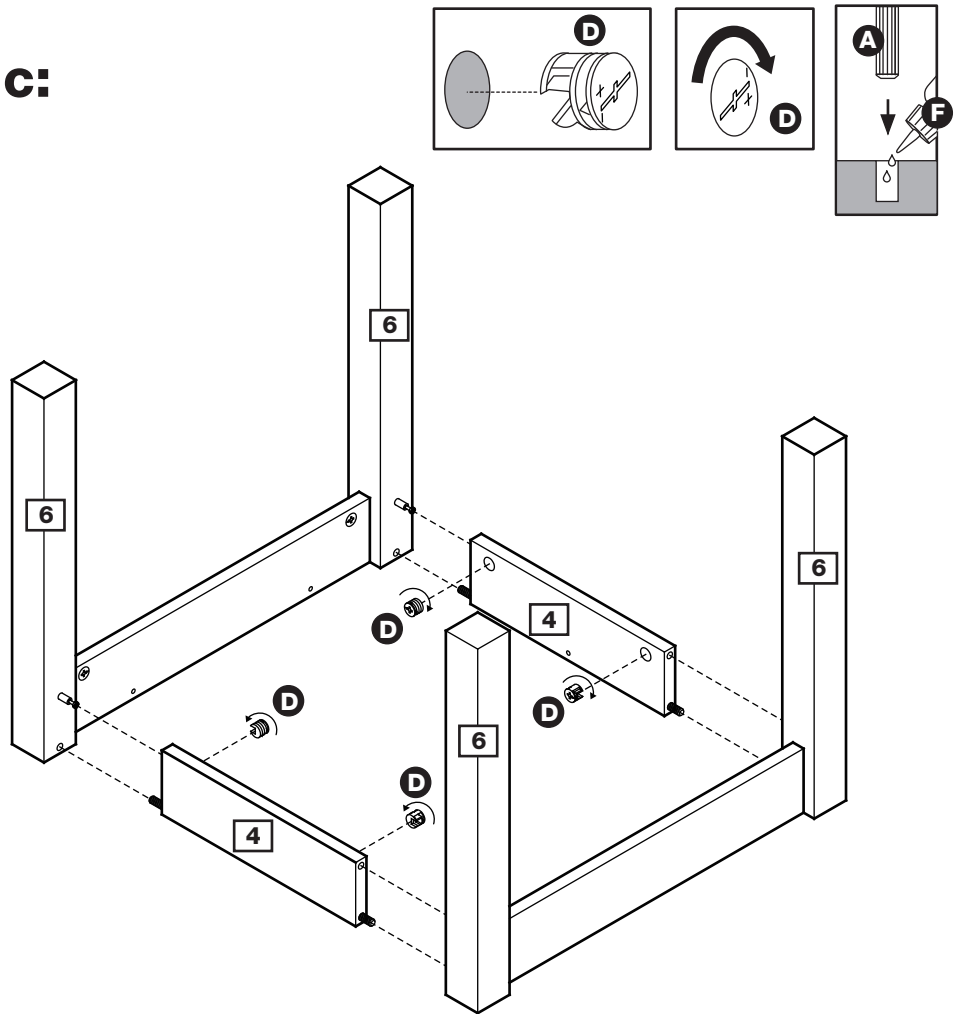
c: Use Locking nuts **D** to fix the Large legs **6** onto the Medium support **4**.

Use a screwdriver to turn Locking nuts **D** clockwise to lock.

Note: For small table, replace **6** with Small legs **7**, replace **4** with Small supports **5**.

Note: The screw holes on the medium supports or small supports should face inward.

c:



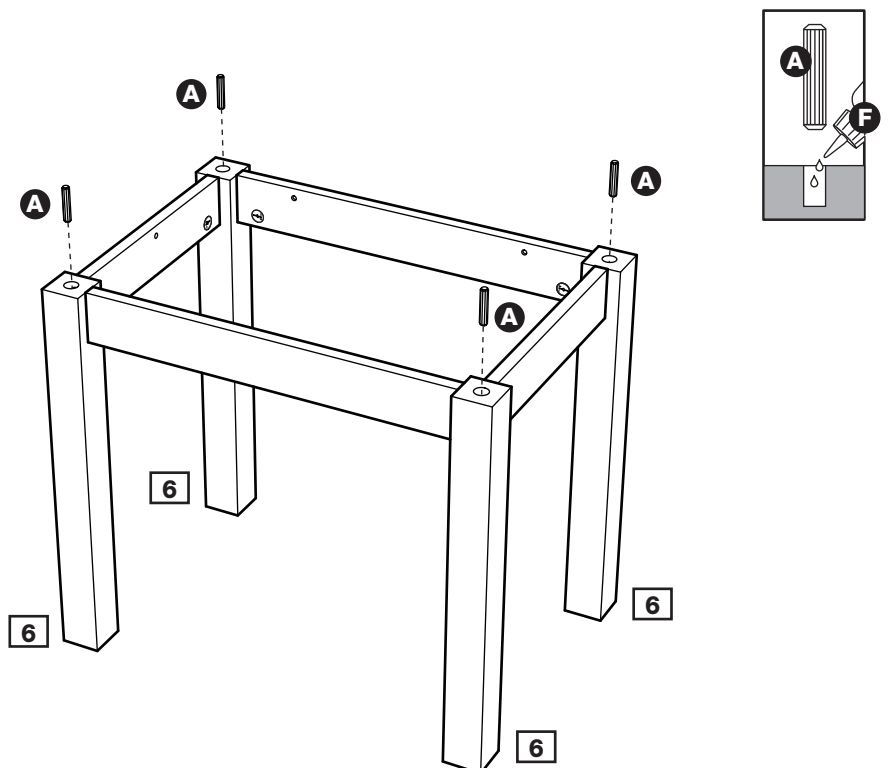
Step 2

Fitting the table top

a: Place a small amount of Glue **F** into the dowel holes. Insert Dowels **A** fully into the Large legs **6**.

Note: For small table, repeat with Small legs **7**.

a:



Continued on next page.

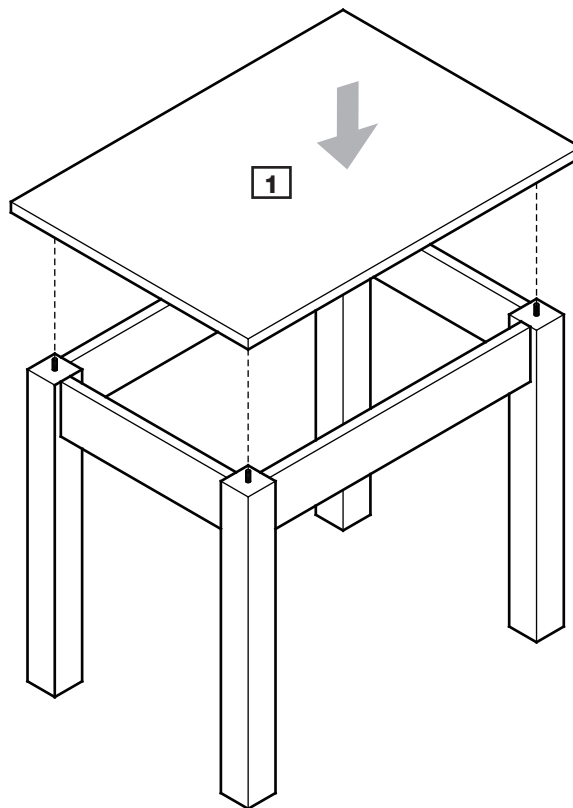
Assembly Instructions

Step 2 - continued

b: Carefully locate the Large table top **1** onto the unit.

Note: For small table, replace **1** with Small table top **2**.

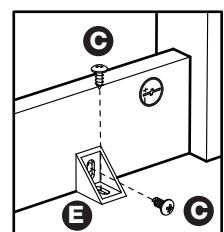
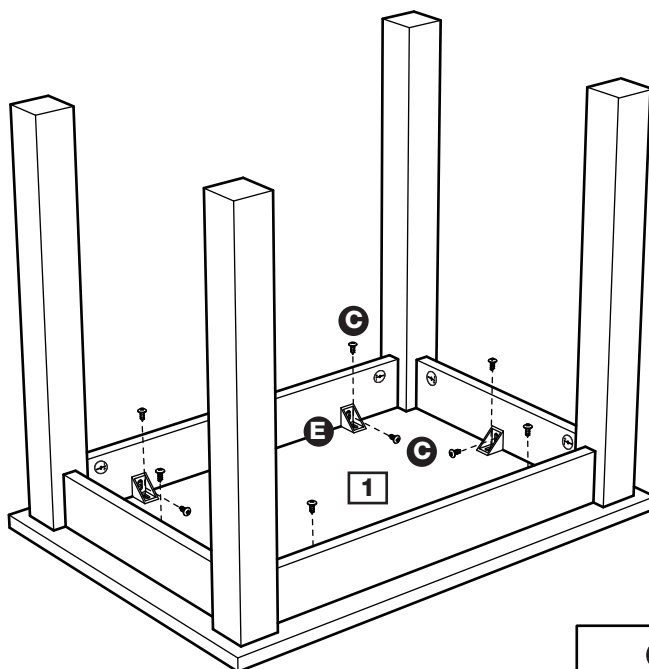
b:



c: Use Screws **C** to fix Plastic supports **E** onto the Large table top **1** and unit.

Note: For small table, replace **1** with Small table top **2**.

c:



Assembly Instructions

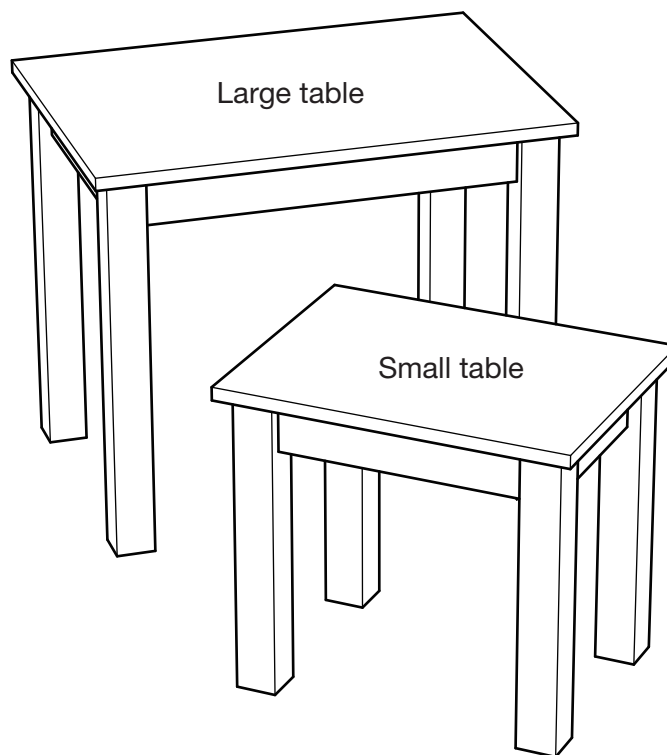
Step 3

Finishing the unit

Note: It would be useful to ask someone to help you at this stage.

Carefully turn the table upright.

Note: Before use allow the Glue to dry for 24 hours and make sure the unit is secure.



Assembly is complete.

If you need help or have damaged or missing parts, call the **Customer Helpline: 08456 400800**

Chloe Nest of Tables

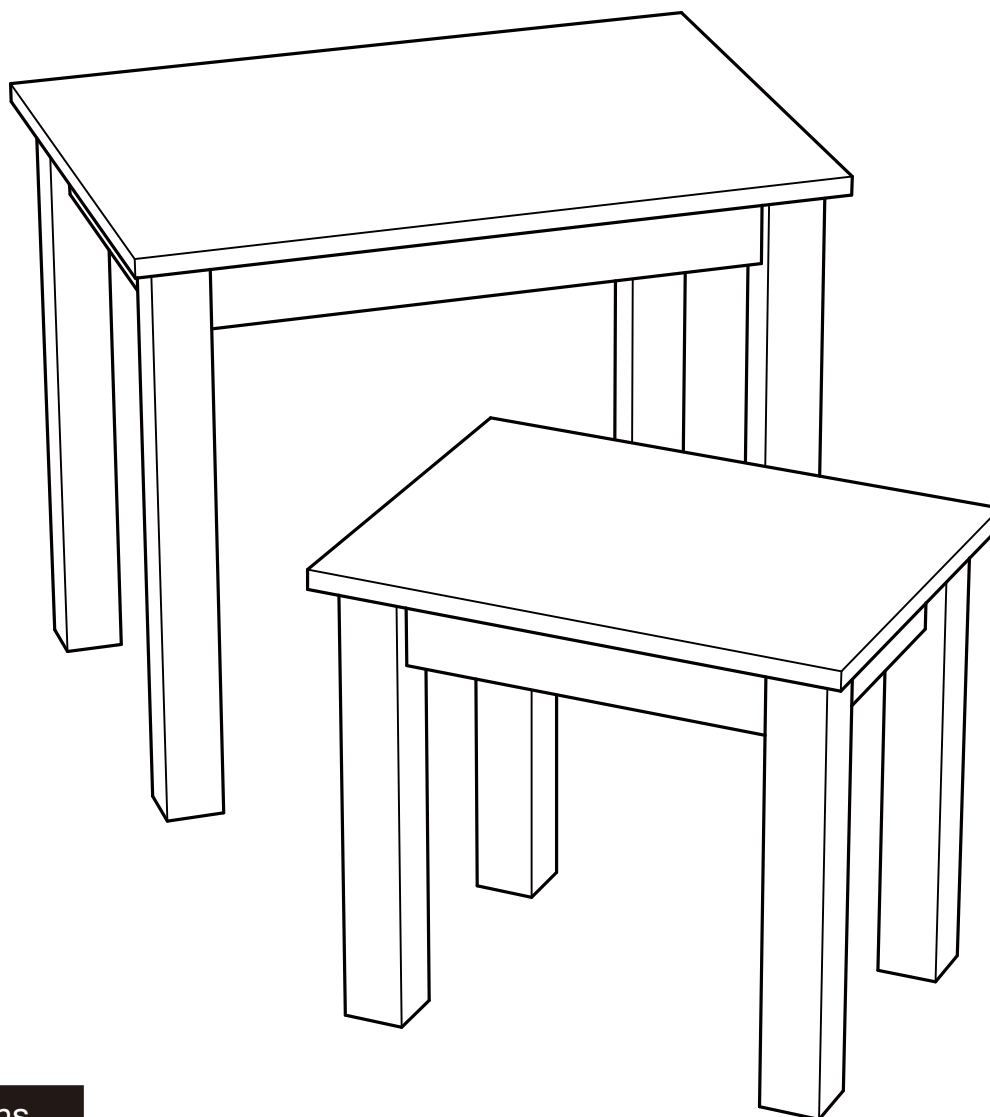
Assembly Instructions - Please keep for future reference

609/1439

609/1893

609/6300

415/9672



Dimensions

Large / Small

Width - 56/40cm

Depth - 40/30cm

Height - 47/35.5cm

Important - Please read these instructions fully before starting assembly

If you need help or have damaged or missing parts, call the **Customer Helpline:**
Argos = 0345 6400800



Safety and Care Advice

Important – Please read these instructions fully before starting assembly

- Check you have all the components and tools listed on the following pages.
- Remove all fittings from the plastic bags and separate them into their groups.
- Keep children and animals away from the work area, small parts could choke if swallowed.
- Make sure you have enough space to layout the parts before starting.

- During assembly do not stand or put weight on the product, this could cause damage.
- Assemble the item as close to its final position (in the same room) as possible.
- Assemble on a soft level surface to avoid damaging the unit or your floor.
- Parts of the assembly will be easier with 2 people.



power drill is set on a low torque setting.

- To reduce the likelihood of damaging your product please ensure that your

Care and maintenance

• Only clean using a damp cloth and mild detergent, do not use bleach or abrasive cleaners.

• From time to time check that there are no loose screws on this unit.

• This product should not be discarded with household waste. Take to your local authority waste disposal centre.

Handy Hints

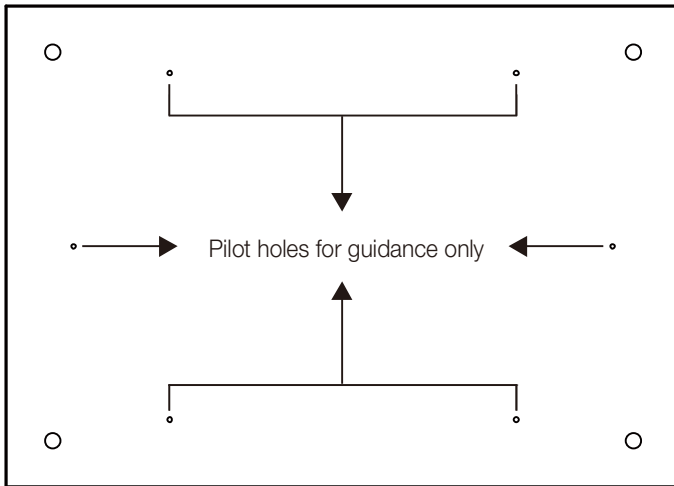
• Assemble all parts and bolts loosely during assembly, only once the product is complete should you fully tighten the bolts

• Regularly check and ensure that all bolts and fittings are tightened properly.

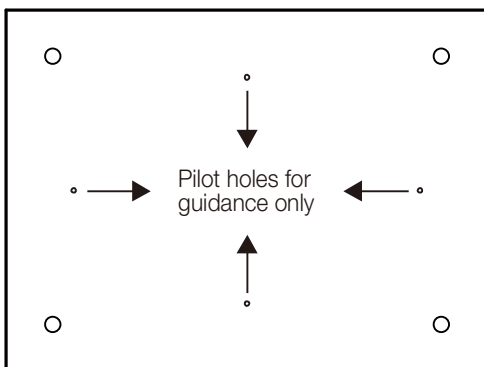
Components - Panels

If you have damaged or missing components, call the
Customer Helpline: Argos = 0345 6400800

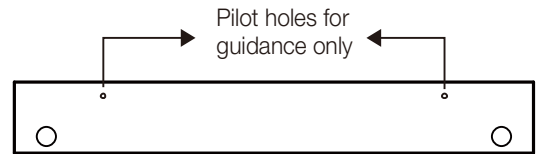
Please check you have all the panels listed below



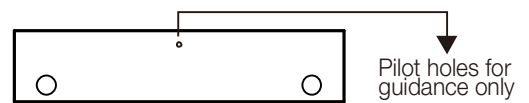
1 Large table top (56 x 40cm)



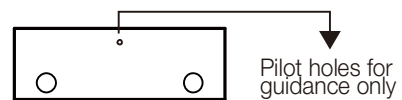
2 Small table top (40 x 30cm)



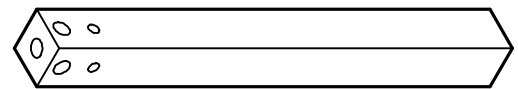
3 Large support x 2 (43.8 x 6cm)



4 Medium support x 4 (27.8 x 6cm)



5 Small support x 2 (17.8 x 6cm)



6 Large leg x 4 (45.5 x 4.5cm)








7 Small leg x 4 (34 x 4.5cm)

Components - Fittings

Please check you have all the fittings listed below

Note: The quantities below are the correct amount to complete the assembly. in some cases more fittings may be supplied than are required.

<p>A </p> <p>40mm Dowel x 24</p>	<p>B </p> <p>43mm Locking pin x 16</p>	<p>C </p> <p>14mm Screw x 20</p>
<p>D </p> <p>15mm Locking nut x 16</p>	<p>E </p> <p>Plastic support x 10</p>	

Tools required



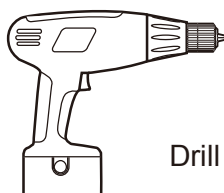
Phillips screwdriver
(medium & large)



Flatblade screwdriver
(medium)



7mm Suitable drill bit
(for use with wall plug)



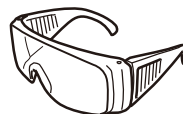
Drill



Small
hammer

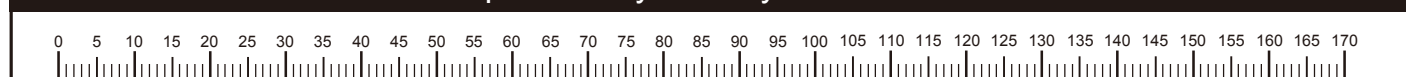


Ruler/tape
measure



Eye protection
(when using a
hammer or glue)

Ruler - Use this ruler to help correctly identify the screws



The screws length is measured from the head to the point (30mm screw shown).

Assembly Instructions

Step 1

Fitting the large legs

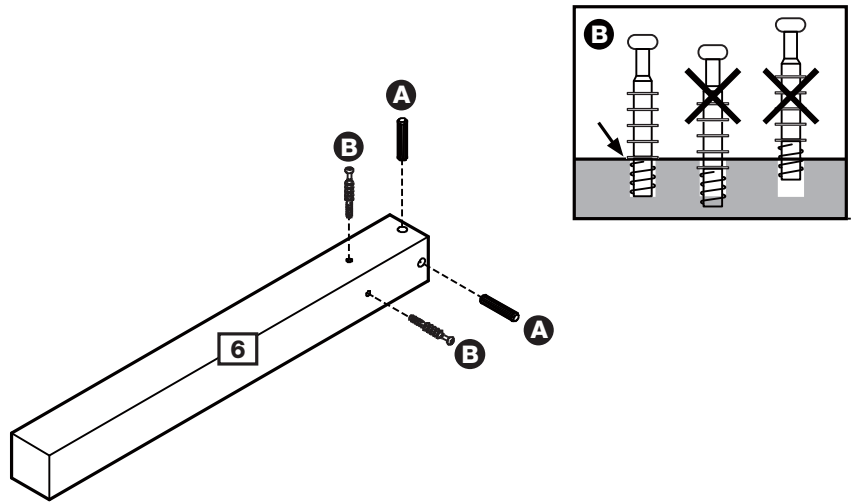
a: Insert Dowels **A** into the Large legs **6**.

Screw Locking pins **B** into the Large legs **6**.

Note: Insert Locking pins as far as shown.

Do not over tighten.

a:



X 4

Note: It would be useful to ask someone to help you at this stage.

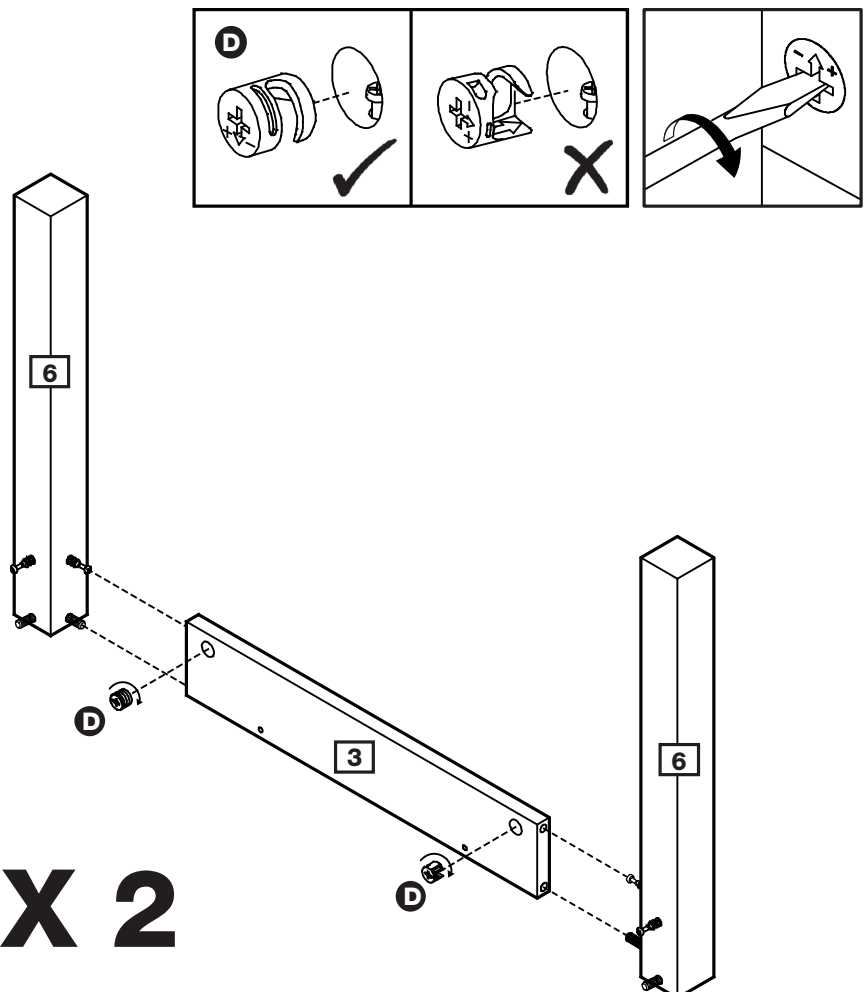
b: Use Locking nuts **D** to fix the Large legs **6** onto the Large support **3**.

Use a screwdriver to turn Locking nuts **D** clockwise to lock.

Note: The screw holes on the legs and support should align.

Note: Follow the same method as in fig. **b** to assembly the other legs.

b:



X 2

Continued on next page.

Assembly Instructions

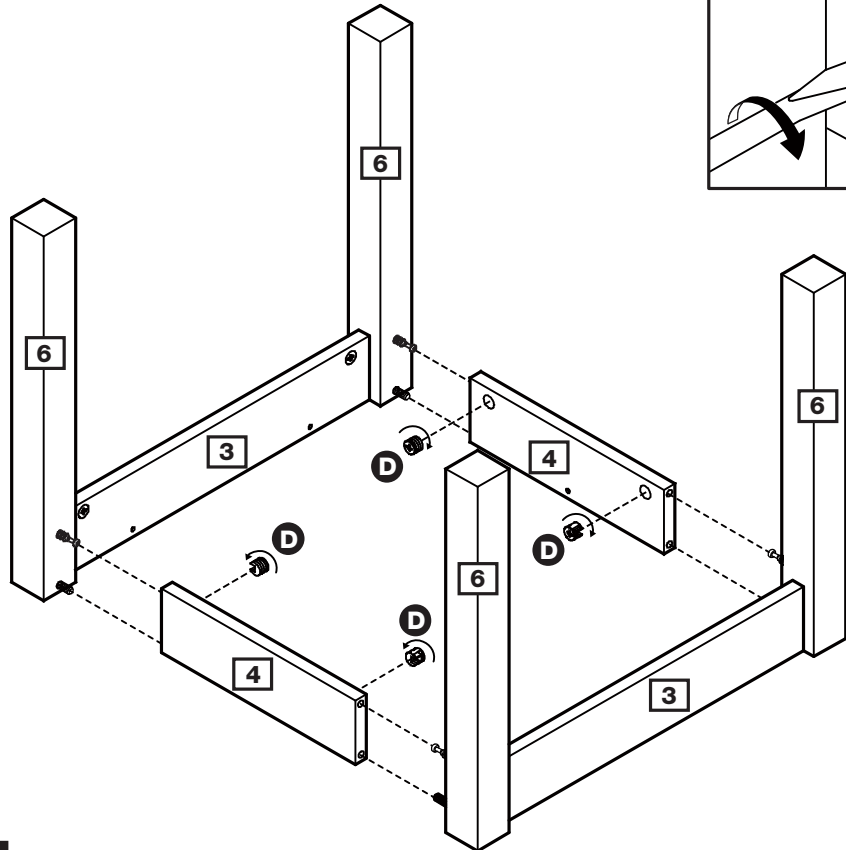
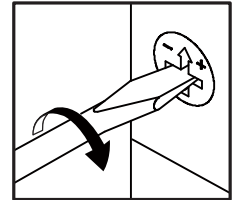
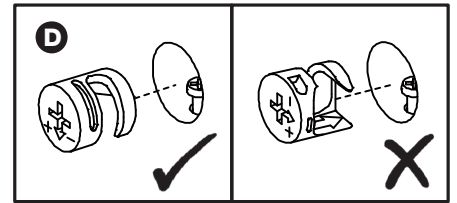
Step 1 - continued

c: Use Locking nuts **D** to fix the Large legs **6** onto the Medium supports **4**.

Use a screwdriver to turn Locking nuts **D** clockwise to lock.

Note: The screw holes on the medium supports should face inward.

c:

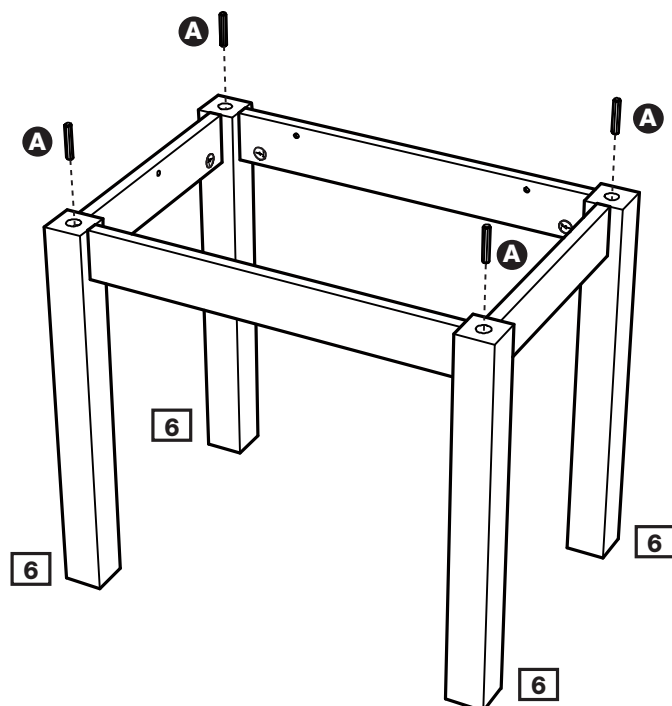


Step 2

Fitting the large table top

a: Insert Dowels **A** fully into the Large legs **6**.

a:



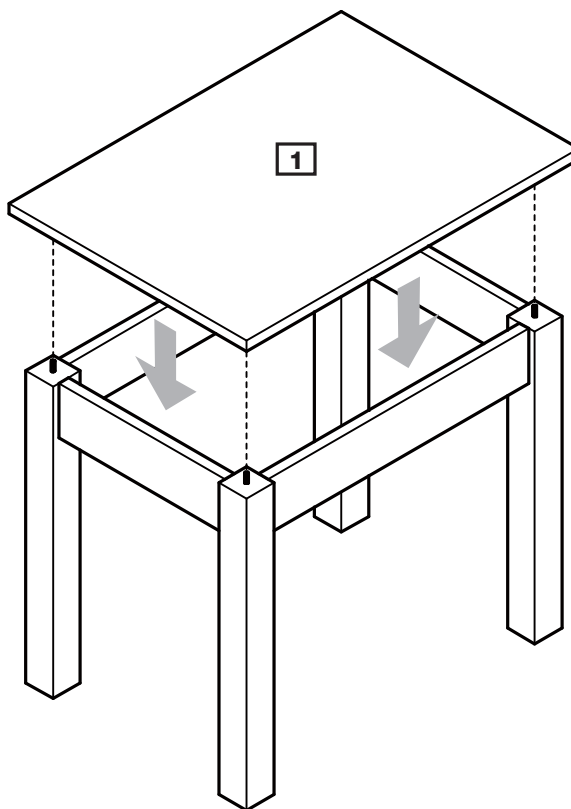
Continued on next page.

Assembly Instructions

Step 2 - continued

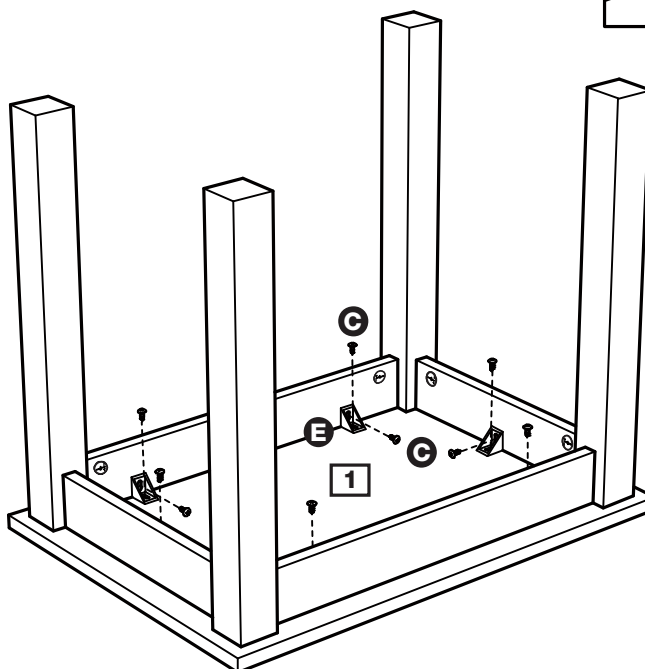
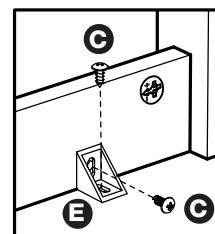
b: Carefully locate the Large table top **1** onto the unit.

b:



c: Use Screws **C** to fix Plastic supports **E** onto the Large table top **1**.

c:

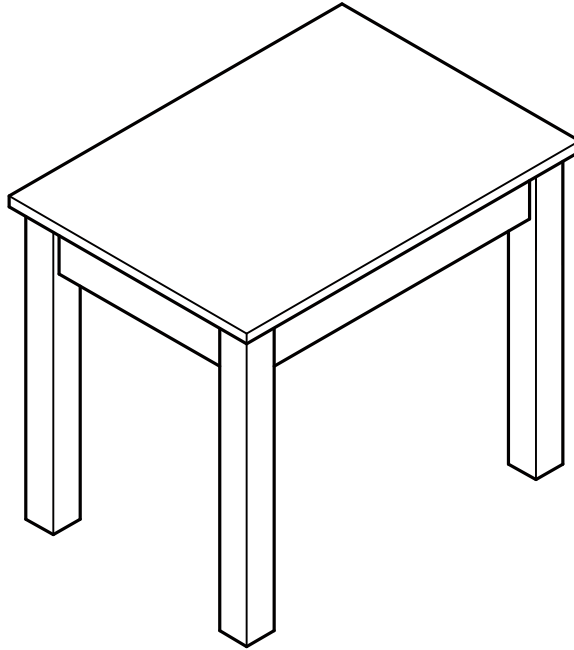


Assembly Instructions

Step 3

Finishing the large table

Carefully turn the table upright.



Step 4

Fitting the small legs

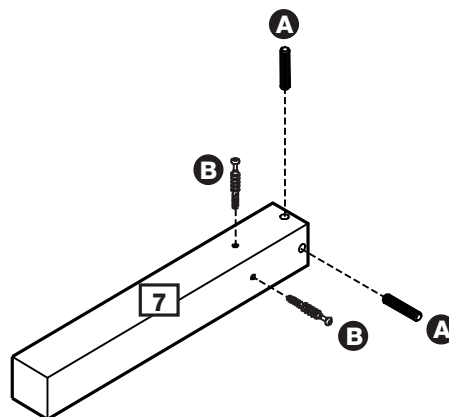
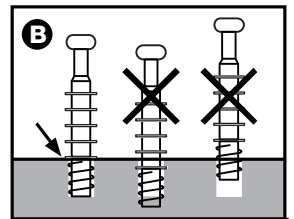
a: Insert Dowels **A** into the Small legs **7**.

Screw Locking pins **B** into the Small legs **7**.

Note: Insert Locking pins as far as shown.

Do not over tighten.

a:



X 4

Continued on next page.

Assembly Instructions

Step 4 - continued

Note: It would be useful to ask someone to help you at this stage.

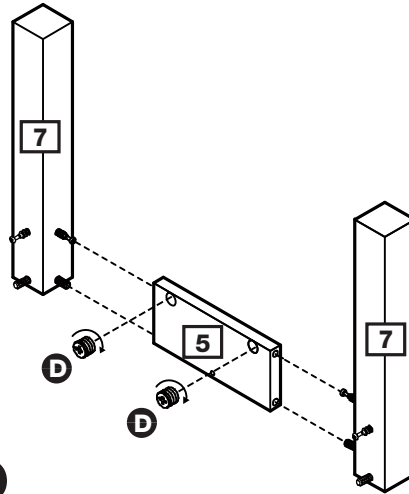
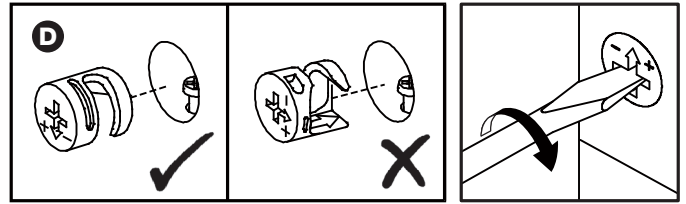
b: Use Locking nuts **D** to fix the Small legs **7** onto the Small support **5**.

Use a screwdriver to turn Locking nuts **D** clockwise to lock.

Note: The screw holes on the legs and support should align.

Note: Follow the same method as in fig. **b** to assemble the other legs.

b:



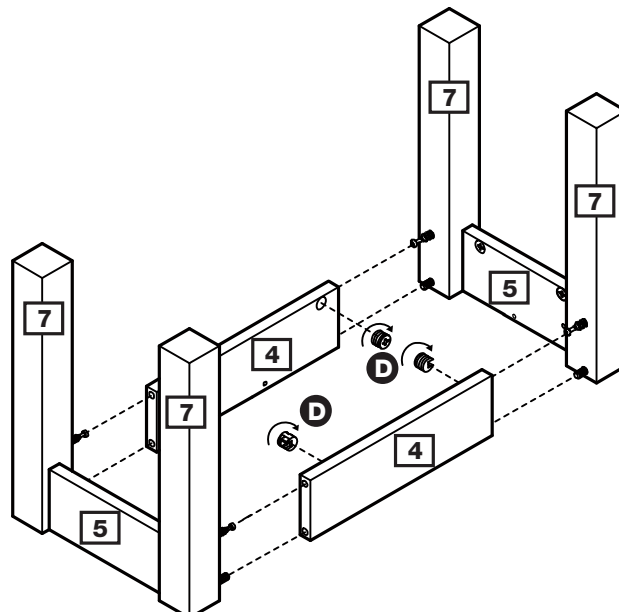
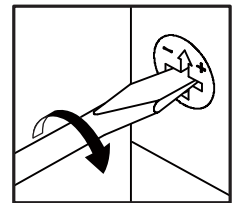
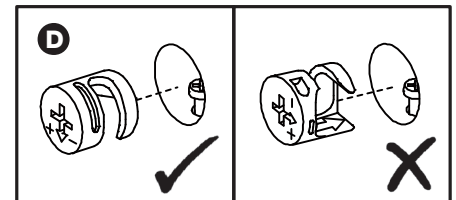
X 2

c: Use Locking nuts **D** to fix the Small legs **7** onto the Medium supports **4**.

Use a screwdriver to turn Locking nuts **D** clockwise to lock.

Note: The screw holes on the medium supports should face inward.

c:



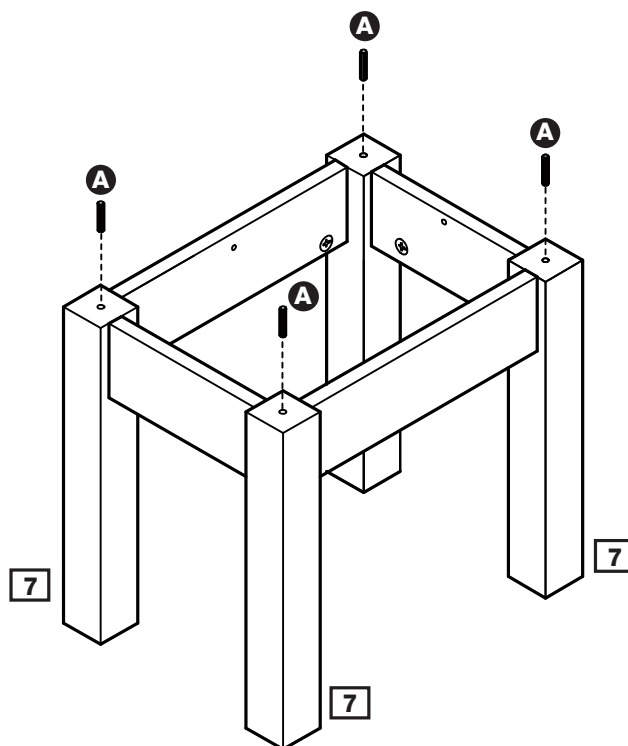
Assembly Instructions

Step 5

Fitting the small table top

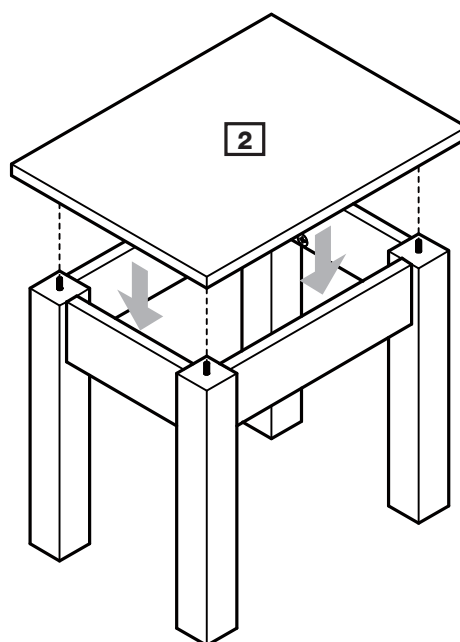
a: Insert Dowels **A** fully into the Small legs **7**.

a:



b: Carefully locate the Small table top **2** onto the unit.

b:



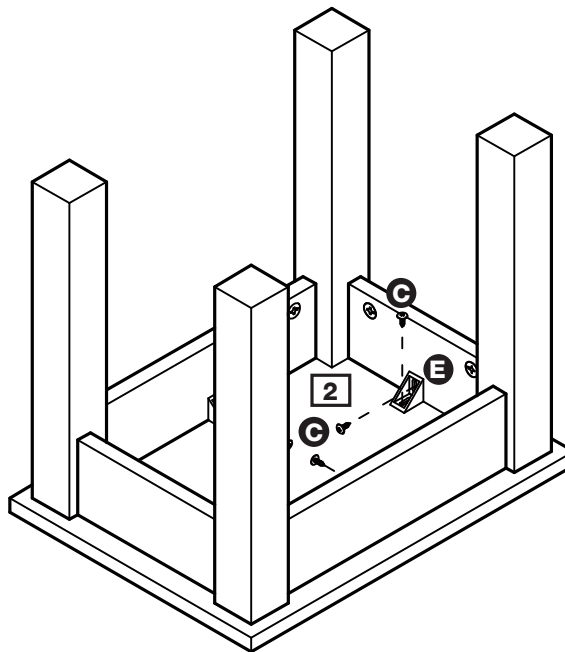
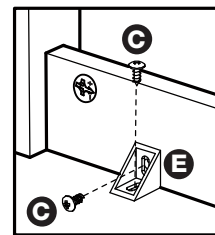
Continued on next page.

Assembly Instructions

Step 5 - continued

C: Use Screws **C** to fix Plastic supports **E** onto the Small table top **2**.

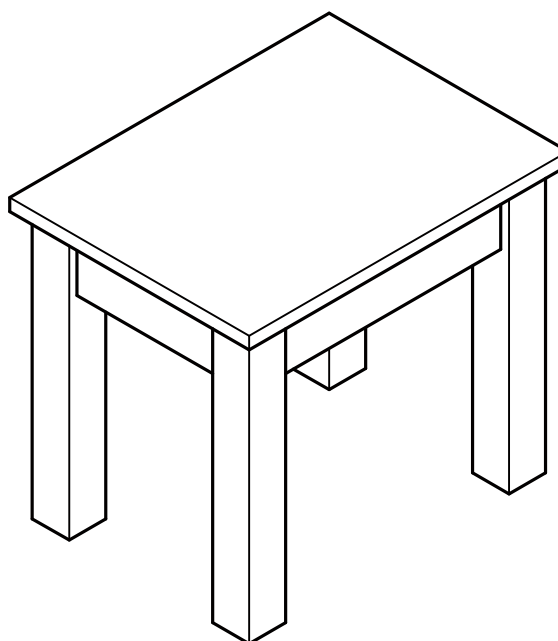
C:



Step 6

Finishing the Small table

Carefully turn the table upright.

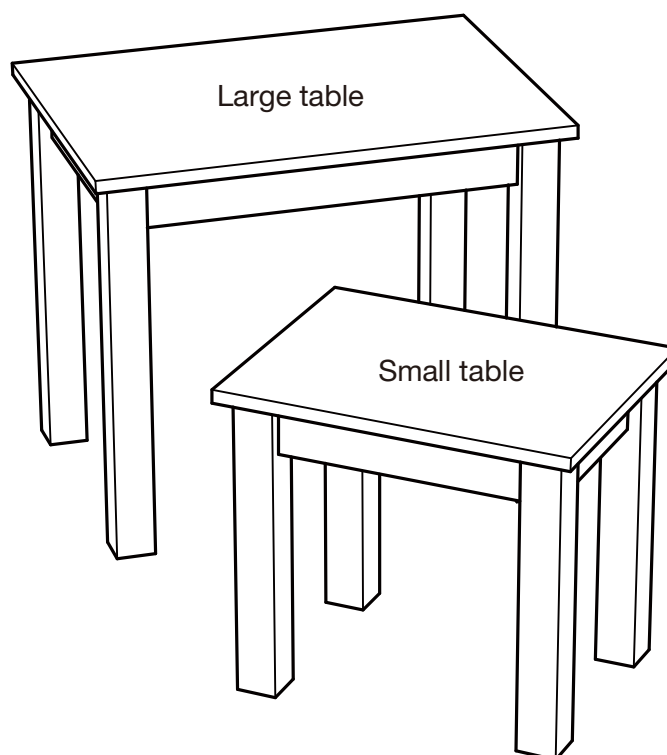


Assembly Instructions

Step 7

Finishing the unit

With help, place the unit in the intended position.



Assembly is complete.

If you need help or have damaged or missing parts, call the **Customer Helpline:**
Argos = 0345 6400800