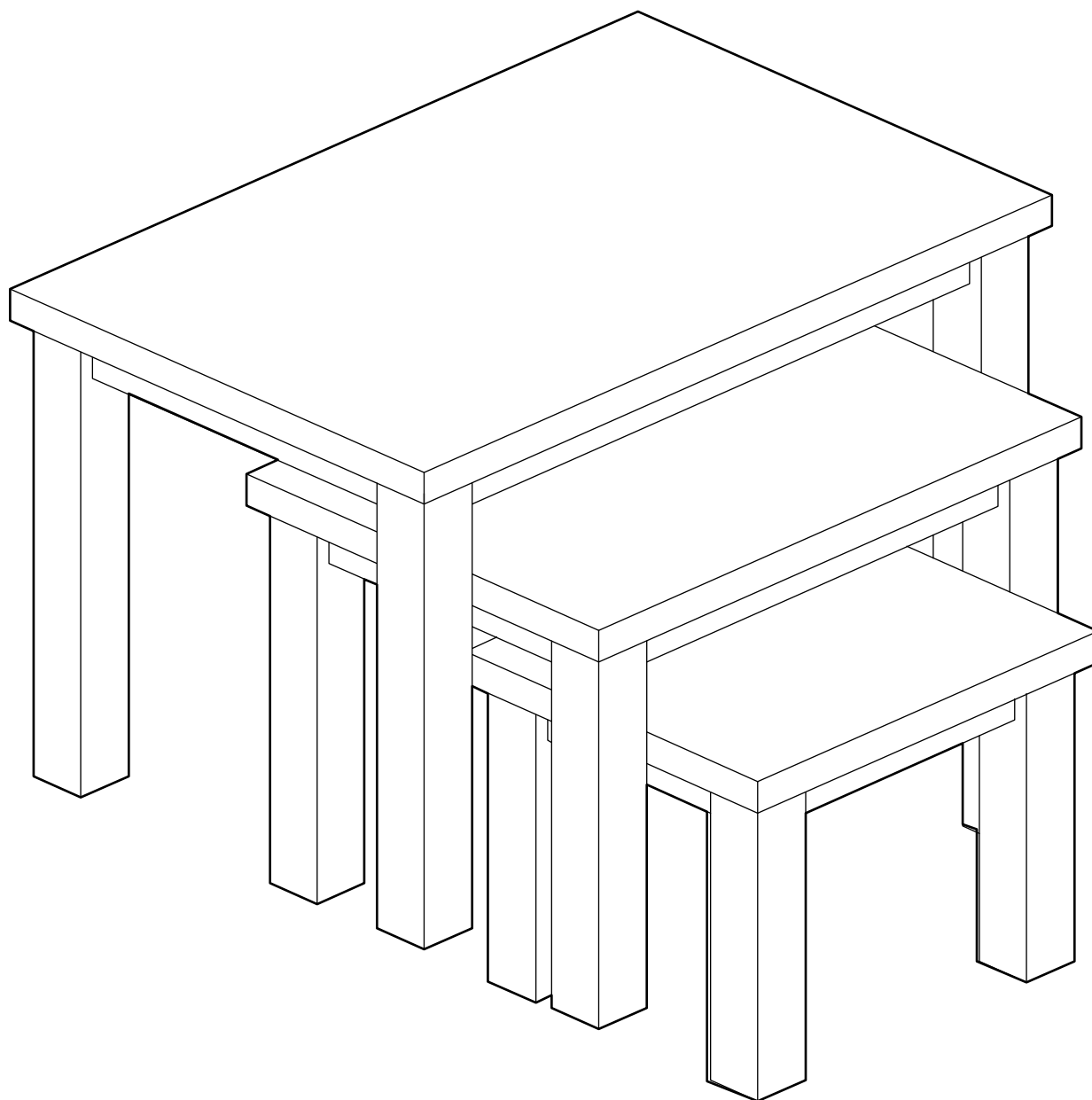


# Gloucester Nest of Tables

Assembly Instructions - Please keep for future reference

609/1233

357/6380



## Dimensions

Large	Medium	Small
Width - 53cm	Width - 40.7cm	Width - 28.7cm
Depth - 35cm	Depth - 29.8cm	Depth - 24.8cm
Height - 46.5cm	Height - 39.5cm	Height - 32cm

**Important** Please read these instructions fully before starting assembly

If you need help or have damaged or missing parts, call the

Customer Helpline: 08456 400800



# Safety and Care Advice

## Important – Please read these instructions fully before starting assembly

- Check you have all the components and fittings listed on page 2 and 3.
- Remove all fittings from the plastic bags and separate them into their groups.
- Keep children and animals away from the work area, small parts could choke if swallowed.
- Make sure you have enough space to layout the parts before starting.
- Keep this instructions for future use.
- Place the product on flat and steady surface during use.
- Dispose of all packaging carefully and responsibly.
- Do not stand or put excessive weight on the product, this could cause damage.

## Solid wood / Real wood veneers

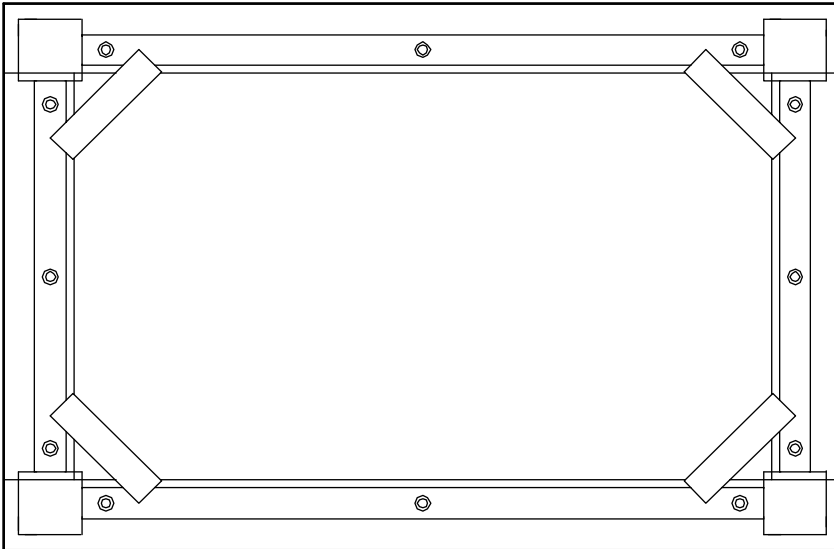
- This product has been finished using natural materials. As a living material, you may notice some variation in the grain and colour shade between the different components.
- Unlike a synthetic or man-made material which has a uniform finish, a feature of natural wood is its variation in grain and colour. We wish to reassure you that this is quite normal and is not the result of any manufacturing fault.
- Where sheets of wood are joined together, a line may be detected. Again, this is normal and is not an imperfection.
- The natural finish should be cared for by the periodic application of a good quality domestic furniture polish (Not silicone!!). Occasional / small spills should be removed immediately using a damp cloth.
- Do not allow hot articles to come into contact with the surface, as damage will occur!

## Care and maintenance

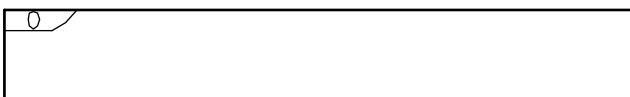
- Clean using a damp cloth or a proprietary domestic furniture polish. Do not use abrasive cleaners.
- This product should not be discarded with household waste. Take to your local authority waste disposal only.
- From time to time check that there are no loose screws on this unit.

# Components - Parts

Please check you have all the parts listed below



- 1** Table top (Large) (53 x 35cm)
- 3** Table top (Medium) (40.7 x 29.8cm)
- 5** Table top (Small) (28.7 x 24.8cm)



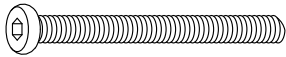


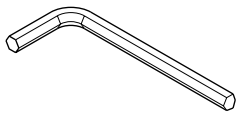
- 2** Leg (Long) x 4 (43.5 x 4cm)
- 4** Leg (Medium) x 4 (36 x 4cm)
- 6** Leg (Short) x 4 (28.5 x 4cm)

# Components - Fittings

If you have damaged or missing components, call the **Customer Helpline: 08456 400800**

Please check you have all the fittings listed below

**Note:** The quantities below are the correct amount to complete the assembly. In some cases more fittings may be supplied than are required.

<p><b>A</b></p>  <p>60mm Allen screw x 12</p>	<p><b>B</b></p>  <p>Spring washer x 12</p>	<p><b>C</b></p>  <p>Plain washer x 12</p>
<p><b>D</b></p>  <p>Allen key x 1</p>		

# Assembly Instructions

## Step 1

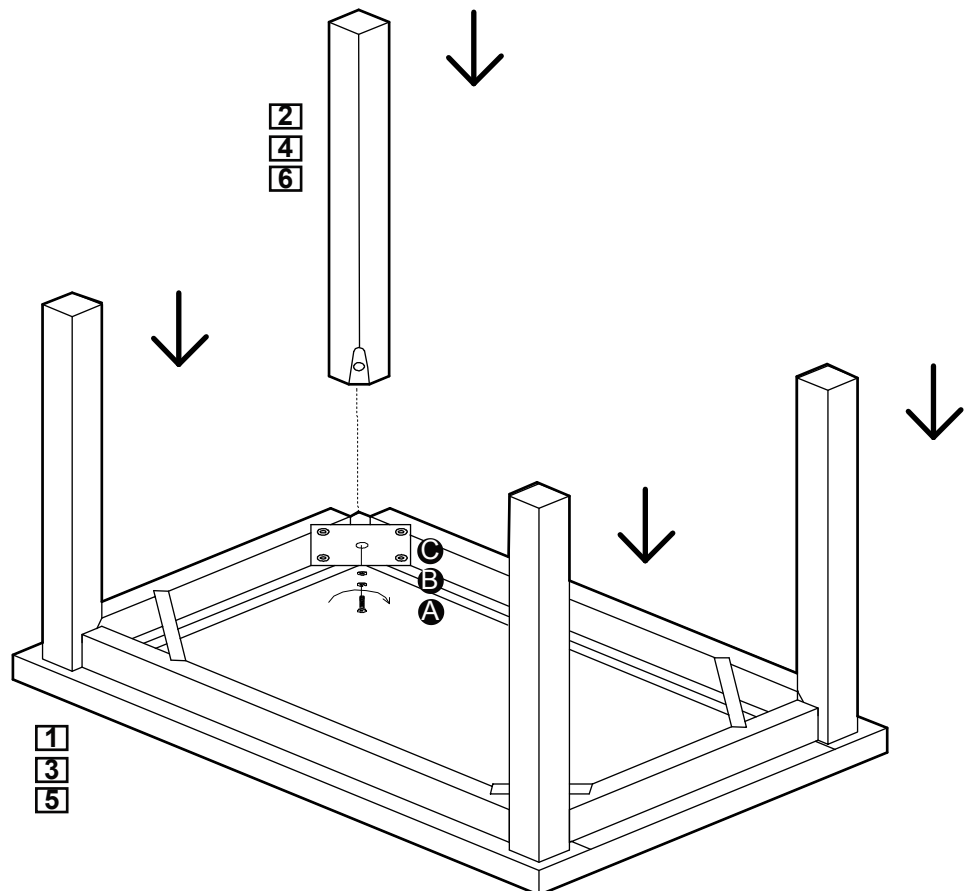
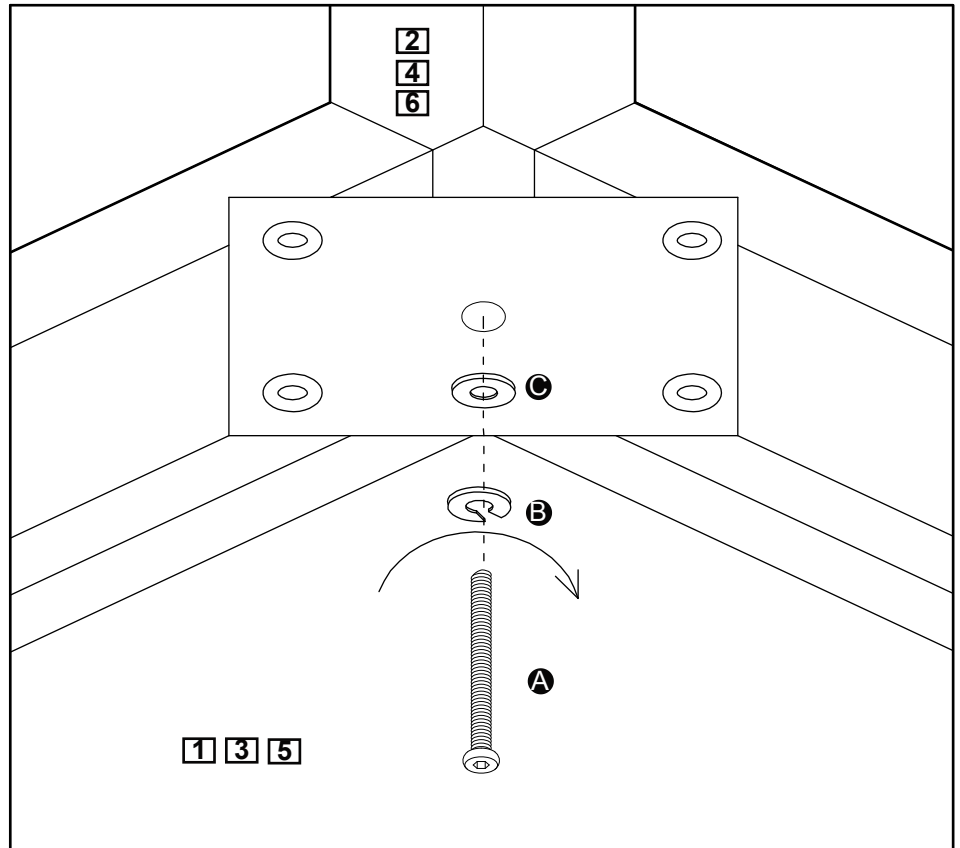
### Attaching legs

Place table top **1** upside down onto a clean flat surface.

Assemble legs **2** to table top **1** using fixings **A**, **B** and **C**.

Repeat for medium table using top **3** and legs **4**.

Repeat for small table using top **5** and legs **6**.



**Assembly is complete.**

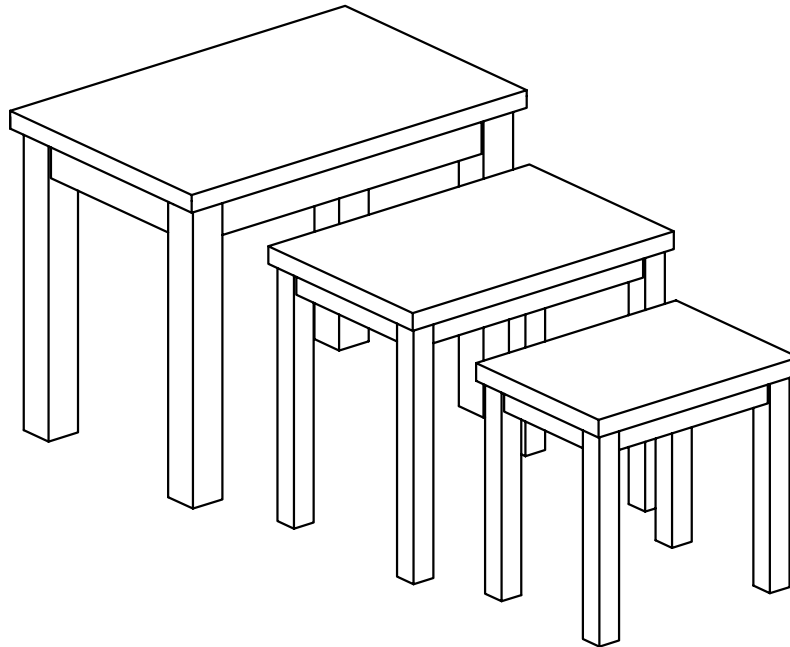
If you need help or have damaged or missing parts, call the **Customer Helpline: 08456 400800**  
Home Retail Group, 489-499 Avebury Boulevard, Saxon Gate West, Central Milton Keynes, MK9 2NW

# Justwise Group Ltd

Gloucester 3pc Nest Of Tables

Stock Ref: FGLON

## Assembly Instructions

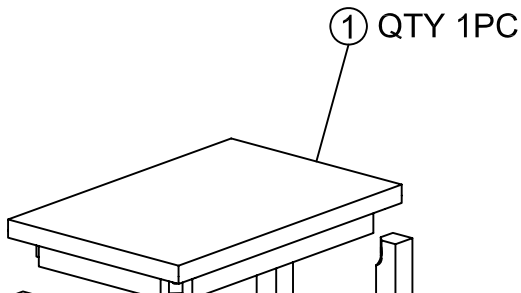
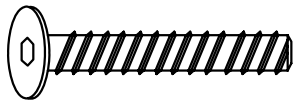
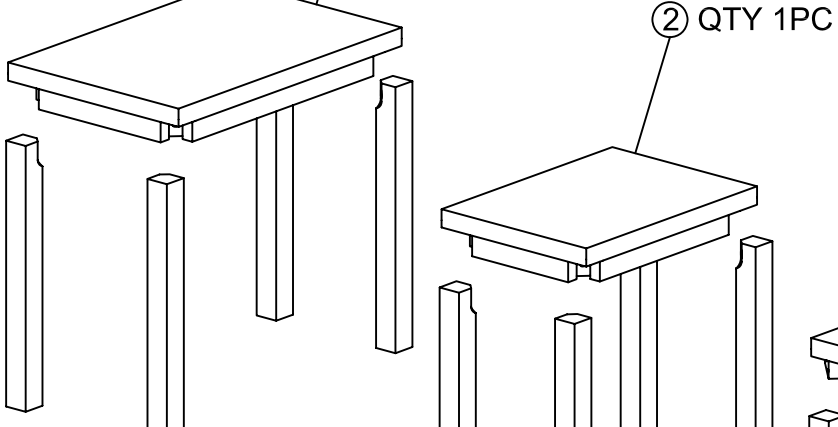

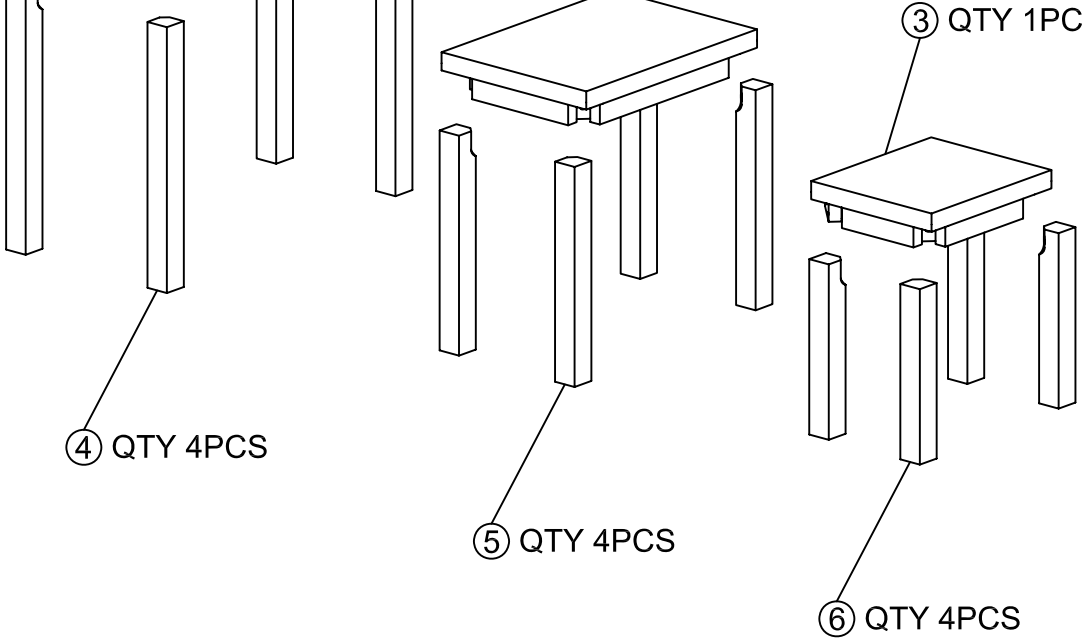




**Before you start, here is some helpful advice**

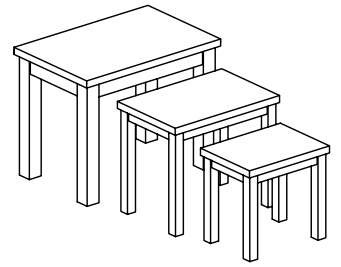
1. We suggest you spend a short time reading through this leaflet and then follow the simple step by step instructions.
- 2.If you follow the instructions carefully the end result should be worth the effort.
- 3.Do not discard any of the packaging until you have checked that you have all the parts and the pack of fittings.
- 4.Assemble this product on a carpet.
- 5.To ensure an easier assembly, we strongly advise that all fittings are only finger tightened during initial assembly. Only upon completion of the assembly should all fixing points be fully tightened.
- 6.We recommend a periodic check on all fixing points to make sure they remain fully tightened.
- 7.Keep glue and fittings out of children's reach.

In the unlikely event that this product has missing or damage parts, please call 01799 513466 to obtain spares.

# Component parts and fittings contained in the box

Parts	Fitting
 <p>① QTY 1PC</p>	① QTY 12PCS 
 <p>② QTY 1PC</p> <p>④ QTY 4PCS</p>	② QTY 12PCS 
 <p>③ QTY 1PC</p> <p>⑤ QTY 4PCS</p> <p>⑥ QTY 4PCS</p>	③ QTY 12PCS 
	④ QTY 1PC 

# Assembly

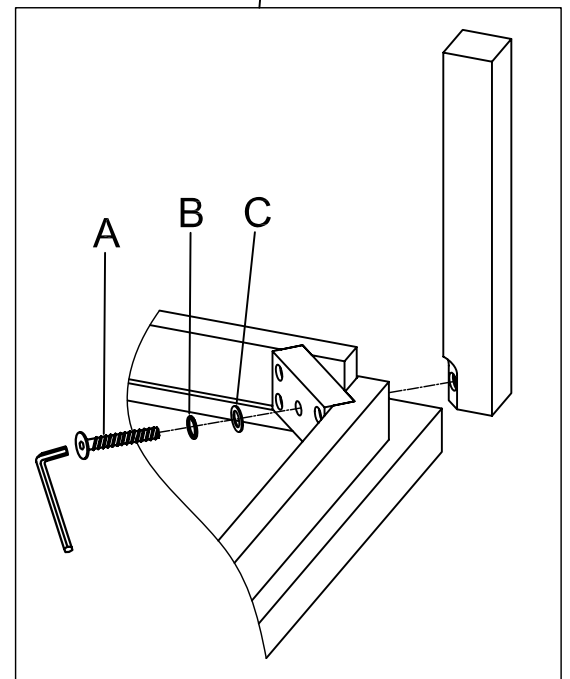
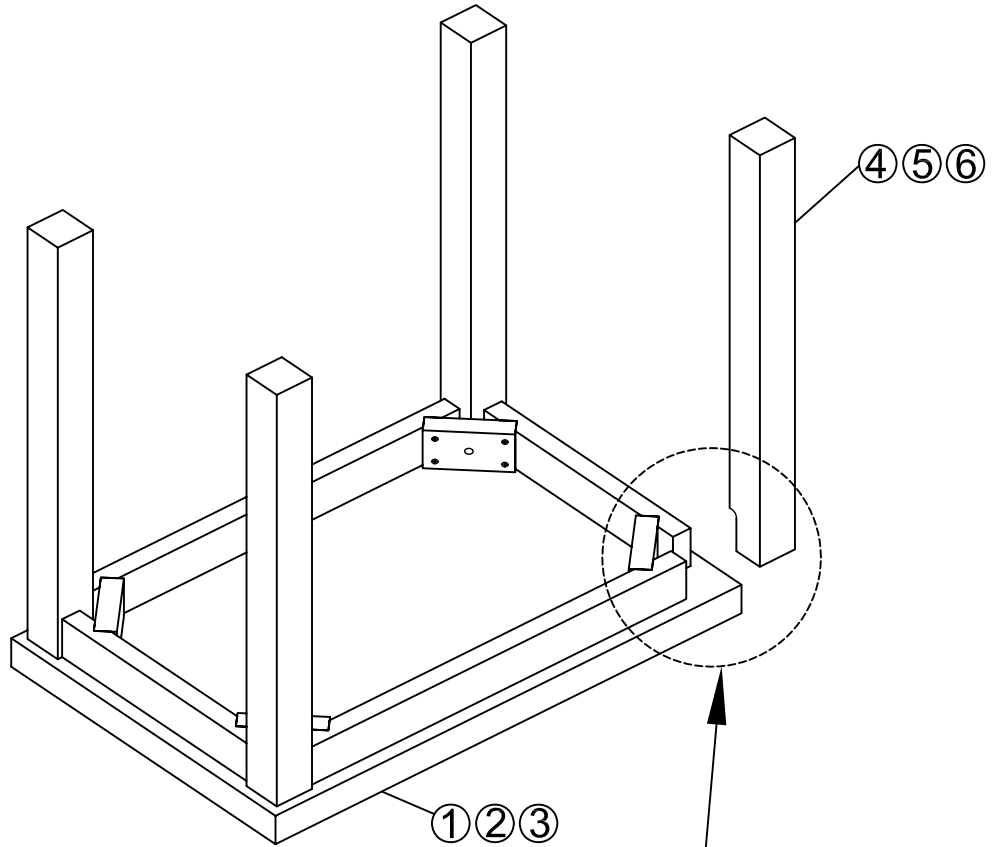


1) Lay large table top ① upside down onto a clean flat surface.

2) Assemble Large table legs ④ using fixings ①, ② and ③.

3) Repeat for Medium table top ② and legs ⑤.

4) Repeat for Small table top ③ and legs ⑥.





# Customer Support

We have taken great care to ensure this item arrives complete and in good condition. Please unpack each piece carefully and confirm that all parts listed are available.

In the unlikely event that any of the smaller parts are missing or damaged, then we undertake to replace them as soon as possible.

To secure missing or damaged parts, or to seek further assembly or product related advice ,you can contact our customer services department by email at :

[cs@justwise.com](mailto:cs@justwise.com)

Alternatively if you prefer to speak to our customer services staff, please telephone **01799 513466**.

(**Note:** The company reserves the right to modify the design, construction, colour and price without prior notice.)

**Justwise Group Ltd  
6 The Shires  
Shire hill Industrial Estate  
Saffron Walden  
Essex  
CB11 3AP**

**Email: [cs@justwise.com](mailto:cs@justwise.com)**

**Tel:01799 513466**

**Fax:01799 525657**

## **Customer Information**

### **Solid wood / real wood veneers**

This product has been finished using natural materials. As a living material, you may notice some variation in the grain and colour shade between the different component parts.

Unlike a synthetic or man-made material which has a uniform finish, a feature of natural wood is its variation in grain and colour, we wish to reassure you that this is quite normal, and is not the result of any manufacturing fault.

Where sheets of veneer are joined together, a line may be detected, again, this is normal, and is not an imperfection.

The natural finish should be cared for by the periodic application of a good quality 'wax' based domestic furniture polish (not silicone). Occasional small spills should be removed immediately using a damp cloth.

Do not allow hot articles to come into contact with the surface, as damage will occur!