

# Components

Ⓐ 1 x Top Panel



Ⓒ 1 x Bottom Panel



Ⓗ 12 x Covering Sicker



Ⓙ 16 x Shelf Support



Ⓑ 4 x Shelf



Ⓓ 1 x Middle Support



Ⓚ 16 x Support Cover



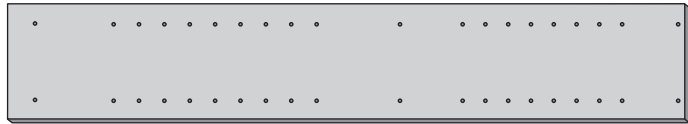
Ⓛ 1 x Top Back Panel



Ⓔ 1 x Front Panel



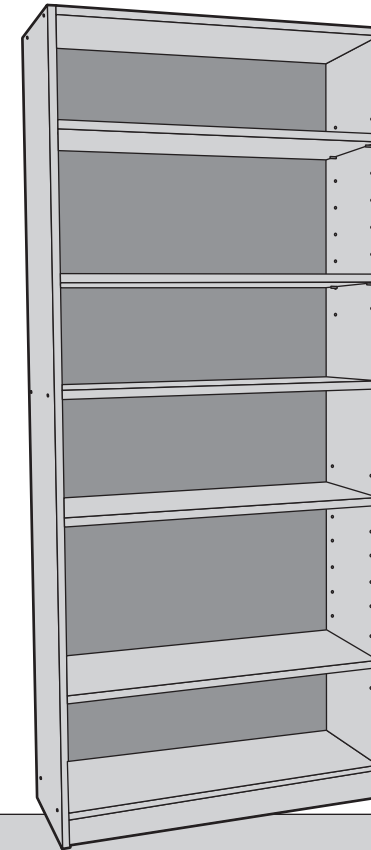
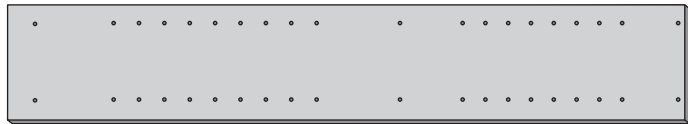
Ⓕ 1 x Right Side Panel



Ⓜ 1 x Bottom Back Panel



Ⓖ 1 x Left Side Panel



# Tall Wide Bookcase

Simple Assembly Instructions - Please keep for future reference

# Fittings

Ⓐ 12 x Screw



Ⓑ 46 x Nail



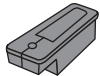
Ⓒ 9 x Screw



Ⓓ 4 x Plastic Support



Ⓔ 1 x Nail Guide



Ⓕ 1 x Wall Strap



## IMPORTANT

1. Read these instructions carefully and familiarise yourself with the procedure before assembling the unit.
2. Check that you have all the component parts following the list on the back cover and familiarise yourself with each part before proceeding.
3. Take all the fittings out of the plastic bag and separate them into their groups.
4. Ensure you have enough space to lay out all the parts before assembly.
5. To avoid scratching it is recommended that you assemble the unit on a soft level surface.

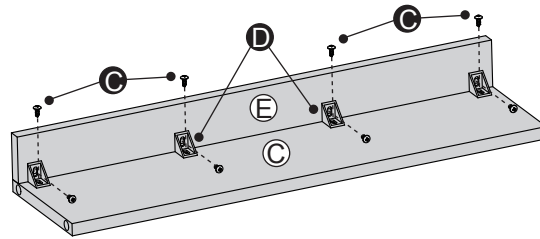
# Assembly Instructions

## Stage 1 – Fitting the Bottom Panel

**NOTE:** It would be useful to ask someone to help you at this stage.

1. Use Screws **C** to fix the Plastic Supports **D** onto the unit.  
**See fig. 1.**

fig. 1



2. Use Screws **A** to fix the Bottom Panel **C** and Middle Support **D** to fix the Left Side Panel **G** and Right Side Panel **F**.  
**See fig. 2.**

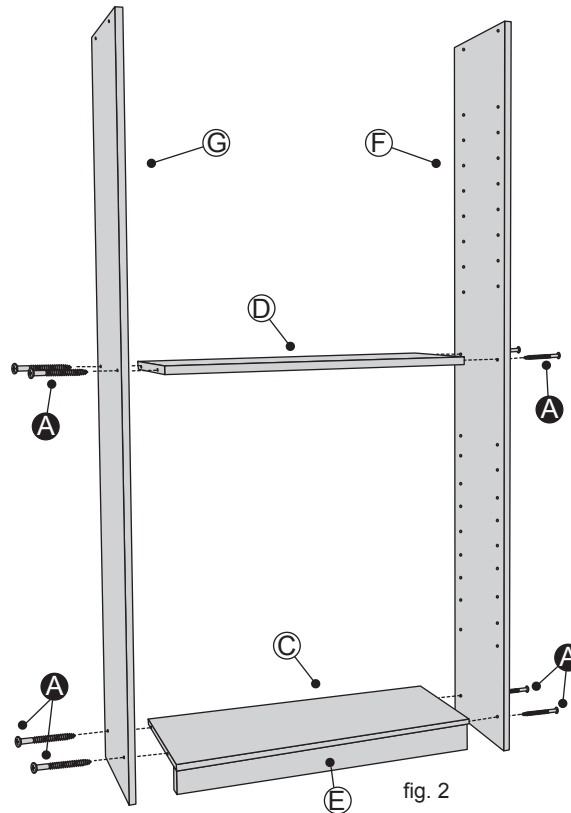


fig. 2

# Assembly Instructions

## Stage 2 – Fitting the Top Panel

**NOTE:** It would be useful to ask someone to help you at this stage.

1. Use Screws **A** to fix the Top Panel **A** onto the unit.  
**See fig. 3.**

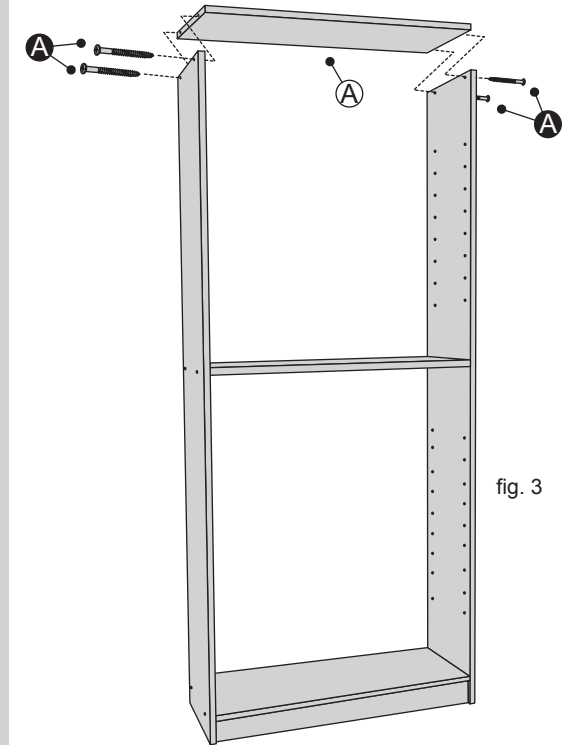


fig. 3

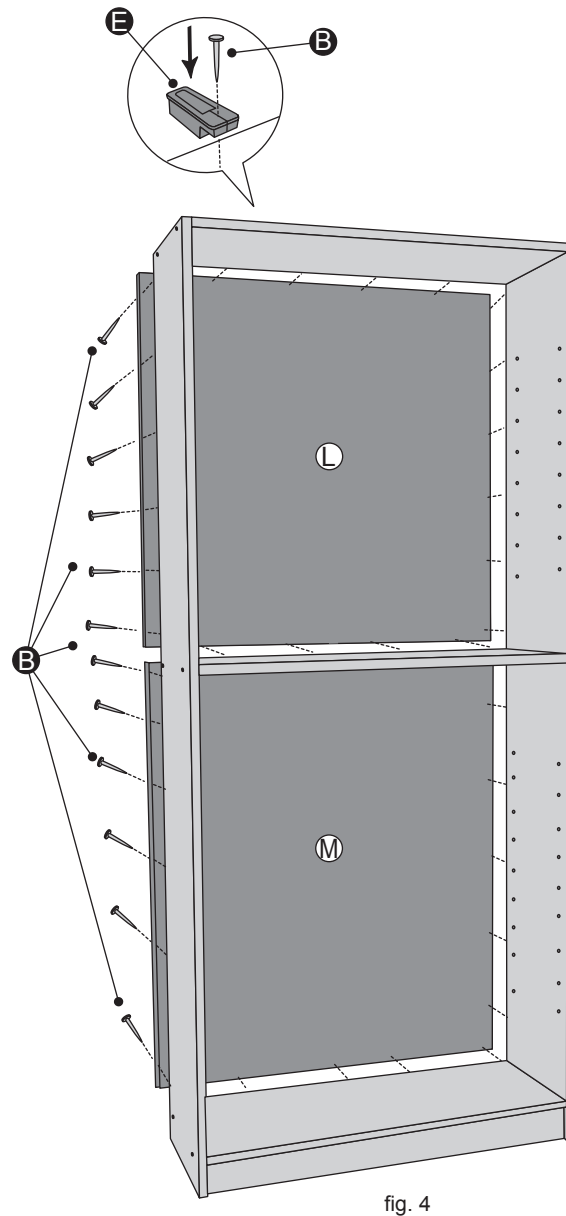
# Assembly Instructions

## Stage 3 – Fitting the Back Panels

**NOTE:** It would be useful to ask someone to help you at this stage.

1. Use Nails **B** to fix the Top Back Panels **L** and Bottom Back Panels **M** onto the unit.  
**See fig. 4.**

**NOTE:** Use Nail Guide **E** to keep a constant distance from the edge to Nails **B**.



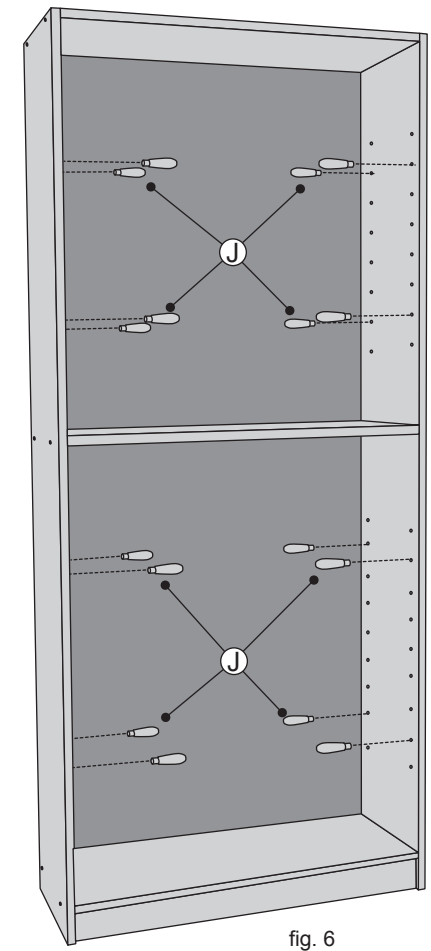
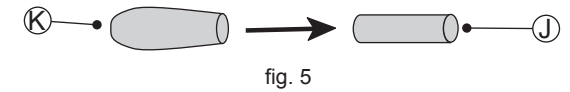
# Assembly Instructions

## Stage 4 – Fitting the Shelf Supports

1. Slide Support Covers **K** onto Shelf Supports **J**.  
**See fig. 5.**

2. Insert Shelf Supports **J** into the unit. Ensure they are well fitted before inserting the Shelves.  
**See fig. 6.**

**NOTE:** Set the shelf supports to the desired height.



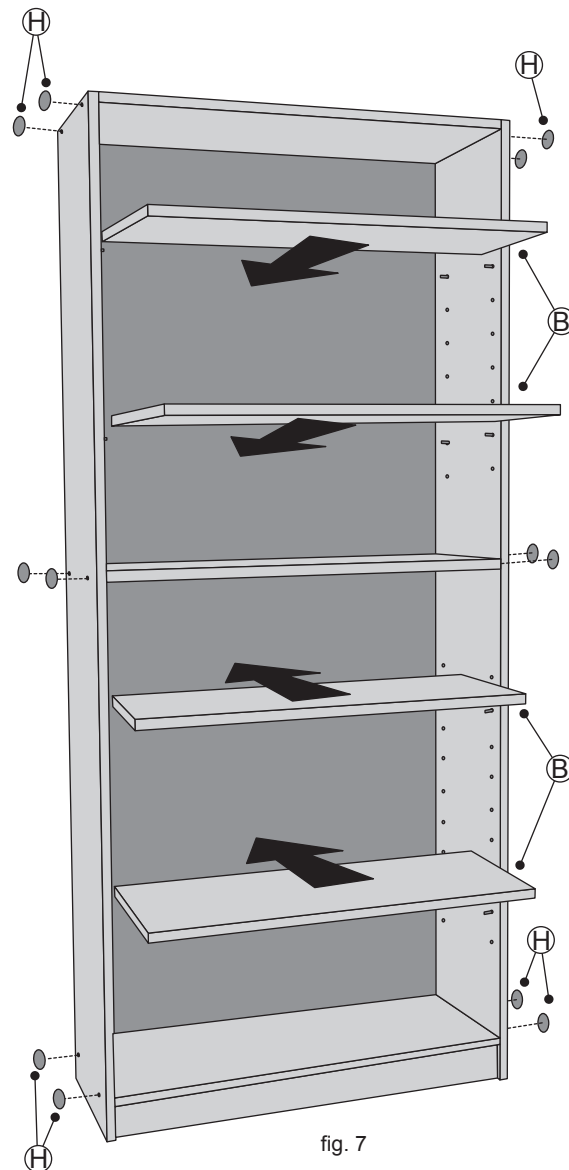
# Assembly Instructions

## Stage 5 – Fitting the Shelves

**NOTE:** It would be useful to ask someone to help you at this stage.

1. Slide Shelves **(B)** into the unit.  
See fig. 7.

2. Use Covering Sticker **(H)** to cover the Screw Heads.  
See fig. 7.



# Assembly Instructions

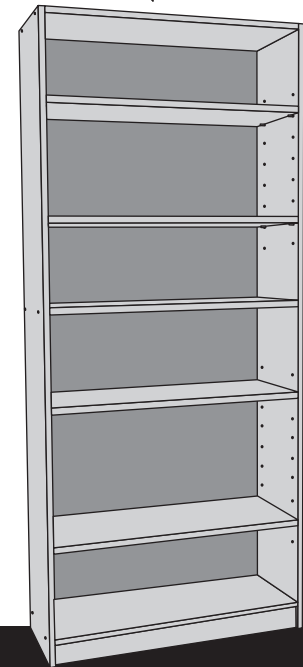
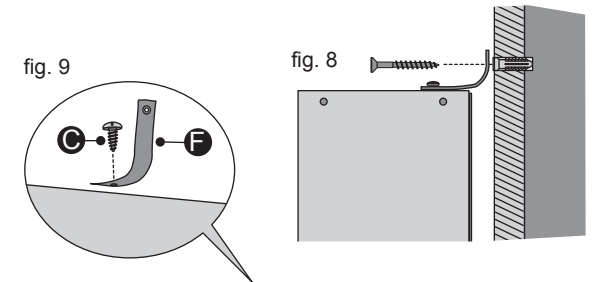
## Stage 6 – Finishing the Unit

**IMPORTANT:** When drilling into walls always check that there are no hidden wires or pipes etc. Make sure that the screws and wall plugs supplied are suitable for supporting the unit. Consult a qualified tradesperson if you are not sure.

**NOTE:** It would be useful to ask someone to help you at this stage.

1. Carefully place the unit in the desired location.  
See fig. 10.
2. Use Screw **(C)** to fix the Wall Strap **(F)** onto the top of the unit.  
See fig. 9.
3. Drill a hole at the desired height and insert Wall Plug into the hole. Pass Screw through loose end of Wall Strap **(F)** to fix the unit to the wall.  
See fig. 8.

**NOTE:** Before use always make sure the unit is secure. Please wait 8 hours until Glue is completely dry



## Care and Maintenance

### Safety

To avoid any risk of suffocation to animals or children dispose of the plastic bags immediately.

### Cleaning

As with all surfaces clean with a damp cloth and mild detergent, do not use bleach or abrasive products.

### Fitting

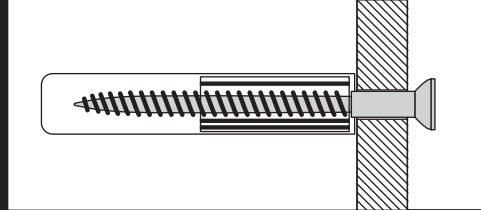
From time to time please ensure there are no loose screws on the product.

# A Guide to


## Wall Mounting & Fixings

### IMPORTANT:

When drilling into walls always check that there are no hidden wires or pipes etc. Make sure that the screws and wall plugs being used are suitable for supporting your unit. Consult a qualified tradesperson if you are unsure.



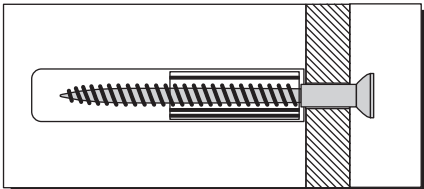
### HINTS:

- 1) General Rule  Always use a larger screw and wall plug if you are not sure.
- 2) Ensure you use the recommended drill bit to match the wall plug and hole size.
- 3) Ensure you drill the hole horizontally, do not force the drill or enlarge the hole.
- 4) Take extra care when drilling high walls, ceilings and ceramic tiles. Ensure the plug is fitting below the ceramic tile to avoid splitting or cracking.
- 5) Ensure wall plugs are well fitted and are a tight fit in the drilled hole.

### Types Of Walls

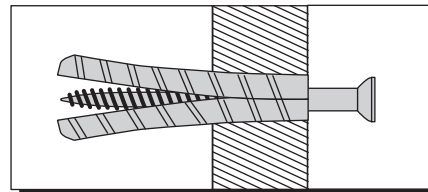
You can use one of the following types of wall plug if your walls are made of brick, breeze block, concrete, stone, wood or plaster board.

#### No.1 "Standard" Wall Plug General Wall Materials



These come in various sizes and are made from plastic or sometimes wood fiber.

#### No.2 "General Purpose" Wall Plug Aerated / Breeze Block

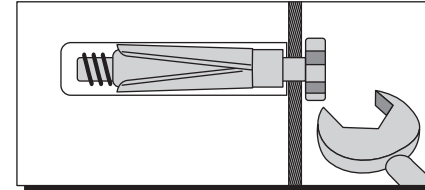


Generally aerated blocks should not be used to support heavy loads, use a specialist fitting in this case. For light loads, a General Purpose Plug can be used.

# A Guide to

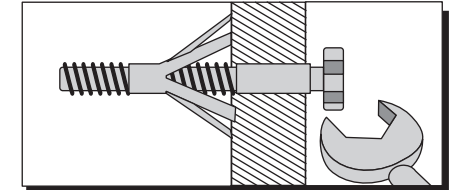
## Wall Mounting & Fixings

#### No.3 "Shield Anchor" Wall Plug Heavy Loads



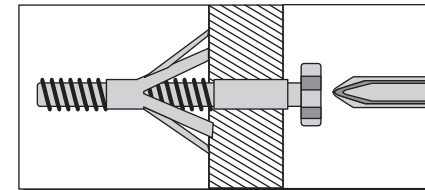
For use with heavier loads such as TV & HiFi Speakers and Satellite Dishes etc.

#### No.5 "Cavity Fixing - Heavy Duty" Wall Plug



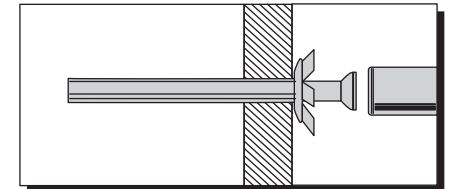
For use when fitting or supporting heavy loads such as shelving, wall cabinets, coat racks.

#### No.4 "Cavity Fixing" Wall Plug



For use with plaster board partitions or hollow wooden doors.

#### No.6 "Hammer Fixing" Wall Plug



For use with walls stuck with plaster board. The hammer fixing allows it to be fixed to the wall rather than the plaster board. Always check the fixing is secure to the retaining wall.

### CARE & MAINTENANCE

#### SAFETY

Always check the fitting and location to ensure your safety in and around the home.

#### FITTING

From time to time check the fitting to ensure the wall plugs or screws do not become loose.

# Tall Wide Bookcase

Assembly Instructions - Please keep for future reference

609/1013

609/2074

609/2122

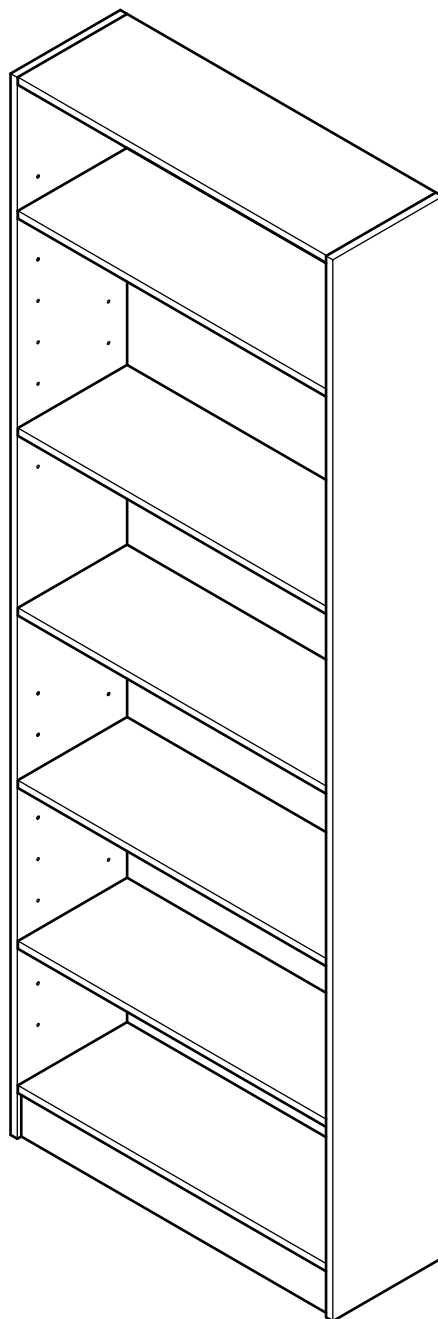
609/2524

609/3561

610/9503

610/9510

610/9527



## Dimensions

Width - 78cm

Depth - 20.1cm

Height - 180.1cm

**Important** - Please read these instructions fully before starting assembly

If you need help or have damaged or missing parts, call the Customer Helpline: 08456 400800



# Safety and Care Advice

**Important - Please read these instructions fully before starting assembly**

- Check you have all the components and tools listed on pages 2 and 3.
- Remove all fittings from the plastic bags and separate them into their groups.
- Keep children and animals away from the work area, small parts could choke if swallowed.
- Make sure you have enough space to layout the parts before starting.
- Do not use this item if any components are missing or damaged.

- Do not stand on the product, this could cause damage.
- Assemble the item as close to its final position (in the same room) as possible.
- Assemble on a soft level surface to avoid damaging the unit or your floor.
- Parts of the assembly will be easier with 2 people.



- We do not recommend the use of power drill/drivers **for inserting screws**, as this could damage the unit. Only use hand screwdrivers.
- Dispose of all packaging carefully and responsibly.

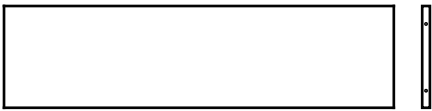
## Care and maintenance

- Only clean using a damp cloth and mild detergent, do not use bleach or abrasive cleaners.
- From time to time check that there are no loose screws on this unit.
- This product should not be discarded with household waste. Take to your local authority waste disposal centre.

# Components - Panels

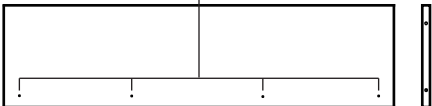
If you have damaged or missing components, call the **Customer Helpline: 08456 400800**

Please check you have all the panels listed below

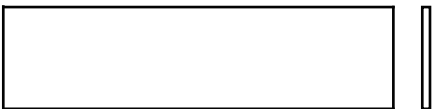


**1** Fixed panel x 2 (74.9 x 19.4cm)  
(Two sides foiled)

Pilot holes for guidance only



**2** Bottom panel (74.9 x 19.4cm)  
(One side foiled)

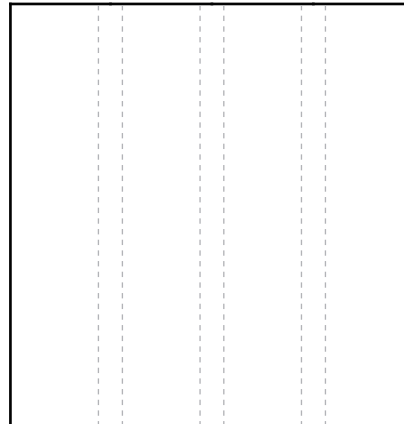


**3** Shelf x 4 (74.9 x 19.4cm)

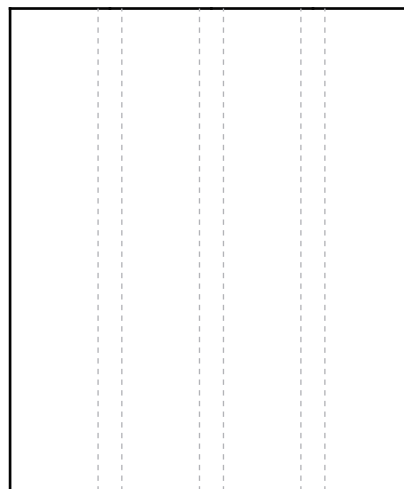
Pilot holes for guidance only



**4** Front panel (74.9 x 5.9cm)

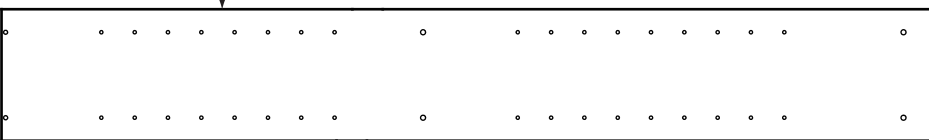


**7** Top back panel (76.8 x 80.8cm)

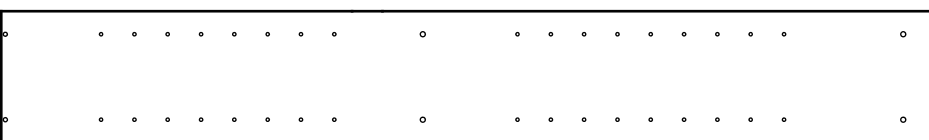


**8** Bottom back panel (76.8 x 92.4cm)

Finished front edge



**5** Right side panel (180 x 19.6cm)



**6** Left side panel (180 x 19.6cm)



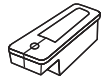



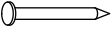


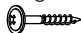
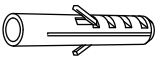
Finished front edge




# Components - Fittings

Please check you have all the fittings listed below


**Note:** The quantities below are the correct amount to complete the assembly. in some cases more fittings may be supplied than are required.

<b>A</b>  Plastic support x 4	<b>B</b>  14mm Screw x 9	<b>C</b>  Nail guide x 1
<b>D</b>  50mm Screw x 12	<b>E</b>  Support cover x 16	<b>F</b>  Shelf support x 16
<b>G</b>  Nail x 46	<b>H</b>  Screw cover x 12	<b>I</b>  (This screw is included in the bag of wall strap) Wall strap x 1  x 1
<b>J</b>  Wall plug x 1		

## Tools required

 Phillips screwdriver (medium & large)

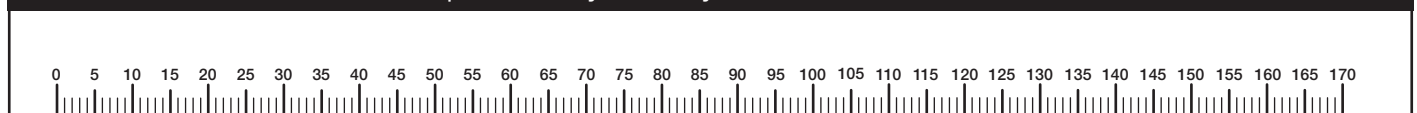
 Bradawl (or sharp point)

 Small hammer

 Ruler/tape measure

 Eye protection (when using a hammer or glue)

Ruler - Use this ruler to help correctly identify the screws

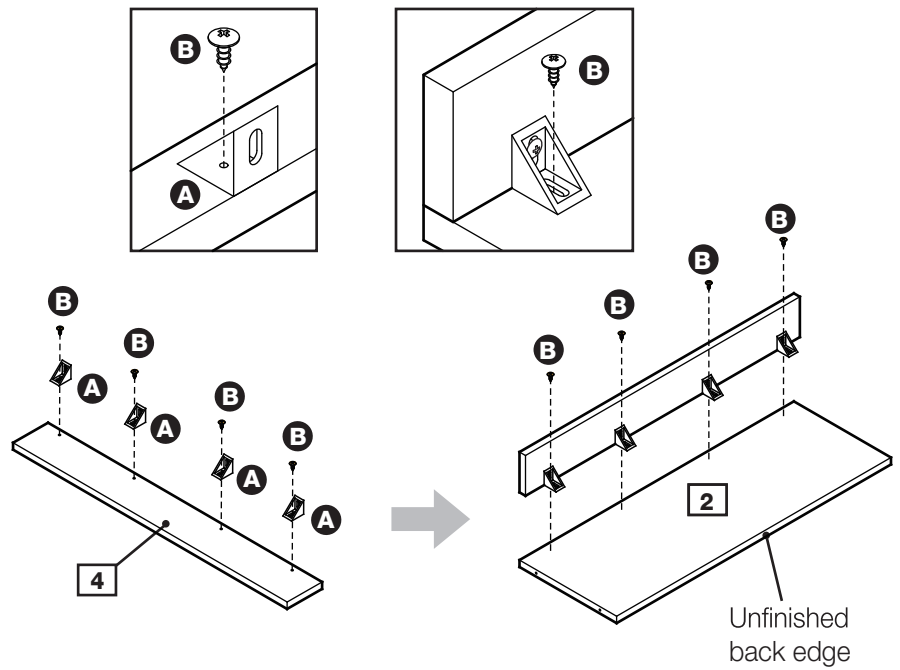


# Assembly Instructions

## Step 1

### Attaching bottom panel

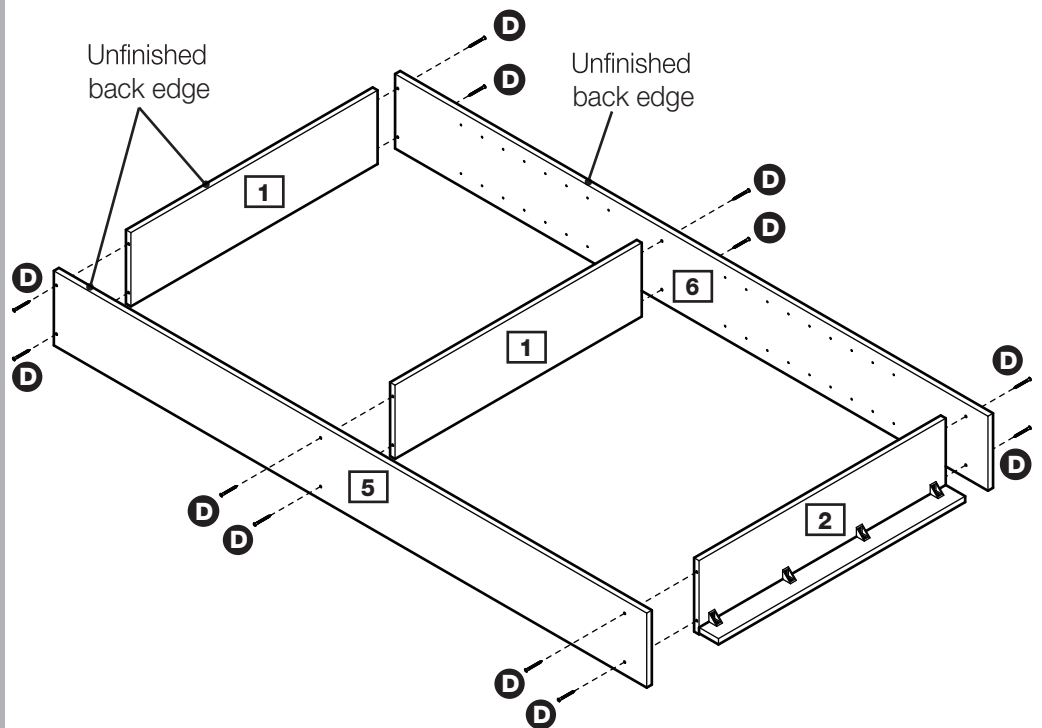
Use Plastic supports **A** and Screws **B** to fix the Front panel **4** onto the Bottom panel **2**.



## Step 2

### Attaching side panels

Use Screws **D** to fix the Left side panel **6** and Right side panel **5** onto the Bottom panel **2** and Fixed panels **1**.



# Assembly Instructions

## Step 3

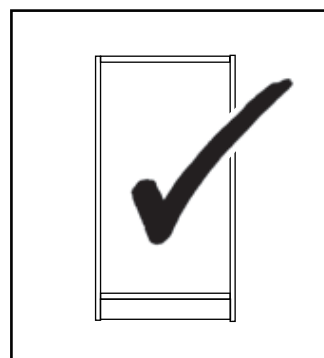
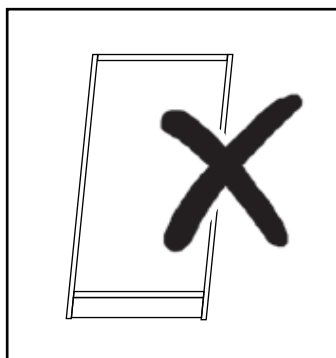
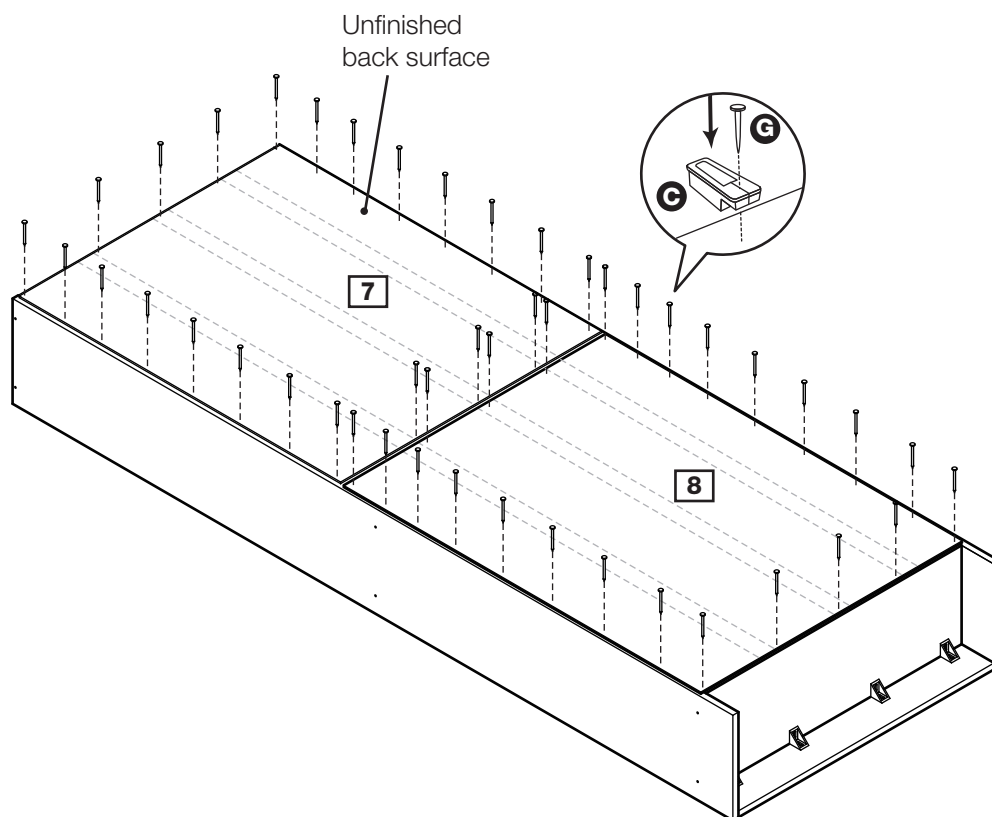
### Fixing back panels

Use Nails **G** to fix the Top back panel **7** and Bottom back panel **8** onto the unit.

**Note:** Use Nail guide **C** to keep a constant distance from the edge.



**Important:**  
The cabinet **MUST** be 'square' when the back is attached.



# Assembly Instructions

## Step 4

### Attaching shelves

With help, carefully stand bookcase upright.



**Warning:**

The bookcase is heavy.  
Lift with care.

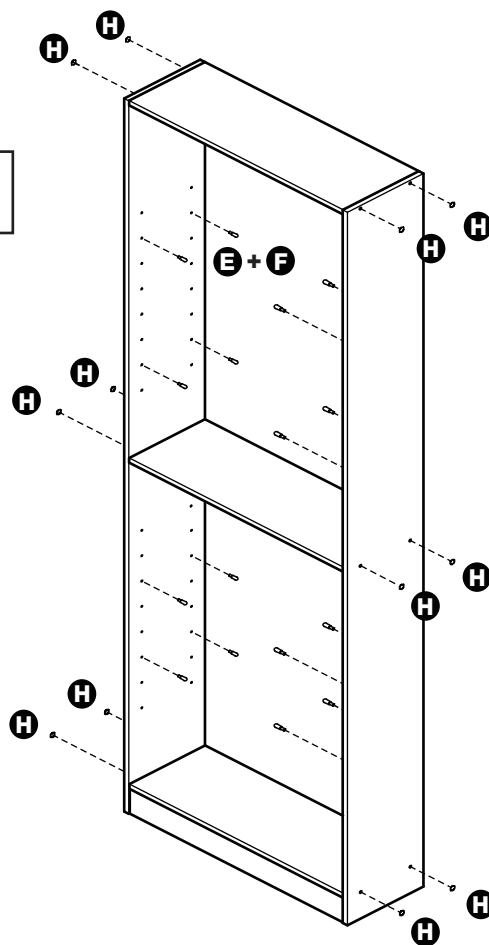
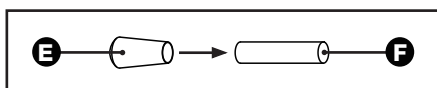
**a:** Slide Support covers **E** onto Shelf supports **F**.

Insert Shelf supports **F** (Support covers **E** are included) into the unit. Ensure they are well fitted before inserting the Shelves.

**Note:** Set the shelf supports to the desired height.

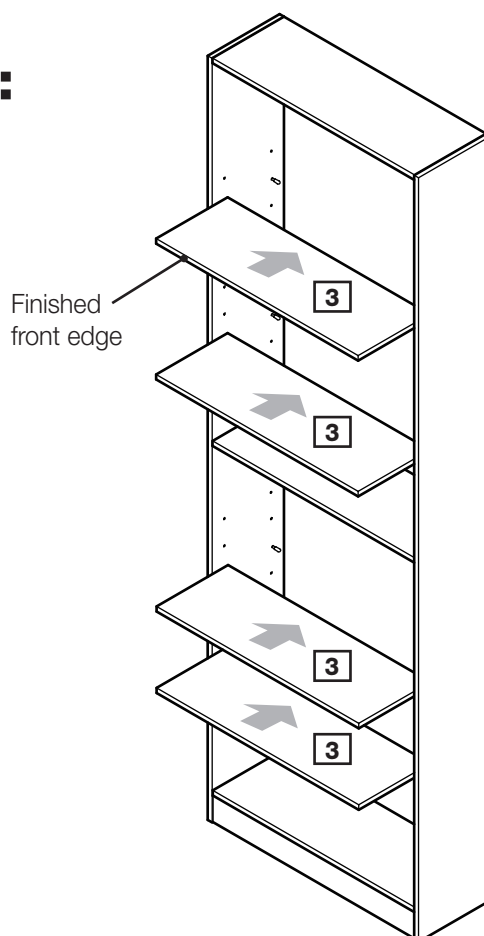
Use Screw covers **H** to cover the screw heads.

**a:**



**b:** Slide the Shelves **3** into the unit.

**b:**



# Assembly Instructions

## Step 5

### Fixing to wall

It is recommended that the bookcase is fixed to a wall.

Fix Wall strap **I** to top panel using Screw **B**.

With help, move bookcase into position.



**Warning:**

The bookcase is heavy.

**Lift with care.**

Mark fixing hole on wall and remove bookcase .

Drill a hole and insert Wall plug **J**.



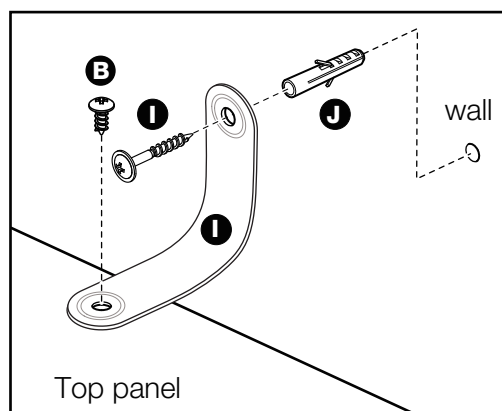
**Warning:**

Before drilling, check wall for hidden pipes and cables.

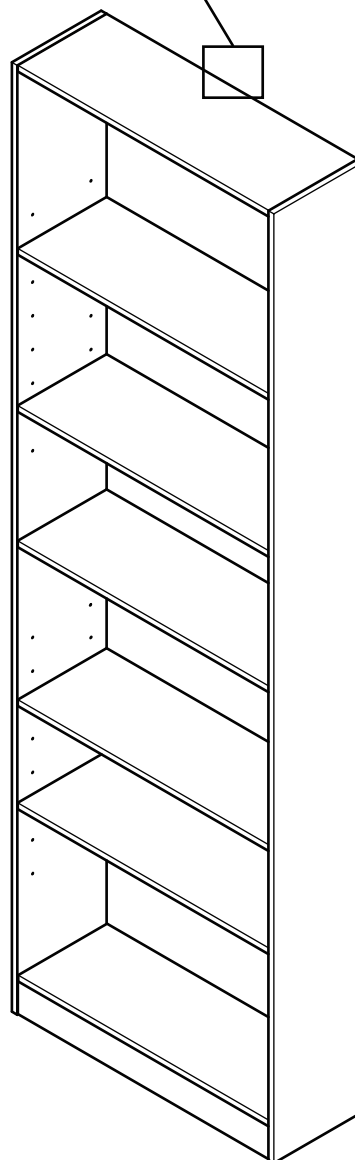
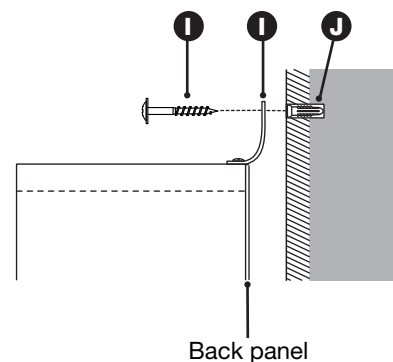
Reposition bookcase and fix wall strap using Screw **I**.

**I**.

**Assembly is complete.**



**Note:** Wall plugs supplied are for solid wall only. The correct type of fixing must be used for your wall, seek professional advice if in doubt



If you need help or have damaged or missing parts, call the **Customer Helpline: 08456 400800**

# A Guide to - Wall Mounting & Fixings

## Important note:

If plastic wall plugs are supplied with your product:



- these are only suitable for use in masonry walls.

If you are in any doubt about the correct wall plugs for your wall, seek professional advice.


Failure of the product due to using incorrect fixings is the responsibility of the installer.



**Important:** When drilling into walls always check that there are no hidden wires or pipes etc.

Make sure that the screws and wall plugs being used are suitable for supporting your unit. Consult a qualified tradesperson if you are unsure.

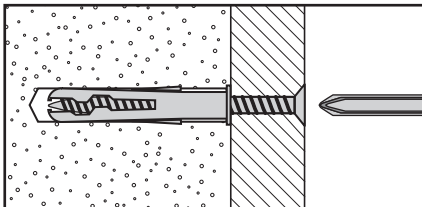
## Hints:

- 1: General rule:**  Always use a larger screw and wall plug if you are not sure.
- 2:** Ensure you use the recommended drill bit to match the wall plug and hole size.
- 3:** Ensure you drill the hole horizontally, do not force the drill or enlarge the hole.
- 4:** Take extra care when drilling high walls, ceilings and ceramic tiles. Ensure wall plugs are inserted beyond the thickness of the ceramic tiles to avoid the tiles splitting or cracking.
- 5:** Ensure wall plugs are well fitted and are a tight fit in the drilled hole.

## Types of walls

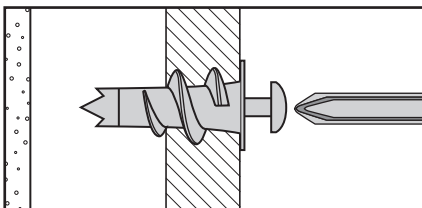
You can use one of the following types of wall plug if your walls are made of brick, breeze block, concrete, stone or wood.

### No.1 "General Purpose" wall plug



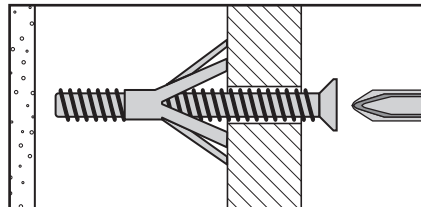
Generally aerated blocks should not be used to support heavy loads, use a specialist fitting in this case. For light loads, general purpose wall plugs can be used.

### No.2 "Plasterboard" wall plug



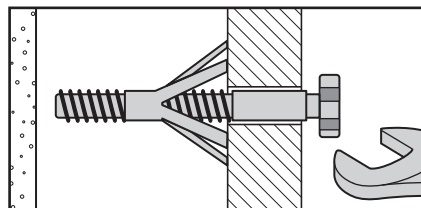
For use when attaching light loads on to plasterboard partitions.

### No.3 "Cavity Fixing" wall plug



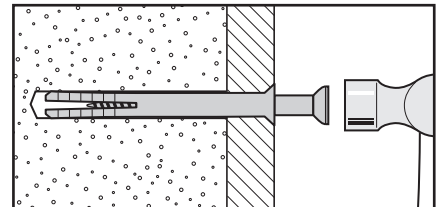
For use with plasterboard partitions or hollow wooden doors.

### No.4 "Cavity Fixing-Heavy Duty" wall plug



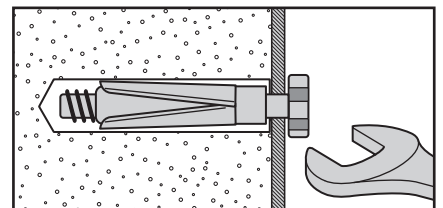
For use when fitting or supporting heavy loads such as shelving, wall cabinets and coat racks.

### No.5 "Hammer Fixing" wall plug



For use with walls stuck with plasterboard. The hammer fixing allows it to be fixed to the wall rather than the plasterboard. Always check the fixing is secure to the retaining wall.

### No.6 "Shield Anchor" wall plug Heavy loads



For use with heavier loads such as TV & HiFi speakers and satellite dishes etc.



## Care & Maintenance

**Safety:** Always check the fitting and location to ensure your safety in and around the home.

**Fitting:** From time to time check the fitting to ensure the wall plugs or screws do not become loose.

# Tall Wide Bookcase

Assembly Instructions - Please keep for future reference

609/1013

609/2074

609/2122

609/2524

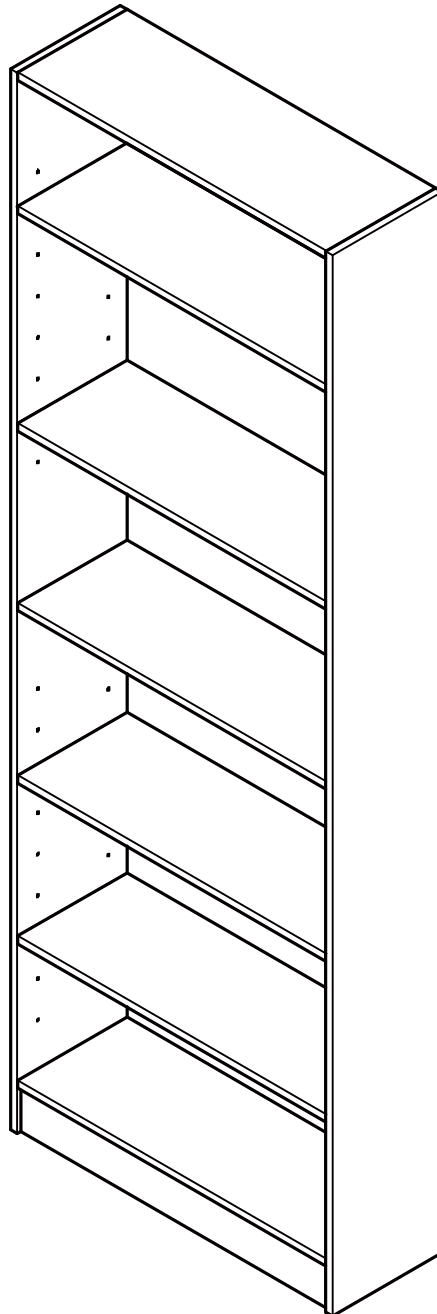
609/3561

610/9503

610/9510

610/9527

343/6688



## Dimensions

Width - 78cm

Depth - 20cm

Height - 180cm

**Important** - Please read these instructions fully before starting assembly

If you need help or have damaged or missing parts, call the **Customer Helpline:**  
**Argos = 0345 6400800**

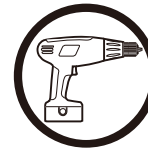


# Safety and Care Advice

**Important – Please read these instructions fully before starting assembly**

- Check you have all the components and tools listed on the following pages.
- Remove all fittings from the plastic bags and separate them into their groups.
- Keep children and animals away from the work area, small parts could choke if swallowed.
- Make sure you have enough space to layout the parts before starting.

- During assembly do not stand or put weight on the product, this could cause damage.
- Assemble the item as close to its final position (in the same room) as possible.
- Assemble on a soft level surface to avoid damaging the unit or your floor.
- Parts of the assembly will be easier with 2 people.



power drill is set on a low torque setting.

- To reduce the likelihood of damaging your product please ensure that your

## Care and maintenance

• Only clean using a damp cloth and mild detergent, do not use bleach or abrasive cleaners.

• From time to time check that there are no loose screws on this unit.

• This product should not be discarded with household waste. Take to your local authority waste disposal centre.

## Handy Hints

• Assemble all parts and bolts loosely during assembly, only once the product is complete should you fully tighten the bolts

• Regularly check and ensure that all bolts and fittings are tightened properly.



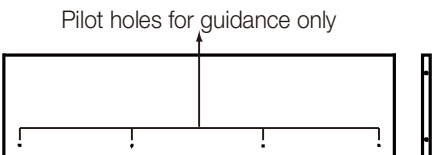
# Components - Panels

If you have damaged or missing components, call the  
Customer Helpline: Argos = 0345 6400800

Please check you have all the panels listed below



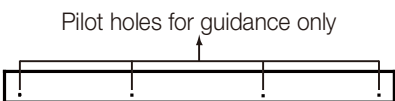
**1** Fixed panel x 2 (74.9 x 19.4cm)  
(Two sides foiled)



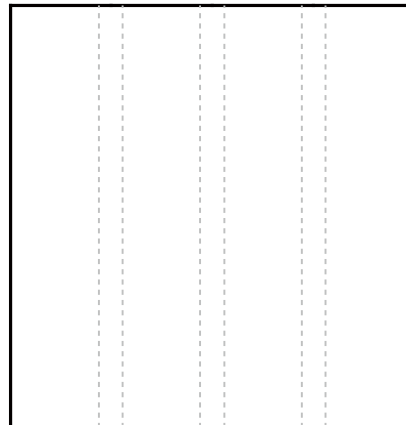
**2** Bottom panel (74.9 x 19.4cm)  
(One side foiled)



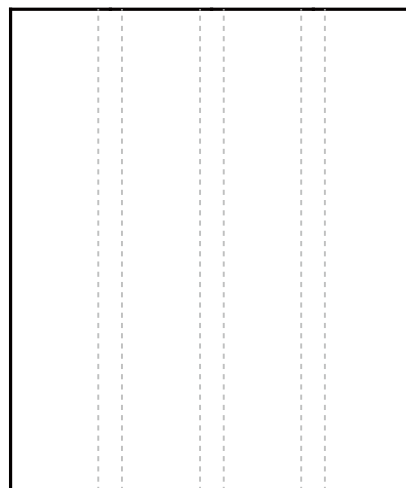
**3** Shelf x 4 (74.9 x 19.4cm)



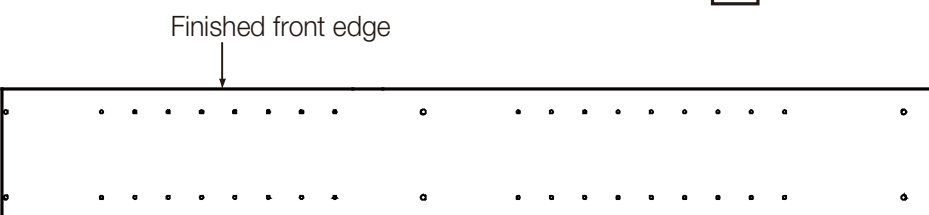
**4** Front panel (74.9 x 5.9cm)



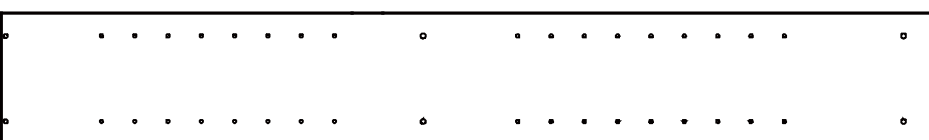
**7** Top back panel (76.8 x 80.8cm)



**8** Bottom back panel (76.8 x 92.4cm)



**5** Right side panel (180 x 19.6cm)








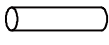
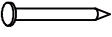



**6** Left side panel (180 x 19.6cm)

Finished front edge

# Components - Fittings

Please check you have all the fittings listed below

**Note:** The quantities below are the correct amount to complete the assembly. in some cases more fittings may be supplied than are required.

<b>A</b>  Plastic support x 4	<b>B</b>  14mm Screw x 9	<b>C</b>  Wall plug x 1
<b>D</b>  50mm Screw x 12	<b>E</b>  Support cover x 16	<b>F</b>  Shelf support x 16
<b>G</b>  Nail x 46	<b>H</b>  Screw cover x 12	<b>I</b>  (This screw is included in the bag of wall strap) Wall strap x 1  x 1

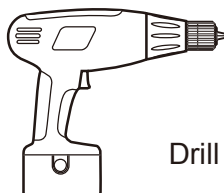
## Tools required



Phillips screwdriver  
(medium & large)



7mm Suitable drill bit  
(for use with wall plug)



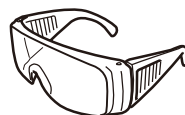
Drill



Small  
hammer



Ruler/tape  
measure



Eye protection  
(when using a  
hammer or glue)

## Ruler - Use this ruler to help correctly identify the screws



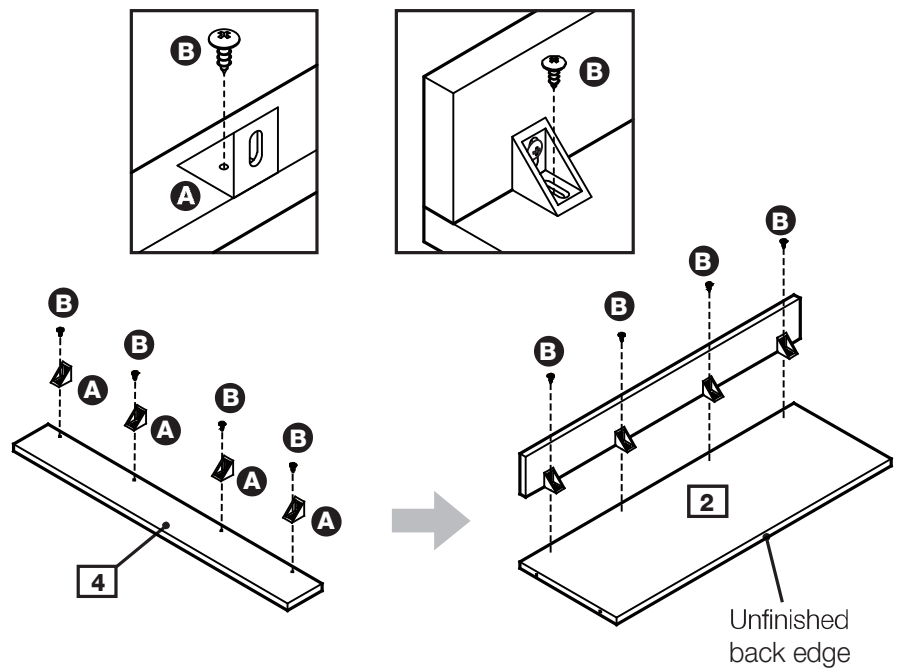
The screws length is measured from the head to the point (30mm screw shown).

# Assembly Instructions

## Step 1

### Attaching bottom panel

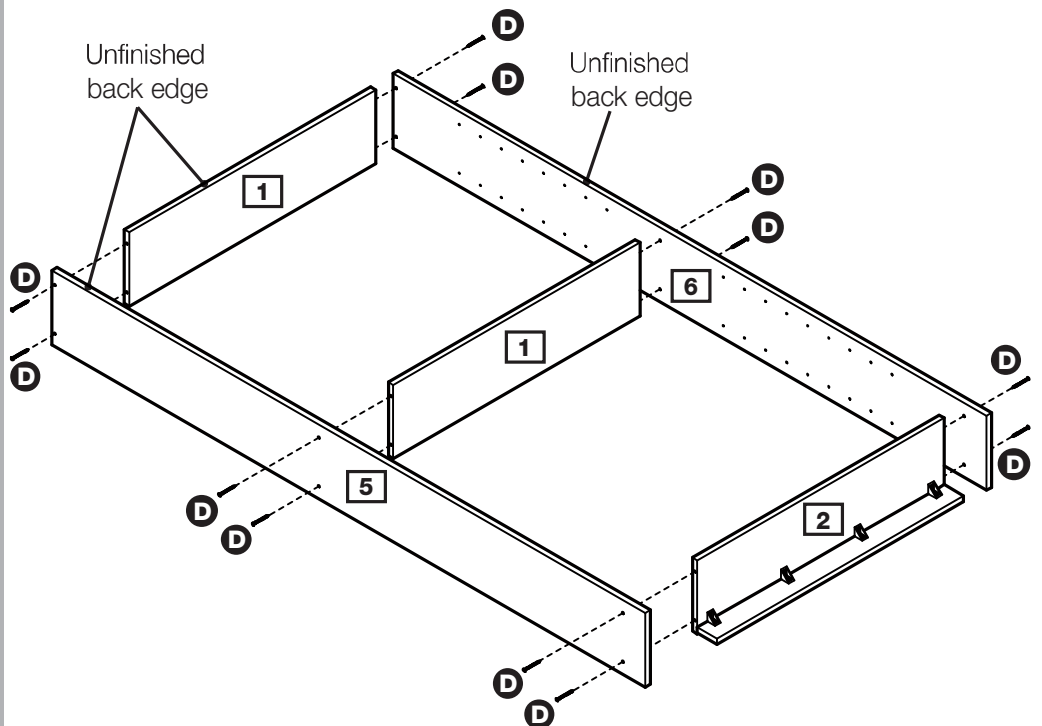
Use Plastic supports **A** and Screws **B** to fix the Front panel **4** onto the Bottom panel **2**.



## Step 2

### Attaching side panels

Use Screws **D** to fix the Left side panel **6** and Right side panel **5** onto the Bottom panel **2** and Fixed panels **1**.



# Assembly Instructions

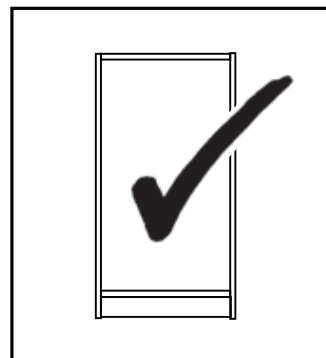
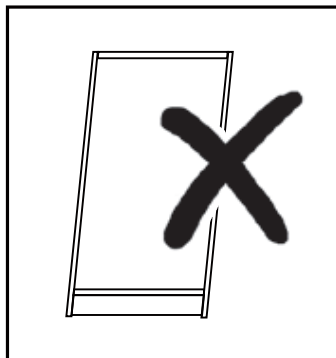
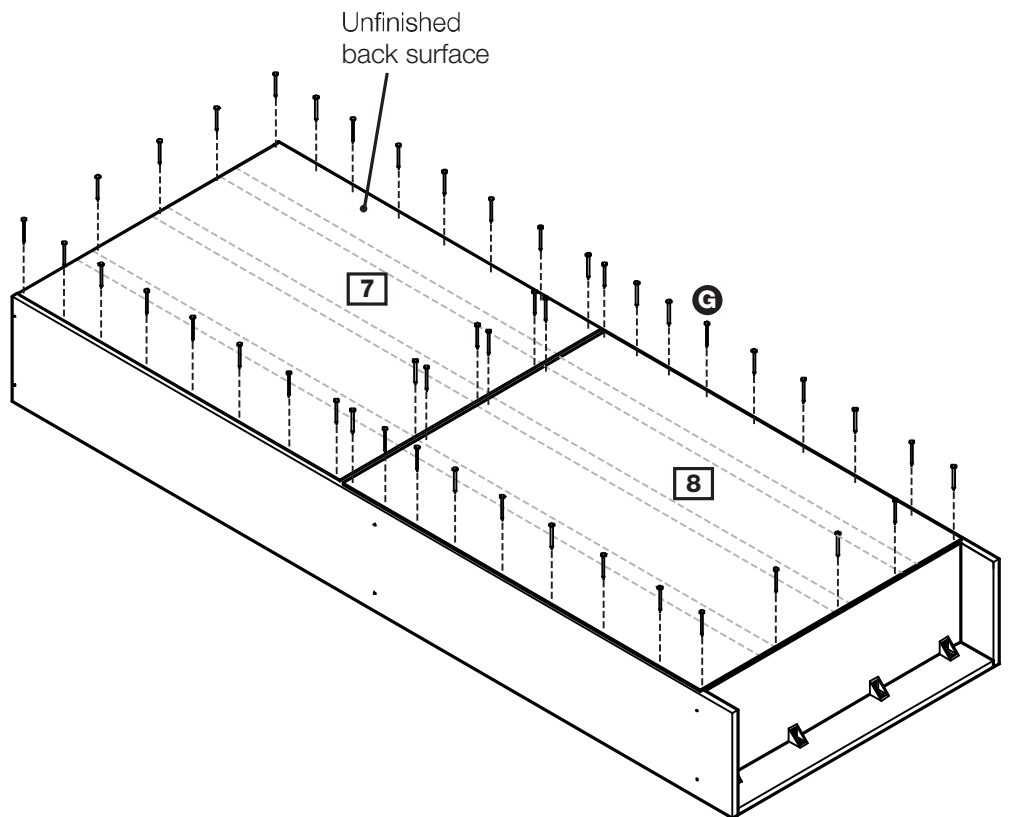
## Step 3

### Fixing back panels

Attach Top back panel **7** and Bottom back panel **8** onto the unit using Nails **G**.



**Important:**  
The unit **MUST**  
be 'square' when  
back is attached.



# Assembly Instructions

## Step 4

### Attaching shelves

With help, carefully stand bookcase upright.



**Warning:**

The bookcase is heavy.  
Lift with care.

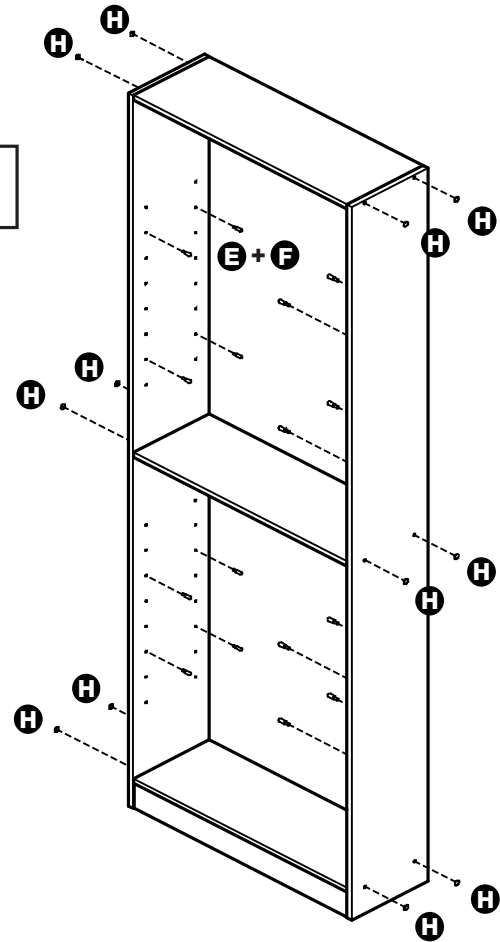
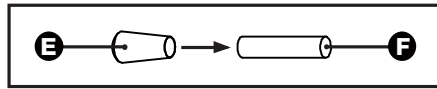
**a:** Slide Support covers **E** onto Shelf supports **F**.

Insert Shelf supports **F** (Support covers **E** are included) into the unit. Ensure they are well fitted before inserting the Shelves.

**Note:** Set the shelf supports to the desired height.

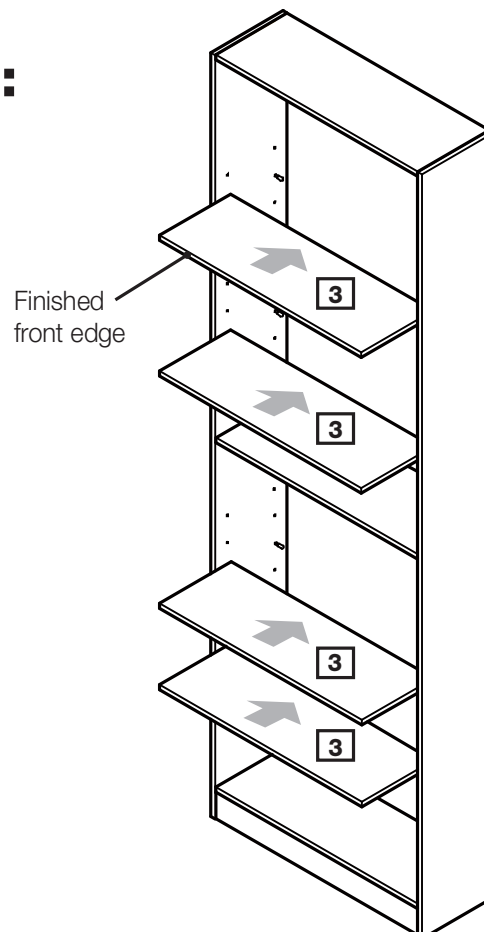
Use Screw covers **H** to cover the screw heads.

**a:**



**b:** Slide the Shelves **3** into the unit.

**b:**



# Assembly Instructions

## Step 5

### Fixing to wall

It is recommended that the bookcase is fixed to a wall.

Fix Wall strap **I** to top panel using Screw **B**.

With help, move bookcase into position.



**Warning:**

The bookcase is heavy.

**Lift with care.**

Mark fixing hole on wall and remove bookcase .

Drill a hole and insert Wall plug **C**.



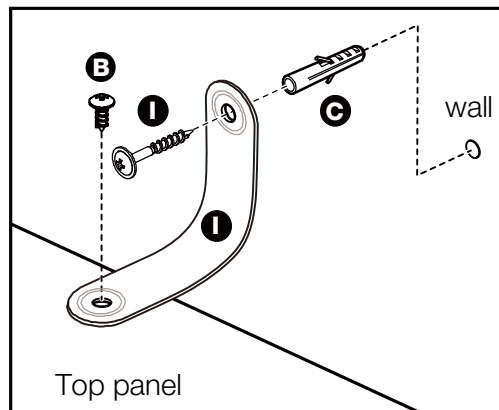
**Warning:**

Before drilling, check wall for hidden pipes and cables.

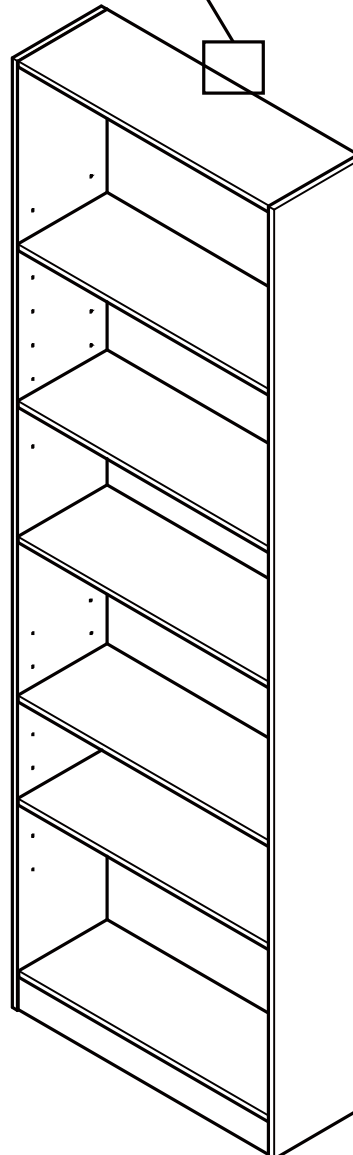
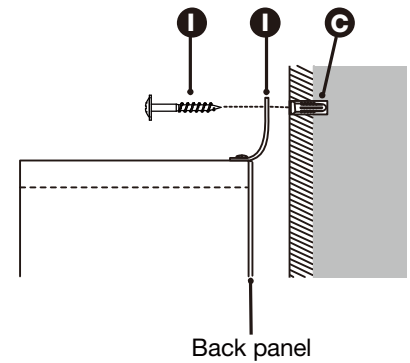
Reposition bookcase and fix wall strap using Screw **I**.



**Assembly is complete.**



**Note:** Wall plugs supplied are for solid wall only. The correct type of fixing must be used for your wall, seek professional advice if in doubt



If you need help or have damaged or missing parts, call the **Customer Helpline:**  
**Argos = 0345 6400800**

# A Guide to - Wall Mounting & Fixings

## Important note:

If plastic wall plugs are supplied with your product:



- these are only suitable for use in masonry walls.

If you are in any doubt about the correct wall plugs for your wall, seek professional advice.


Failure of the product due to using incorrect fixings is the responsibility of the installer.



**Important:** When drilling into walls always check that there are no hidden wires or pipes etc.

Make sure that the screws and wall plugs being used are suitable for supporting your unit. Consult a qualified tradesperson if you are unsure.

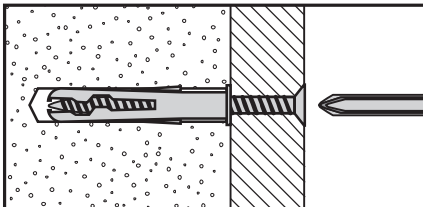
## Hints:

- 1: General rule:**  Always use a larger screw and wall plug if you are not sure.
- 2:** Ensure you use the recommended drill bit to match the wall plug and hole size.
- 3:** Ensure you drill the hole horizontally, do not force the drill or enlarge the hole.
- 4:** Take extra care when drilling high walls, ceilings and ceramic tiles. Ensure wall plugs are inserted beyond the thickness of the ceramic tiles to avoid the tiles splitting or cracking.
- 5:** Ensure wall plugs are well fitted and are a tight fit in the drilled hole.

## Types of walls

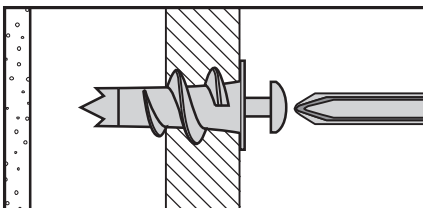
You can use one of the following types of wall plug if your walls are made of brick, breeze block, concrete, stone or wood.

### No.1 "General Purpose" wall plug



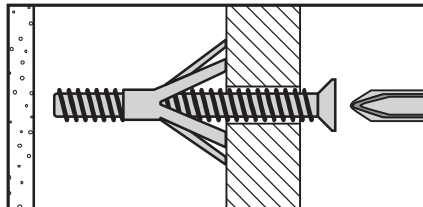
Generally aerated blocks should not be used to support heavy loads, use a specialist fitting in this case. For light loads, general purpose wall plugs can be used.

### No.2 "Plasterboard" wall plug



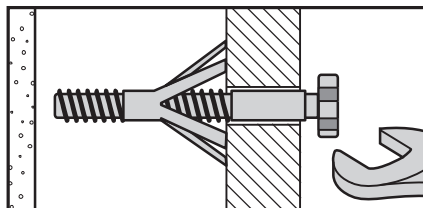
For use when attaching light loads on to plasterboard partitions.

### No.3 "Cavity Fixing" wall plug



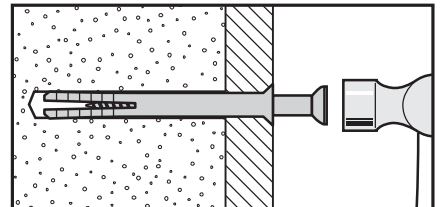
For use with plasterboard partitions or hollow wooden doors.

### No.4 "Cavity Fixing-Heavy Duty" wall plug



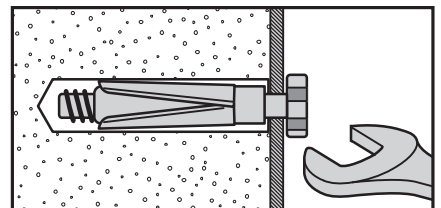
For use when fitting or supporting heavy loads such as shelving, wall cabinets and coat racks.

### No.5 "Hammer Fixing" wall plug



For use with walls stuck with plasterboard. The hammer fixing allows it to be fixed to the wall rather than the plasterboard. Always check the fixing is secure to the retaining wall.

### No.6 "Shield Anchor" wall plug Heavy loads



For use with heavier loads such as TV & HiFi speakers and satellite dishes etc.



## Care & Maintenance

**Safety:** Always check the fitting and location to ensure your safety in and around the home.

**Fitting:** From time to time check the fitting to ensure the wall plugs or screws do not become loose.

# Tall Wide Bookcase

Assembly Instructions - Please keep for future reference

609/1013

609/2074

609/2122

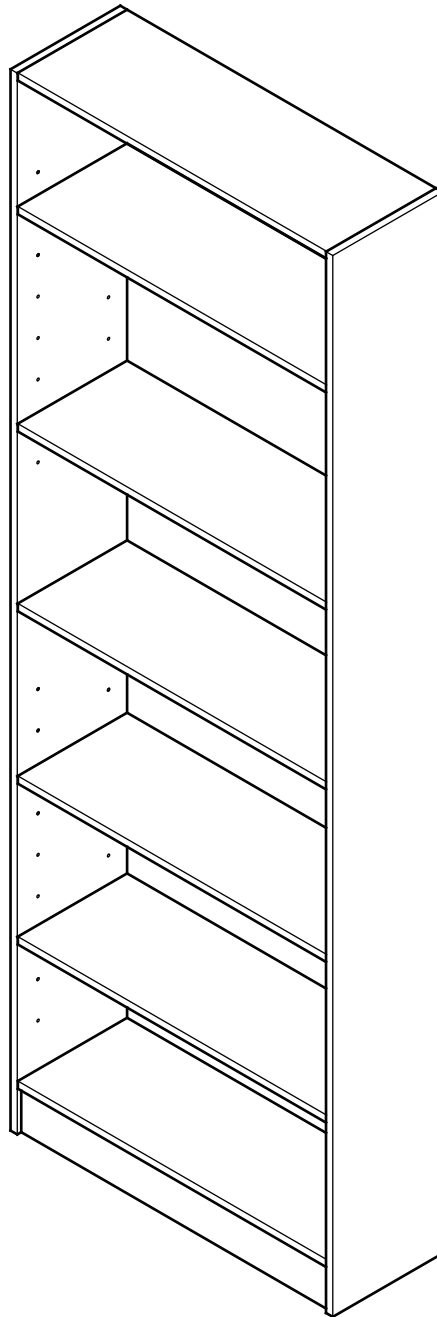
609/2524

609/3561

610/9503

610/9510

610/9527



## Dimensions

Width - 78cm

Depth - 20.1cm

Height - 180.1cm

**Important** - Please read these instructions fully before starting assembly

If you need help or have damaged or missing parts, call the Customer Helpline: 08456 400800





# Safety and Care Advice

**Important - Please read these instructions fully before starting assembly**

- Check you have all the components and tools listed on pages 2 and 3.
- Remove all fittings from the plastic bags and separate them into their groups.
- Keep children and animals away from the work area, small parts could choke if swallowed.
- Make sure you have enough space to layout the parts before starting.

- Do not stand on the product, this could cause damage.
- Assemble the item as close to its final position (in the same room) as possible.
- Assemble on a soft level surface to avoid damaging the unit or your floor.
- Parts of the assembly will be easier with 2 people.



- We do not recommend the use of power drill/drivers **for inserting screws**, as this could damage the unit. Only use hand screwdrivers.
- Dispose of all packaging carefully and responsibly.

## Care and maintenance

- Only clean using a damp cloth and mild detergent, do not use bleach or abrasive cleaners.
- From time to time check that there are no loose screws on this unit.
- This product should not be discarded with household waste. Take to your local authority waste disposal centre.

# Components - Panels

If you have damaged or missing components, call the **Customer Helpline: 08456 400800**

Please check you have all the panels listed below

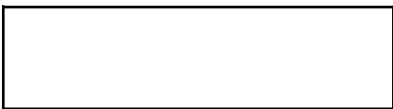


**1** Fixed panel x 2 (74.9 x 19.4cm)  
(Two sides foiled)

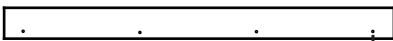


**2** Bottom panel (74.9 x 19.4cm)  
(One side foiled)

Pilot holes for guidance only

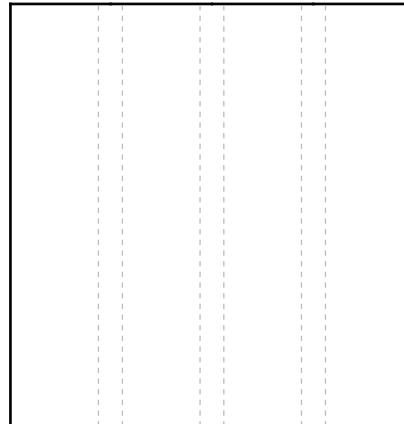


**3** Shelf x 4 (74.9 x 19.4cm)

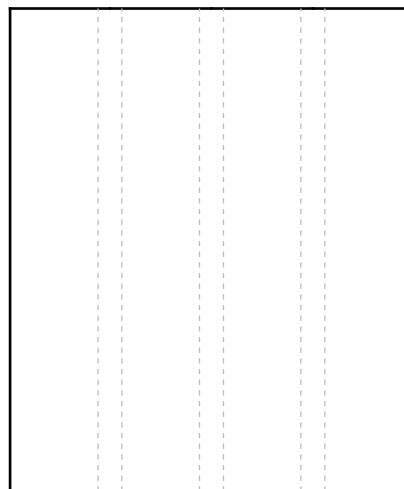


**4** Front panel (74.9 x 5.9cm)

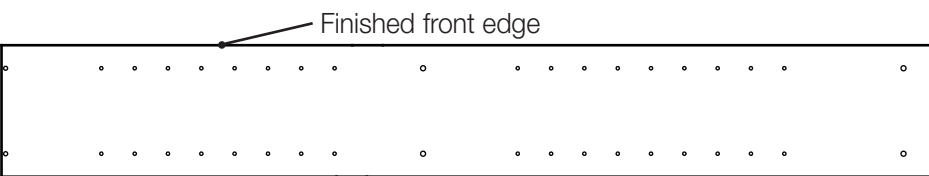
Pilot holes for guidance only



**7** Top back panel (80.8 x 76.8cm)



**8** Bottom back panel (92.4 x 76.8cm)



**5** Right side panel (180 x 19.6cm)



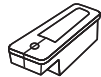


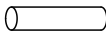
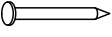
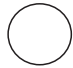

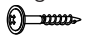



**6** Left side panel (180 x 19.6cm)

# Components - Fittings

Please check you have all the fittings listed below


**Note:** The quantities below are the correct amount to complete the assembly. in some cases more fittings may be supplied than are required.

<b>A</b>  Plastic support x 4	<b>B</b>  14mm Screw x 9	<b>C</b>  Nail guide x 1
<b>D</b>  50mm Screw x 12	<b>E</b>  Support cover x 16	<b>F</b>  Shelf support x 16
<b>G</b>  Nail x 46	<b>H</b>  Screw cover x 12	<b>I</b>  (This screw is included in the bag of wall strap) Wall strap x 1  x 1
<b>J</b>  Wall plug x 1		

## Tools required

 Phillips screwdriver (medium & large)

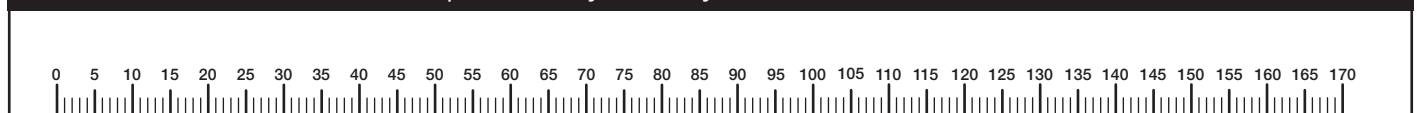
 Bradawl (or sharp point)

 Small hammer

 Ruler/tape measure

 Eye protection (when using a hammer or glue)

Ruler - Use this ruler to help correctly identify the screws

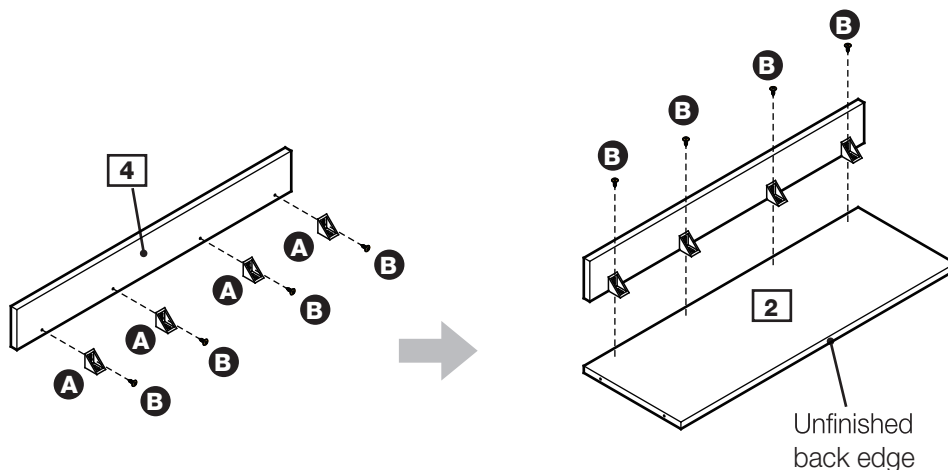


# Assembly Instructions

## Step 1

### Attaching bottom panel

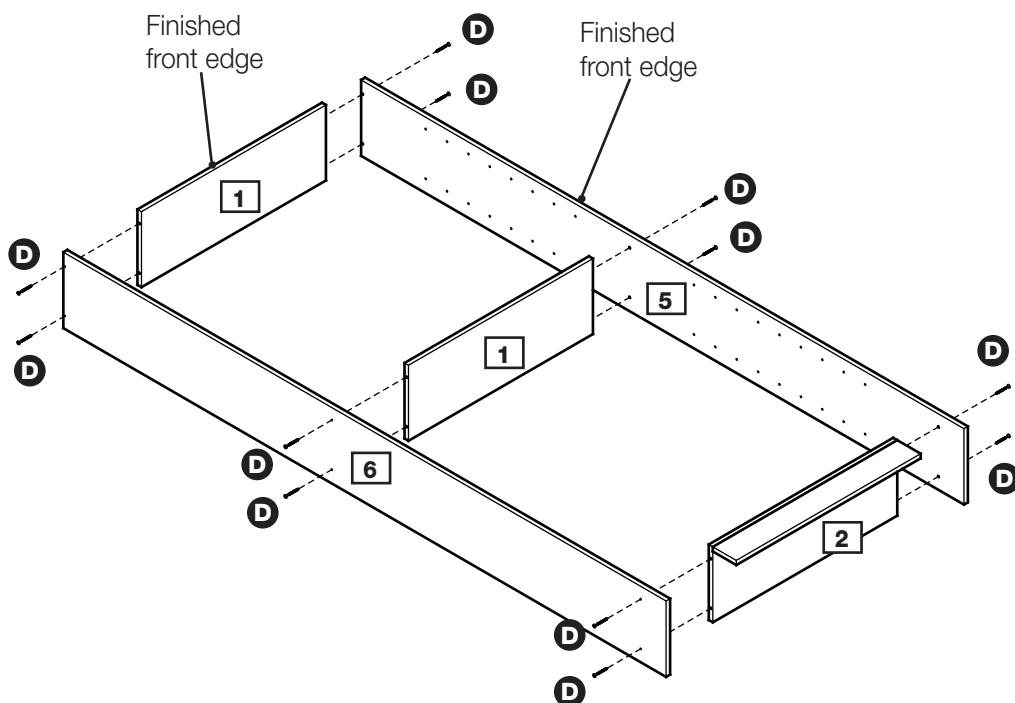
Use Plastic supports **A** and Screws **B** to fix the Front panel **4** onto the Bottom panel **2**.



## Step 2

### Attaching side panels

Use Screws **D** to fix the Left side panel **6** and Right side panel **5** onto the Bottom panel **2** and Fixed panels **1**.



# Assembly Instructions

## Step 3

### Fixing back panels

**a:** Use Nails **G** to fix the Top back panel **7** and Bottom back panel **8** onto the unit.

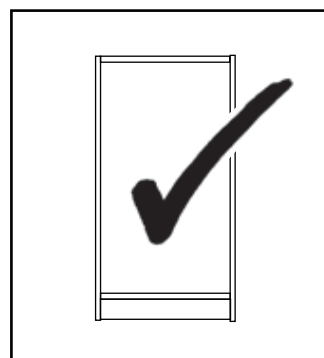
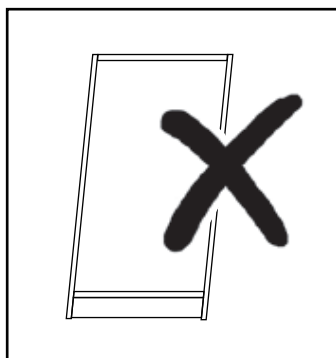
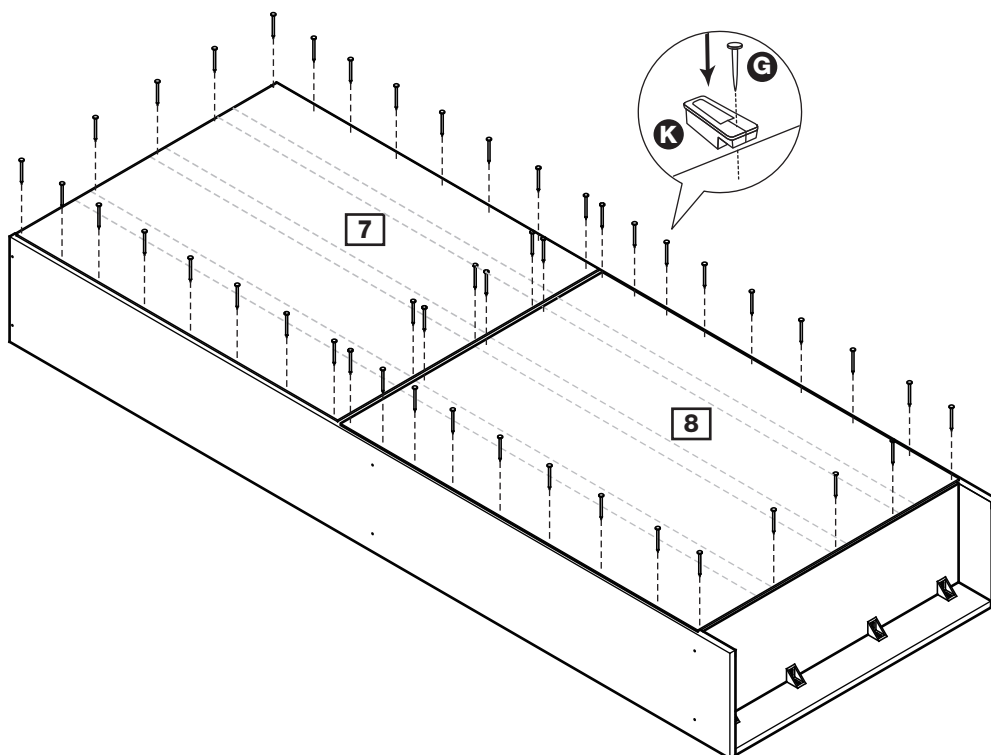
**Note:** Use Nail guide **K** to keep a constant distance from the edge.



**Important:**

The cabinet **MUST** be 'square' when the back is attached.

**a:**



# Assembly Instructions

## Step 4

### Attaching shelves

With help, carefully stand bookcase upright.



**Warning:**

The bookcase is heavy.  
Lift with care.

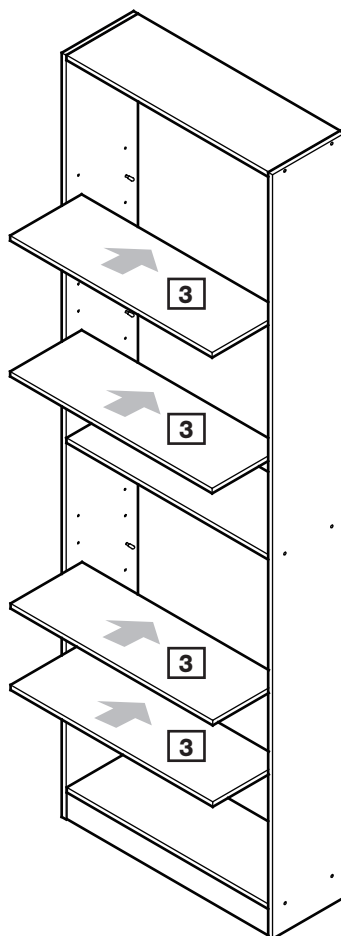
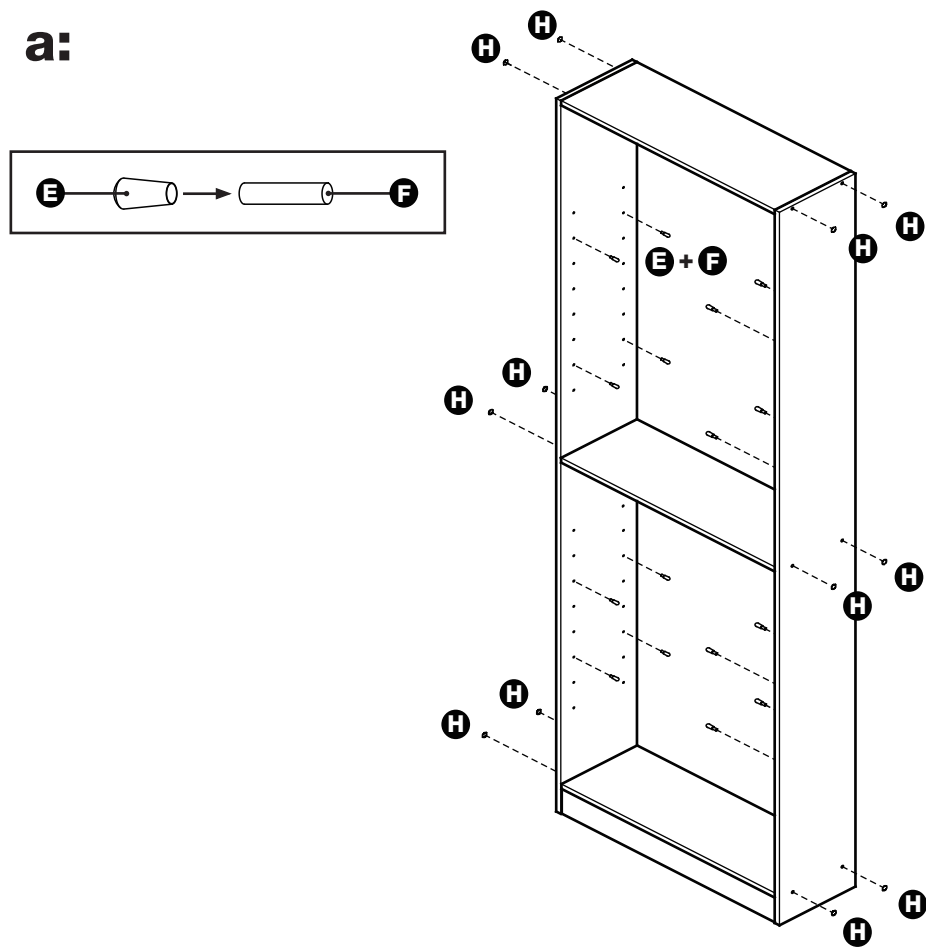
**a:** Slide support covers **E** onto Shelf supports **F**.

Insert Shelf supports **F** (Support covers **E** are included) into the unit. Ensure they are well fitted before inserting the Shelves.

**Note:** Set the shelf supports to the desired height.

Use Screw covers **H** to cover the Screw heads.

**b:** Slide the Shelves **3** into the unit.



# Assembly Instructions

## Step 5

### Fixing to wall

It is recommended that the bookcase is fixed to a wall.

Use Screw **B** to fix the Wall strap **I** onto the top panel.

With help, move bookcase into position.



**Warning:**

The bookcase is heavy.

**Lift with care.**

Mark fixing hole on wall and remove bookcase .

Drill a hole and insert Wall plug **J**.

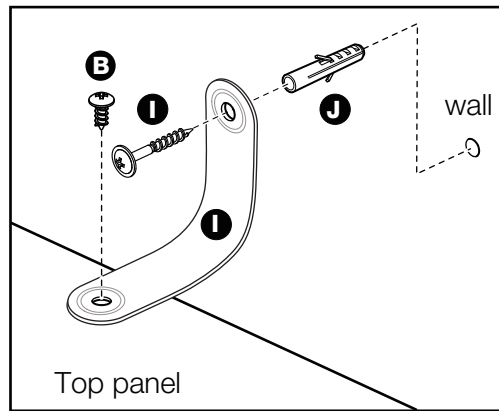


**Warning:**

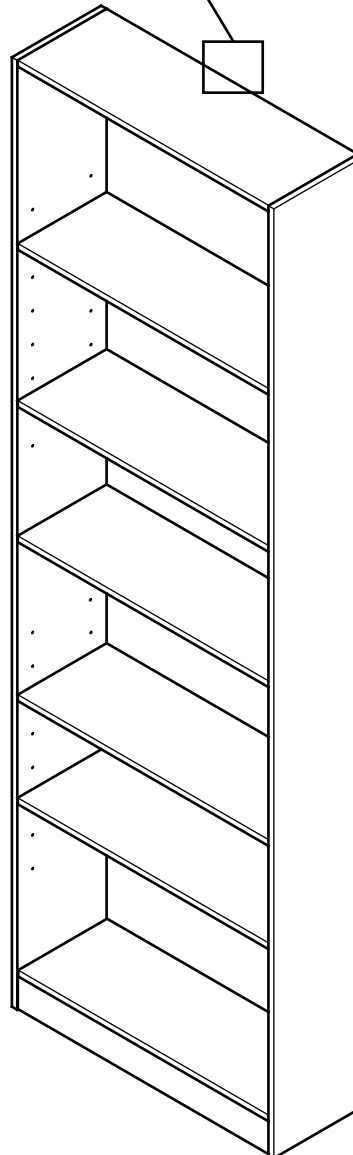
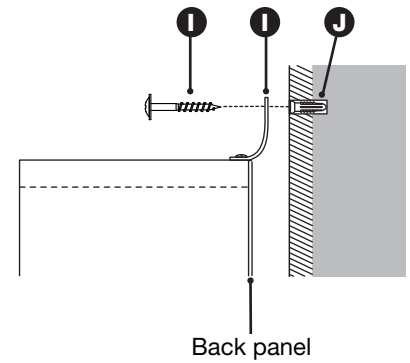
Before drilling, check wall for hidden pipes and cables.

Reposition bookcase and fix wall strap using Screw **I**.

**Assembly is complete.**



**Note:** Wall plugs supplied are for solid wall only.  
The correct type of fixing must be used for your wall, seek professional advice if in doubt



If you need help or have damaged or missing parts, call the **Customer Helpline: 08456 400800**

# A Guide to - Wall Mounting & Fixings

## Important note:

If plastic wall plugs are supplied with your product:



- these are only suitable for use in masonry walls.

If you are in any doubt about the correct wall plugs for your wall, seek professional advice.


Failure of the product due to using incorrect fixings is the responsibility of the installer.



**Important:** When drilling into walls always check that there are no hidden wires or pipes etc.

Make sure that the screws and wall plugs being used are suitable for supporting your unit. Consult a qualified tradesperson if you are unsure.

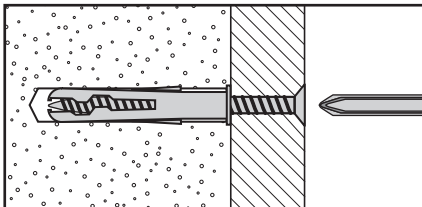
## Hints:

- 1: General rule:**  Always use a larger screw and wall plug if you are not sure.
- 2:** Ensure you use the recommended drill bit to match the wall plug and hole size.
- 3:** Ensure you drill the hole horizontally, do not force the drill or enlarge the hole.
- 4:** Take extra care when drilling high walls, ceilings and ceramic tiles. Ensure wall plugs are inserted beyond the thickness of the ceramic tiles to avoid the tiles splitting or cracking.
- 5:** Ensure wall plugs are well fitted and are a tight fit in the drilled hole.

## Types of walls

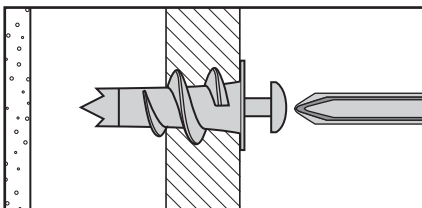
You can use one of the following types of wall plug if your walls are made of brick, breeze block, concrete, stone or wood.

### No.1 "General Purpose" wall plug



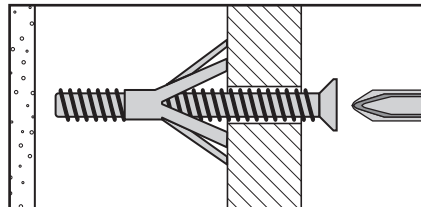
Generally aerated blocks should not be used to support heavy loads, use a specialist fitting in this case. For light loads, general purpose wall plugs can be used.

### No.2 "Plasterboard" wall plug



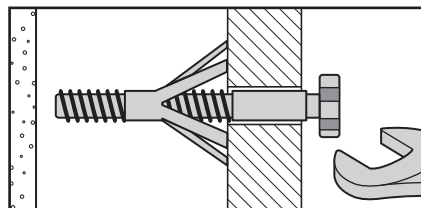
For use when attaching light loads on to plasterboard partitions.

### No.3 "Cavity Fixing" wall plug



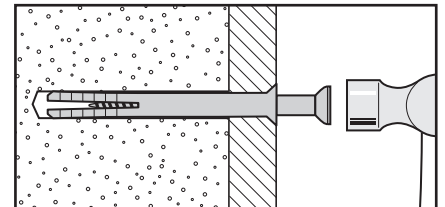
For use with plasterboard partitions or hollow wooden doors.

### No.4 "Cavity Fixing-Heavy Duty" wall plug



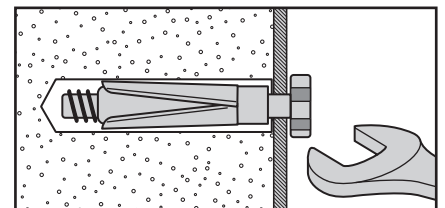
For use when fitting or supporting heavy loads such as shelving, wall cabinets and coat racks.

### No.5 "Hammer Fixing" wall plug



For use with walls stuck with plasterboard. The hammer fixing allows it to be fixed to the wall rather than the plasterboard. Always check the fixing is secure to the retaining wall.

### No.6 "Shield Anchor" wall plug Heavy loads



For use with heavier loads such as TV & HiFi speakers and satellite dishes etc.



## Care & Maintenance

**Safety:** Always check the fitting and location to ensure your safety in and around the home.

**Fitting:** From time to time check the fitting to ensure the wall plugs or screws do not become loose.



# Tall Wide Bookcase

Assembly Instructions - Please keep for future reference

609/2524

609/1013

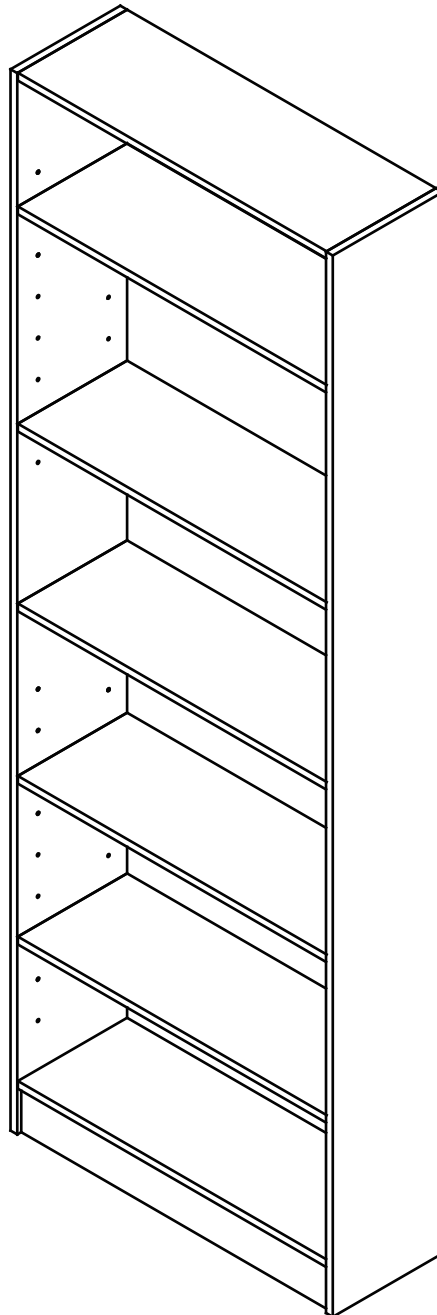
609/2074

609/2122

610/9527

610/9510

610/9503



## Dimensions

Width - 78cm

Depth - 20.1cm

Height - 180.1cm

**Important** - Please read these instructions fully before starting assembly

If you need help or have damaged or missing parts, call the **Customer Helpline: 08456 400800**

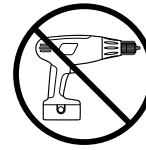


# Safety and Care Advice

**Important** – Please read these instructions fully before starting assembly

- Check you have all the components and tools listed on pages 2 and 3.
- Remove all fittings from the plastic bags and separate them into their groups.
- Keep children and animals away from the work area, small parts could choke if swallowed.
- Make sure you have enough space to layout the parts before starting.

- Do not stand on the product, this could cause damage.
- Assemble the item as close to its final position (in the same room) as possible.
- Assemble on a soft level surface to avoid damaging the unit or your floor.
- Parts of the assembly will be easier with 2 people.



- We do not recommend the use of power drill/drivers **for inserting screws**, as this could damage the unit. Only use hand screwdrivers.
- Dispose of all packaging carefully and responsibly.

## Care and maintenance

- Only clean using a damp cloth and mild detergent, do not use bleach or abrasive cleaners.
- From time to time check that there are no loose screws on this unit.
- This product should not be discarded with household waste. Take to your local authority waste disposal centre.

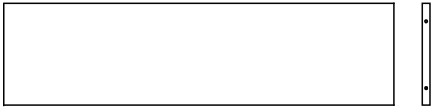
**Note:** if required the next page can be cut out and used as reference throughout the assembly. Keep this page with these instructions for future reference.

# Components - Panels

Please check you have all the panels listed below



**1** Fixed Panel x 2 (749 x 194mm)  
(two sides foiled)



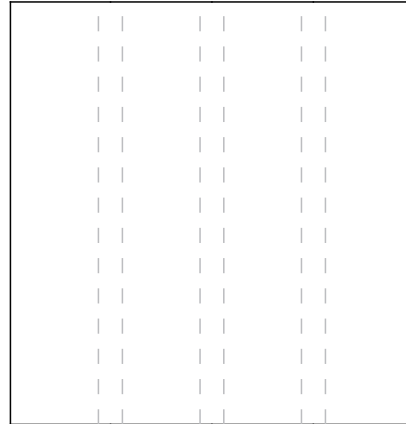
**2** Bottom Panel (749 x 194mm)  
(one side foiled)



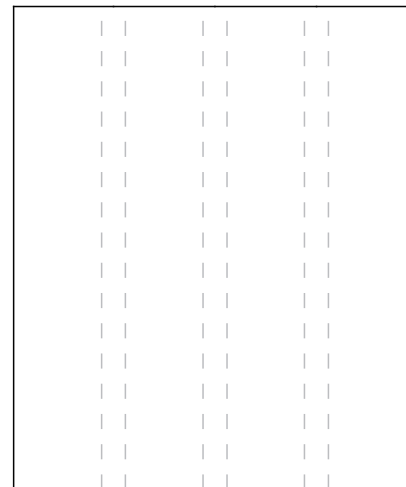
**3** Shelf x 4 (749 x 194mm)



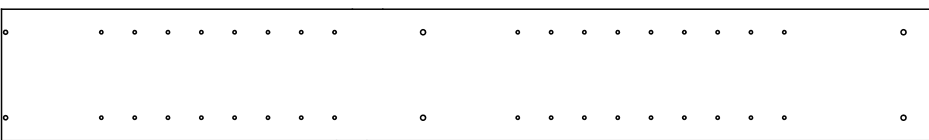
**4** Front Panel (749 x 59mm)



**7** Top Back Panel (808 x 768mm)



**8** Bottom Back Panel (924 x 768mm)



**5** Right Side Panel (1800 x 196mm)



**6** Left Side Panel (1800 x 196mm)



# Components - Fittings

If you have damaged or missing components, call the **Customer Helpline: 08456 400800**


Please check you have all the fittings listed below


**Note:** The quantities below are the correct amount to complete the assembly. in some cases more fittings may be supplied than are required.

<b>A</b>  Plastic Support x 4	<b>B</b>  14mm Screw x 9	<b>C</b>  30mm Screw x 1
<b>D</b>  50mm Screw x 12	<b>E</b>  Support Cover x 16	<b>F</b>  Shelf Support x 16
<b>G</b>  Nail x 46	<b>H</b>  Covering Sticker x 12	<b>I</b>  Wall Strap x 1
<b>J</b>  Wall Plug x 1	<b>K</b>  Nail Guide x 1	

## Tools required

 Phillips screwdriver (medium & large)

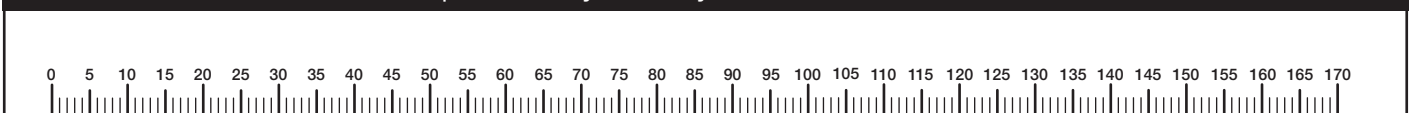
 Bradawl (or sharp point)

 Small hammer

 Ruler/tape measure

 Eye protection (when using a hammer or glue)

Ruler - Use this ruler to help correctly identify the screws



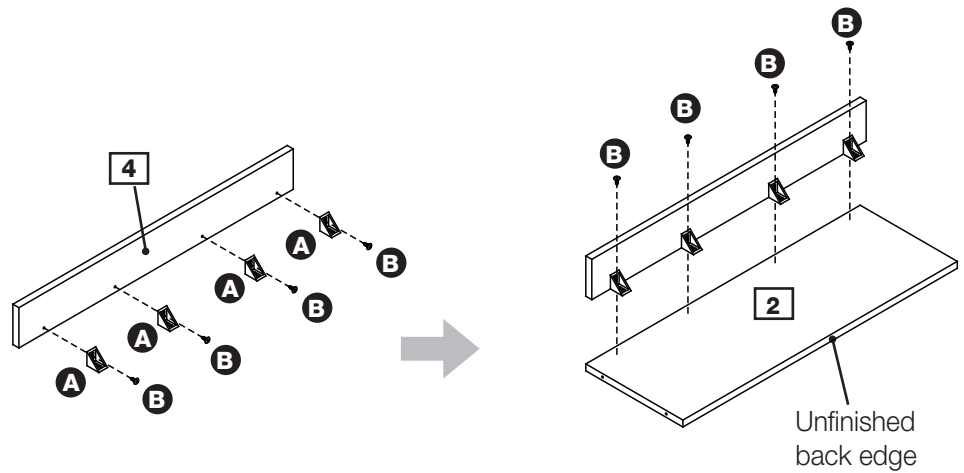
# Assembly Instructions

## Step 1

### Attaching bottom panel

**a:** Use Plastic Supports **A** and Screws **B** to fix the Front Panel **4** onto the Bottom Panel **2**.

**a:**

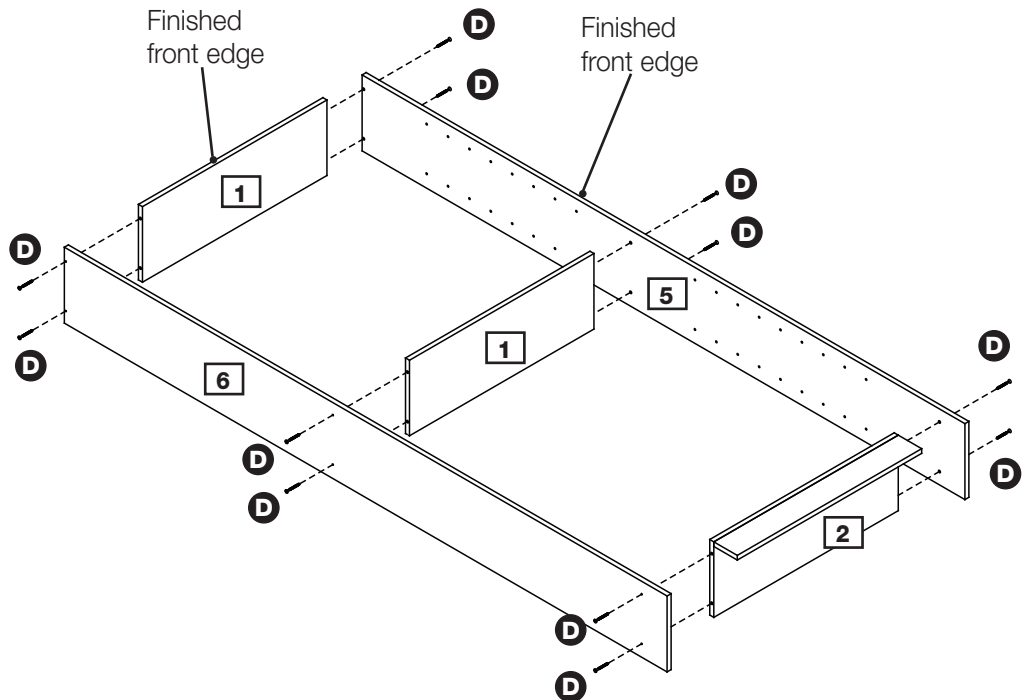


## Step 2

### Attaching side panel

**a:** Use Screws **D** to fix the Left Side Panel **6** and Right Side Panel **5** onto the Bottom Panel **2** and Fixed Panels **1**.

**a:**



# Assembly Instructions

## Step 3

### Fixing back panel

**a:** Use Nails **G** to fix the Top Back Panel **7** and Bottom Back Panel **8** onto the unit.

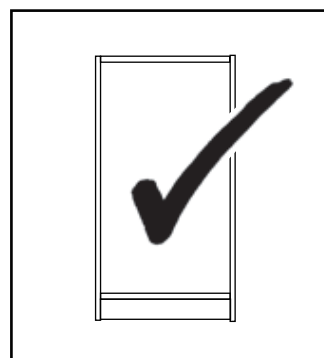
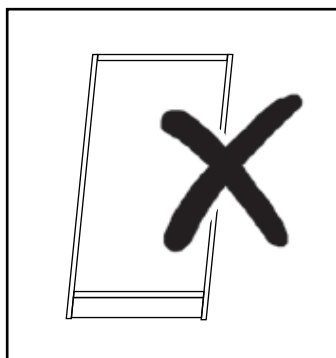
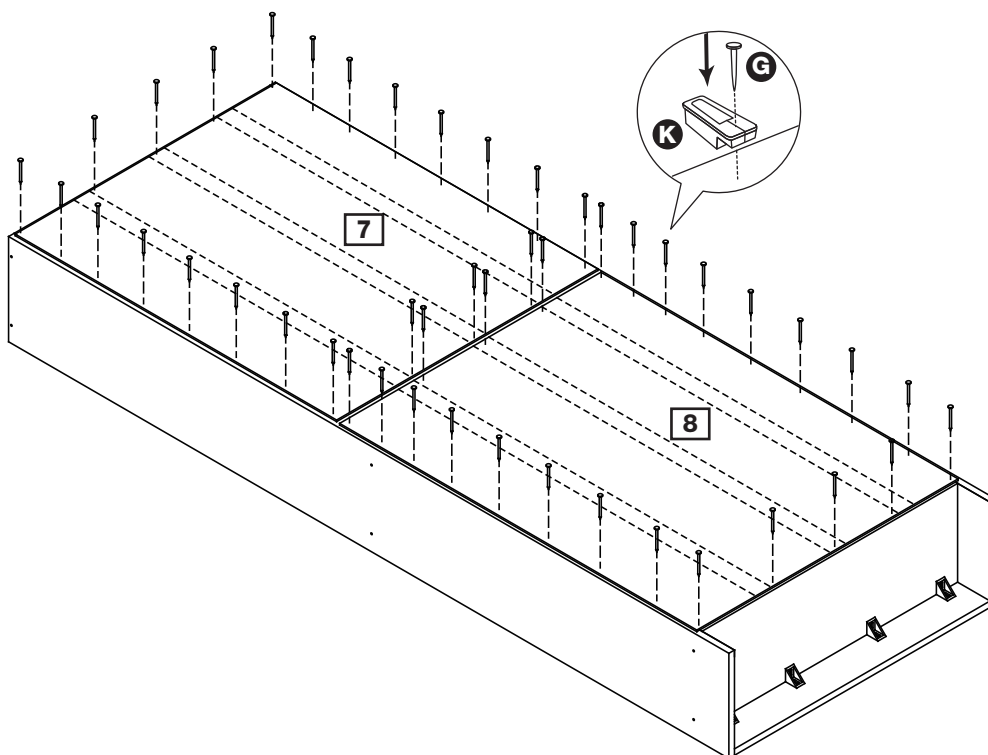
**Note:** Use Nail Guide **K** to keep a constant distance from the edge.



**Important:**

The cabinet **MUST** be 'square' when the back is attached.

**a:**



# Assembly Instructions

## Step 4

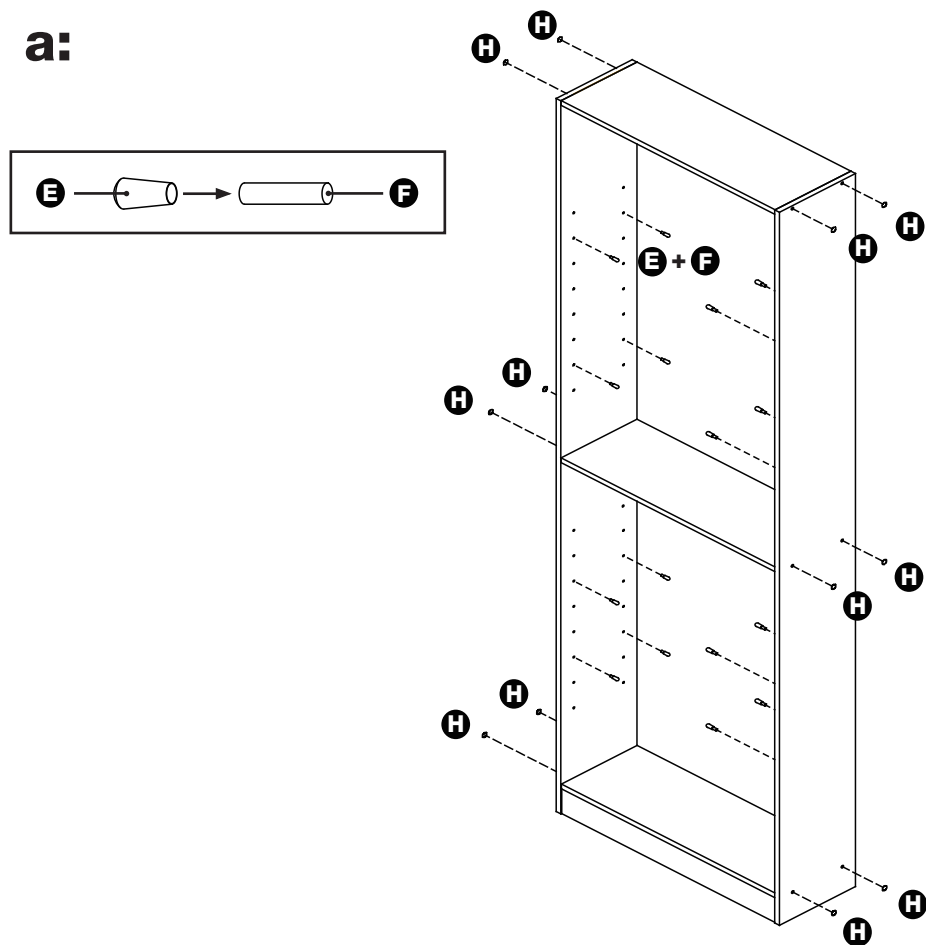
### Attaching shelf panel

**a:** Slide Support Covers **E** onto Shelf Supports **F**.

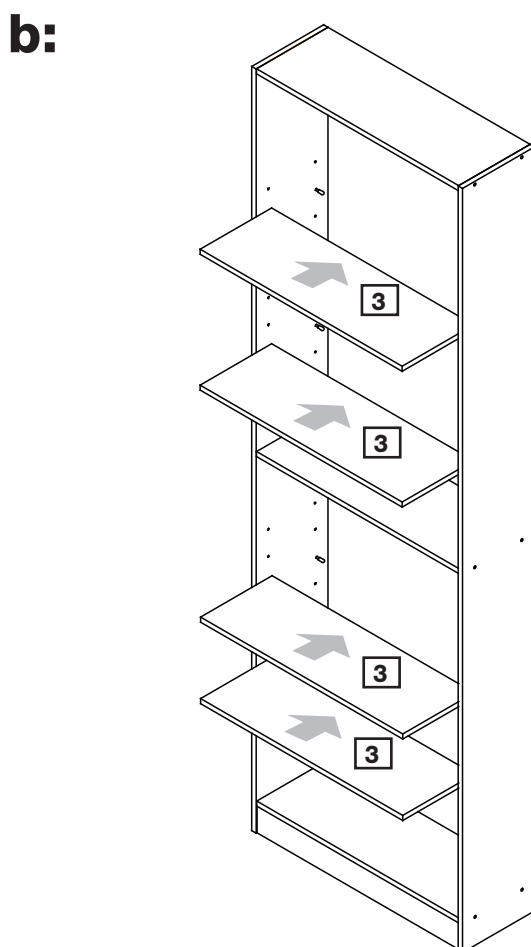
Insert Shelf Supports **F** (Support Covers **E** are included) into the unit. Ensure they are well fitted before inserting the Shelves.

**Note:** Set the shelf supports to the desired height.

Use Covering Sticker **H** to cover the Screw Heads.



**b:** Slide the Shelves **3** into the unit.



# Assembly Instructions

## Step 5

### Fixing to wall

It is recommended that the bookcase is fixed to a wall.

Use Screw **B** to fix the Wall Strap **I** onto the back of the top panel.

With help, move bookcase into position.



**Warning:**

The bookcase is heavy.

**Lift with care.**

Mark fixing hole on wall and remove bookcase .

Drill a hole and insert Wall Plug **J**.

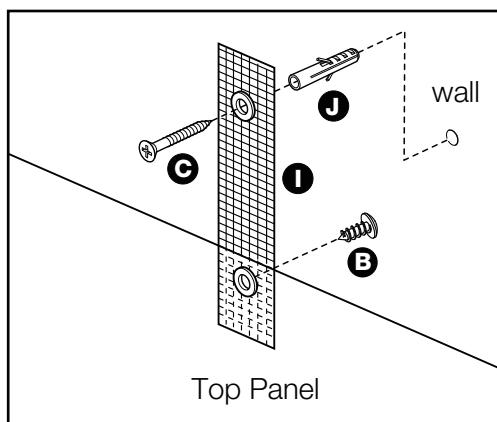


**Warning:**

Before drilling, check wall for hidden pipes and cables.

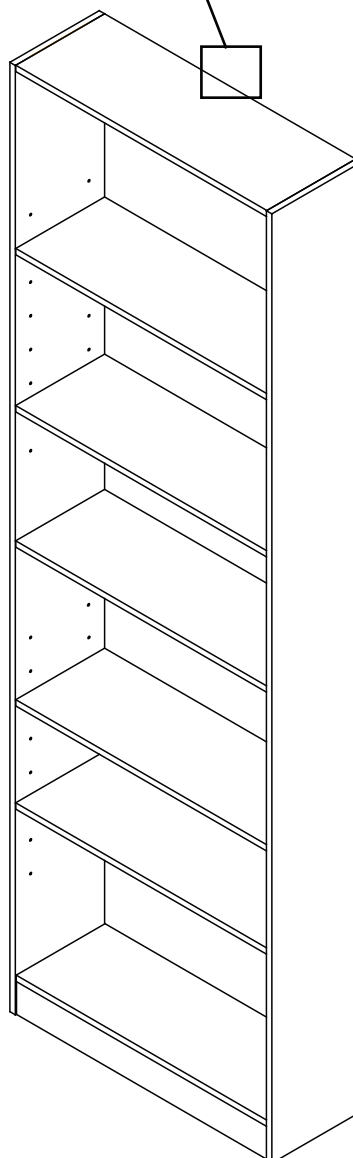
Reposition bookcase and fix wall strap using Screw **C**.

**The assembly is now complete.**



**Note:**

The correct type of fixing must be used for your wall, seek professional advice if in doubt.



If you need help or have damaged or missing parts, call the Customer Helpline: 08456 400800



# A Guide to - Wall Mounting & Fixings

## Important note:

If plastic wall plugs are supplied with your product:



- these are only suitable for use in masonry walls.

If you are in any doubt about the correct wall plugs for your wall, seek professional advice.


Failure of the product due to using incorrect fixings is the responsibility of the installer.



**Important:** When drilling into walls always check that there are no hidden wires or pipes etc.

Make sure that the screws and wall plugs being used are suitable for supporting your unit. Consult a qualified tradesperson if you are unsure.

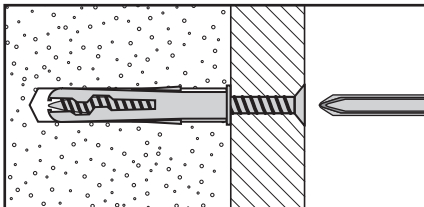
## Hints:

- 1: General rule:**  Always use a larger screw and wall plug if you are not sure.
- 2:** Ensure you use the recommended drill bit to match the wall plug and hole size.
- 3:** Ensure you drill the hole horizontally, do not force the drill or enlarge the hole.
- 4:** Take extra care when drilling high walls, ceilings and ceramic tiles. Ensure wall plugs are inserted beyond the thickness of the ceramic tiles to avoid the tiles splitting or cracking.
- 5:** Ensure wall plugs are well fitted and are a tight fit in the drilled hole.

## Types of walls

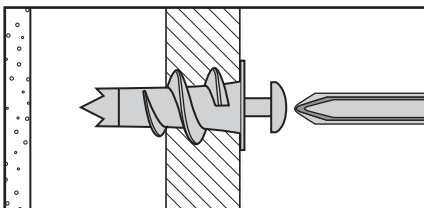
You can use one of the following types of wall plug if your walls are made of brick, breeze block, concrete, stone or wood.

### No.1 "General Purpose" wall plug



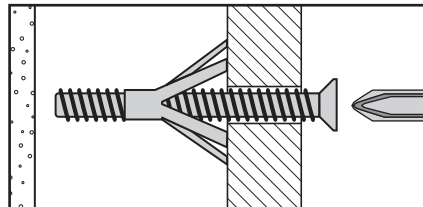
Generally aerated blocks should not be used to support heavy loads, use a specialist fitting in this case. For light loads, general purpose wall plugs can be used.

### No.2 "Plasterboard" wall plug



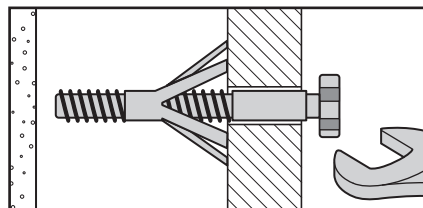
For use when attaching light loads on to plasterboard partitions.

### No.3 "Cavity Fixing" wall plug



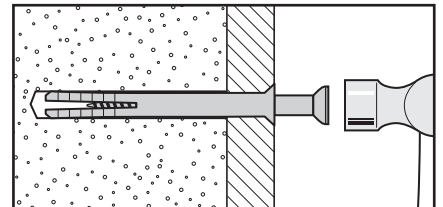
For use with plasterboard partitions or hollow wooden doors.

### No.4 "Cavity Fixing-Heavy Duty" wall plug



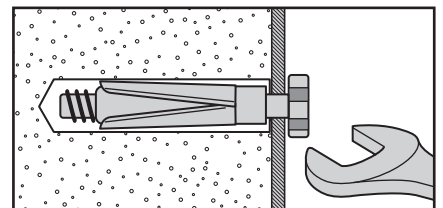
For use when fitting or supporting heavy loads such as shelving, wall cabinets and coat racks.

### No.5 "Hammer Fixing" wall plug



For use with walls stuck with plasterboard. The hammer fixing allows it to be fixed to the wall rather than the plasterboard. Always check the fixing is secure to the retaining wall.

### No.6 "Shield Anchor" wall plug Heavy loads



For use with heavier loads such as TV & HiFi speakers and satellite dishes etc.



## Care & Maintenance

**Safety:** Always check the fitting and location to ensure your safety in and around the home.

**Fitting:** From time to time check the fitting to ensure the wall plugs or screws do not become loose.

# Tall Wide Bookcase

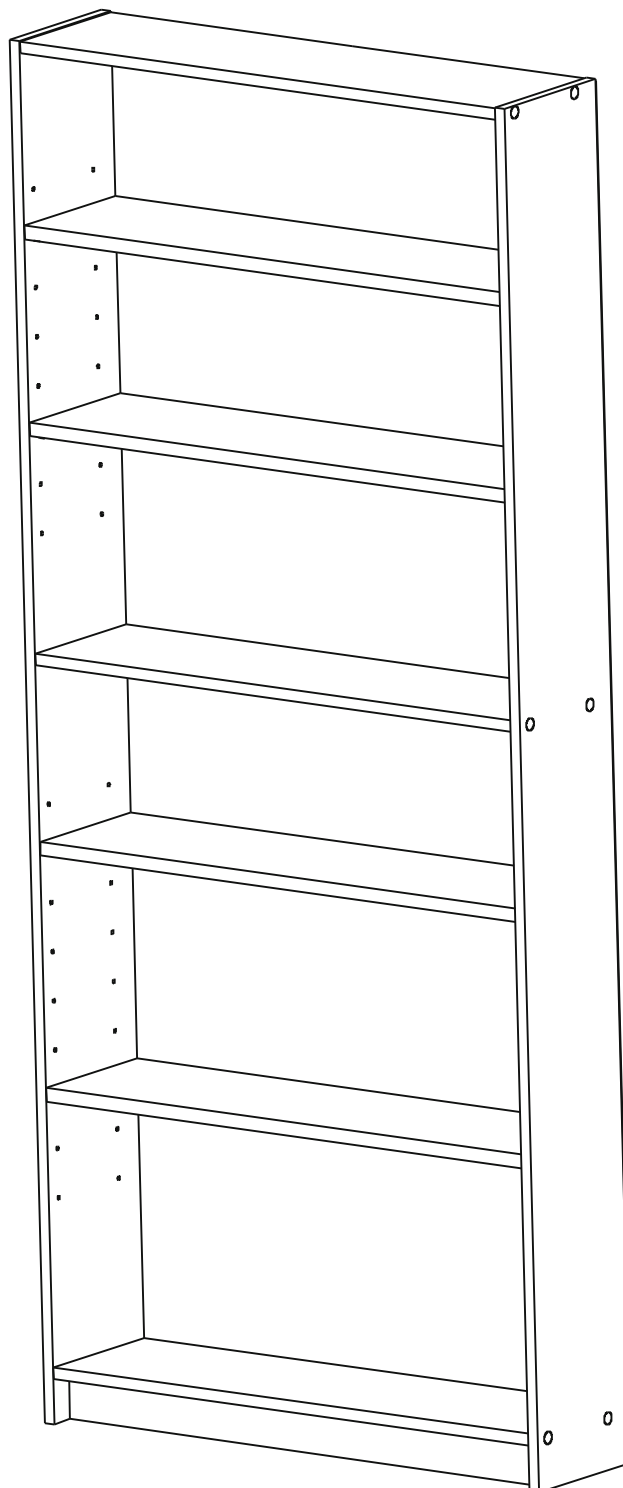
Assembly Instructions - Please keep for future reference

610/9527

609/1013

609/2074

609/2524



## Dimensions

Width - 78cm

Depth - 20cm

Height - 180cm

**Important - Please read these instructions fully before starting assembly**

If you need help or have damaged or missing parts, call the **Customer Helpline: 08456 400 800**

Date : 01/11/10



# Safety and Care Advice

**Important** – Please read these instructions fully before starting assembly

- Check you have all the components and tools listed on pages 2 and 3.
- Remove all fittings from the plastic bags and separate them into their groups.
- Keep children and animals away from the work area, small parts could choke if swallowed.
- Make sure you have enough space to layout the parts before starting.

- Do not stand or put weight on the product, this could cause damage.
- Assemble the item as close to its final position (in the same room) as possible.
- Assemble on a soft level surface to avoid damaging the unit or your floor.
- Parts of the assembly will be easier with 2 people.



- We do not recommend the use of power drill/drivers **for inserting screws**, as this could damage the unit. Only use hand screwdrivers.
- Dispose of all packaging carefully and responsibly.

## Care and maintenance

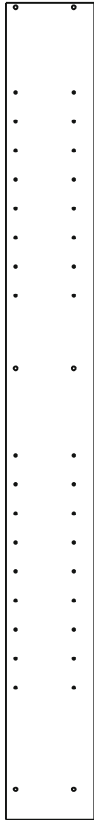
- Only clean using a damp cloth and mild detergent, do not use bleach or abrasive cleaners.
- From time to time check that there are no loose screws on this unit.
- This product should not be discarded with household waste. Take to your local authority waste disposal centre.

**Note:** if required the next page can be cut out and used as reference throughout the assembly. Keep this page with these instructions for future reference.

# Components - Panels

If you have damaged or missing components, call the **Customer Helpline: 08456 400 800**

Please check you have all the panels listed below



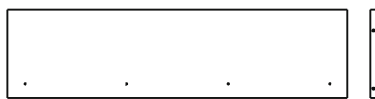
**2** Left side (1800x195mm)



**3** Fixed Horizontal x 2 (749x194mm)



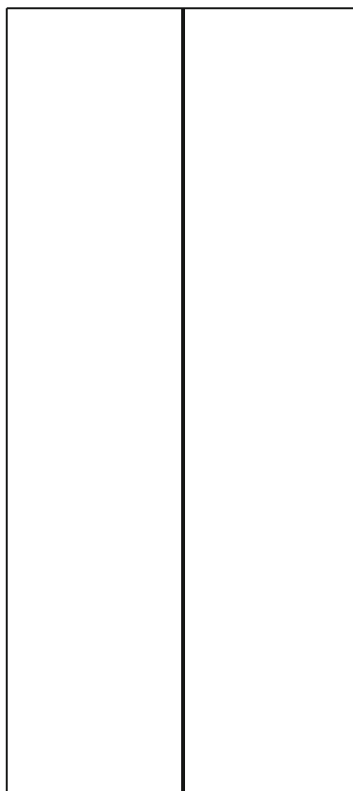
**5** Shelf x 4 (749x194mm)



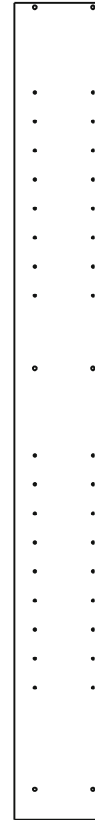
**4** Bottom (749x194mm)



**6** Front (749x59mm)



**7** Back (1737x776mm)




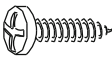




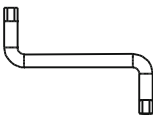
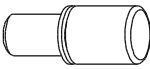
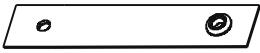
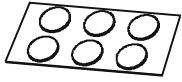
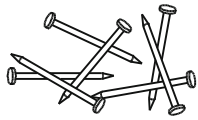
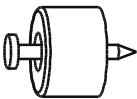
**1** Right side (1800x195mm)



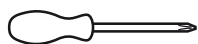
# Components - Fittings

Please check you have all the fittings listed below

**Note:** The quantities below are the correct amount to complete the assembly. In some cases more fittings may be supplied than are required.

<p><b>A</b></p>  <p>Plastic Support x 4</p>	<p><b>B</b></p>   <p>13mm Screw x 9</p>	<p><b>C</b></p>  <p>Nail Guide x 1</p>
<p><b>D</b></p>   <p>50mm Screw x 12</p>	<p><b>E</b></p>  <p>Allen Key x 1</p>	<p><b>F</b></p>  <p>Shelf Support x 16</p>
<p><b>G</b></p>  <p>Wall Strap x 1</p>	<p><b>H</b></p>  <p>6 Covering Stickers x 2 (Ø16mm)</p>	<p><b>I</b></p>  <p>Nail x 60</p>
<p><b>J</b></p>  <p>Shelf Stop x 2</p>		

## Tools required



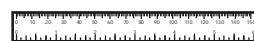
Phillips screwdriver



Small hammer

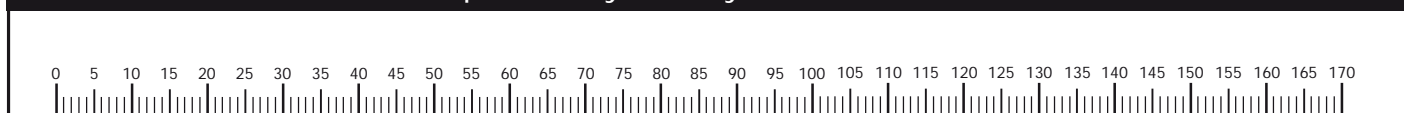


Eye protection  
(when using a hammer or glue)



Ruler/tape measure

**Ruler** - Use this ruler to help correctly identify the screws

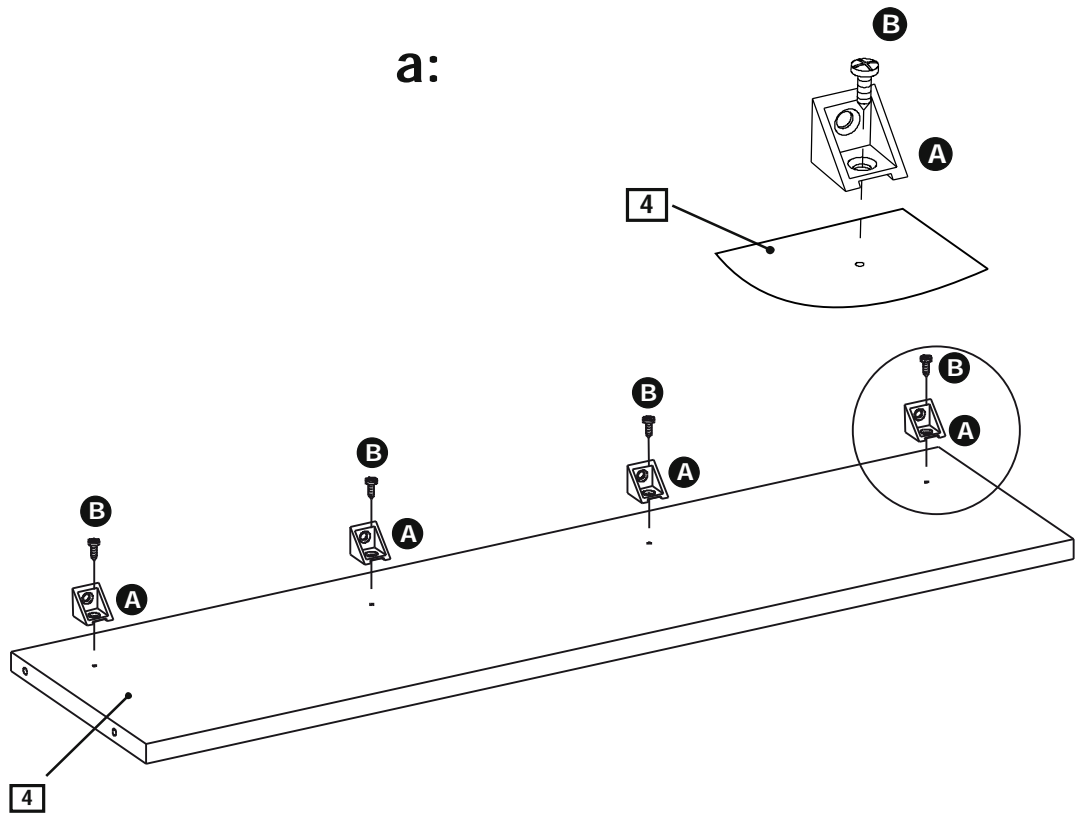


# Assembly Instructions

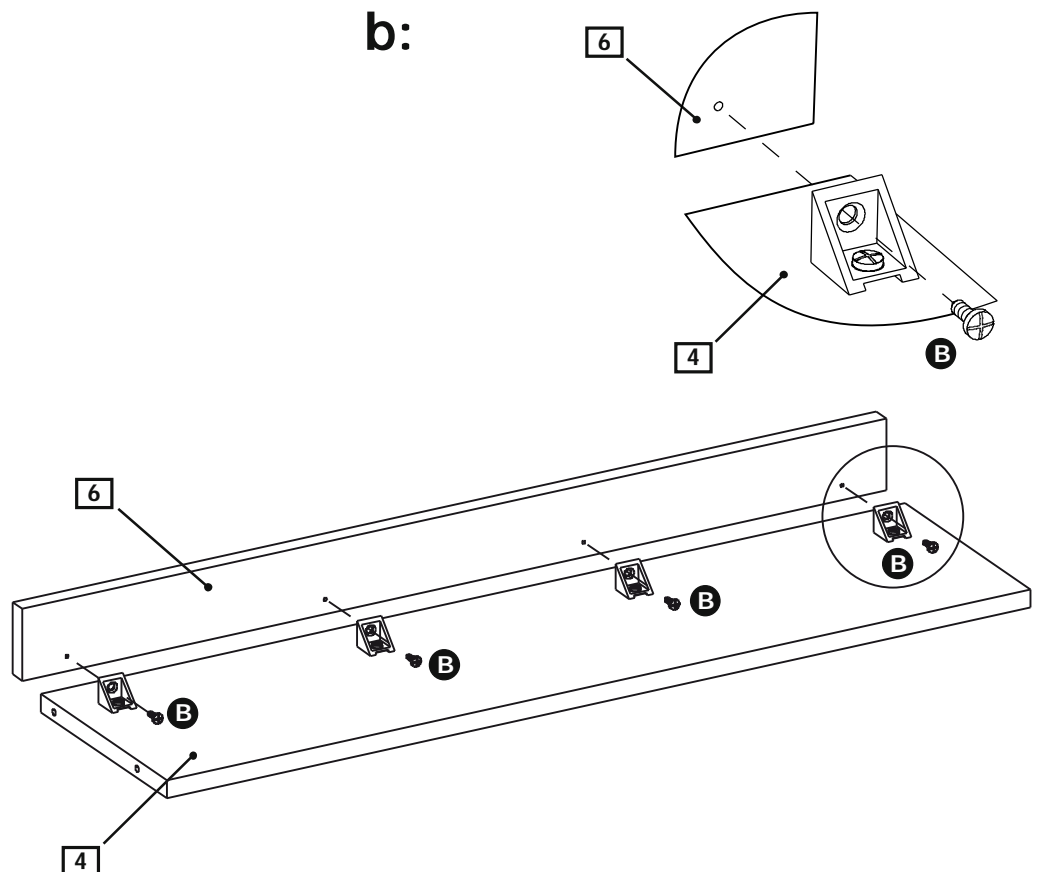
## Step 1

### Attaching bottom panel

**a:** Use Screws **B** to fix Plastic Support **A** onto the Bottom Panel **4**.



**b:** Use Screws **B** to connect the Front Panel **6** onto the Bottom Panel **4**.



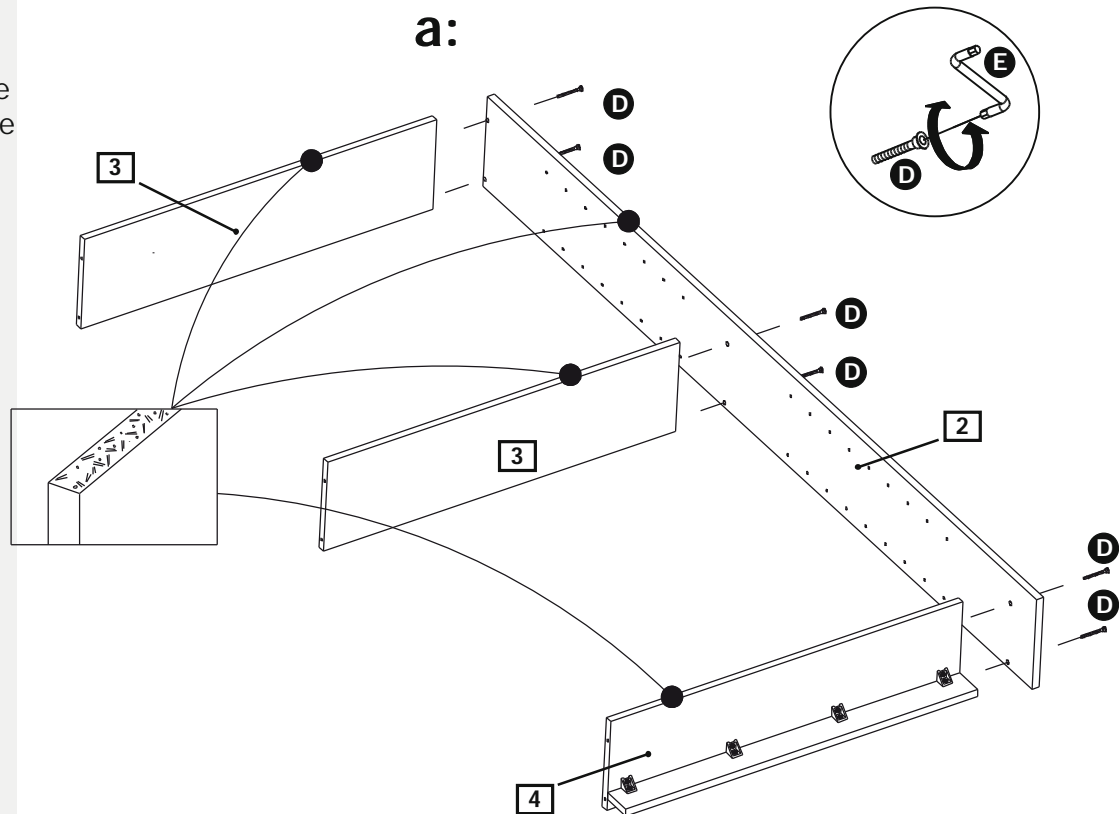
# Assembly Instructions

## Step 2

### Attaching side panel

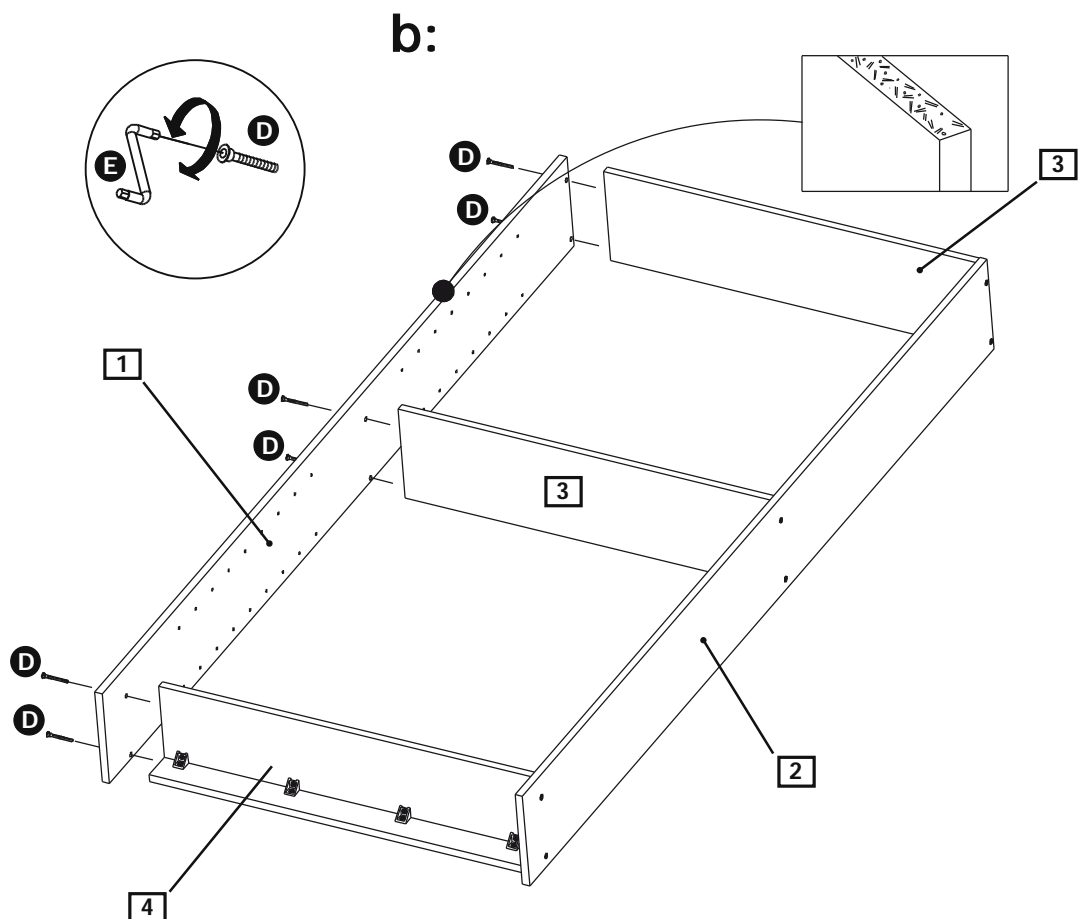
**a:** Use Screws **D** to fix the Left Side Panel **2** onto the Bottom Panel **4** and the two Panels (Bottom and Middle) **3**.

**Note:** Use Allen Key **E** to fix Screws **D**.



**b:** Use Screws **D** to fix the Right Side Panel **1** onto the Bottom Panel **4** and Top Panel **3**.

**Note:** Use Allen Key **E** to fix Screws **D**.



# Assembly Instructions

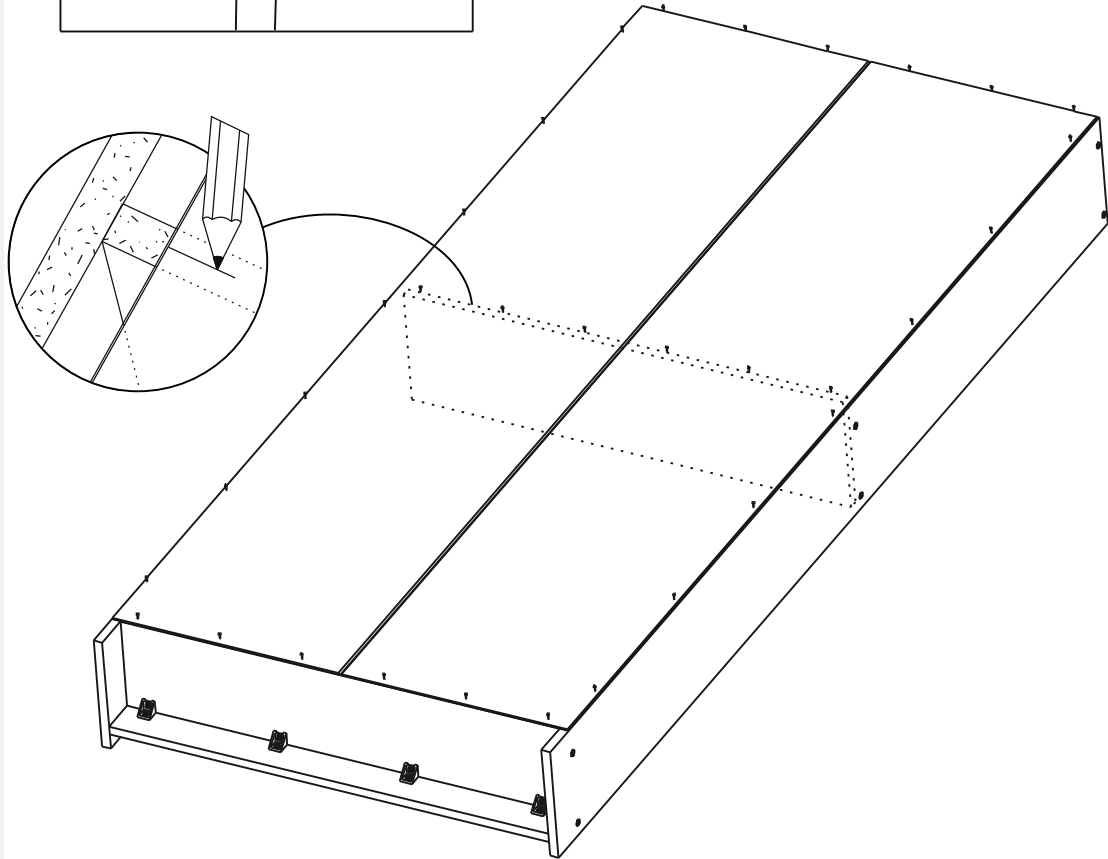
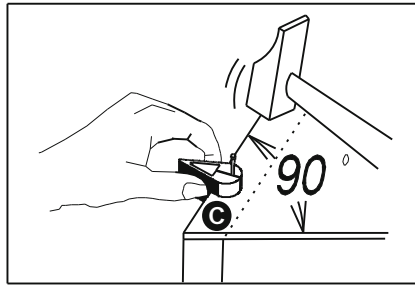
## Step 3

### Fixing back panel

Use Nails ❶ to fix the Back Panel ❷ onto the unit.

**Note:** Use Nail Guide ❸ to keep a constant distance from the edge.

Mark Back Panel ❷ for position of fixed Horizontal. Do this left and right. Join marks with ruler to guide position for nails





# Assembly Instructions

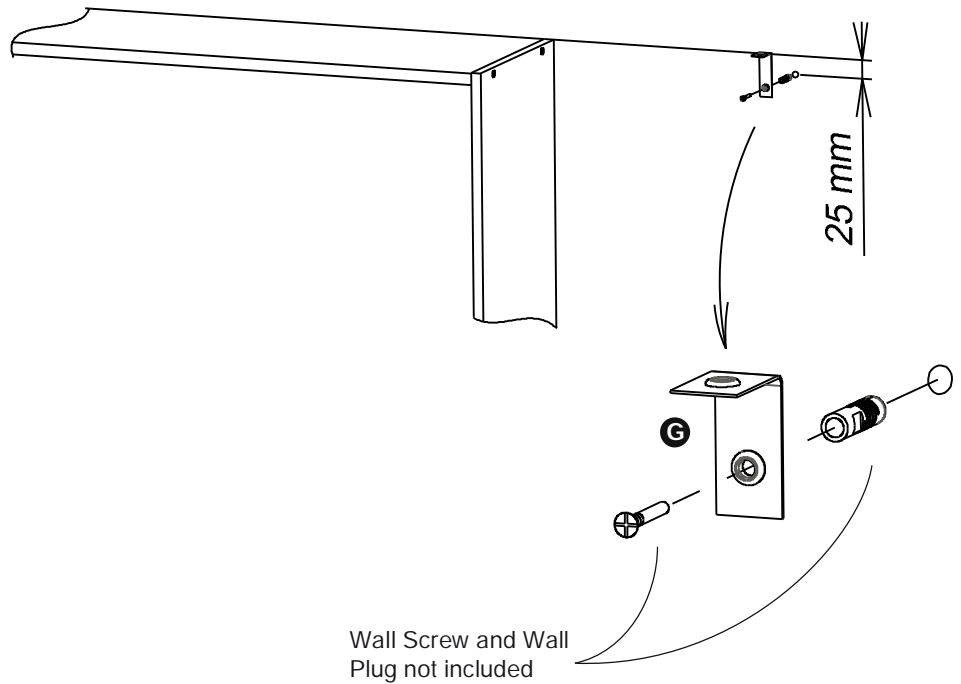
## Step 4

### Fixing to wall

It is recommended that the bookcase is fixed to a wall.

See Wall Fixing Guidelines at the end of these Assembly Instructions

Use Screw **B** to fix the Wall Strap **G** onto the Top of the panel.



## Step 5

### Attaching Shelf Panel

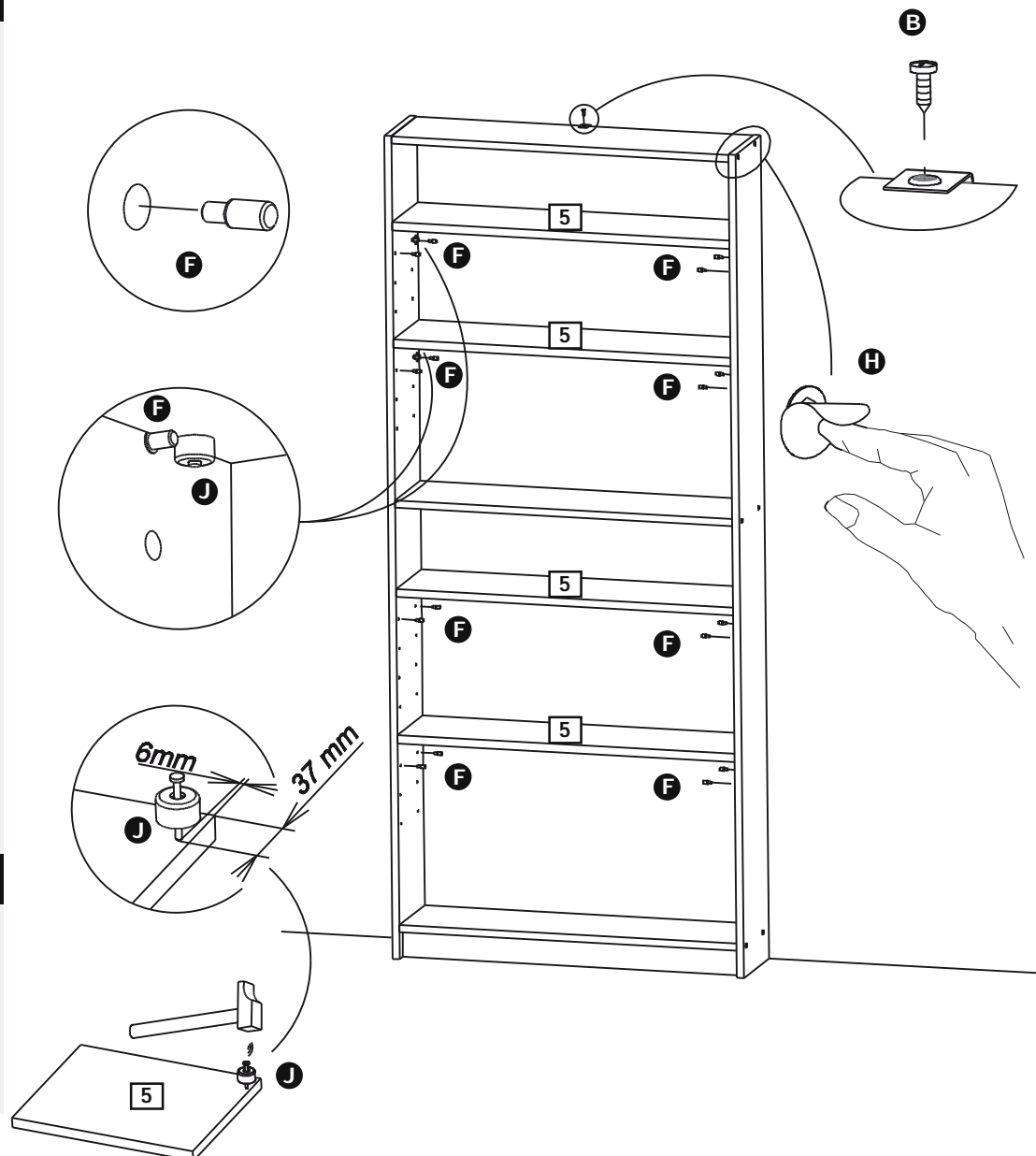
Insert Shelf Supports **F** into the unit.

Insert the two stop elements **J** on the shelves as the drawing.

Ensure they are well fitted before inserting the Shelves.

**Note:** Set the shelf supports to the desired height.

Slide the Shelves **5** into the unit.



## Step 6

### Covering Sticker

Use the Covering Sticker **H** to cover the Screw Heads.

# A Guide to - Wall Mounting & Fixings

## Important note:

If plastic wall plugs are supplied with your product:



- there are only suitable for use in masonry walls.

If you are in any doubt about the correct wall plugs for your wall, seek professional advice.


Failure of the product due to using incorrect fixings is the responsibility of the installer.



**Important:** When drilling into walls always check that there are no hidden wires or pipes etc.

Make sure that the screws and wall plugs being used are suitable for supporting your unit. Consult a qualified tradesperson if you are unsure.

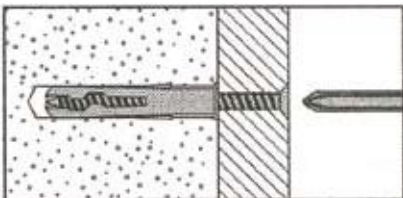
### Hints:

- 1: **General rule:**  Always use a larger screw and wall plug if you are not sure.
- 2: Ensure you use the recommended drill bit to match the wall plug and hole size.
- 3: Ensure you drill the hole horizontally, do not force the drill or enlarge the hole.
- 4: Take extra care when drilling high walls, ceilings and ceramic tiles. Ensure wall plugs are inserted beyond the thickness of the ceramic tiles to avoid the tiles splitting or cracking.
- 5: Ensure wall plugs are well fitted and are a tight fit in the drilled hole.

## Types of walls

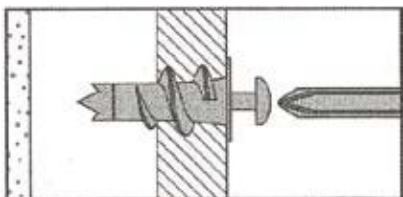
You can use one of the following types of wall plug if your walls are made of brick, breeze block, concrete, stone or wood.

No.1 "General Purpose" wall plug



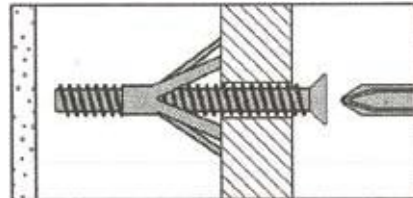
Generally aerated blocks should not be used to support heavy loads, use a specialist fitting in this case. For light loads, general purpose wall plugs can be used.

No.2 "Plasterboard" wall plug



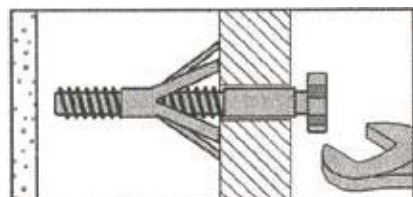
For use when attaching light loads on to plasterboard partitions.

No.3 "Cavity Fixing" wall plug



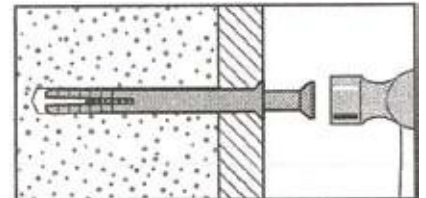
For use with plasterboard partitions or hollow wooden doors.

No.4 "Cavity Fixing-Heavy Duty" wall plug



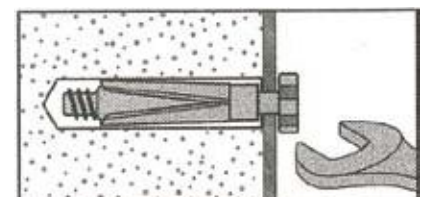
For use when fitting or supporting heavy loads such as shelving, wall cabinets and coat racks.

No.5 "Hammer Fixing" wall plug



For use with walls stuck with plasterboard. The hammer fixing allows it to be fixed to the wall rather than the plasterboard. Always check the fixing is secure to the retaining wall.

No.6 "Shield Anchor" wall plug  
Heavy loads



For use with heavier loads such as TV & HiFi speakers and satellite dishes etc.



## Care & Maintenance

**Safety:** Always check the fitting and location to ensure your safety in and around the home.

**Fitting:** From time to time check the fitting to ensure the wall plugs or screws do not become loose.