

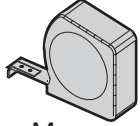
**CUSTOMER HELPLINE:
0845 0613967.**



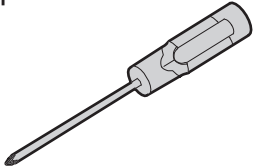
LOW ENTERTAINMENT UNIT

Step by Step Assembly Instructions

Tools Required



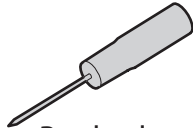
Tape Measure



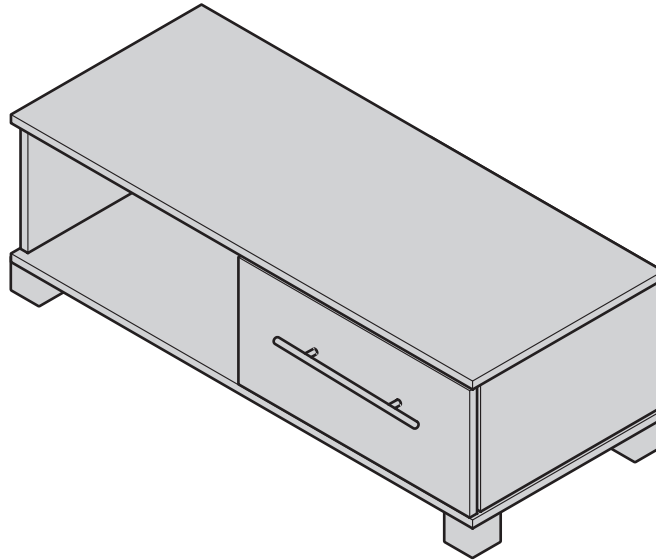
Cross Head Screwdriver



Hammer



Bradawl



**ASSEMBLY TIME:
1hr 30MINS
Approx.**

**Product code
033 XX 7500**

**Assembly Instruction
610 00 7500
Issue: B**

**Product Dimensions
HHHxWWWxDDD
310x940x388mm**

Help and Advice **IMPORTANT! PLEASE READ**

IMPORTANT! Before you start take a few moments to read through this leaflet and then follow the step by step instructions. Do not throw away any of the packaging until you have checked that you have all the component parts and fittings.

Dear Customer,

In the unlikely event of you finding any parts either missing or faulty, it will not be necessary to go to the trouble of returning the complete item.

Simply contact us on CUSTOMER HELPLINE :0845 0613967 Between 8am - 4.30pm Monday to Thursday and 8am - 2.30p.m friday.

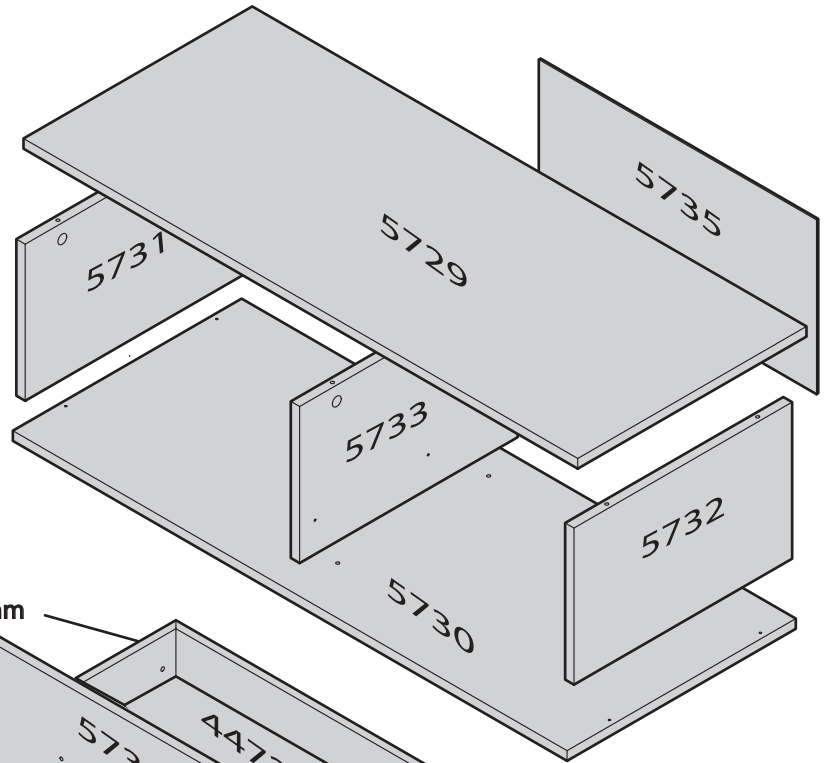
Please have the following information: Unit Description, Product Code, Product Colour, Place of Purchase, Catalogue Ref. No., Item Code, and have the assembly instructions close to hand.

We do have an answer machine should you contact us out of office hours, so in addition to the above information could you leave your name, address, daytime telephone number and the nature of your call on the answerphone. All calls will be actioned asap.

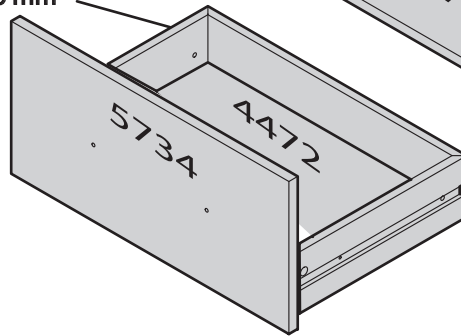
You can also e-mail your requests to us at: customer.helpdesk@addspacefl.co.uk

Alternatively Write to us at: Customer Service Department, Addspace Furniture Limited, Braithwell Way, Hellaby Industrial Estate, Hellaby, Rotherham, South Yorkshire, S66 8 QY.

DESCRIPTION	SIZE	QTY	CODE
TOP	940x388x15	1	5729
BOTTOM	940x388x15	1	5730
LH END	230x370x15	1	5731
RH END	230x370x15	1	5732
DIVISION	230x370x15	1	5733
DRAWER FRONT	471x224x15	1	5734
DRAWER BOTTOM	426x296x3	1	4472
BACK	471x256x3	1	5735



DRAWER SECTION
 1@ 300 x 439 x 300x 90 mm
 CODE : 625516605

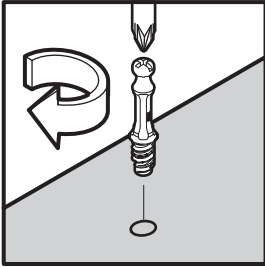


FITTINGS

THE SCREWPACK CONTAINS ITEMS WHICH MAY PROVE DANGEROUS TO CHILDREN ESPECIALLY THOSE UNDER 36 MONTHS. WE THEREFORE RECOMMEND CAUTION IS OBSERVED DURING THE ASSEMBLY OF YOUR UNIT. IF THE UNIT CONTAINS SCREW COVERCAPS, WE SUGGEST THAT THESE ARE GLUED INTO POSITION.

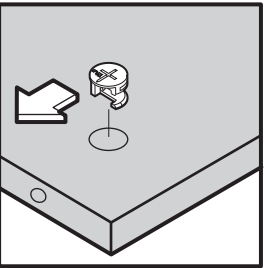
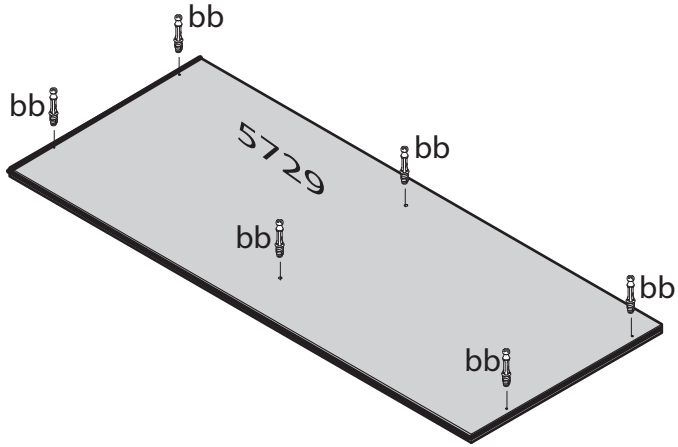
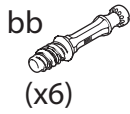
<p>aa LARGE</p> <p>CODE 760001103 QTY 6</p>	<p>bb</p> <p>CODE 760003004 QTY 8</p>	<p>cc SMALL</p> <p>CODE 760003005 QTY 2</p>	<p>dd</p> <p>CODE 690001008 QTY 4</p>	<p>ee</p> <p>CODE 760001040 QTY 2</p>
<p>ff</p> <p>CODE 720396000 QTY 5</p>	<p>gg</p> <p>9mm CODE 690001078 QTY 2</p>	<p>hh</p> <p>CODE 760001012 QTY 20</p>	<p>ii</p> <p>CODE 684004501 QTY 1</p>	<p>jj</p> <p>22mm CODE 690001018 QTY 10</p>
<p>kk</p> <p>45mm CODE 690001075 QTY 6</p>	<p>mm</p> <p>25mm CODE 690001021 QTY 2</p>	<p>nn</p> <p>CODE 644396000 QTY 1</p>		

IMPORTANT - NOTE: THICK LINES INDICATE FINISHED EDGES.



SCREW IN DOWEL UNTIL TIGHTENED.

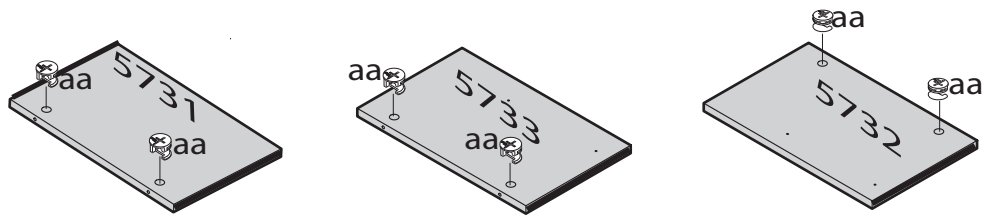
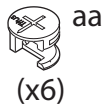
Fittings you will need in this step:



ENSURE CAM ARROW POINTS TOWARDS EDGE WITH HOLE.

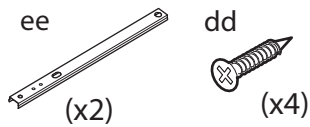
LOCATE FITTINGS - CONTINUED...

Fittings you will need in this step:



LOCATE FITTINGS - CONTINUED...

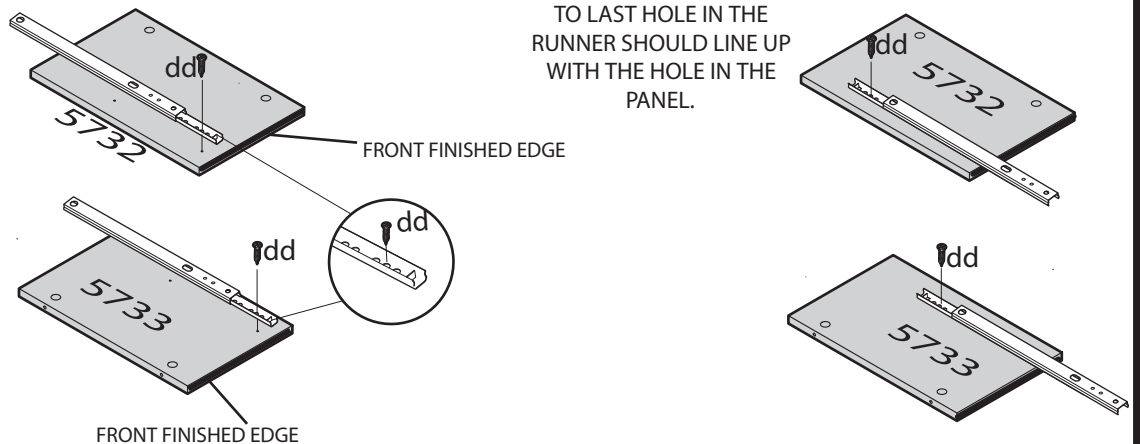
Fittings you will need in this step:



NOW SLIDE THE RUNNER FORWARD TO SECURE ANOTHER SCREW. THE 2ND TO LAST HOLE IN THE RUNNER SHOULD LINE UP WITH THE HOLE IN THE PANEL.

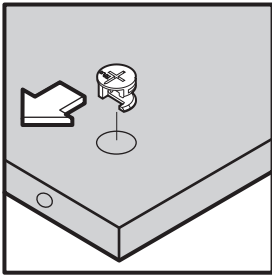
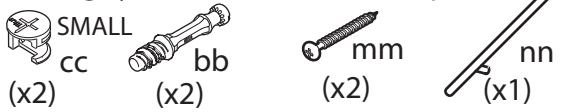
ALIGN THE DRAWER RUNNER WITH THE FRONT OF PANELS 5732 AND 5733. THE 2ND HOLE FROM THE FRONT WILL THEN LINE UP WITH A PRE-DRILLED HOLE. SECURE USING SCREWS dd.

NOTE: DETAIL OF DRAWER RUNNER POINTS TOWARDS FRONT FINISHED EDGE OF PANEL.

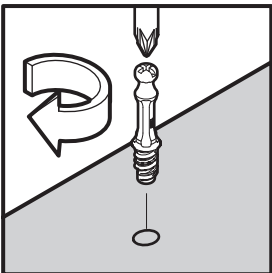


MAKE DRAWER

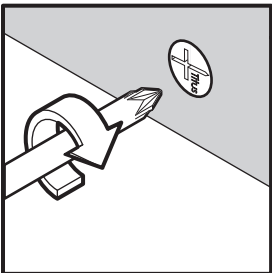
Fittings you will need in this step:



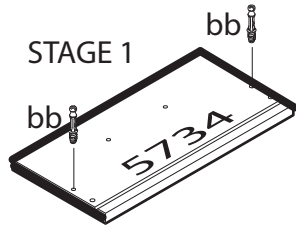
ENSURE CAM ARROW POINTS TOWARDS EDGE WITH HOLE.



SCREW IN DOWEL UNTIL TIGHTENED.

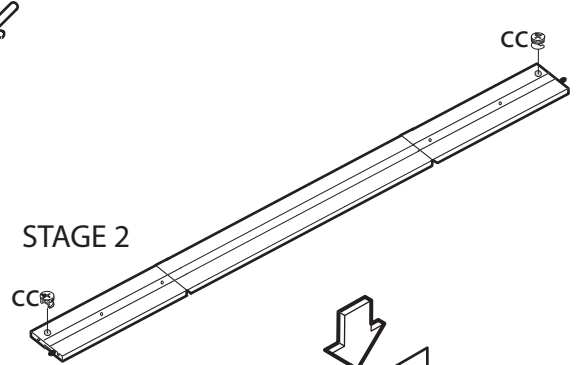


TURN CAM 180 DEGREES TO LOCK.

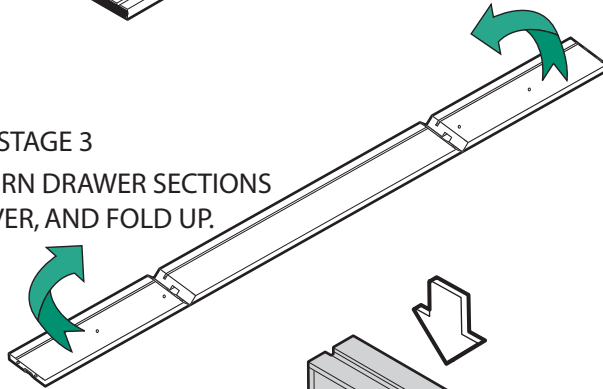


STAGE 1

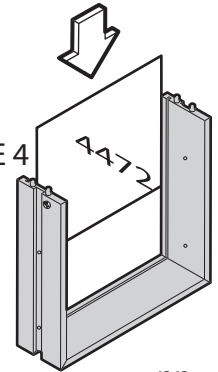
STAGE 2



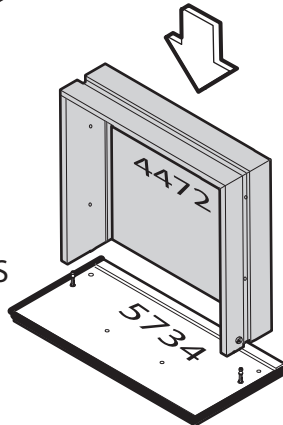
STAGE 3
TURN DRAWER SECTIONS OVER, AND FOLD UP.



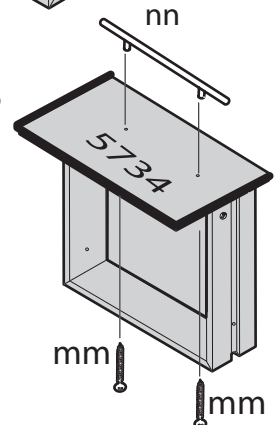
STAGE 4



STAGE 5
INSERT CAMS IN DRAWER SECTIONS ONTO DOWELS IN DRAWER FRONT 5734, THEN LOCK.



STAGE 6

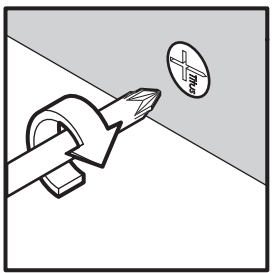


STEP 3

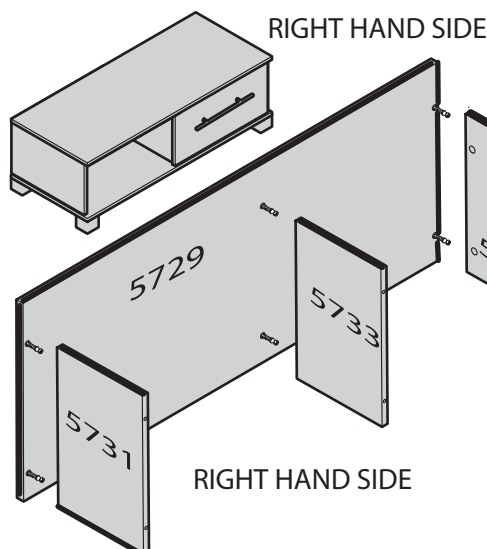
ATTACH TOP TO ENDS AND DIVISION

IMPORTANT! PLEASE NOTE AT THIS STEP YOU WILL HAVE TO DECIDE IF YOU WANT THE DRAWER TO SIT ON THE LEFT HAND SIDE OR RIGHT HAND SIDE OF THE UNIT.

INSERT CAMS IN PANELS 5731, 5732 AND 5733 ONTO DOWELS IN PANEL 5729. THEN LOCK.

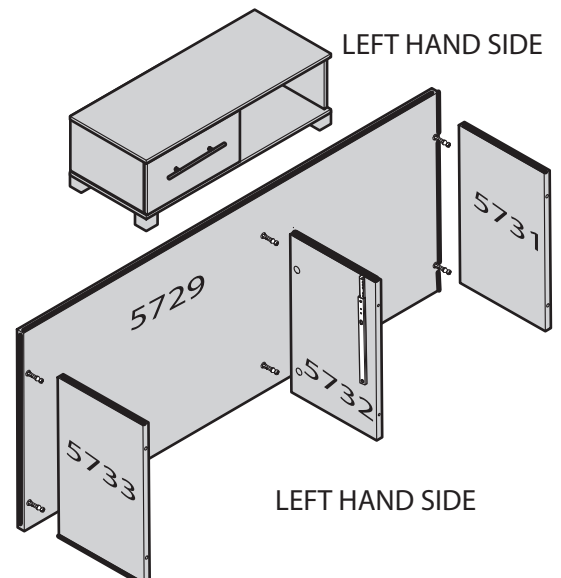


TURN CAM 180 DEGREES TO LOCK.



RIGHT HAND SIDE

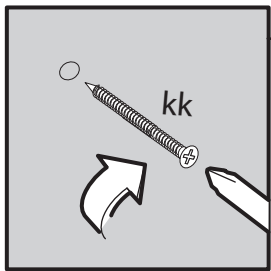
RIGHT HAND SIDE



LEFT HAND SIDE

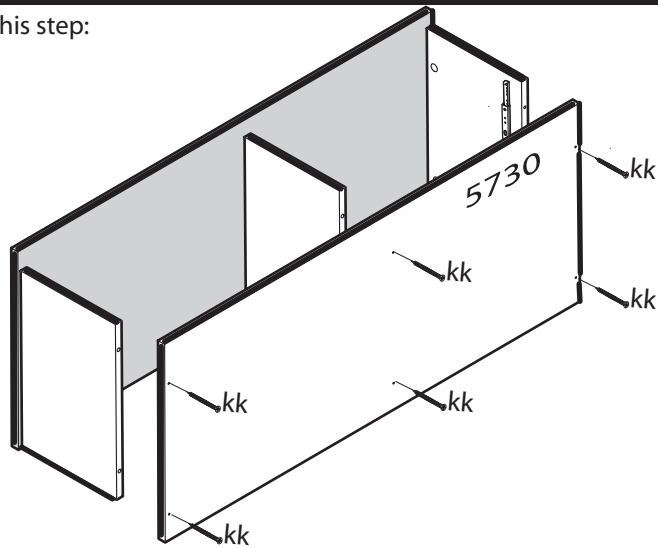
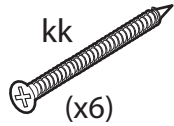
LEFT HAND SIDE

ATTACH BOTTOM TO ENDS AND DIVISION



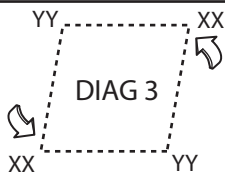
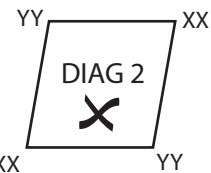
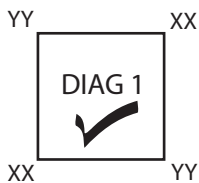
LOCATE SCREWS kk THROUGH HOLES IN BOTTOM 5730 AND SCREW INTO HOLES IN ENDS AND DIVISION.

Fittings you will need in this step:



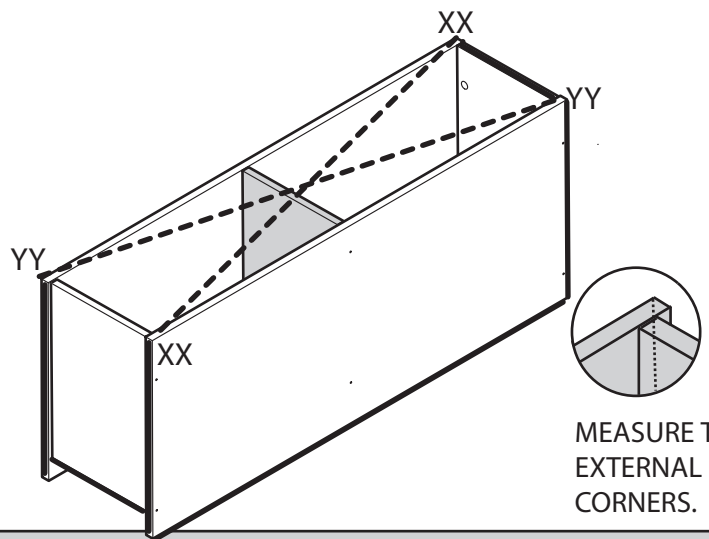
STEP 5

TURN UNIT OVER SO THAT THE FINISHED EDGES ON TOP/BOTTOM ARE TO THE FLOOR(2 PERSONS) AND SQUARE UNIT UP



IMPORTANT!
ENSURE A TAPE MEASURE IS USED TO SQUARE UP UNIT!

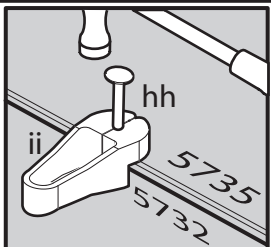
BEFORE SECURING THE BACK IT IS NECESSARY TO SQUARE UP THE UNIT. YOU CAN DO THIS BY MEASURING BETWEEN XX-XX AND YY-YY ENSURING THESE ARE THE SAME (DIAG 1). IF THEY ARE NOT (DIAG 2) APPLY SLIGHT PRESSURE AS INDICATED (DIAG 3) UNTIL THEY ARE THE SAME.



MEASURE TO EXTERNAL CORNERS.

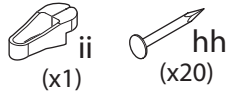
STEP 6

ATTACH 3mm BACK PANEL



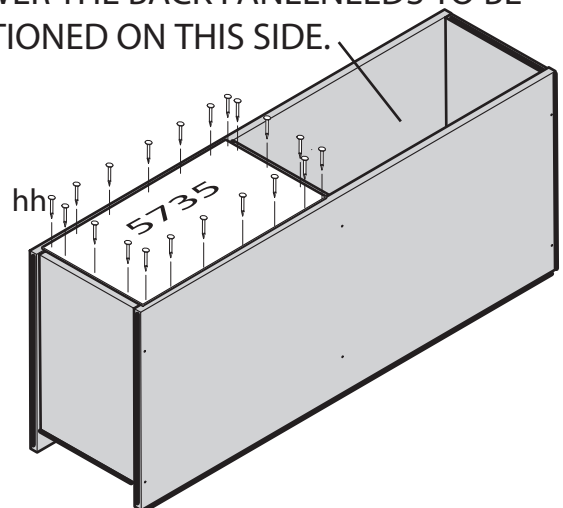
ALIGN BACK PANEL (5735) SO THAT THERE IS AN EQUAL GAP FROM THE EDGE OF END PANEL AND DIV PANEL THEN SECURE THIS IN PLACE. USE THE NAIL GUIDE WHEN LOCATING THE NAILS. THIS WILL HOLD THE NAILS VERTICAL AND ENSURE THE CORRECT DISTANCE FROM THE EDGE.

Fittings you will need in this step:



IF YOU HAVE DECIDED TO HAVE A LEFT HAND DRAWER THE BACK PANEL NEEDS TO BE POSITIONED ON THIS SIDE.

THE BACK PANEL IS TO BE POSITIONED TO COVER THE BACK OF THE DRAWER SPACE.

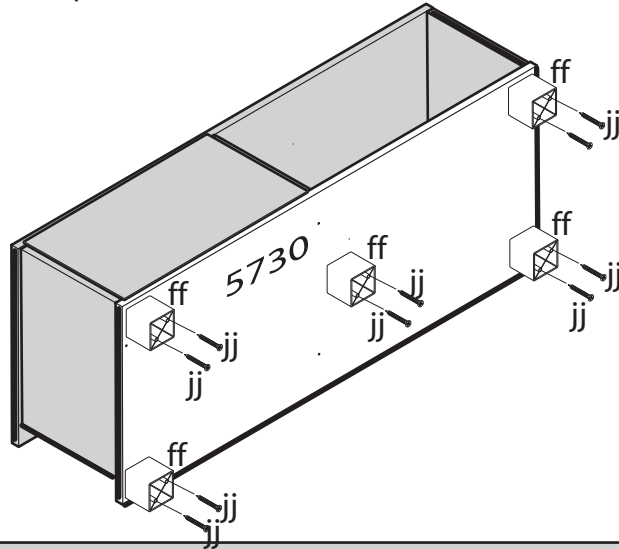
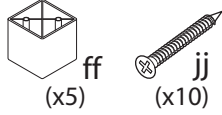


ATTACH FEET

LOCATE FEET TOWARDS THE CORNERS FOR MORE STABILITY. MARK POSITION WITH BRADAWL FIRST. THEN SCREW IN TO PLACE.

ENSURE YOU SECURE THE FEET TO BOTTOM PANEL THIS IS EDGED IN SILVER.

Fittings you will need in this step:

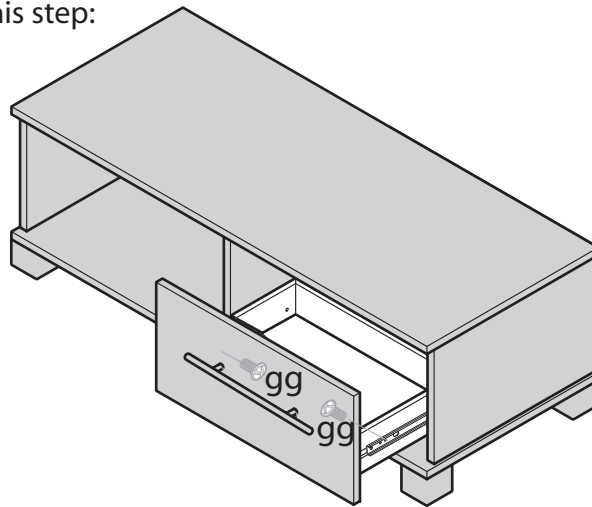


STEP 8

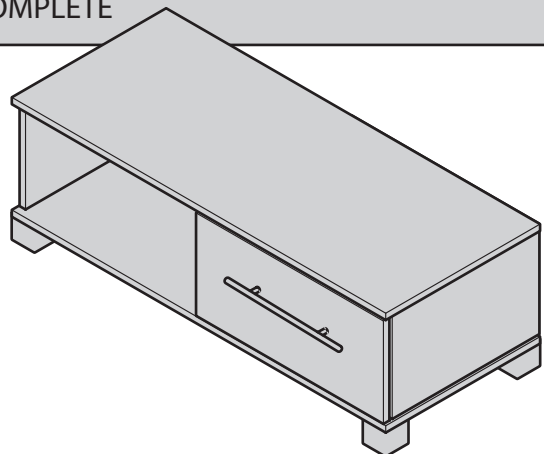
LIFT UNIT ONTO FEET(2 PERSONS) THEN LOCATE DRAWER

PULL SLIDING PART OF DRAWER RUNNERS (ee) OUT SO THEY ARE FULLY EXTENDED. THEN PLACE THE COMPLETED DRAWER UNIT ON TO THE RUNNERS SO THAT THE 2ND SMALL HOLE FROM THE FRONT OF THE RUNNER LINES UP WITH THE HOLE IN THE SIDES OF THE DRAWER SECTION. YOU MAY REQUIRE SOME HELP TO DO THIS. THEN FROM THE INSIDE OF THE DRAWER SCREW (gg) THROUGH SO THEY ARE ATTACHED.

Fittings you will need in this step:



CONGRATULATIONS YOUR UNIT IS COMPLETE



AFTERCARE INSTRUCTIONS, PLEASE READ.

PLEASE NOTE: TO KEEP YOUR UNIT IN PERFECT CONDITION CLEAN ONLY WITH A SOFT DAMP CLOTH. DO NOT USE ANY ABRASIVE CHEMICAL CLEANERS. DO NOT SUBJECT YOUR UNIT TO HEAT OR MOISTURE I.E BY PLACING HOT OR DAMP CUPS ETC ON ANY OF THE SURFACES. WE RECOMMEND THAT THE UNIT IS LIFTED AND NOT DRAGGED.