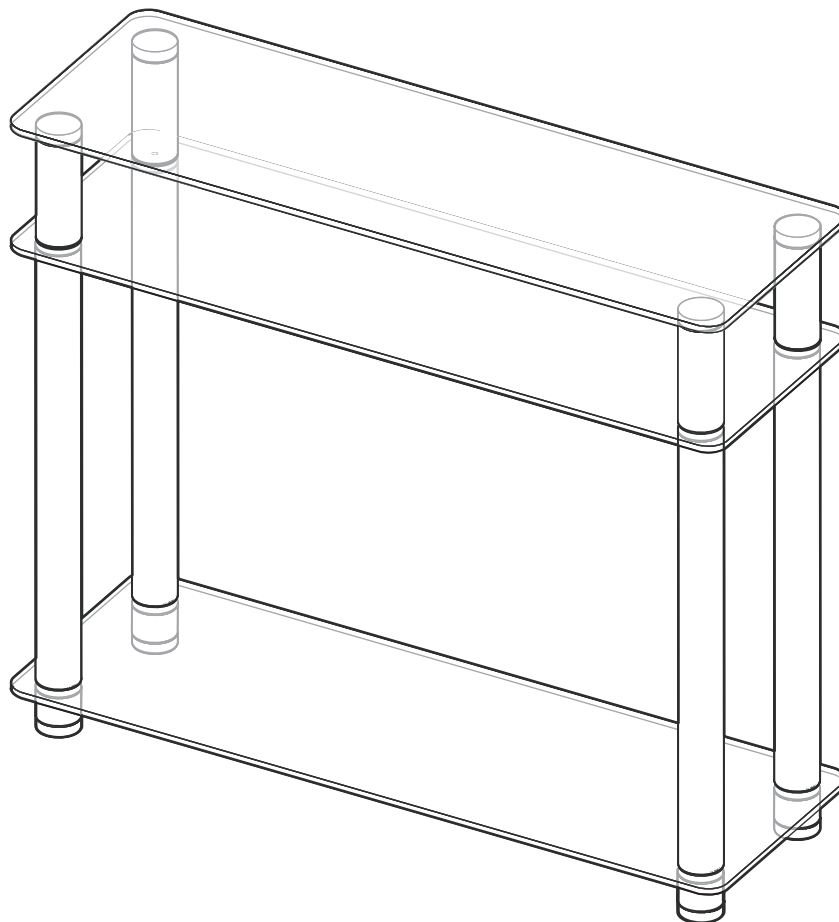


# Matrix -Metal / Glass Console Table

Assembly Instructions - Please keep for future reference

609/0739

609/0454



## Dimensions

Width - 90cm

Depth - 30cm

Height - 76cm

**Important** - Please read these instruction fully before starting assembly

If you need help or have damaged or missing parts, call the Customer Helpline: 08456 400800



# Safety and Care Advice

**Important** - Please read these instructions fully before starting assembly

- Check you have all the components and tools listed on pages 2 and 3.
- Remove all fittings from the plastic bags and separate them into their groups.
- Keep children and animals away from the work area, small parts could choke if swallowed.
- Make sure you have enough space to layout the parts before starting.

- Do not stand on the product, this could cause damage.
- Assemble the item as close to its final position (in the same room) as possible.
- Assemble on a soft level surface to avoid damaging the unit or your floor.
- Parts of the assembly will be easier with 2 people.



- We do not recommend the use of power drill/drivers for inserting screws, as this could damage the unit. Only use hand screwdrivers.
- Dispose of all packaging carefully and responsibly.

## Care and maintenance

- Only clean using a damp cloth and mild detergent, do not use bleach or abrasive cleaners.
- From time to time check that there are no loose screws on this unit.
- This product should not be discarded with household waste. Take to your local authority waste disposal centre.

## Keep These Instructions For Future Reference

- This product complies with BS EN 14749:2005
- Argos plc  
489-499 Avebury Boulevard  
Central Milton Keynes  
MK9 2NW
- Batch No./Date of manufacture:

## Warning

- Do not place very hot or very cold items against or in close proximity to glass surfaces unless an adequately thick insulating material is used to prevent such items from coming into contact with the glass.
- Do not sit or stand upon the glass surface(s).
- If a glass component is chipped or broken, stop using the product and consult the manufacturer or supplier.
- Do not use the glass as a chopping surface. Do not strike the glass with hard or pointed items.

Note: if required the next page can be cut out and used as reference throughout the assembly. Keep this page with these instructions for future reference.

# Components - Panels

Please check you have all the panels listed below



**1** Glass top x 1  
(90 x 30cm)



**2** Metal rod x 4  
(74.5 x 0.7cm)



**3** Metal tube x 4  
(5.08 x 13.5cm)



**4** Glass shelf x 2  
(90 x 30cm)



**5** Metal tube x 4  
(5.08 x 53cm)



**6** Metal tube x 4  
(5.08 x 5.5cm)



**7** Feet x 4  
(5.2 x 1.3cm)

# Components - Fittings

If you have damaged or missing components, call the Customer Helpline: 08456 400800

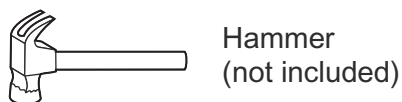
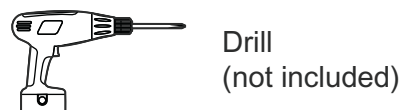
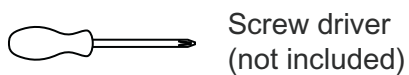
Please check you have all the fittings listed below

Note: The quantities below are the correct amount to complete the assembly. In some cases more fittings may be supplied than are required.

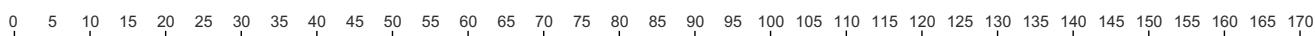


Wall mounting strap x 2

## Tools required



Ruler - Use this ruler to help correctly identify the screws

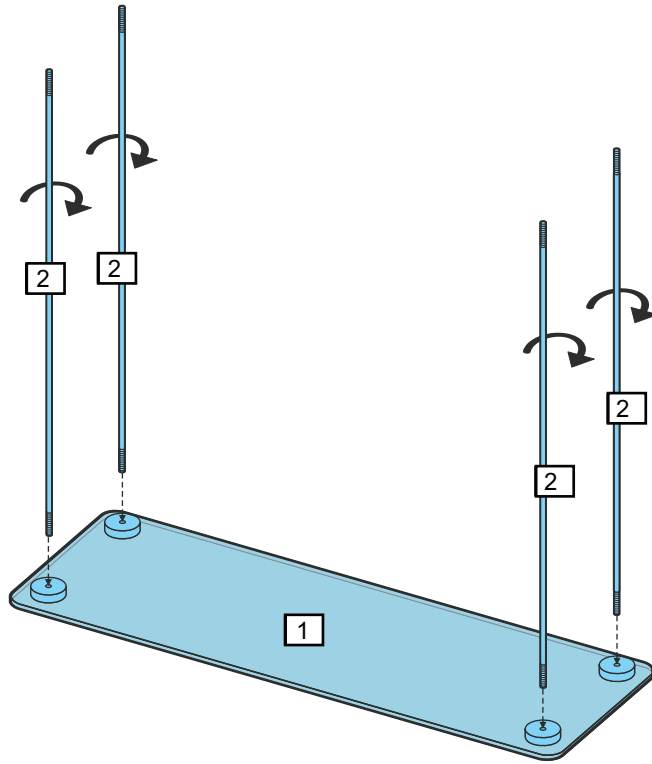


# Assembly Instructions

## Step 1

### Fitting Metal Rod

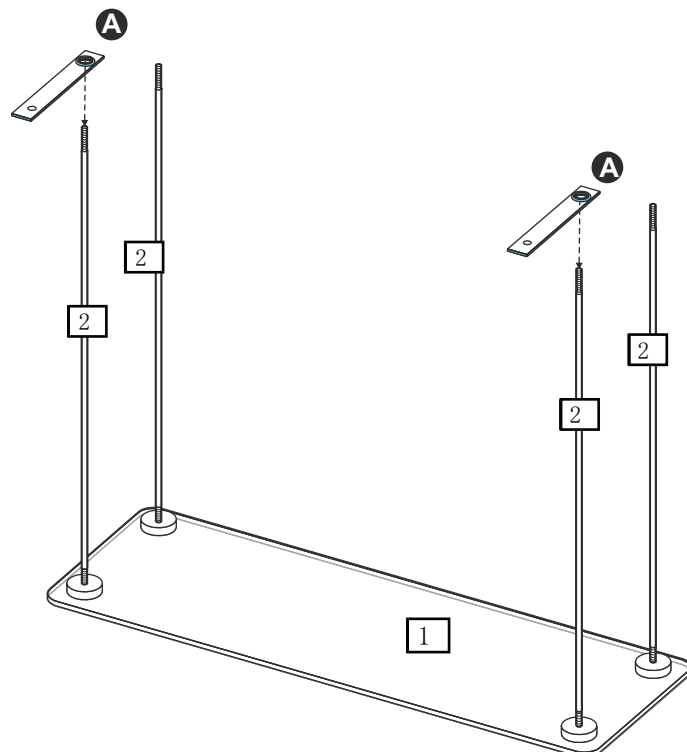
Finger tighten 4 pcs of metal rods **2** onto glass top **1** as shown.



## Step 2

### Fitting Wall Straps

Put 2 pcs of wall straps **A** through metal rods **2**.

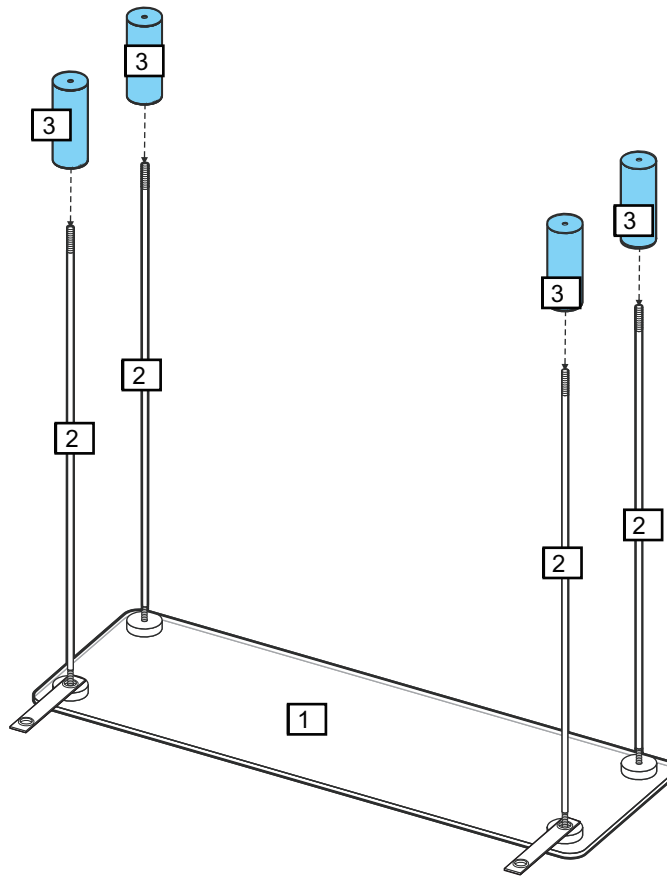


# Assembly Instructions

## Step 3

### Fitting Metal Tube

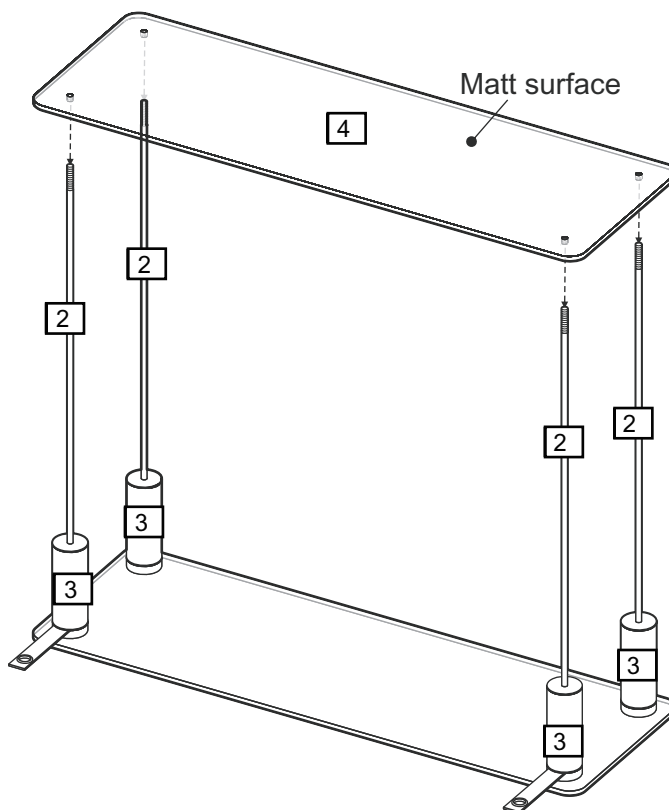
Attach 4 pcs of metal tubes **3** through 4 pcs of metal rods **2** as shown.



## Step 4

### Attaching Glass Shelf

Please be careful to place glass shelf **4** through 4 pcs of metal rods **2** as shown.

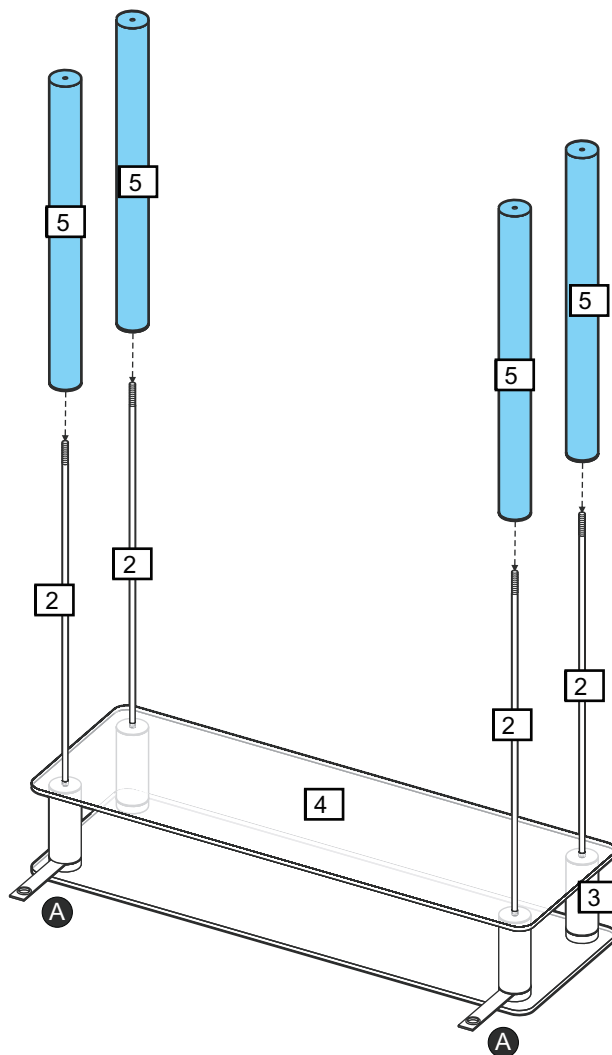


# Assembly Instructions

## Step 5

### Fitting Metal Tube

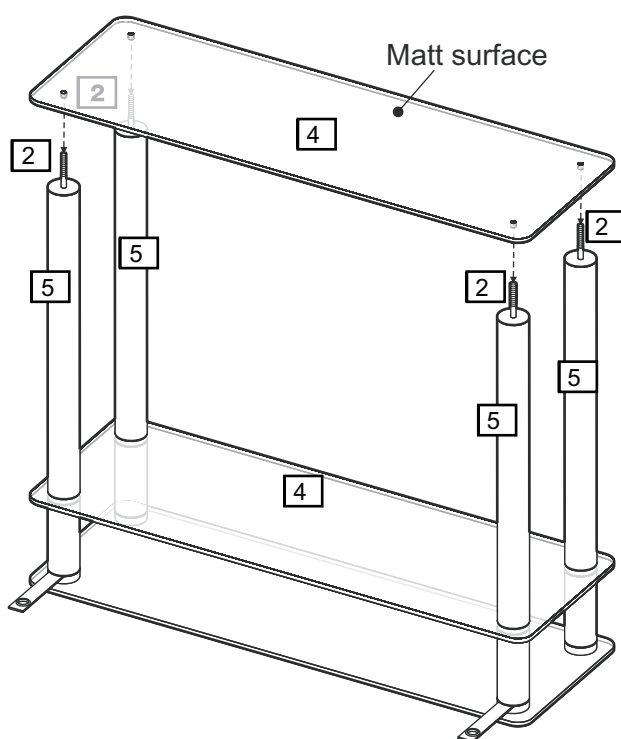
Attach 4 pcs of metal tubes **5** through 4 pcs of metal rods **2** as shown.



## Step 6

### Attaching Glass Shelf

Please be careful to place glass shelf **4** through 4 pcs of metal rods **2** as shown.

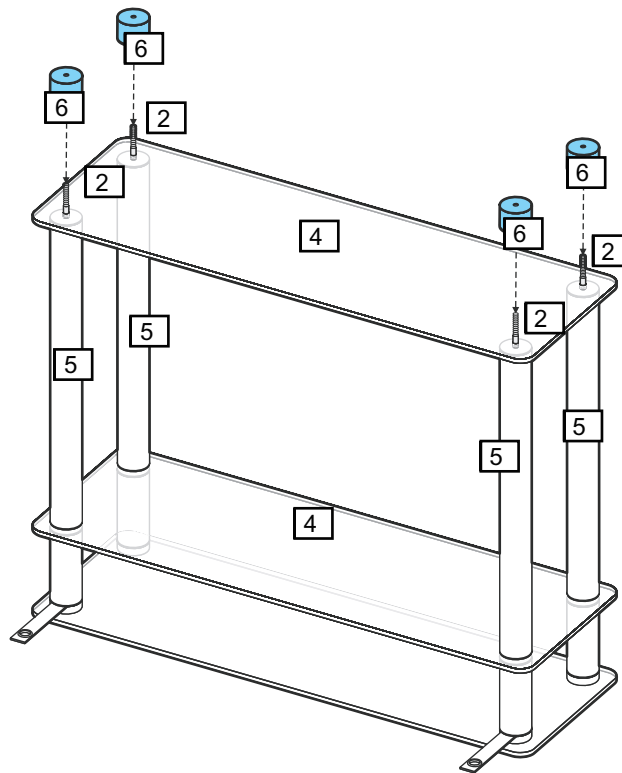


# Assembly Instructions

## Step 7

### Fitting Cap

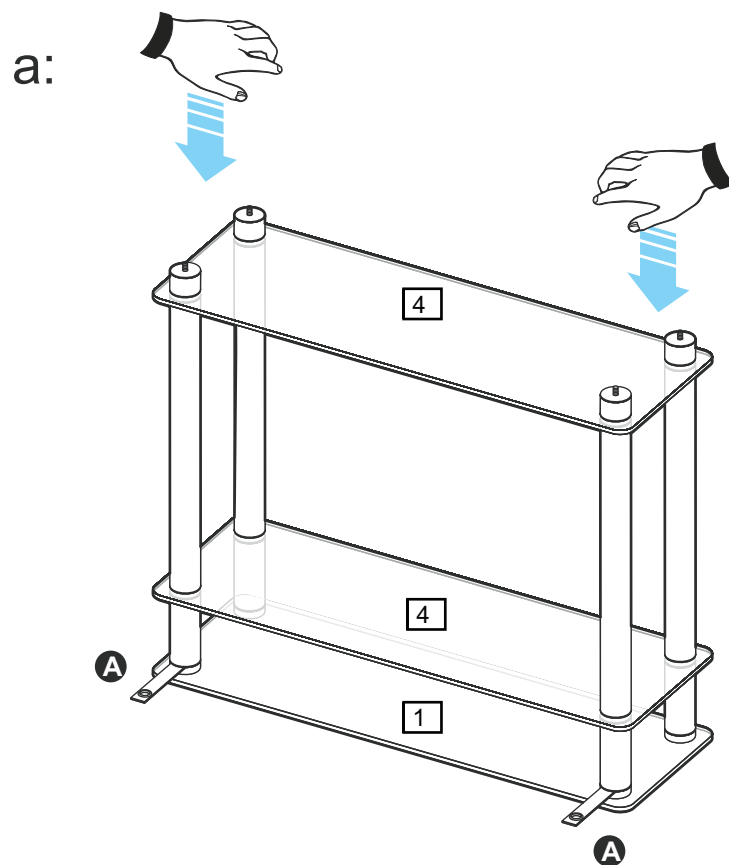
Attach 4 pcs of metal tubes **6** through 4 pcs of metal rods **2** as shown.



## Step 8

### Fitting glass shelf in position

a: Push two sides of glass **4** down.



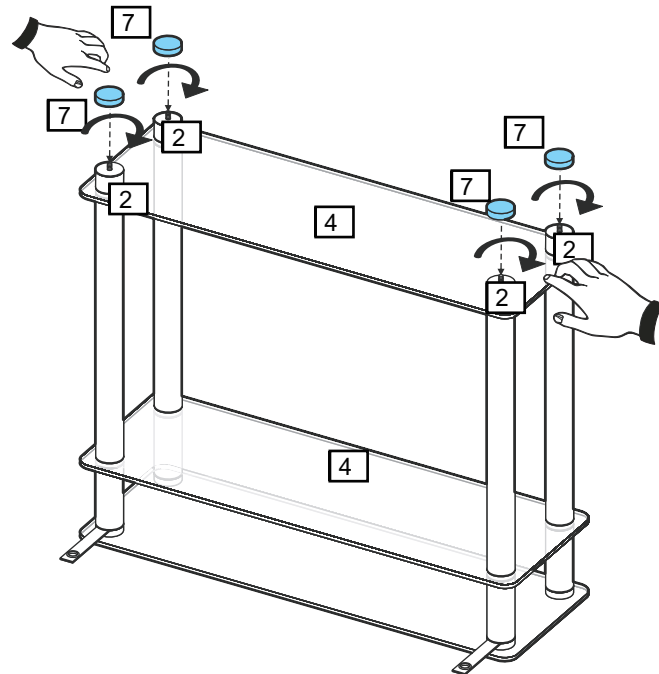


# Assembly Instructions

## Step 8-continued

b: Finger tighten 4 pcs of feet **7** onto metal rods **2** as shown.

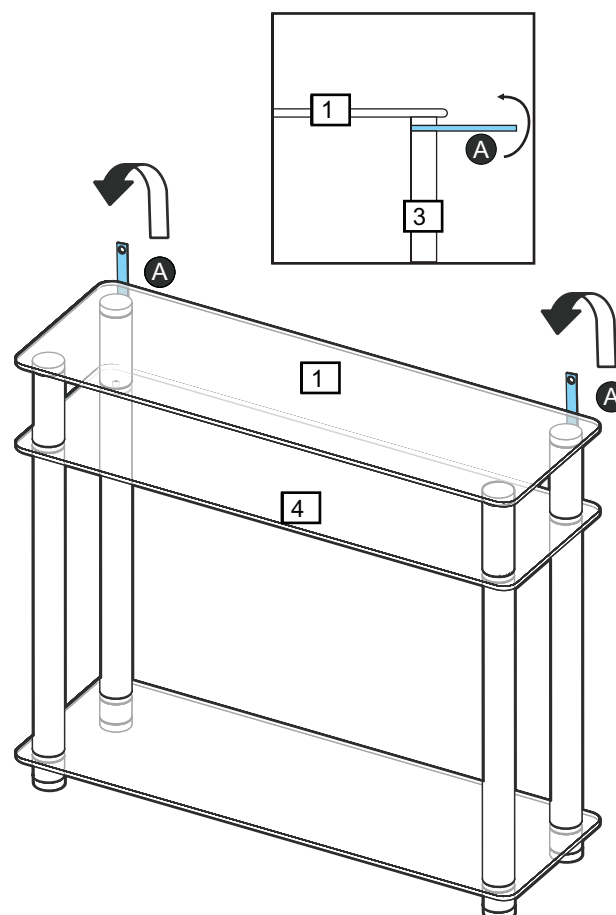
b:



## Step 9

### Adjust Wall strap

Straighten up the wall straps **A** as shown.



# Assembly Instructions

## Step 10

### Fixing to wall

It is recommended that the unit is fixed to a wall.

Fix wall strap to top of the unit by using screw.

With help, move the unit into position.



**Warning:**  
The unit is heavy.  
Lift with care.

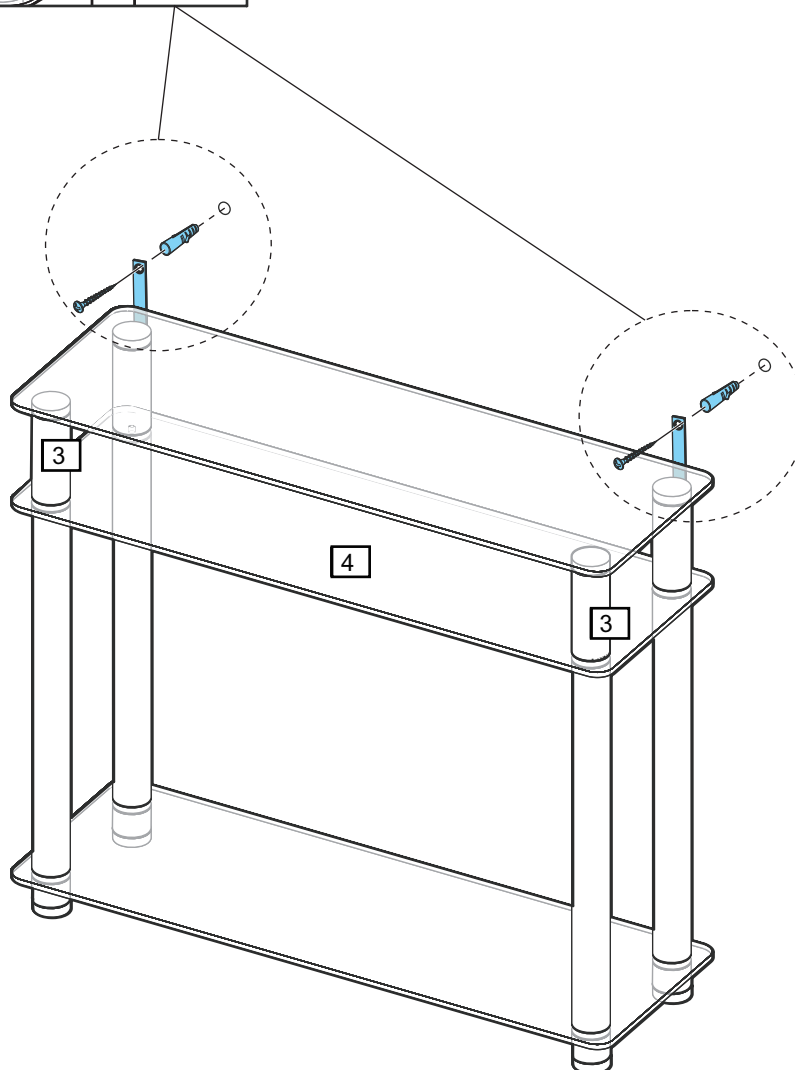
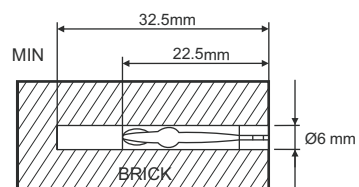
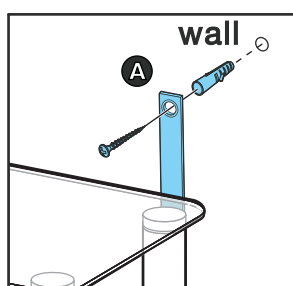
Mark fixing hole on wall and remove the unit.

Drill 6mm hole and insert wall plug.



**Warning:**  
Before drilling, check wall for hidden pipes and cables.

Reposition the unit and fix wall strap by using screw.



If you need help or have damaged or missing parts, call the Customer Helpline: 08456 400800

# A Guide to - Wall Mounting & Fixings

## Important note:

If plastic wall plugs are supplied with your product:



- these are only suitable for use in masonry walls.

If you are in any doubt about the correct wall plugs for your wall, seek professional advice.

Failure of the product due to using incorrect fixings is the responsibility of the installer.



**Important:** When drilling into walls always check that there are no hidden wires or pipes etc.

Make sure that the screws and wall plugs being used are suitable for supporting your unit. Consult a qualified tradesperson if you are unsure.

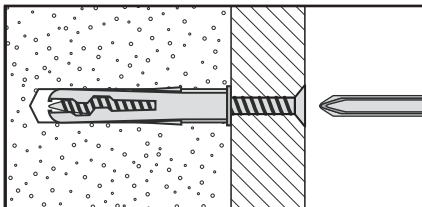
## Hints:

- 1: **General rule:** ⚠ Always use a larger screw and wall plug if you are not sure.
- 2: Ensure you use the recommended drill bit to match the wall plug and hole size.
- 3: Ensure you drill the hole horizontally, do not force the drill or enlarge the hole.
- 4: Take extra care when drilling high walls, ceilings and ceramic tiles. Ensure wall plugs are inserted beyond the thickness of the ceramic tiles to avoid the tiles splitting or cracking.
- 5: Ensure wall plugs are well fitted and are a tight fit in the drilled hole.

## Types of walls

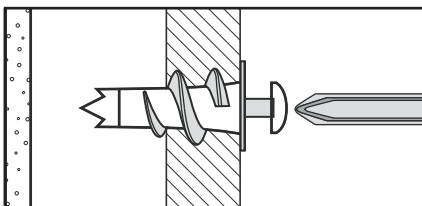
You can use one of the following types of wall plug if your walls are made of brick, breeze block, concrete, stone or wood.

### No.1 "General Purpose" wall plug



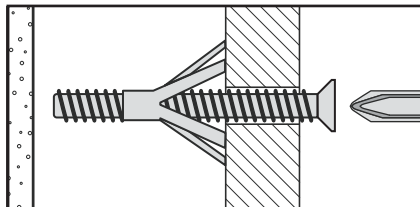
Generally aerated blocks should not be used to support heavy loads, use a specialist fitting in this case. For light loads, general purpose wall plugs can be used.

### No.2 "Plasterboard" wall plug



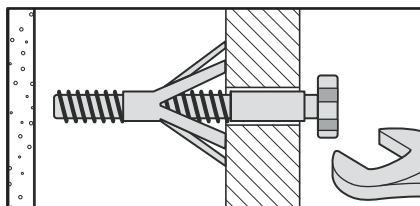
For use when attaching light loads on to plasterboard partitions.

### No.3 "Cavity Fixing" wall plug



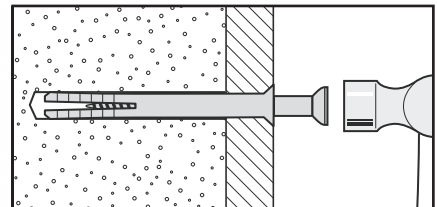
For use with plasterboard partitions or hollow wooden doors.

### No.4 "Cavity Fixing-Heavy Duty" wall plug



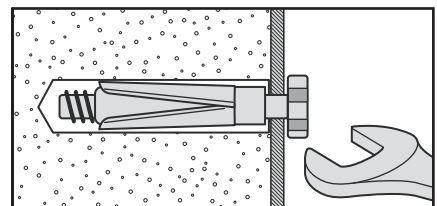
For use when fitting or supporting heavy loads such as shelving, wall cabinets and coat racks.

### No.5 "Hammer Fixing" wall plug



For use with walls stuck with plasterboard. The hammer fixing allows it to be fixed to the wall rather than the plasterboard. Always check the fixing is secure to the retaining wall.

### No.6 "Shield Anchor" wall plug Heavy loads



For use with heavier loads such as TV & HiFi speakers and satellite dishes etc.



## Care & Maintenance

**Safety:** Always check the fitting and location to ensure your safety in and around the home.

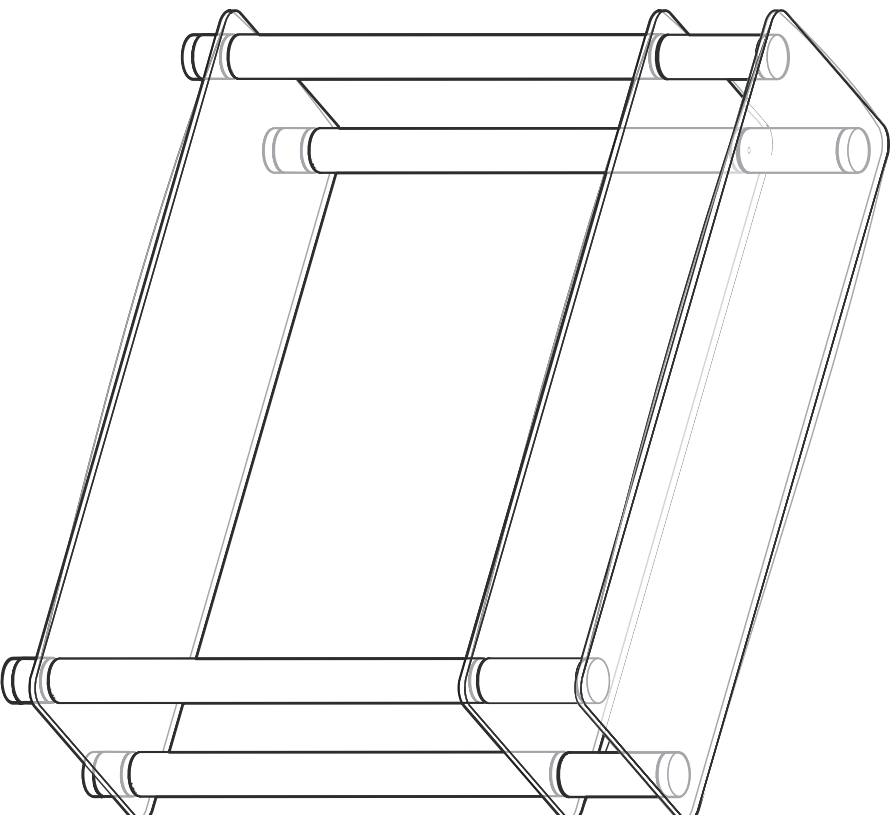
**Fitting:** From time to time check the fitting to ensure the wall plugs or screws do not become loose.

# Matrix -Metal / Glass Console Table

Assembly Instructions - Please keep for future reference

609/0739

609/0454



## Dimensions

Width - 90cm

Depth - 30cm

Height - 76cm

**Important - Please read these instruction fully before starting assembly**

If you need help or have damaged or missing parts, call the Customer Helpline: 08456 400800



# Safety and Care Advice

**Important - Please read these instructions fully before starting assembly**

- Check you have all the components and tools listed on pages 2 and 3.
- Remove all fittings from the plastic bags and separate them into their groups.
- Keep children and animals away from the work area, small parts could choke if swallowed.
- Make sure you have enough space to layout the parts before starting.
- Do not stand on the product, this could cause damage.
- Assemble the item as close to its final position (in the same room) as possible.
- Assemble on a soft level surface to avoid damaging the unit or your floor.
- Parts of the assembly will be easier with 2 people.
- We do not recommend the use of power drill/drivers for inserting screws, as this could damage the unit. Only use hand screwdrivers.
- Dispose of all packaging carefully and responsibly.



- Only clean using a damp cloth and mild detergent, do not use bleach or abrasive cleaners.
- From time to time check that there are no loose screws on this unit.
- This product should not be discarded with household waste. Take to your local authority waste disposal centre.

## Care and maintenance

### Keep These Instructions For Future Reference

- This product complies with BS EN 14749:2005
- Argos plc  
489-499 Avebury Boulevard  
Central Milton Keynes  
MK9 2NW
- Batch No./Date of manufacture:

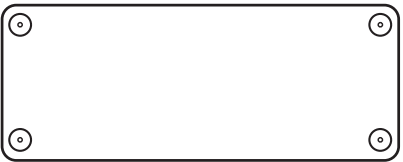
## Warning

- Do not place very hot or very cold items against or in close proximity to glass surfaces unless an adequately thick insulating material is used to prevent such items from coming into contact with the glass.
- Do not sit or stand upon the glass surface(s).
- If a glass component is chipped or broken, stop using the product and consult the manufacturer or supplier.
- Do not use the glass as a chopping surface. Do not strike the glass with hard or pointed items.

Note: if required the next page can be cut out and used as reference throughout the assembly. Keep this page with these instructions for future reference.

# Components - Panels

Please check you have all the panels listed below



**1** Glass top x 1  
(90 x 30cm)



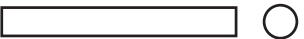
**2** Metal rod x 4  
(74.5 x 0.6cm)



**3** Metal tube x 4  
(5 x 14.5 cm)



**4** Glass shelf x 2  
(90 x 30cm)



**5** Metal tube x 4  
(5 x 53 cm)



**6** Metal tube x 4  
(5 x 5.7 cm)



**7** Feet x 4  
(5x1.4cm)



**8** plastic pad x 16  
(5x1.4cm)



# Components - Fittings

If you have damaged or missing components, call the Customer Helpline: 08456 400800

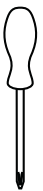
Please check you have all the fittings listed below

Note: The quantities below are the correct amount to complete the assembly. In some cases more fittings may be supplied than are required.

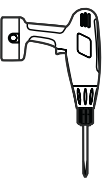


Wall mounting strap x 2

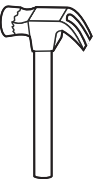
## Tools required



Screw driver  
(not included)

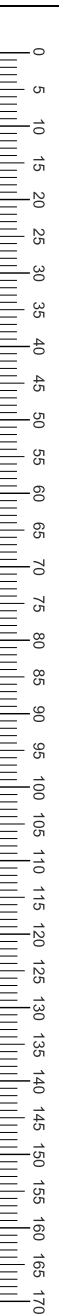


Drill  
(not included)



Hammer  
(not included)

Ruler - Use this ruler to help correctly identify the screws

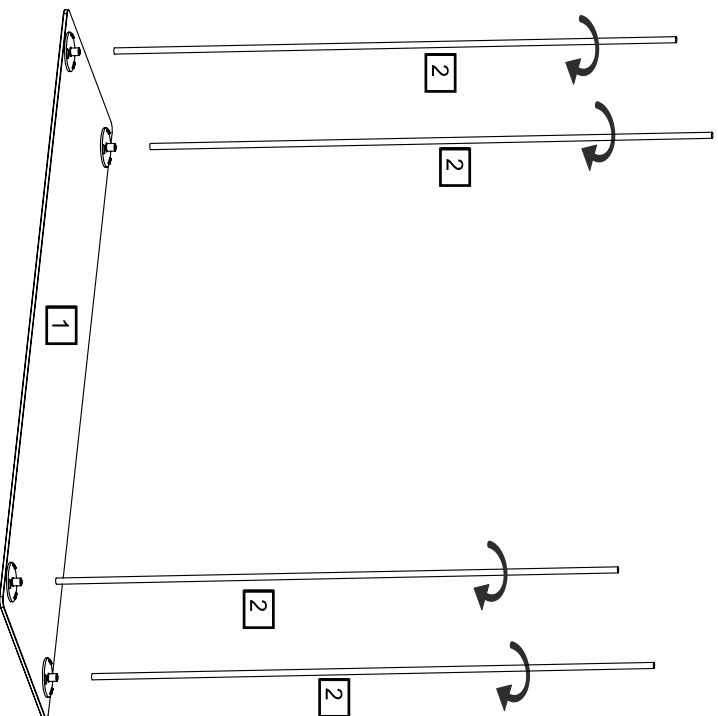


# Assembly Instructions

## Step 1

### Fitting Metal Rod

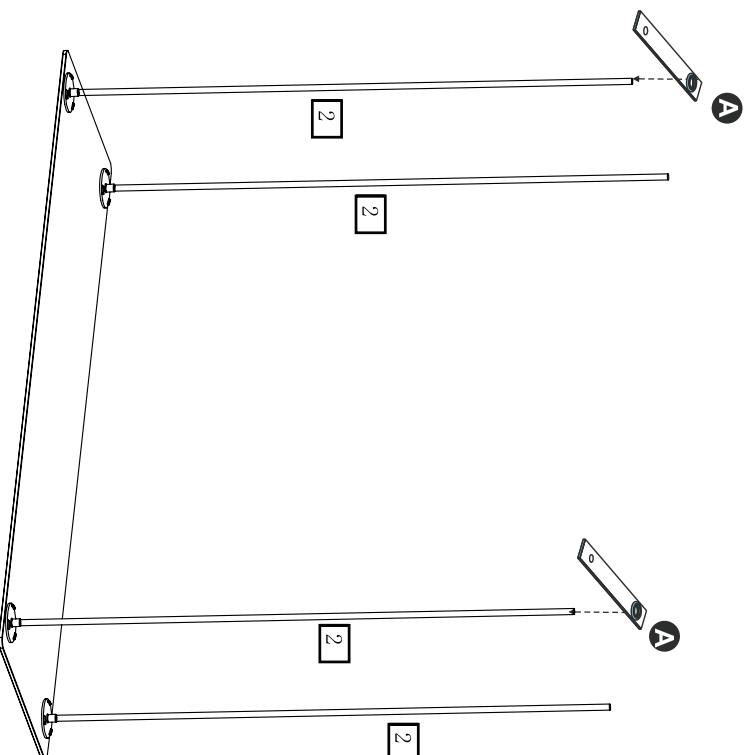
Finger tighten 4 pcs of metal rods **2** onto glass top **1** as shown.



## Step 2

### Fitting Wall Straps

Put 2 pcs of wall straps **A** through metal rods **2**.



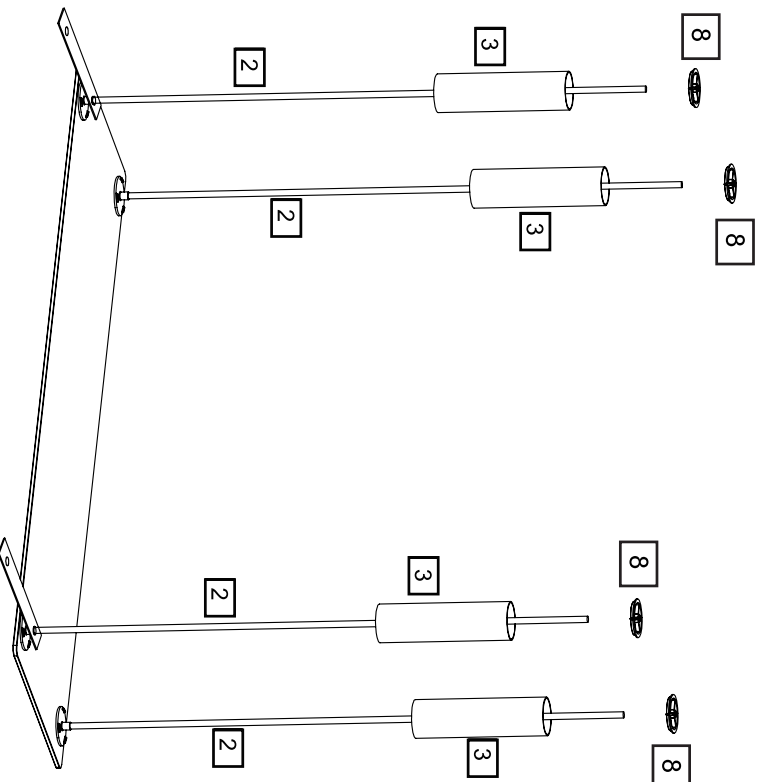


# Assembly Instructions

## Step 3

### Fitting Metal Tube

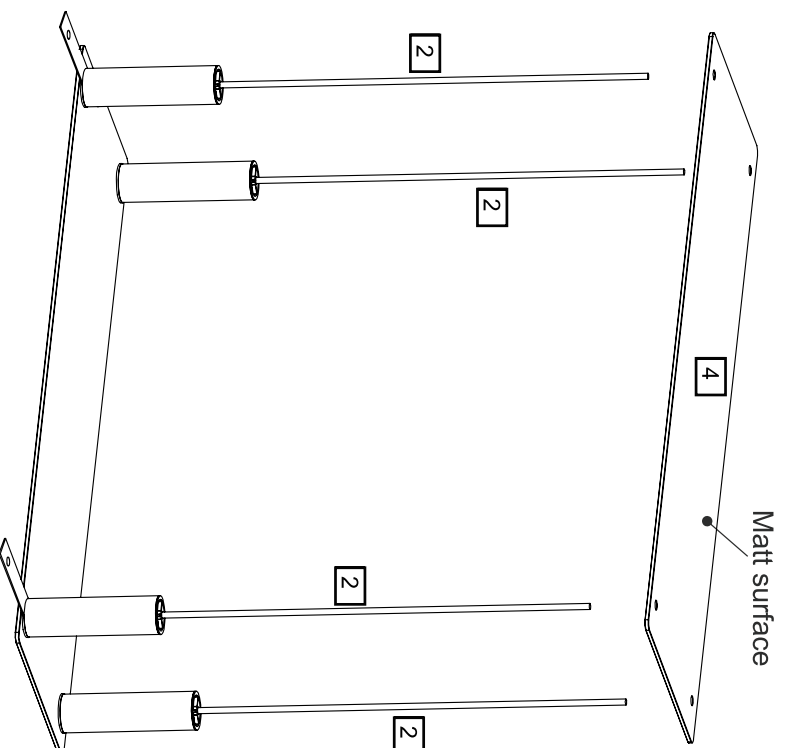
Attach 4 pcs of metal tubes [3] and 4 pcs of plastic pad [8] through 4 pcs of metal rods [2] as shown.



## Step 4

### Attaching Glass Shelf

Please be careful to place glass shelf [4] through 4 pcs of metal rods [2] as shown.

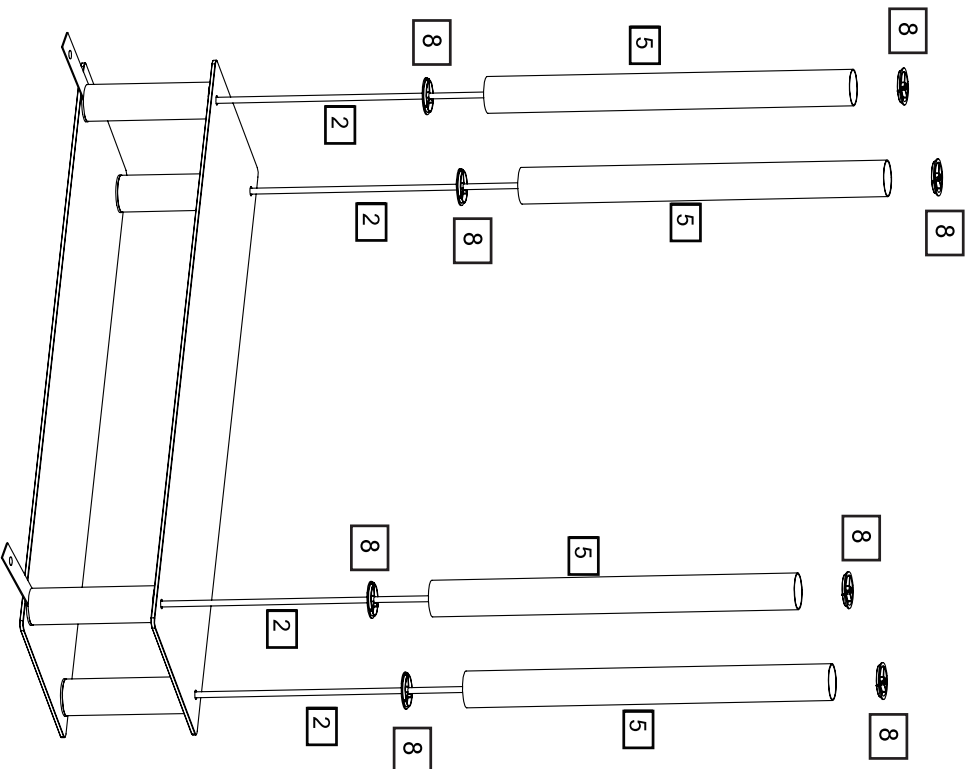


# Assembly Instructions

## Step 5

### Fitting Metal Tube

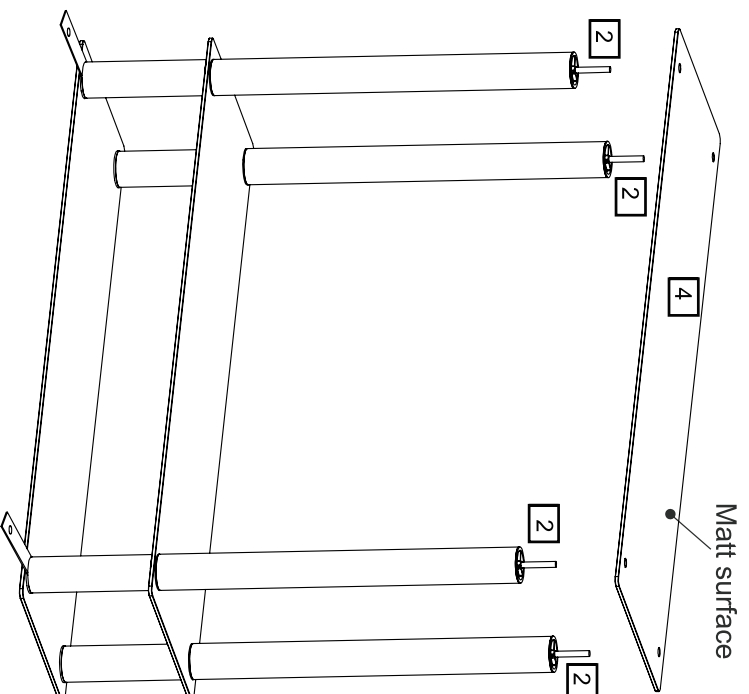
Attach 4 pcs of metal tubes [5] and 8 pcs of plastic pad [8] and 8 pcs of metal rods [8] through 4 pcs of metal rods [2] as shown.



## Step 6

### Attaching Glass Shelf

Please be careful to place glass shelf [4] through 4 pcs of metal rods [2] as shown.

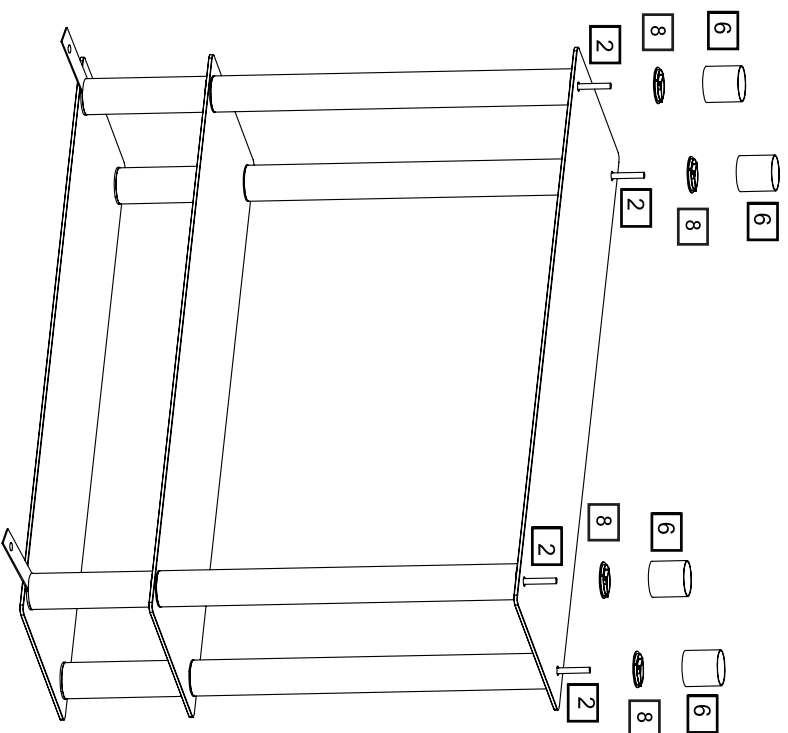


# Assembly Instructions

## Step 7

### Fitting Cap

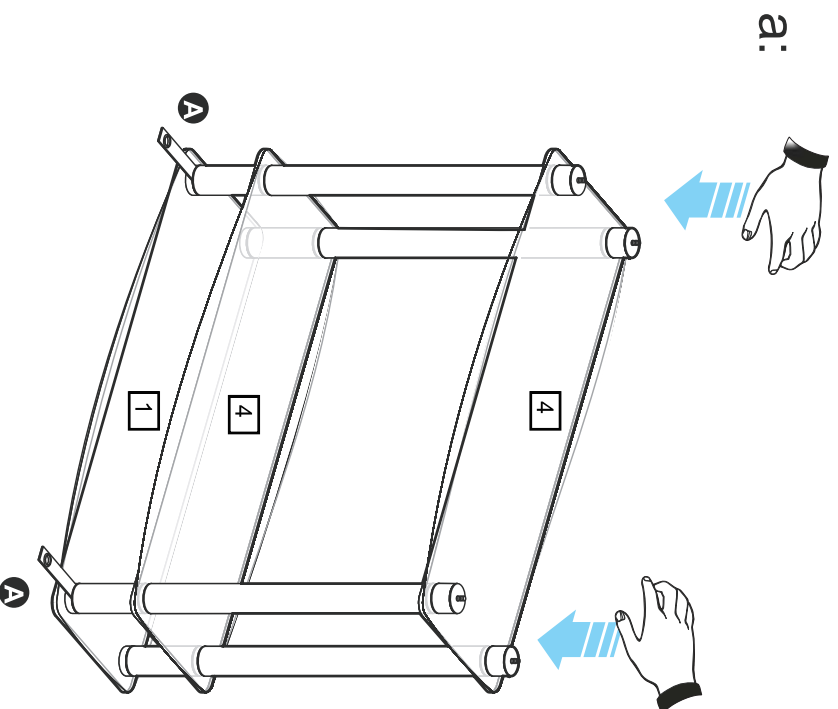
Attach 4 pcs of metal tubes [6] and 4 pcs of plastic pad [8] through 4 pcs of metal rods [2] as shown.



## Step 8

### Fitting glass shelf in position

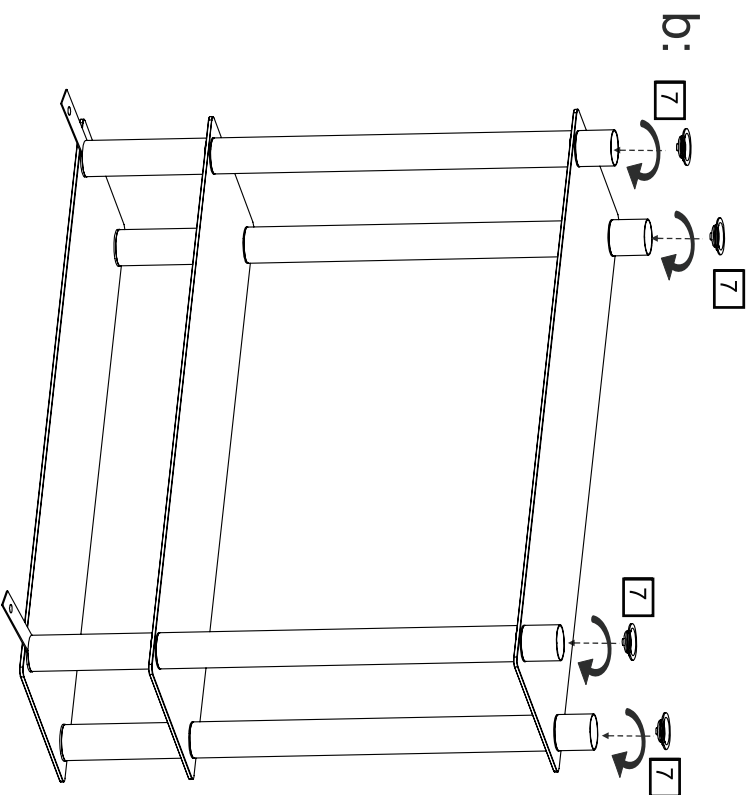
a: Push two sides of glass [4] down.



# Assembly Instructions

## Step 8-continued

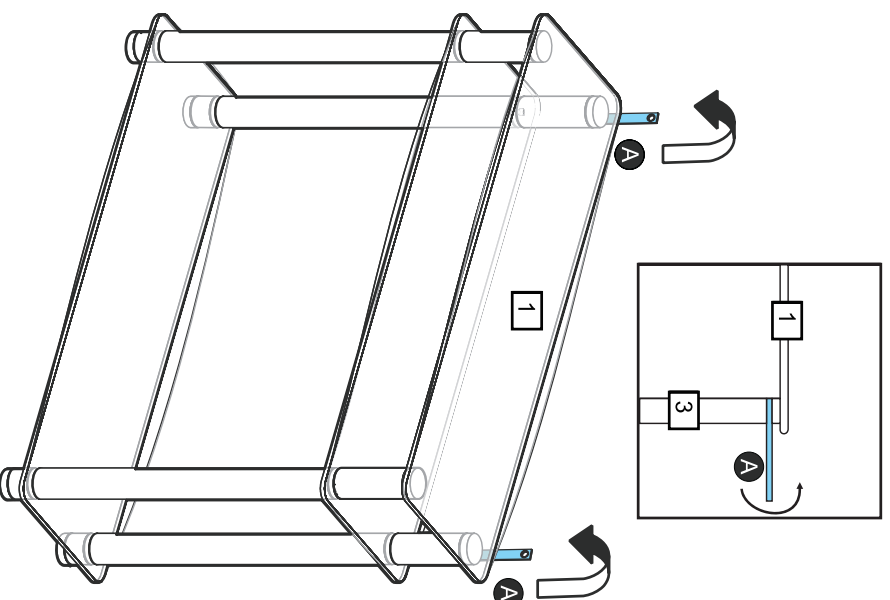
b: Finger tighten 4 pcs of feet **7** onto metal rods **2** as shown.



## Step 9

### Adjust Wall strap

Straighten up the wall straps **A** as shown.



# Assembly Instructions

## Step 10

### Fixing to wall

It is recommended that the unit is fixed to a wall.

Fix wall strap to top of the unit by using screw.

With help, move the unit into position.



**Warning:**  
The unit is heavy.  
Lift with care.

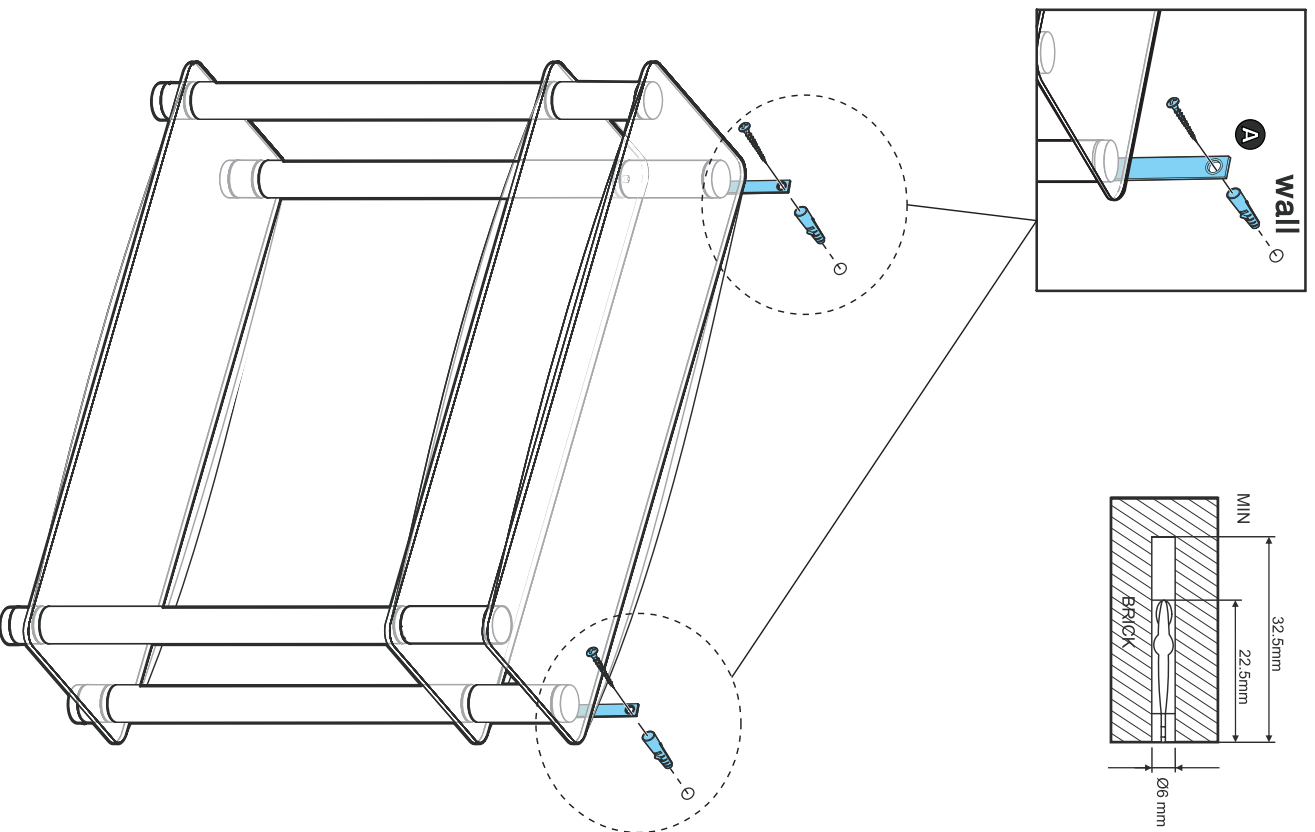
Mark fixing hole on wall and remove the unit.

Drill 6mm hole and insert wall plug.



**Warning:**  
Before drilling, check wall for hidden pipes and cables.

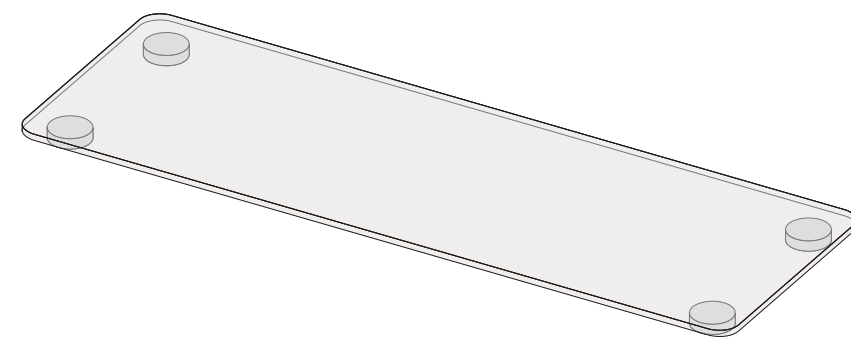
Reposition the unit and fix wall strap by using screw.



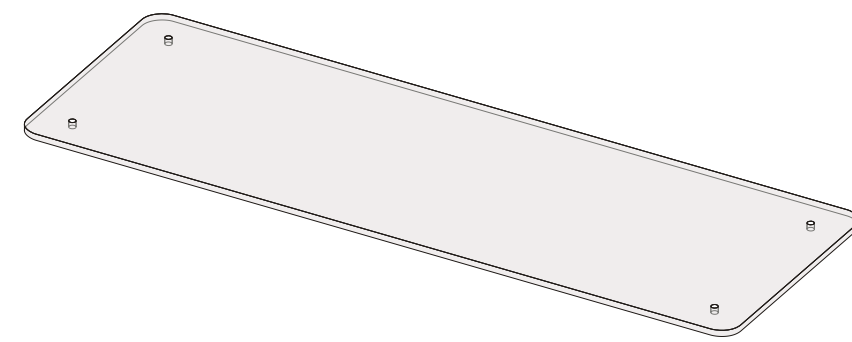
If you need help or have damaged or missing parts, call the Customer Helpline: 08456 400800



# Components



**A** Top Glass Shelf x 1



**D** Glass Shelf x 2



**B** Metal Rail x 4



**C** Metal Tube x 4



**E** Metal Tube x 4



**F** Metal Tube x 4



**G** Feet x 4

# Assembly Instructions

## Stage 1 - Fitting Metal Rail B & Metal Tube C

fig 1

Finger tighten 4 pcs of Metal Rails **B** onto Section **A** as shown.

fig 1

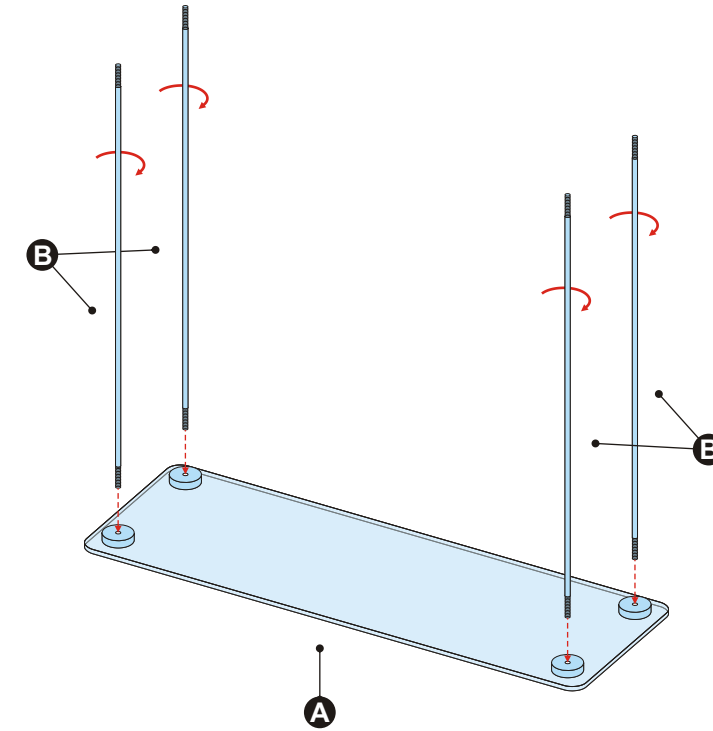
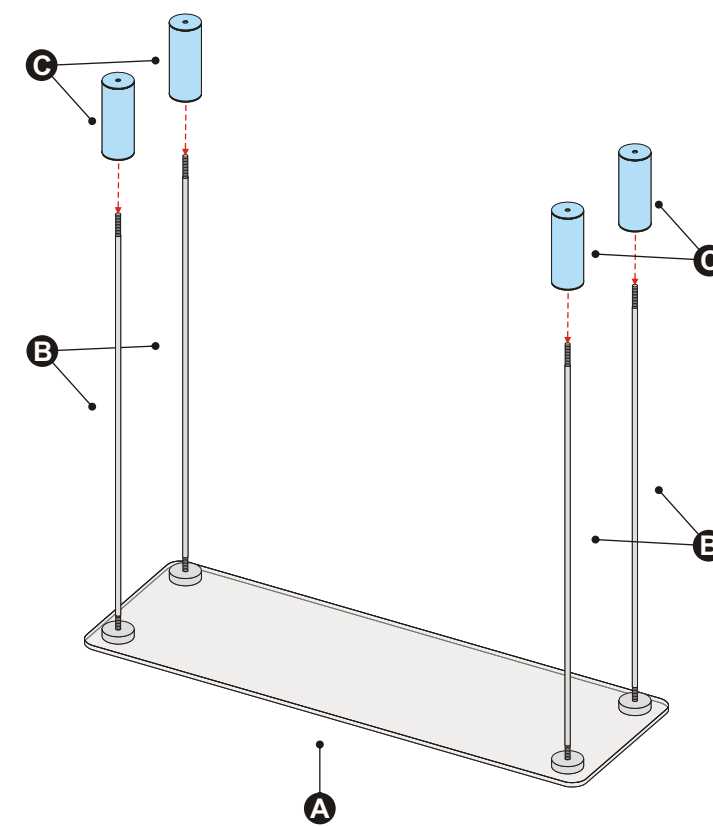


fig 2

Attach 4 pcs of Metal Tubes **C** through 4 pcs of Metal Rails **B** as shown.

fig 2



# Assembly Instructions

## Stage 2 - Fitting Glass Shelf D and Metal Tube E

fig 3

Please be careful to place Glass Shelf **D** through 4 pcs of Metal Rails **B** as shown.

fig 3

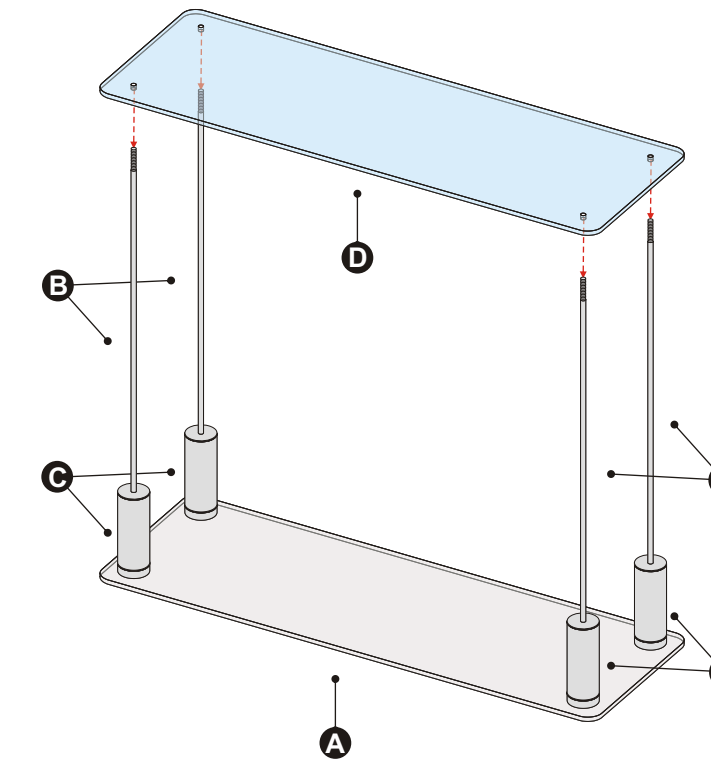
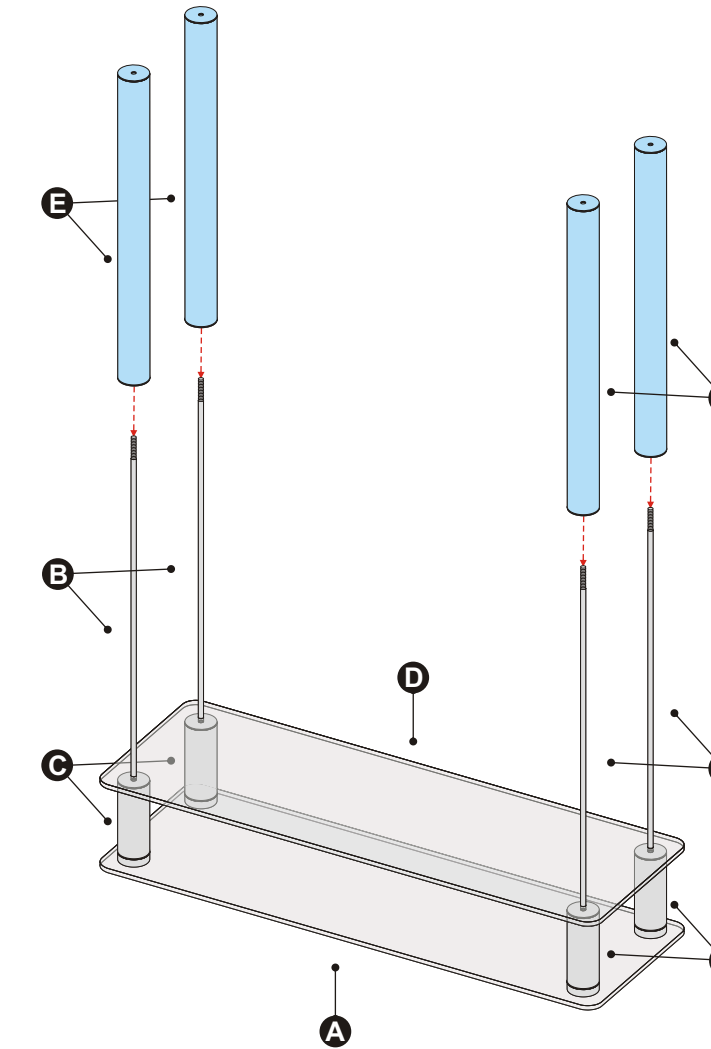


fig 4

Attach 4 pcs of Metal Tubes **E** through 4 pcs of Metal Rails **B** as shown.

fig 4



# Assembly Instructions

## Stage 3 - Fitting Glass Shelf D and Metal Tube F

fig 5

Please be careful to place Glass Shelf D through 4 pcs of Metal Rails B as shown.

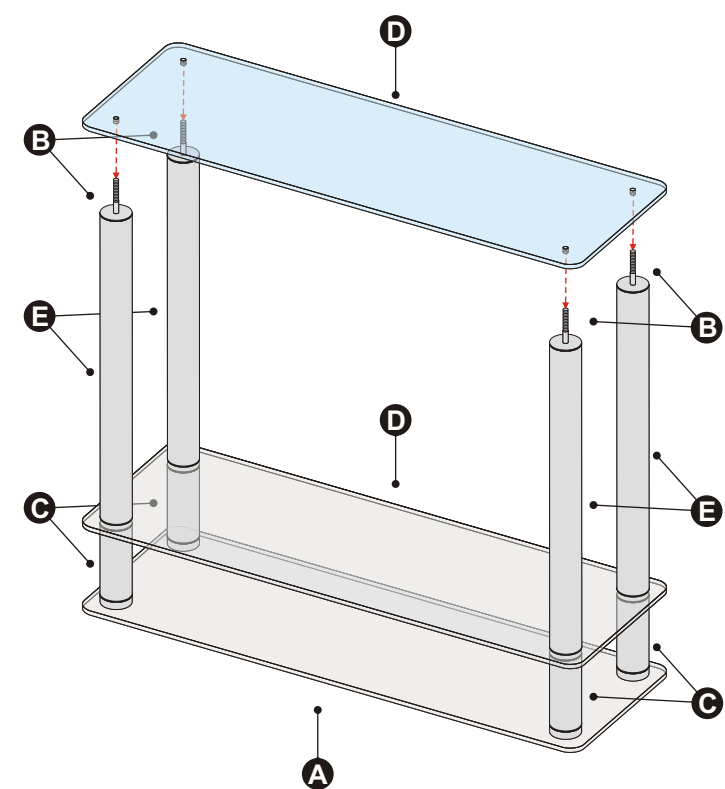
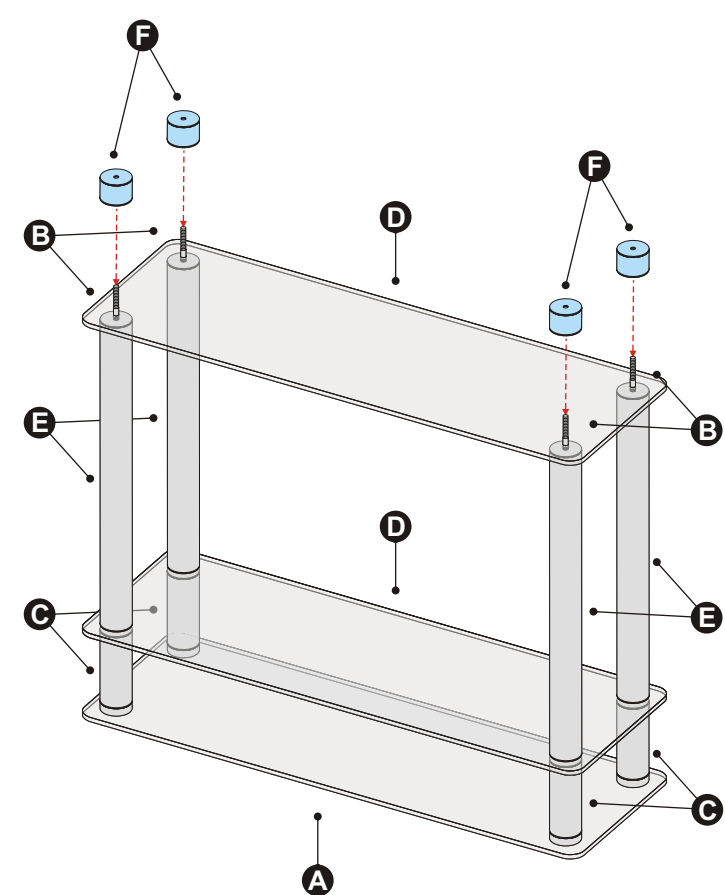


fig 6

Attach 4 pcs of Metal Tubes F through 4 pcs of Metal Rails B as shown.



# Assembly Instructions

## Stage 4 - Fitting Feet G

fig 7

Finger tighten 4 pcs of Feet G onto Metal Rails B as shown.

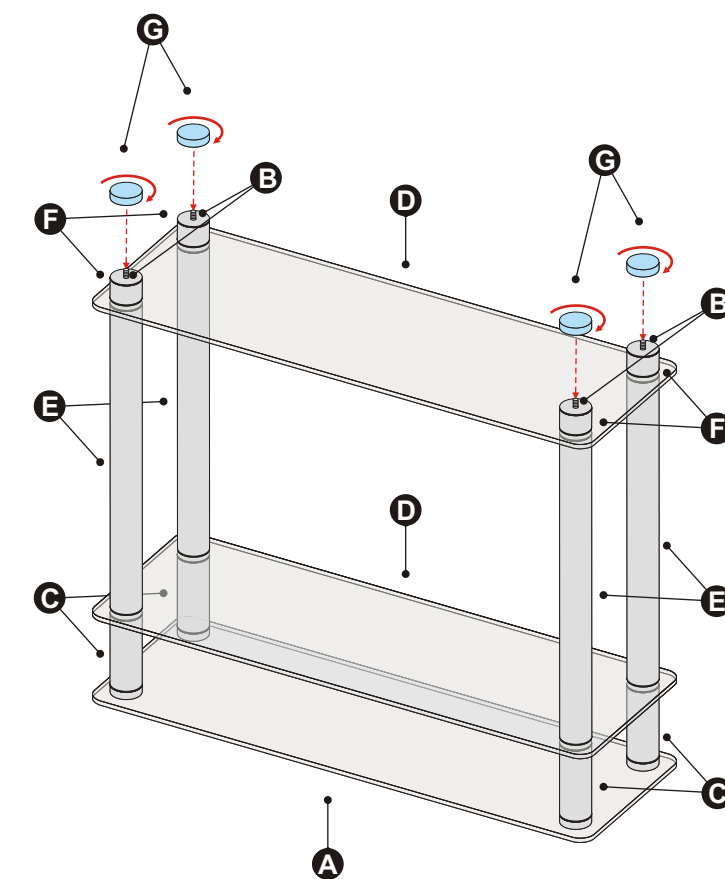
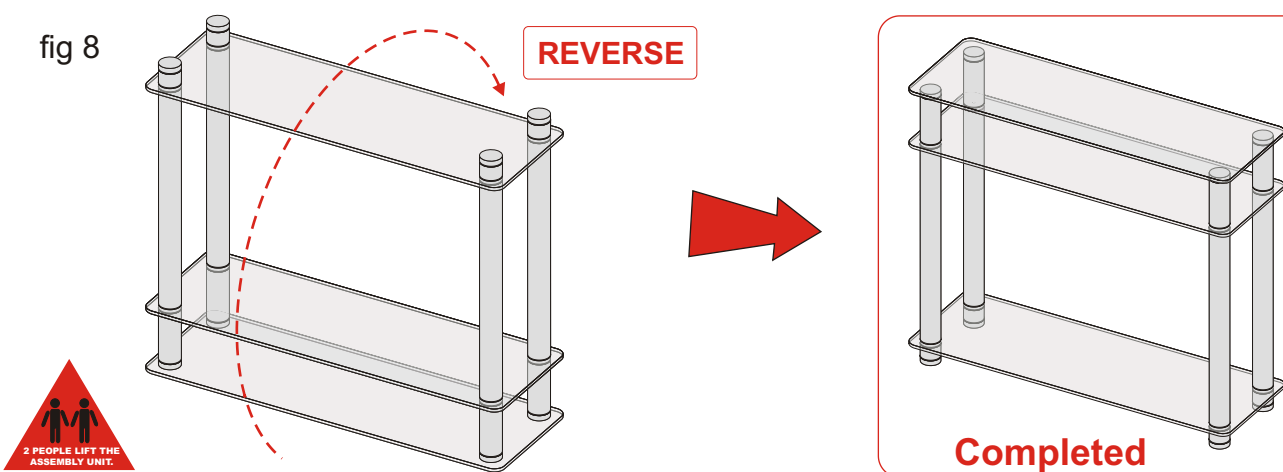


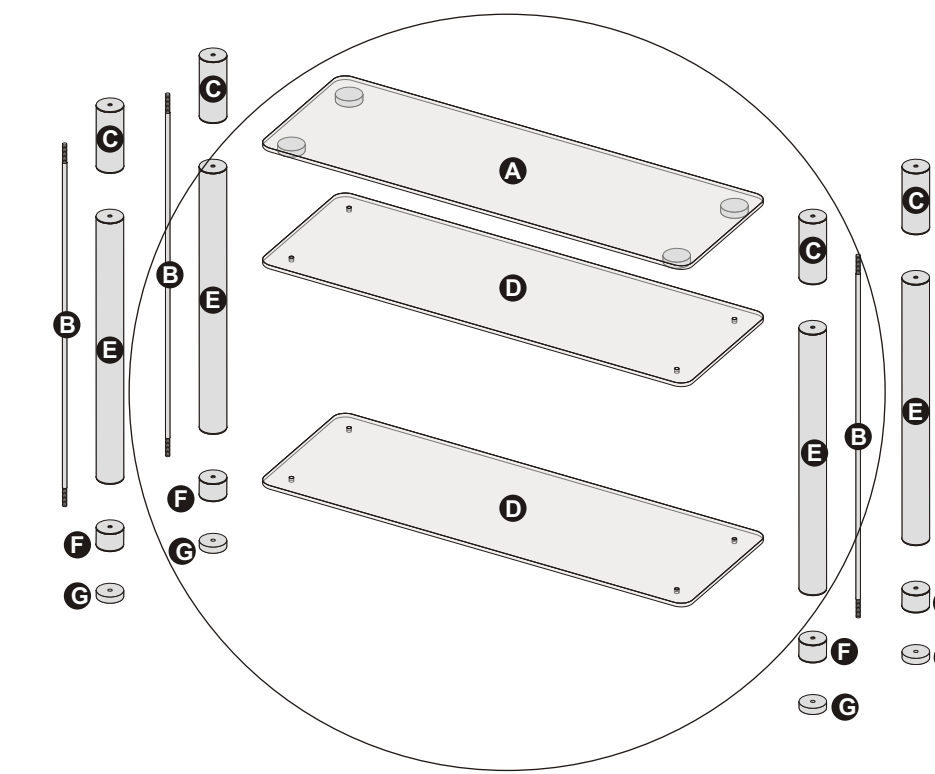
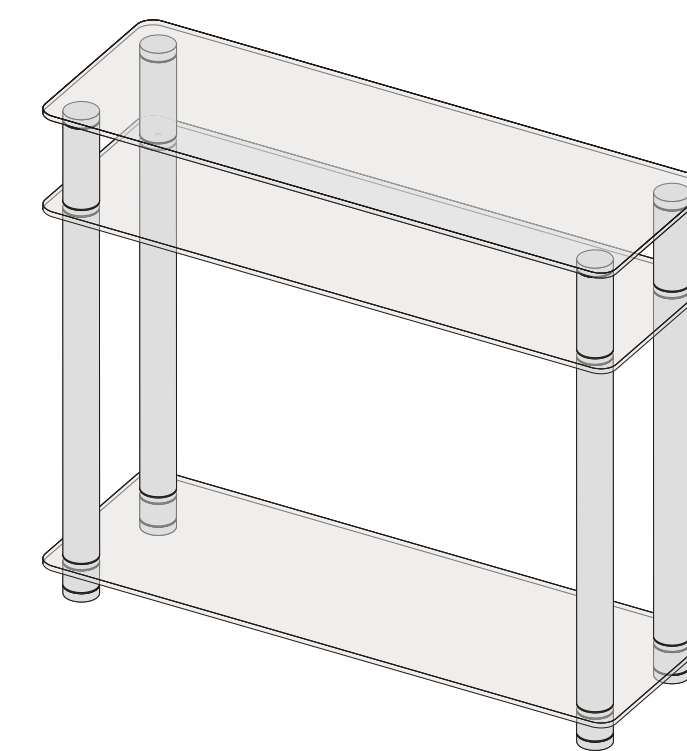
fig 8

Please check carefully if all parts are tighten before turn the unit over.

fig 8



# MATRIX CONSOLE TABLE



## SAFETY WARNING INFORMATION

Keep these instructions for future use:

### IMPORTANT

1. Read these instructions carefully and familiarise yourself with the procedures before assembling the unit.
2. Check that you have all the component parts. Follow the list on the back cover and familiarise yourself with each part before proceeding.
3. Take all the fittings out of the plastic bag and separate them into their groups.
4. Ensure you have enough space to lay out all parts before assembly.
5. To avoid scratches. It is recommended that you assemble the unit on a soft leveled surface.

### WARNINGS

- Do not place very hot or cold items on the glass surface(s) unless adequately thick table mats are used to prevent such items from coming into contact with the glass.
- Do not sit or stand upon the glass surface(s).
- Do not use the glass as a chopping surface. Do not strike the glass with hard or pointed items.
- When cleaning glass panels use a damp cloth or leather with washing up liquid or soft soap if necessary; do not use washing powders or any other substances containing abrasives since these substances scratch glass.

Marking BS 7376:2004 on or in relation to a product represents a manufacturer's declaration of conformity, i.e. a claim by or on behalf of the manufacturer that the product meets the requirements of the standard. The accuracy of the claim is therefore solely the responsibility of the person making the claim. Such a declaration is not to be confused with third party certification of conformity, which may also be desirable.

## Care and Maintenance

### Cleaning

Clean all surfaces with a damp cloth and mild detergent. Please do not use bleach or abrasive products.

### Fitting

From time to time check to ensure the screws and legs remain rigid.

## Instructions for BS 7376 : 2004 for products (tables or trolleys) which include glass

Catalogue Number: 6090454(Clear Glass) / 6090739(Black Glass)

Batch Number / Date of Manufacture: September 2007  
Retailer: Argos  
Retailer address: 489-499 Avebury Boulevard  
Saxon Gate West  
Central Milton Keynes  
MK9 2NW

If the glass is chipped or broken, stop using the product and consult the manufacturer or supplier

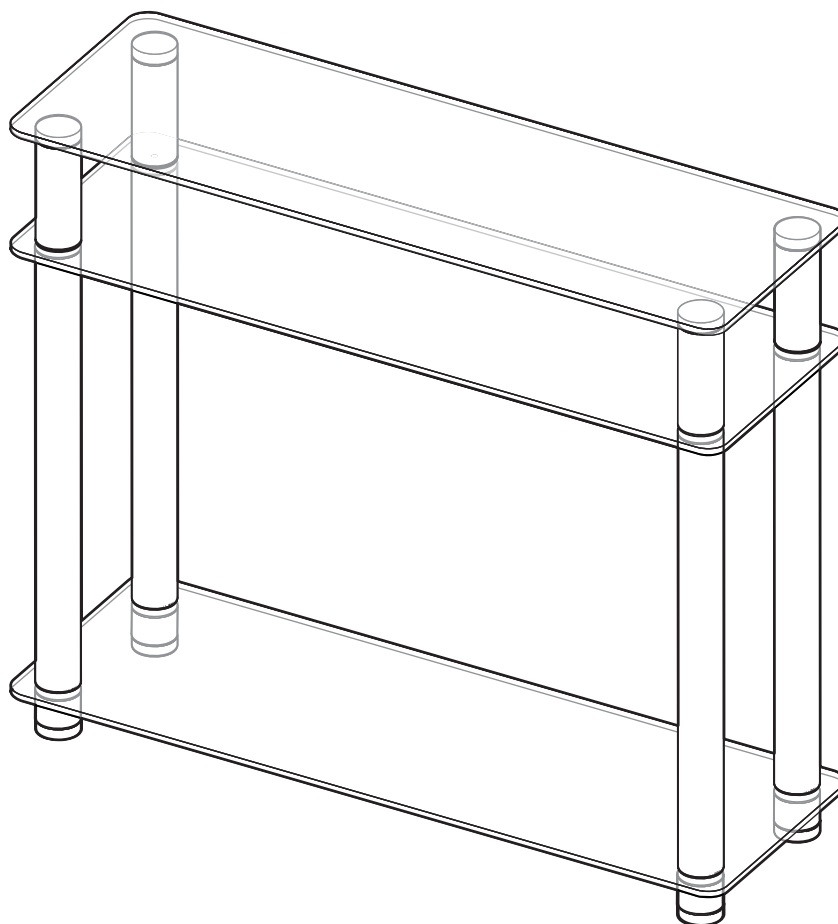


# Matrix -Metal / Glass Consol Table

Assembly Instructions - Please keep for future reference

609/0739

609/0454



## Dimensions

Width - 90cm

Depth - 30cm

Height - 76cm

**Important** - Please read these instruction fully before starting assembly

If you need help or have damaged or missing parts, call the **Customer Helpline: 08456 400800**



# Safety and Care Advice

**Important** - Please read these instructions fully before starting assembly

- Check you have all the components and tools listed on pages 2 and 3.
- Remove all fittings from the plastic bags and separate them into their groups.
- Keep children and animals away from the work area, small parts could choke if swallowed.
- Make sure you have enough space to layout the parts before starting.

- Do not stand on the product, this could cause damage.
- Assemble the item as close to its final position (in the same room) as possible.
- Assemble on a soft level surface to avoid damaging the unit or your floor.
- Parts of the assembly will be easier with 2 people.



- We do not recommend the use of power drill/drivers **for inserting screws**, as this could damage the unit. Only use hand screwdrivers.
- Dispose of all packaging carefully and responsibly.

## Care and maintenance

- Only clean using a damp cloth and mild detergent, do not use bleach or abrasive cleaners.
- From time to time check that there are no loose screws on this unit.
- This product should not be discarded with household waste. Take to your local authority waste disposal centre.

## Keep These Instructions For Future Reference

- This product complies with BS EN 14749:2005
- Argos plc  
489-499 Avebury Boulevard  
Central Milton Keynes  
MK9 2NW
- Batch No./Date of manufacture:

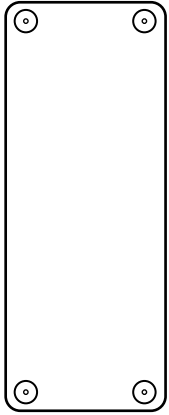
## Warning

- Do not place very hot or very cold items against or in close proximity to glass surfaces unless an adequately thick insulating material is used to prevent such items from coming into contact with the glass.
- Do not sit or stand upon the glass surface(s).
- If a glass component is chipped or broken, stop using the product and consult the manufacturer or supplier.
- Do not use the glass as a chopping surface. Do not strike the glass with hard or pointed items.

**Note:** if required the next page can be cut out and used as reference throughout the assembly. Keep this page with these instructions for future reference.

# Components - Panels

Please check you have all the panels listed below



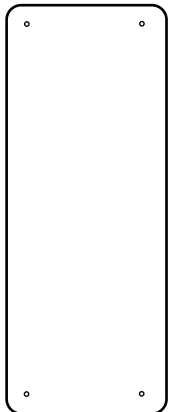
**1** Glass top x 1  
(90 x 30cm)



**2** Metal rod x 4  
(75 x 0.8cm)



**3** Metal tube x 4  
(5.08 x 12.8cm)



**4** Glass shelf x 2  
(90 x 30cm)



**5** Metal tube x 4  
(5.08 x 54.5cm)



**6** Metal tube x 4  
(5.08 x 3.3cm)



**7** Feet x 4  
(5.3 x 1.2cm)



# Components - Fittings

If you have damaged or missing components, call the **Customer Helpline: 08456 400800**

Please check you have all the fittings listed below

**Note:** The quantities below are the correct amount to complete the assembly. In some cases more fittings may be supplied than are required.

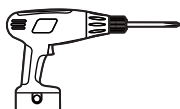


Wall mounting strap x 2

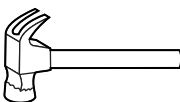
## Tools required



Screwdriver  
(not included)

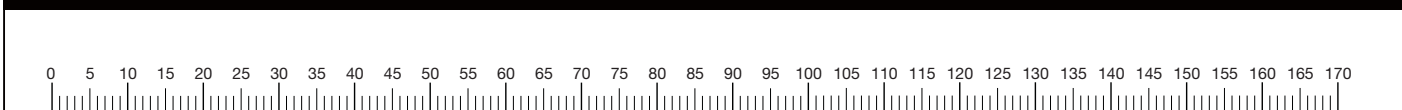


Drill  
(not included)



Hammer  
(not included)

Ruler - Use this ruler to help correctly identify the screws

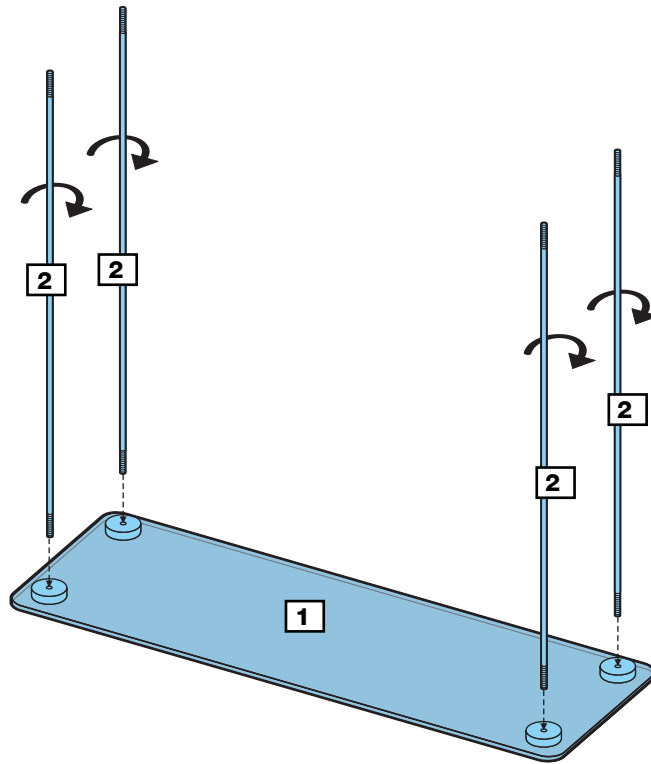


# Assembly Instructions

## Step 1

### Fitting Metal Rod

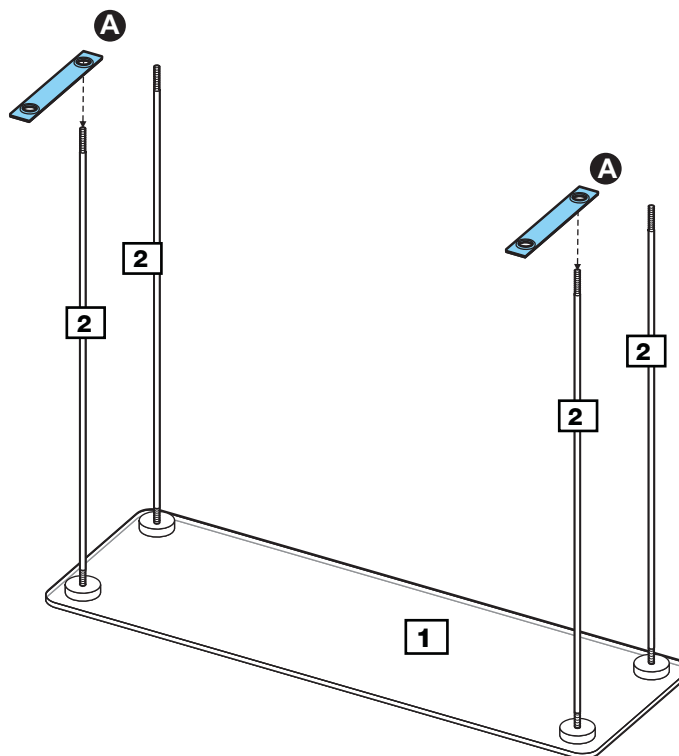
Finger tighten 4 pcs of metal rods **2** onto glass top **1** as shown.



## Step 2

### Fitting Wall Straps

Put 2 pcs of wall straps **A** through metal rods **2** as shown.

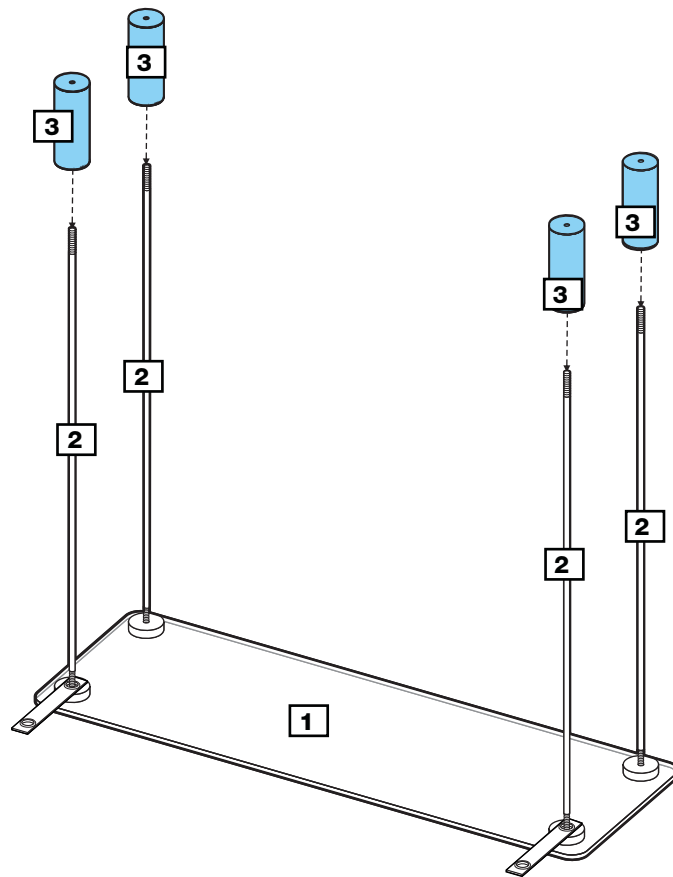


# Assembly Instructions

## Step 3

### Fitting Metal Tube

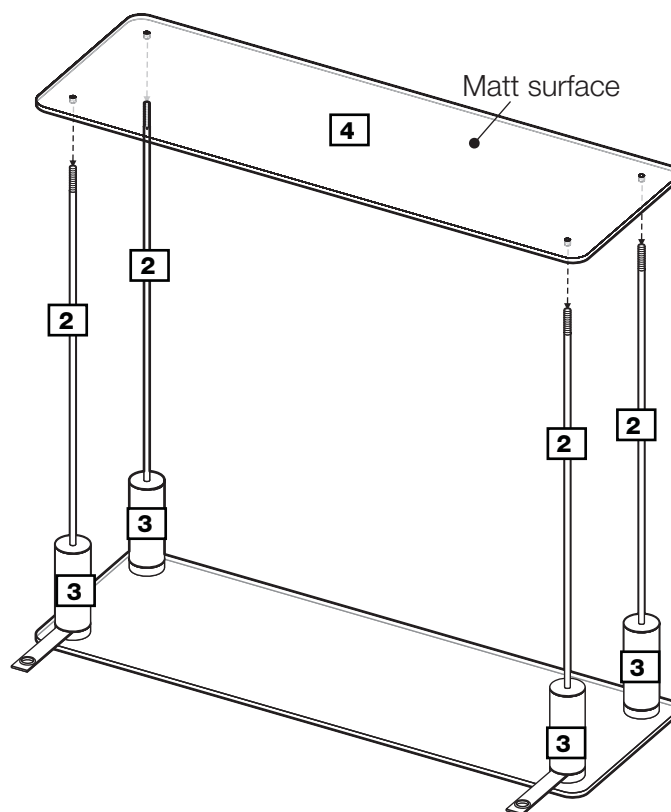
Attach 4 pcs of metal tubes **3** through 4 pcs of metal rods **2** as shown.



## Step 4

### Attaching Glass Shelf

Please be careful to place glass shelf **4** through 4 pcs of metal rods **2** as shown.

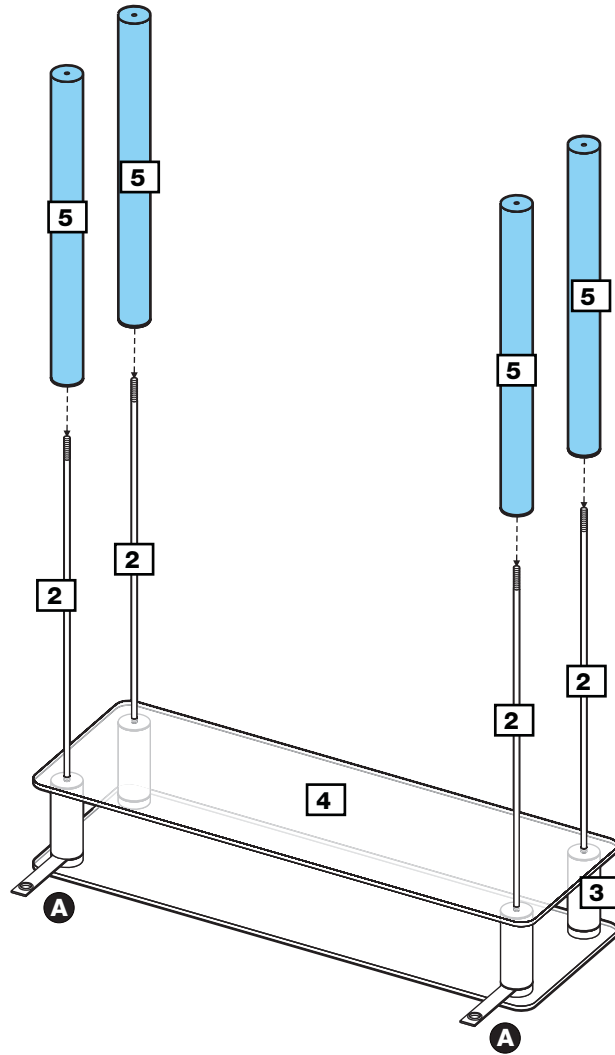


# Assembly Instructions

## Step 5

### Fitting Metal Tube

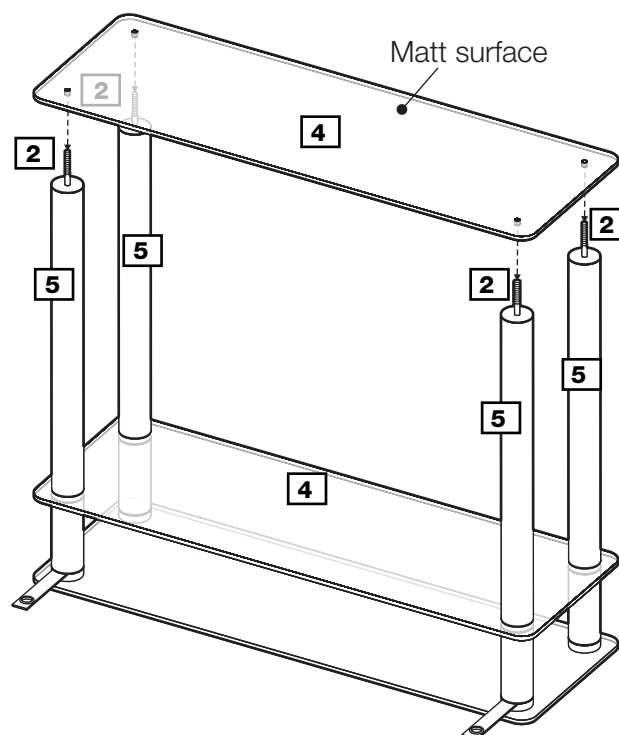
Attach 4 pcs of metal tubes **5** through 4 pcs of metal rods **2** as shown.



## Step 6

### Attaching Glass Shelf

Please be careful to place glass shelf **4** through 4 pcs of metal rods **2** as shown.

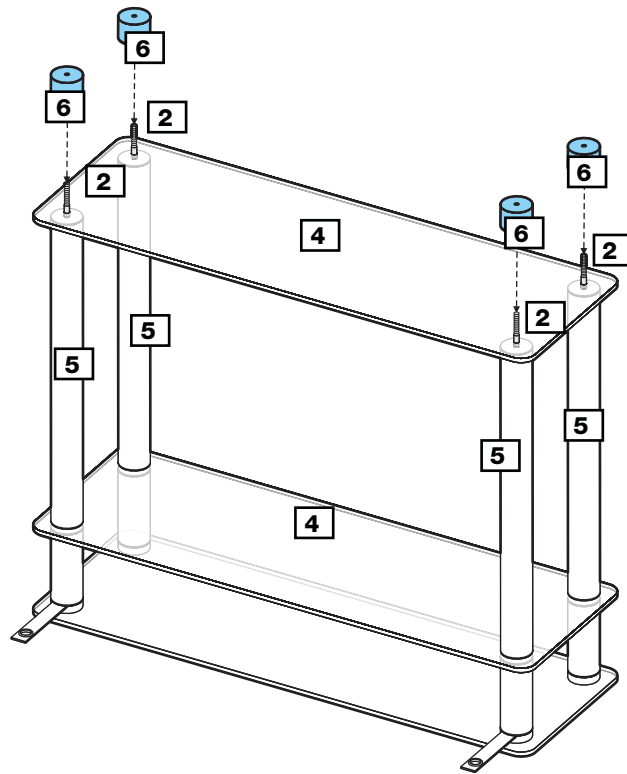


# Assembly Instructions

## Step 7

### Fitting Cap

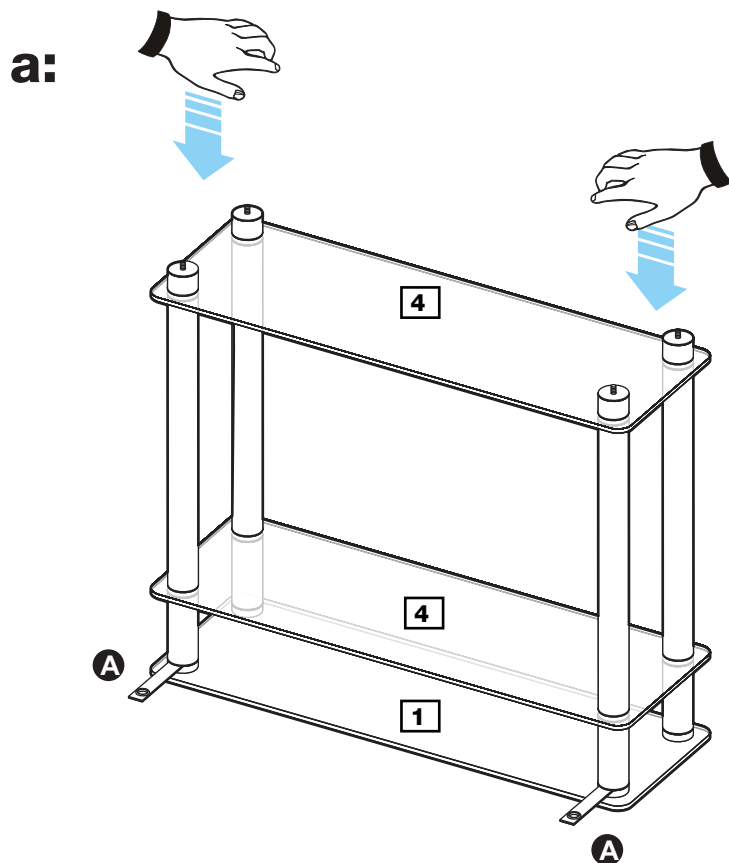
Attach 4 pcs of metal tubes **6** through 4 pcs of metal rods **2** as shown.



## Step 8

### Fitting glass shelf in position

**a:** Push two sides of glass **4** down.



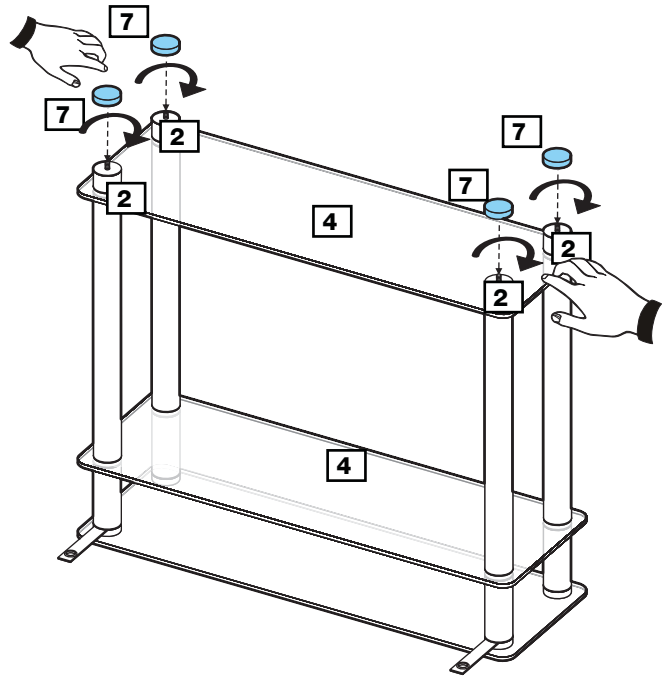


# Assembly Instructions

## Step 8-continued

**b:** Finger tighten 4 pcs of feet **7** onto metal rods **2** as shown.

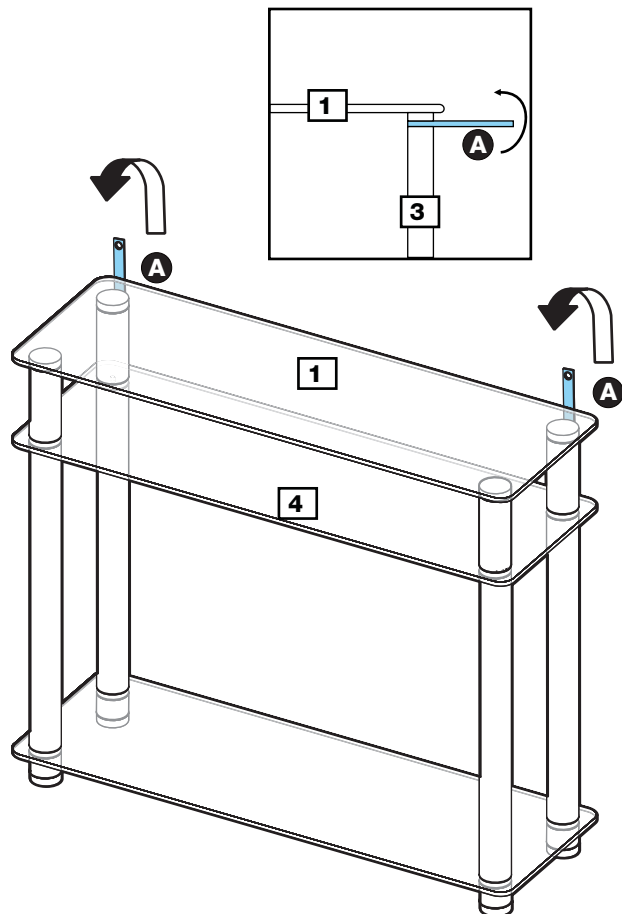
**b:**



## Step 9

### Adjust Wall Strap

Straighten up the wall straps **A** as shown.



# Assembly Instructions

## Step 10

### Fixing to wall

It is recommended that the unit is fixed to a wall.

Fix wall strap to top of the unit by using screw.

With help, move the unit into position.



**Warning:**

The unit is heavy.

**Lift with care.**

Mark fixing hole on wall and remove the unit.

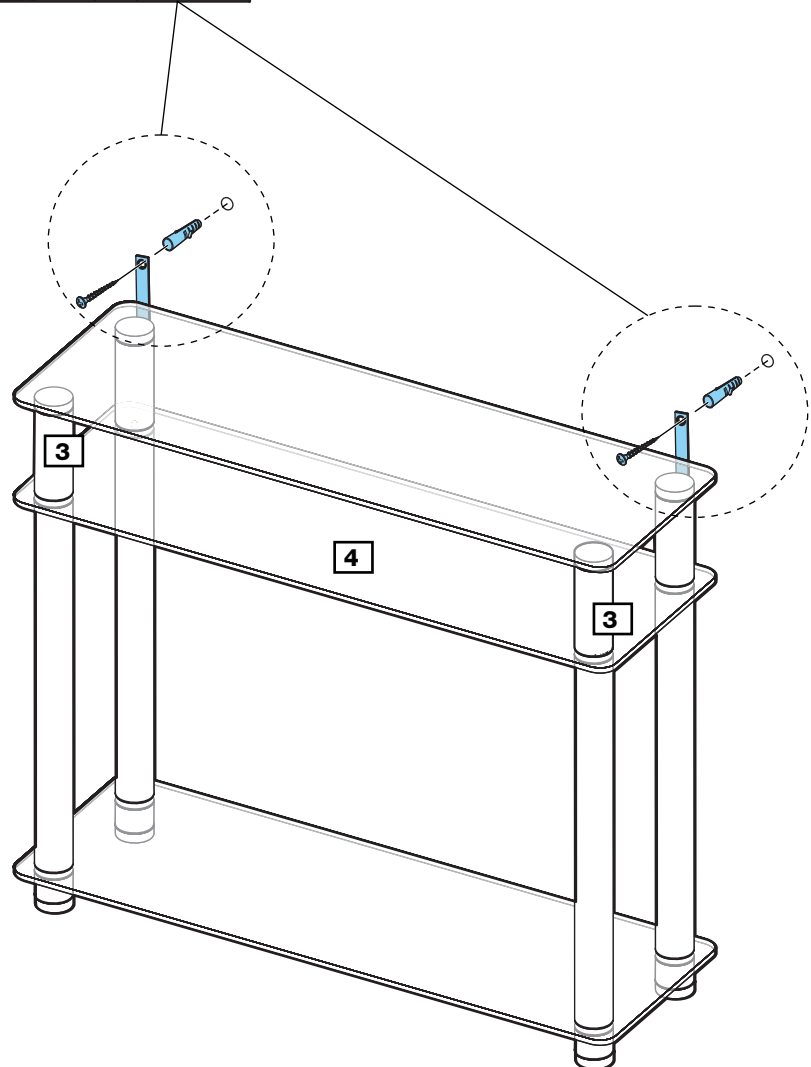
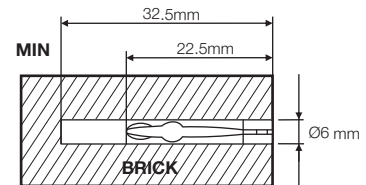
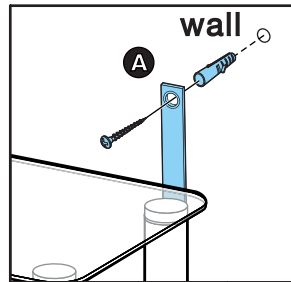
Drill 6mm hole and insert wall plug.



**Warning:**

Before drilling, check wall for hidden pipes and cables.

Reposition the unit and fix wall strap by using screw.



If you need help or have damaged or missing parts, call the Customer Helpline: 08456 400800

# A Guide to - Wall Mounting & Fixings

## Important note:

If plastic wall plugs are supplied with your product:



- these are only suitable for use in masonry walls.

If you are in any doubt about the correct wall plugs for your wall, seek professional advice.


Failure of the product due to using incorrect fixings is the responsibility of the installer.



**Important:** When drilling into walls always check that there are no hidden wires or pipes etc.

Make sure that the screws and wall plugs being used are suitable for supporting your unit. Consult a qualified tradesperson if you are unsure.

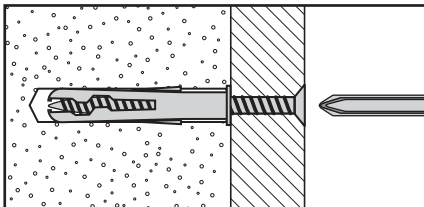
## Hints:

- 1: General rule:**  Always use a larger screw and wall plug if you are not sure.
- 2:** Ensure you use the recommended drill bit to match the wall plug and hole size.
- 3:** Ensure you drill the hole horizontally, do not force the drill or enlarge the hole.
- 4:** Take extra care when drilling high walls, ceilings and ceramic tiles. Ensure wall plugs are inserted beyond the thickness of the ceramic tiles to avoid the tiles splitting or cracking.
- 5:** Ensure wall plugs are well fitted and are a tight fit in the drilled hole.

## Types of walls

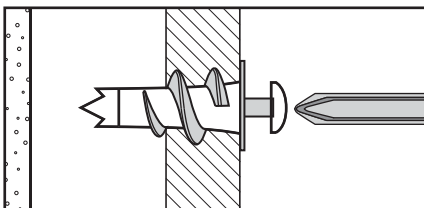
You can use one of the following types of wall plug if your walls are made of brick, breeze block, concrete, stone or wood.

### No.1 "General Purpose" wall plug



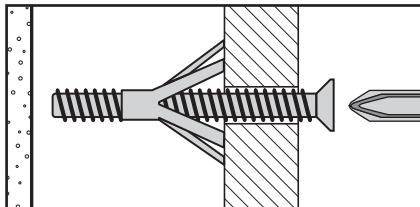
Generally aerated blocks should not be used to support heavy loads, use a specialist fitting in this case. For light loads, general purpose wall plugs can be used.

### No.2 "Plasterboard" wall plug



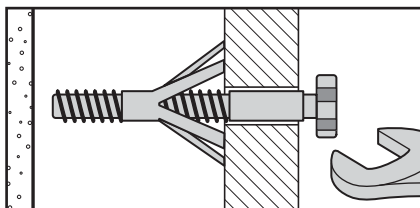
For use when attaching light loads on to plasterboard partitions.

### No.3 "Cavity Fixing" wall plug



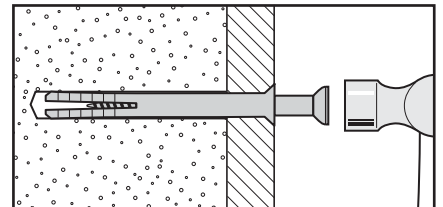
For use with plasterboard partitions or hollow wooden doors.

### No.4 "Cavity Fixing-Heavy Duty" wall plug



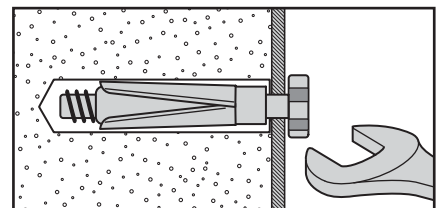
For use when fitting or supporting heavy loads such as shelving, wall cabinets and coat racks.

### No.5 "Hammer Fixing" wall plug



For use with walls stuck with plasterboard. The hammer fixing allows it to be fixed to the wall rather than the plasterboard. Always check the fixing is secure to the retaining wall.

### No.6 "Shield Anchor" wall plug Heavy loads



For use with heavier loads such as TV & HiFi speakers and satellite dishes etc.



## Care & Maintenance

**Safety:** Always check the fitting and location to ensure your safety in and around the home.

**Fitting:** From time to time check the fitting to ensure the wall plugs or screws do not become loose.