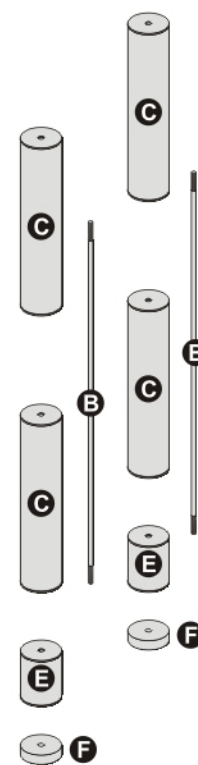
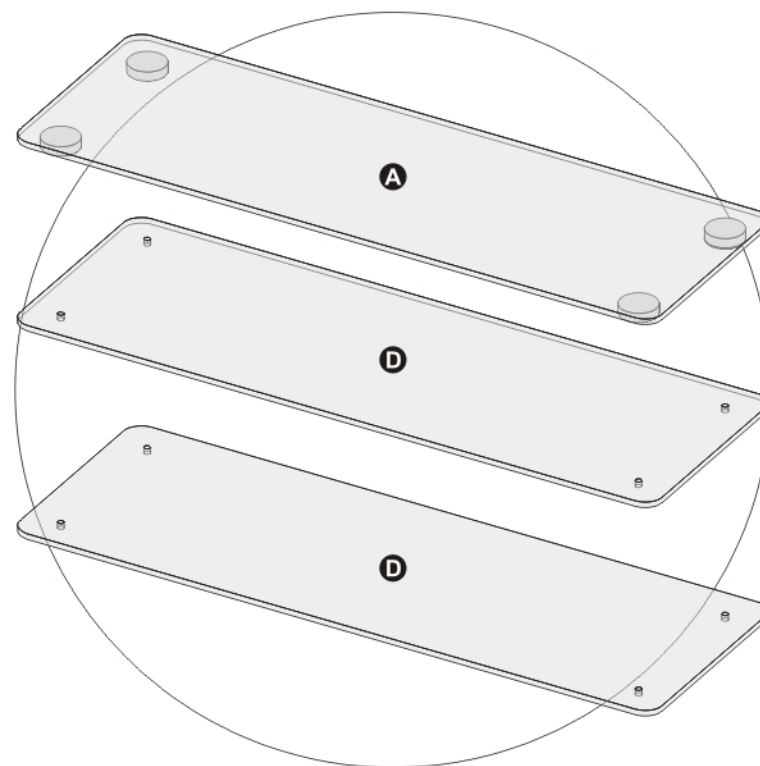
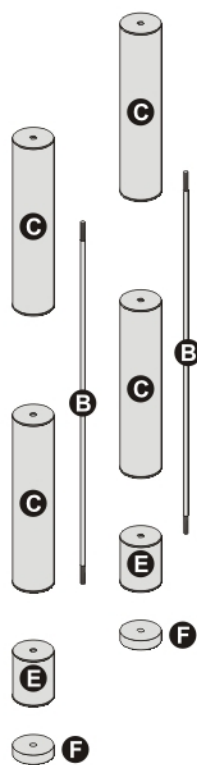
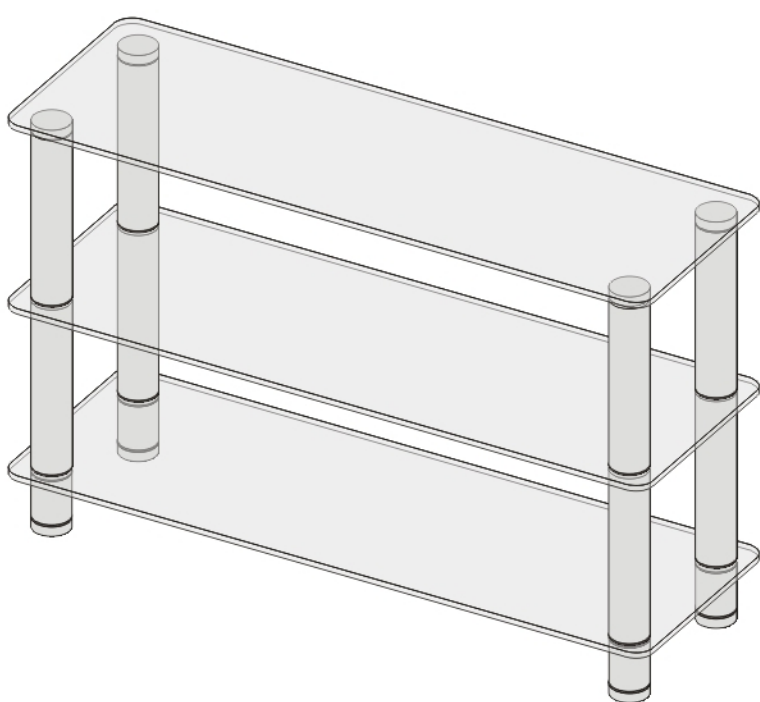


MATRIX STYLE PLASMA SCREEN BENCH

Simplified Assembly Instructions - Please keep for future reference



IMPORTANT

1. Read these instructions carefully and familiarise yourself with the procedures before assembling the unit.
2. Check that you have all the component parts. Follow the list on the back cover and familiarise yourself with each part before proceeding.
3. Take all the fittings out of the plastic bag and separate them into their groups.
4. Ensure you have enough space to lay out all parts before assembly.
5. To avoid scratches. It is recommended that you assemble the unit on a soft leveled surface.

WARNING

- Do not place very hot or cold items on the glass surface(s) unless adequately thick table mats are used to prevent such items from coming into contact with the glass.
- Do not sit or stand upon the glass surface(s).
- Do not use the glass as a chopping surface. Do not strike the glass with hard or pointed items.
- When cleaning glass panels use a damp cloth or leather with washing up liquid or soft soap if necessary: do not use washing powders or any other substances containing abrasives since these substances scratch glass.

Instructions for BS 7376 for products (tables or trolleys) which include glass

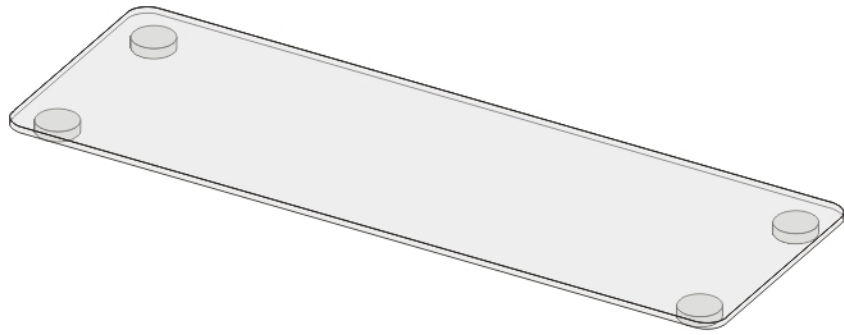
KEEP THESE INSTRUCTIONS FOR FUTURE REFERENCE

BS 7376: 2004
Argos plc
489-499 Avebury Boulevard
Central Milton Keynes
MK9 2NW

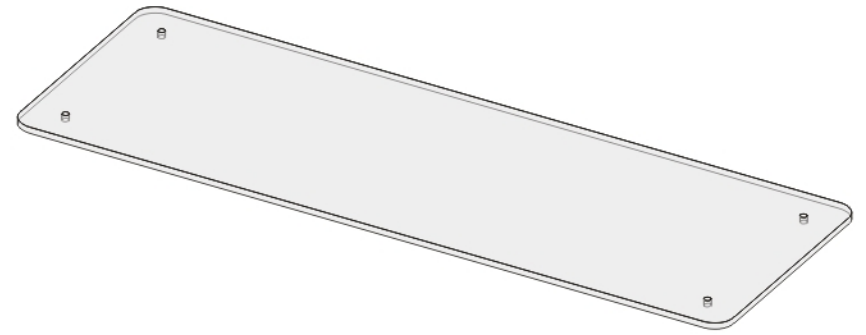
Product Name : **MATRIX STYLE PLASMA SCREEN BENCH 069/0399**
Batch Number :
Date of Manufacture :

If the glass is chipped or broken stop using the product and consult the manufacturer or supplier

Components



A Top Glass Shelf x 1



D Glass Shelf x 2



B Metal Rail x 4



C Metal Tube x 8



E Metal Feet x 4



F Feet Cap x 4

Assembly Instructions

Stage 1 - Fitting Metal Rail B & Metal Tube C

fig 1

Finger tighten 4 pcs of Metal Rails **B** onto Section **A** as shown.

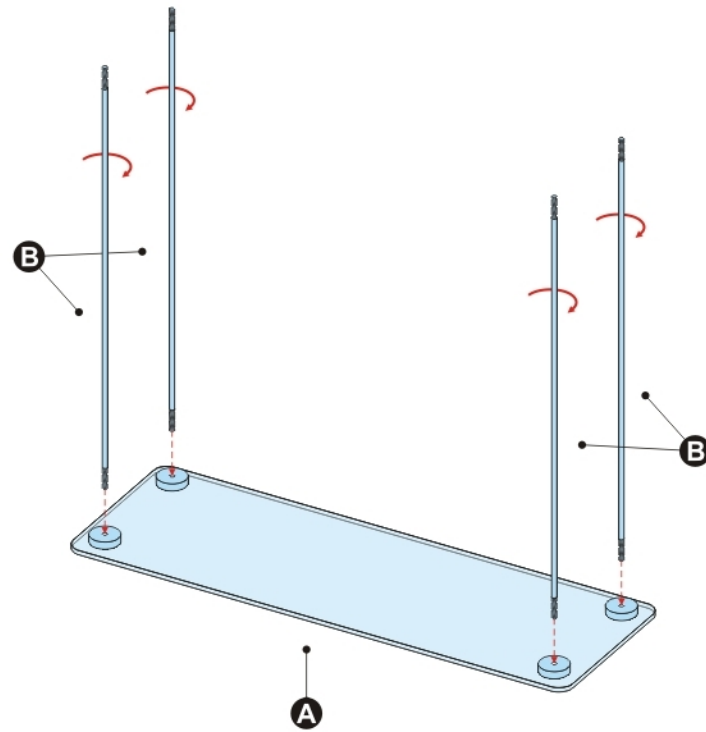


fig 1

fig 2

Attach 4 pcs of Metal Tubes **C** through 4 pcs of Metal Rails **B** as shown.

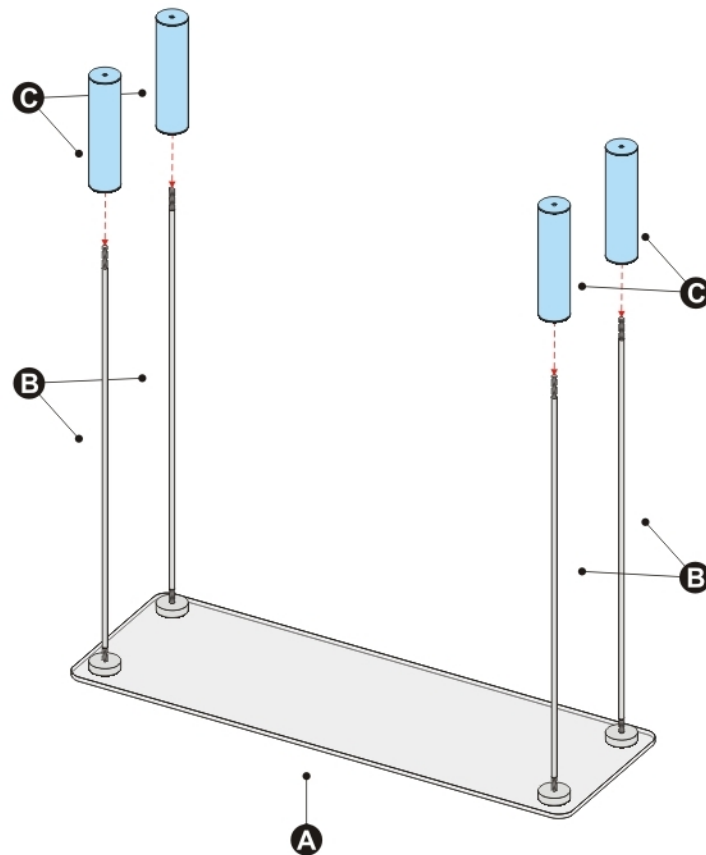


fig 2

Assembly Instructions

Stage 2 - Fitting Metal Tube C and Glass Shelf D

fig 3

Please be careful to place Glass Shelf **D** through 4 pcs of Metal Rails **B** as shown.

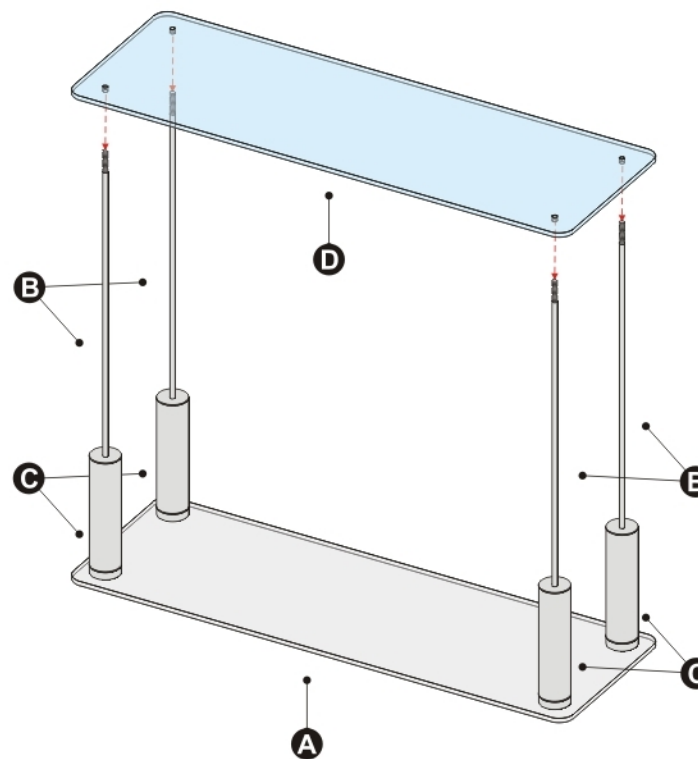
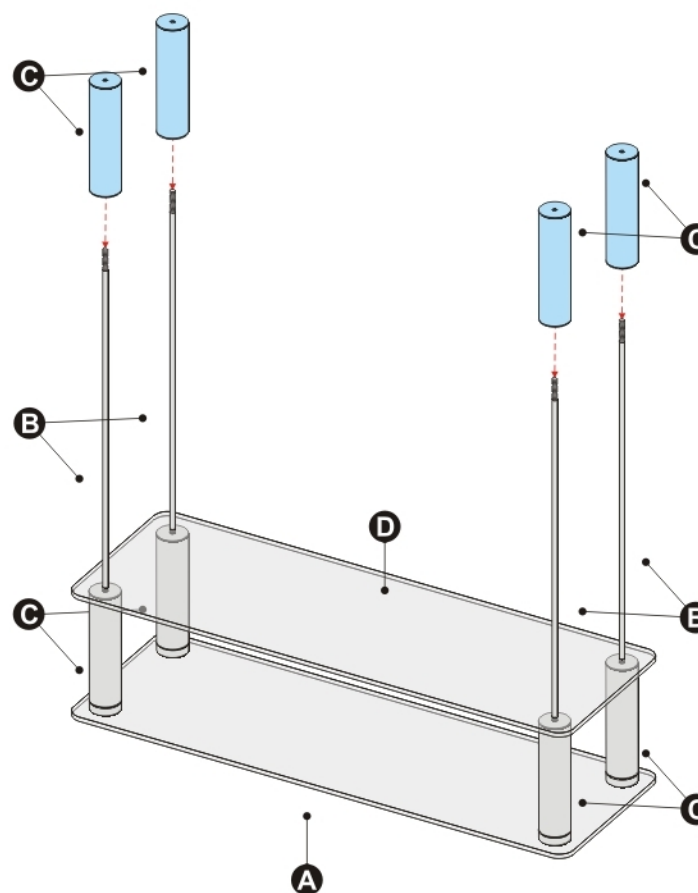


fig 4

Attach 4 pcs of Metal Tubes **C** through 4 pcs of Metal Rails **B** as shown.



Assembly Instructions

Stage 3 - Fitting Glass Shelf D and Metal Feet E

fig 5

Please be careful to place Glass Shelf **D** through 4 pcs of Metal Rails **B** as shown.

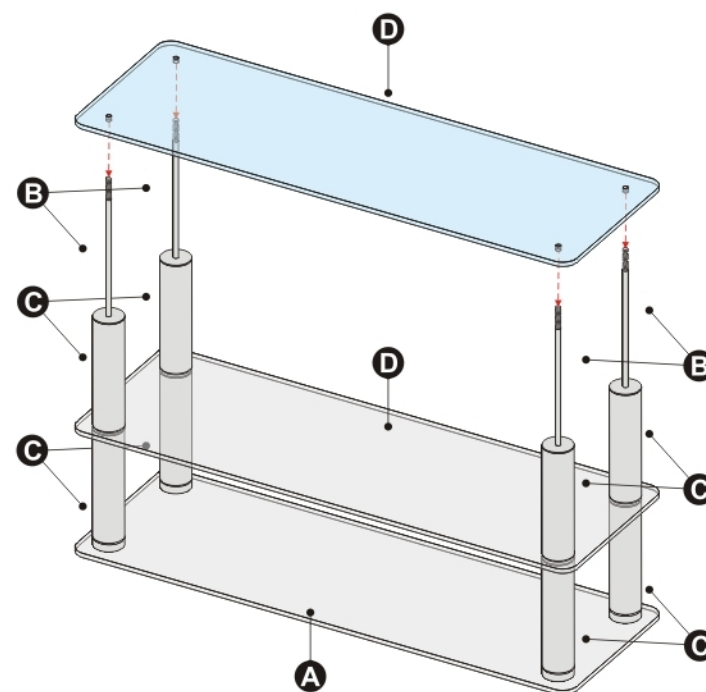


fig 5

fig 6

Attach 4 pcs of Metal Feet **E** through 4 pcs of Metal Rails **B** as shown.

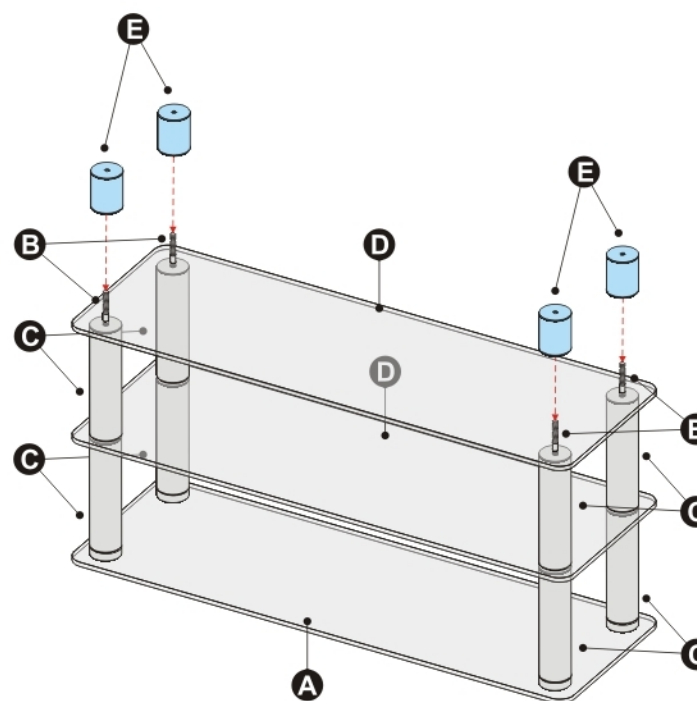


fig 6

Assembly Instructions

Stage 4 - Fitting Feet Cap F

fig 7

Finger tighten 4 pcs of Feet Caps **F** onto Metal Rails **E** as shown.

fig 7

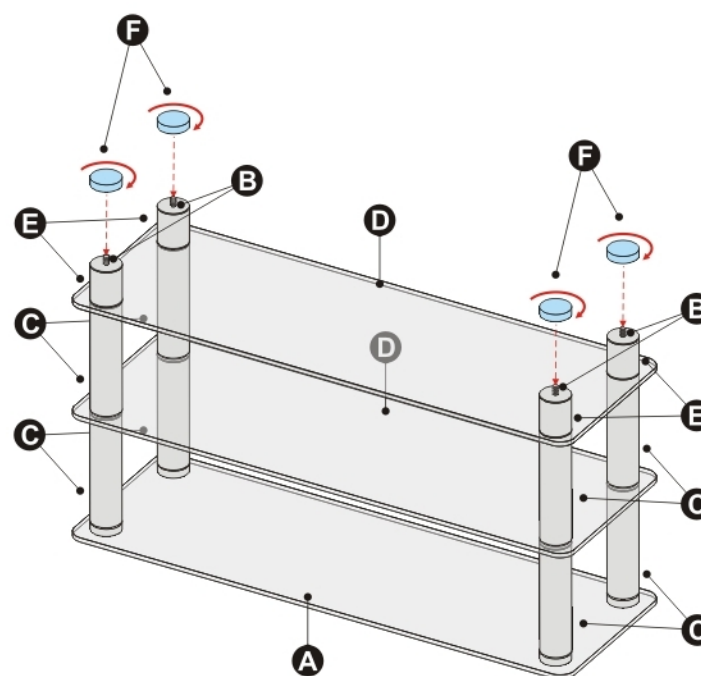
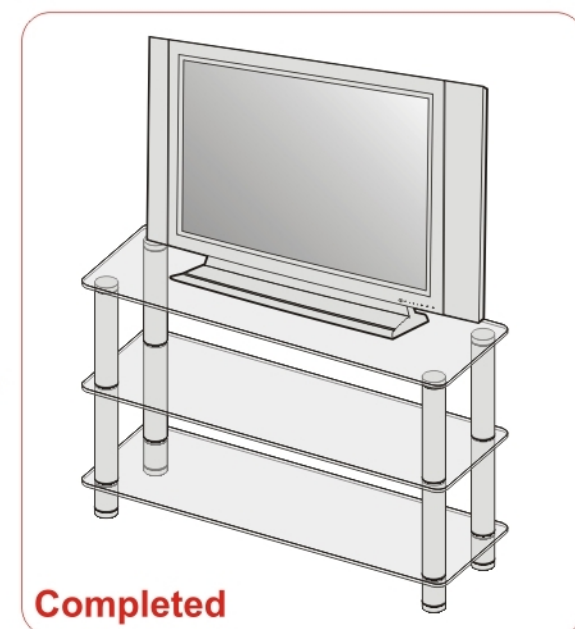
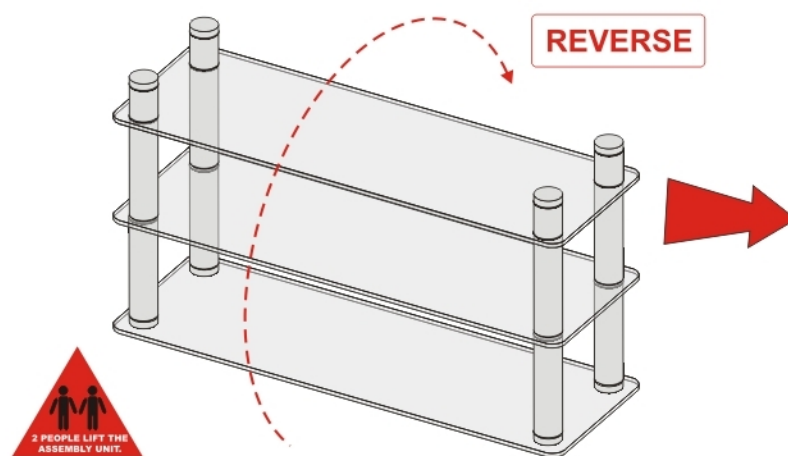


fig 8

Please check carefully if all parts are tighten before turn the unit over.

fig 8

Max load : 150 kgs
Support LCD TV up to 37"
Plasma up to 50"



Care and Maintenance

Cleaning

Clean all surfaces with a damp cloth and mild detergent. Please do not use bleach or abrasive products.

Fitting

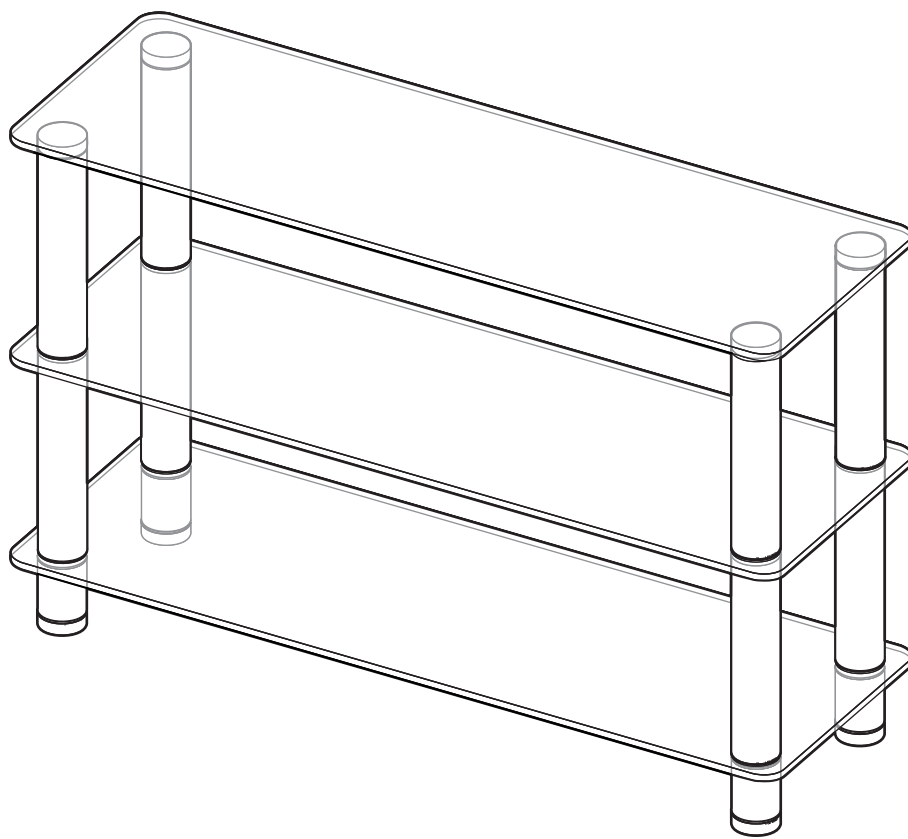
From time to time check to ensure the screws and legs remain rigid.

Matrix - Style Plasma Screen Bench

Assembly Instructions - Please keep for future reference

609/0399

609/0715



Dimensions

Width - 110cm

Depth - 33cm

Height - 50cm

Important - Please read these instruction fully before starting assembly

If you need help or have damaged or missing parts, call the **Customer Helpline: 08456 400800**

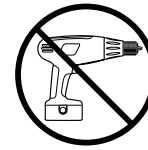


Safety and Care Advice

Important - Please read these instructions fully before starting assembly

- Check you have all the components and tools listed on pages 2
- Remove all fittings from the plastic bags and separate them into their groups.
- Keep children and animals away from the work area, small parts could choke if swallowed.
- Make sure you have enough space to layout the parts before starting.

- Do not stand on the product, this could cause damage.
- Assemble the item as close to its final position (in the same room) as possible.
- Assemble on a soft level surface to avoid damaging the unit or your floor.
- Parts of the assembly will be easier with 2 people.



- We do not recommend the use of power drill/drivers **for inserting screws**, as this could damage the unit. Only use hand screwdrivers.
- Dispose of all packaging carefully and responsibly.

Care and maintenance

- Only clean using a damp cloth and mild detergent, do not use bleach or abrasive cleaners.
- From time to time check that there are no loose screws on this unit.
- This product should not be discarded with household waste. Take to your local authority waste disposal centre.

Keep These Instructions For Future Reference

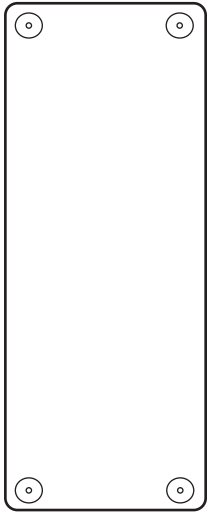
- This product complies with BS EN14749:2005
- Argos plc
489-499 Avebury Boulevard
Central Milton Keynes
MK9 2NW
- Batch No./Date of manufacture:

Warning

- Do not place very hot or very cold items against or in close proximity to glass surfaces unless an adequately thick insulating material is used to prevent such items from coming into contact with the glass.
- Do not sit or stand upon the glass surface(s).
- If a glass component is chipped or broken, stop using the product and consult the manufacturer or supplier.
- Do not use the glass as a chopping surface. Do not strike the glass with hard or pointed items.

Components - Panels

Please check you have all the panels listed below



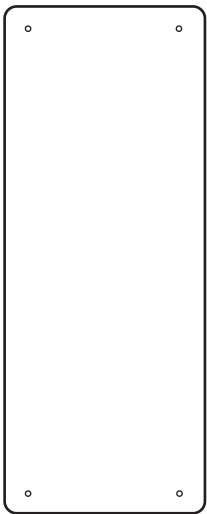
1 Glass top x 1
(110 x 33cm)



2 Metal rod x 4
(48.9 x 0.8 cm)



3 Metal tube x 8
(5.08x 18cm)



4 Glass shelf x 2
(110 x 33 cm)



5 Metal tube x 4
(5.08x 8cm)



6 Feet x 4
(5.3x 1.2cm)

Ruler - Use this ruler to help correctly identify the screws

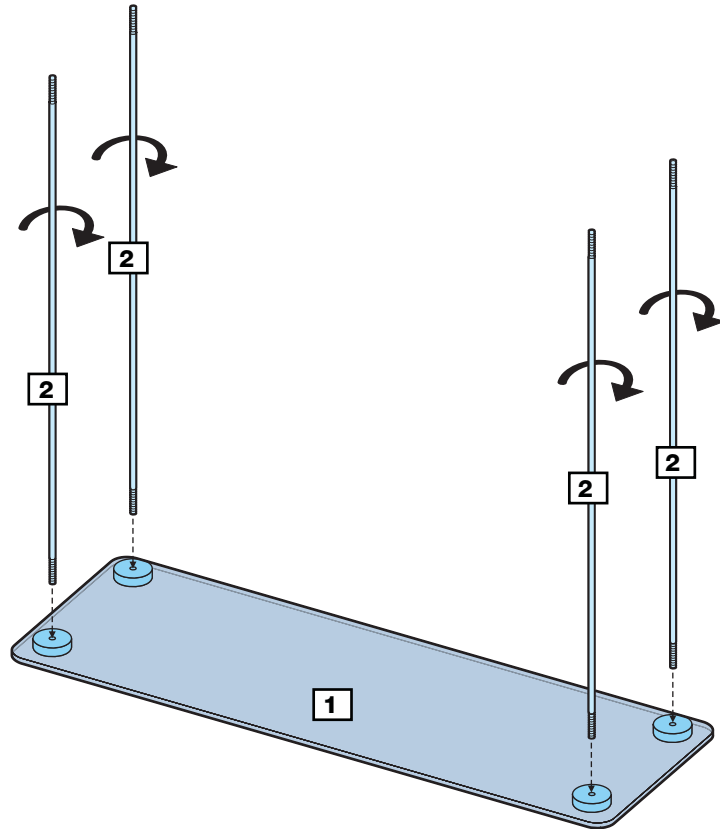


Assembly Instructions

Step 1

Attaching metal rods

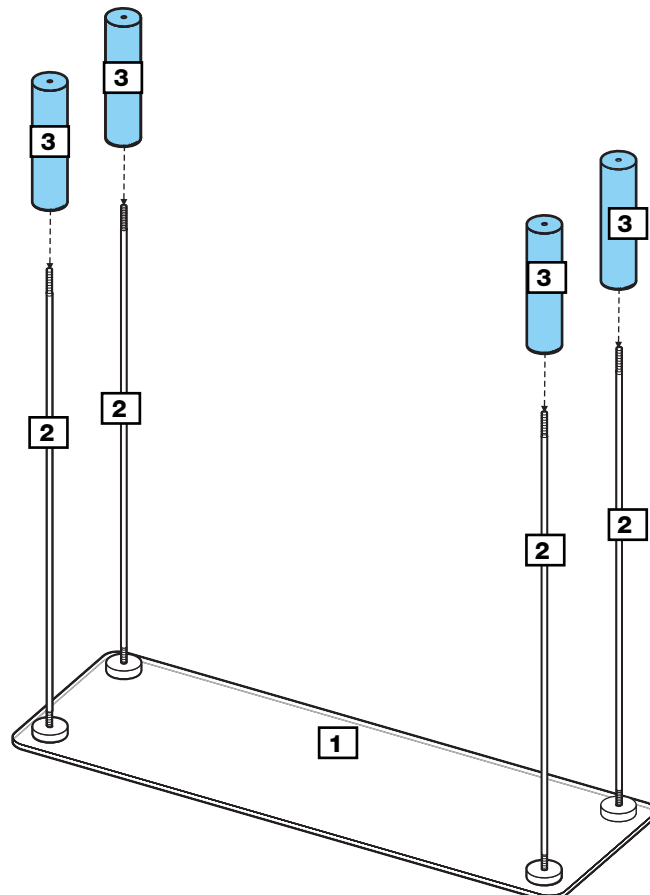
Finger tighten 4 pcs of metal rods **2** onto glass top **1** as shown.



Step 2

Attaching metal tubes

Attach 4 pcs of metal tubes **3** through 4 pcs of metal rods **2** as shown.



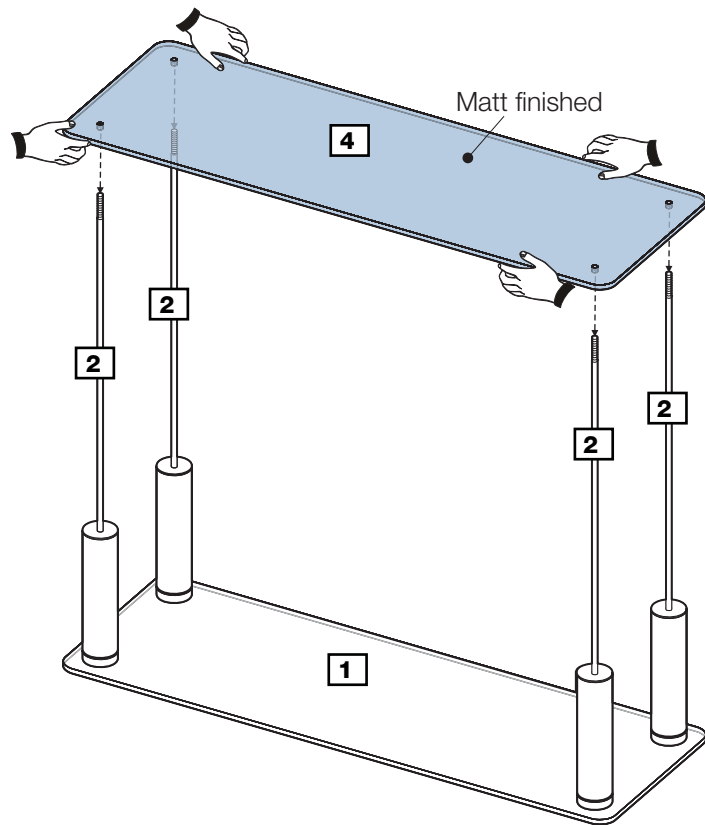
Assembly Instructions

Step 3

Attaching glass shelf

Two people are required for assembly.

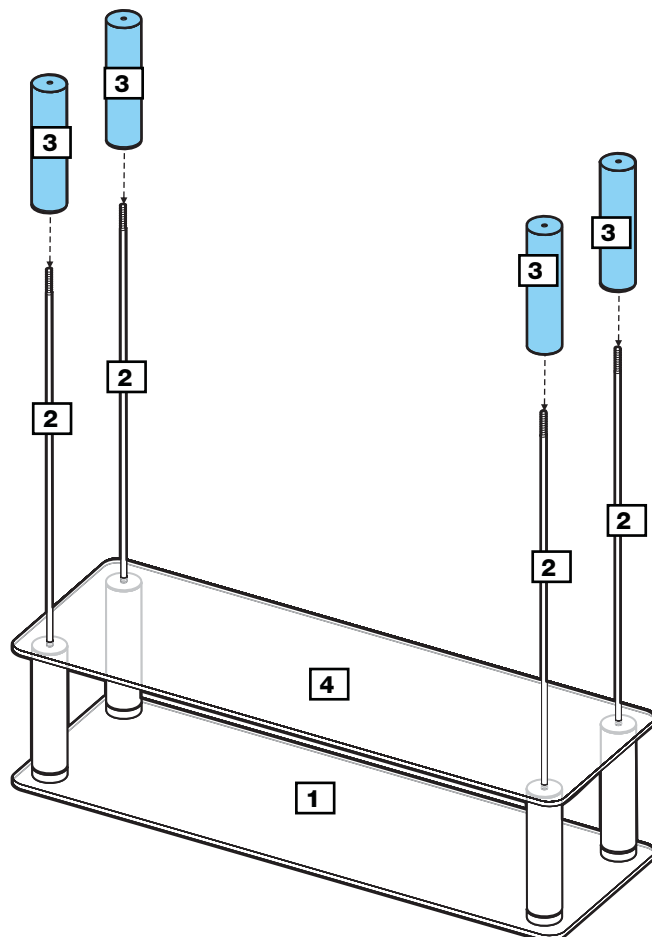
Please be careful to place glass shelf **4** through 4 pcs of metal rods **2** as shown.



Step 4

Attaching metal tubes

Attach 4 pcs of metal tubes **3** through 4 pcs of metal rods **2** as shown.



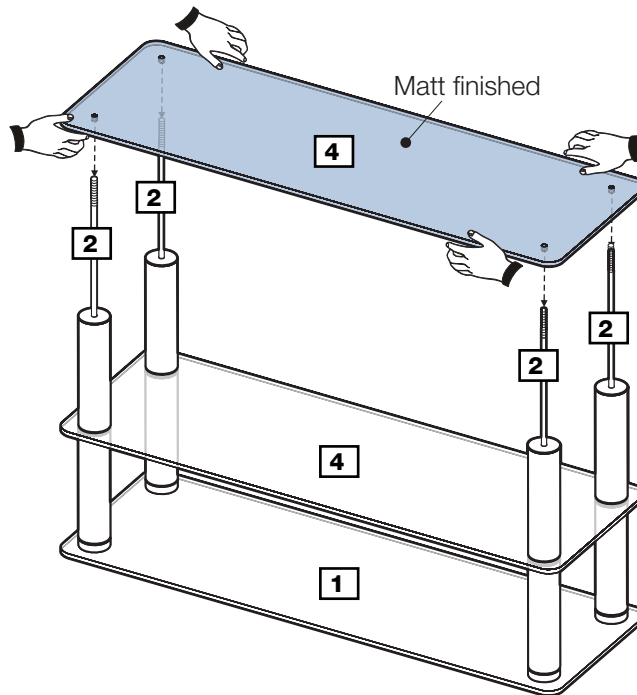
Assembly Instructions

Step 5

Attaching glass shelf

Two people are required for assembly.

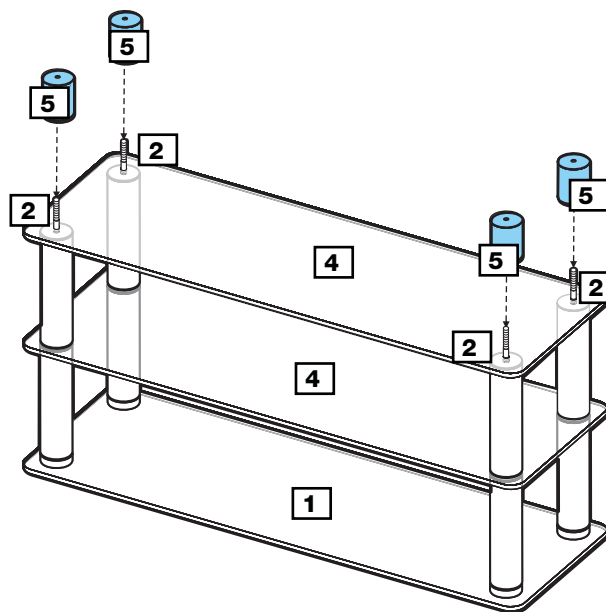
Please be careful to place glass shelf **4** through 4 pcs of metal rods **2** as shown.



Step 6

Attaching metal tubes

Attach 4 pcs of metal tubes **5** through 4 pcs of metal rods **2** as shown.

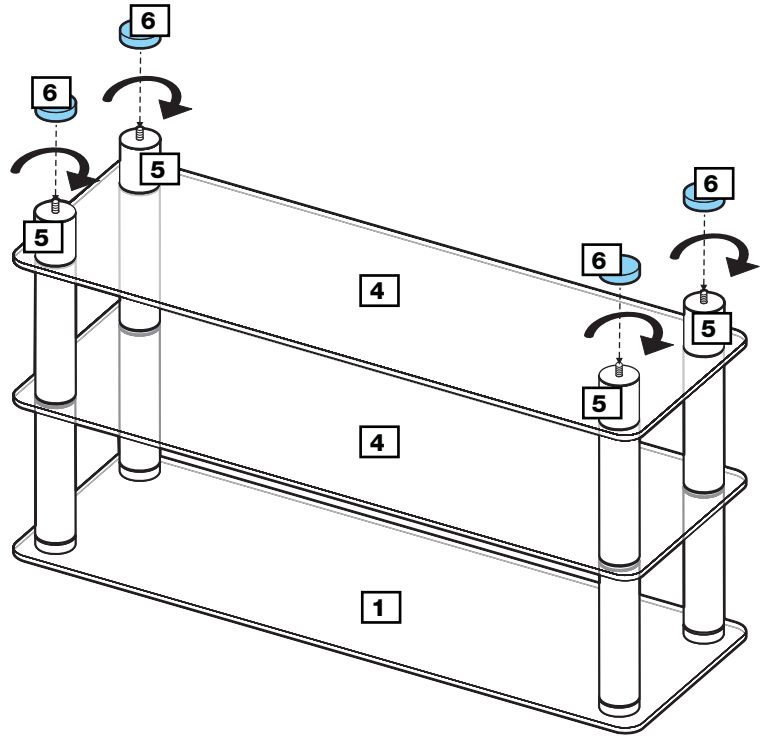


Assembly Instructions

Step 7

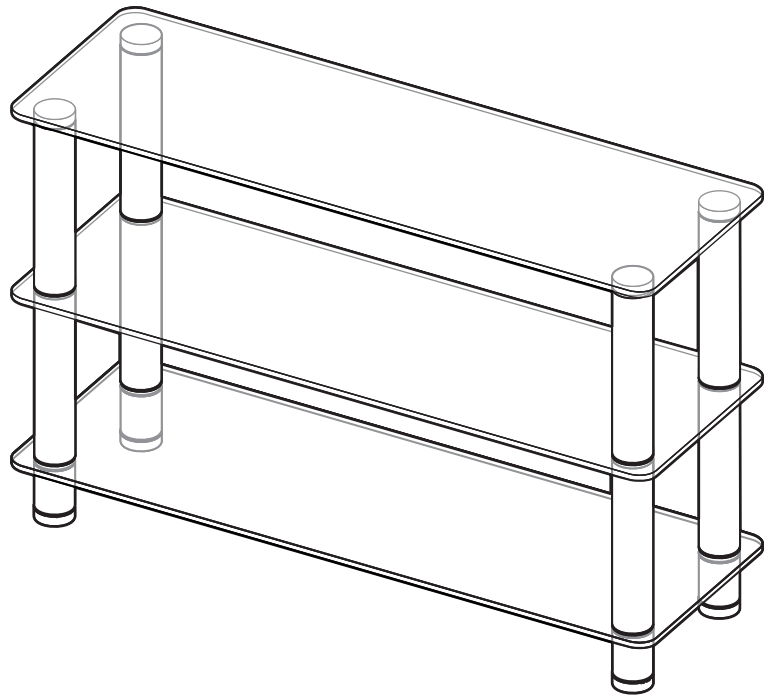
Attaching feet

Finger tighten 4 pcs of feet **6** onto metal rods **2** as shown.



Step 8

Assembly is complete.



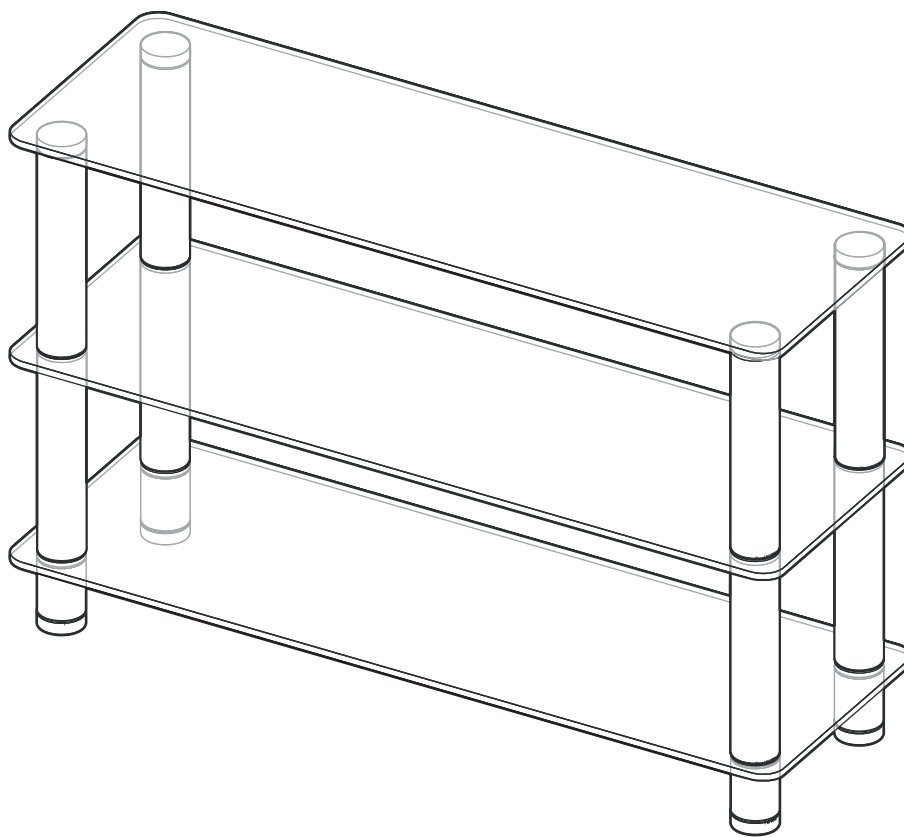
If you need help or have damaged or missing parts, call the Customer Helpline: 08456 400800

Matrix - Glass TV Bench

Assembly Instructions - Please keep for future reference

609/0399

609/0715



Dimensions

Width - 110cm

Depth - 33cm

Height - 50.8cm

Important - Please read these instruction fully before starting assembly

If you need help or have damaged or missing parts, call the Customer Helpline: 08456 400800



Safety and Care Advice

Important - Please read these instructions fully before starting assembly

- Check you have all the components and tools listed on pages 2
- Remove all fittings from the plastic bags and separate them into their groups.
- Keep children and animals away from the work area, small parts could choke if swallowed.
- Make sure you have enough space to layout the parts before starting.

- Do not stand on the product, this could cause damage.
- Assemble the item as close to its final position (in the same room) as possible.
- Assemble on a soft level surface to avoid damaging the unit or your floor.
- Parts of the assembly will be easier with 2 people.



- We do not recommend the use of power drill/drivers for inserting screws, as this could damage the unit. Only use hand screwdrivers.
- Dispose of all packaging carefully and responsibly.

Care and maintenance

- Only clean using a damp cloth and mild detergent, do not use bleach or abrasive cleaners.
- From time to time check that there are no loose screws on this unit.
- This product should not be discarded with household waste. Take to your local authority waste disposal centre.

Keep These Instructions For Future Reference

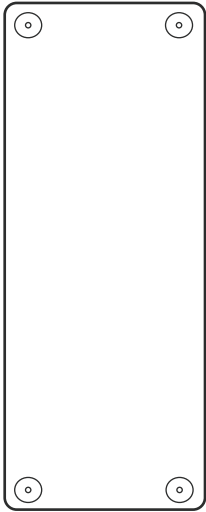
- This product complies with BS EN14749:2005
- Argos plc
489-499 Avebury Boulevard
Central Milton Keynes
MK9 2NW
- Batch No./Date of manufacture:

Warning

- Do not place very hot or very cold items against or in close proximity to glass surfaces unless an adequately thick insulating material is used to prevent such items from coming into contact with the glass.
- Do not sit or stand upon the glass surface(s).
- If a glass component is chipped or broken, stop using the product and consult the manufacturer or supplier.
- Do not use the glass as a chopping surface. Do not strike the glass with hard or pointed items.

Components - Panels

Please check you have all the panels listed below



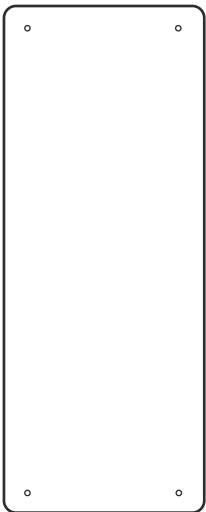
1 Glass top x 1
(110 x 33cm)



2 Metal rod x 4
(49 x 0.8 cm)



3 Metal tube x 8
(5.08 x 18.7cm)



4 Glass shelf x 2
(110 x 33 cm)



5 Metal tube x 4
(5.08 x 8.5cm)



6 Feet x 4
(5.2 x 1.3cm)



Ruler - Use this ruler to help correctly identify the screws

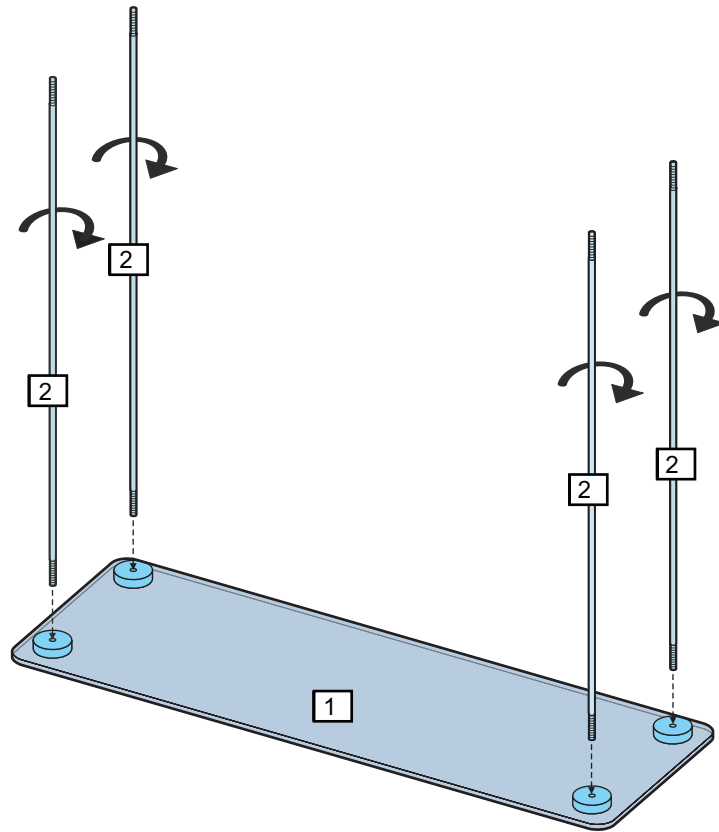
0 5 10 15 20 25 30 35 40 45 50 55 60 65 70 75 80 85 90 95 100 105 110 115 120 125 130 135 140 145 150 155 160 165 170

Assembly Instructions

Step 1

Attaching metal rods

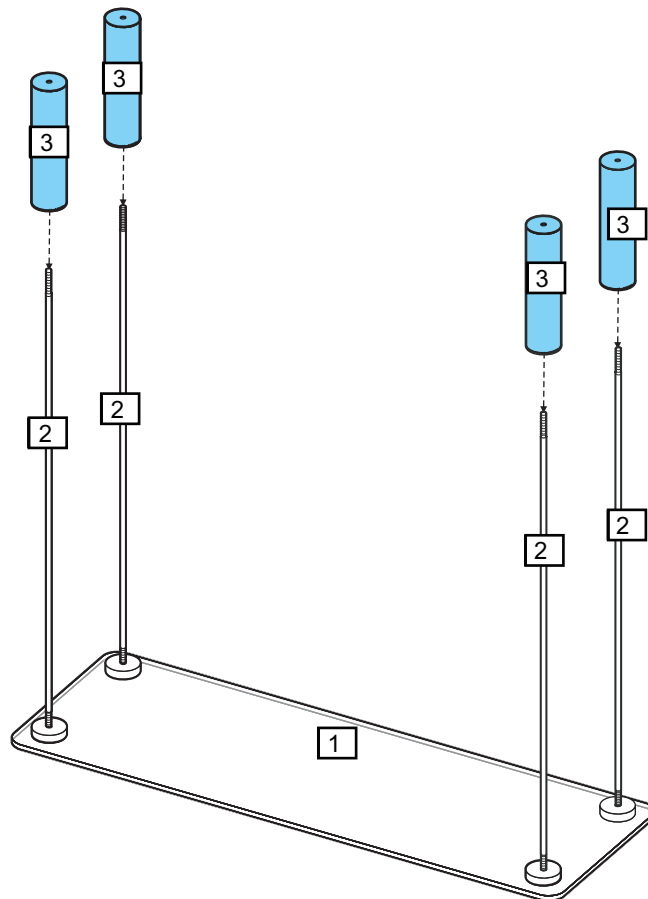
Finger tighten 4 pcs of metal rods **2** onto glass top **1** as shown.



Step 2

Attaching metal tubes

Attach 4 pcs of metal tubes **3** through 4 pcs of metal rods **2** as shown.



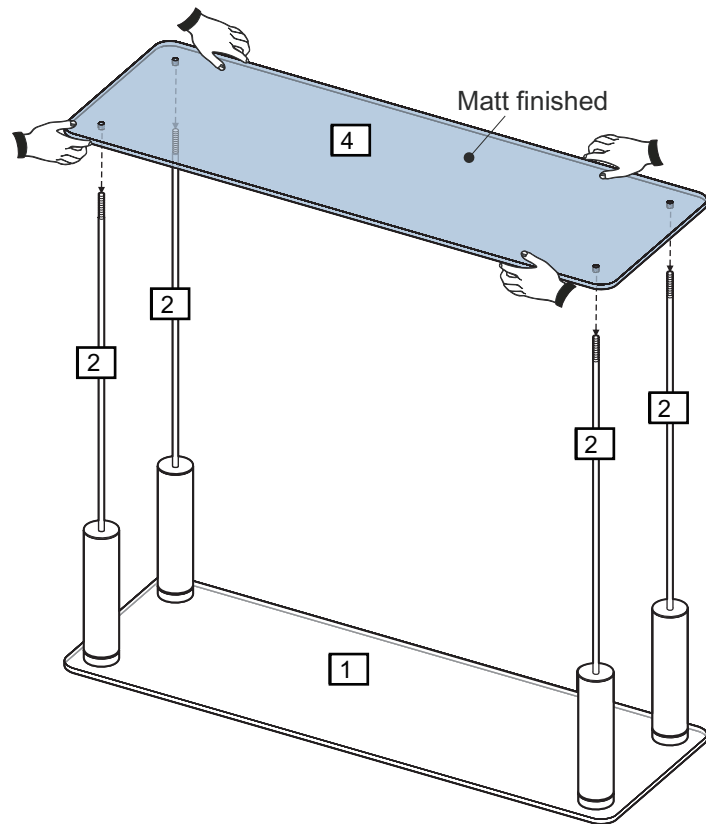
Assembly Instructions

Step 3

Attaching glass shelf

Two people are required for assembly.

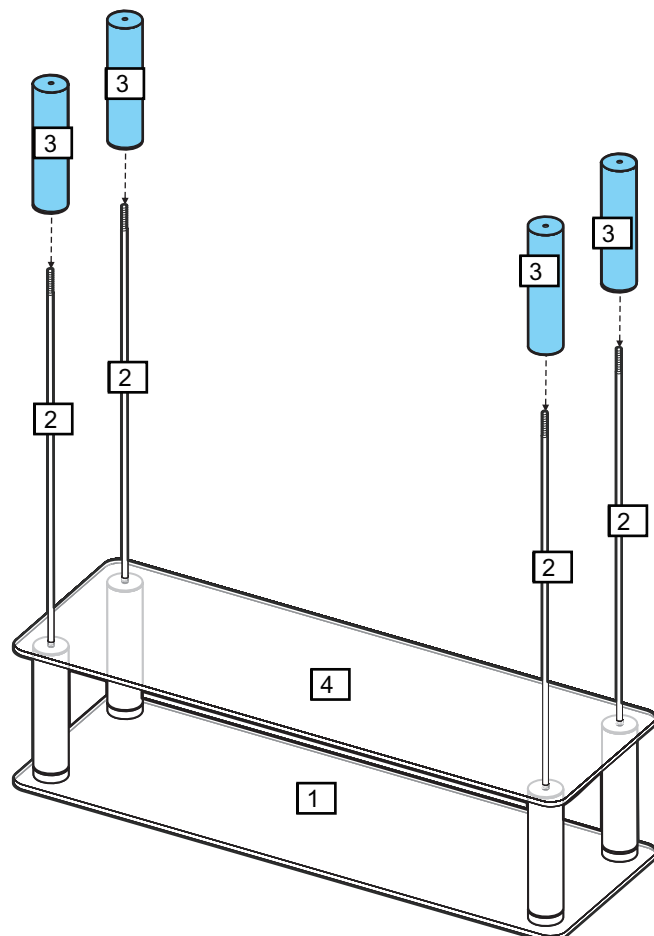
Please be careful to place glass shelf **4** through 4 pcs of metal rods **2** as shown.



Step 4

Attaching metal tubes

Attach 4 pcs of metal tubes **3** through 4 pcs of metal rods **2** as shown.



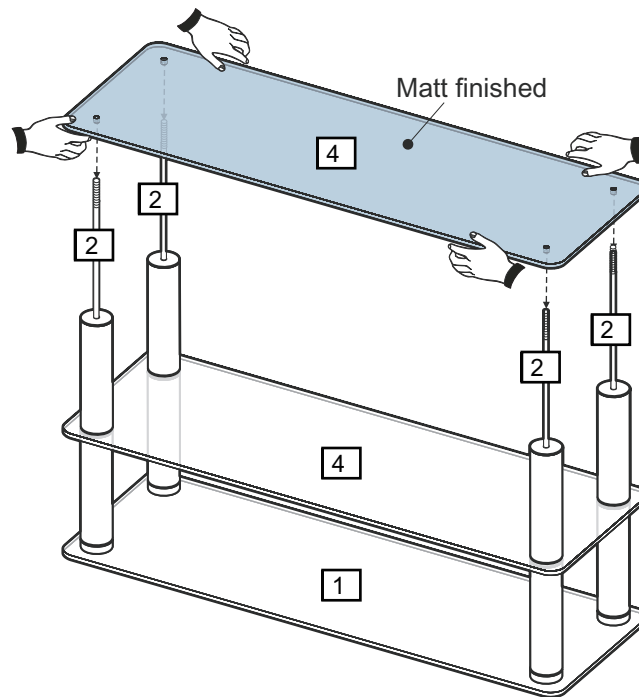
Assembly Instructions

Step 5

Attaching glass shelf

Two people are required for assembly.

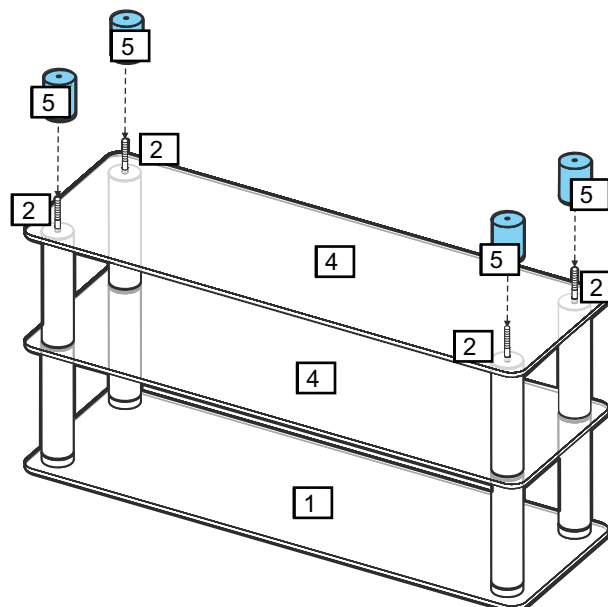
Please be careful to place glass shelf **4** through 4 pcs of metal rods **2** as shown.



Step 6

Attaching metal tubes

Attach 4 pcs of metal tubes **5** through 4 pcs of metal rods **2** as shown.

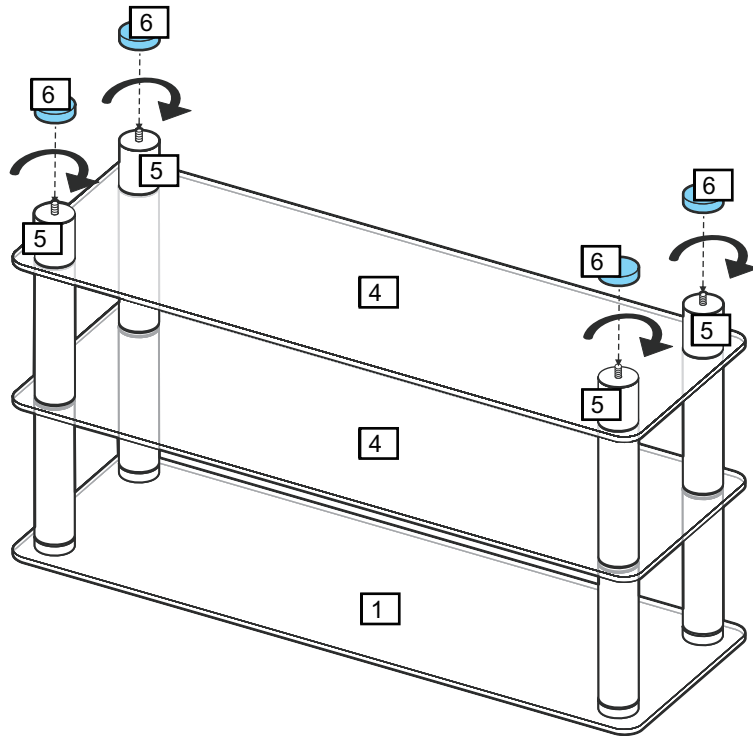


Assembly Instructions

Step 7

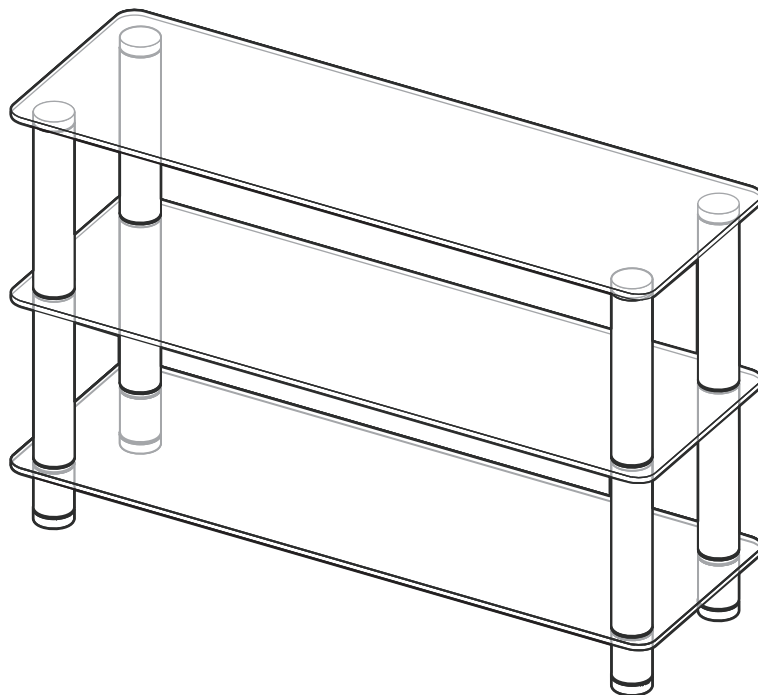
Attaching feet

Finger tighten 4 pcs of feet **6** onto metal rods **2** as shown.



Step 8

Assembly is complete.



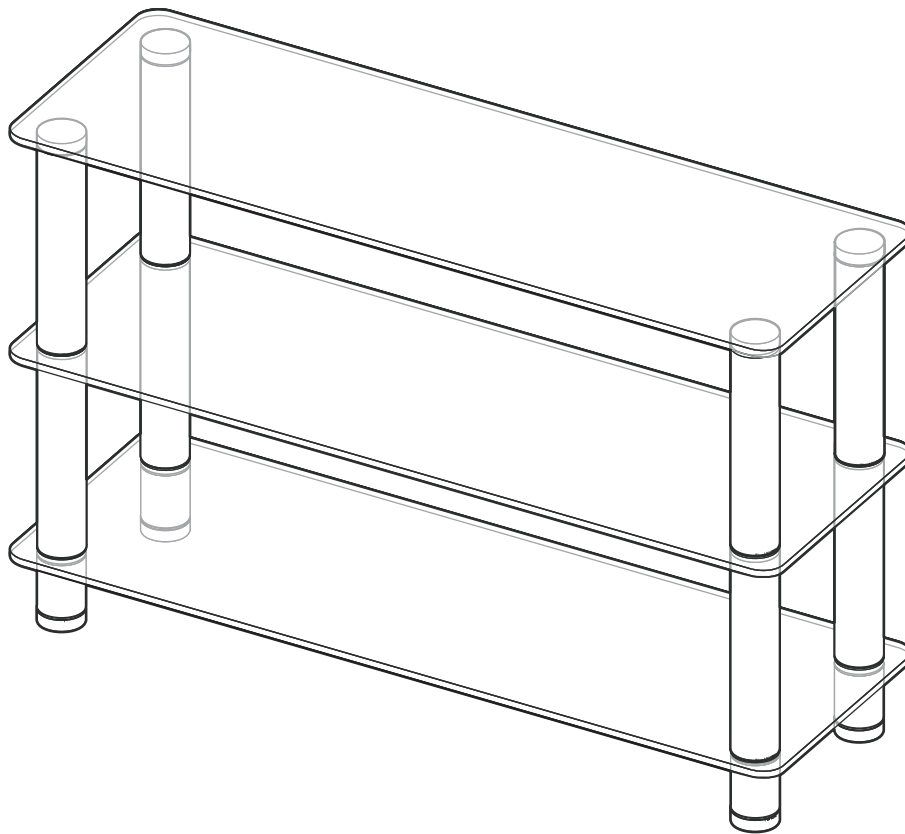
If you need help or have damaged or missing parts, call the Customer Helpline: 08456 400800

Matrix - Glass TV Bench

Assembly Instructions - Please keep for future reference

609/0399

609/0715



Dimensions

Width - 110cm

Depth - 33cm

Height - 50.8cm

Important - Please read these instruction fully before starting assembly

If you need help or have damaged or missing parts, call the Customer Helpline: 08456 400800



Safety and Care Advice

Important - Please read these instructions fully before starting assembly

- Check you have all the components and tools listed on pages 2
- Remove all fittings from the plastic bags and separate them into their groups.
- Keep children and animals away from the work area, small parts could choke if swallowed.
- Make sure you have enough space to layout the parts before starting.

- Do not stand on the product, this could cause damage.
- Assemble the item as close to its final position (in the same room) as possible.
- Assemble on a soft level surface to avoid damaging the unit or your floor.
- Parts of the assembly will be easier with 2 people.



- We do not recommend the use of power drill/drivers for inserting screws, as this could damage the unit. Only use hand screwdrivers.
- Dispose of all packaging carefully and responsibly.

Care and maintenance

- Only clean using a damp cloth and mild detergent, do not use bleach or abrasive cleaners.
- From time to time check that there are no loose screws on this unit.
- This product should not be discarded with household waste. Take to your local authority waste disposal centre.

Keep These Instructions For Future Reference

- This product complies with BS EN14749:2005
- Argos plc
489-499 Avebury Boulevard
Central Milton Keynes
MK9 2NW
- Batch No./Date of manufacture:

Warning

- Do not place very hot or very cold items against or in close proximity to glass surfaces unless an adequately thick insulating material is used to prevent such items from coming into contact with the glass.
- Do not sit or stand upon the glass surface(s).
- If a glass component is chipped or broken, stop using the product and consult the manufacturer or supplier.
- Do not use the glass as a chopping surface. Do not strike the glass with hard or pointed items.

Components - Panels

Please check you have all the panels listed below



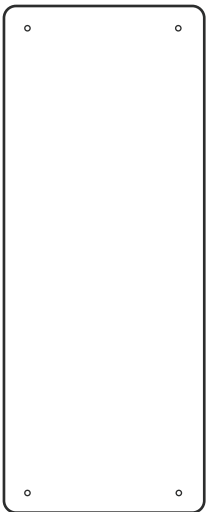
1 Glass top x 1
(110 x 33cm)



2 Metal rod x 4
(48.3 x 0.6 cm)



3 Metal tube x 8
(5 x 19.3 cm)



4 Glass shelf x 2
(110 x 33 cm)



5 Metal tube x 4
(5 x 8.5cm)



6 Feet x 4
(5 x 1.4cm)



7 plastic pad x 16
(5 x 1.4cm)



Ruler - Use this ruler to help correctly identify the screws

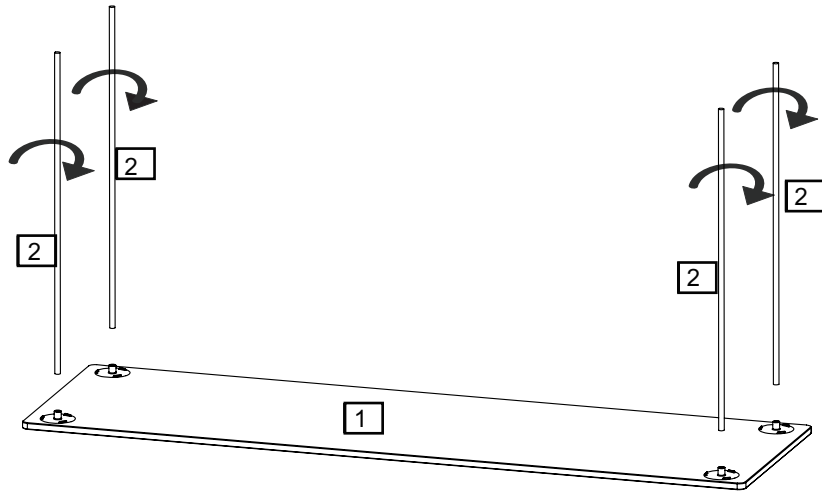


Assembly Instructions

Step 1

Attaching metal rods

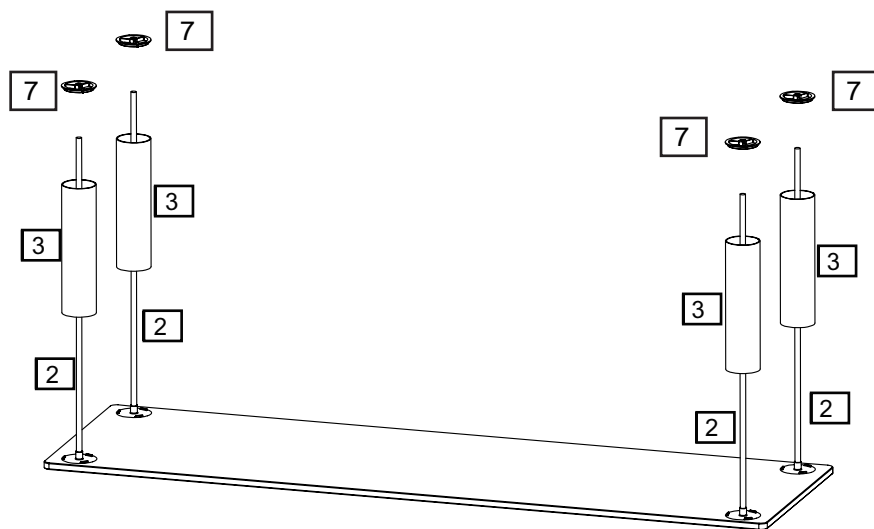
Finger tighten 4 pcs of metal rods **2** onto glass top **1** as shown.



Step 2

Attaching metal tubes

Attach 4 pcs of metal tubes **3** and 4 pcs of plastic pad **7** through 4 pcs of metal rods **2** as shown.



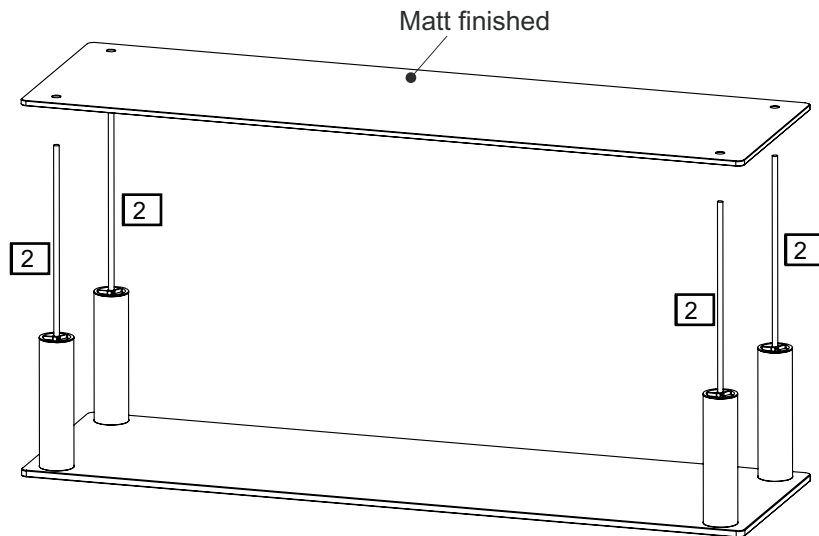
Assembly Instructions

Step 3

Attaching glass shelf

Two people are required for assembly.

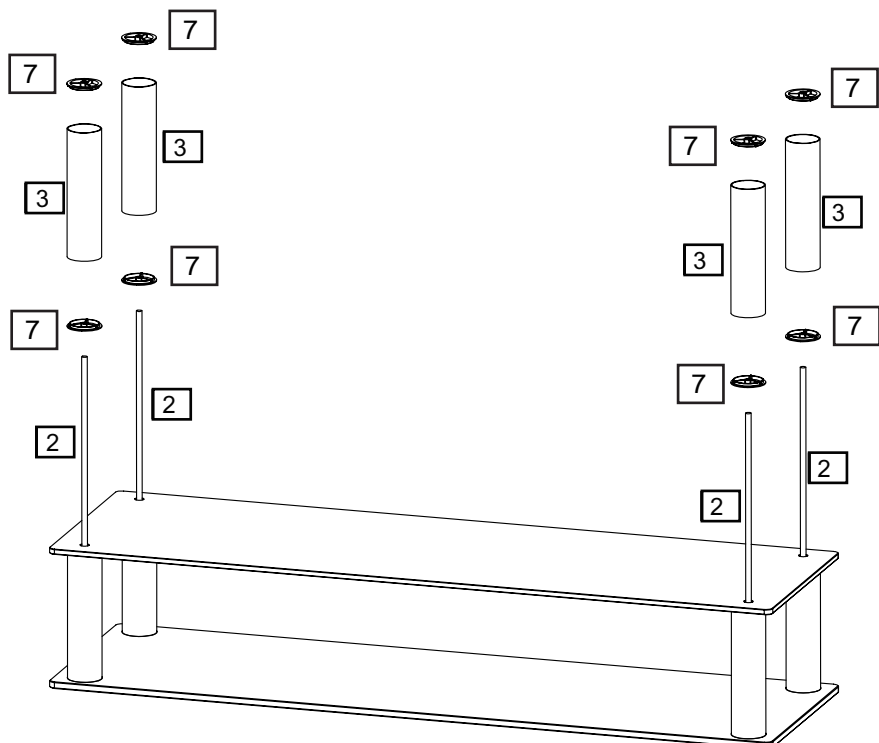
Please be careful to place glass shelf **4** through 4 pcs of metal rods **2** as shown.



Step 4

Attaching metal tubes

Attach 4 pcs of metal tubes **3** and 8 pcs of plastic pad **7** through 4 pcs of metal rods **2** as shown.



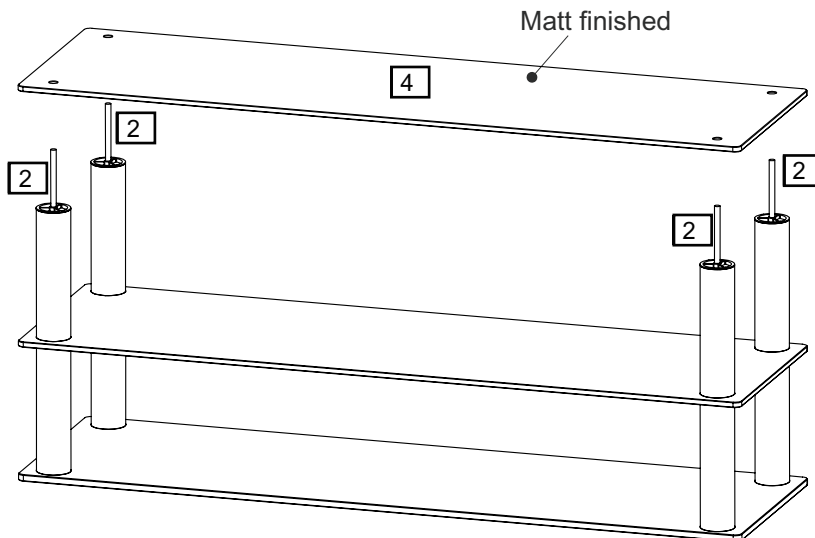
Assembly Instructions

Step 5

Attaching glass shelf

Two people are required for assembly.

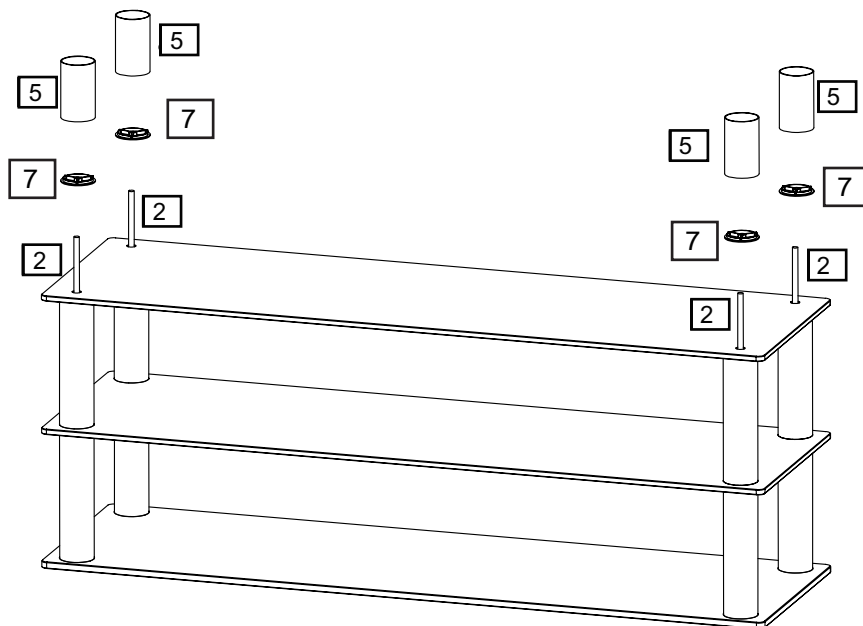
Please be careful to place glass shelf **4** through 4 pcs of metal rods **2** as shown.



Step 6

Attaching metal tubes

Attach 4 pcs of metal tubes **5** and 4 pcs of plastic pad **7** through 4 pcs of metal rods **2** as shown.

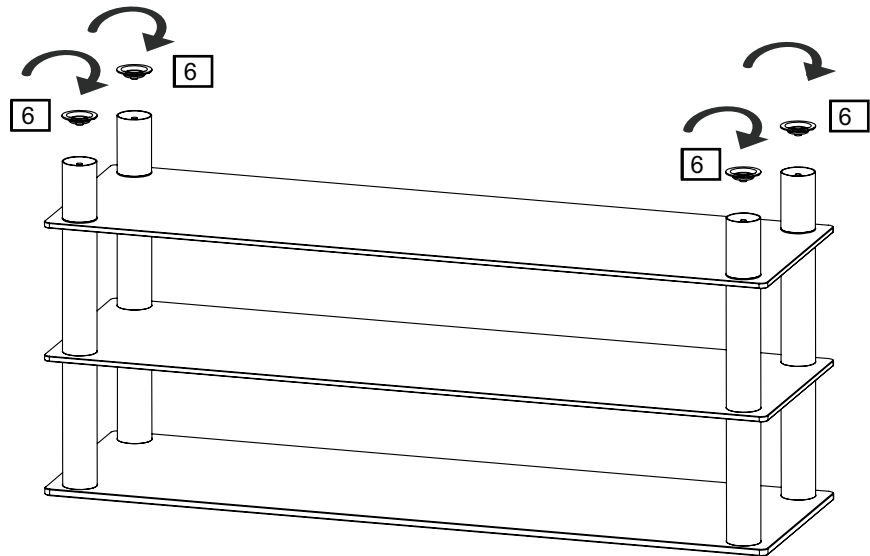


Assembly Instructions

Step 7

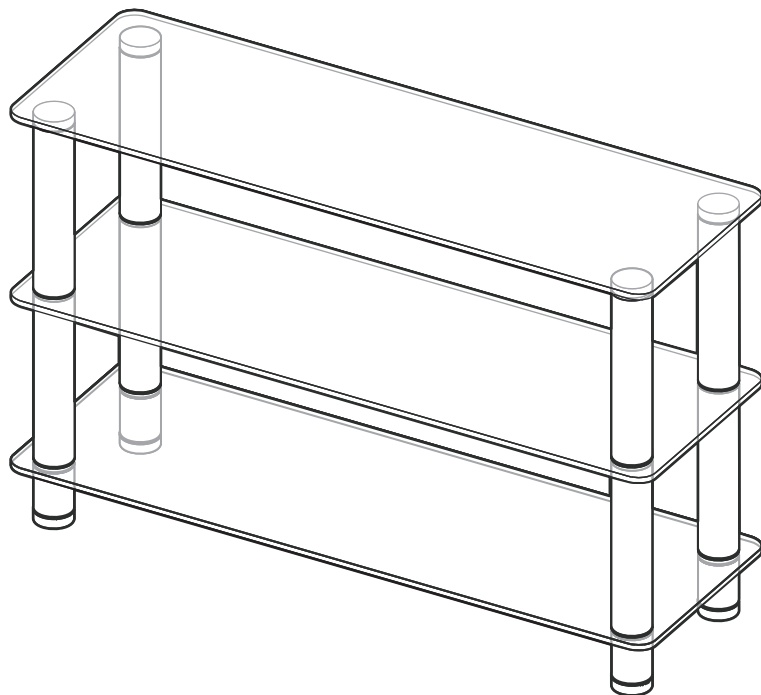
Attaching feet

Finger tighten 4 pcs of feet **6** onto metal rods **2** as shown.



Step 8

Assembly is complete.



If you need help or have damaged or missing parts, call the Customer Helpline: 08456 400800