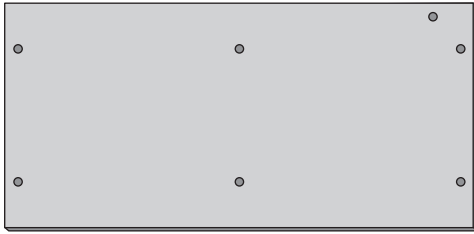


Components

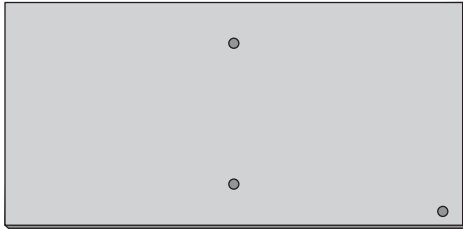
Ⓐ 2 x Top and Bottom Panel



Ⓒ 2 x Side Panel



Ⓑ 1 x Shelf



Ⓓ 2 x Back Panel



Ⓔ 2 x Door



Ⓕ 2 x Vertical Support



Ⓖ 8 x Plastic Plug



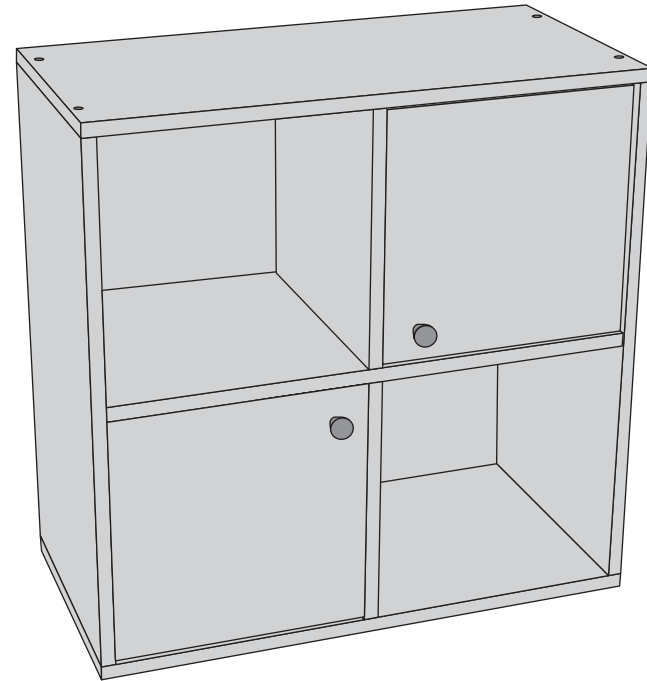
Ⓗ 2 x Door Stopper



Ⓘ 2 x Metal Plate



Ⓙ 2 x Handle



Maine Basic Modular 2 Half Doors

Simple Assembly Instructions - Please keep for future reference

Fittings

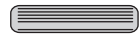
Ⓐ 8 x Screw



Ⓑ 16 x Nail



Ⓒ 8 x Dowel



Ⓓ 4 x Screw



Ⓔ 2 x Screw



Ⓕ 2 x Screw



Ⓖ 2 x Hinge



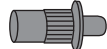
Ⓗ 1 x Nail Guide



Ⓘ 2 x Long Dowel



Ⓙ 2 x Moveable Hinge



IMPORTANT

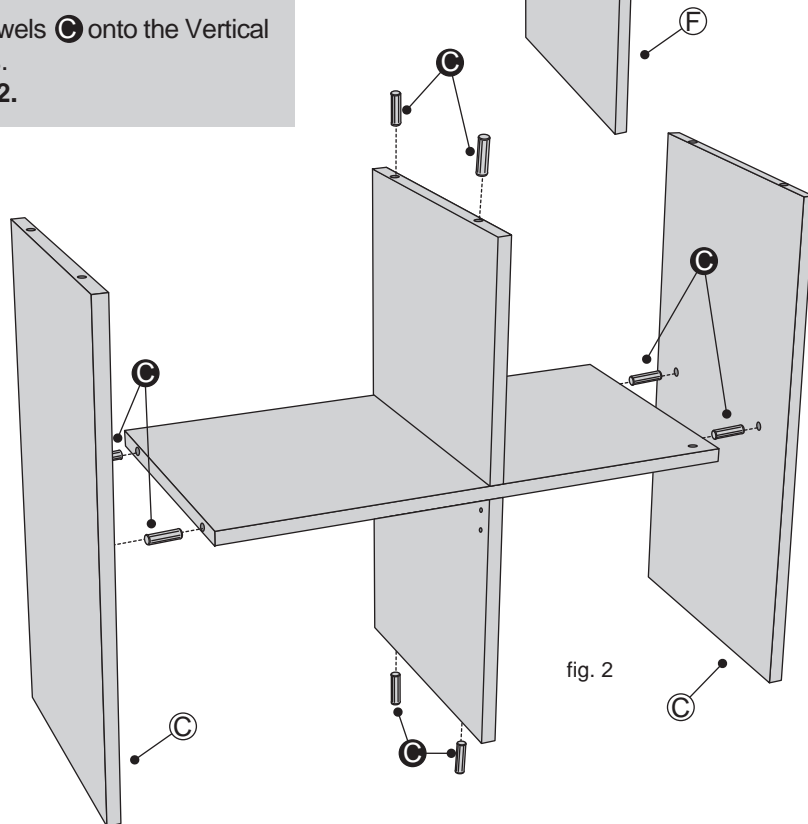
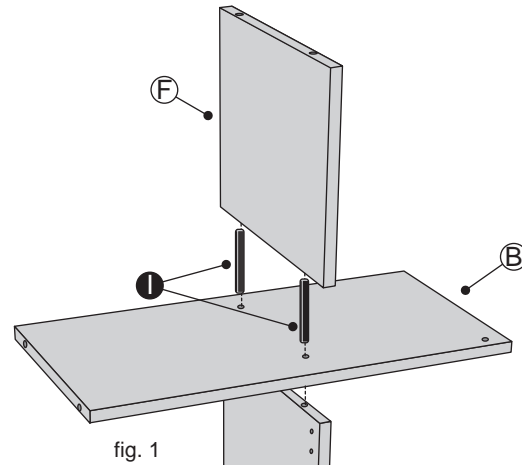
1. Read these instructions carefully and familiarise yourself with the procedure before assembling the unit.
2. Check that you have all the component parts following the list on the back cover and familiarise yourself with each part before proceeding.
3. Take all the fittings out of the plastic bag and separate them into their groups.
4. Ensure you have enough space to lay out all the parts before assembly.
5. To avoid scratching it is recommended that you assemble the unit on a soft level surface.

Assembly Instructions

Stage 1 – Fitting the Side Panel

NOTE: It would be useful to ask someone to help you at this stage.

1. Use Long Dowels **I** to fix the Vertical Supports **F** onto the Shelf **B**.
See fig. 1.
2. Use Dowels **C** to fix the Side Panels **C** onto the unit.
See fig. 2.
3. Insert Dowels **C** onto the Vertical Supports.
See fig. 2.

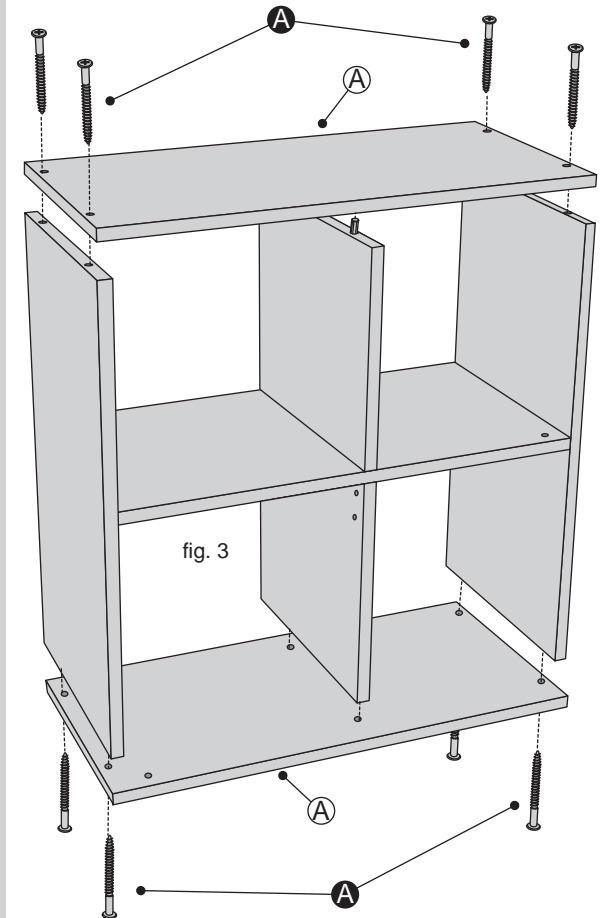


Assembly Instructions

Stage 2 – Fitting the Top/Bottom Panel

NOTE: It would be useful to ask someone to help you at this stage.

1. Use Screw **A** to fix the Top and Bottom Panel **A** onto the unit.
See fig. 3.



Assembly Instructions

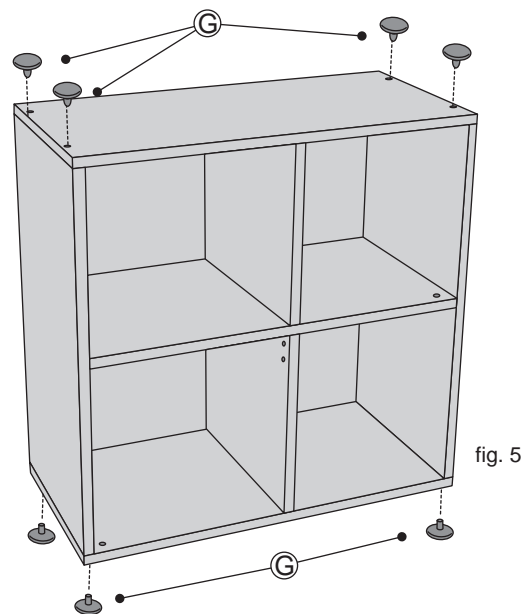
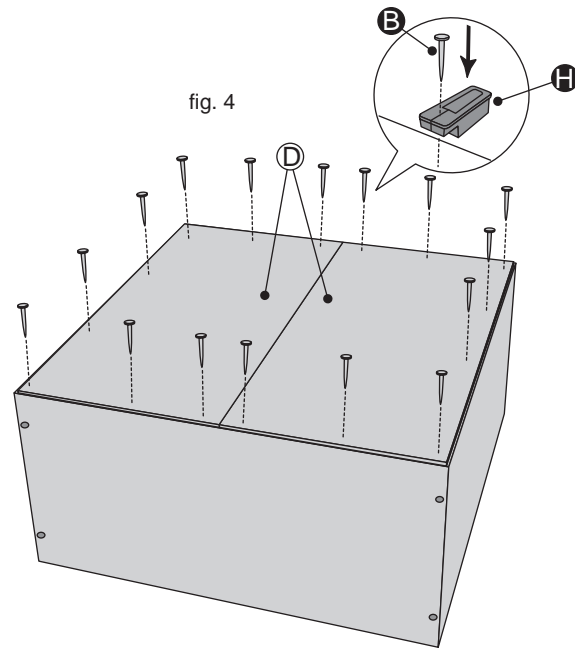
Stage 3 – Fitting the Back Panel

NOTE: It would be useful to ask someone to help you at this stage.

1. Carefully lay the unit flat.
See fig. 4.

2. Use Nails **B** to fix the Back Panels **D** onto the unit.
See fig. 4.

NOTE: Use Nail Guide **H** to keep a constant distance from the edge to the Nail **B**.



3. Use Plastic Plugs **G** to cover the Screw Heads.
See fig. 5.

Assembly Instructions

Stage 4 – Fitting the Door Stopper

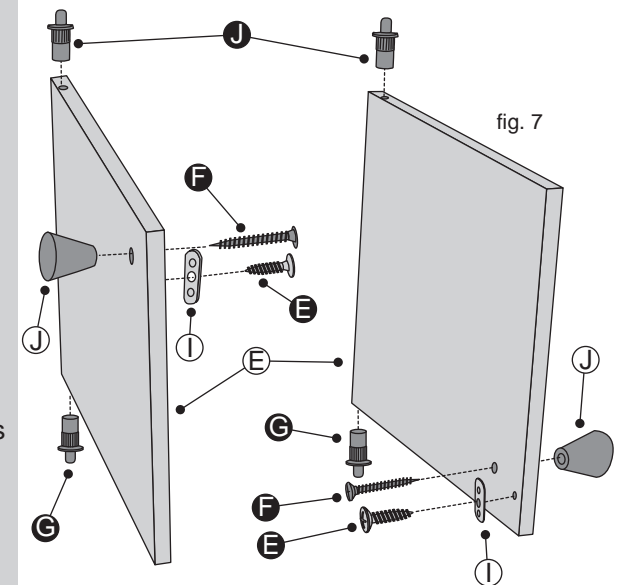
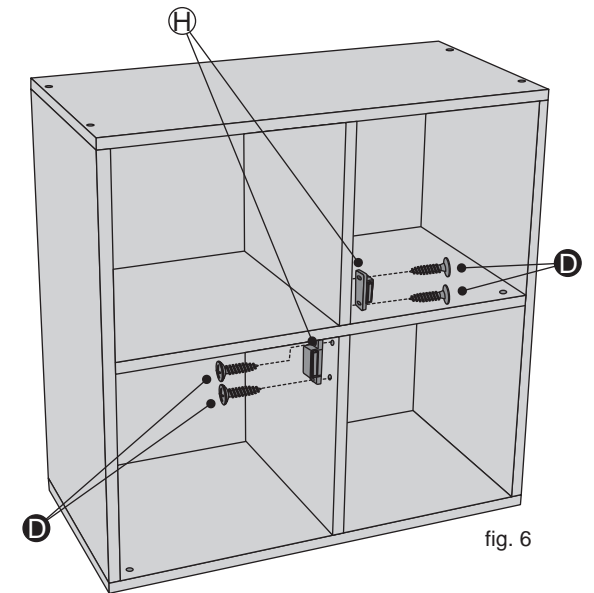
NOTE: It would be useful to ask someone to help you at this stage.

1. Use Screws **D** to fix the Door Stoppers **H** onto the unit.
See fig. 6.

2. Use Screw **E** to fix the Metal Plate **I** onto the Doors **E**.
See fig. 8.

3. Locate the Hinges **G** into the bottom of the door. Then place the Moveable Hinges **J** into the top of the door.
See fig. 8.

4. Use Screws **F** to fix the Handles **J** onto the Doors.
See fig. 8.



Assembly Instructions

Stage 5 – Fitting the Doors

NOTE: It would be useful to ask someone to help you at this stage.

1. Carefully place the Doors Hinges into the lower hinge holes. Then depress the moveable hinge and slide into unit to make connection with upper hinge holes. See fig. 8.

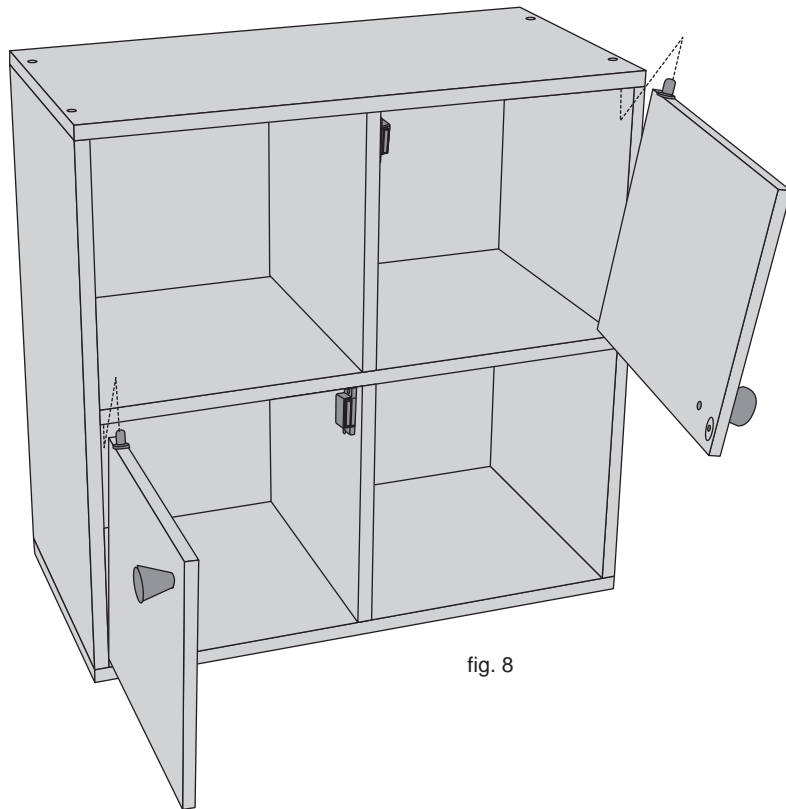


fig. 8

Assembly Instructions

Stage 6 – Finishing the Unit

NOTE: It would be useful to ask someone to help you at this stage.

1. Carefully place the unit in the desired location. See fig. 9.

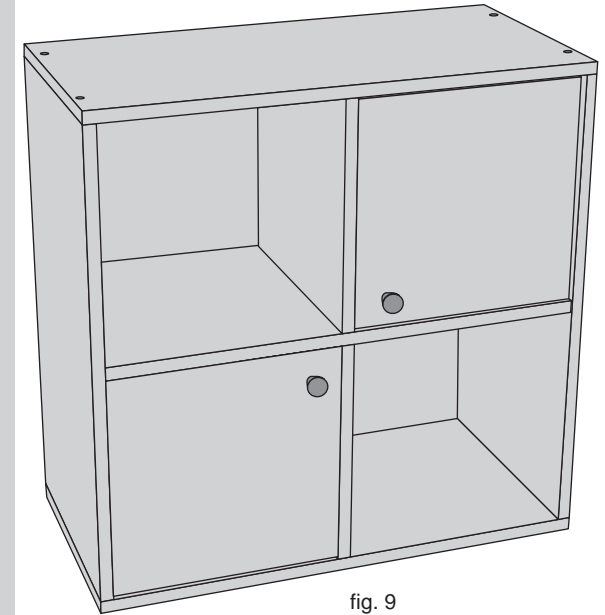


fig. 9

Care and Maintenance

Safety

To avoid any risk of suffocation to animals or children dispose of the plastic bags immediately.

Cleaning

As with all surfaces clean with a damp cloth and mild detergent, do not use bleach or abrasive products.

Fitting

From time to time please ensure there are no loose screws on the product.

Maine Basic Modular 2 Half Doors

Assembly Instructions - Please keep for future reference

609/0069

609/2586

609/2610

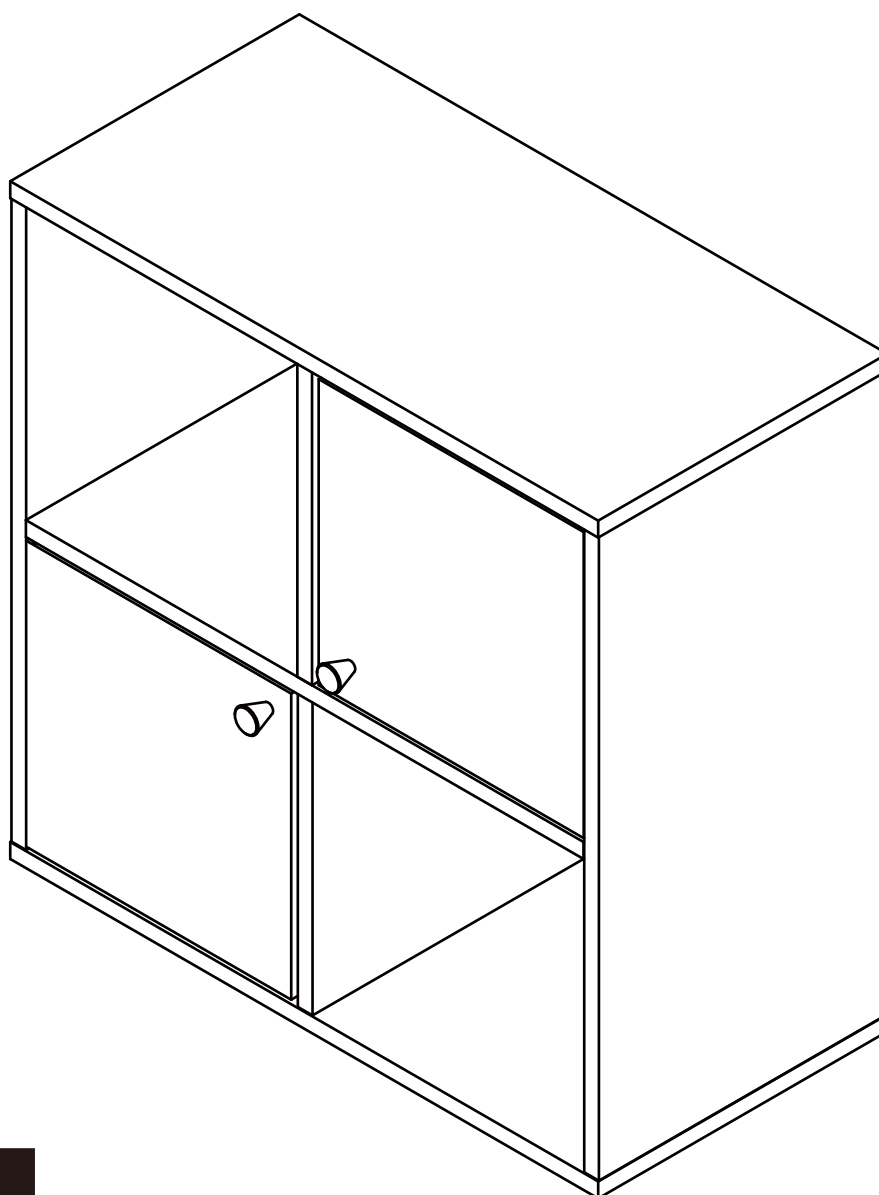
609/2641

609/2672

610/8937

875/4396

875/4406



Dimensions

Width - 60.1cm

Depth - 29.9cm

Height - 60cm

Important - Please read these instructions fully before starting assembly

If you need help or have damaged or missing parts, call the **Customer Helpline: 08456 400800**



Safety and Care Advice

Important – Please read these instructions fully before starting assembly

- Check you have all the components and tools listed on pages 2 and 3.
- Remove all fittings from the plastic bags and separate them into their groups.
- Keep children and animals away from the work area, small parts could choke if swallowed.
- Make sure you have enough space to layout the parts before starting.

- Do not stand on the product, this could cause damage.
- Assemble the item as close to its final position (in the same room) as possible.
- Assemble on a soft level surface to avoid damaging the unit or your floor.
- Parts of the assembly will be easier with 2 people.



- We do not recommend the use of power drill/drivers **for inserting screws**, as this could damage the unit. Only use hand screwdrivers.
- Dispose of all packaging carefully and responsibly.

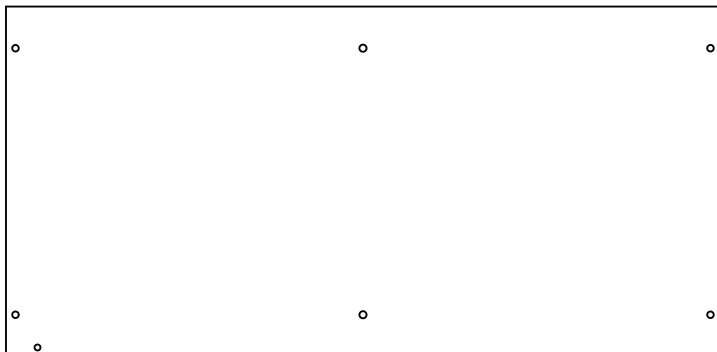
Care and maintenance

- Only clean using a damp cloth and mild detergent, do not use bleach or abrasive cleaners.
- From time to time check that there are no loose screws on this unit.
- This product should not be discarded with household waste. Take to your local authority waste disposal centre.

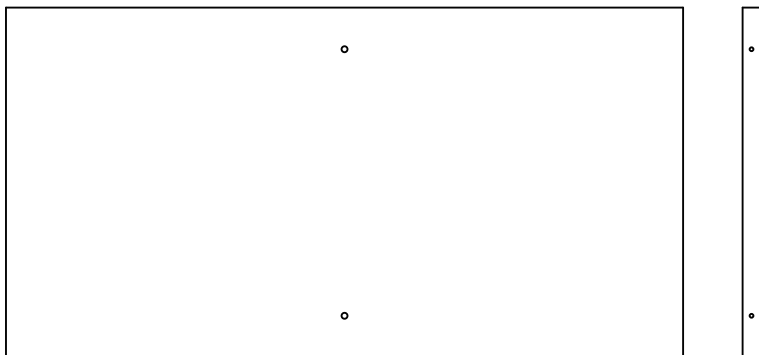
Note: if required the next page can be cut out and used as reference throughout the assembly. Keep this page with these instructions for future reference.

Components - Panels

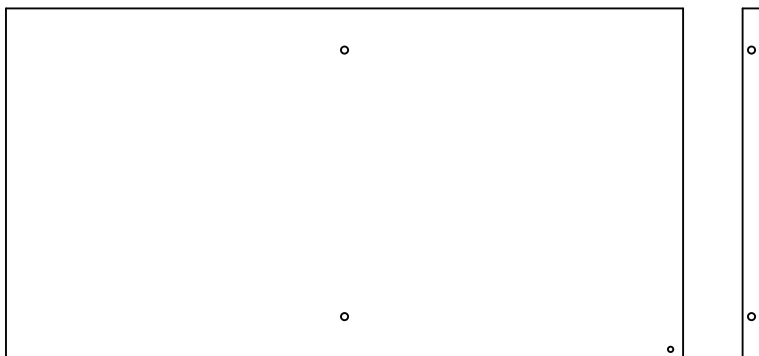
Please check you have all the panels listed below



1 Top/Bottom Panel x 2 (600 x 295mm)



2 Side Panel x 2 (569 x 294mm)



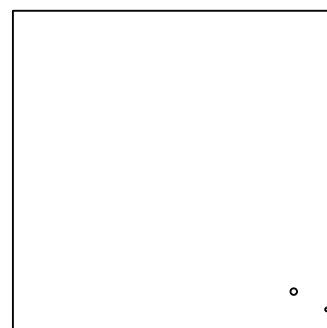
3 Shelf Panel (569 x 294mm)



4 Vertical Support x 2 (294 x 276.5mm)



5 Back Panel x 2 (295 x 596mm)



6 Door Panel x 2 (271 x 271mm)

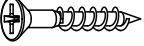


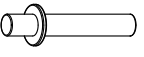
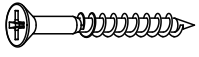
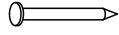
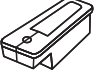

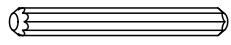
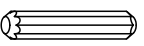
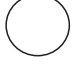




Components - Fittings

If you have damaged or missing components, call the **Customer Helpline: 08456 400800**

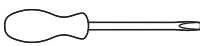
Please check you have all the fittings listed below

Note: The quantities below are the correct amount to complete the assembly. in some cases more fittings may be supplied than are required.


A  25mm Screw x 2	B  Handle x 2	C  Metal Plate x 2
D  Door Hinge x 4	E  40mm Screw x 8	F  Nail x 16
G  Nail Guide x 1	H  Door Stopper x 2	I  Long Wooden Dowel x 2
J  Wooden Dowel x 8	K  Covering Sticker x 4	L  10mm Screw x 2
M  14mm Screw x 4		

Tools required

 Phillips screwdriver (medium & large)

 Flatblade screwdriver (medium)

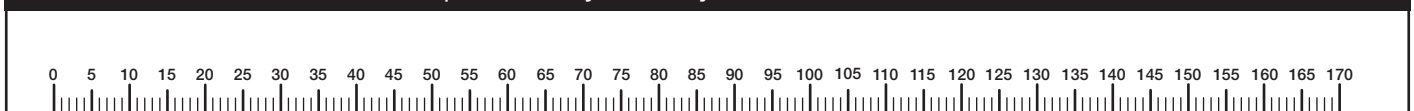
 Bradawl (or sharp point)

 Small hammer

 Ruler/tape measure

 Eye protection (when using a hammer or glue)

Ruler - Use this ruler to help correctly identify the screws



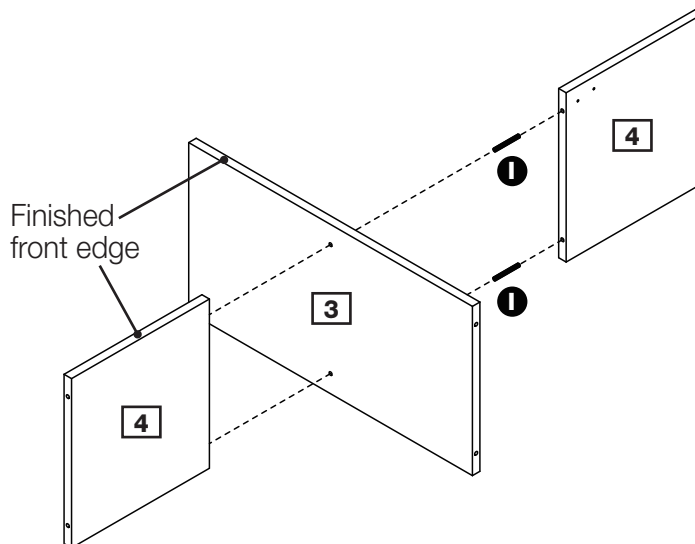
Assembly Instructions

Step 1

Attaching the side panels

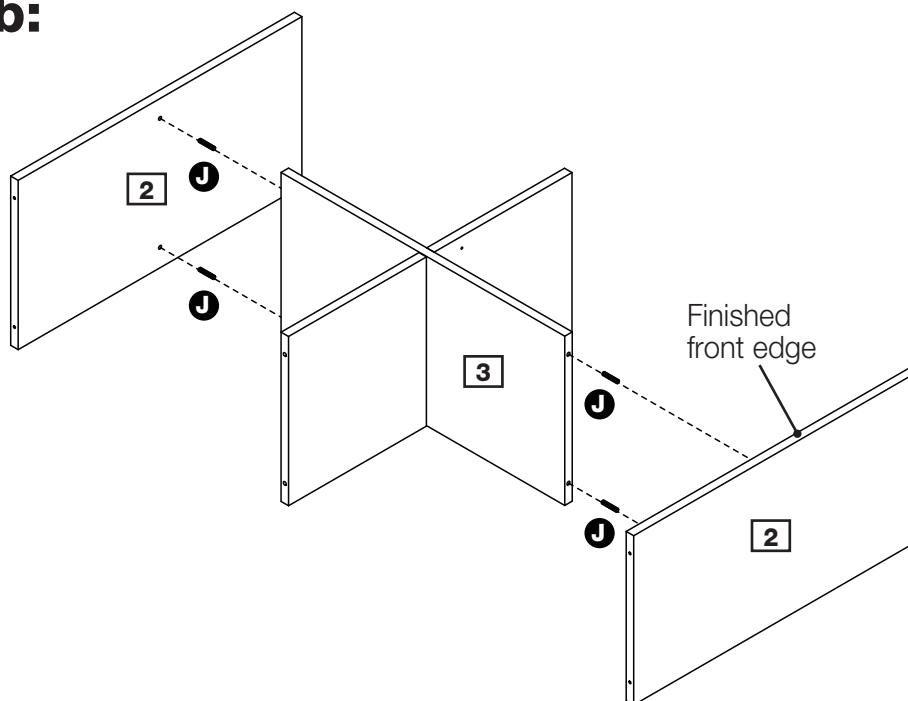
a: Use Long Wooden Dowels **I** to fix the Vertical Supports **4** onto the Shelf Panel **3**.

a:



b: Use Wooden Dowels **J** to fix the Side Panels **2** onto the Shelf Panel **3**.

b:



Step 2

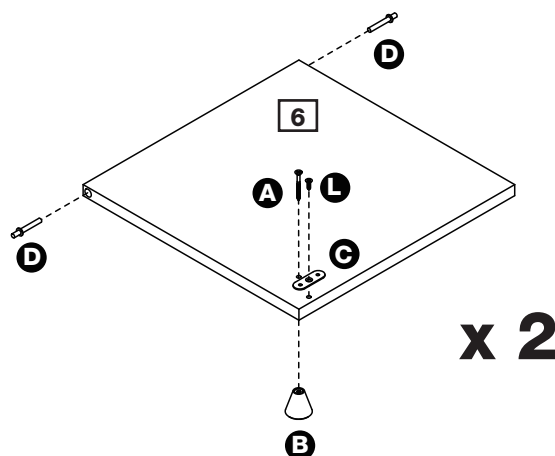
Attaching the door panels

a: Use Screws **L** to fix the Metal Plates **C** onto the Door Panels **6**.

Use Screws **A** to fix the Handles **B** onto the Door Panels **6**.

Insert the Door Hinges **D** into the Door Panels **6**.

a:



Assembly Instructions

Step 2 - continued

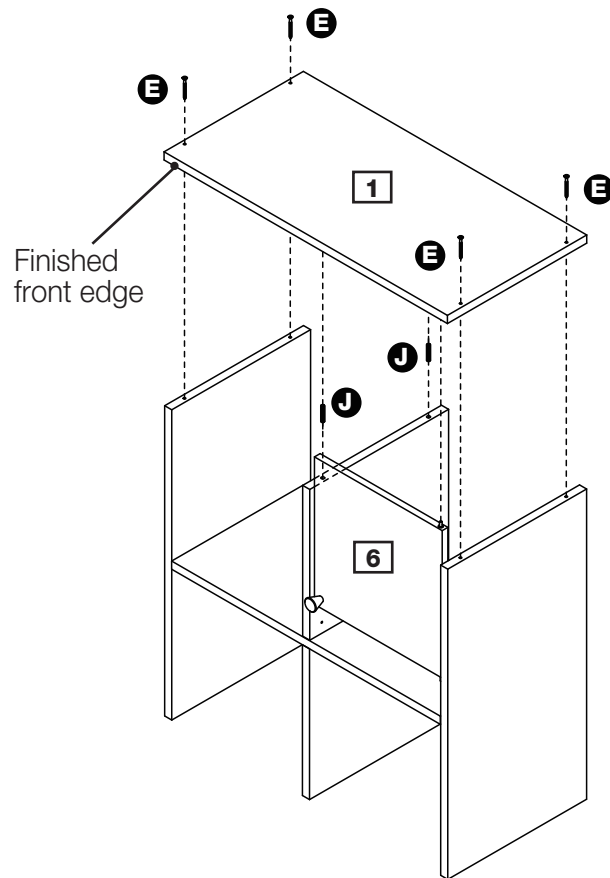
b: Insert Wooden Dowels **J** onto the unit.

Carefully locate the Door Panel **6** onto the unit, aligning the Door Hinges with the corresponding holes.

Use Screws **E** to fix the Bottom Panel **1** onto the unit.

Note: Ensure the Door Hinges are aligned with the corresponding holes.

b:



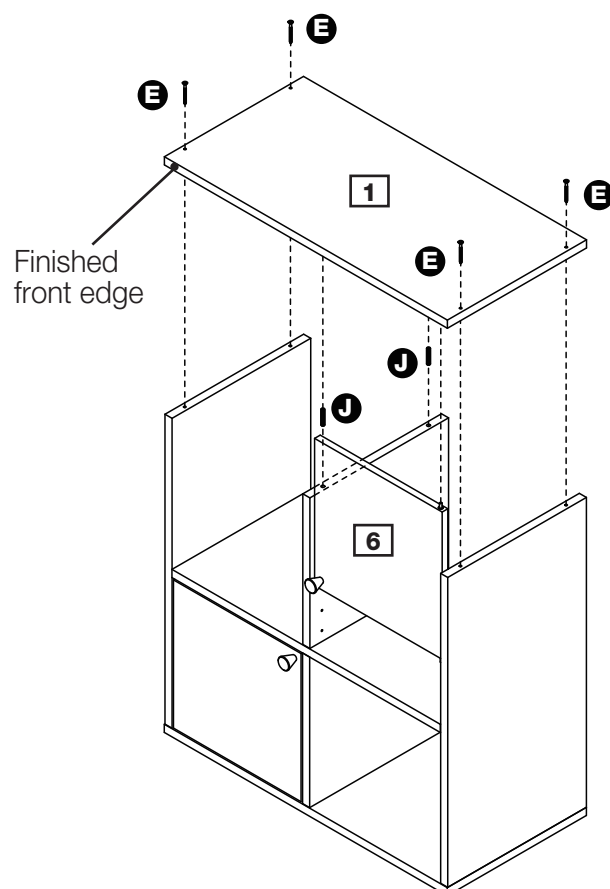
c: Insert Wooden Dowels **J** onto the unit.

Carefully locate the Door Panel **6** onto the unit, aligning the Door Hinges with the corresponding holes.

Use Screws **E** to fix the Top Panel **1** onto the unit.

Note: Ensure the Door Hinges are aligned with the corresponding holes.

c:



Assembly Instructions

Step 3

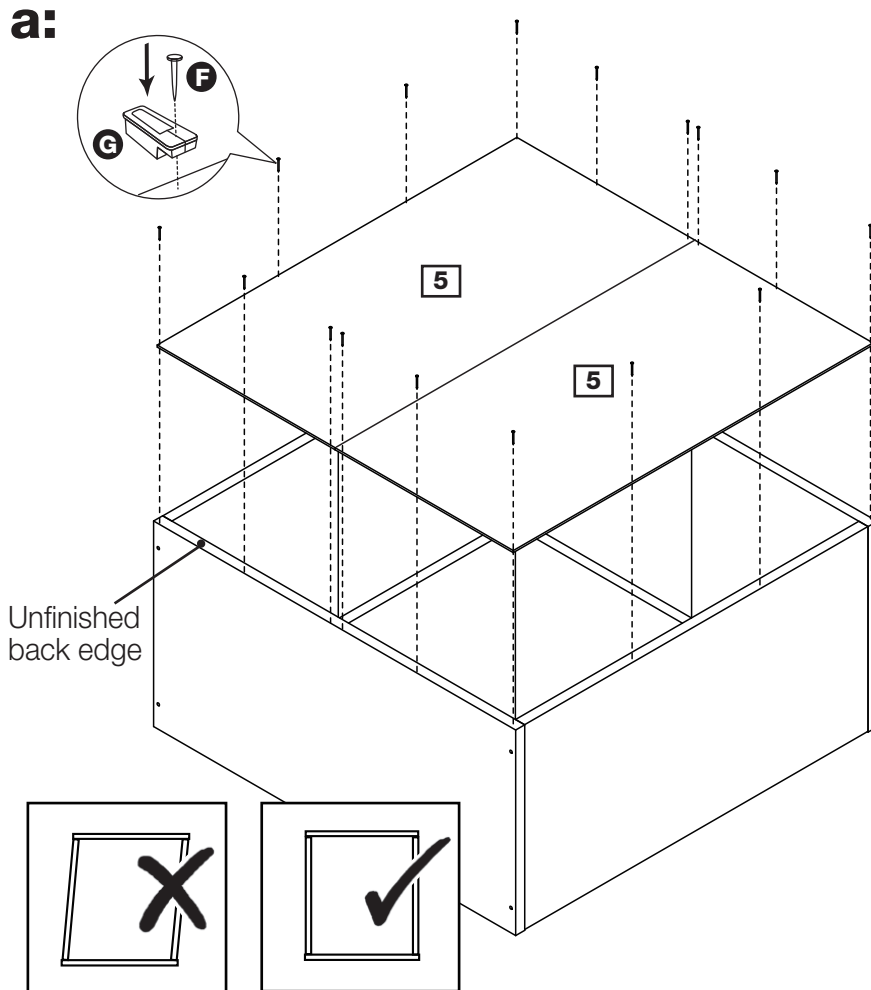
Fixing back panel

a: Use Nails **F** to fix the Back Panels **5** onto the unit.

Note: Use Nail Guide **G** to keep a constant distance from the edge.



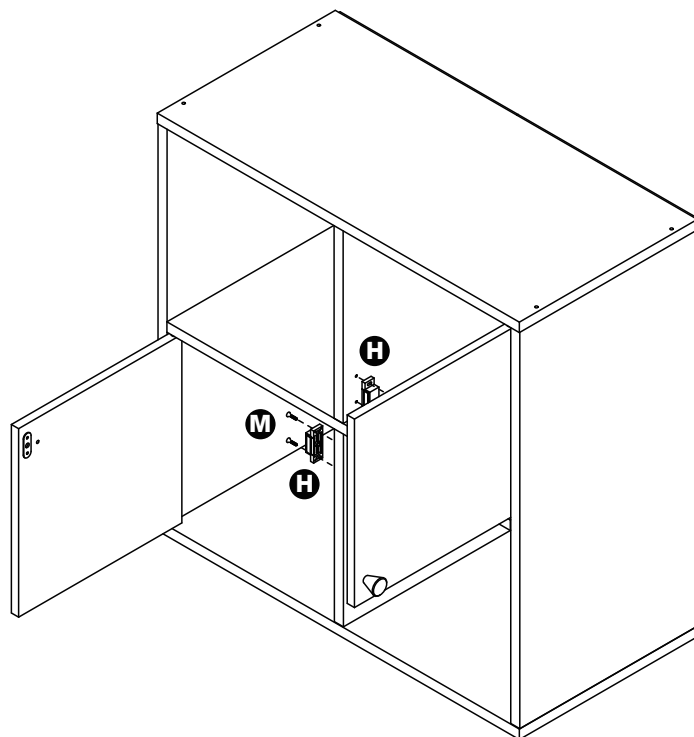
Important:
The cabinet **MUST** be 'square' when the back is attached.



Step 4

Attaching door stopper

a: Use Screws **M** to fix the Door Stoppers **H** onto the unit.



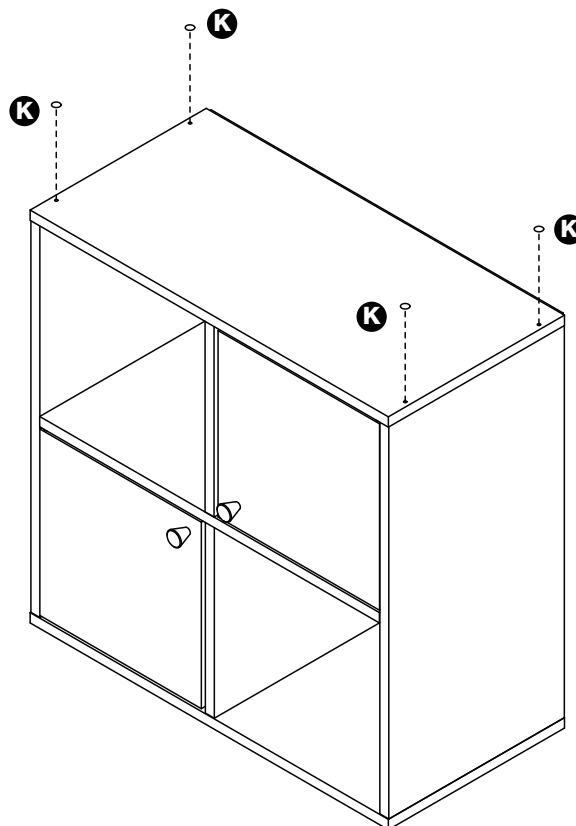
Assembly Instructions

Step 5

Attaching the covering sticker

a: Use Covering Sticker **K** to cover the screw heads.

a:



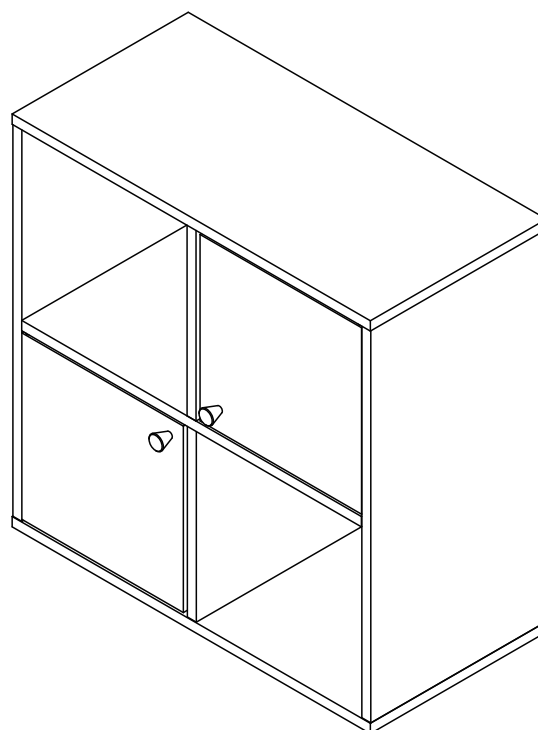
Step 6

Finishing the unit

Note: It would be useful to ask someone to help you at the stage.

With help, place the unit in the intended position.

The assembly is now complete.



If you need help or have damaged or missing parts, call the Customer Helpline: 08456 400800

Boston Basic Modular 2 Half Door

Assembly Instructions - Please keep for future reference

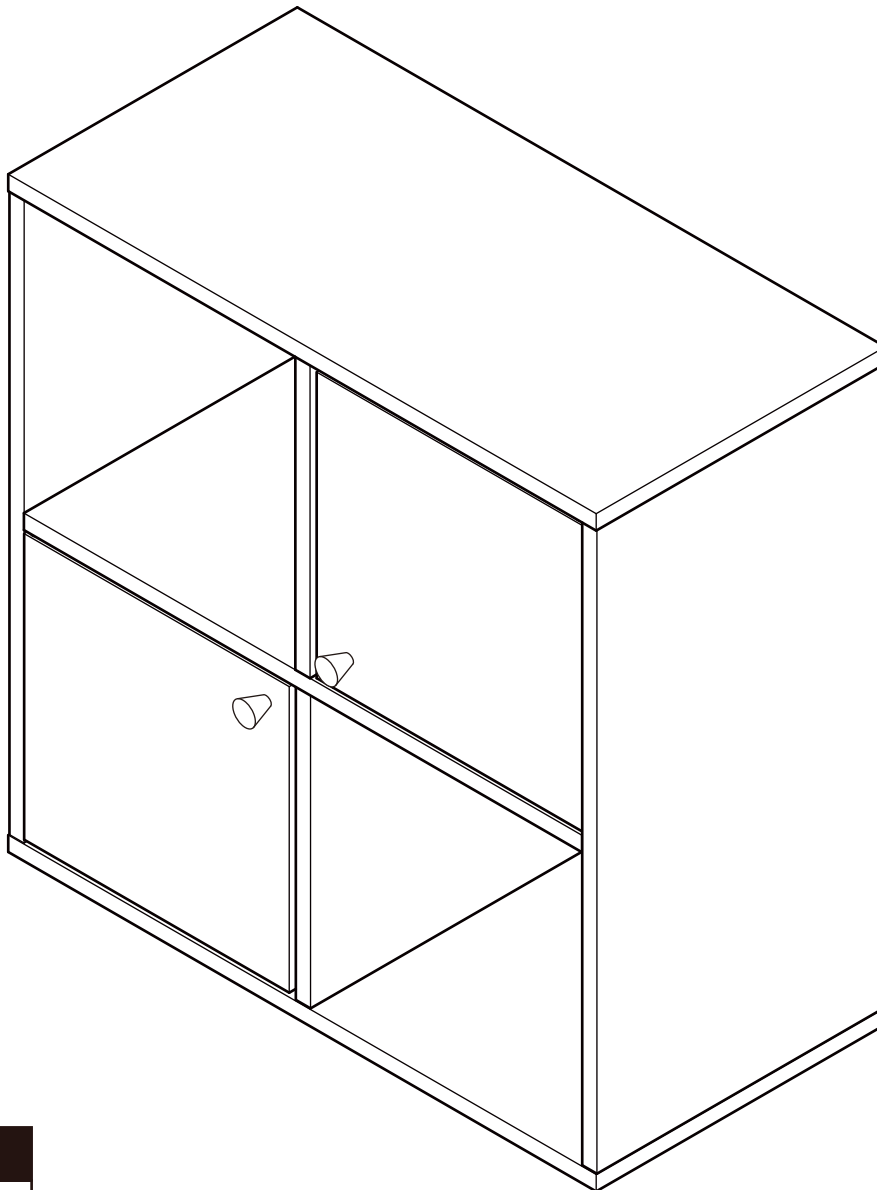
609/0069

609/2610

610/8937

413/6815

414/1941



Dimensions

Width - 60cm

Depth - 30cm

Height - 60cm

Important - Please read these instructions fully before starting assembly

If you need help or have damaged or missing parts, call the **Customer Helpline:**
Argos = 0345 6400800



Safety and Care Advice

Important – Please read these instructions fully before starting assembly

- Check you have all the components and tools listed on the following pages.
- Remove all fittings from the plastic bags and separate them into their groups.
- Keep children and animals away from the work area, small parts could choke if swallowed.
- Make sure you have enough space to layout the parts before starting.

- During assembly do not stand or put weight on the product, this could cause damage.
- Assemble the item as close to its final position (in the same room) as possible.
- Assemble on a soft level surface to avoid damaging the unit or your floor.
- Parts of the assembly will be easier with 2 people.



- To reduce the likelihood of damaging your product please ensure that your power drill is set on a low torque setting.

Care and maintenance

- Only clean using a damp cloth and mild detergent, do not use bleach or abrasive cleaners.
- From time to time check that there are no loose screws on this unit.
- This product should not be discarded with household waste. Take to your local authority waste disposal centre.

Handy Hints

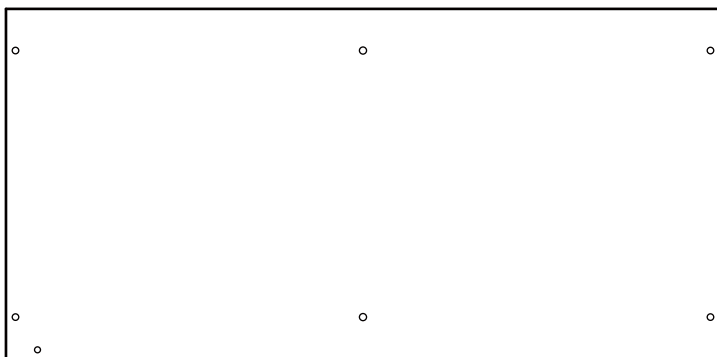
- Assemble all parts and bolts loosely during assembly, only once the product is complete should you fully tighten the bolts
- Regularly check and ensure that all bolts and fittings are tightend properly.

Note: if required the next page can be cut out and used as reference throughout the assembly. Keep this page with these instructions for future reference.

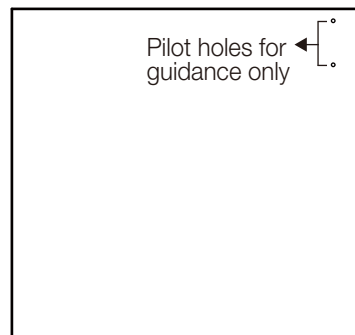
Components - Panels

If you have damaged or missing components, call the
Customer Helpline: Argos = 0345 6400800

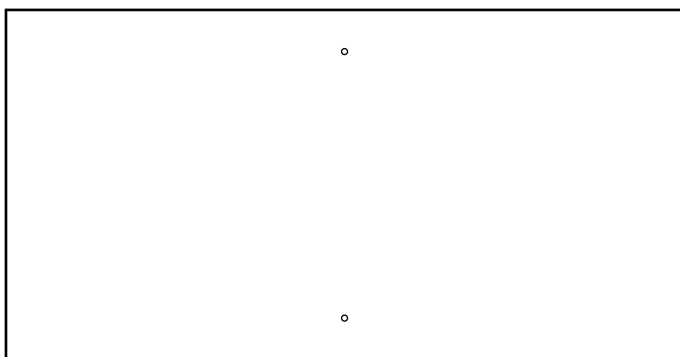
Please check you have all the panels listed below



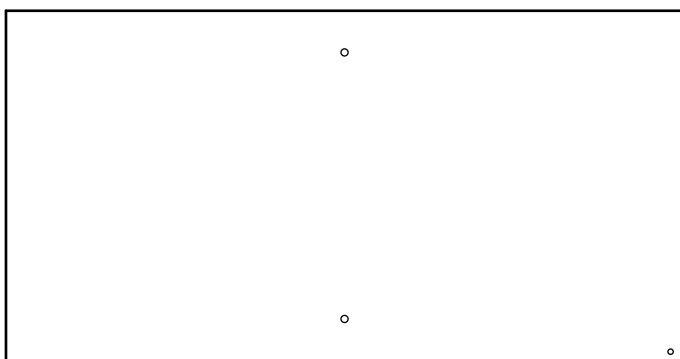
1 Top/Bottom panel x 2 (60 x 29.5cm)



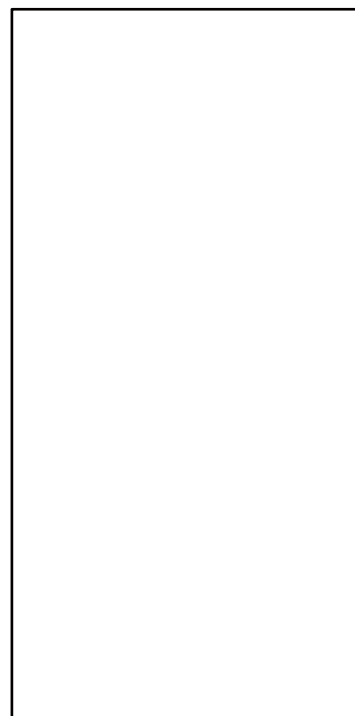
4 Vertical support x 2
(29.4 x 27.65cm)



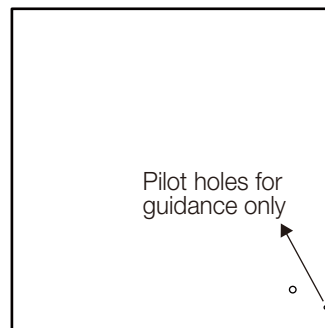
2 Side panel x 2 (56.9 x 29.4cm)



3 Shelf (56.9 x 29.4cm)



5 Back panel x 2
(29.5 x 59.6cm)







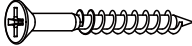
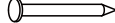

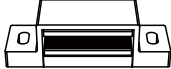
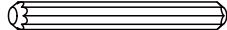


6 Door panel x 2
(27.1 x 27.1cm)



Components - Fittings

Please check you have all the fittings listed below

Note: The quantities below are the correct amount to complete the assembly. in some cases more fittings may be supplied than are required.

A  25mm Screw x 2	B  Handle x 2	C  Metal plate x 2
D  Door hinge x 4	E  40mm Screw x 8	F  Nail x 20
G  12mm Screw x 6	H  Door stopper x 2	I  50mm Dowel x 2
J  30mm Dowel x 8	K  Screw cover x 4	

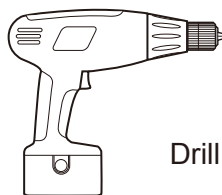
Tools required



Phillips screwdriver
(medium & large)



7mm Suitable drill bit
(for use with wall plug)



Drill



Small
hammer

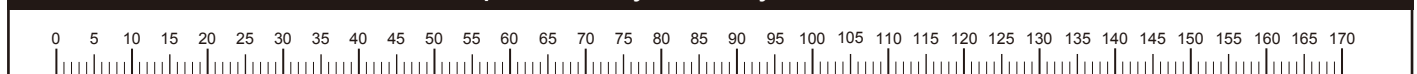


Ruler/tape
measure



Eye protection
(when using a
hammer or glue)

Ruler - Use this ruler to help correctly identify the screws



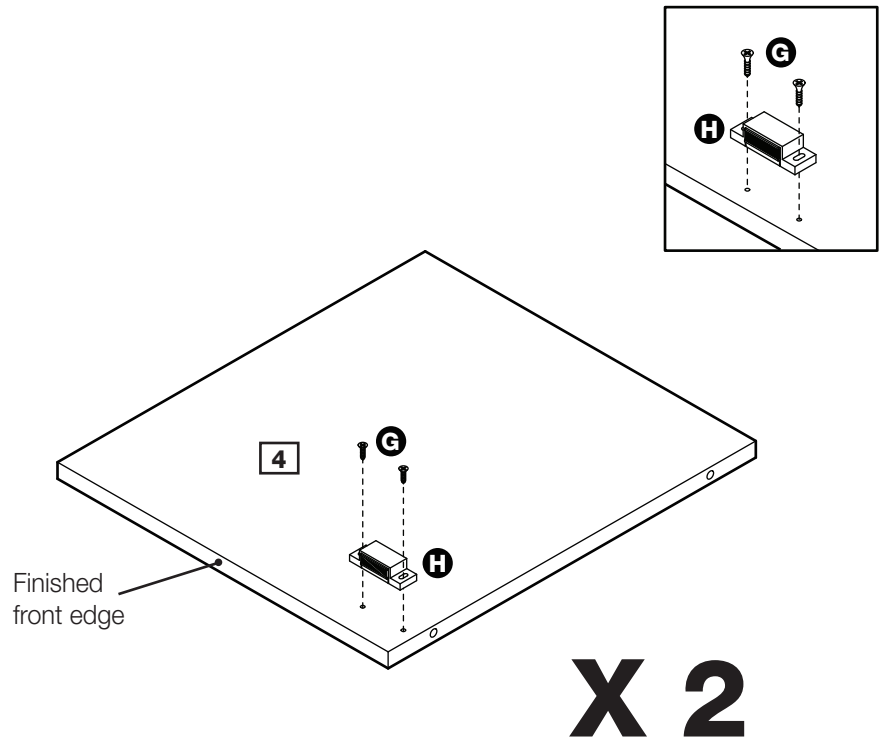
The screws length is measured from the head to the point (30mm screw shown).

Assembly Instructions

Step 1

Attaching door stoppers

Use Screws **G** to fix the Door stoppers **H** onto the Vertical supports **4**.

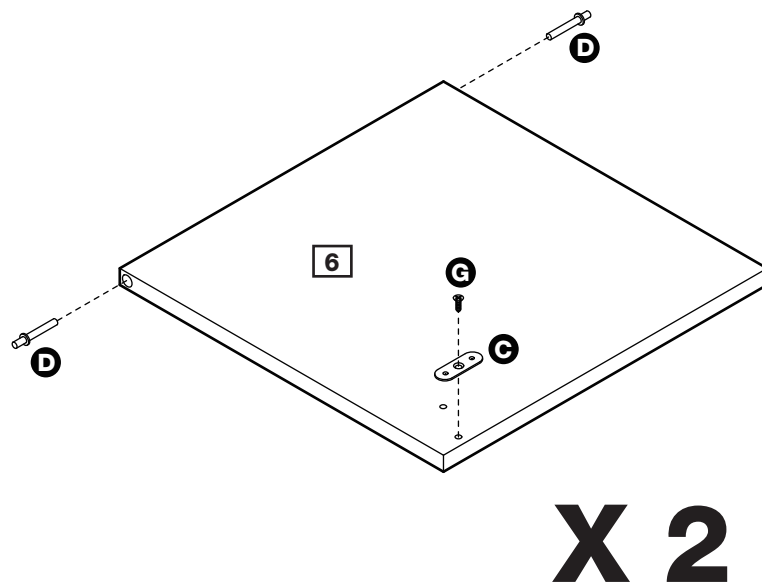


Step 2

Attaching metal plates & door hinges

Use Screws **G** to fix the Metal plates **C** onto the Door panels **6**.

Insert the Door hinges **D** into the Door panels **6**.



Assembly Instructions

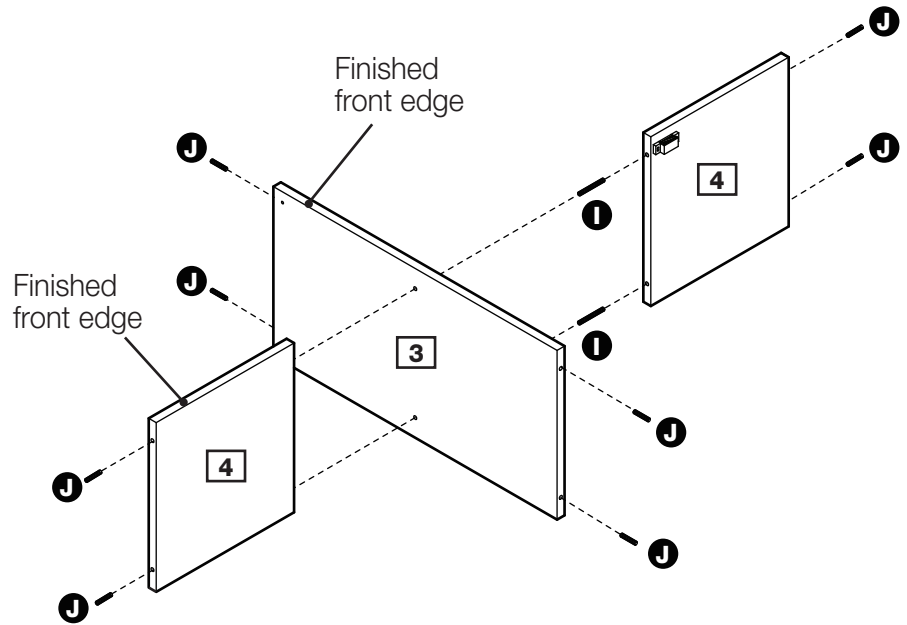
Step 3

Attaching the side panels

a: Insert Dowels **J** into the Shelf **3** and Vertical supports **4**.

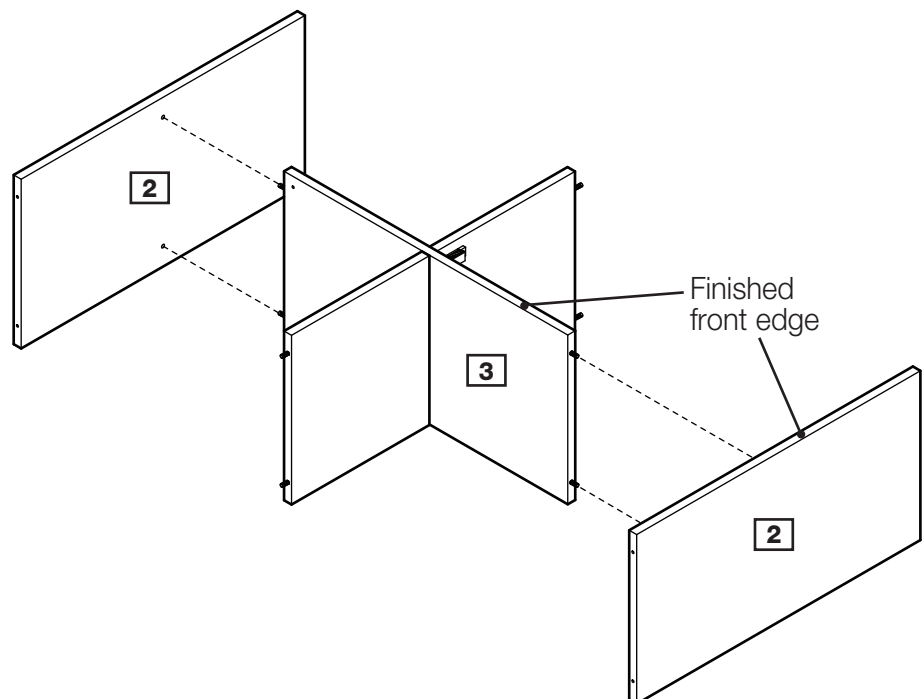
Use Dowels **I** to fix the Vertical supports **4** onto the Shelf **3**.

a:



b: Fix the Side panels **2** onto the Shelf **3**.

b:



Assembly Instructions

Step 4

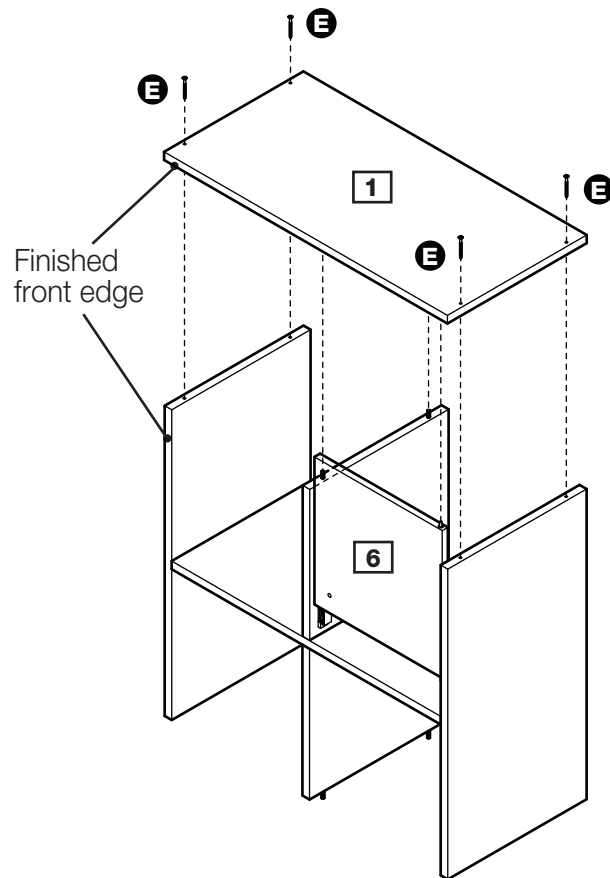
Attaching the door panels

a: Carefully locate the Door panel **6** onto the unit, aligning the Door hinges with the corresponding holes.

Use Screws **E** to fix the Bottom panel **1** onto the unit.

Note: Ensure the Door hinges are aligned with the corresponding holes.

a:

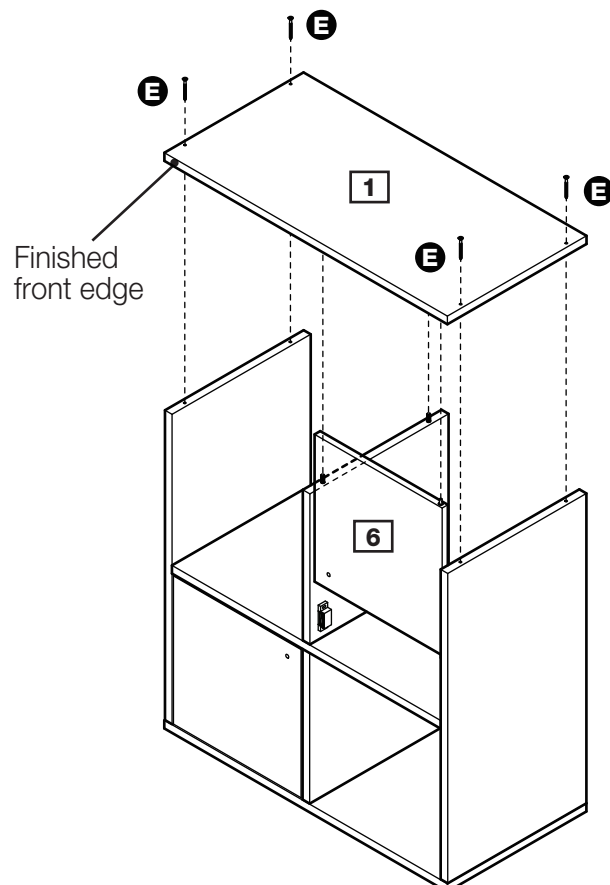


b:

b: Carefully locate the Door panel **6** onto the unit, aligning the Door hinges with the corresponding holes.

Use Screws **E** to fix the Top panel **1** onto the unit.

Note: Ensure the Door hinges are aligned with the corresponding holes.



Assembly Instructions

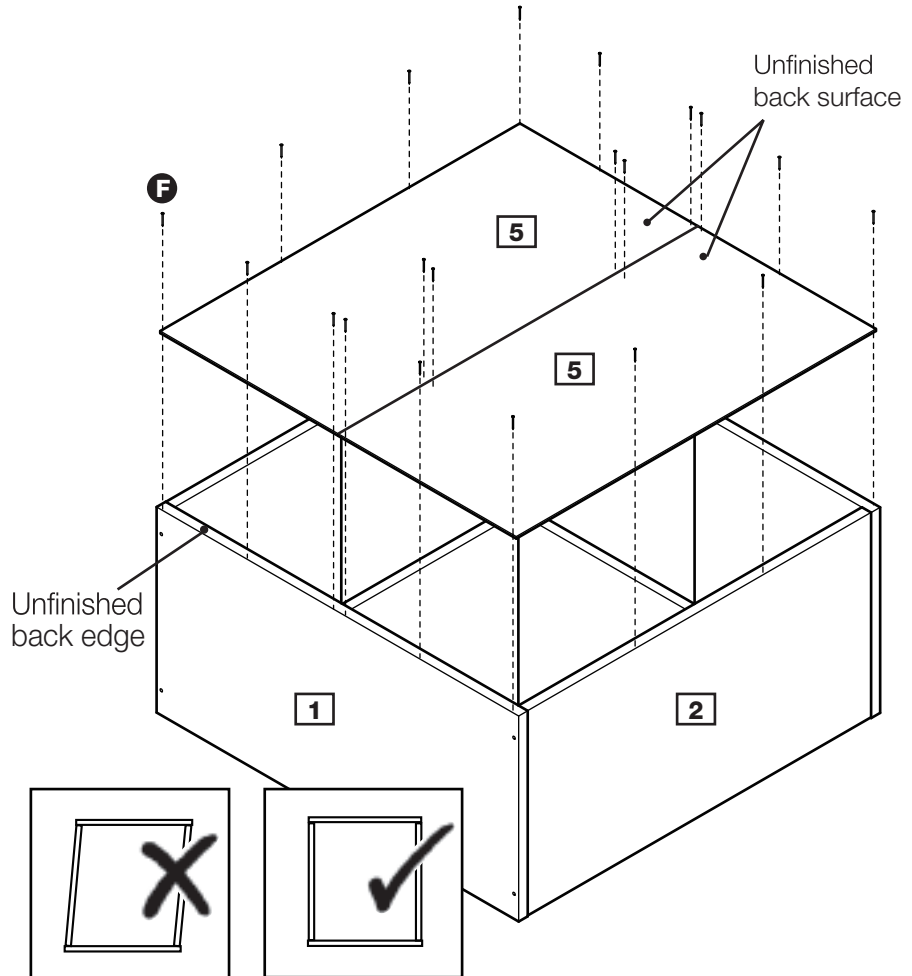
Step 5

Fixing back panel

Attach Back panels **5** onto the unit using Nails **F**.



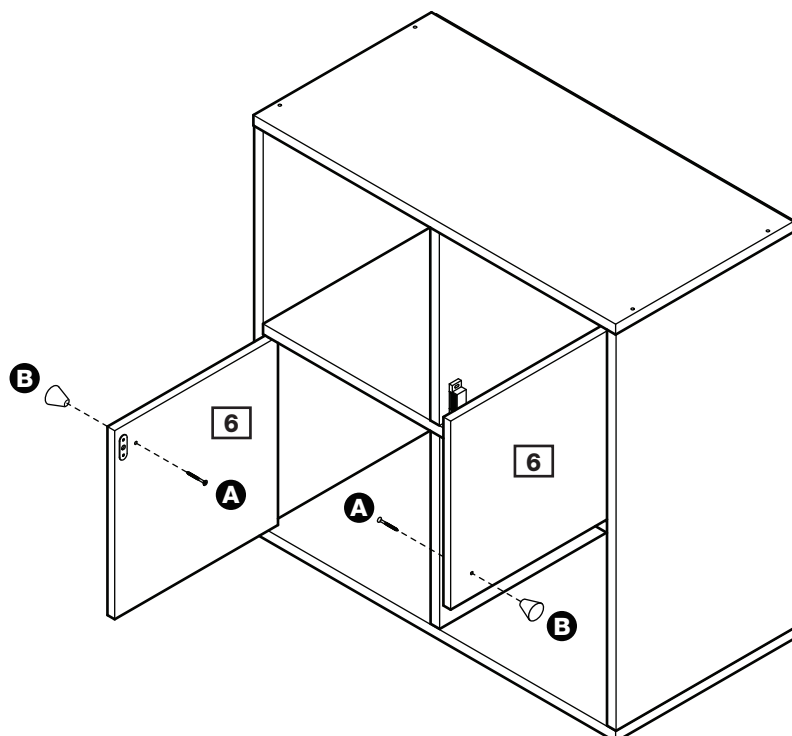
Important:
The unit **MUST** be 'square' when back is attached.



Step 6

Attaching the handles

Use Screws **A** to fix the Handles **B** onto the Door panels **6**.

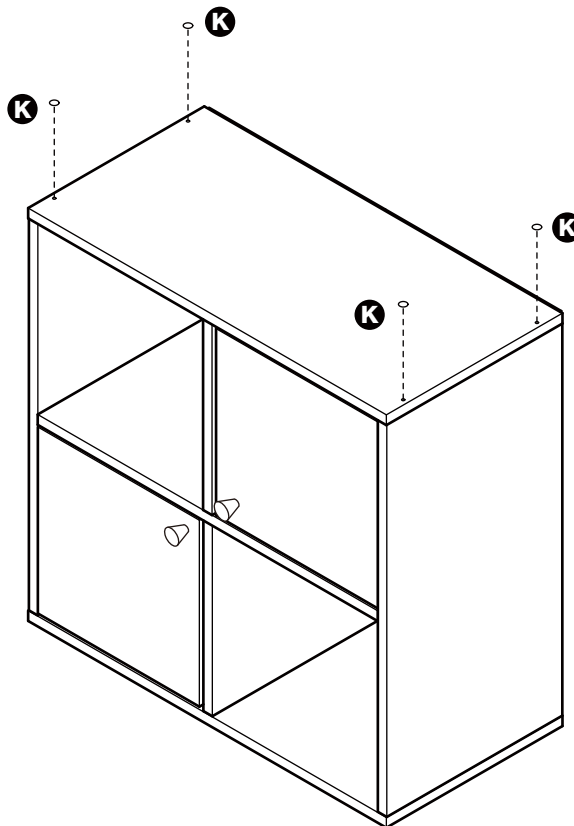


Assembly Instructions

Step 7

Attaching the screw covers

Use Screw covers **K** to cover the screw heads.

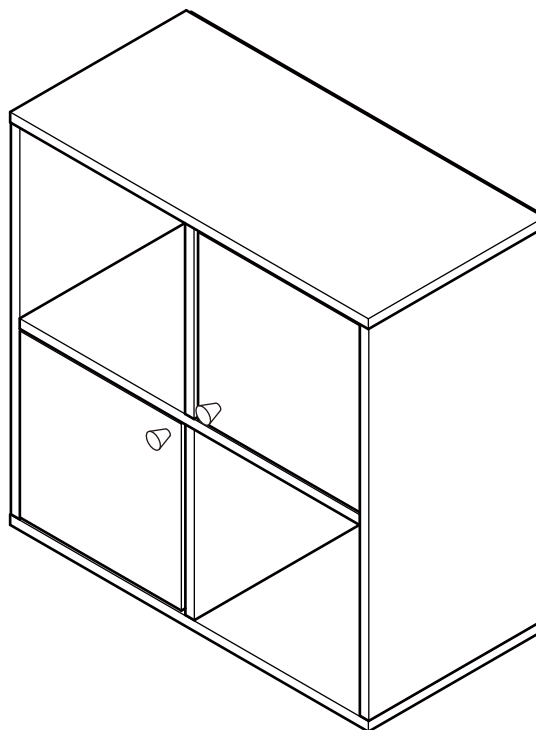


Step 8

Finishing the unit

Note: It would be useful to ask someone to help you at the stage.

With help, place the unit in the intended position.



Assembly is complete.

If you need help or have damaged or missing parts, call the **Customer Helpline:**
Argos = 0345 6400800