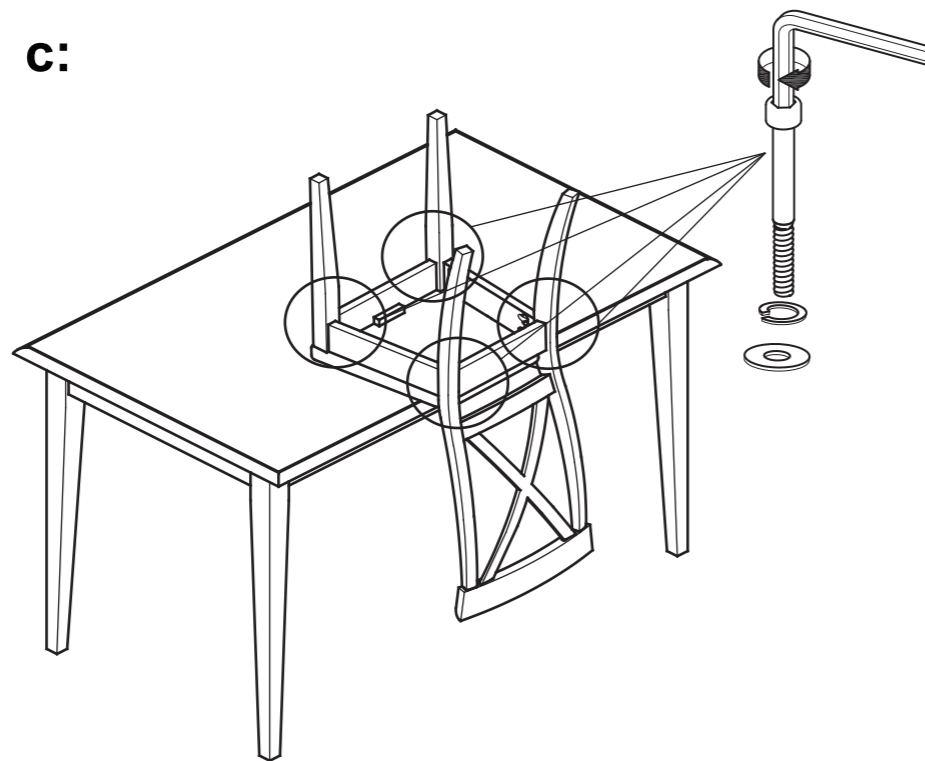
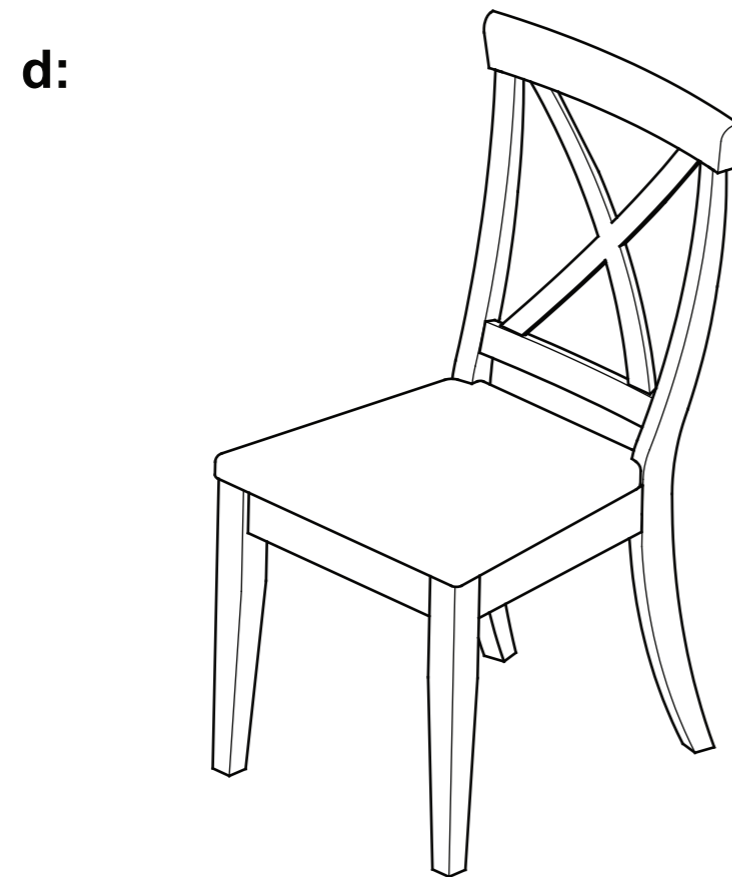


Assembly Instructions

c: After the sitting test, re - tighten bolts again, if any adjustment needed.



d: It is highly recommend to re - tighten all the bolts again after using the chair for 7 days.



Note : Please keep the allen key to re - tighten all bolts again when required.

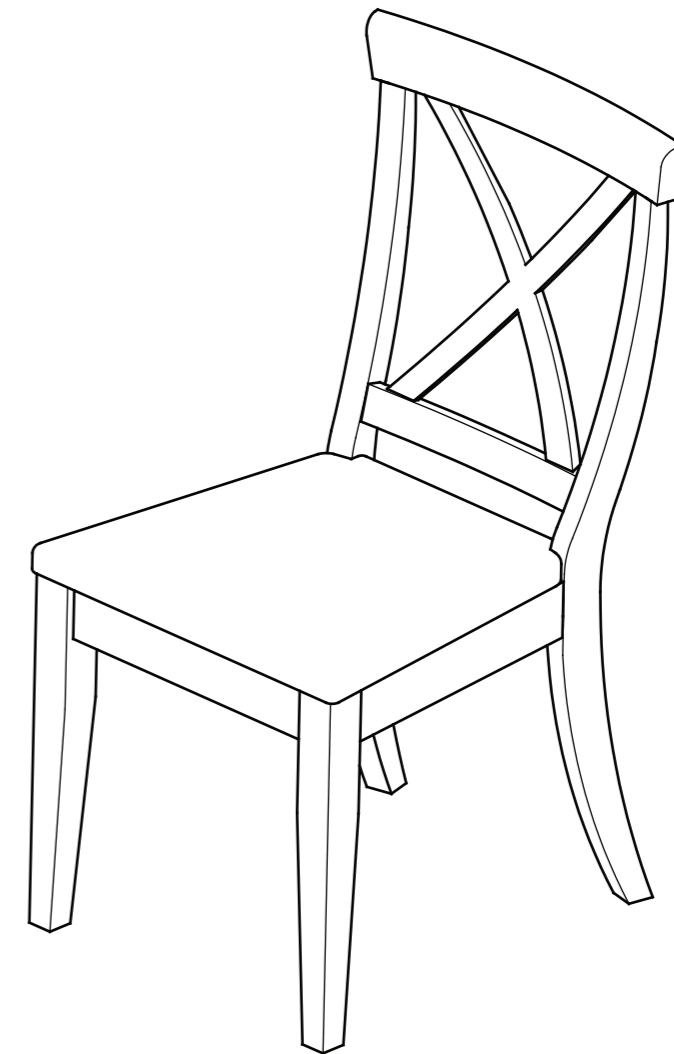
Assembly is complete.

If you need help or have damaged or missing parts, call the **Customer Helpline:**
Argos = 0345 6400800

French southwold chair

Assembly Instructions - Please keep for future reference

606/9942



Dimensions

Width - 45cm
Depth - 55cm
Height - 92cm

Important - Please read these instructions fully before starting assembly

If you need help or have damaged or missing parts, call the **Customer Helpline:**
Argos = 0345 640 0800

! Safety and Care Advice

Important – Please read these instructions fully before starting assembly

- Check you have all the components and tools listed on page 2 and 3.

- Remove all fittings from the plastic bags and separate them into their groups.

- Keep children and animals away from the work area, small parts could choke if swallowed.

- Make sure you have enough space to layout the parts before starting.

- Do not stand or put weight on the product during assembly, this could cause damage.

- Assemble the item as close to its final position (in the same room) as possible.

- Assemble on a soft level surface to avoid damaging the unit or your floor.

- Parts of the assembly will be easier with 2 people.

- Do not stand on the chair.

- Do not use the chair as step ladder



- To reduce the likelihood of damaging your product please ensure that your power drill is set on a low torque setting.

- Dispose of all packaging carefully and responsibly.

- Maximum safe weight of user: 110 Kgs.

Care and maintenance

- Only clean using a damp cloth and mild detergent, do not use bleach or abrasive cleaners.

- From time to time check that there are no loose screws on this unit.

- This product should not be discarded with household waste. Take to your local authority waste disposal centre.

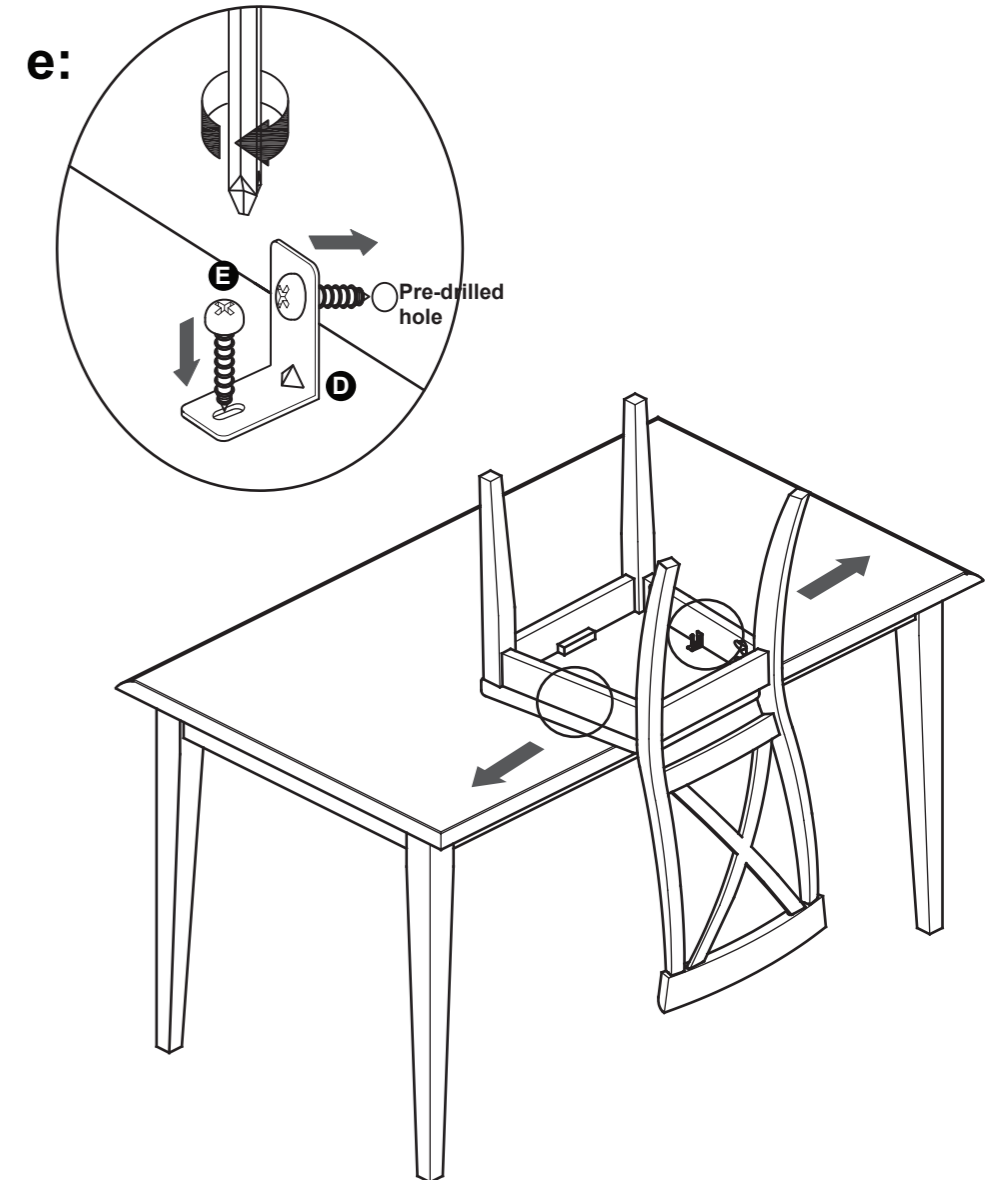
Handy Hints

- Assemble all parts and bolts loosely during assembly, only once the product is complete should you fully tighten the bolts.

- Regularly check and ensure that all bolts and fittings are tightened properly.

Assembly Instructions

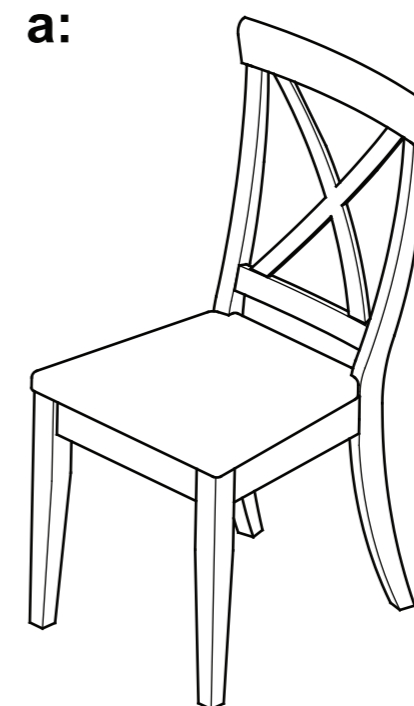
e: Screw **E** the lock seats **D** with hand screw driver by following the pre drilled holes.



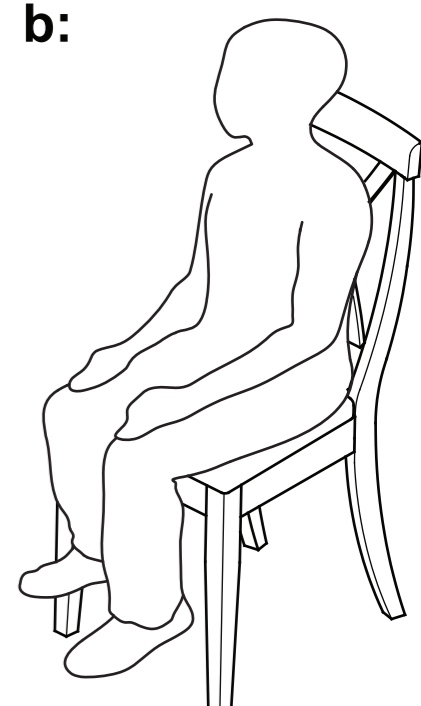
Step 2

Note : Stand the chair on a level floor.

a: Tighten all bolts.

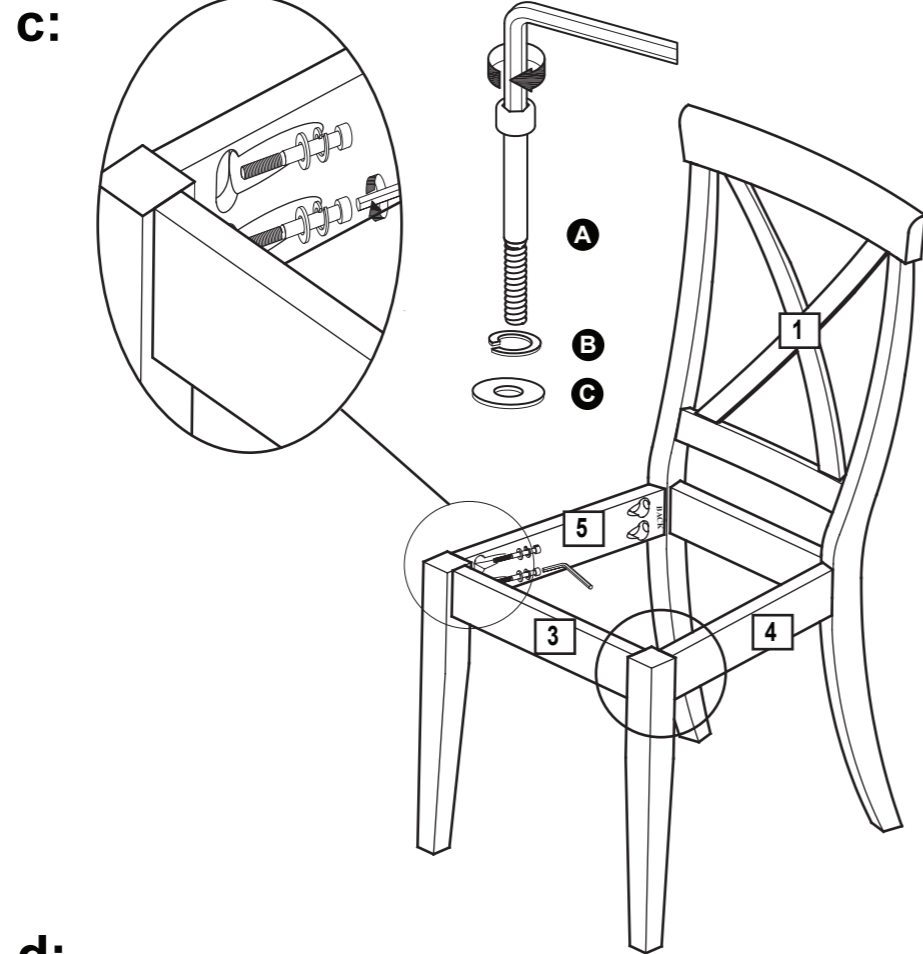


b: Sit on the chair to the legs.

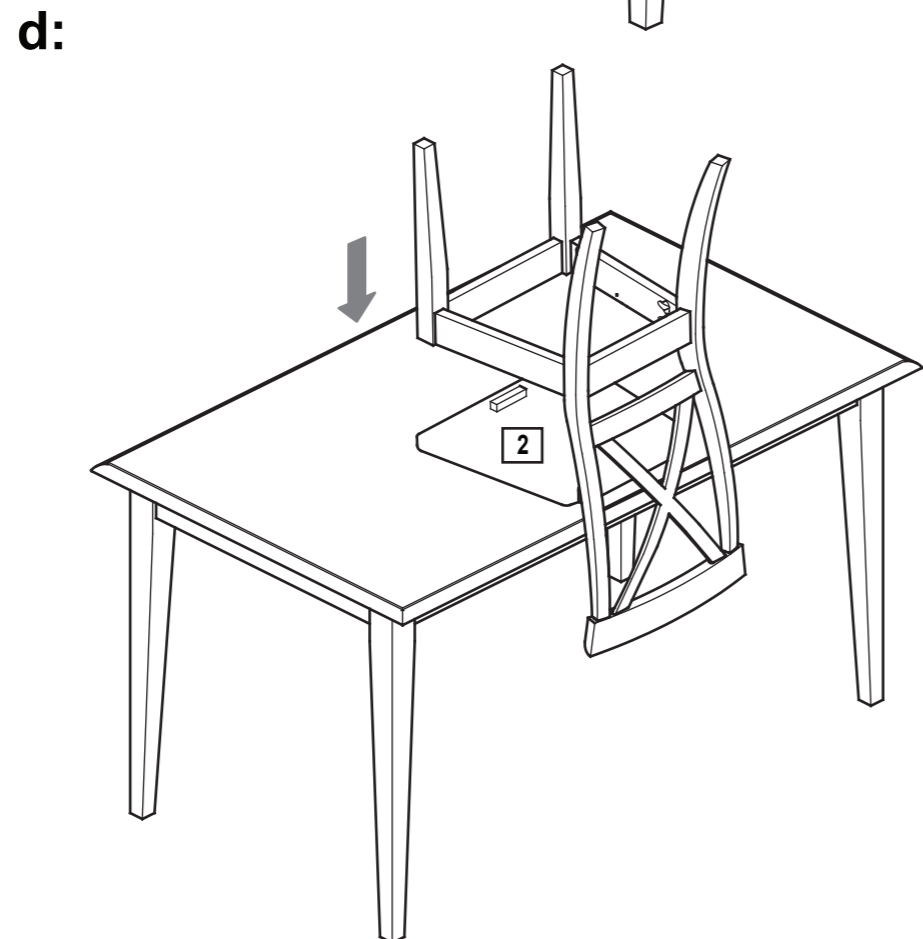


Assembly Instructions

c: Stand the chair on a floor. Insert bolts **A** with spring washers **B** and washers **C** through side rails holes into front leg frame **3** screw all bolts by using ball allenkey **F**.



d: Place the seat pad **2** on the table. Put the chair frame on top of the seat back.

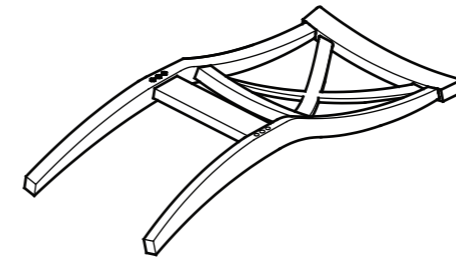


Components - Parts

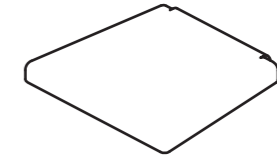
If you have damaged or missing components, call the Customer Helpline: Argos = 0345 6400800

Please check you have all the parts listed below

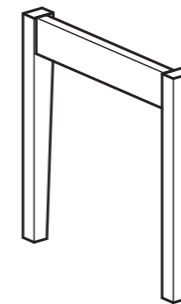
Note: The quantities below are the correct amount to complete the assembly of 1 chair.



1 Chair back x 1



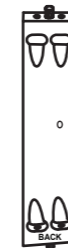
2 Seat x 1



3 Front leg frame x 1



4 Right side rail x 1

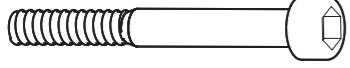







5 Left side rail x 1

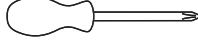
Components - Fittings

Please check you have all the fittings listed below

Note: The quantities below are the correct amount to complete the assembly of 1 chair. In some cases more fittings may be supplied than are required.


| | | |
|--|---|---|
| A  50 mm Bolt x 8 | B  Spring washer x 8 | C  Washer x 8 |
| D  Lock seat x 2 | E  19 mm Screw x 4 | F  Ball allenkey x 1 |

Tools required

 Phillips screwdriver (medium & large)

Ruler - Use this ruler to help correctly identify the screws

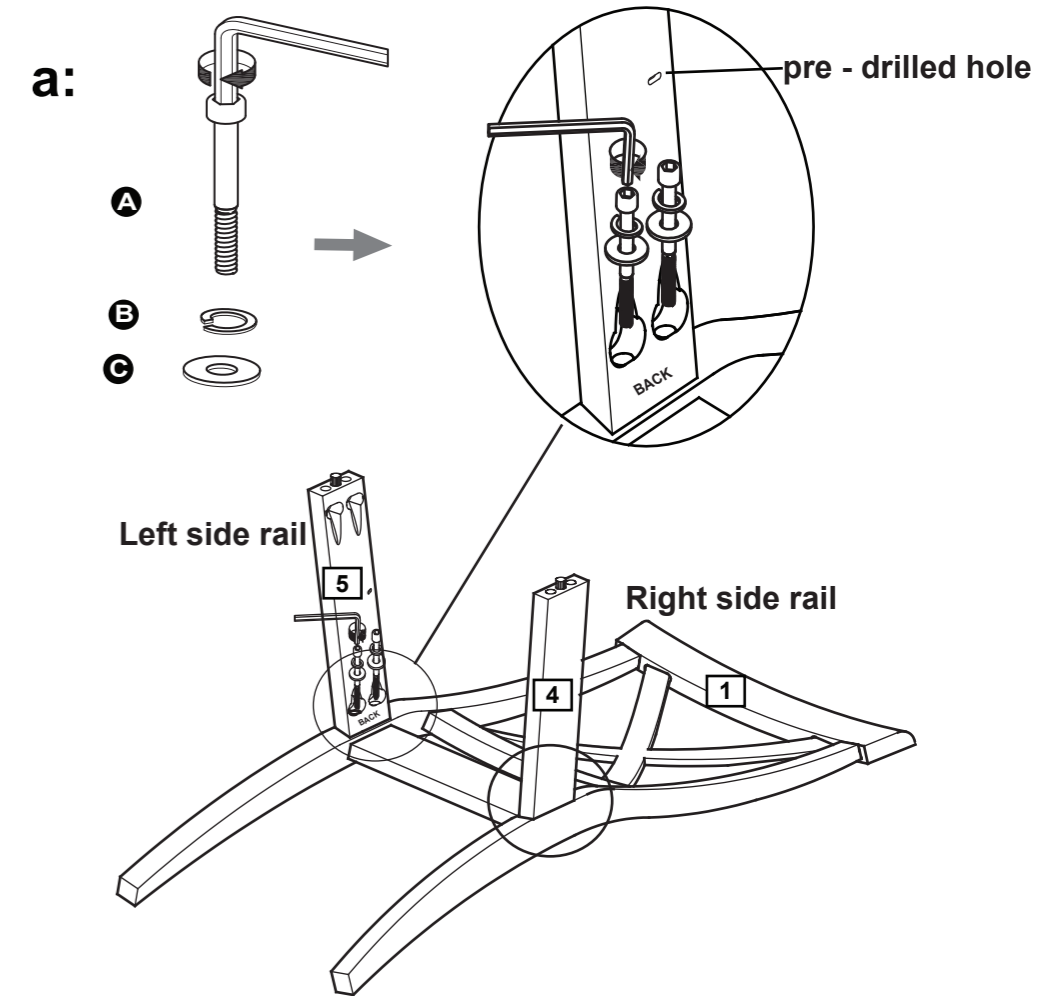


 The screws length is measured from the head to the point (30mm screw shown).

Assembly Instructions

Step 1

a: Put left side rail **5** into left side hole of the chair back **1** and right side rail **4** into right side hole. Insert bolt **A** with spring washers **B** and washers **C** through side rails holes into the chair backs. Screw all bolts by using ball allenkey **F**.



Do not fully tighten.

b: Fit the front leg frame **3** onto the right and left side rails **4** **5**.

