

# MID BACK GAMING CHAIR BLK

Assembly Instructions - Please keep for future reference

608/8734

**H O**  
**M E**  
**BY ARGOS**



## Dimensions

Width-54cm  
Depth-62cm  
Height-95.5-107cm

**Important – Please read these instructions fully before starting assembly**

If you need help or have damaged or missing parts, call the Argos Aftersales Helpline 0345 640 0800



# Safety and Care Advice

**Important** – Please read these instructions fully before starting assembly

- Check you have all the components and tools listed on pages 3 and 4.
- Remove all fittings from the plastic bags and separate them into their groups.
- Keep children and animals away from the work area, small parts could choke if swallowed.
- Make sure you have enough space to layout the parts before starting.

- Do not stand or put weight on the product during assembly, this could cause damage.
- Assemble the item as close to its final position (in the same room) as possible.
- Assemble on a soft level surface to avoid damaging the unit or your floor.
- Parts of the assembly will be easier with 2 people.



- We do not recommend the use of power drill/drivers **for inserting screws**, as this could damage the unit. Only use hand screwdrivers.
- Dispose of all packaging carefully and responsibly.

## Care and maintenance

- From time to time check that there are no loose screws on this unit.
- This product should not be discarded with household waste. Take to your local authority waste disposal centre.
- To avoid any risk of suffocation to animals or children dispose of the plastic bags immediately.
- As with all surfaces clean with a damp cloth and mild detergent, do not use bleach or abrasive products.

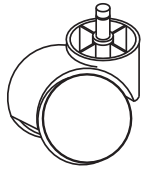
## Safety during use

- Do not stand on this chair. Do not use this chair as a step ladder.
- Use this product only for seating one person at a time.
- Do not use this chair unless all bolts, screws and knobs are firmly secured.
- At least every 4 months, check all bolts, screws and knobs, to be sure they are tight.
- If parts are missing, broken or damaged or worn, stop use of this product until repairs are made & using factory authorized parts.
- Failure to follow these warnings could result in serious injury.

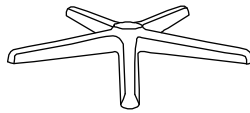
**Note:** if required the next page can be cut out and used as reference throughout the assembly. Keep this page with these instructions for future reference.

# Components - Parts

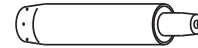
Please check you have all the parts listed below



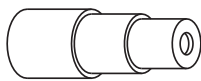
**1** Castors X5



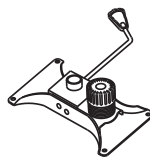
**2** Base X1



**3** Gas lift X1(120MM)



**4** Gas lift cover X1



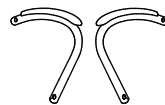
**5** Seat plate X1



**6** Backrest X1



**7** Seat X1









**8** Armrest X2

# Components - Fittings

If you need help or have damaged or missing parts, call the Argos Aftersales Helpline 0345 640 0800

Please check you have all the fittings listed below.

**Note:** The quantities below are the correct amount to complete the assembly.  
In some cases more fittings may be supplied than are required.

<b>A</b>  M6*20mmL*4	<b>B</b>  M8*30mmL*4	<b>C</b>  M8*35mmL*4
<b>D</b>  Φ6*Φ18mmL*4	<b>E</b>  Φ8*Φ18mmL*4	<b>F</b>  *4

## Tools required



M6 Allen key (supplied)

Ruler - Use this ruler to help correctly identify the screws



# Assembly Instructions

## Step 1

### Fitting the base

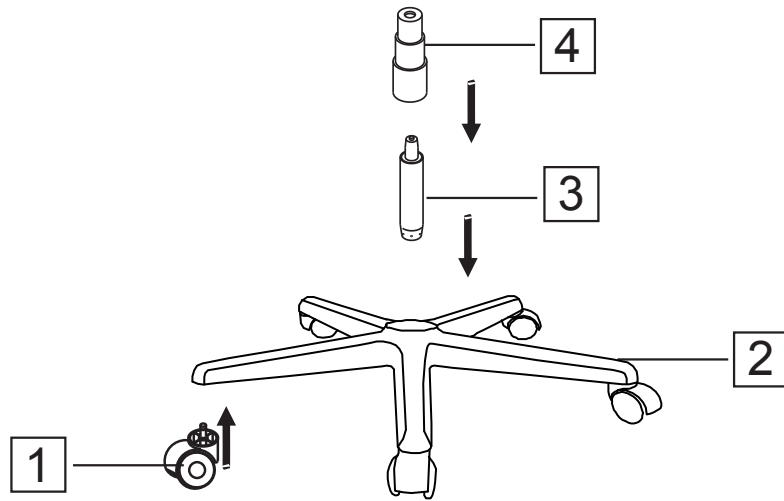
**a:** Push all the five castors **1** into the underside of the base **2**.

**NOTE:** Ensure all the castors are firmly located on the base.

**b:** Insert the gas lift **3** into the base **2**.

**c:** Put the gas lift cover **4** on the gas lift **3**.

**NOTE:** Ensure the gas lift is fully inserted and well fitted.

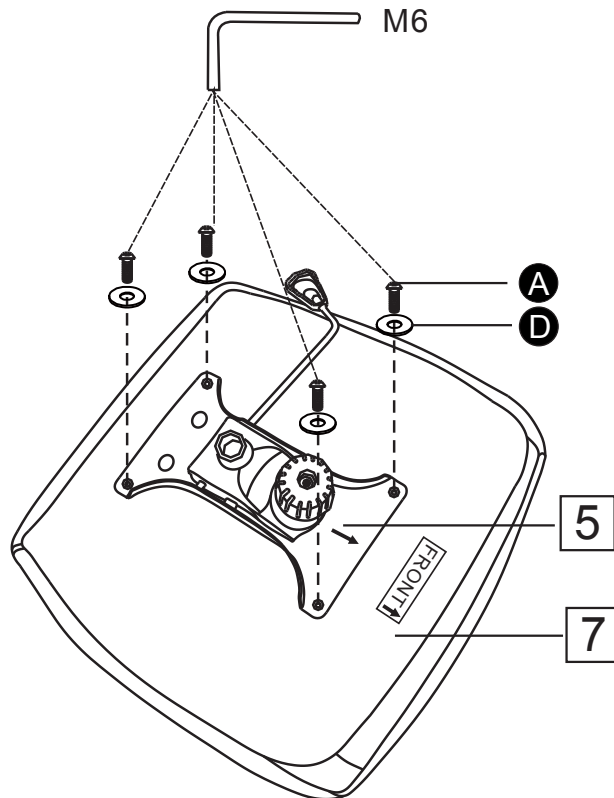


## Step 2

### Fitting the Seat Cushion

Use bolts **A** with washer **D** to fix the seat plate **5** onto the seat **7**.

**NOTE:** It would be useful to ask someone to help you at this stage.

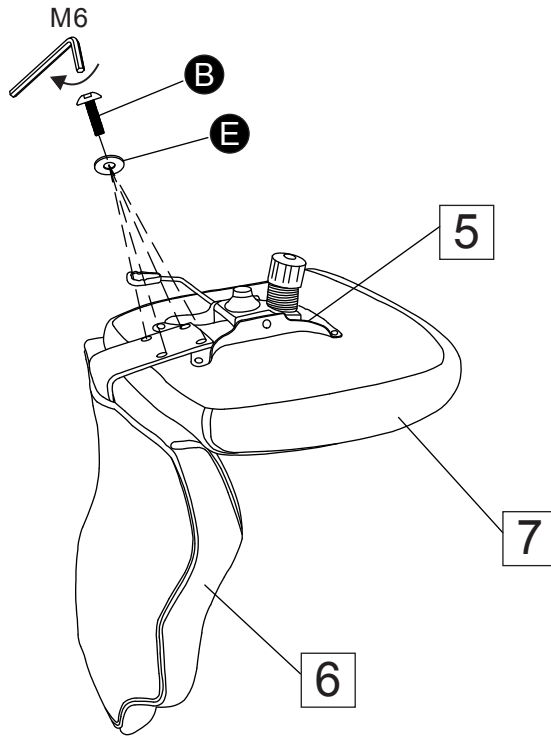


# Assembly Instructions

## Step 3

### Fitting the backrest with seat

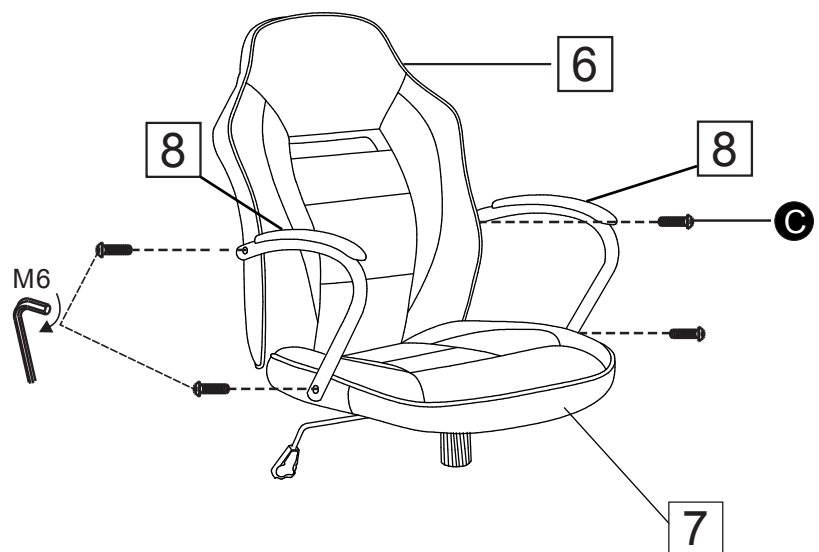
Use bolts **B** with washer **E** to fix the back **6** onto the seat plate **5**



## Step 4

### Fitting the armrest

Flip the armrest up and use bolts **C** to fix the armrest **8** on backrest **6** and seat **7**

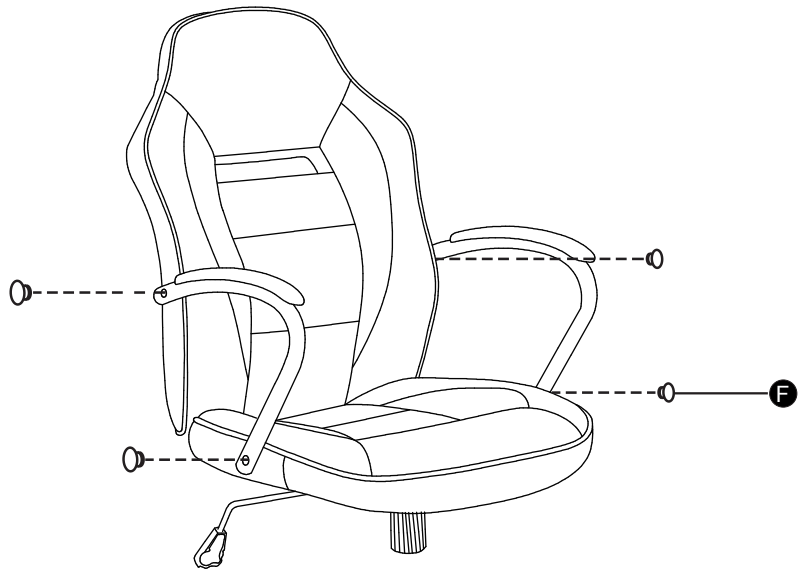


# Assembly Instructions

## Step 5

### Fitting the armrest screw cap

Put the cap **F** into the hole of armrest **8**



## Step 6

### Fitting the Unit

Carefully locate the seat **7** onto the base unit.

**Note:** adding M6 Allen key is to help customer to prevent armrest loosen.



# Assembly Instructions

## Step 7

### Finishing the Unit

Carefully place the unit in the desired location.

**Assembly is complete.**



If you need help or have damaged or missing parts, call the Argos Aftersales Helpline 0345 640 0800  
489-499 Avebury Boulevard Milton Keynes Mk9 2NW, Argos Limited