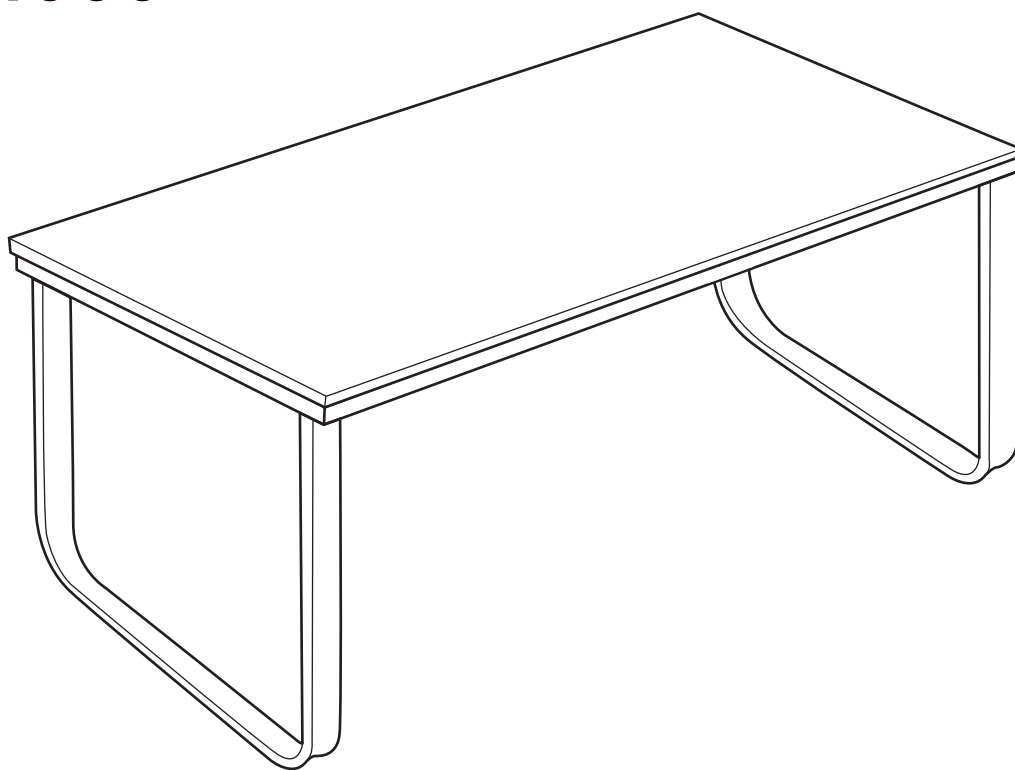


Rainbow Coffee Table

Assembly Instructions - Please keep for future reference

6086994

H O
M E
BY ARGOS



Dimensions

Length - 104cm

Width - 55cm

Height - 45cm

Important - Please read these instructions fully before starting assembly

If you need help or have damaged or missing parts, call the **Customer Helpline:**
Argos = 0345 640 0800



Safety and Care Advice

Important - Please read these instructions fully before starting assembly

- Check you have all the components and tools listed on the following pages.
- Remove all fittings from the plastic bags and separate them into their groups.
- Keep children and animals away from the work area, small parts could choke if swallowed.
- Make sure you have enough space to layout the parts before starting.

- During assembly do not stand or put weight on the product, this could cause damage.
- Assemble the item as close to its final position (in the same room) as possible.
- Assemble on a soft level surface to avoid damaging the unit or your floor.
- Parts of the assembly will be easier with 2 people.



• We do not recommend the use of power drill/drivers **for inserting screws**, as this could damage the unit. Only use hand screwdrivers.

- Unit weight: 11.4 kgs.

Care and maintenance

- Only clean using a damp cloth and mild detergent, do not use bleach or abrasive cleaners.
- From time to time check that there are no loose screws on this unit.
- Do not stand on the product.
- Always lift the product when moving it around. Never drag.
- This product should not be discarded with household waste. Take to your local authority waste disposal centre.

Handy Hints

- Assemble all parts and bolts loosely during assembly, only once the product is complete should you fully tighten the bolts.
- Regularly check and ensure that all bolts and fittings are tightened properly.

Glass Safety

- Keep these instruction for future reference.
- Imported by:
Arogs ltd
489-499 Avebury Boulevard.
Saxon Gate West.
Central Milton Keynes.
- If the glass is chipped or broken, stop using the product and consult the Manufacturer or Supplier.
- Batch No:
Mk92nw
- Date of Manufre:
- Type of glass used: 6 mm toughened glass

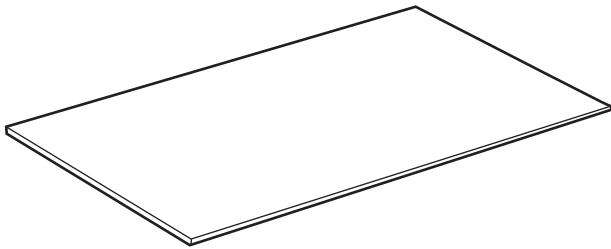
Warnings

- (a) Do not place very hot or very cold items on the glass surface(s) unless adequately thick mats are used to prevent such items from coming into contact with the glass.
- (b) Do not sit or stand upon the glass surface.
- (c) Do not use the glass as a chopping surface. Do not strike the glass with hard or pointed items.
- (d) When cleaning glass panels use a damp cloth or leather with washing up liquid or soft soap if necessary, do not us washing powders or any other substance containning abrasives since these substances cscratch glass.

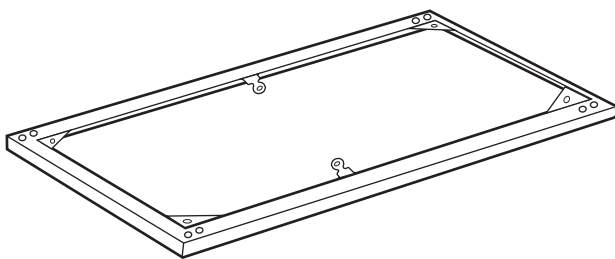
Components - Parts

If you have damaged or missing components, call the
Customer Helpline: Argos = 0345 640 0800

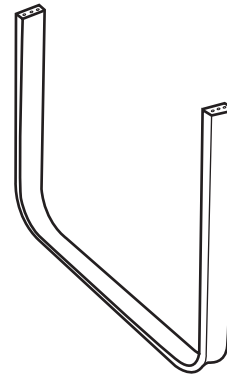
Please check you have all the parts listed below



1 Glass Top
(104 x 55 x 0.6cm)



2 Top Frame
(103.5x 54.5 x 1.5cm)



3 Leg x 2
(54.5 x 43 x 3.8cm)

Components - Fittings

Please check you have all the fittings listed below

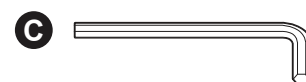
Note: The quantities below are the correct amount to complete the assembly. In some cases more fittings may be supplied than are required.



M6 x 25 mm Bolt x 8



Plastic suction cup x 6



Allen Key x 1

Ruler - Use this ruler to help correctly identify the screws



Assembly Instructions

Step 1

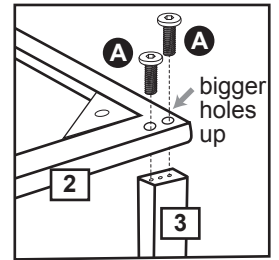
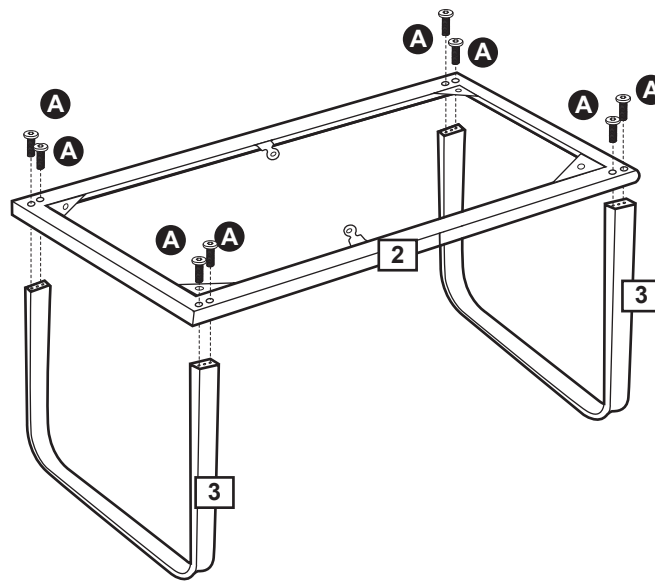
Attaching legs

Position the top frame **2** on the legs **3** as shown and fix through holes using bolts **A**. Tighten bolts using allen key **C**.



Note:

Make sure to position the top frame **2** with the bigger fixing hole on top.

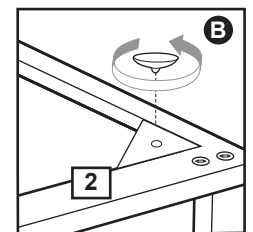
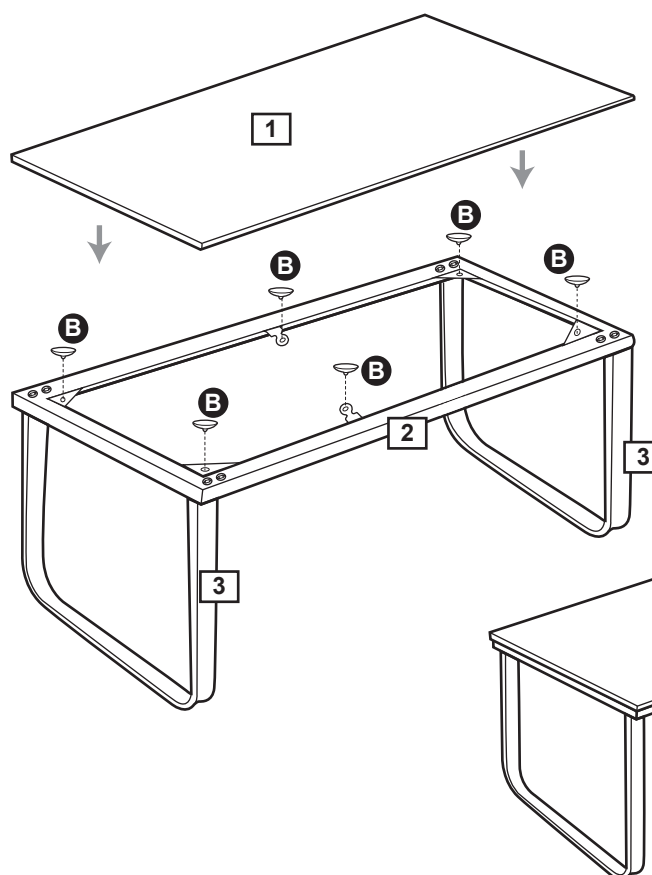


Step 2

Attaching table top

Attach the plastic suction cup **B** into holes on the top frame **2** then push and turn it to secure.

Carefully put the glass top **1** on the top frame **2**.



Note: Attach the plastic suction cup **B** into holes on the top frame **2** then push and turn it to secure.

Assembly is complete.

If you need help or have damaged or missing parts, call the **Customer Helpline:**
Argos = 0345 640 0800