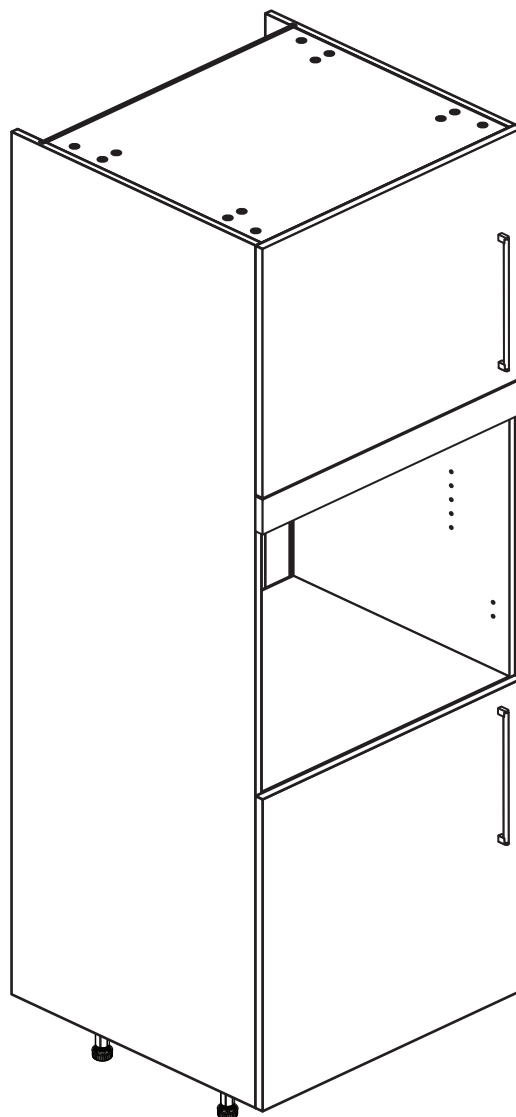


Valencia - Tall Appliance Cabinet

Assembly Instructions - Please keep for future reference

hygena

Cabinet	656/5824
Black Door Pack	633/3733
Cream Door Pack	633/3757
Oak Door Pack	204/9533
White Gloss Door Pack	633/3740
White HN Door Pack	204/7786



Dimensions

Width - 60cm

Depth - 59cm

Height - 213cm



**MADE IN
BRITAIN**

Important - Please read these instructions fully before starting assembly

If you need help or have damaged or missing parts, call the **Customer Helpline: 08456 400800**



Safety and Care Advice

Important - Please read these instructions fully before starting assembly

- **Warning:** This unit weighs approximately 44kgs. Please lift with care.

- Check you have all the components and tools listed on pages 1, 2 and 3.

- Remove all fittings from the plastic bags and separate them into their groups.

- Keep children and animals away from the work area, small parts could choke if swallowed.

- Parts of the assembly will be easier with 2 people.

- Make sure you have enough space to layout the parts before starting.

- Do not stand or put weight on the product, this could cause damage.

- Assemble the item as close to its final position (in the same room) as possible.

- Assemble on a soft level surface to avoid damaging the unit or your floor (use opened out unit carton).



- We do not recommend the use of power drill/drivers **for inserting screws**, as this could damage the unit. Only use hand screwdrivers.

- **Safety note:** It is recommended that this unit is secured to a wall using the brackets supplied.

- Dispose of all packaging carefully and responsibly.

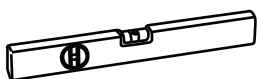
Care and maintenance

- Only clean using a damp cloth and mild detergent, do not use bleach or abrasive cleaners.

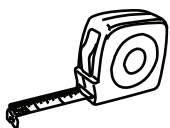
- From time to time check that there are no loose screws on this unit.

- This product should not be discarded with household waste. Take to your local authority waste disposal centre.

Tools required



Spirit level



Rule



Cross-head screwdriver



Scissors



Hammer



Eye protection (when using a hammer or drill)



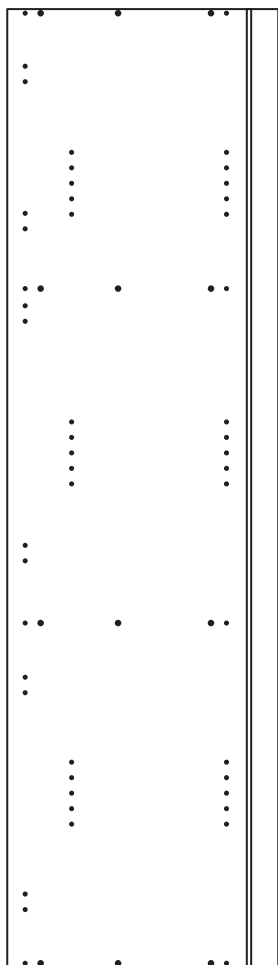
Electric drill

Note: If required the next page can be cut out and used as reference throughout the assembly. Keep this page with these instructions for future reference.

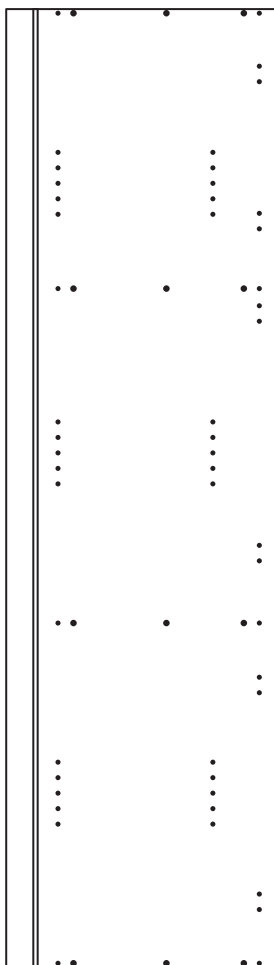
Components - Panels

If you have damaged or missing components, call the **Customer Helpline: 08456 400800** quoting the reference numbers below

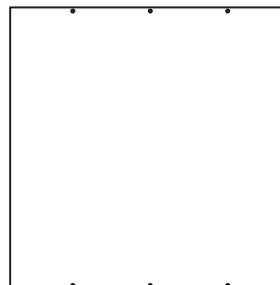
Please check you have all the panels listed below



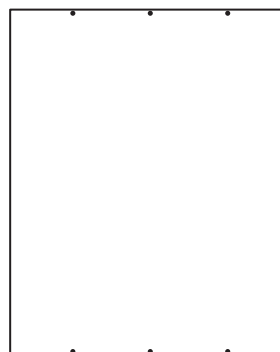
1 Left Side (DPF106A)
(1980 x 560mm)



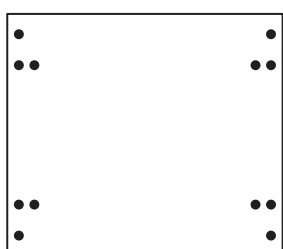
2 Right Side (DPF107A)
(1980 x 560mm)



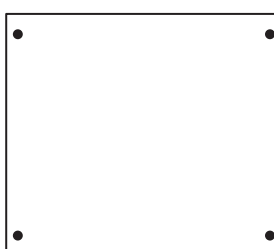
3 Upper Back (DPF110A)
(579 x 582mm)



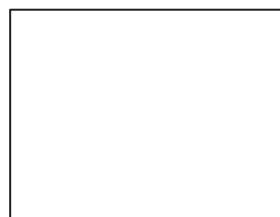
4 Lower Back (DPF111A)
(579 x 714mm)



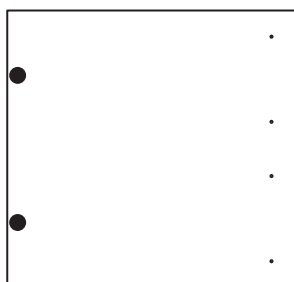
5 Top/Base (DPF078A)
(569 x 494mm) x 2



6 Fixed Shelf (DPF108A)
(569 x 494mm) x 2



7 Loose Shelf (DPF079A)
(568 x 431mm) x 2

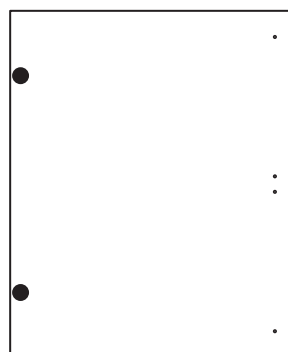


8 Drawerline Door (DPF150B)
(597 x 572mm)

NOTE: The front surface of the doors and fascia are protected with a peel-off film



9 Appliance Fascia (DPF154B)
(597 x 80mm)



10 Door (DPF148B)
(597 x 716mm)

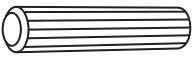
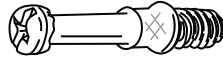




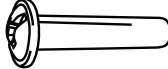

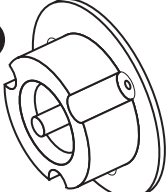
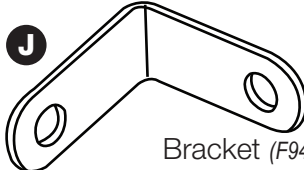

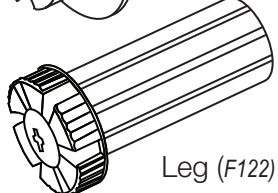

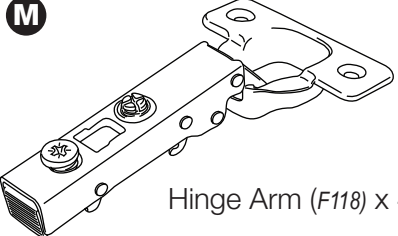
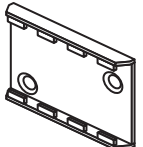
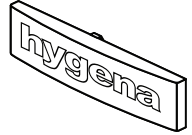

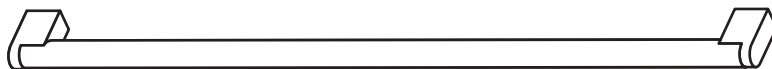




Components - Fittings

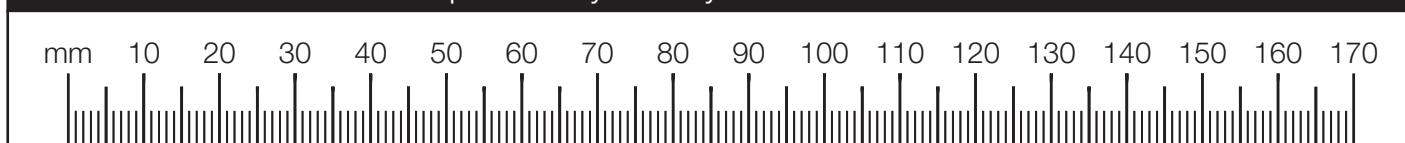
If you have damaged or missing components, call the **Customer Helpline: 08456 400800** quoting the reference numbers below

Please check you have all the fittings listed below

Note: The quantities below are the correct amount to complete the assembly. In some cases more fittings may be supplied than are required.

<p>A </p> <p>Wooden dowel (F22) x 24</p>	<p>B </p> <p>Metal dowel (F901) x 16</p>	<p>C </p> <p>Large locking nut (F900) x 16</p>
<p>D </p> <p>13mm Screw (F63) x 8</p>	<p>E </p> <p>13mm Screw (F79) x 14</p>	<p>F </p> <p>25mm Screw (F50) x 12</p>
<p>G </p> <p>Connecting Sleeve (F432) x 2</p>	<p>H </p> <p>19mm Connecting bolt (F461) x 2</p>	<p>I a </p> <p>Leg Socket (F120) x 4</p>
<p>J </p> <p>Bracket (F945) x 8</p>	<p>K </p> <p>Shelf support (F110) x 8</p>	<p>I b </p> <p>Leg (F122) x 4</p>
<p>L </p> <p>Hinge Plate (F117) x 4</p>	<p>M </p> <p>Hinge Arm (F118) x 4</p>	<p>I c </p> <p>Leg Bracket (F127) x 2</p>
<p>N </p> <p>Hinge Cover (F119) x 4</p>		<p>I d </p> <p>Leg Clip (F128) x 2</p>
<p>O a </p>		<p>I e </p> <p>16mm Screw (F129) x 16</p>
<p>Handle (F214) x 2</p>		
<p>O b </p> <p>25mm Screw (F132) x 4</p>		

Ruler - Use this ruler to help correctly identify the screws



Assembly Instructions

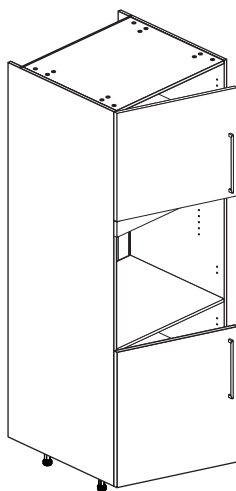
If you have damaged or missing components, call the
Customer Helpline: 08456 400800 quoting the reference
numbers below

Step 1

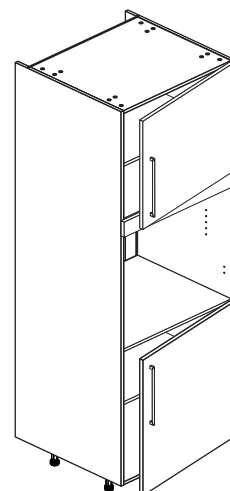
Choose which way you would like the doors to open

You can fit the doors to the left side or right side.

If you would like your doors to open this way, fit the hinge plates to the left side



If you would like your doors to open this way, fit the hinge plates to the right side



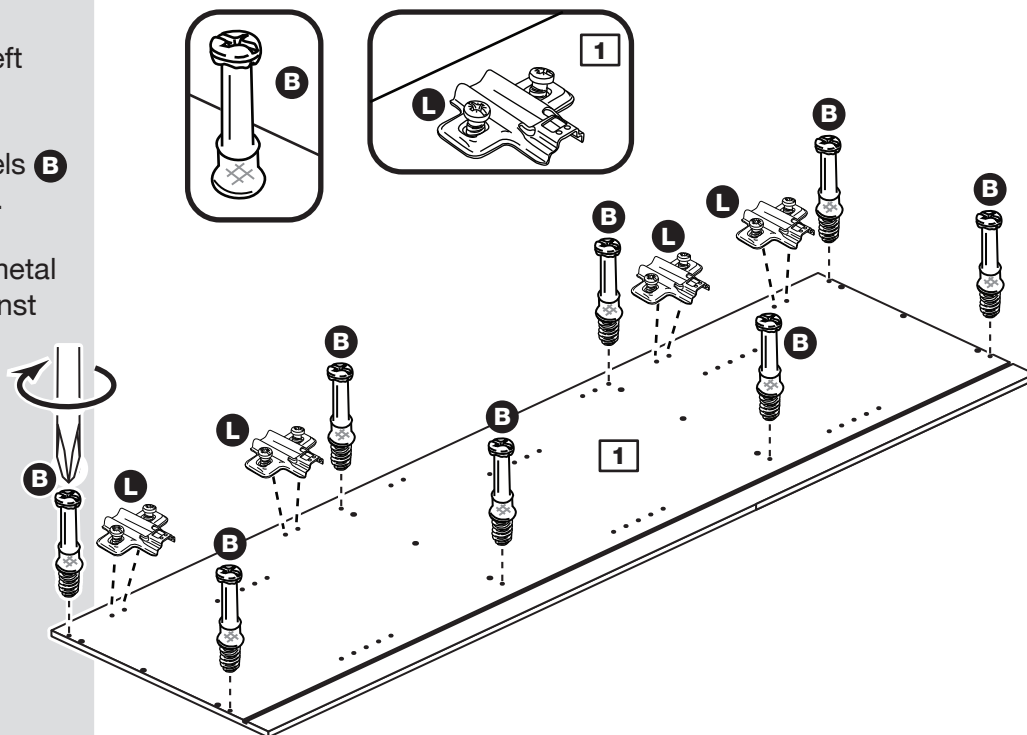
Step 2

Prepare the left side

Refer to step 1 and, if required, fit 4 hinge plates **L** onto the left side **1**, as shown.

Screw 8 metal dowels **B** into the left side **1**.

Note: Tighten the metal dowels up fully against the panels.



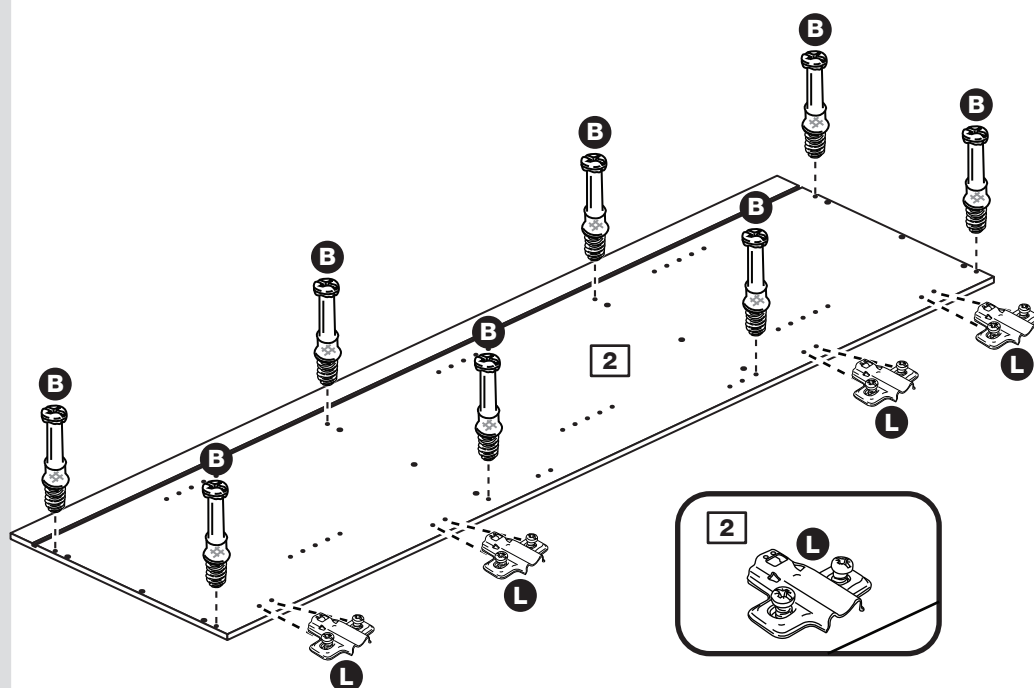
Assembly Instructions

Step 3

Prepare the right side

Refer to step 1 and, if required, fit 4 hinge plates **L** onto the right side **2**, as shown.

Screw 8 metal dowels **B** into the holes shown on the right side **2**.



Step 4

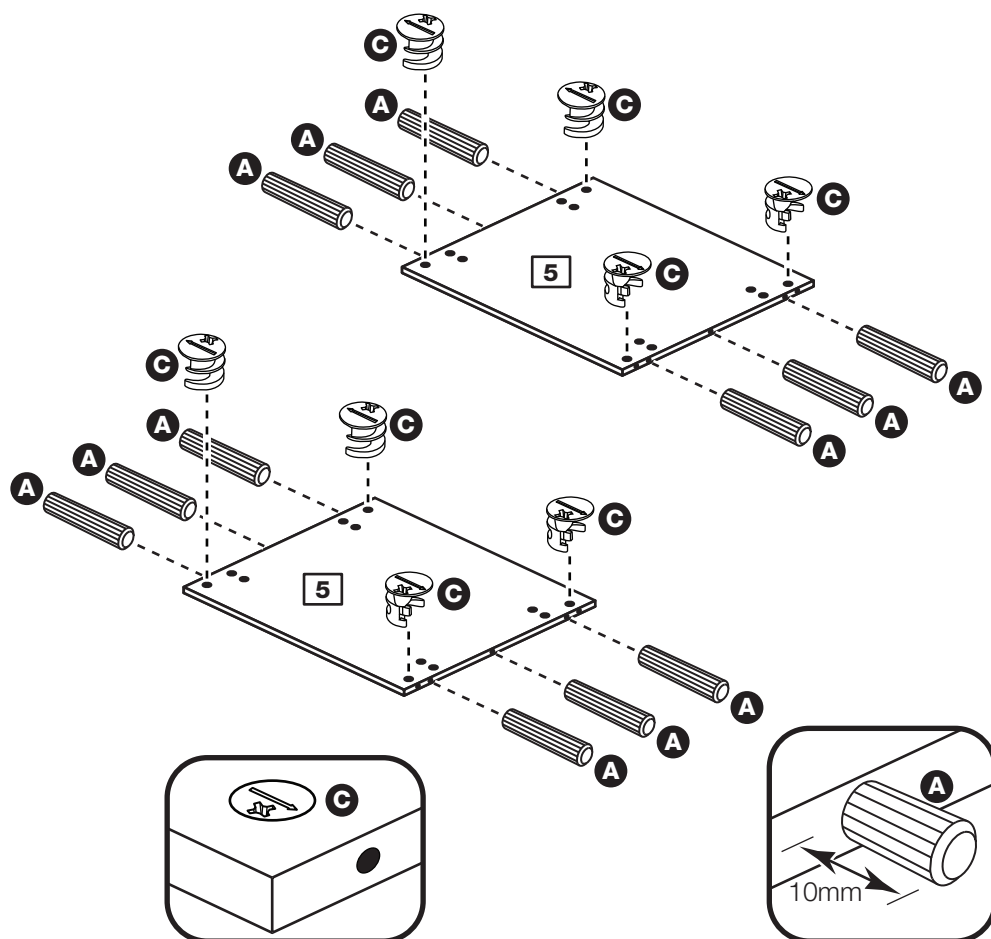
Prepare the base and top

Insert 4 large locking nuts **C** into the base **5** and top **5** as shown.

Note: Arrow on locking nut **must** point towards hole in edge of panel.

Tap 6 wooden dowels **A** into the base **5** and top **5** as shown.

Note: Wooden dowels **must not** stick out from the edge by more than 10mm or they may damage other panels.



Assembly Instructions

Step 5

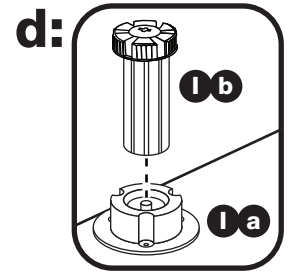
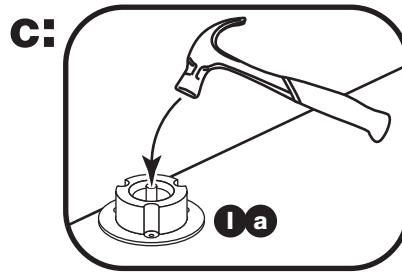
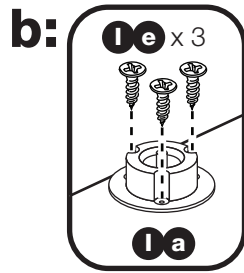
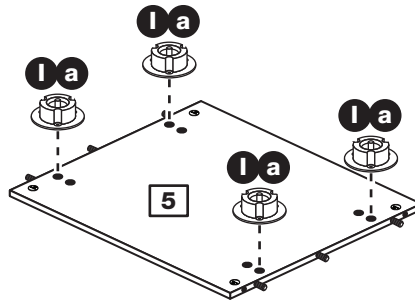
Fit the legs to the base

a: Push the leg sockets **1a** into the holes in the base **5** as shown.

b: Secure each leg socket **1a** with 3 screws **1e**.

c: Tap in the centre plug on each leg socket **1a**.

d: Push the leg **1b** into the leg socket **1a**.



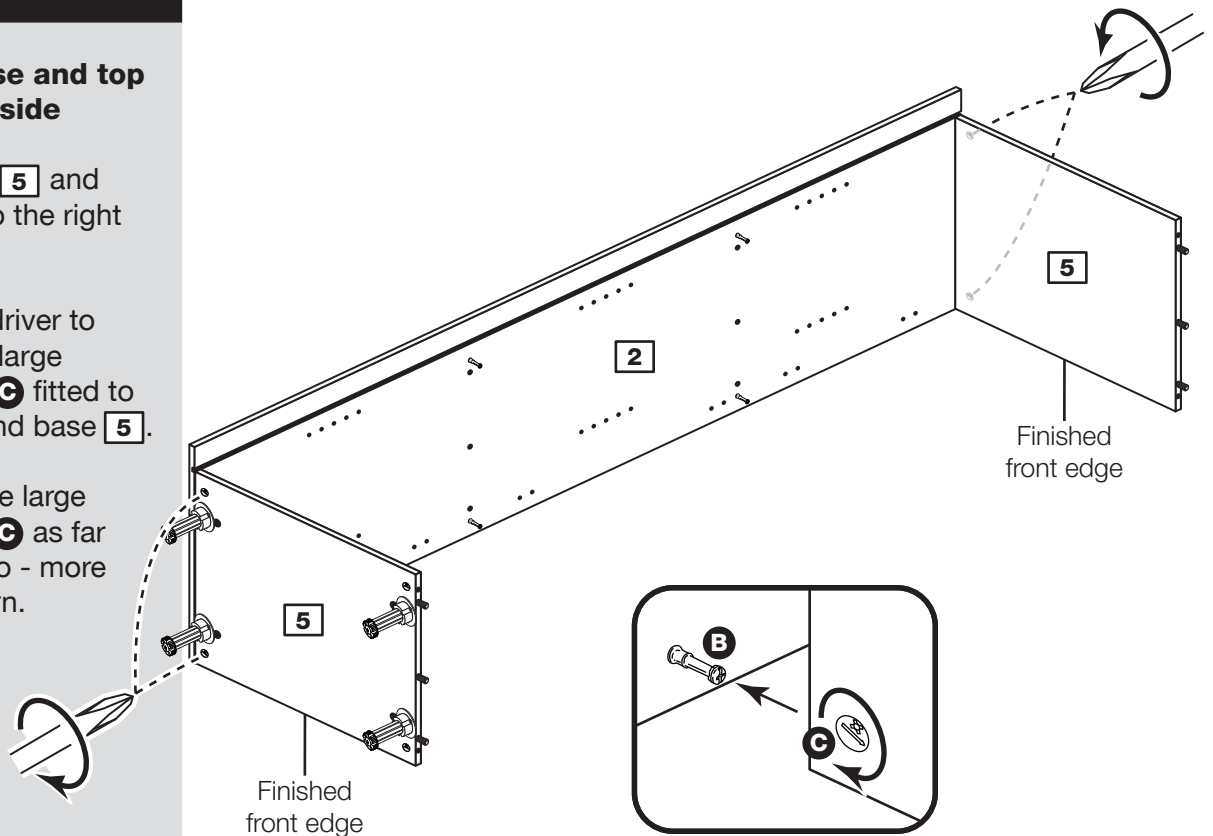
Step 6

Join the base and top to the right side

Push the top **5** and base **5** onto the right side **2**.

Use a screwdriver to tighten the 2 large locking nuts **C** fitted to the top **5** and base **5**.

Note: Turn the large locking nuts **C** as far as they will go - more than 1/2 a turn.



Assembly Instructions

Step 7

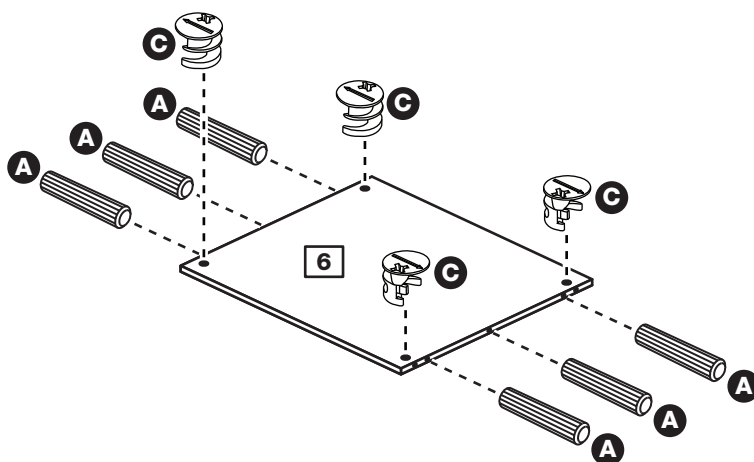
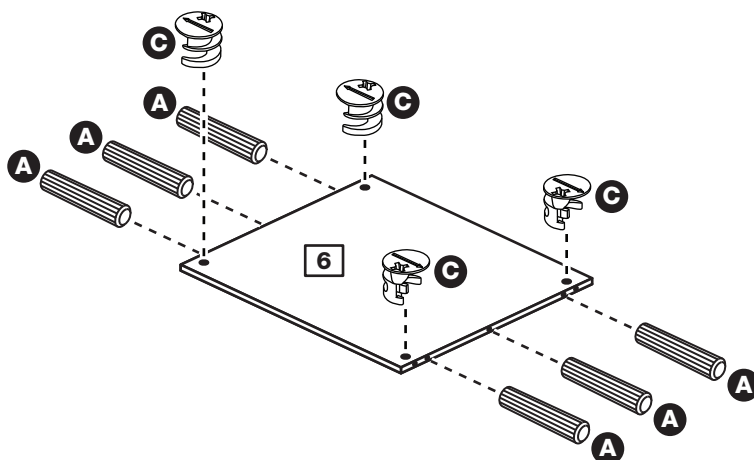
Prepare the 2 fixed shelves

Insert 4 large locking nuts **C** into the fixed shelves **6** as shown.

Note: Arrow on locking nut **must** point towards hole in edge of panel.

Tap 6 wooden dowels **A** into the fixed shelves **6**.

Note: Wooden dowels **must not** stick out from the edge by more than 10mm or they may damage other panels.



Assembly Instructions

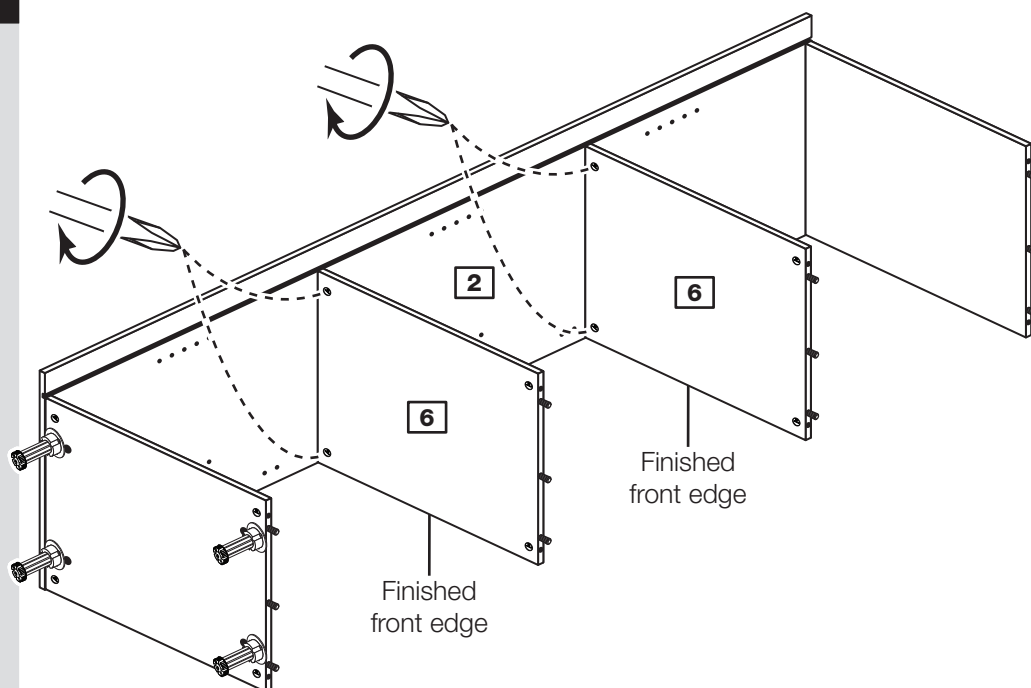
Step 8

Fit the fixed shelves

Push the fixed shelves **6** onto the right side **2**.

Use a screwdriver to tighten the 2 large locking nuts **C** fitted to the fixed shelves **6**.

Note: Turn the large locking nuts **C** as far as they will go - more than 1/2 a turn.



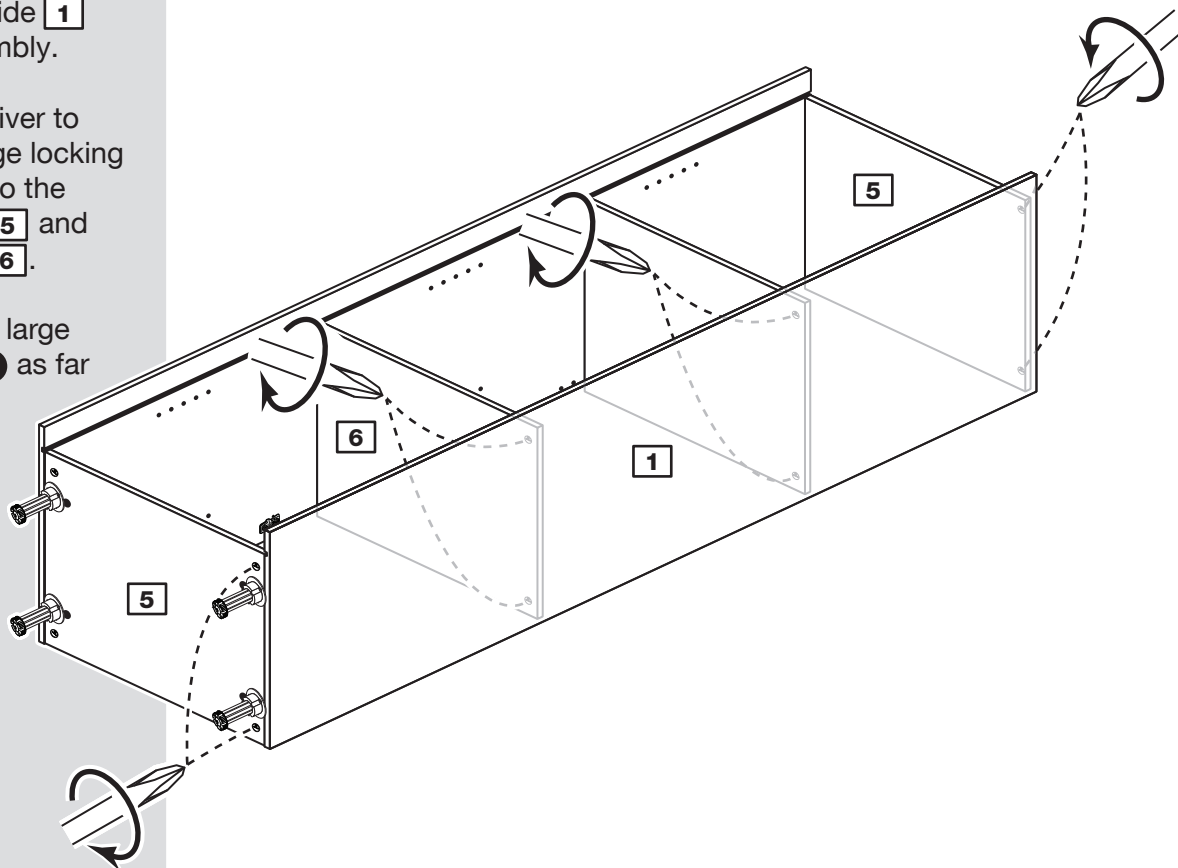
Step 9

Fit the left side

Push the left side **1** onto the assembly.

Use a screwdriver to tighten the large locking nuts **C** fitted to the base **5**, top **5** and fixed shelves **6**.

Note: Turn the large locking nuts **C** as far as they will go - more than 1/2 a turn.



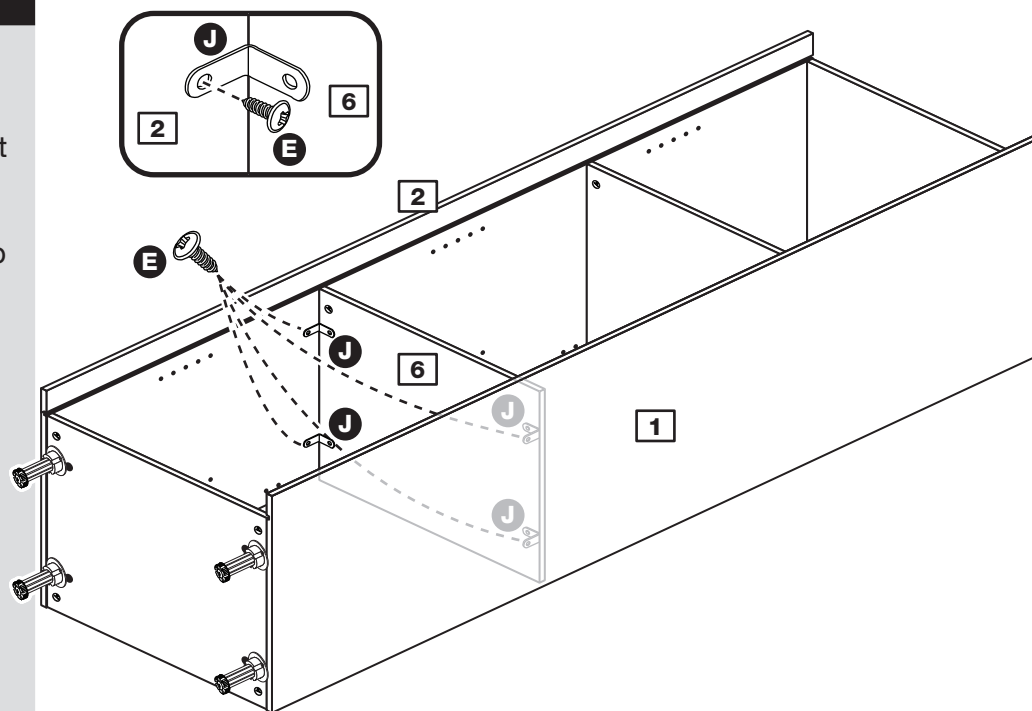
Assembly Instructions

Step 10

Fit 4 Brackets

Fix 4 brackets **J** against the lower fixed shelf **6**.

Push each bracket **J** up against the lower fixed shelf **6** and screw it to the side panel using screws **E**.



Step 11

Fit the back

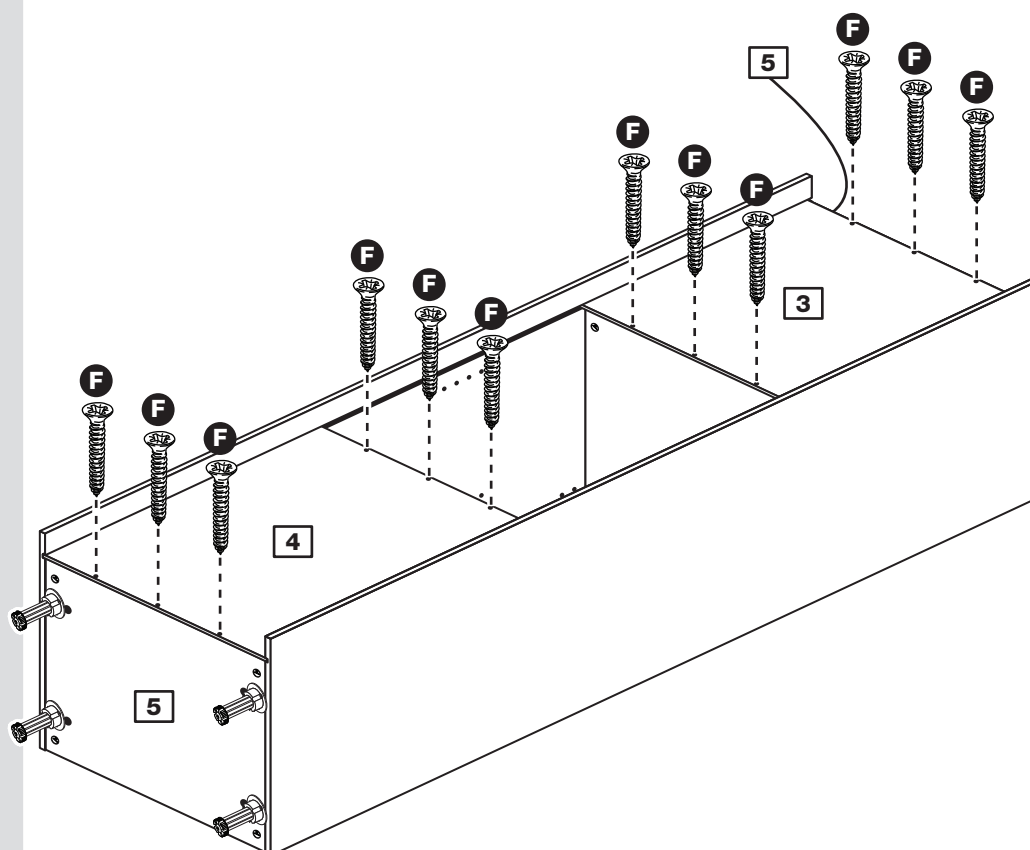
Slide the upper back **3** along the grooves in the side panels **1** and **2**.

Slide the lower back **4** along the grooves in the side panels **1** and **2**.

The top edge of the upper back **3** must be flush with the top edge of the top **5**.

The bottom edge of the lower back **4** must be flush with the bottom edge of the base **5**.

Secure the top and bottom of the 2 backs **3** and **4** to the unit using 12 screws **F** as shown.



Assembly Instructions

Step 12

Joining units together

Fittings have been supplied so you are able to join units together.

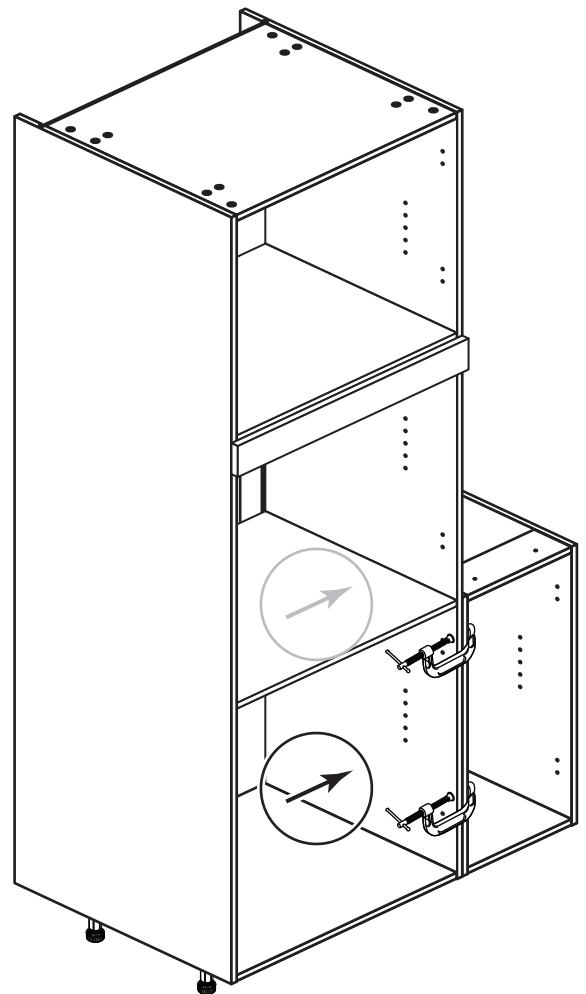
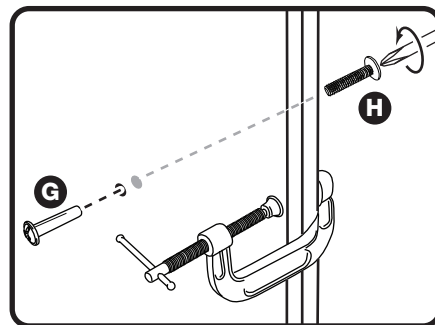
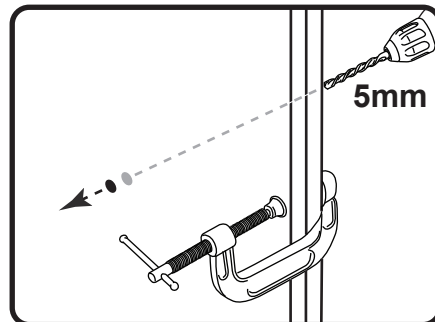
Make sure that your first unit is level.

Push the other unit up against first unit and ensure both units are level.

Check that the ends are flush and in line, then clamp them together.

Using a 5mm drill bit, drill 2 holes (approximate positions shown circled) in the side panel into the adjoining side panel of the other unit.

Push the connecting sleeves **G** into the holes and then screw the connecting bolts **H** in from the other side.



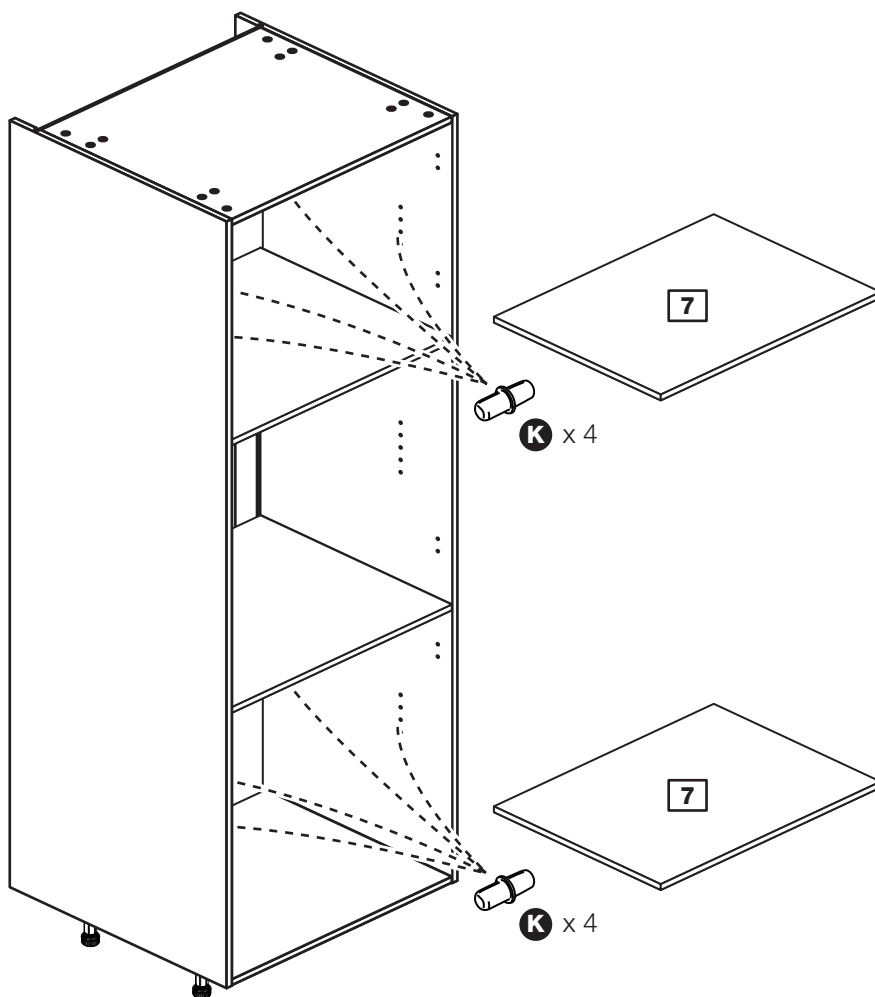
Assembly Instructions

Step 13

Fit the loose shelves

Insert 4 shelf studs **K** at the required height for each of the shelves **7**.

Lower the loose shelves **7** down onto the shelf studs **K**.



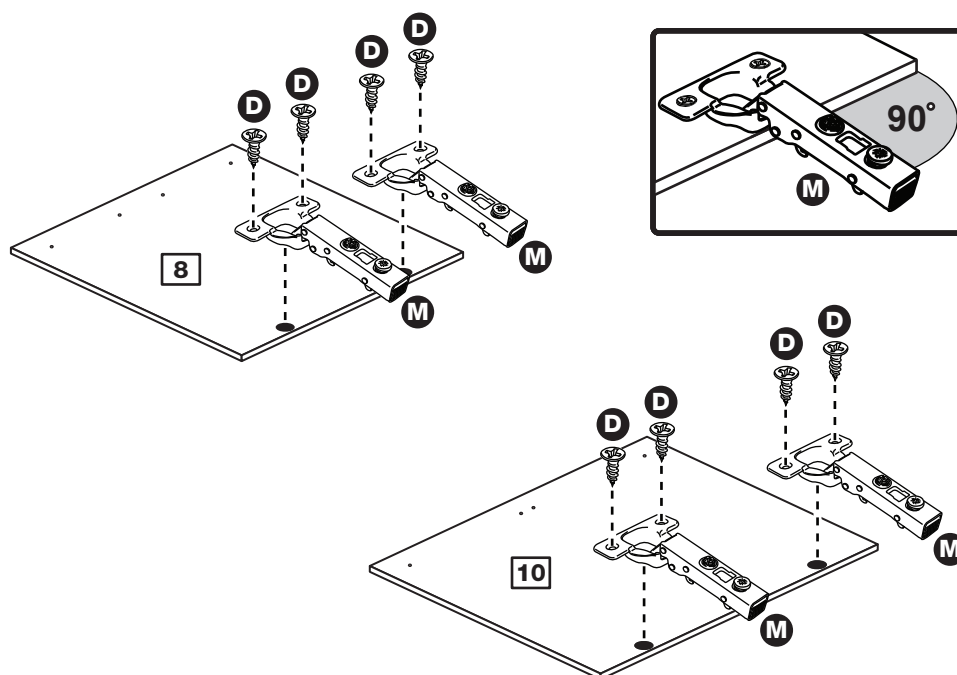
Step 14

Prepare the doors

Push fit 2 hinges **M** into the drawerline door **8** and door **10**.

Secure each hinge **M** with 2 screws **D**.

Note: Before securing with the screws, make sure that the hinges are positioned at 90 degrees with the front edge of the door.



Assembly Instructions

Step 15

Drill the handle holes in the doors

Important: Please follow these instructions carefully.

Lay the doors **8** and **10** down onto a smooth surface.

Important: Carefully choose which holes you need to drill. This will depend on which side you fitted the hinge plates **L**.

Check that the holes and hinges are in the same place as the diagrams.

Note: We recommend the use of a small piece of waste wood, placed behind the hole while drilling, to reduce the possibility of any breakout.

Using the pilot hole in the rear face of the door, drill through the holes indicated opposite, using a 2.5mm diameter drill.

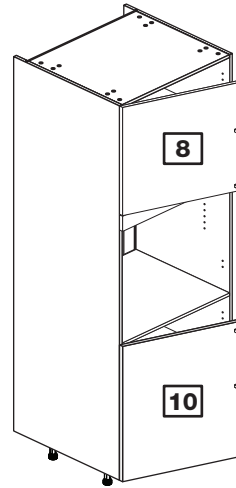
Turn the door over and open out the 2.5mm holes that you have just drilled by drilling back through them with a 5mm drill.

Note: Drill bits are not provided.

PLEASE FOLLOW THESE INSTRUCTIONS CAREFULLY TO CHOOSE WHICH 2 HOLES YOU WILL NEED TO DRILL

Important

ONLY drill the 2 holes in each door shown here if you have fitted the hinges to the **LEFT** side.

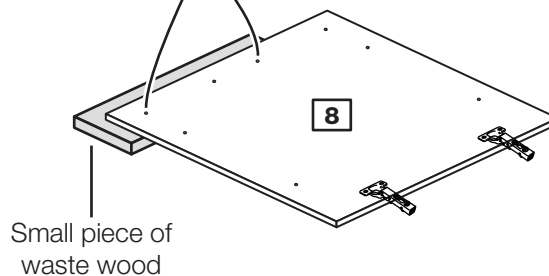


If you have fitted the hinges on the **RIGHT** side, go to the next step.

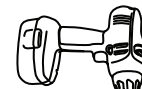
ONLY drill these 2 holes



DO NOT drill any other holes

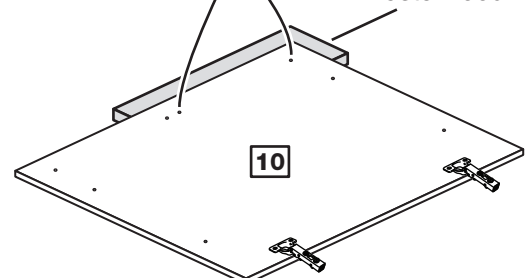


ONLY drill these 2 holes



DO NOT drill any other holes

Small piece of waste wood



Assembly Instructions

Step 16

Drill the handle holes in the doors

Important: Please follow these instructions carefully.

Lay the doors **8** and **10** down onto a smooth surface.

Important: Carefully choose which holes you need to drill. This will depend on which side you fitted the hinge plates **L**.

Check that the holes and hinges are in the same place as the diagrams.

Note: We recommend the use of a small piece of waste wood, placed behind the hole while drilling, to reduce the possibility of any breakout.

Using the pilot hole in the rear face of the door, drill through the holes indicated opposite, using a 2.5mm diameter drill.

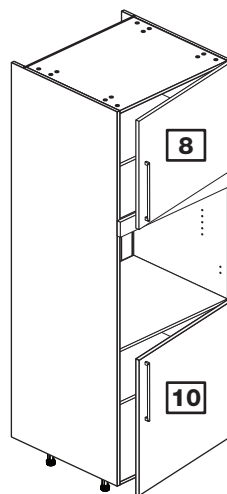
Turn the door over and open out the 2.5mm holes that you have just drilled by drilling back through them with a 5mm drill.

Note: Drill bits are not provided.

PLEASE FOLLOW THESE INSTRUCTIONS CAREFULLY TO CHOOSE WHICH 2 HOLES YOU WILL NEED TO DRILL

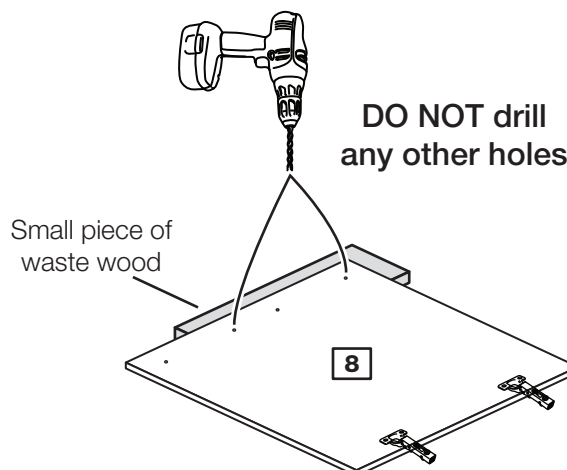
Important

ONLY drill the 2 holes in each door shown here if you have fitted the hinges to the **RIGHT** side.

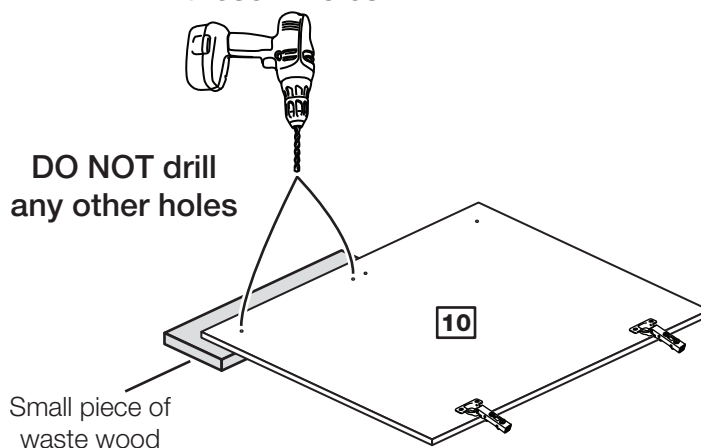


If you have fitted the hinges on the **LEFT** side, go to the previous step.

ONLY drill these 2 holes



ONLY drill these 2 holes



Assembly Instructions

Step 17

Fit doors and handles

2 people are needed here

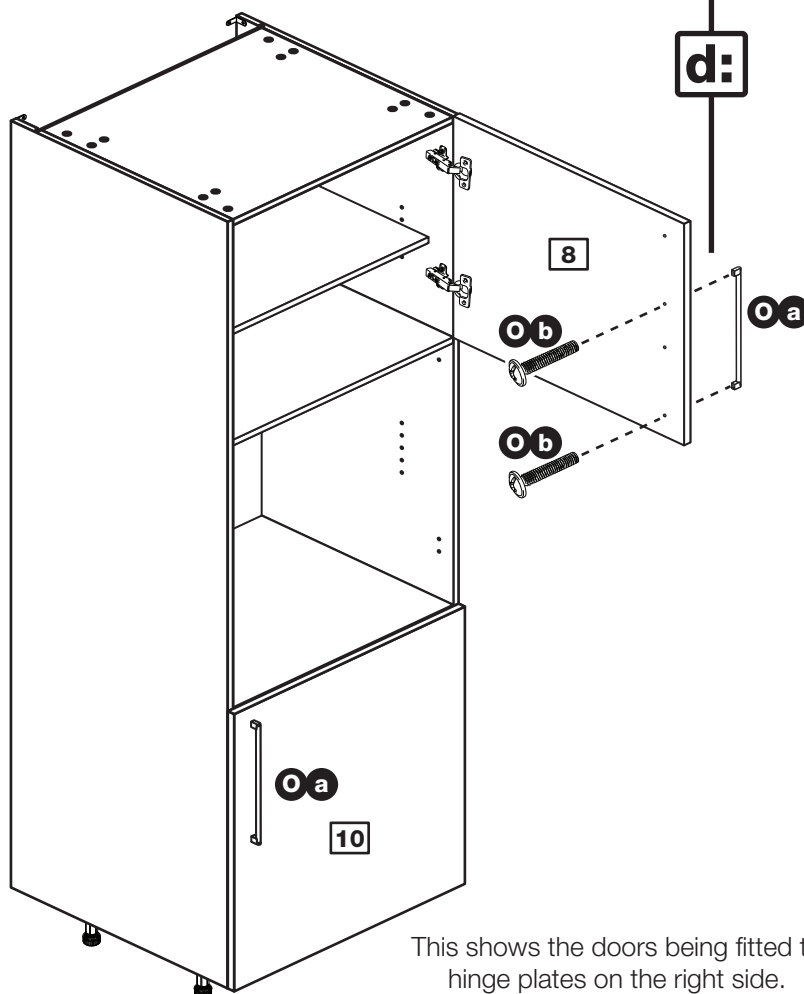
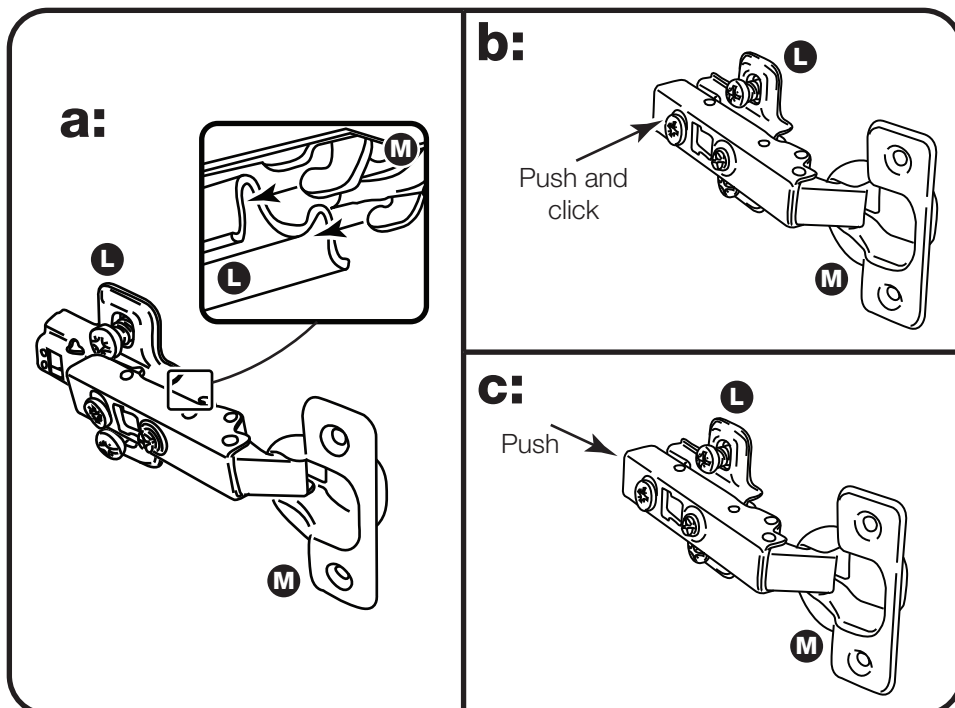
Note: The easiest way to attach each door **8** and **10** is to fit the top hinge first, then align and fit the other hinge.

a: Push the hooks on the hinge arm **M** underneath the front of the hinge plate **L**.

b: Press the front of the hinge arm **M** against the hinge plate **L** until it clicks into place.

c: If you need to separate the hinge arm **M** from the hinge plate, **L** press the button at the end of the hinge arm and lift it off of the hinge plate.

d: Attach the handle **Oa** supplied with each door **8** and **10** using the screw(s) **Ob** packed with it.



This shows the doors being fitted to hinge plates on the right side. You may have fitted them to the left side.

Assembly Instructions

Step 18

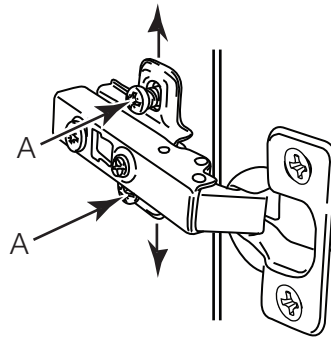
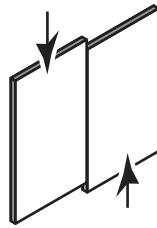
Adjust the doors if needed

a: Height adjustment.

Loosen screws A on hinge plates and move door up or down as required.

Retighten screw A.

a:

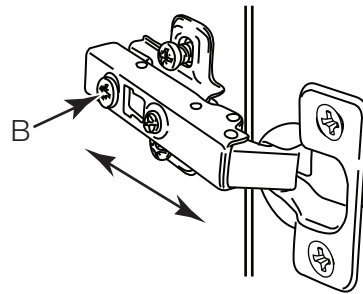
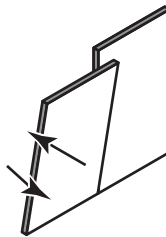


b: Forward and Back adjustment.

Loosen screw B on hinge arm and move door in or out as required.

Retighten screw B.

b:

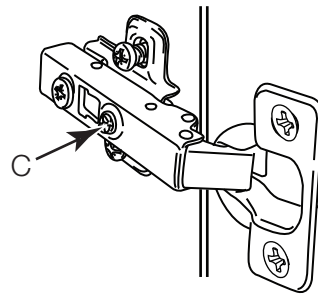
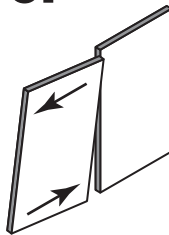


c: Sideways adjustment.

To move door 'out' loosen screw C.

To move door 'in' tighten screw C

c:

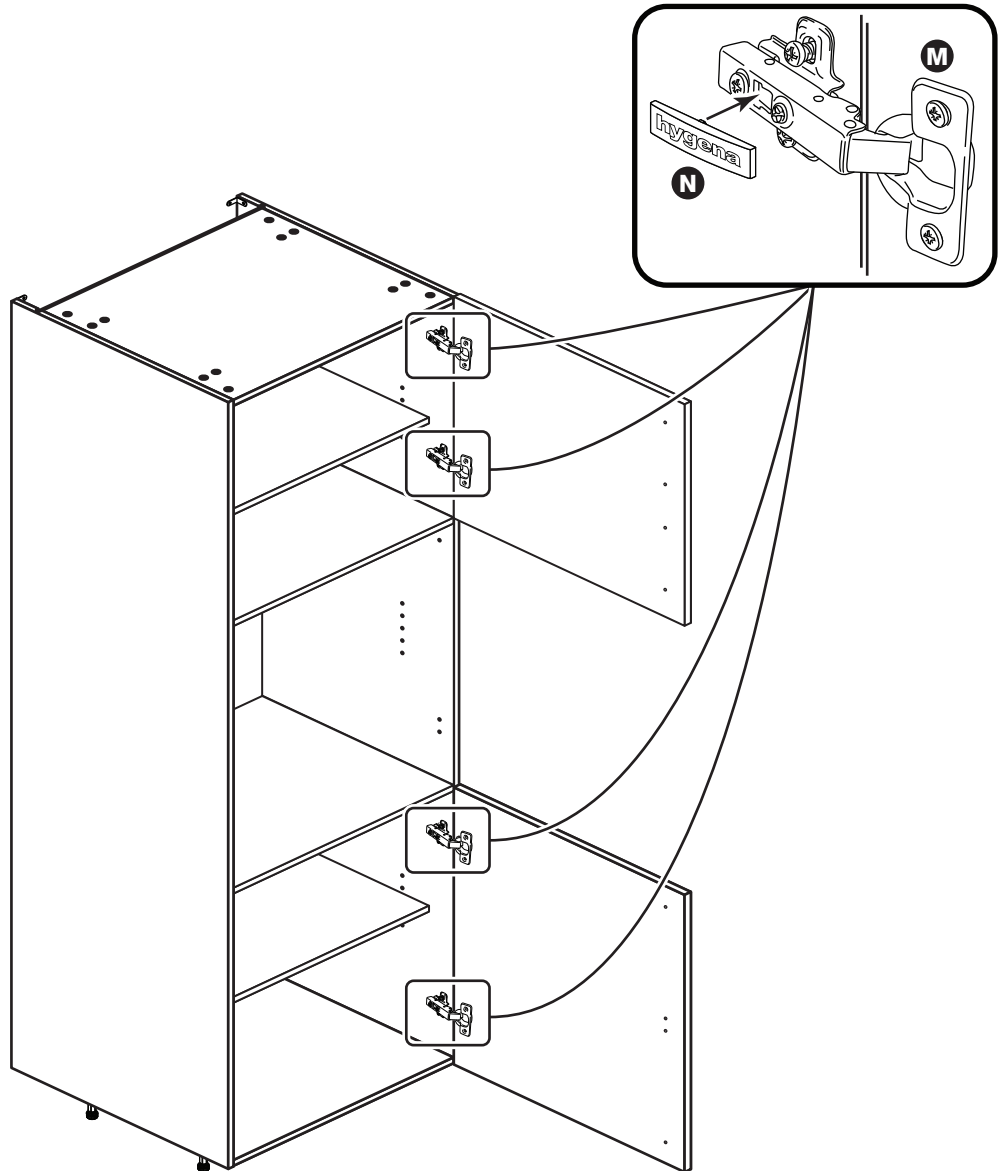


Assembly Instructions

Step 19

Fit the hinge covers

Push the hinge covers **N** onto the hinge arms **M**.



Assembly Instructions

Step 20

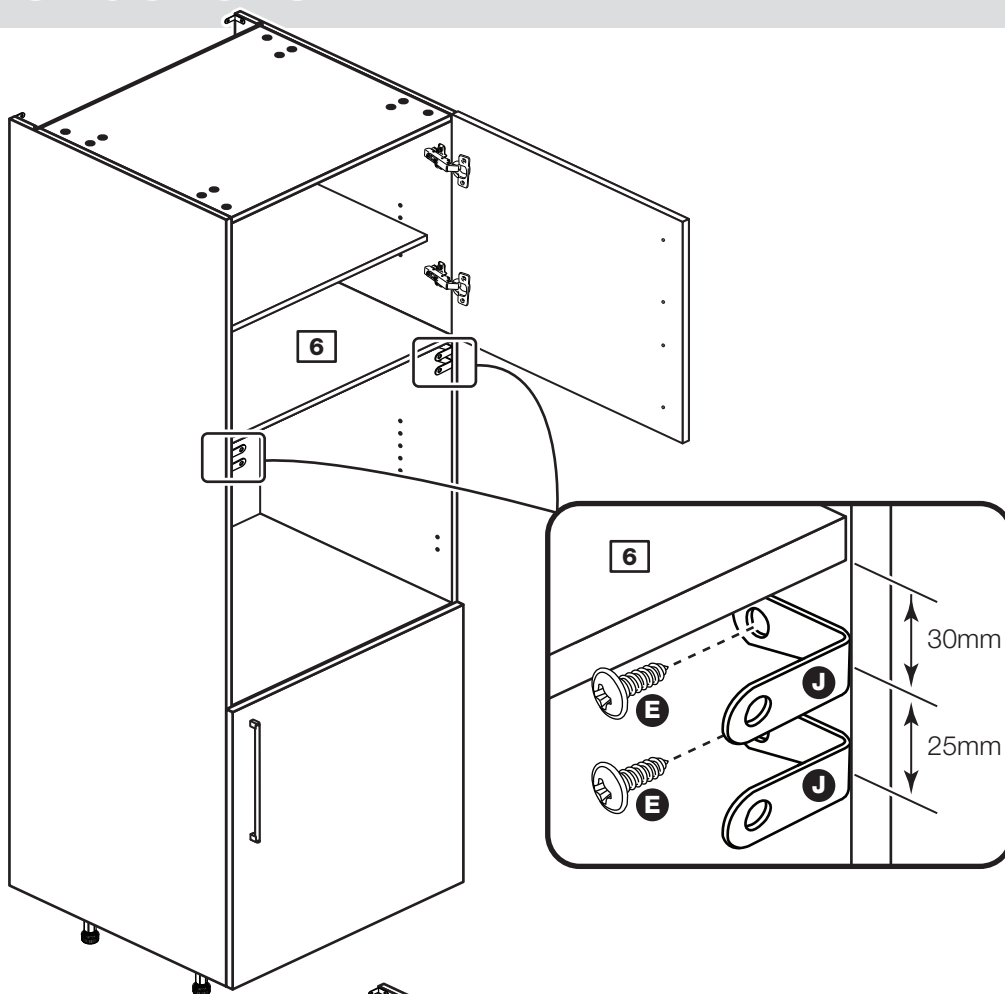
Fit 4 brackets

Fit 4 brackets **J** underneath the upper fixed shelf **6** using the positions shown in the diagram.

Fit the top brackets 30mm down from the bottom edge of the fixed shelf.

Fit the bottom brackets 25mm down from the 1st one.

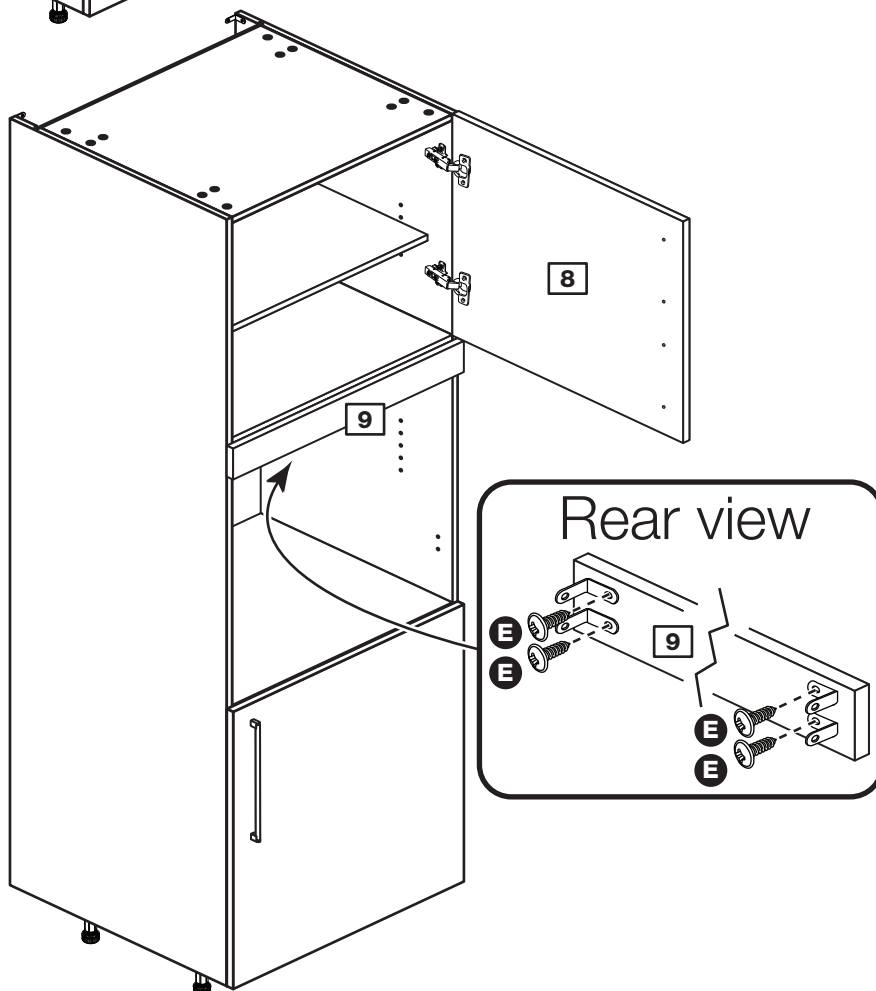
The brackets must be flush to the front edge of the side panels.



Step 21

Fit the appliance fascia

Fit the appliance fascia **9** underneath the drawerline door **8** and flush to the sides using 4 screws **E** through the brackets **J**.



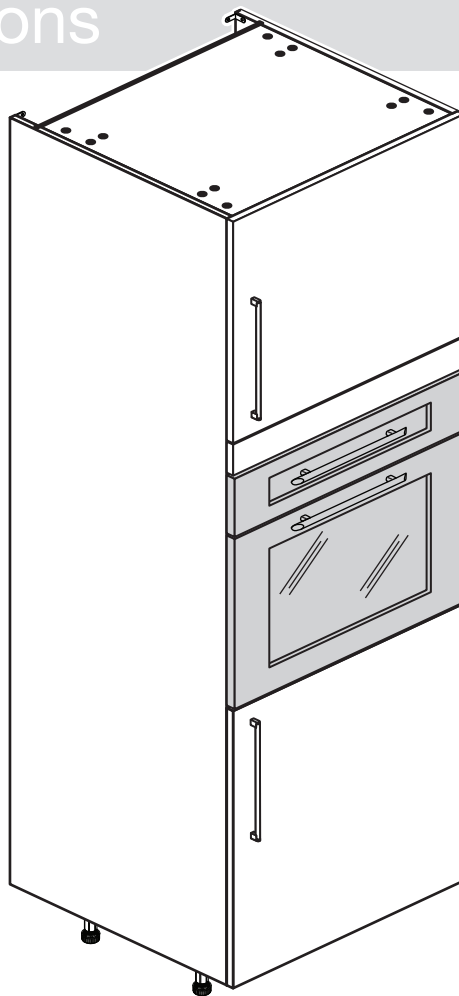
Assembly Instructions

Step 22

Install the oven

Please refer to the instructions that were supplied with the oven.

We recommend that you contact a registered installer.



Step 23

Fit the plinth

After cutting the plinth to the required length, offer the plinth up to the unit and using a pencil, mark the position of the unit's legs **1b** on the back of the plinth.

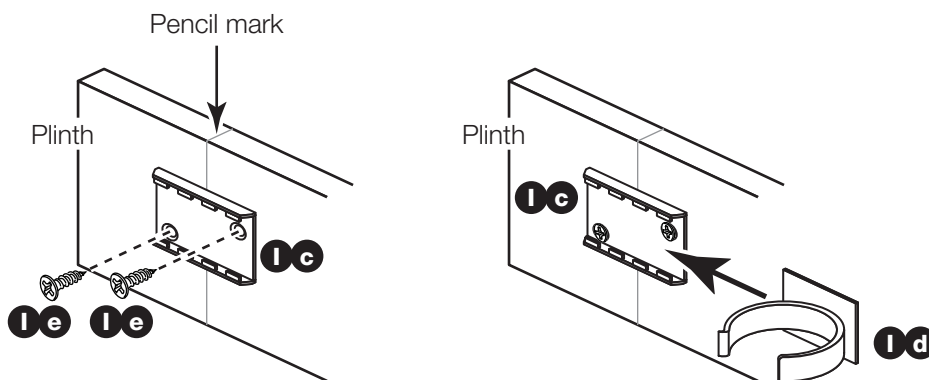
Position the leg bracket **1c** so it is in the centre of the pencil mark and half way up the plinth.

Fix the leg bracket **1c** to the back of the plinth using 2 screws **1e**.

Slide the leg clip **1d** into the leg bracket **1c**.

Offer the plinth up to the unit and push the leg clips **1d** onto the legs **1b**.

Black Plinth Pack	608/2345
Cream Plinth Pack	608/2369
Oak Plinth Pack	205/5668
White Gloss Plinth Pack	608/2352
White HN Plinth Pack	198/9917



Assembly Instructions

Step 24

Fit other products to the unit

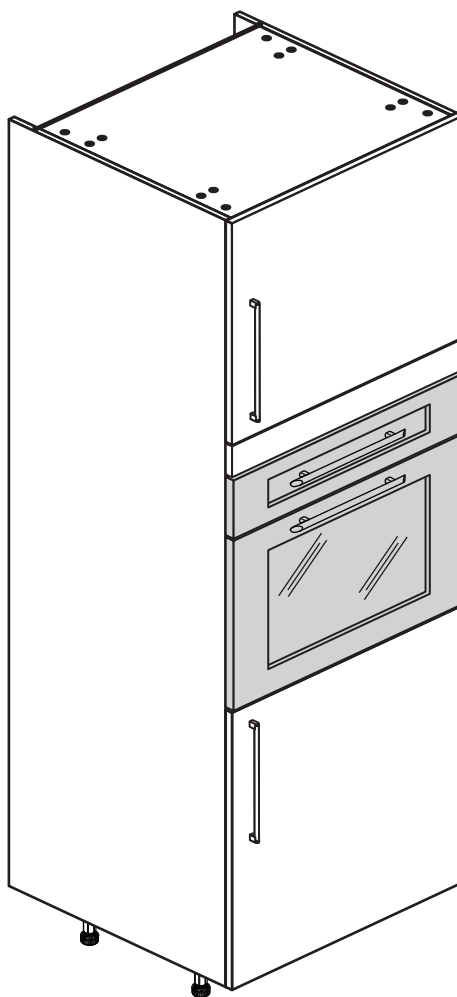
To fit other products to this unit e.g. worktops etc., please follow the instructions packed with them.

We recommend that you consult a qualified joiner or kitchen fitter.

Assembly is complete



Warning: The unit is heavy. Lift with care.



If you need help or have damaged or missing parts, call the **Customer Helpline: 08456 400800** and quote the reference numbers on the component pages.

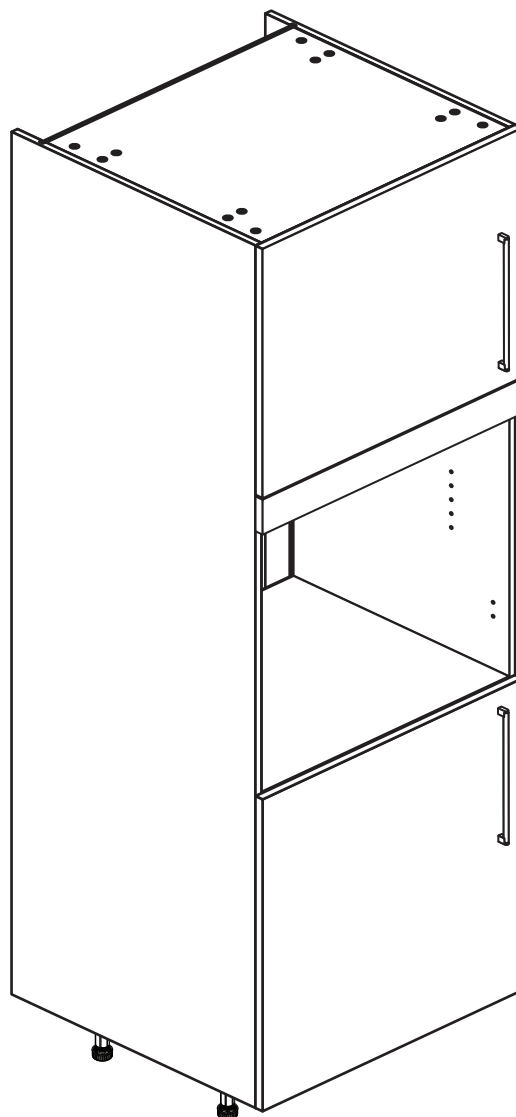
Argos Ltd, 489-499 Avebury Boulevard, Central Milton Keynes, MK9 2NW

Valencia - Tall Appliance Cabinet

Assembly Instructions - Please keep for future reference

hygena

Cabinet	656/5824
Black Door Pack	633/3733
Cream Door Pack	633/3757
Oak Door Pack	204/9533
White Gloss Door Pack	633/3740
White HN Door Pack	204/7786



Dimensions

Width - 60cm

Depth - 59cm

Height - 213cm



**MADE IN
BRITAIN**

Important - Please read these instructions fully before starting assembly

If you need help or have damaged or missing parts, call the **Customer Helpline: 03456 400800**



Safety and Care Advice

Important - Please read these instructions fully before starting assembly

- **Warning:** This unit weighs approximately 44kgs. Please lift with care.

- Check you have all the components and tools listed on pages 1, 2 and 3.

- Remove all fittings from the plastic bags and separate them into their groups.

- Keep children and animals away from the work area, small parts could choke if swallowed.

- Parts of the assembly will be easier with 2 people.

- Make sure you have enough space to layout the parts before starting.

- Do not stand or put weight on the product, this could cause damage.

- Assemble the item as close to its final position (in the same room) as possible.

- Assemble on a soft level surface to avoid damaging the unit or your floor (use opened out unit carton).



- We do not recommend the use of power drill/drivers **for inserting screws**, as this could damage the unit. Only use hand screwdrivers.

- **Safety note:** It is recommended that this unit is secured to a wall using the brackets supplied.

- Dispose of all packaging carefully and responsibly.

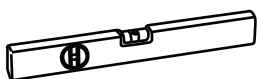
Care and maintenance

- Only clean using a damp cloth and mild detergent, do not use bleach or abrasive cleaners.

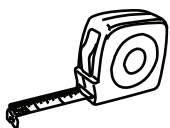
- From time to time check that there are no loose screws on this unit.

- This product should not be discarded with household waste. Take to your local authority waste disposal centre.

Tools required



Spirit level



Rule



Cross-head screwdriver



Scissors



Hammer



Eye protection (when using a hammer or drill)



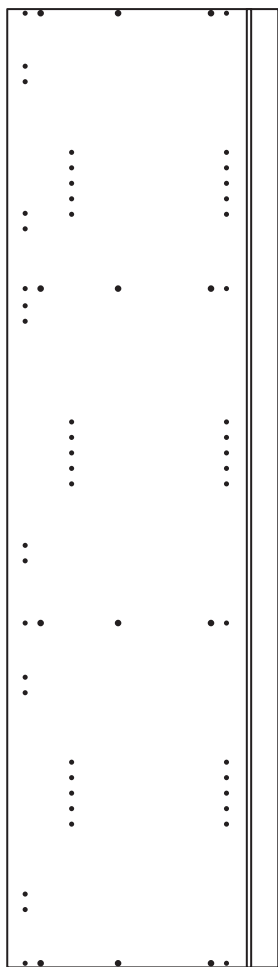
Electric drill

Note: If required the next page can be cut out and used as reference throughout the assembly. Keep this page with these instructions for future reference.

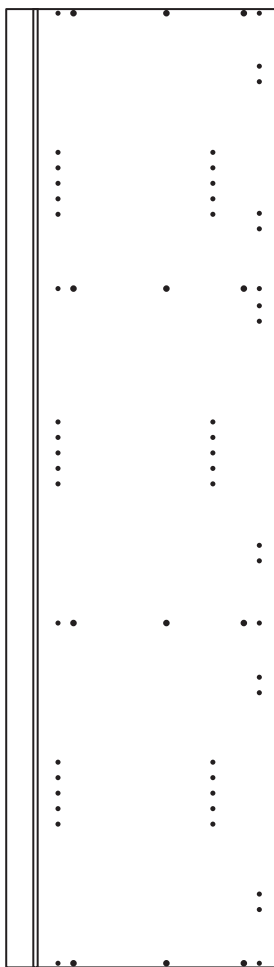
Components - Panels

If you have damaged or missing components, call the **Customer Helpline: 03456 400800** quoting the reference numbers below

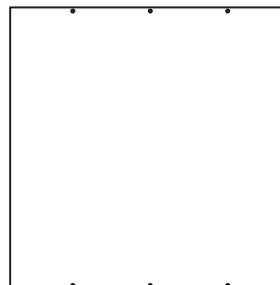
Please check you have all the panels listed below



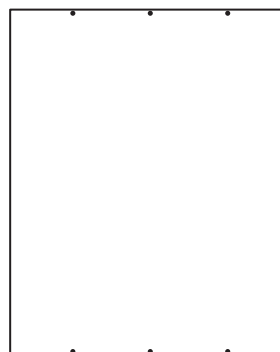
1 Left Side (DPF106A)
(1980 x 560mm)



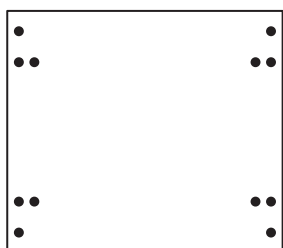
2 Right Side (DPF107A)
(1980 x 560mm)



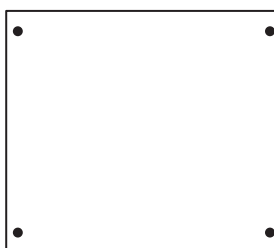
3 Upper Back (DPF110A)
(579 x 582mm)



4 Lower Back (DPF111A)
(579 x 714mm)



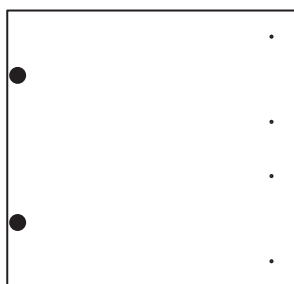
5 Top/Base (DPF078A)
(569 x 494mm) x 2



6 Fixed Shelf (DPF108A)
(569 x 494mm) x 2

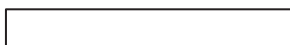


7 Loose Shelf (DPF079A)
(568 x 431mm) x 2

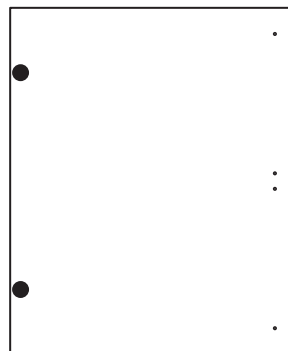


8 Drawerline Door (DPF150B)
(597 x 572mm)

NOTE: The front surface of the doors and fascia are protected with a peel-off film



9 Appliance Fascia (DPF154B)
(597 x 80mm)



10 Door (DPF148B)
(597 x 716mm)

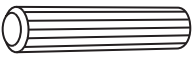
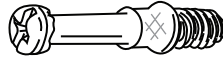




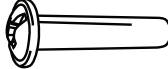

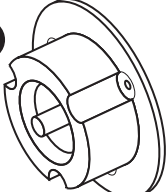
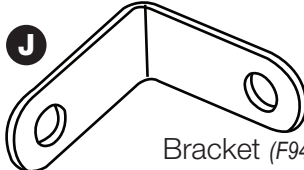

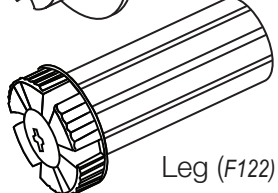
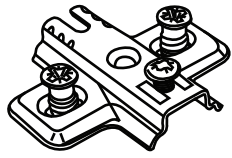
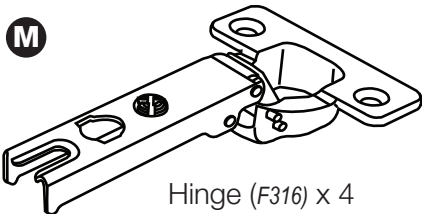
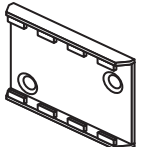
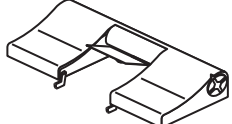

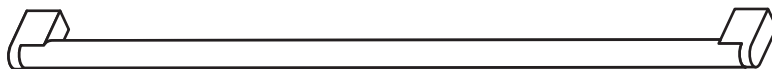




Components - Fittings

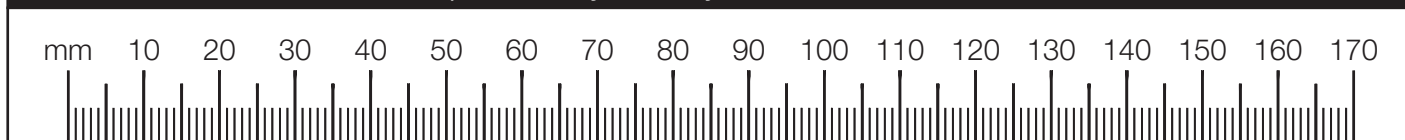
If you have damaged or missing components, call the **Customer Helpline: 03456 400800** quoting the reference numbers below

Please check you have all the fittings listed below

Note: The quantities below are the correct amount to complete the assembly. In some cases more fittings may be supplied than are required.

<p>A </p> <p>Wooden dowel (F22) x 24</p>	<p>B </p> <p>Metal dowel (F901) x 16</p>	<p>C </p> <p>Large locking nut (F900) x 16</p>
<p>D </p> <p>13mm Screw (F63) x 8</p>	<p>E </p> <p>13mm Screw (F79) x 14</p>	<p>F </p> <p>25mm Screw (F50) x 12</p>
<p>G </p> <p>Connecting Sleeve (F432) x 2</p>	<p>H </p> <p>19mm Connecting bolt (F461) x 2</p>	<p>I a </p> <p>Leg Socket (F120) x 4</p>
<p>J </p> <p>Bracket (F945) x 8</p>	<p>K </p> <p>Shelf support (F110) x 8</p>	<p>I b </p> <p>Leg (F122) x 4</p>
<p>L </p> <p>Hinge Plate (F574) x 4</p>	<p>M </p> <p>Hinge (F316) x 4</p>	<p>I c </p> <p>Leg Bracket (F127) x 2</p>
<p>N </p> <p>Soft Close (F320) x 2</p>		<p>I d </p> <p>Leg Clip (F128) x 2</p>
<p>O a </p> <p>Handle (F214) x 2</p> <p>O b </p> <p>25mm Screw (F132) x 4</p>		<p>I e </p> <p>16mm Screw (F129) x 16</p>

Ruler - Use this ruler to help correctly identify the screws



Assembly Instructions

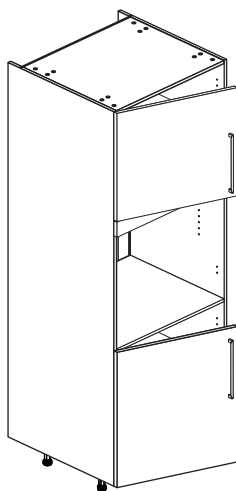
If you have damaged or missing components, call the
Customer Helpline: 03456 400800 quoting the reference
numbers below

Step 1

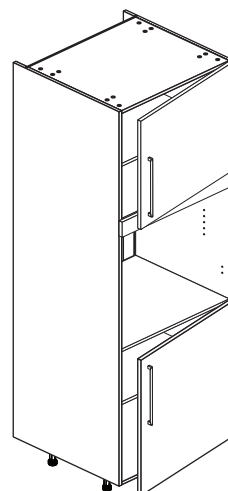
Choose which way you would like the doors to open

You can fit the doors to the left side or right side.

If you would like your doors to open this way, fit the hinge plates to the left side



If you would like your doors to open this way, fit the hinge plates to the right side



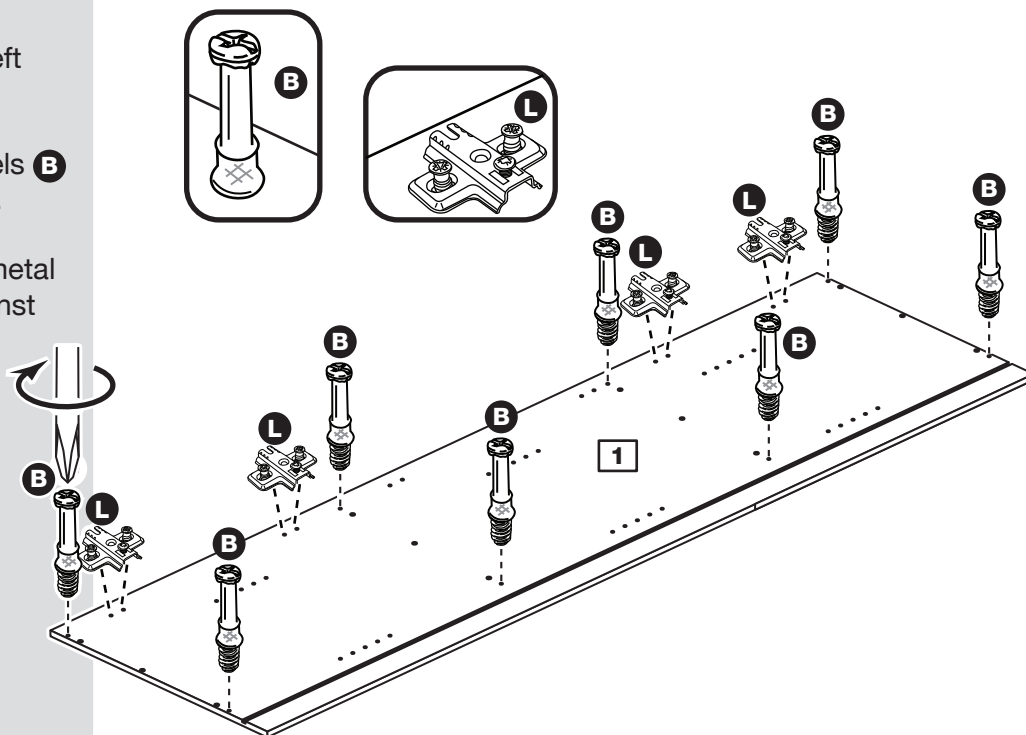
Step 2

Prepare the left side

Refer to step 1 and, if required, fit 4 hinge plates **L** onto the left side **1**, as shown.

Screw 8 metal dowels **B** into the left side **1**.

Note: Tighten the metal dowels up fully against the panels.



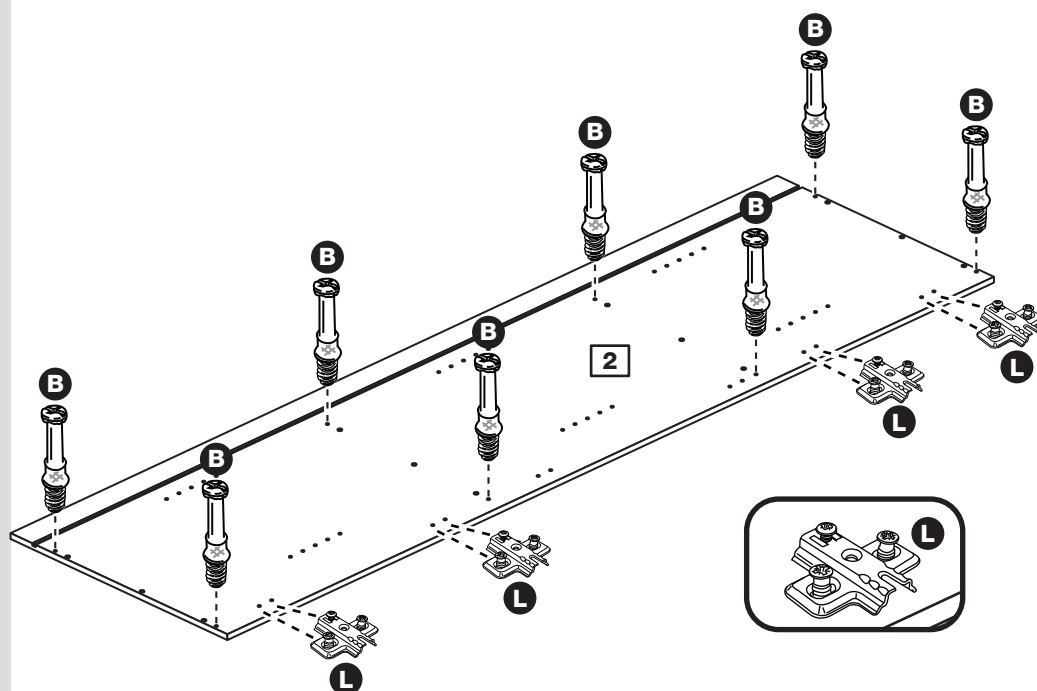
Assembly Instructions

Step 3

Prepare the right side

Refer to step 1 and, if required, fit 4 hinge plates **L** onto the right side **2**, as shown.

Screw 8 metal dowels **B** into the holes shown on the right side **2**.



Step 4

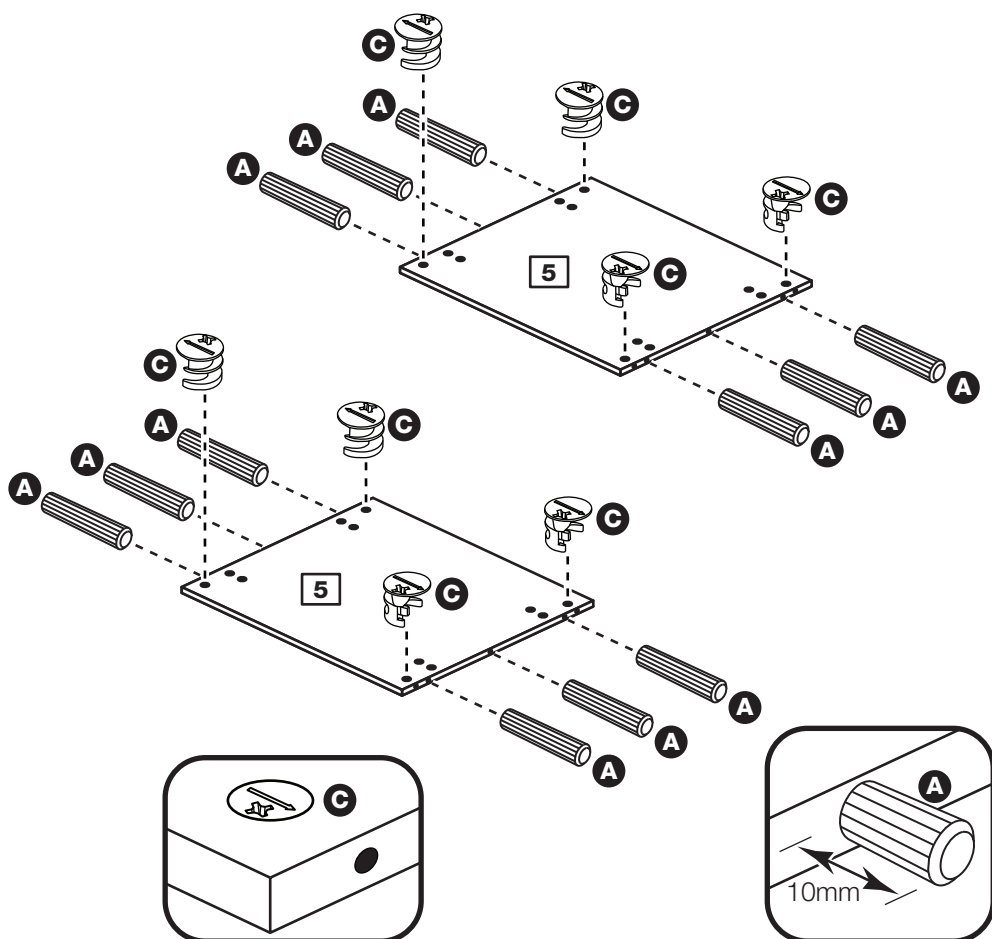
Prepare the base and top

Insert 4 large locking nuts **C** into the base **5** and top **5** as shown.

Note: Arrow on locking nut **must** point towards hole in edge of panel.

Tap 6 wooden dowels **A** into the base **5** and top **5** as shown.

Note: Wooden dowels **must not** stick out from the edge by more than 10mm or they may damage other panels.



Assembly Instructions

Step 5

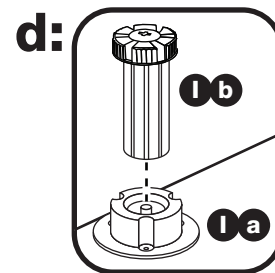
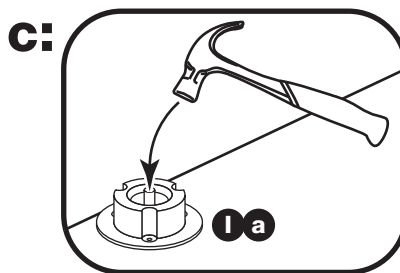
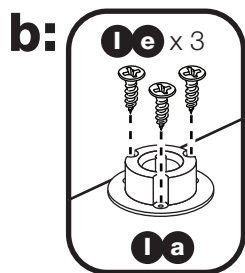
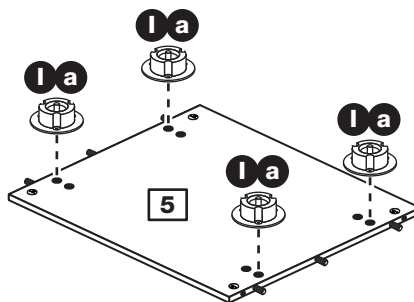
Fit the legs to the base

a: Push the leg sockets **1a** into the holes in the base **5** as shown.

b: Secure each leg socket **1a** with 3 screws **1e**.

c: Tap in the centre plug on each leg socket **1a**.

d: Push the leg **1b** into the leg socket **1a**.



Step 6

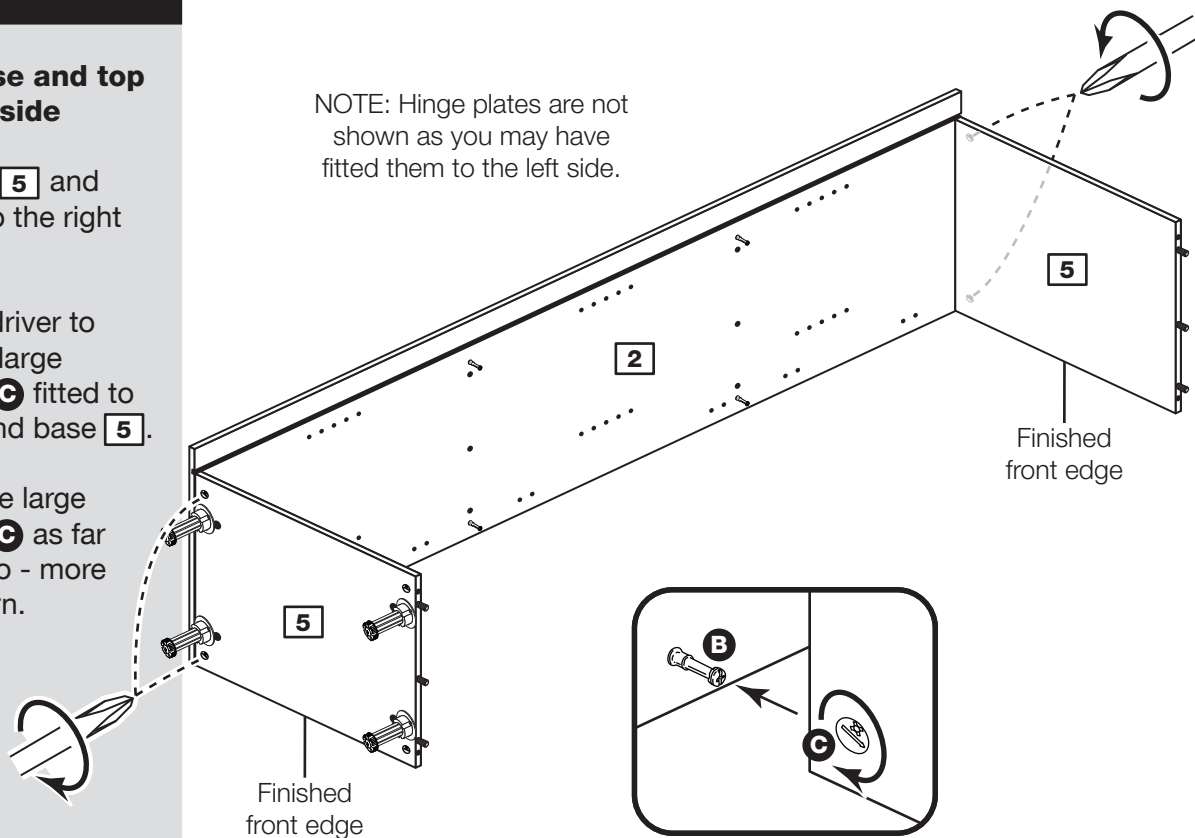
Join the base and top to the right side

Push the top **5** and base **5** onto the right side **2**.

Use a screwdriver to tighten the 2 large locking nuts **C** fitted to the top **5** and base **5**.

Note: Turn the large locking nuts **C** as far as they will go - more than 1/2 a turn.

NOTE: Hinge plates are not shown as you may have fitted them to the left side.



Assembly Instructions

Step 7

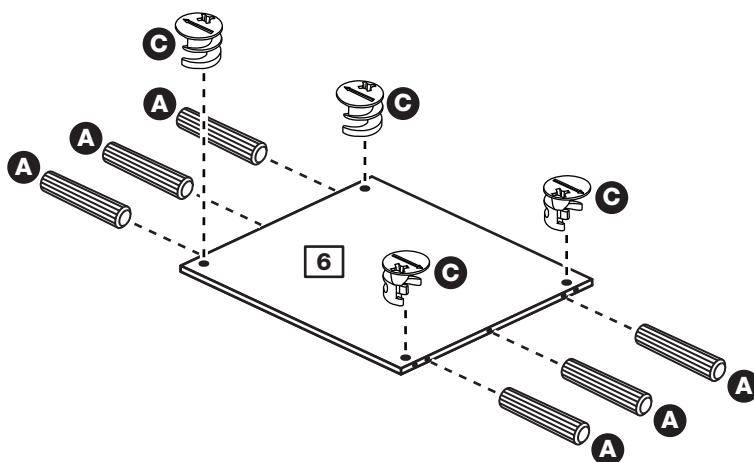
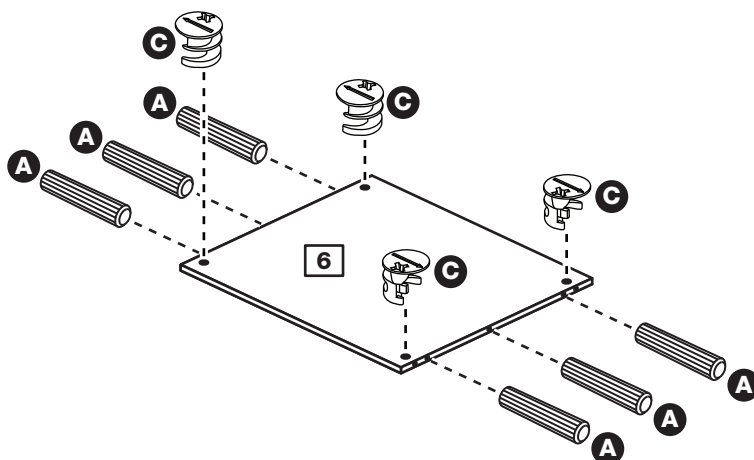
Prepare the 2 fixed shelves

Insert 4 large locking nuts **C** into the fixed shelves **6** as shown.

Note: Arrow on locking nut **must** point towards hole in edge of panel.

Tap 6 wooden dowels **A** into the fixed shelves **6**.

Note: Wooden dowels **must not** stick out from the edge by more than 10mm or they may damage other panels.



Assembly Instructions

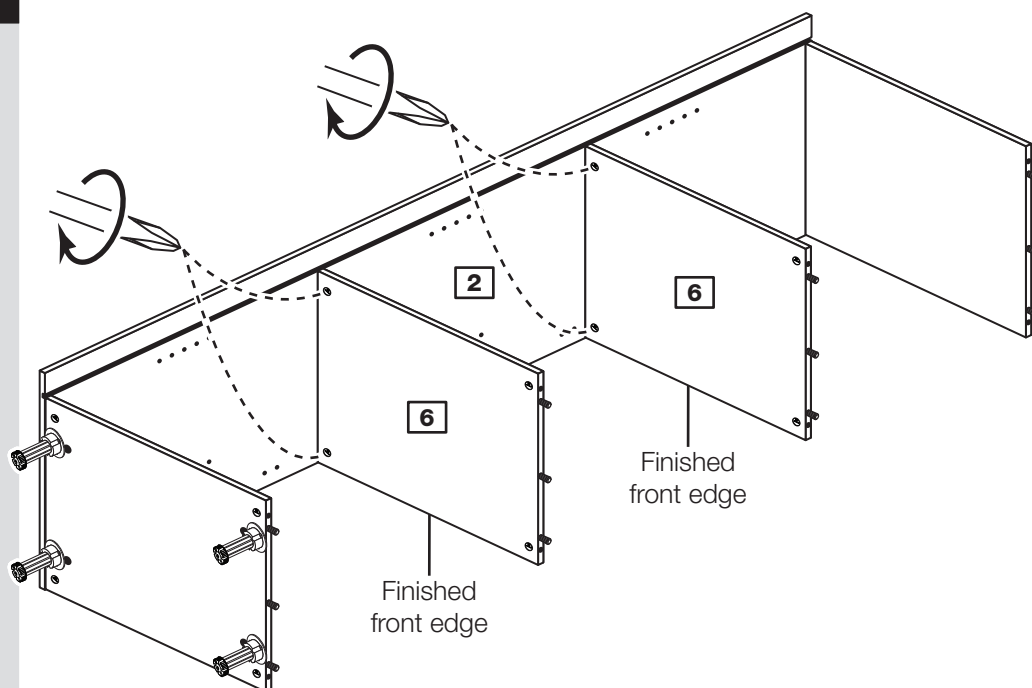
Step 8

Fit the fixed shelves

Push the fixed shelves **6** onto the right side **2**.

Use a screwdriver to tighten the 2 large locking nuts **C** fitted to the fixed shelves **6**.

Note: Turn the large locking nuts **C** as far as they will go - more than 1/2 a turn.



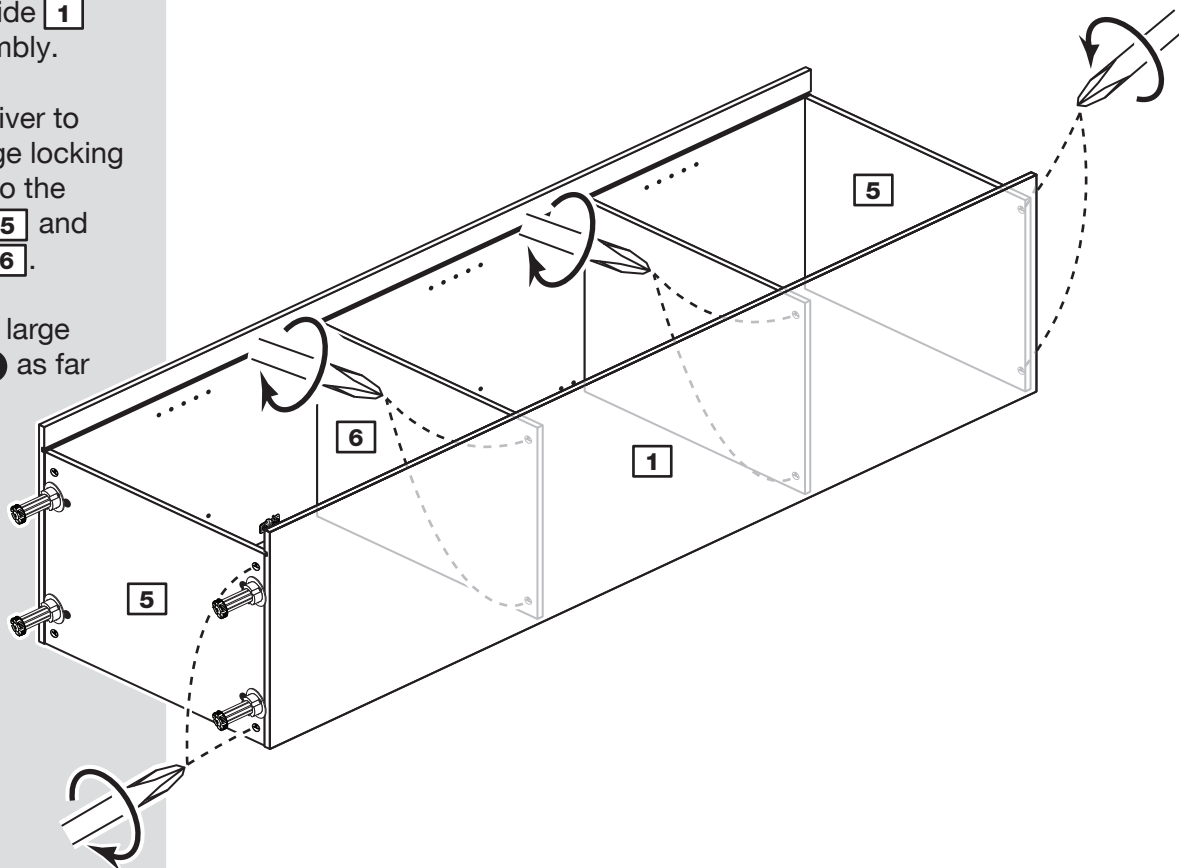
Step 9

Fit the left side

Push the left side **1** onto the assembly.

Use a screwdriver to tighten the large locking nuts **C** fitted to the base **5**, top **5** and fixed shelves **6**.

Note: Turn the large locking nuts **C** as far as they will go - more than 1/2 a turn.



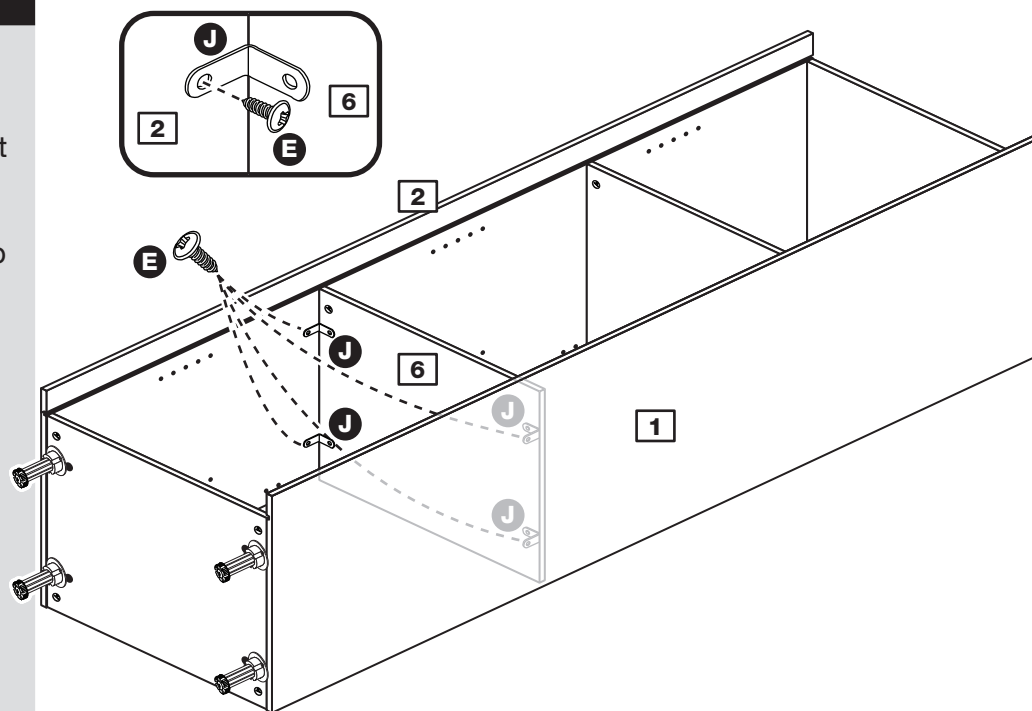
Assembly Instructions

Step 10

Fit 4 Brackets

Fix 4 brackets **J** against the lower fixed shelf **6**.

Push each bracket **J** up against the lower fixed shelf **6** and screw it to the side panel using screws **E**.



Step 11

Fit the back

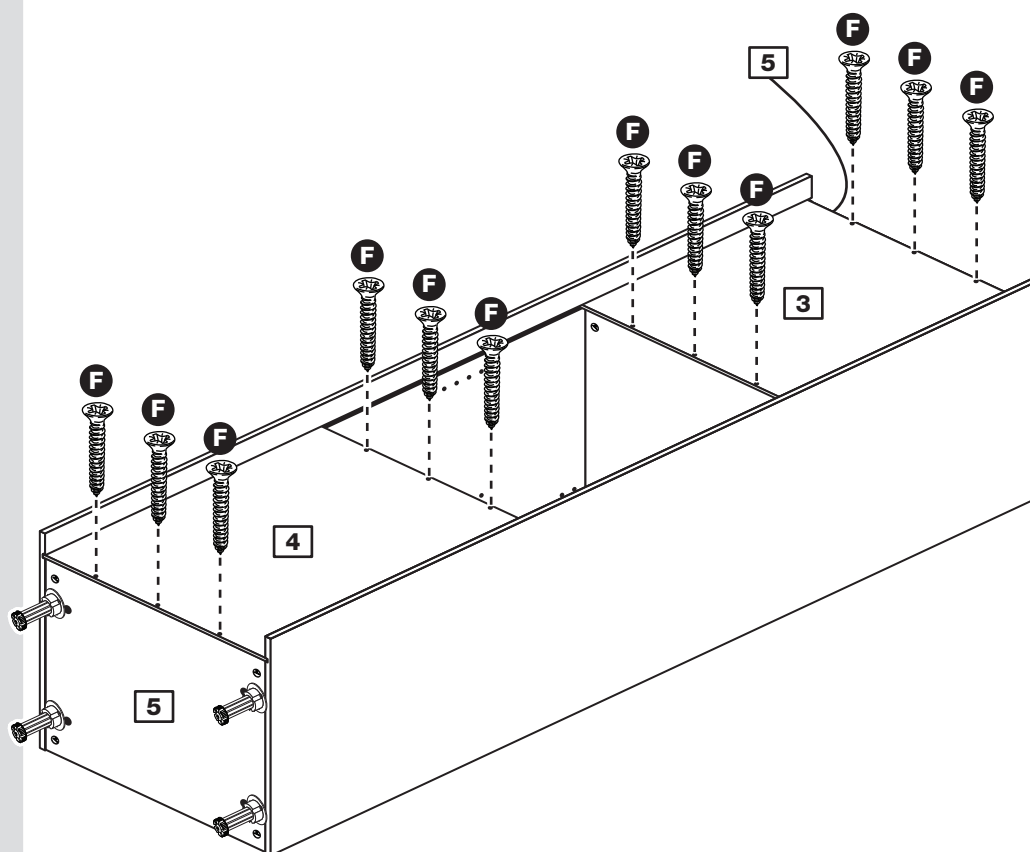
Slide the upper back **3** along the grooves in the side panels **1** and **2**.

Slide the lower back **4** along the grooves in the side panels **1** and **2**.

The top edge of the upper back **3** must be flush with the top edge of the top **5**.

The bottom edge of the lower back **4** must be flush with the bottom edge of the base **5**.

Secure the top and bottom of the 2 backs **3** and **4** to the unit using 12 screws **F** as shown.



Assembly Instructions

Step 12

Joining units together

Fittings have been supplied so you are able to join units together.

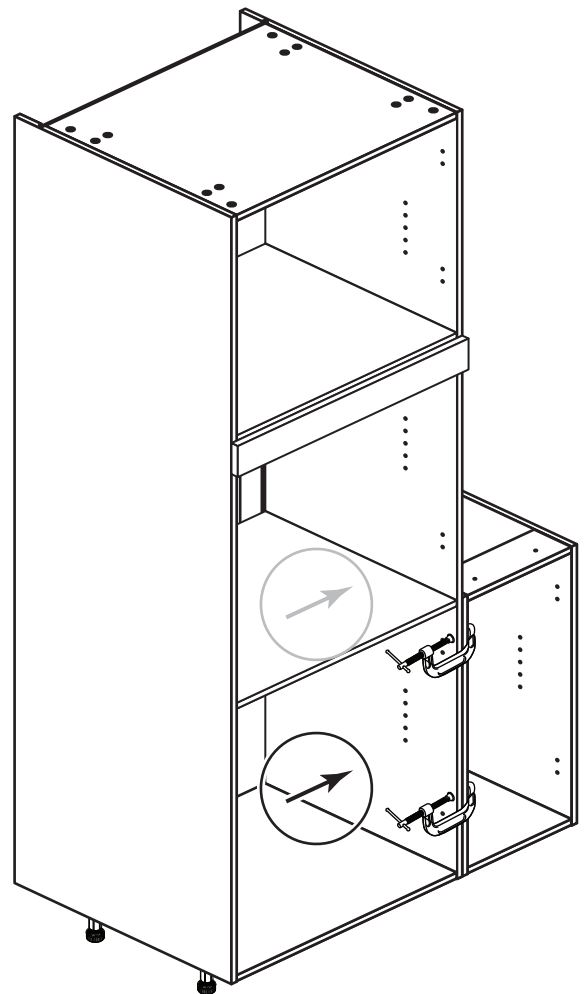
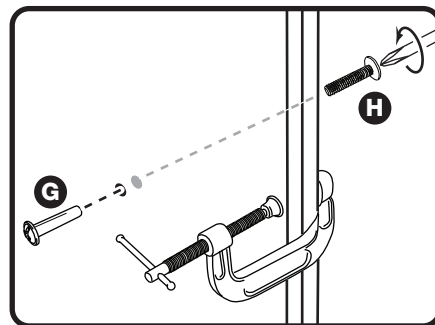
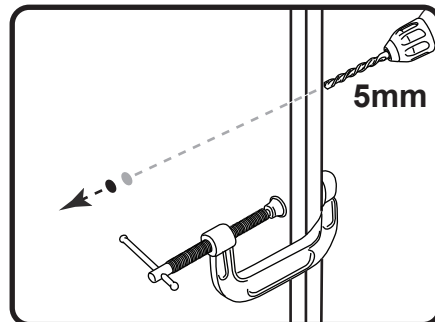
Make sure that your first unit is level.

Push the other unit up against first unit and ensure both units are level.

Check that the ends are flush and in line, then clamp them together.

Using a 5mm drill bit, drill 2 holes (approximate positions shown circled) in the side panel into the adjoining side panel of the other unit.

Push the connecting sleeves **G** into the holes and then screw the connecting bolts **H** in from the other side.



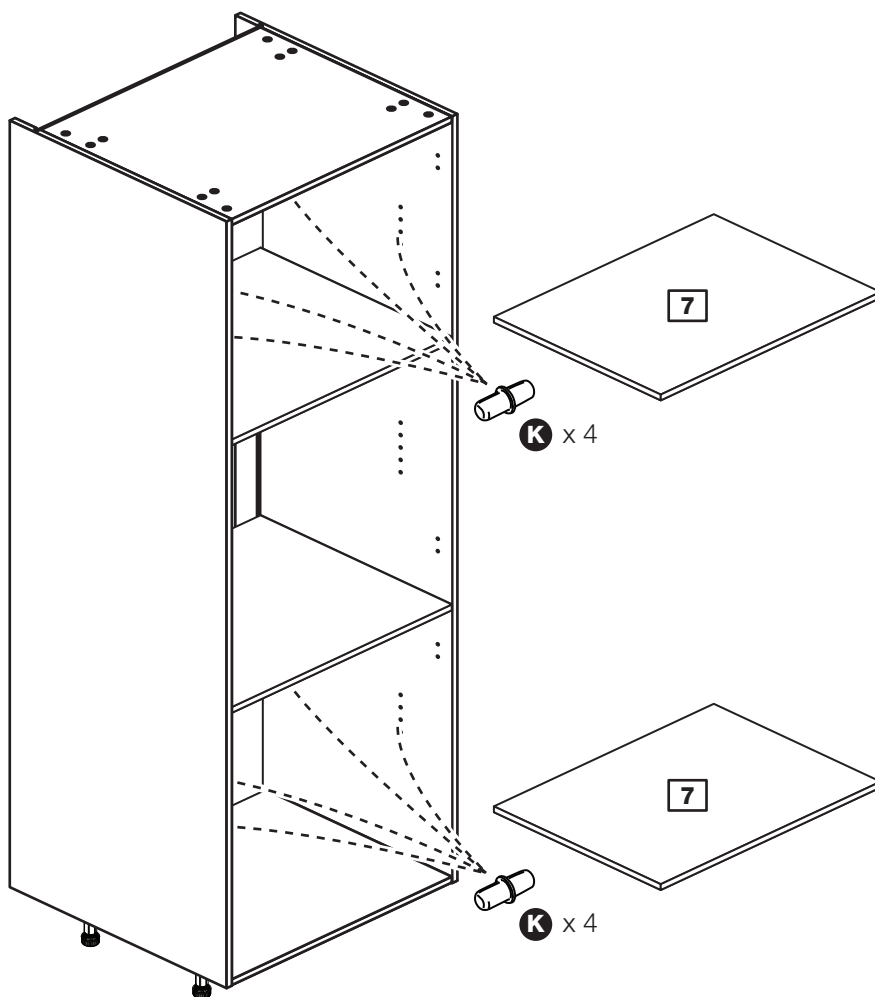
Assembly Instructions

Step 13

Fit the loose shelves

Insert 4 shelf studs **K** at the required height for each of the shelves **7**.

Lower the loose shelves **7** down onto the shelf studs **K**.



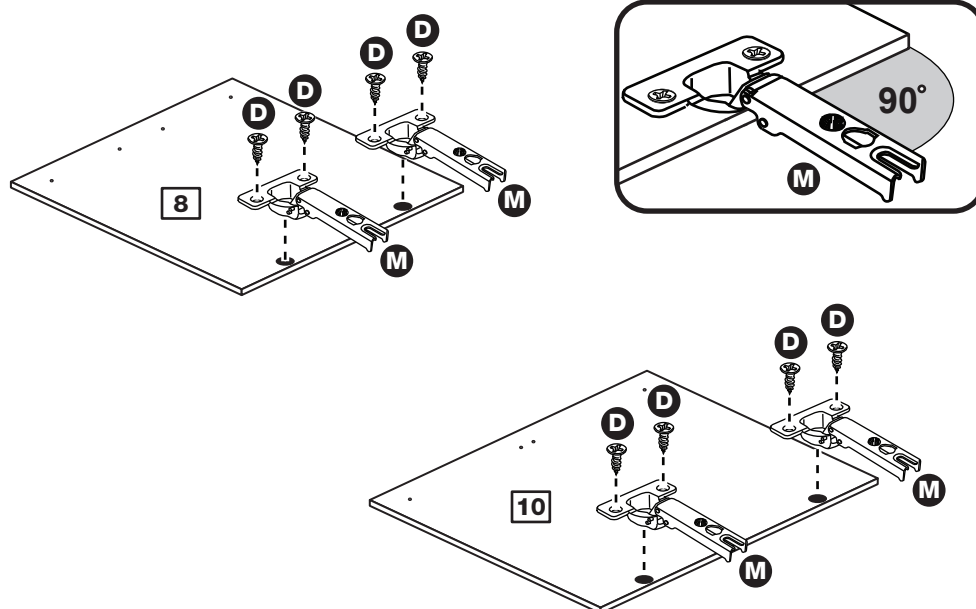
Step 14

Prepare the doors

Push fit 2 hinges **M** into the drawerline door **8** and door **10**.

Secure each hinge **M** with 2 screws **D**.

Note: Before securing with the screws, make sure that the hinges are positioned at 90 degrees with the front edge of the door.



Assembly Instructions

Step 15

Drill the handle holes in the doors

Important: Please follow these instructions carefully.

Lay the doors **8** and **10** down onto a smooth surface.

Important: Carefully choose which holes you need to drill. This will depend on which side you fitted the hinge plates **L**.

Check that the holes and hinges are in the same place as the diagrams.

Using the pilot hole in the rear face of the door, drill through the holes indicated opposite, using a 2.5mm diameter drill.

Turn the door over and open out the 2.5mm holes that you have just drilled by drilling back through them with a 5mm drill.

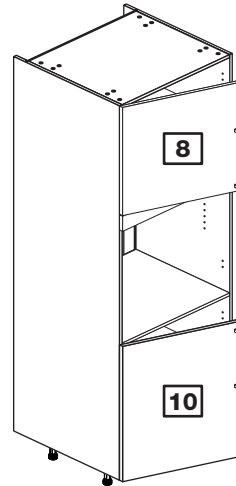
Note: Drill bits are not provided.

Fit a soft close fitting **N** onto the 1 hinge shown on each door. Push the hooks on the soft-close fitting into the holes on the hinge and then press down to click into place.

PLEASE FOLLOW THESE INSTRUCTIONS CAREFULLY TO CHOOSE WHICH 2 HOLES YOU WILL NEED TO DRILL

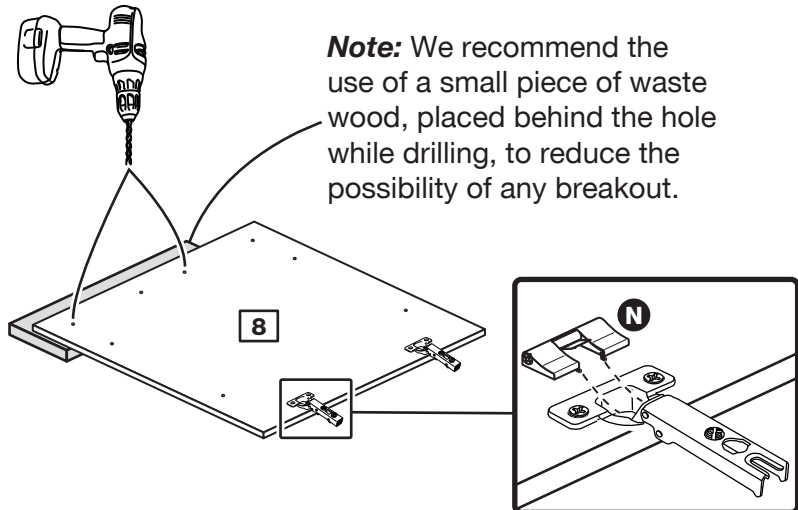
Important

ONLY drill the 2 holes in each door shown here if you have fitted the hinges to the **LEFT** side.



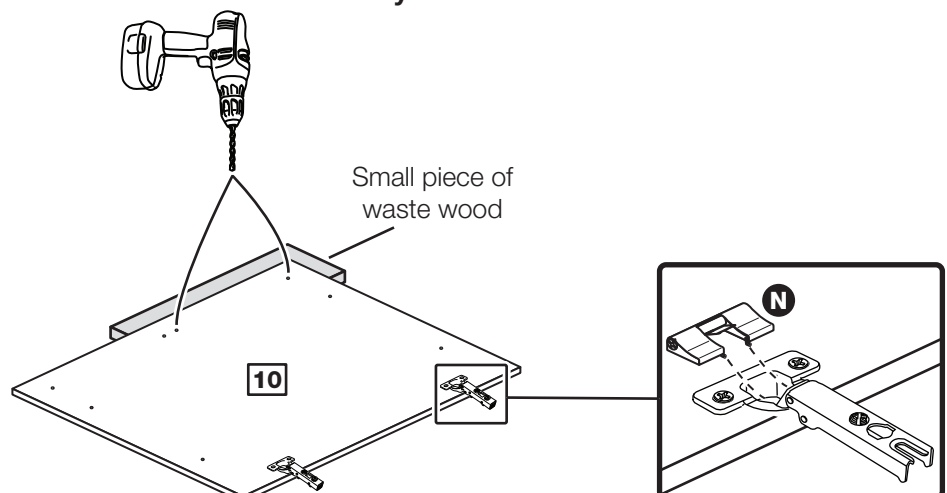
If you have fitted the hinges on the **RIGHT** side, go to the next step.

ONLY drill these 2 holes **DO NOT** drill any other holes



Note: We recommend the use of a small piece of waste wood, placed behind the hole while drilling, to reduce the possibility of any breakout.

ONLY drill these 2 holes **DO NOT** drill any other holes



Small piece of waste wood

Assembly Instructions

Step 16

Drill the handle holes in the doors

Important: Please follow these instructions carefully.

Lay the doors **8** and **10** down onto a smooth surface.

Important: Carefully choose which holes you need to drill. This will depend on which side you fitted the hinge plates **L**.

Check that the holes and hinges are in the same place as the diagrams.

Using the pilot hole in the rear face of the door, drill through the holes indicated opposite, using a 2.5mm diameter drill.

Turn the door over and open out the 2.5mm holes that you have just drilled by drilling back through them with a 5mm drill.

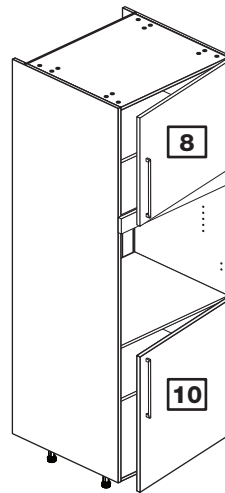
Note: Drill bits are not provided.

Fit a soft close fitting **N** onto the 1 hinge shown on each door. Push the hooks on the soft-close fitting into the holes on the hinge and then press down to click into place.

PLEASE FOLLOW THESE INSTRUCTIONS CAREFULLY TO CHOOSE WHICH 2 HOLES YOU WILL NEED TO DRILL

Important

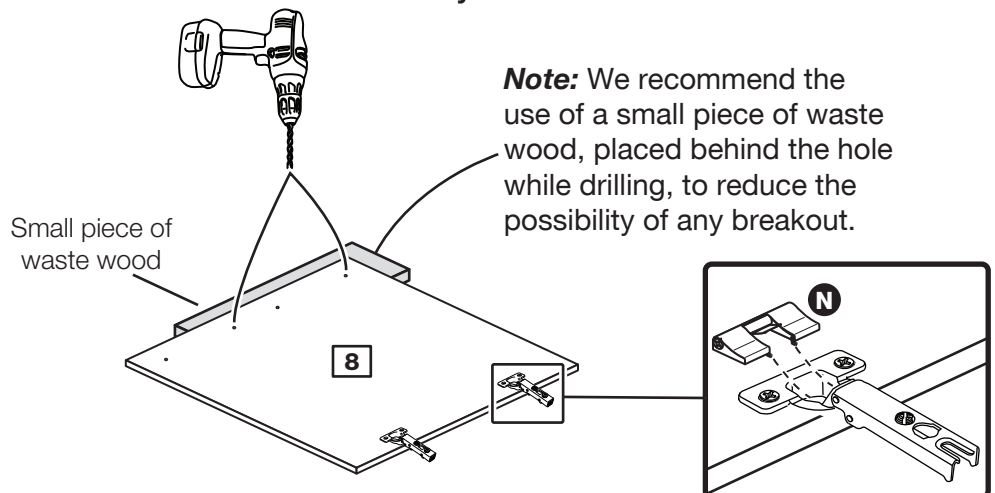
ONLY drill the 2 holes in each door shown here if you have fitted the hinges to the **RIGHT** side.



If you have fitted the hinges on the **LEFT** side, go to the previous step.

ONLY drill these 2 holes

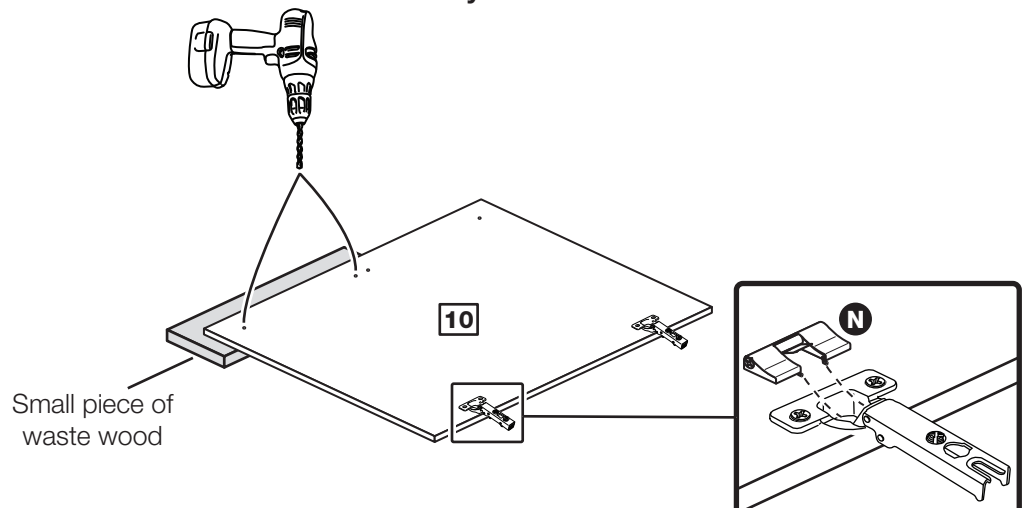
DO NOT drill any other holes



Note: We recommend the use of a small piece of waste wood, placed behind the hole while drilling, to reduce the possibility of any breakout.

ONLY drill these 2 holes

DO NOT drill any other holes



Assembly Instructions

Step 17

Fit doors and handles

Note: The easiest way to attach each door **8** and **10** is to fit the top hinge first, then align and fit the other hinges.

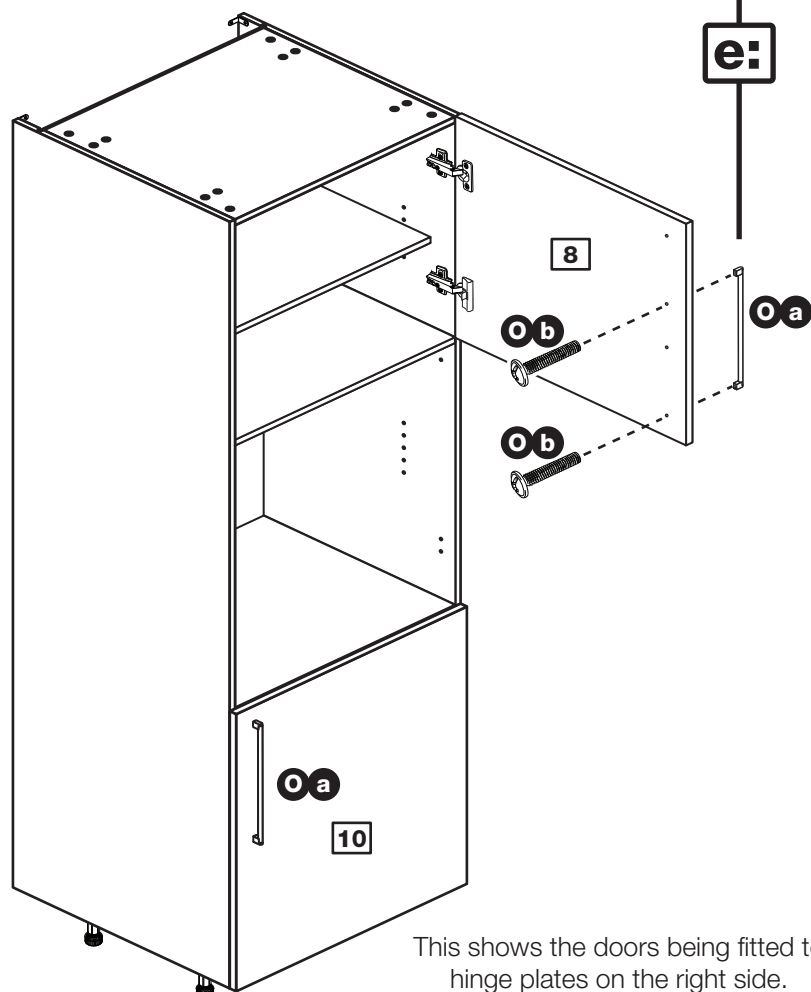
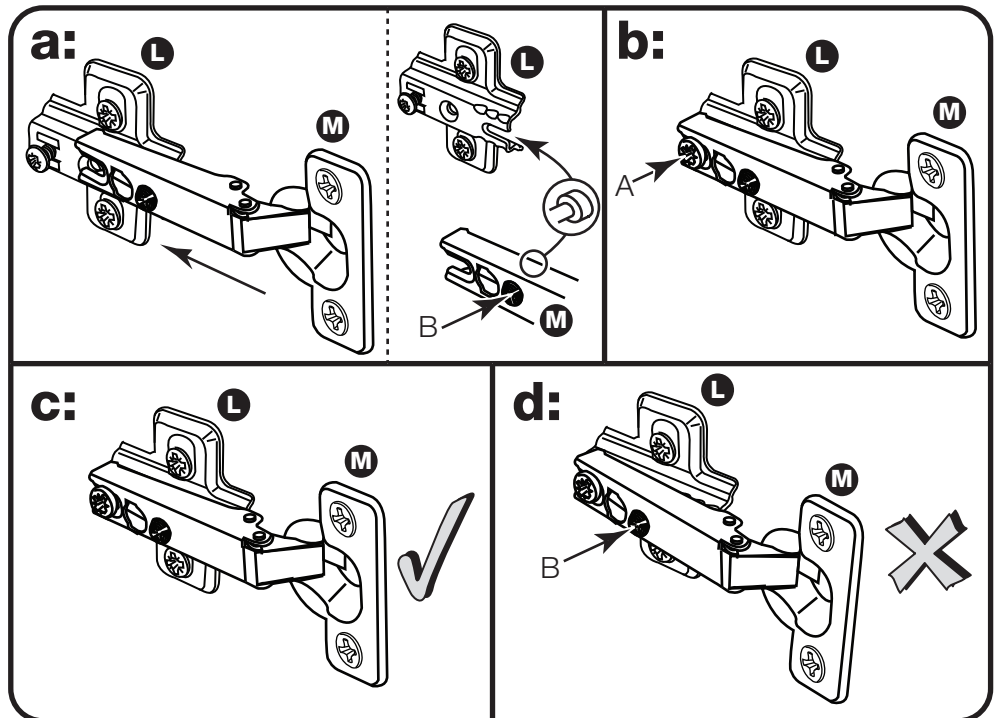
a: Push the hinge **M** onto the front part of the hinge plate **L**. The recess at the bottom of screw B goes into the slot in the hinge plate.

b: Keep the hinge **M** FLAT against the hinge plate **L** as you slide it across as far as it will go. Tighten screw A.

c: The hinge **M** must be flat against the hinge plate **L** prior to any adjustment.

d: The hinge **M** must NOT be AT AN ANGLE to the hinge plate **L** when assembled. This would indicate that the recess at the bottom of screw B had not located in the slot in the hinge plate and the hinge would not be secure. Remove the hinge from the hinge plate and then re-assemble being careful to follow instructions a-c.

e: Attach a handle **Oa** to each door **8** and **10** using screws **O b**.



This shows the doors being fitted to hinge plates on the right side. You may have fitted them to the left side.

Assembly Instructions

Step 18

Adjust the doors if needed

a: Before adjusting the doors, use a spirit level to check the base (or top) of the unit is level, front-to-back and side-to-side in the 3 positions shown. Use suitable packing pieces (not supplied) to make the unit level BEFORE making any adjustment to the hinges, as shown.

b: Height adjustment.

Loosen screws A on hinge plates and move door up or down as required. Retighten screw A.

c: Forward and Back adjustment.

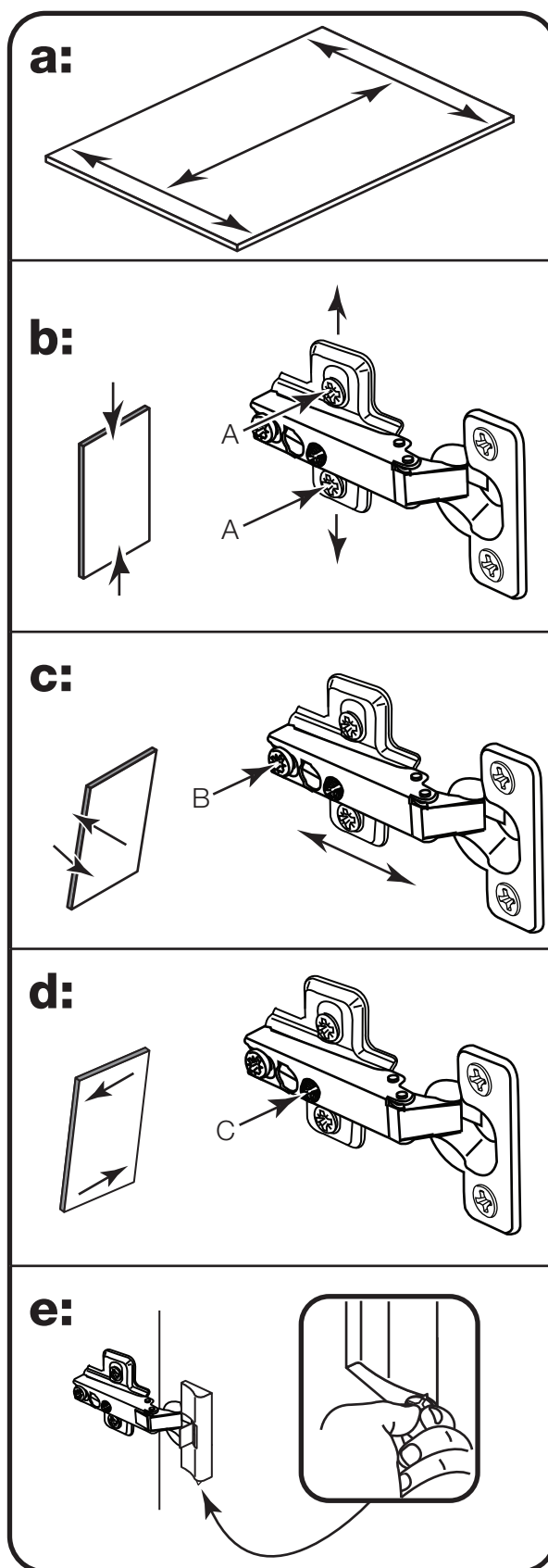
Loosen screw B on hinge plate and move door in or out as required. Retighten screw B.

d: Sideways adjustment.

To move door 'out' loosen screw C. To move door 'in' tighten screw C.

e: Soft close adjustment.

To adjust the damping force on the soft-close fittings, turn towards the '+' to increase and towards the '-' to decrease.



Assembly Instructions

Step 19

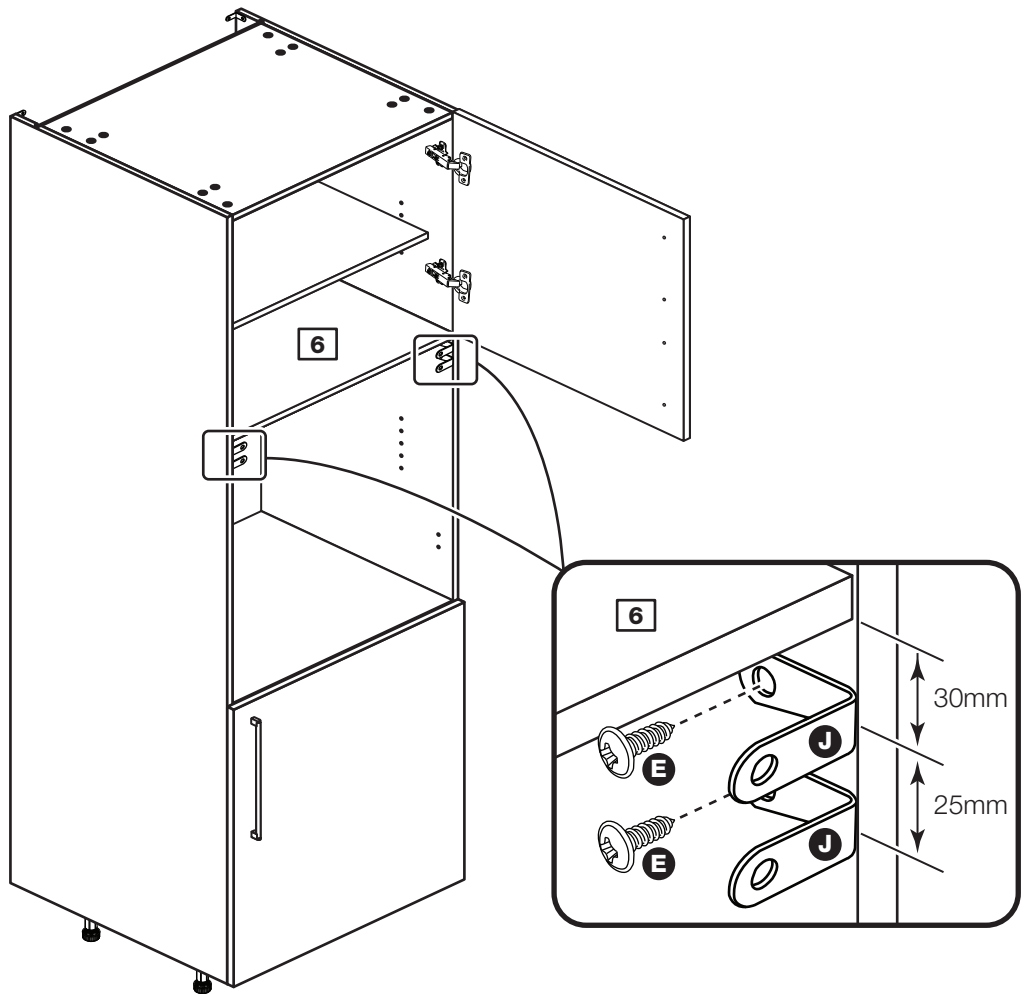
Fit 4 brackets

Fit 4 brackets **J** underneath the upper fixed shelf **6** using the positions shown in the diagram.

Fit the top brackets 30mm down from the bottom edge of the fixed shelf.

Fit the bottom brackets 25mm down from the 1st one.

The brackets must be flush to the front edge of the side panels.

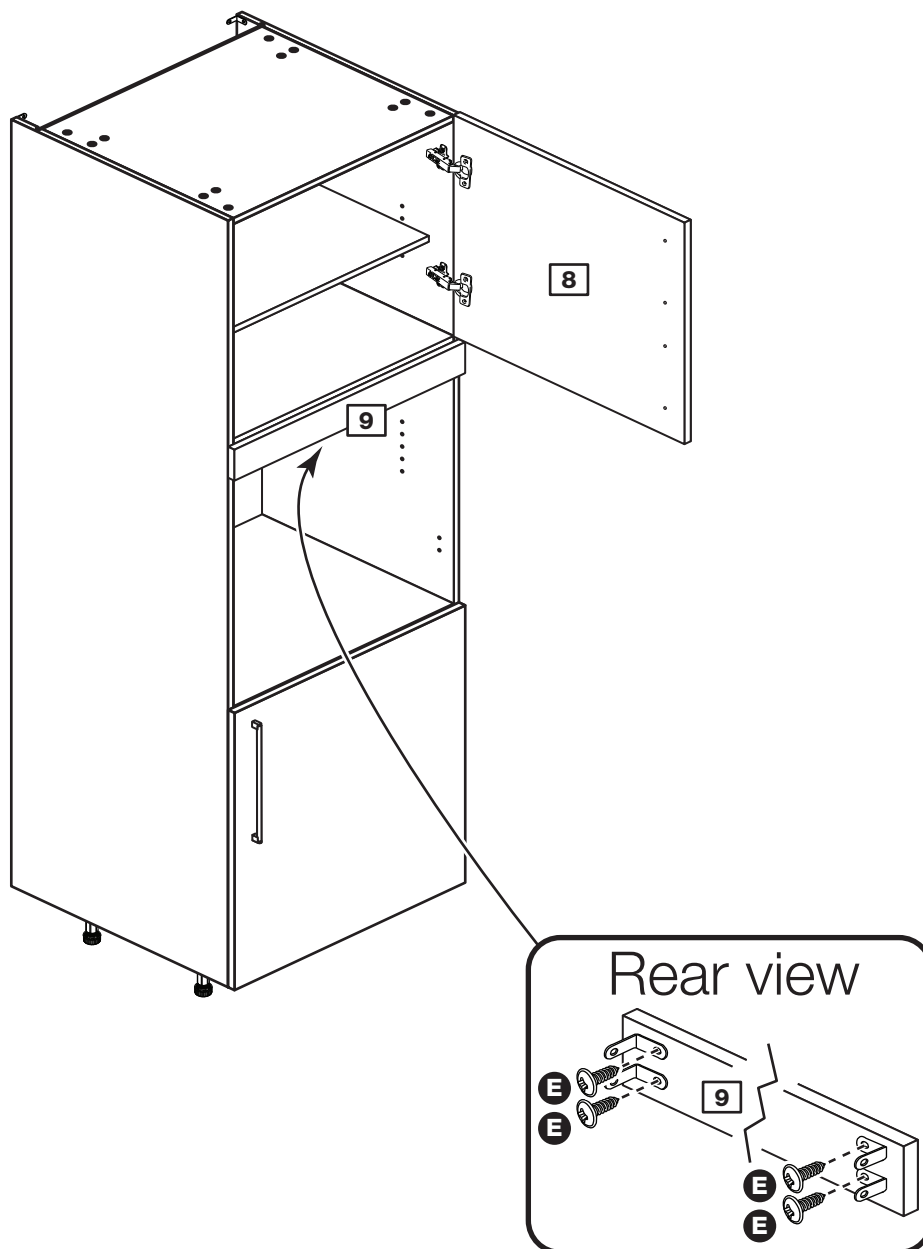


Assembly Instructions

Step 20

Fit the appliance fascia

Fit the appliance fascia **9** underneath the drawerline door **8** and flush to the sides using 4 screws **E** through the brackets **J**.



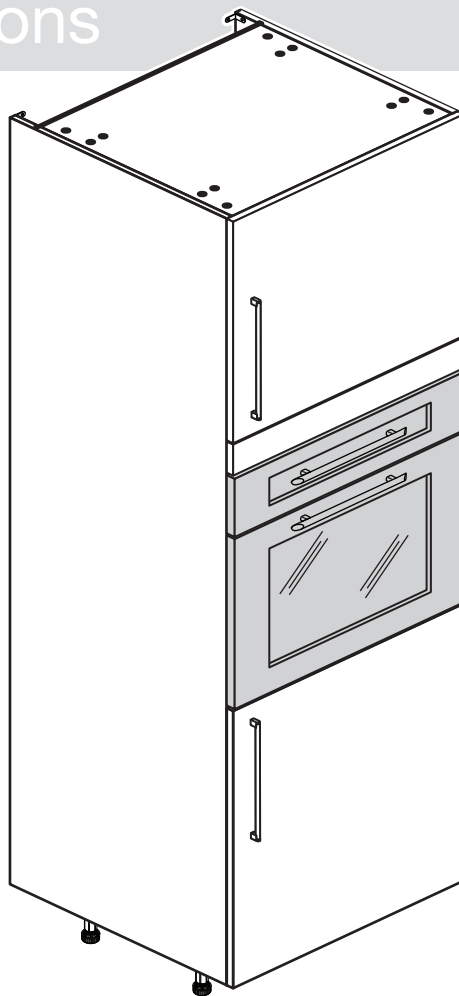
Assembly Instructions

Step 21

Install the oven

Please refer to the instructions that were supplied with the oven.

We recommend that you contact a registered installer.



Step 22

Fit the plinth

After cutting the plinth to the required length, offer the plinth up to the unit and using a pencil, mark the position of the unit's legs **1b** on the back of the plinth.

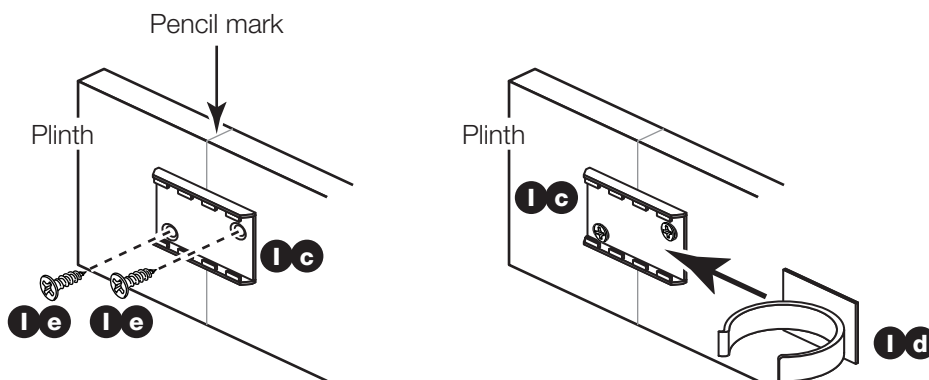
Position the leg bracket **1c** so it is in the centre of the pencil mark and half way up the plinth.

Fix the leg bracket **1c** to the back of the plinth using 2 screws **1e**.

Slide the leg clip **1d** into the leg bracket **1c**.

Offer the plinth up to the unit and push the leg clips **1d** onto the legs **1b**.

Black Plinth Pack	608/2345
Cream Plinth Pack	608/2369
Oak Plinth Pack	205/5668
White Gloss Plinth Pack	608/2352
White HN Plinth Pack	198/9917



Assembly Instructions

Step 23

Fit other products to the unit

To fit other products to this unit e.g. worktops etc., please follow the instructions packed with them.

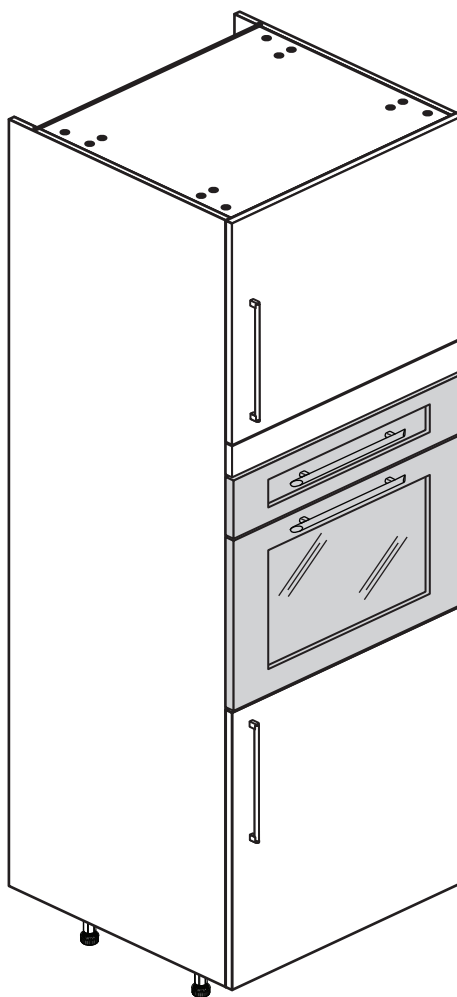
We recommend that you consult a qualified joiner or kitchen fitter.

Note: Now the assembly has finished you can remove any protective film from the panels.

Assembly is complete



Warning: The unit is heavy. Lift with care.



If you need help or have damaged or missing parts, call the **Customer Helpline: 03456 400800** and quote the reference numbers on the component pages.

Argos Ltd, 489-499 Avebury Boulevard, Central Milton Keynes, MK9 2NW