

Athina - 500 Wall Unit

Assembly Instructions - Please keep for future reference

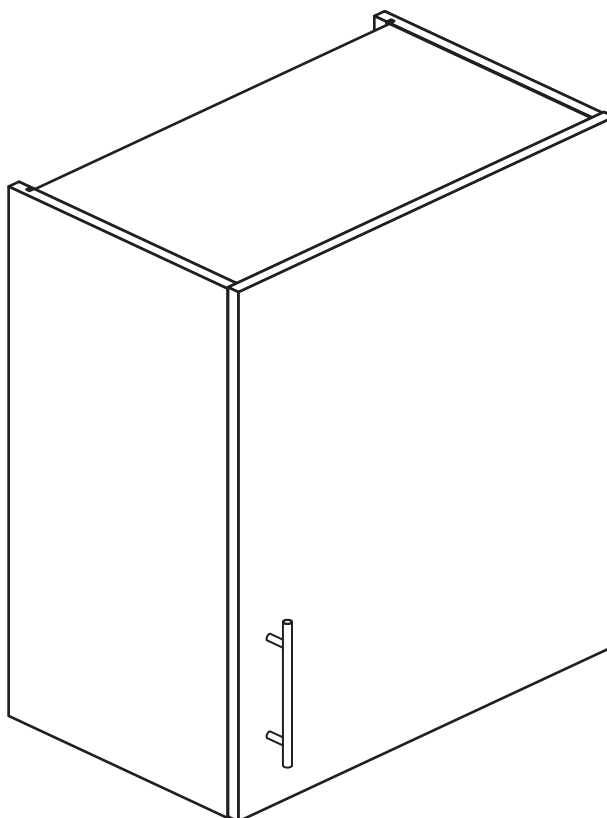
608/0835

608/0952

608/0897

608/1016

608/3007



Dimensions

Width - 50cm

Depth - 29cm

Height - 70cm



**MADE IN
BRITAIN**

Important - Please read these instructions fully before starting assembly

If you need help or have damaged or missing parts, call the **Customer Helpline: 08456 400800**



Safety and Care Advice

Important - Please read these instructions fully before starting assembly

- **Warning:** This unit weighs approximately 14kgs. Please lift with care.

- Check you have all the components and tools listed on pages 2 and 3.

- Remove all fittings from the plastic bags and separate them into their groups.

- Keep children and animals away from the work area, small parts could choke if swallowed.

- Make sure you have enough space to layout the parts before starting.

- Do not stand or put weight on the product, this could cause damage.

- Assemble the item as close to its final position (in the same room) as possible.

- Assemble on a soft level surface to avoid damaging the unit or your floor (use opened out unit carton).



- We do not recommend the use of power drill/drivers **for inserting screws**, as this could damage the unit. Only use hand screwdrivers.

- **Safety note:** It is recommended that this unit is secured to a wall using the bracket supplied.

- Dispose of all packaging carefully and responsibly.

Care and maintenance

- Only clean using a damp cloth and mild detergent, do not use bleach or abrasive cleaners.

- From time to time check that there are no loose screws on this unit.

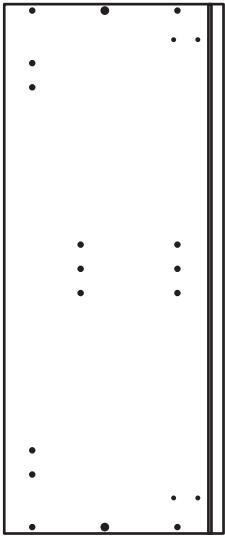
- This product should not be discarded with household waste. Take to your local authority waste disposal centre.

Note: If required the next page can be cut out and used as reference throughout the assembly. Keep this page with these instructions for future reference.

Components - Panels

If you have damaged or missing components, call the **Customer Helpline: 08456 400800** quoting the reference numbers below

Please check you have all the panels listed below



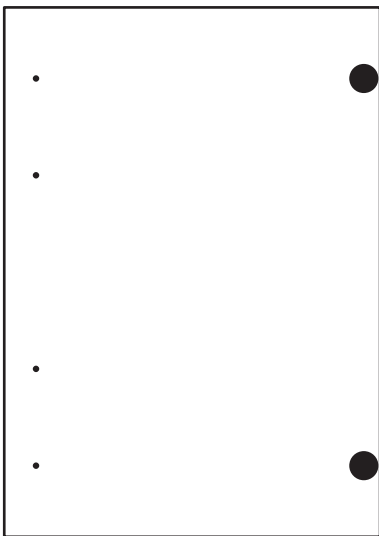
1 Side (D0331A)
(700 x 290mm) x 2



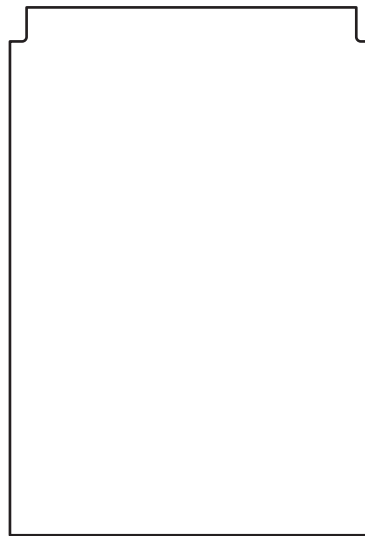
2 Top/Base (D0336A)
(470 x 269mm) x 2



3 Shelf (D0337A)
(470 x 197mm)



4 Door (D0332A)
(700 x 497mm)



5 Back (X737)
(480 x 698mm)

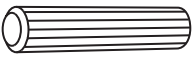
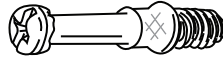

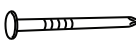

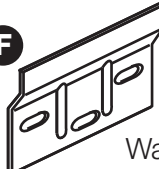



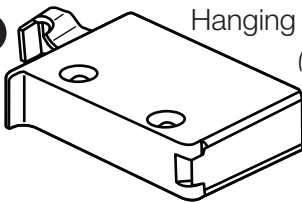
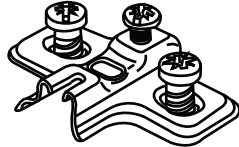
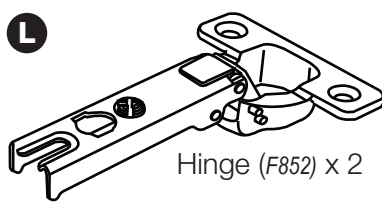
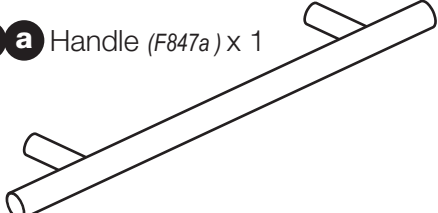
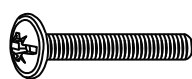


Components - Fittings

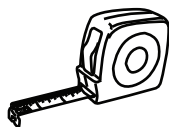
If you have damaged or missing components, call the **Customer Helpline: 08456 400800** quoting the reference numbers below

Please check you have all the fittings listed below

Note: The quantities below are the correct amount to complete the assembly. In some cases more fittings may be supplied than are required.

<p>A </p> <p>Wooden dowel (F22) x 4</p>	<p>B </p> <p>Metal dowel (F901) x 8</p>	<p>C </p> <p>Large locking nut (F900) x 8</p>
<p>D </p> <p>Nail (F51) x 8</p>	<p>E </p> <p>Shelf support (F110) x 4</p>	<p>F </p> <p>This shows a bracket with 3 holes. They can also be supplied with just 2 holes.</p> <p>Wall bracket (F198) x 2</p>
<p>G </p> <p>25mm Screw (F50) x 4</p>	<p>H </p> <p>13mm Screw (F63) x 4</p>	<p>I </p> <p>Door Buffer (F137) x 2</p>
<p>J </p> <p>Hanging bracket (F849) x 2</p>	<p>K </p> <p>Hinge Plate (F853) x 2</p>	<p>L </p> <p>Hinge (F852) x 2</p>
<p>M a  Handle (F847a) x 1</p> <p>M b  Handle Screw (F847b) x 2</p>		

Tools required



Rule



Cross-head screwdriver



Scissors



Hammer

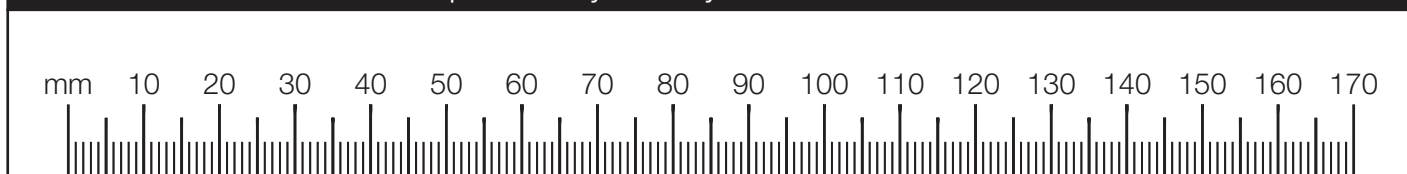


Eye protection (when using a hammer or drill)



Electric drill

Ruler - Use this ruler to help correctly identify the screws



Assembly Instructions

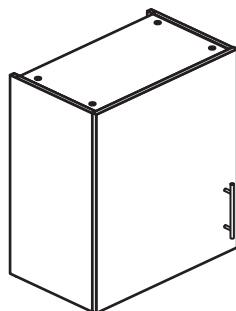
If you have damaged or missing components, call the
Customer Helpline: 08456 400800 quoting the reference
numbers below

Step 1

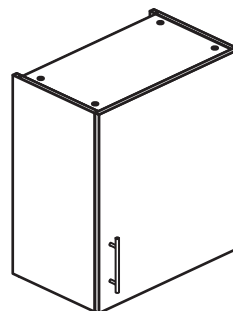
Choose which way you would like the door to open

You can fit the door to the left side or right side.

If you would like your door to open this way, fit the hinge plates to the left side



If you would like your door to open this way, fit the hinge plates to the right side



Step 2

Prepare the left side

Use one of the side panels **1** to make the left side.

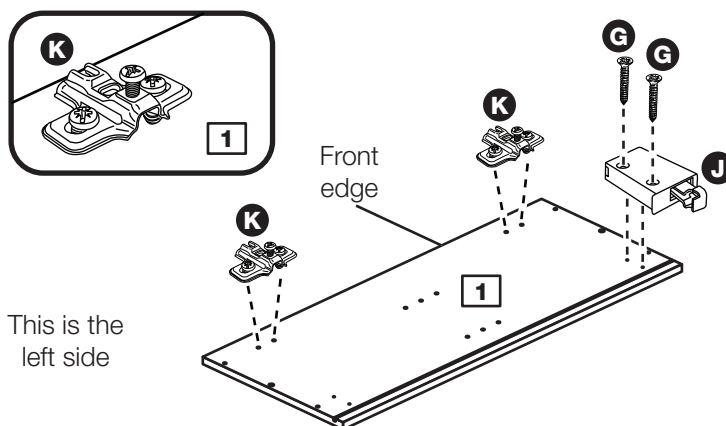
a: If you have chosen to fit the hinge plates to the left side (see step 1), fit 2 hinge plates **K** onto the left side **1**, making sure that the slot is facing towards the front edge.

Fit a hanging bracket to the left side **J** using 2 screws **G**, making sure that the hook is towards the back edge.

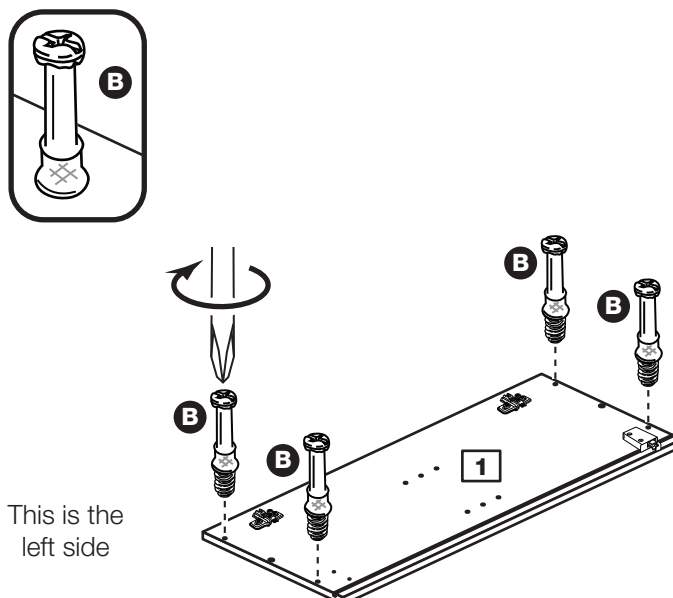
b: Screw 4 metal dowels **B** into the holes on the left side **1** as shown.

Note: Tighten metal dowels up fully against the panels.

a:



b:



Assembly Instructions

Step 3

Prepare the right side

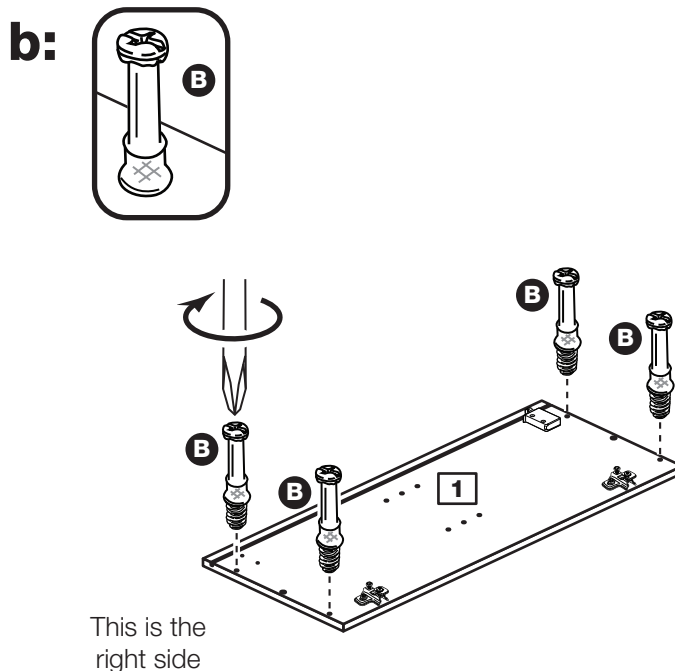
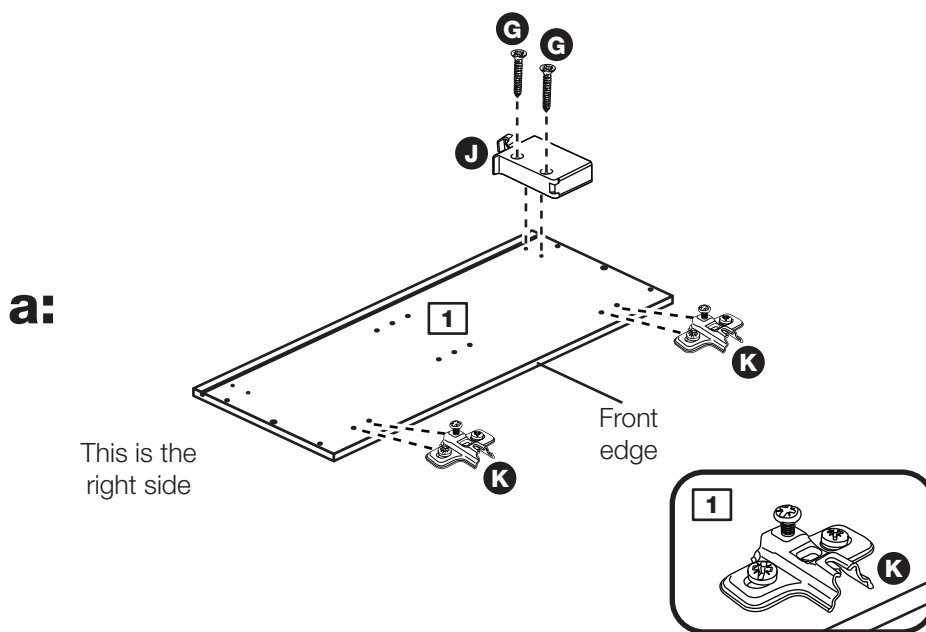
Use one of the side panels **1** to make the right side.

a: If you have chosen to fit the hinge plates to the right side (see step 1), fit 2 hinge plates **K** onto the right side **1**, making sure that the slot is facing towards the front edge.

Fit a hanging bracket **J** to the right side **1** using 2 screws **G**, making sure that the hook is towards the back edge.

b: Screw 4 metal dowels **B** into the holes on the right side **1** as shown.

Note: Tighten metal dowels up fully against the panels.



Assembly Instructions

Step 4

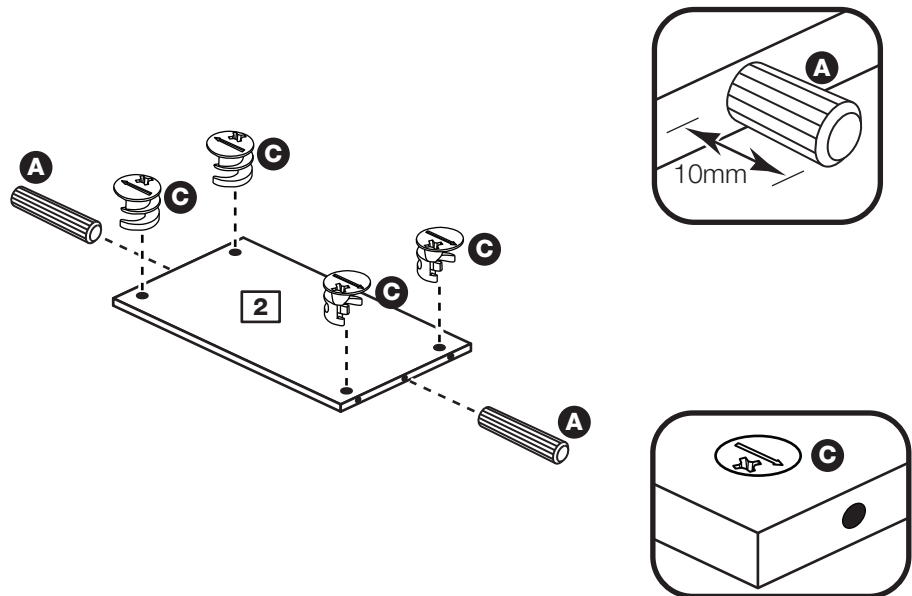
Prepare the top and base

Insert 4 large locking nuts **C** into the 2 top/base panels **2** as shown.

Note: Arrow on locking nut **must** point towards hole in edge of panel.

Tap 2 wooden dowels **A** into the 2 top/base panels **2** as shown.

Note: Wooden dowels **must not** stick out from the edge by more than 10mm or they may damage other panels.



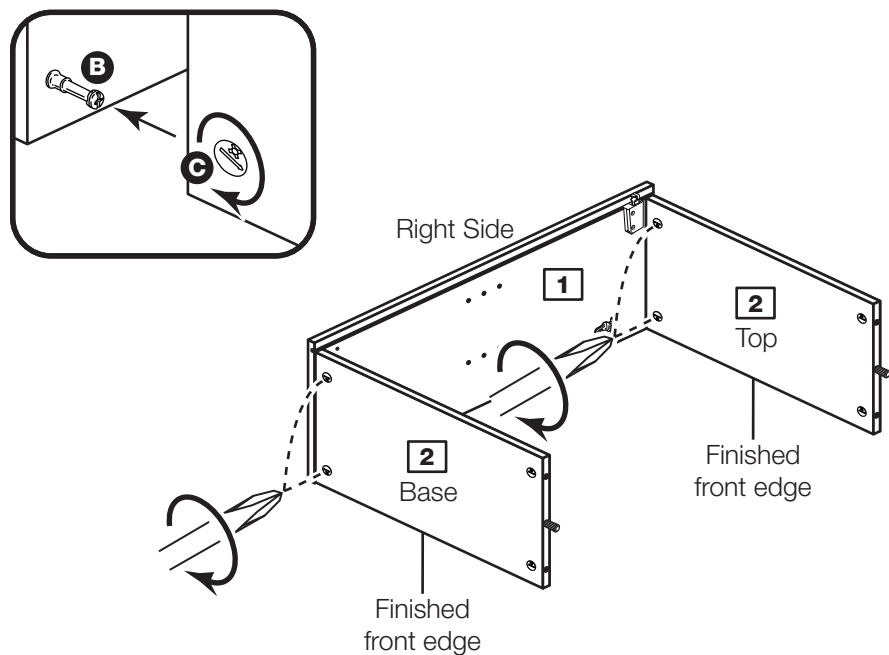
Step 5

Fit the base and top to the right side

Push the base and top panels **2** onto the right side **1**.

Use a screwdriver to tighten the 2 large locking nuts **C** fitted to the base and top **2**.

Note: Turn the large locking nuts **C** as far as they will go - more than 1/2 a turn.



Assembly Instructions

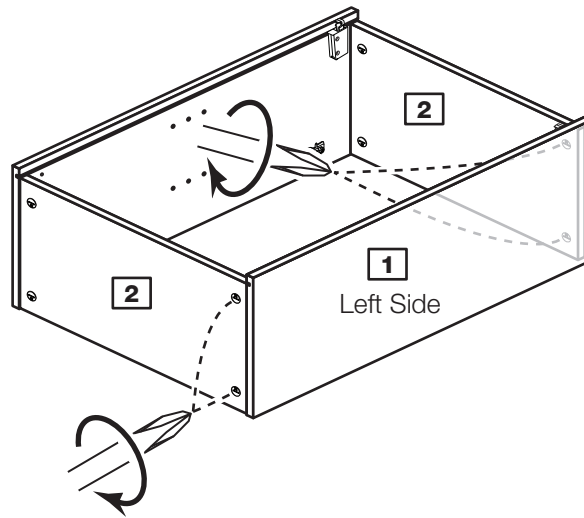
Step 6

Fit the left side

Push the left side **1** onto the base and top panels **2**.

Use a screwdriver to tighten the 2 large locking nuts **C** fitted to the base and top **2**.

Note: Turn the large locking nuts **C** as far as they will go - more than 1/2 a turn.



Step 7

Fit the back

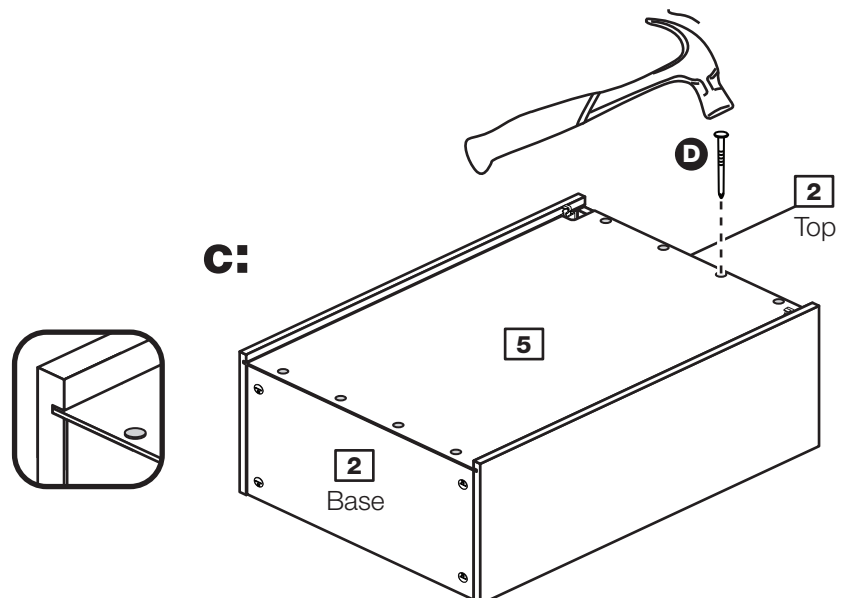
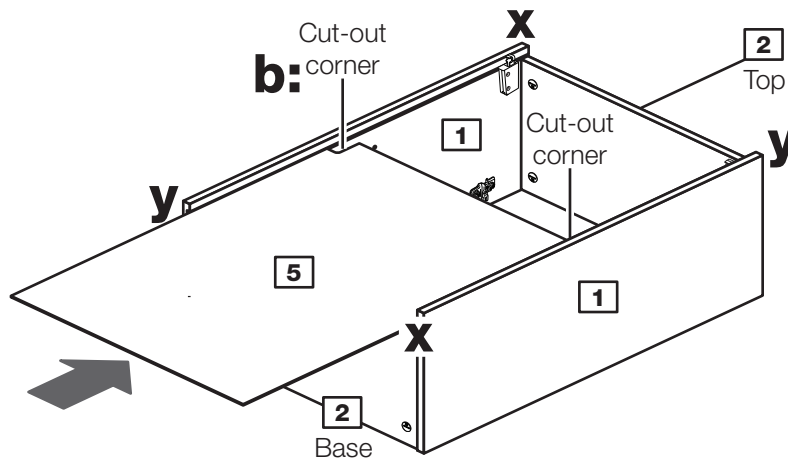
a: Square up the unit by making sure that measurement **x to x** equals **y to y**.

Note: The cut-out corners of the back **5** must be at the top of the unit.

b: Slide the back **5** into the grooves along the side panels **1**. Push it into the grooves until it is flush with the bottom end of the side panels **1**.

c: Secure the back **5** by tapping 4 nails **D** down into the back edge of the base **2** and 4 nails **D** into the back edge of the top **2**.

a: The measurement from top corner X to bottom corner X must be equal to the measurement from top corner Y to bottom corner Y



Assembly Instructions

Step 8

Fit the unit to the wall

To fix the unit to the wall, place the unit in the required position and lightly mark the outline of the top corners of the unit with a pencil.

Fit the 2 wall brackets **F** to the dimensions shown in the top diagram. The screws and plugs are not supplied as they need to be the correct type to suit your wall.



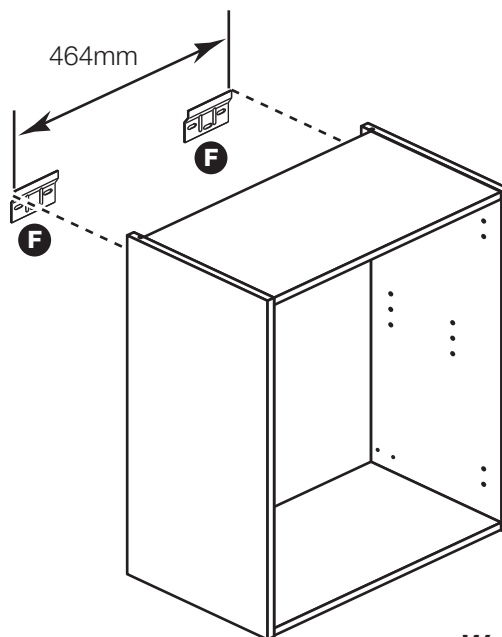
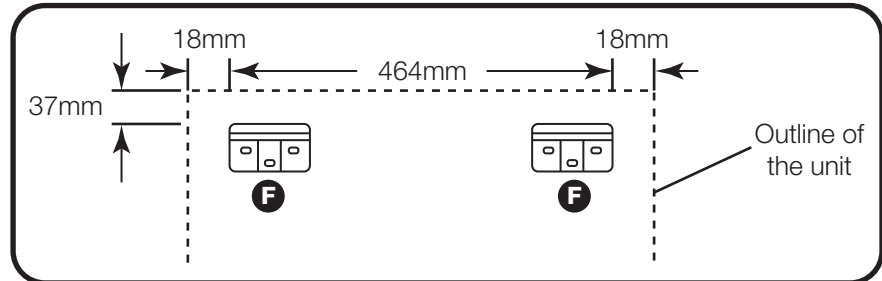
Warning: Take care when drilling the wall that you do not drill into any pipes, wires etc. If in doubt, consult an expert.

Place your unit onto the wall brackets **F**, via the hanging brackets **J** which you have fitted to the sides **1** of the unit.

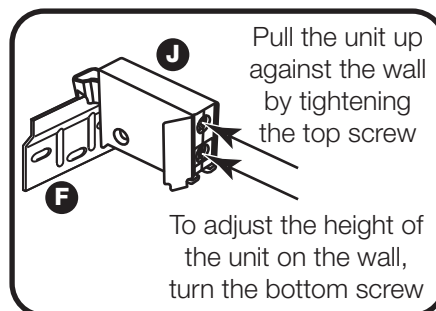
Use the screw in the bottom of the wall brackets **J** to adjust the height of the unit.

Finally, pull the unit up against the wall by tightening up the top screw in the hanging brackets **J**.

Note: The diagrams show the wall brackets with 3 holes. They can also be supplied with just 2 holes.



Warning: The unit is heavy. Lift with care.



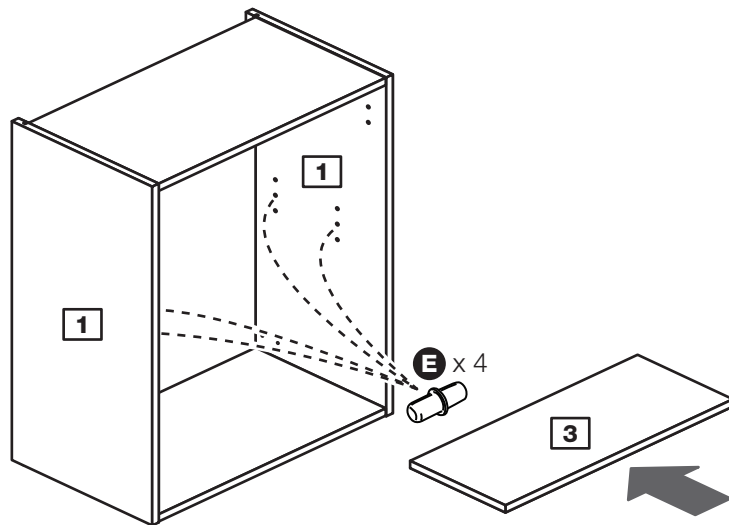
Assembly Instructions

Step 9

Fit the shelf

Push 4 shelf studs **E** into the holes in the side panels **1** at the desired height.

Place the shelf **3** into the unit onto the shelf studs **E**.



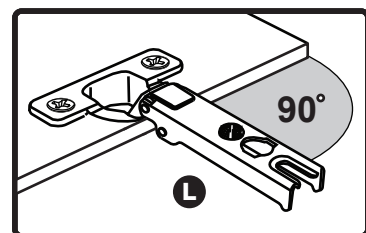
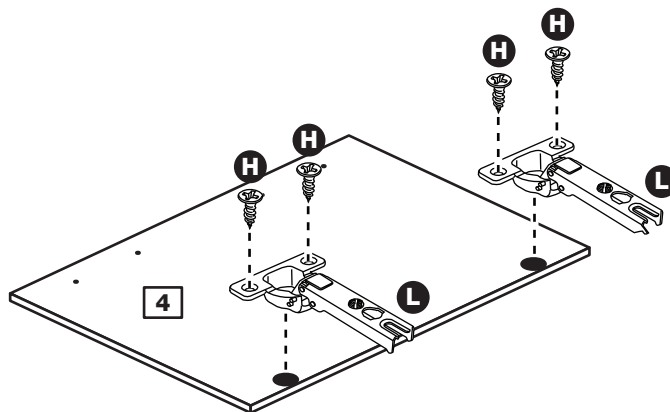
Step 10

Prepare the door

Push fit the 2 hinges **L** into the door **4**.

Secure each hinge with 2 screws **F**.

Note: Before securing with the screws, make sure that the hinges are positioned at 90 degrees with the front edge of the door.



Assembly Instructions

Step 11

Drill the handle holes in the door

Important: Please follow these instructions carefully.

Lay the door **4** down onto a smooth surface.

Important: Carefully choose which holes you need to drill. This will depend on which side **1** you fitted the hinge plates **M**.

Check that the holes and hinges are in the same place as the diagrams.

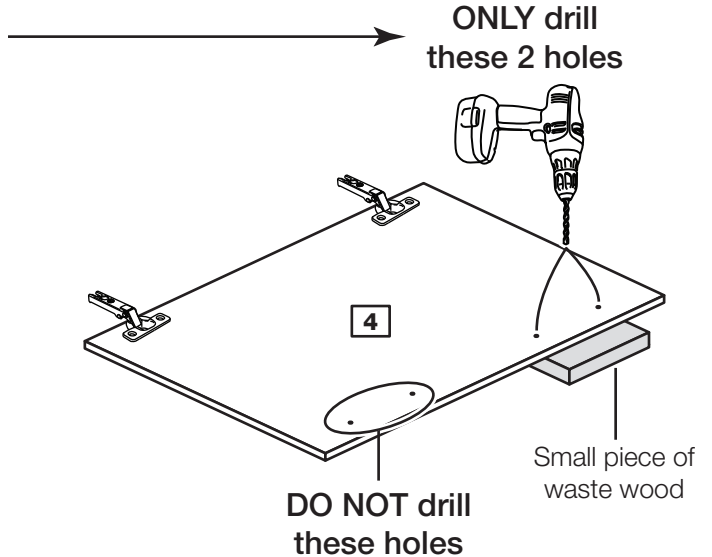
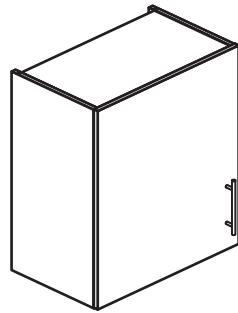
Note: We recommend the use of a small piece of waste wood, placed behind the hole while drilling, to reduce the possibility of any breakout.

Using the pilot hole in the rear face of the door, **4** drill through the holes indicated opposite, using a 2.5mm diameter drill.

Turn the door **4** over and open out the 2.5mm holes that you have just drilled by drilling back through them with a 5mm drill.

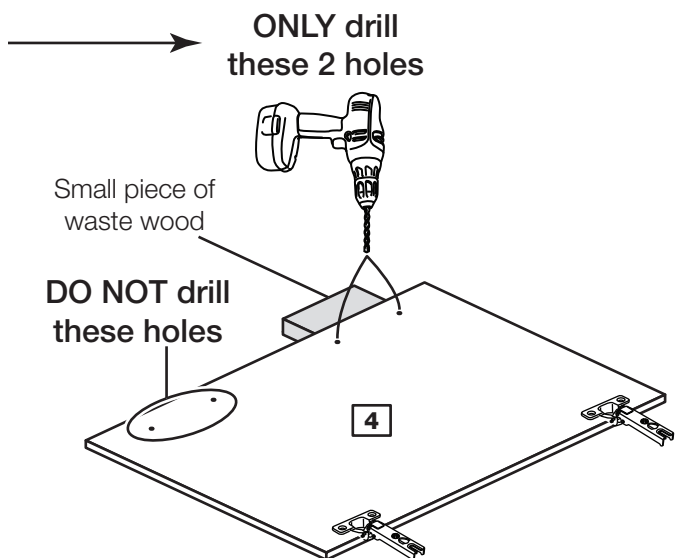
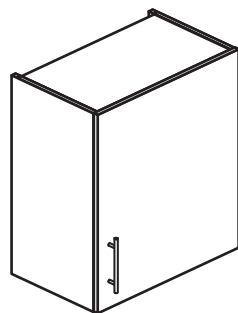
Carefully choose which 2 holes you will need to drill

Drill these 2 holes if you have fitted the hinges to the left side.



or

Drill these 2 holes if you have fitted the hinges to the right side.



Assembly Instructions

Step 12

Fit doors and handles

2 people are needed here

Note: The easiest way to attach the door **4** is to fit the top hinge first, then align and fit the other hinges.

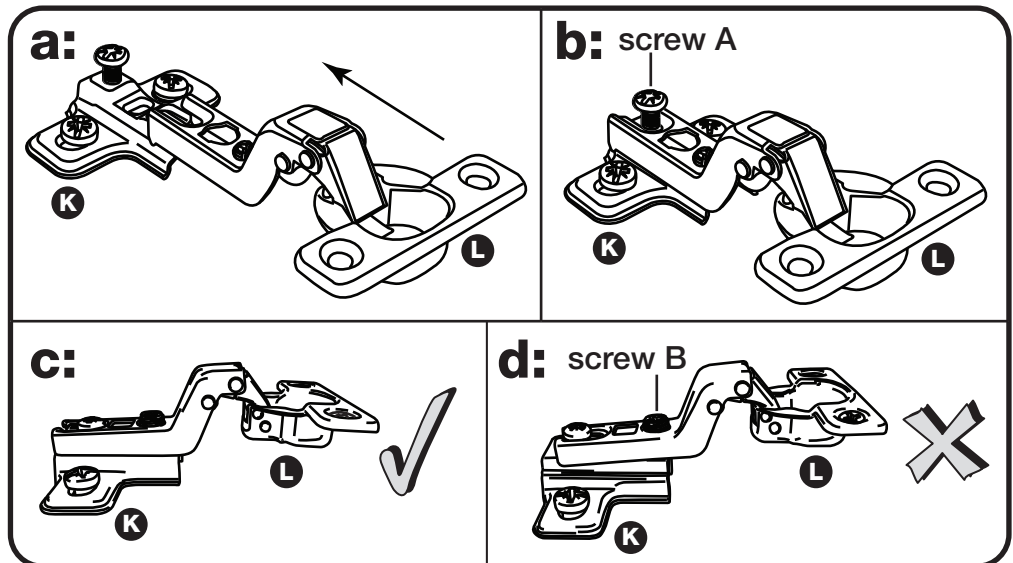
a: Push the hinge **L** onto the front part of the hinge plate **K**.

b: Keep the hinge **L** FLAT against the hinge plate **K** as you slide it across as far as it will go. Tighten screw A.

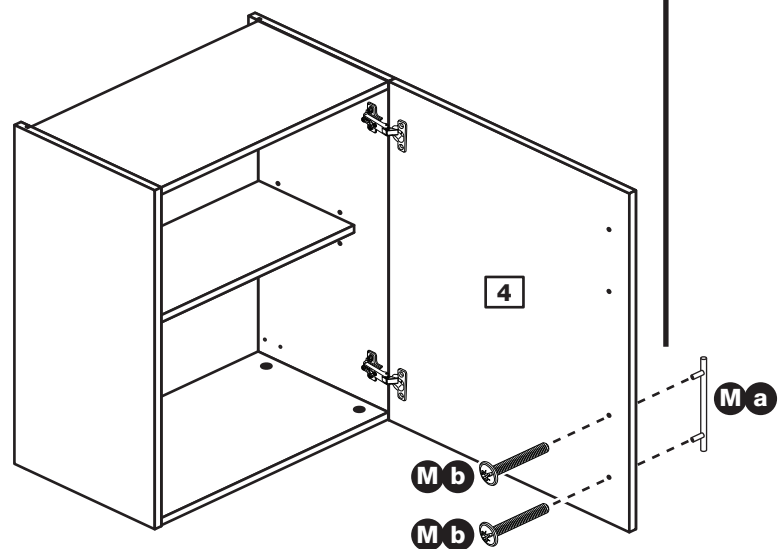
c: The hinge **L** must be flat against the hinge plate **K** prior to any adjustment.

d: The hinge **L** must NOT be AT AN ANGLE to the hinge plate **K** when assembled. This would indicate that the recess at the bottom of screw B had not located in the slot in the hinge plate and the hinge would not be secure. Remove the hinge from the hinge plate and then re-assemble being careful to follow instructions a-c.

e: Attach a handle **M a** to the door **4** using 2 screws **M b**.



This shows the door being fitted to hinge plates on the right side. You may have fitted them to the left side.



Assembly Instructions

Step 13

Adjust the door if needed

a: Height adjustment.

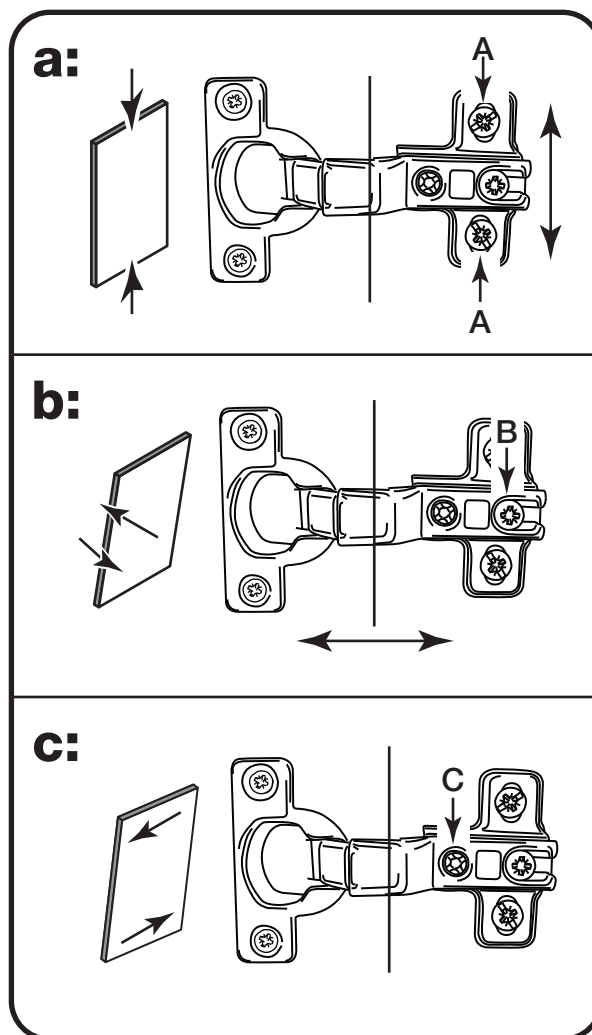
Loosen screws A on hinge plates and move door up or down as required.
Retighten screw A.

b: Forward and Back adjustment.

Loosen screw B on hinge plate and move door in or out as required.
Retighten screw B.

c: Sideways adjustment.

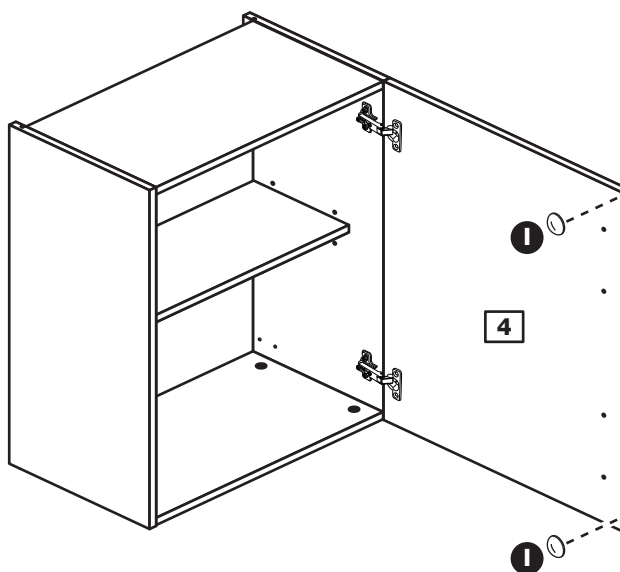
To move door 'out' loosen screw C.
To move door 'in' tighten screw C



Step 14

Fit the door buffers

Stick a door buffer **1** onto the 2 corners of the door **4** as shown, so that they hit the edge of the side panel when the door is closed.



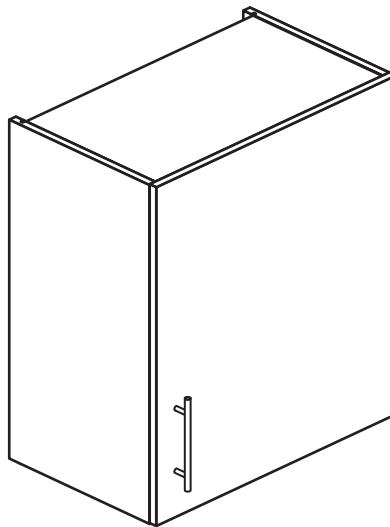
Assembly Instructions

Step 15

Assembly is complete



Warning: The unit is heavy. Lift with care.



If you need help or have damaged or missing parts, call the **Customer Helpline: 08456 400800** and quote the reference numbers on the component pages.
Argos Ltd, 489-499 Avebury Boulevard, Central Milton Keynes, MK9 2NW

Athina - 500 Wall Unit

Assembly Instructions - Please keep for future reference

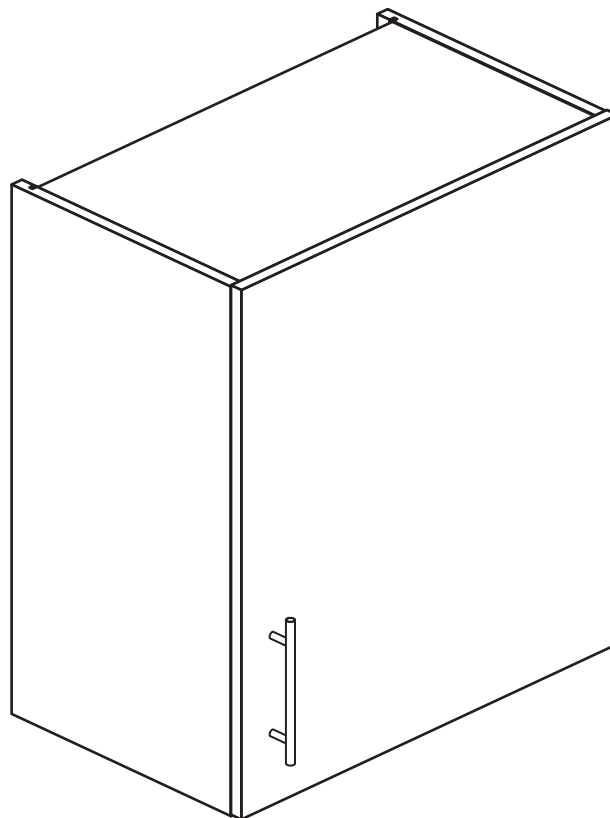
608/0835

608/0952

608/0897

608/1016

608/3007



Dimensions

Width - 50cm

Depth - 29cm

Height - 70cm



**MADE IN
BRITAIN**

Important - Please read these instructions fully before starting assembly

If you need help or have damaged or missing parts, call the **Customer Helpline: 03456 400800**



Safety and Care Advice

Important - Please read these instructions fully before starting assembly

- **Warning:** This unit weighs approximately 14kgs. Please lift with care.

- Check you have all the components and tools listed on pages 2 and 3.

- Remove all fittings from the plastic bags and separate them into their groups.

- Keep children and animals away from the work area, small parts could choke if swallowed.

- Make sure you have enough space to layout the parts before starting.

- Do not stand or put weight on the product, this could cause damage.

- Assemble the item as close to its final position (in the same room) as possible.

- Assemble on a soft level surface to avoid damaging the unit or your floor (use opened out unit carton).



- We do not recommend the use of power drill/drivers **for inserting screws**, as this could damage the unit. Only use hand screwdrivers.

- **Safety note:** It is recommended that this unit is secured to a wall using the brackets supplied.

- Dispose of all packaging carefully and responsibly.

Care and maintenance

- Only clean using a damp cloth and mild detergent, do not use bleach or abrasive cleaners.

- From time to time check that there are no loose screws on this unit.

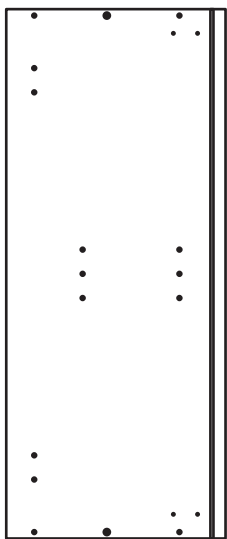
- This product should not be discarded with household waste. Take to your local authority waste disposal centre.

Note: If required the next page can be cut out and used as reference throughout the assembly. Keep this page with these instructions for future reference.

Components - Panels

If you have damaged or missing components, call the **Customer Helpline: 03456 400800** quoting the reference numbers below

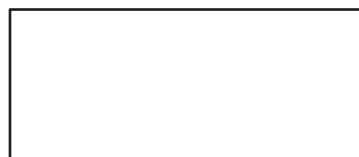
Please check you have all the panels listed below



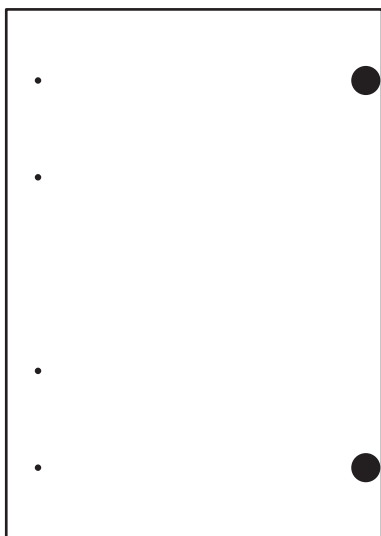
1 Side (D0331B)
(700 x 290mm) x 2



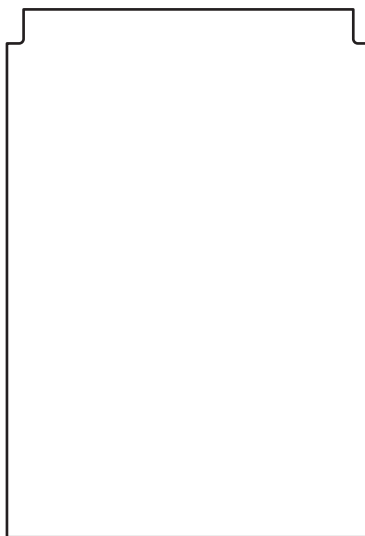
2 Top/Base (D0336A)
(470 x 269mm) x 2



3 Shelf (D0337A)
(470 x 197mm)



4 Door (D0332A)
(700 x 497mm)



5 Back (X737)
(480 x 698mm)

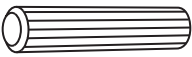
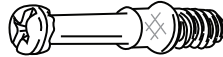

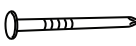





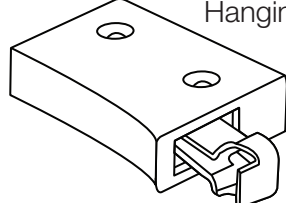
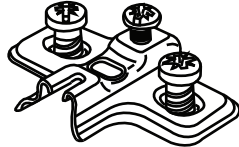
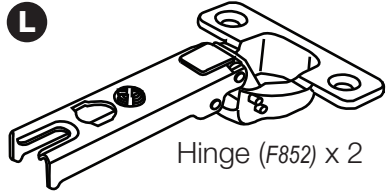
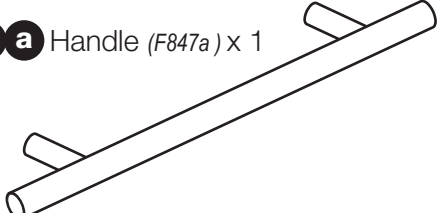
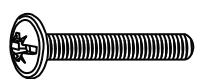


Components - Fittings

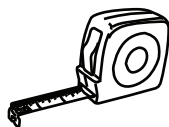
If you have damaged or missing components, call the **Customer Helpline: 03456 400800** quoting the reference numbers below

Please check you have all the fittings listed below

Note: The quantities below are the correct amount to complete the assembly. In some cases more fittings may be supplied than are required.

<p>A </p> <p>Wooden dowel (F22) x 4</p>	<p>B </p> <p>Metal dowel (F901) x 8</p>	<p>C </p> <p>Large locking nut (F900) x 8</p>
<p>D </p> <p>Nail (F51) x 8</p>	<p>E </p> <p>Shelf support (F110) x 4</p>	<p>F </p> <p>Wall bracket (F198) x 2</p>
<p>G </p> <p>25mm Screw (F50) x 4</p>	<p>H </p> <p>13mm Screw (F63) x 4</p>	<p>I </p> <p>Door Buffer (F137) x 2</p>
<p>J </p> <p>Hanging bracket (F181) x 2</p>	<p>K </p> <p>Hinge Plate (F853) x 2</p>	<p>L </p> <p>Hinge (F852) x 2</p>
<p>M a  Handle (F847a) x 1</p> <p>M b  Handle Screw (F847b) x 2</p>		

Tools required



Rule



Cross-head screwdriver



Scissors



Hammer

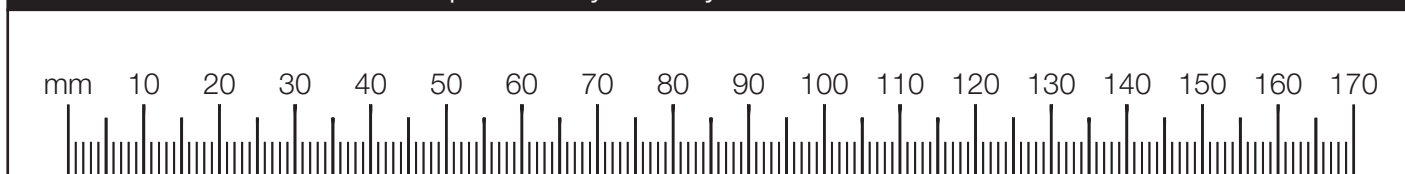


Eye protection (when using a hammer or drill)



Electric drill

Ruler - Use this ruler to help correctly identify the screws



Assembly Instructions

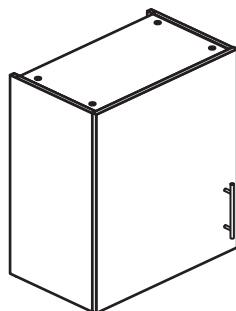
If you have damaged or missing components, call the
Customer Helpline: 03456 400800 quoting the reference
numbers below

Step 1

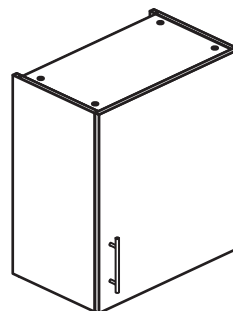
Choose which way you would like the door to open

You can fit the door to the left side or right side.

If you would like your door to open this way, fit the hinge plates to the left side



If you would like your door to open this way, fit the hinge plates to the right side



Step 2

Prepare the left side

Use one of the side panels **1** to make the left side.

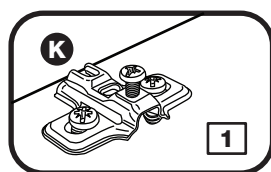
a: If you have chosen to fit the hinge plates to the left side (see step 1), fit 2 hinge plates **K** onto the left side **1**, making sure that the slot is facing towards the front edge.

Fit a hanging bracket to the left side **J** using 2 screws **G**, making sure that the hook is towards the back edge.

b: Screw 4 metal dowels **B** into the holes on the left side **1** as shown.

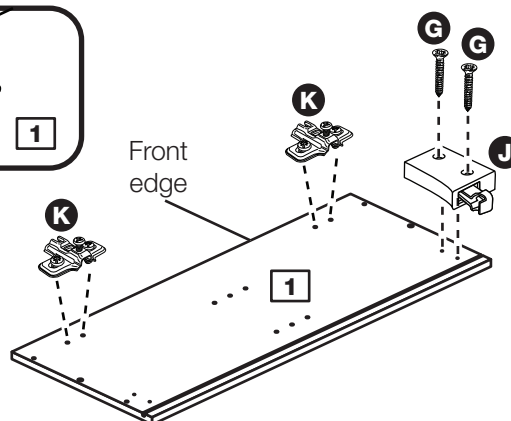
Note: Tighten metal dowels up fully against the panels.

a:

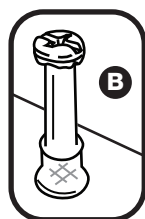


This is the left side

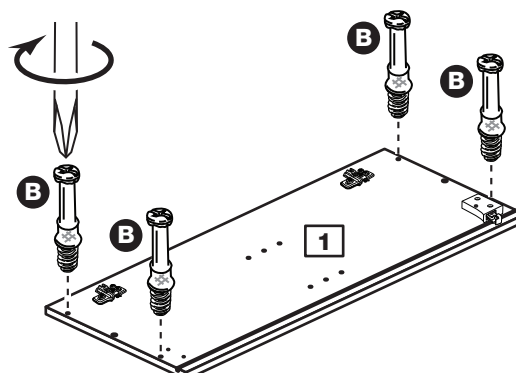
Front edge



b:



This is the left side



Assembly Instructions

Step 3

Prepare the right side

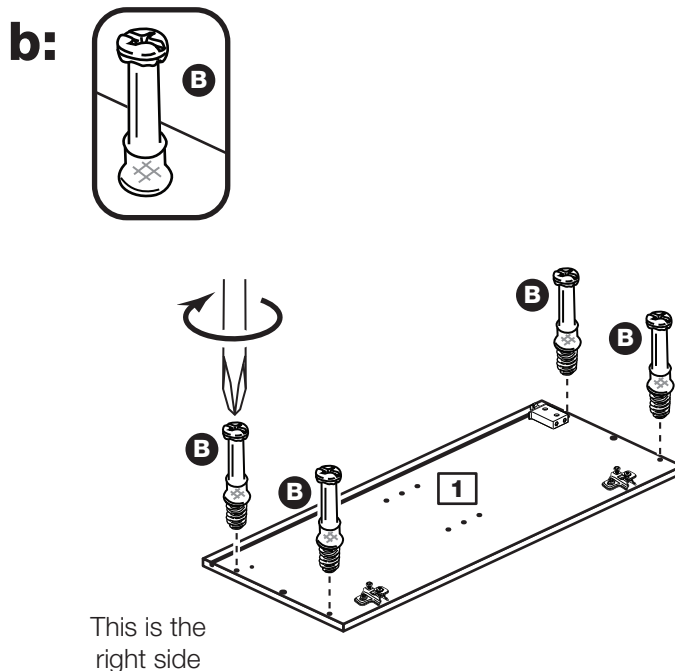
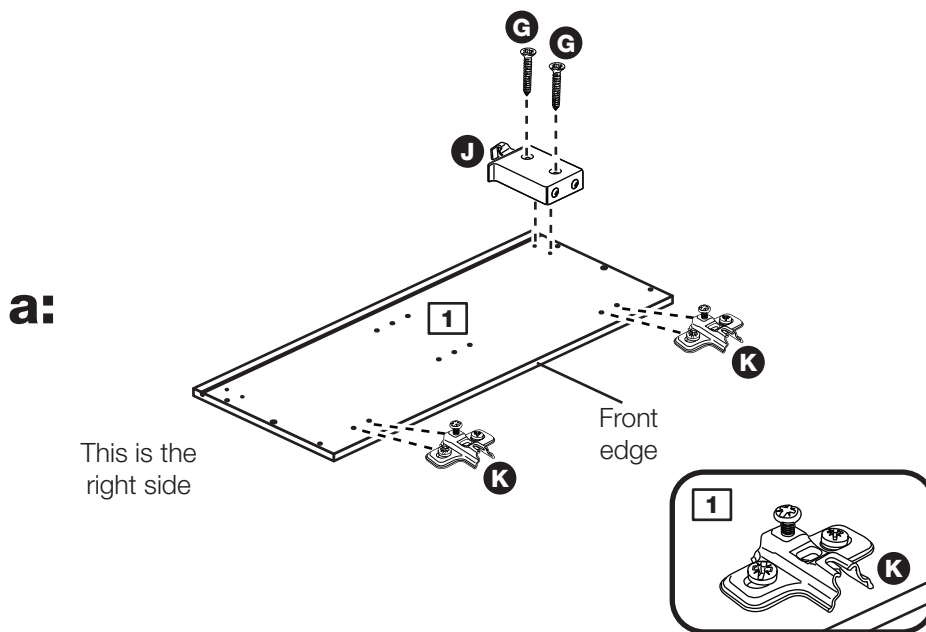
Use one of the side panels **1** to make the right side.

a: If you have chosen to fit the hinge plates to the right side (see step 1), fit 2 hinge plates **K** onto the right side **1**, making sure that the slot is facing towards the front edge.

Fit a hanging bracket **J** to the right side **1** using 2 screws **G**, making sure that the hook is towards the back edge.

b: Screw 4 metal dowels **B** into the holes on the right side **1** as shown.

Note: Tighten metal dowels up fully against the panels.



Assembly Instructions

Step 4

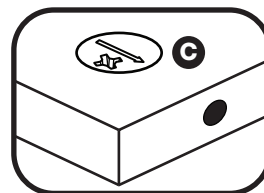
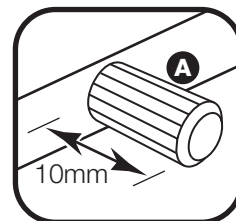
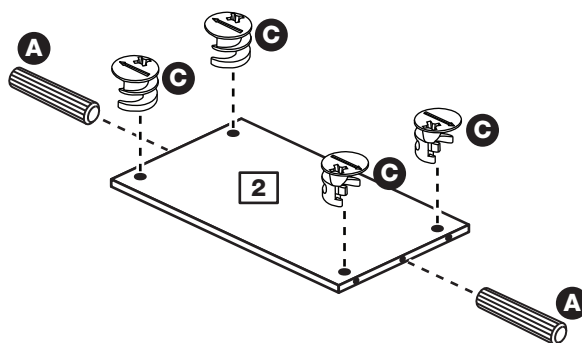
Prepare the top and base

Insert 4 large locking nuts **C** into the 2 top/base panels **2** as shown.

Note: Arrow on locking nut **must** point towards hole in edge of panel.

Tap 2 wooden dowels **A** into the 2 top/base panels **2** as shown.

Note: Wooden dowels **must not** stick out from the edge by more than 10mm or they may damage other panels.



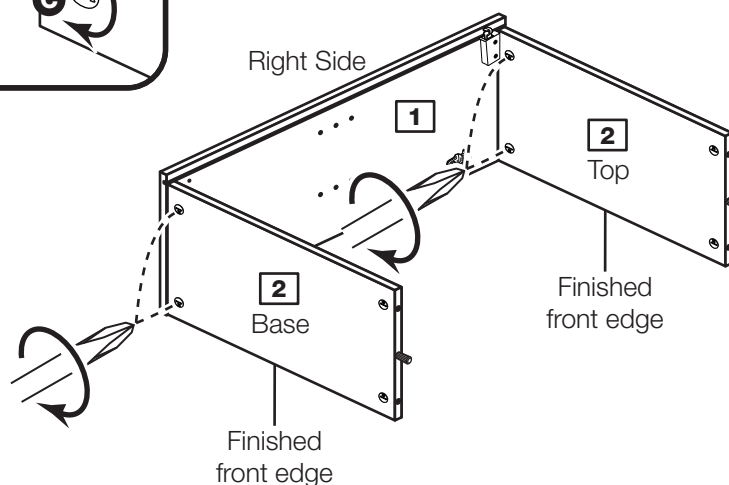
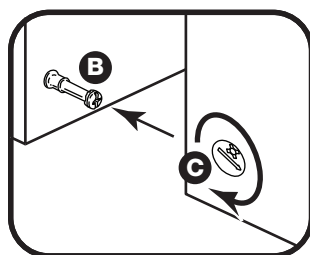
Step 5

Fit the base and top to the right side

Push the base and top panels **2** onto the right side **1**.

Use a screwdriver to tighten the 2 large locking nuts **C** fitted to the base and top **2**.

Note: Turn the large locking nuts **C** as far as they will go - more than 1/2 a turn.



Assembly Instructions

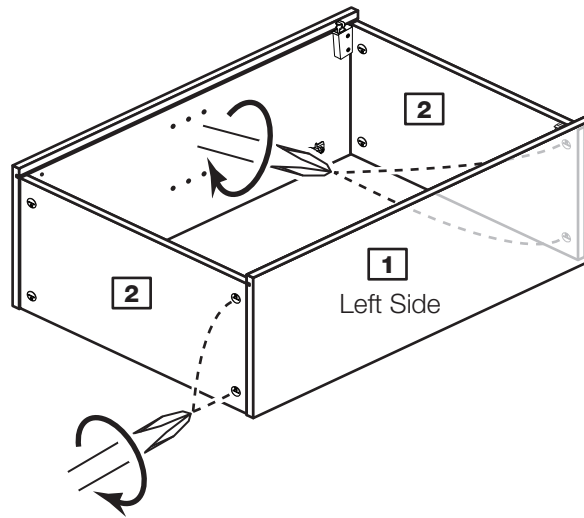
Step 6

Fit the left side

Push the left side **1** onto the base and top panels **2**.

Use a screwdriver to tighten the 2 large locking nuts **C** fitted to the base and top **2**.

Note: Turn the large locking nuts **C** as far as they will go - more than 1/2 a turn.



Step 7

Fit the back

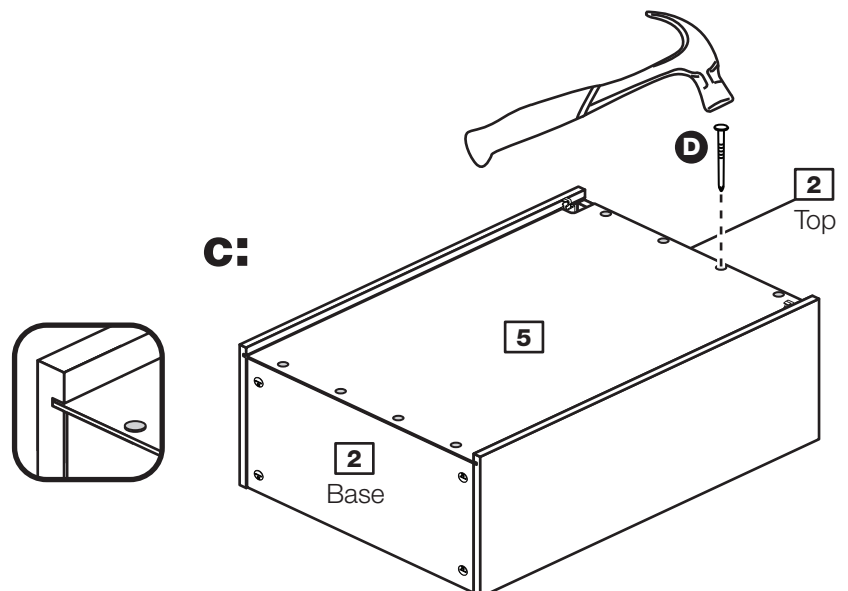
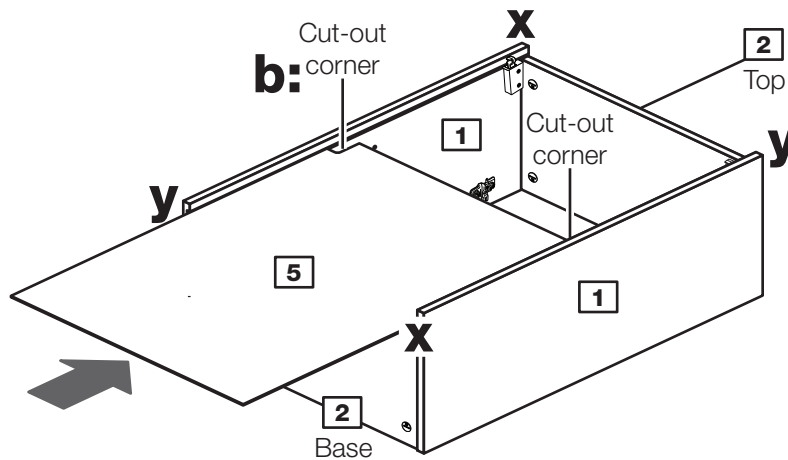
a: Square up the unit by making sure that measurement **x** to **x** equals **y** to **y**.

Note: The cut-out corners of the back **5** must be at the top of the unit.

b: Slide the back **5** into the grooves along the side panels **1**. Push it into the grooves until it is flush with the bottom end of the side panels **1**.

c: Secure the back **5** by tapping 4 nails **D** down into the back edge of the base **2** and 4 nails **D** into the back edge of the top **2**.

a: The measurement from top corner X to bottom corner X must be equal to the measurement from top corner Y to bottom corner Y



Assembly Instructions

Step 8

Fit the unit to the wall

To fix the unit to the wall, place the unit in the required position and lightly mark the outline of the top corners of the unit with a pencil.

Fit the 2 wall brackets **F** to the dimensions shown in the top diagram.

The screws and plugs are not supplied as they need to be the correct type to suit your wall.

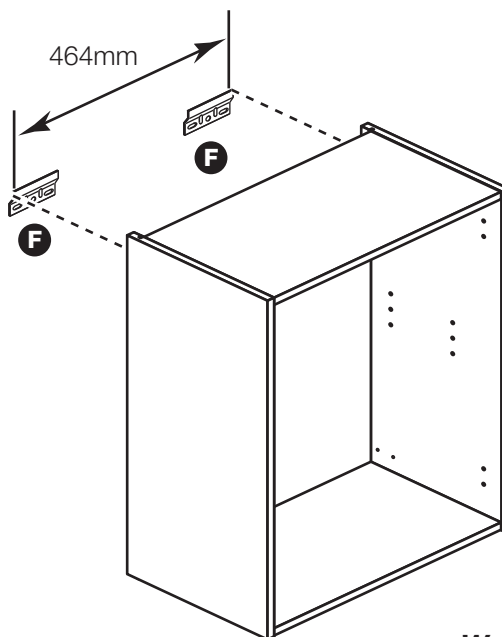
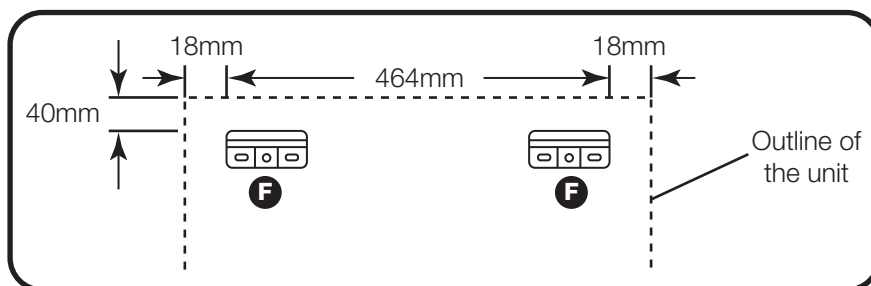


Warning: Take care when drilling the wall that you do not drill into any pipes, wires etc. If in doubt, consult an expert.

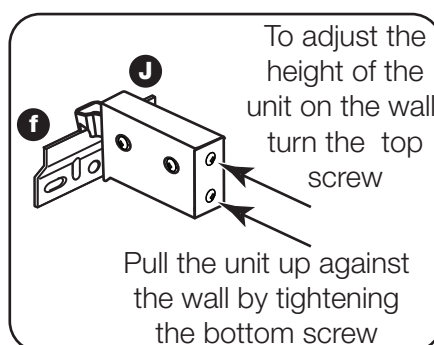
Place your unit onto the wall brackets **F**, via the hanging brackets **J** which you have fitted to the sides **1** of the unit.

Use the screw at the top of the wall brackets **J** to adjust the height of the unit.

Finally, pull the unit up against the wall by tightening up the bottom screw in the hanging brackets **J**.



Warning: The unit is heavy. Lift with care.



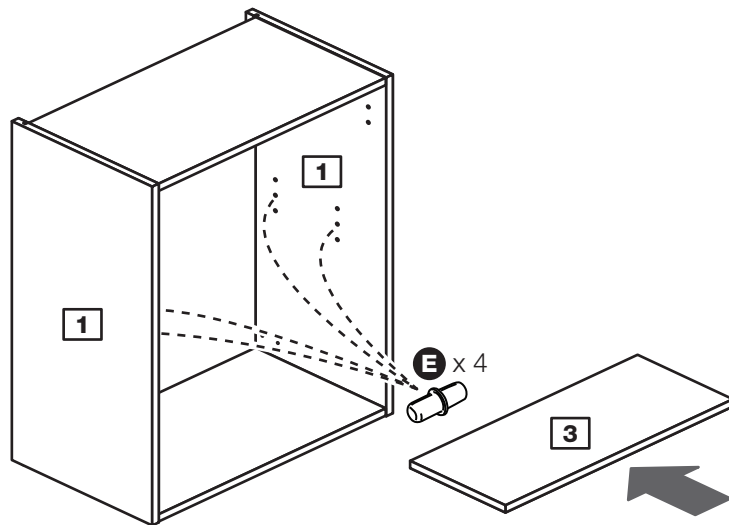
Assembly Instructions

Step 9

Fit the shelf

Push 4 shelf studs **E** into the holes in the side panels **1** at the desired height.

Place the shelf **3** into the unit onto the shelf studs **E**.



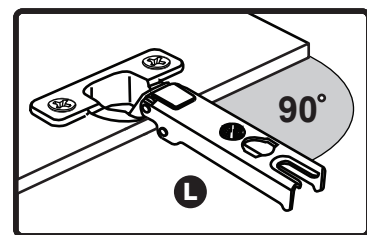
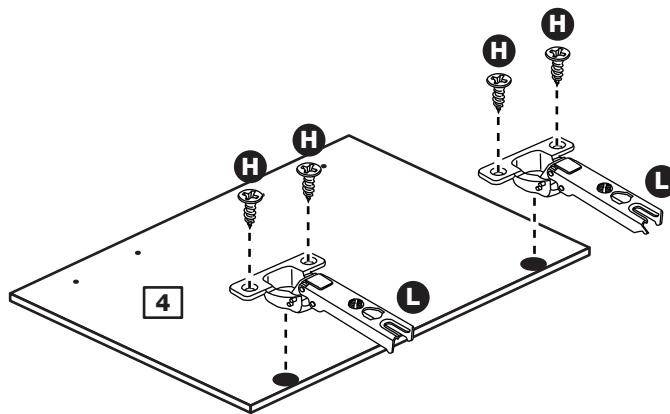
Step 10

Prepare the door

Push fit the 2 hinges **L** into the door **4**.

Secure each hinge with 2 screws **F**.

Note: Before securing with the screws, make sure that the hinges are positioned at 90 degrees with the front edge of the door.



Assembly Instructions

Step 11

Drill the handle holes in the door

Important: Please follow these instructions carefully.

Lay the door **4** down onto a smooth surface.

Important: Carefully choose which holes you need to drill. This will depend on which side **1** you fitted the hinge plates **M**.

Check that the holes and hinges are in the same place as the diagrams.

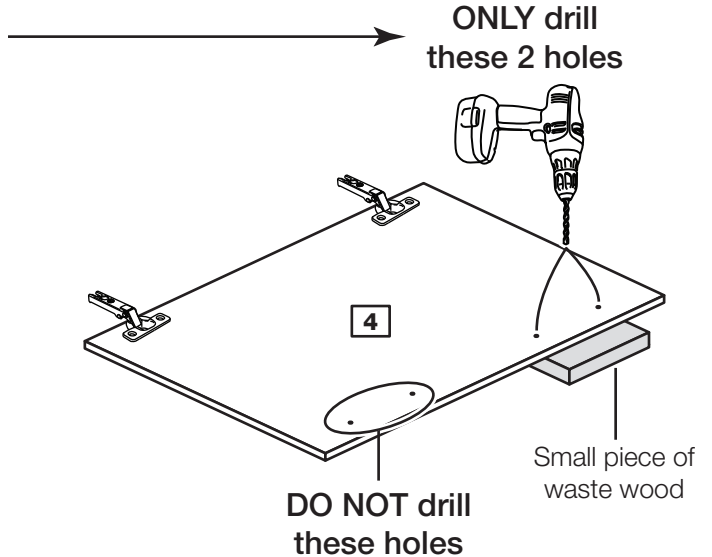
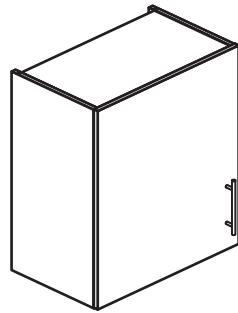
Note: We recommend the use of a small piece of waste wood, placed behind the hole while drilling, to reduce the possibility of any breakout.

Using the pilot hole in the rear face of the door, **4** drill through the holes indicated opposite, using a 2.5mm diameter drill.

Turn the door **4** over and open out the 2.5mm holes that you have just drilled by drilling back through them with a 5mm drill.

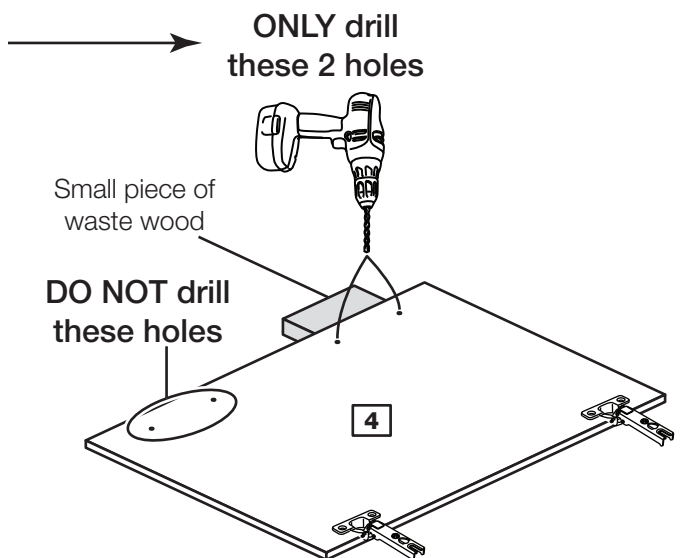
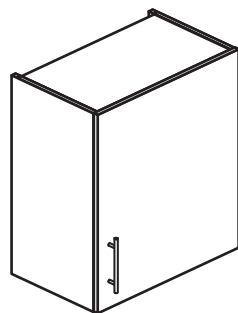
Carefully choose which 2 holes you will need to drill

Drill these 2 holes if you have fitted the hinges to the left side.



or

Drill these 2 holes if you have fitted the hinges to the right side.



Assembly Instructions

Step 12

Fit doors and handles

2 people are needed here

Note: The easiest way to attach the door **4** is to fit the top hinge first, then align and fit the other hinges.

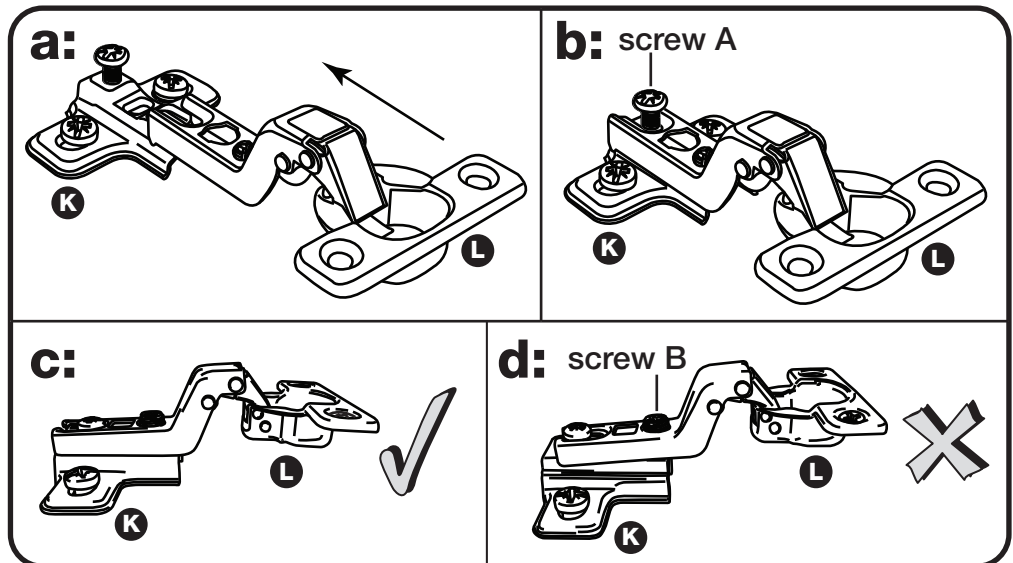
a: Push the hinge **L** onto the front part of the hinge plate **K**.

b: Keep the hinge **L** FLAT against the hinge plate **K** as you slide it across as far as it will go. Tighten screw A.

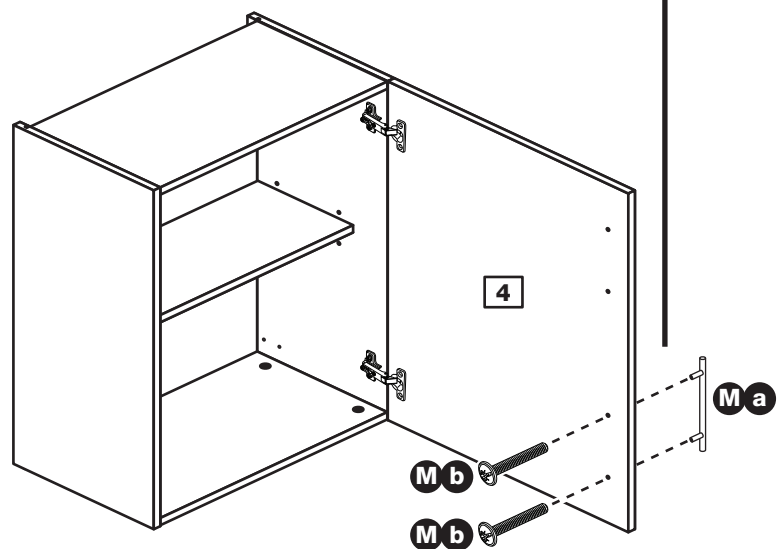
c: The hinge **L** must be flat against the hinge plate **K** prior to any adjustment.

d: The hinge **L** must NOT be AT AN ANGLE to the hinge plate **K** when assembled. This would indicate that the recess at the bottom of screw B had not located in the slot in the hinge plate and the hinge would not be secure. Remove the hinge from the hinge plate and then re-assemble being careful to follow instructions a-c.

e: Attach a handle **M a** to the door **4** using 2 screws **M b**.



This shows the door being fitted to hinge plates on the right side. You may have fitted them to the left side.



Assembly Instructions

Step 13

Adjust the door if needed

a: Height adjustment.

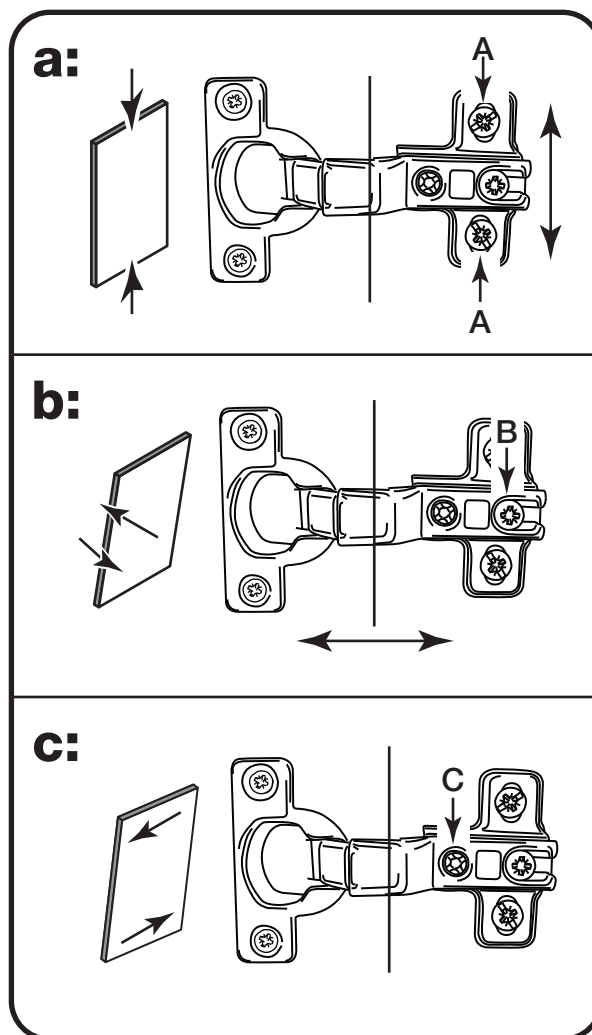
Loosen screws A on hinge plates and move door up or down as required.
Retighten screw A.

b: Forward and Back adjustment.

Loosen screw B on hinge plate and move door in or out as required.
Retighten screw B.

c: Sideways adjustment.

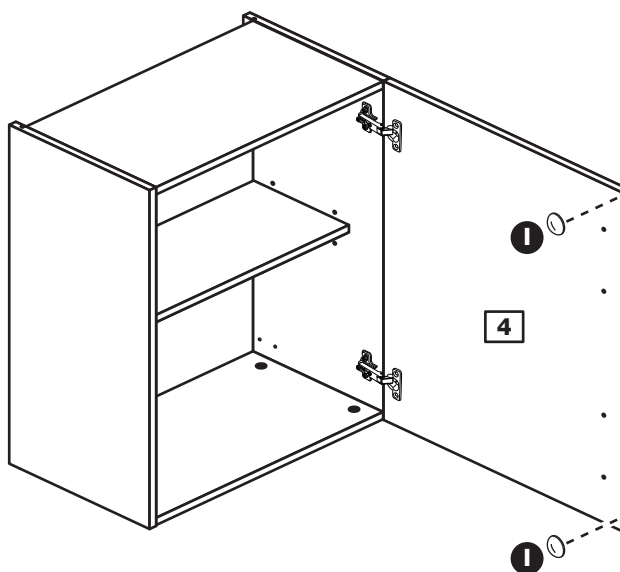
To move door 'out' loosen screw C.
To move door 'in' tighten screw C



Step 14

Fit the door buffers

Stick a door buffer **1** onto the 2 corners of the door **4** as shown, so that they hit the edge of the side panel when the door is closed.



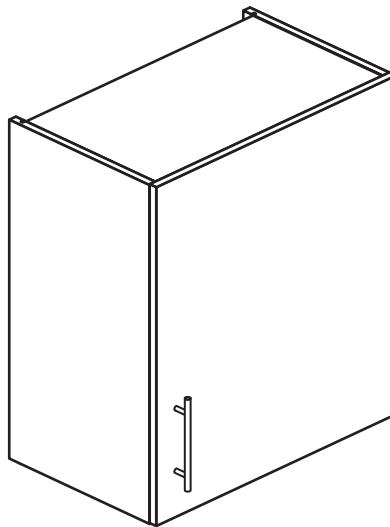
Assembly Instructions

Step 15

Assembly is complete



Warning: The unit is heavy. Lift with care.



If you need help or have damaged or missing parts, call the **Customer Helpline: 03456 400800** and quote the reference numbers on the component pages.
Argos Ltd, 489-499 Avebury Boulevard, Central Milton Keynes, MK9 2NW

