

# Athina - 500 Base Unit

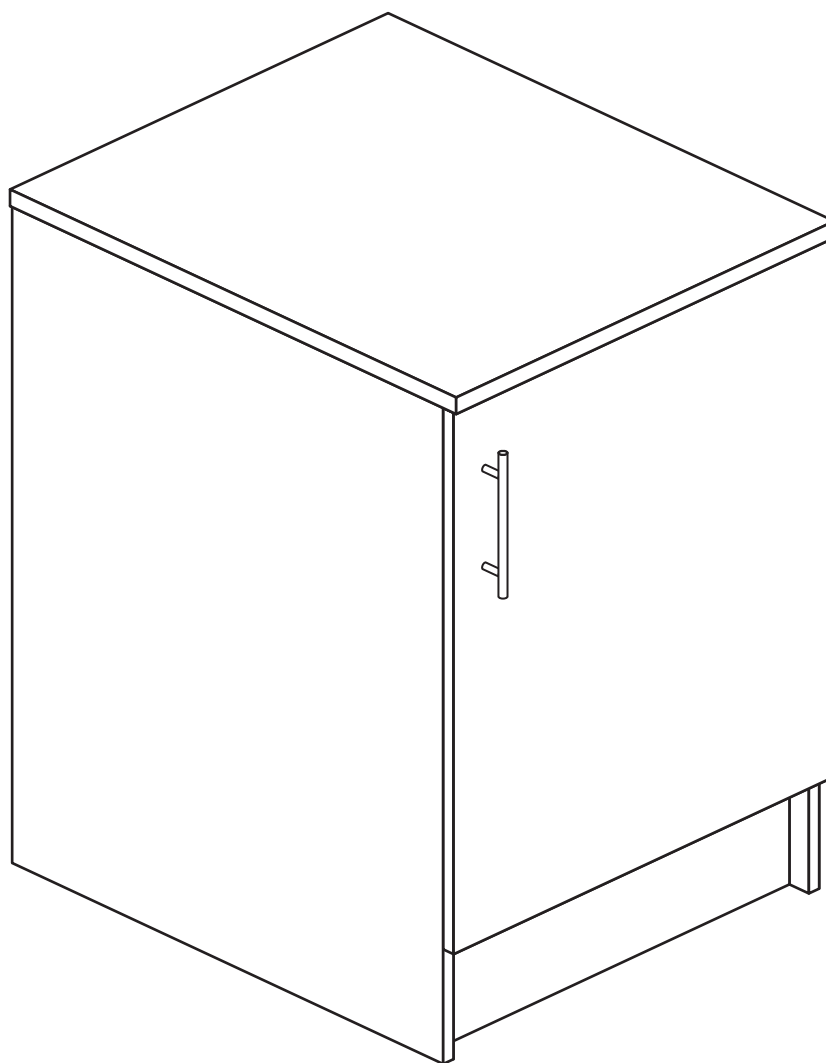
Assembly Instructions - Please keep for future reference

608/0828

608/0945

608/0880

608/1009



## Dimensions

Width - 50cm

Depth - 59cm

Height - 89.5cm



**MADE IN  
BRITAIN**

**Important** - Please read these instructions fully before starting assembly

If you need help or have damaged or missing parts, call the **Customer Helpline: 08456 400800**



# Safety and Care Advice

**Important - Please read these instructions fully before starting assembly**

- **Warning:** This unit weighs approximately 26kgs. Please lift with care.

- Check you have all the components and tools listed on pages 2 and 3.

- Remove all fittings from the plastic bags and separate them into their groups.

- Keep children and animals away from the work area, small parts could choke if swallowed.

- Make sure you have enough space to layout the parts before starting.

- Do not stand or put weight on the product, this could cause damage.

- Assemble the item as close to its final position (in the same room) as possible.

- Assemble on a soft level surface to avoid damaging the unit or your floor (use opened out unit carton).



- We do not recommend the use of power drill/drivers **for inserting screws**, as this could damage the unit. Only use hand screwdrivers.

- **Safety note:** It is recommended that this unit is secured to a wall using the bracket supplied.

- Dispose of all packaging carefully and responsibly.

## Care and maintenance

- Only clean using a damp cloth and mild detergent, do not use bleach or abrasive cleaners.

- From time to time check that there are no loose screws on this unit.

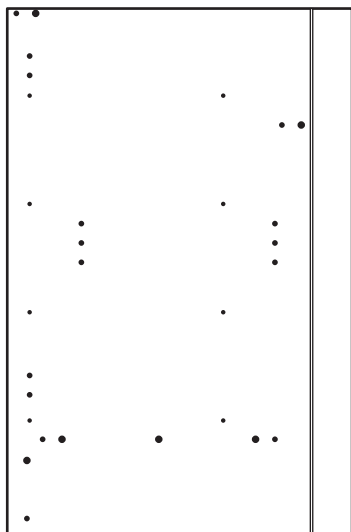
- This product should not be discarded with household waste. Take to your local authority waste disposal centre.

**Note:** If required the next page can be cut out and used as reference throughout the assembly. Keep this page with these instructions for future reference.

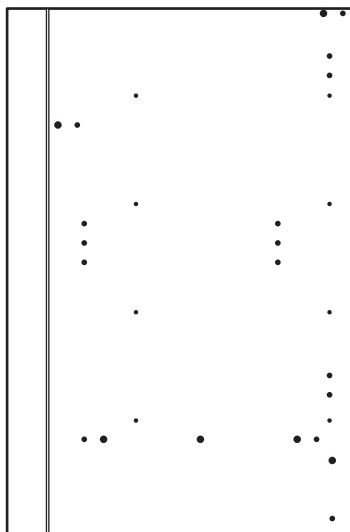
# Components - Panels

If you have damaged or missing components, call the **Customer Helpline: 08456 400800** quoting the reference numbers below

Please check you have all the panels listed below



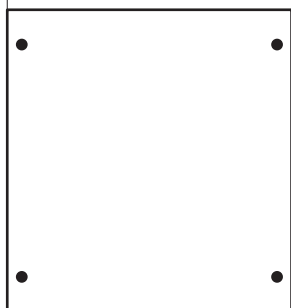
**1** Left Side (D0315A)  
(870 X 570mm)



**2** Right Side (D0316A)  
(870 x 570mm)



**3** Top (D0338A)  
(500 x 590mm)



**4** Base (D0319A)  
(470 X 499mm)



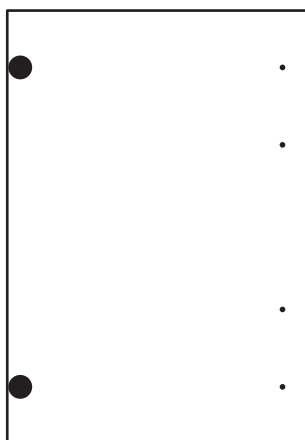
**5** Shelf (D0320A)  
(469 x 427mm)



**6** Rail (D0321A)  
(470 x 60mm) x 2



**7** Plinth (D0322A)  
(470 x 150mm)



**8** Door (D0317A)  
(716 x 497mm)



**9** Back (X739)  
(480 x 533mm)

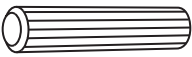
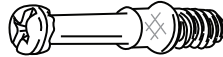

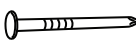

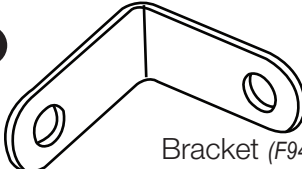




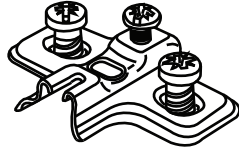
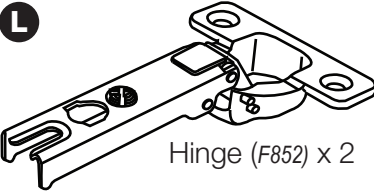
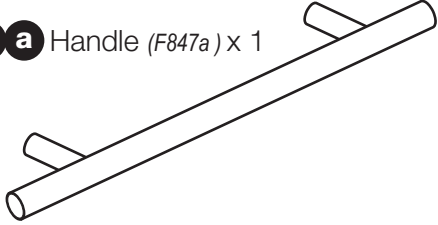



# Components - Fittings

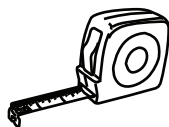
If you have damaged or missing components, call the **Customer Helpline: 08456 400800** quoting the reference numbers below

Please check you have all the fittings listed below

**Note:** The quantities below are the correct amount to complete the assembly. In some cases more fittings may be supplied than are required.

<p><b>A</b> </p> <p>Wooden dowel (F22) x 12</p>	<p><b>B</b> </p> <p>Metal dowel (F901) x 10</p>	<p><b>C</b> </p> <p>Large locking nut (F900) x 10</p>
<p><b>D</b> </p> <p>Nail (F51) x 8</p>	<p><b>E</b> </p> <p>Shelf support (F110) x 4</p>	<p><b>F</b> </p> <p>Bracket (F945) x 4</p>
<p><b>G</b> </p> <p>25mm Screw (F50) x 2</p>	<p><b>H</b> </p> <p>13mm Screw (F79) x 6</p>	<p><b>I</b> </p> <p>13mm Screw (F63) x 4</p>
<p><b>J</b> </p> <p>Door Buffer (F137) x 2</p>	<p><b>K</b> </p> <p>Hinge Plate (F853) x 2</p>	<p><b>L</b> </p> <p>Hinge (F852) x 2</p>
<p><b>M a</b>  Handle (F847a) x 1</p> <p><b>M b</b>  Handle Screw (F847b) x 2</p>		

## Tools required



Rule



Cross-head screwdriver



Scissors



Hammer

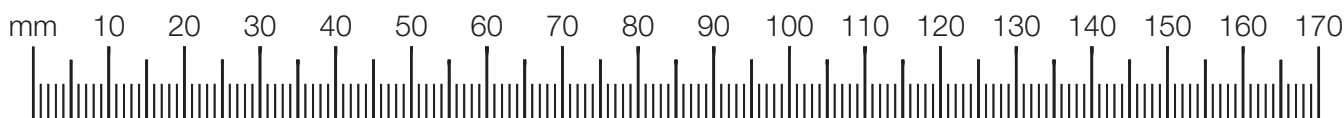


Eye protection (when using a hammer or drill)



Electric drill

Ruler - Use this ruler to help correctly identify the screws



# Assembly Instructions

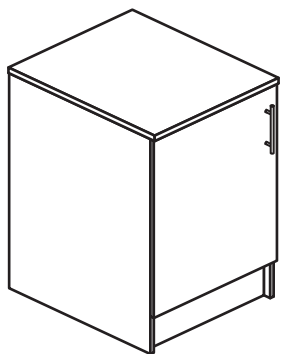
If you have damaged or missing components, call the  
**Customer Helpline: 08456 400800** quoting the reference  
numbers below

## Step 1

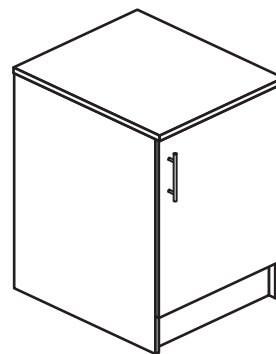
### Choose which way you would like the door to open

You can fit the door to the left side or right side.

If you would like your door to open this way, fit the hinge plates to the left side



If you would like your door to open this way, fit the hinge plates to the right side



## Step 2

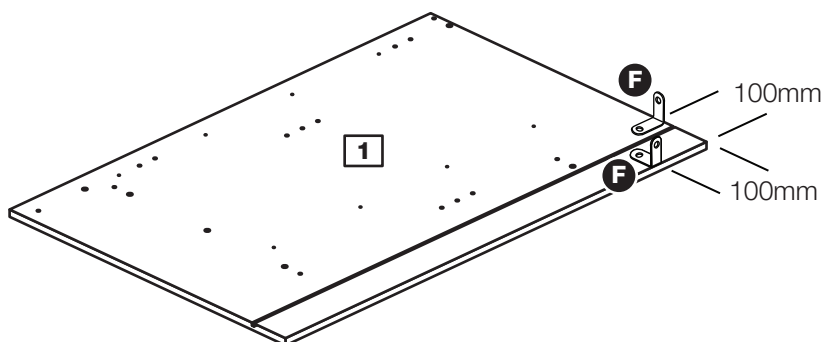
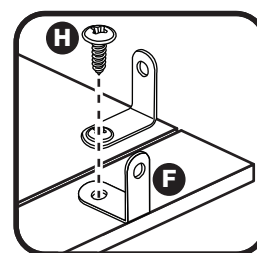
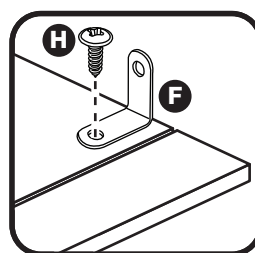
### Fit 2 brackets to the left side

Fit a bracket **F** to the left side **1**, 100mm in from the back edge, see diagram.

Fit another bracket **F** to the left side **1**, 100mm down from the top edge, see diagram.

Secure each bracket using screw **H**.

**Note:** The brackets must be flush with the edges of the panel.



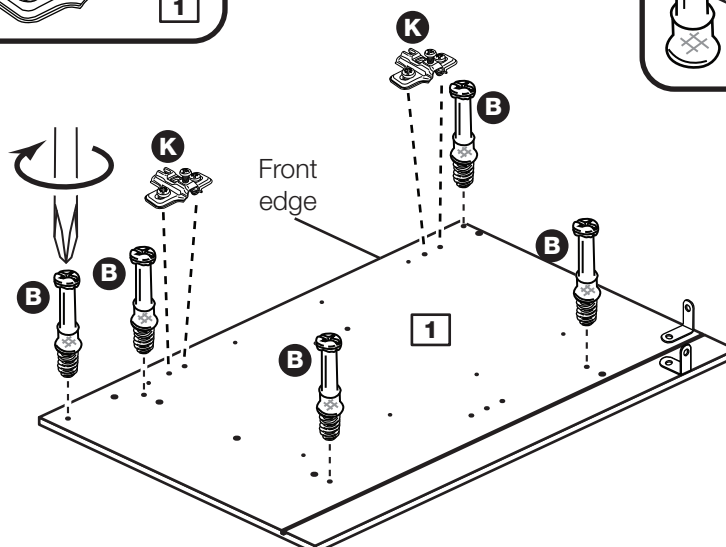
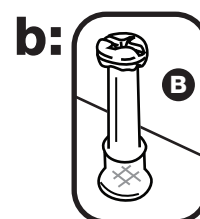
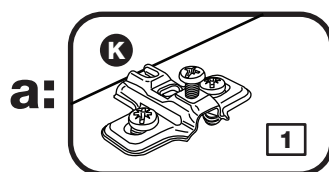
## Step 3

### Prepare the left side

**a:** Refer to step 1 and, if required, fit 2 hinge plates **K** onto the left side **1**, making sure that the slot is facing towards the front edge.

**b:** Screw 5 metal dowels **B** into the holes shown on the left side **1**.

**Note:** Tighten metal dowels up fully against the panels.



# Assembly Instructions

## Step 4

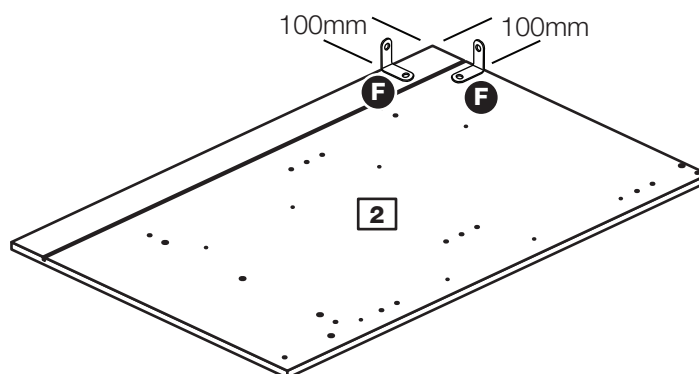
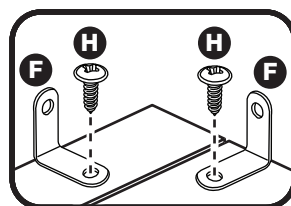
### Fit 2 brackets to the right side

Fit a bracket **F** to the right side **2**, 100mm down from the back edge, see diagram.

Fit another bracket **F** to the right side **2**, 100mm down from the top edge, see diagram.

Secure each bracket using screw **H**.

**Note:** The brackets must be flush with the edges of the panel.



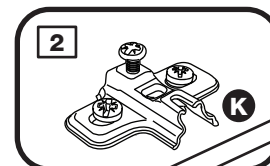
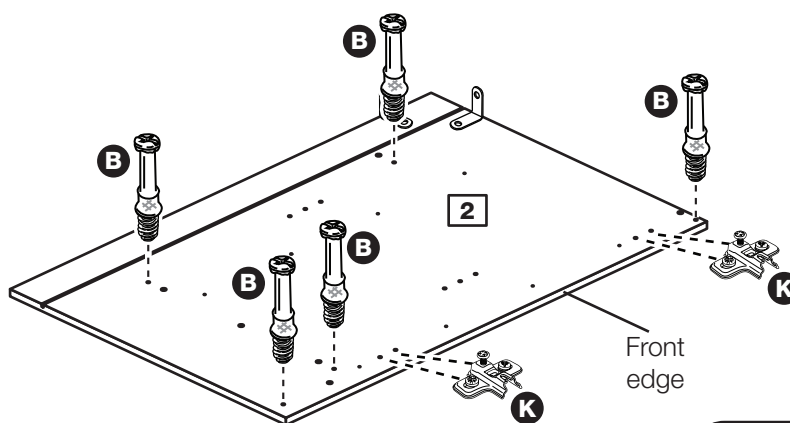
## Step 5

### Prepare the right side

**a:** Refer to step 1 and, if required, fit 2 hinge plates **K** onto the right side **2**, making sure that the slot is facing towards the front edge.

**b:** Screw 5 metal dowels **B** into the holes shown on the right side **2**.

**Note:** Tighten metal dowels up fully against the panels.



# Assembly Instructions

## Step 6

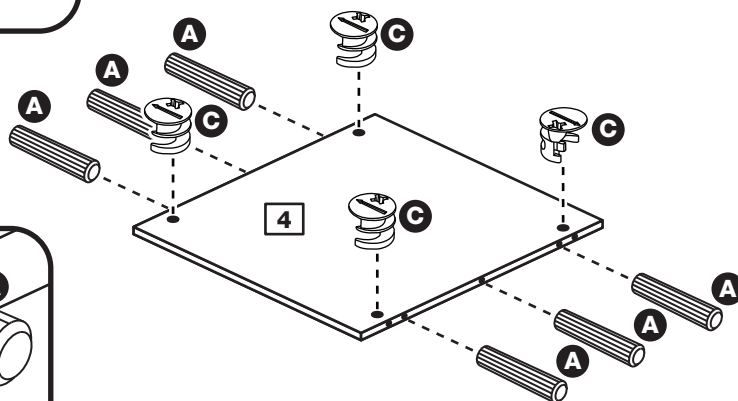
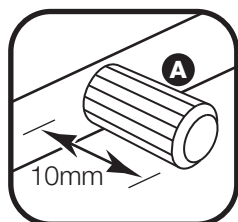
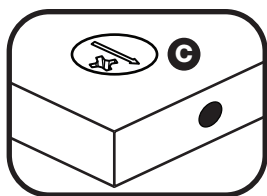
### Prepare the base

Insert 4 large locking nuts **C** into the base **4** as shown.

**Note:** Arrow on locking nut **must** point towards hole in edge of panel.

Tap 6 wooden dowels **A** into the base **4** as shown.

**Note:** Wooden dowels **must not** stick out from the edge by more than 10mm or they may damage other panels.



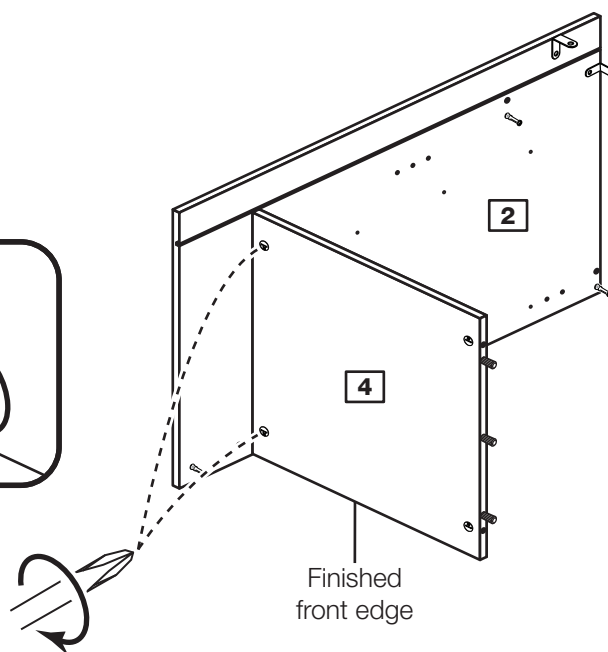
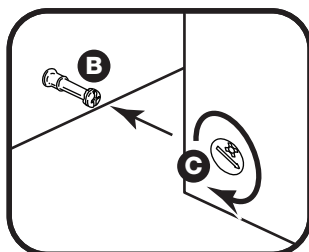
## Step 7

### Fit the base to the right side

Push the base **4** onto the right side **2**.

Use a screwdriver to tighten the 2 large locking nuts **C** fitted to the base **4**.

**Note:** Turn the large locking nuts **C** as far as they will go - more than 1/2 a turn.

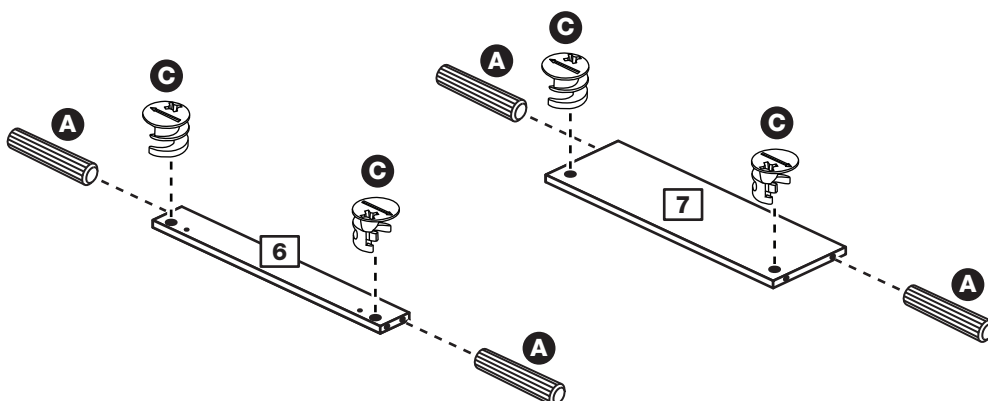


## Step 8

### Prepare the 2 rails and plinth

Insert 2 large locking nuts **C** into each of the 2 rails **6** and plinth **7** as shown.

Tap 2 wooden dowels **A** into the 2 rails **6** and plinth **7** as shown.



# Assembly Instructions

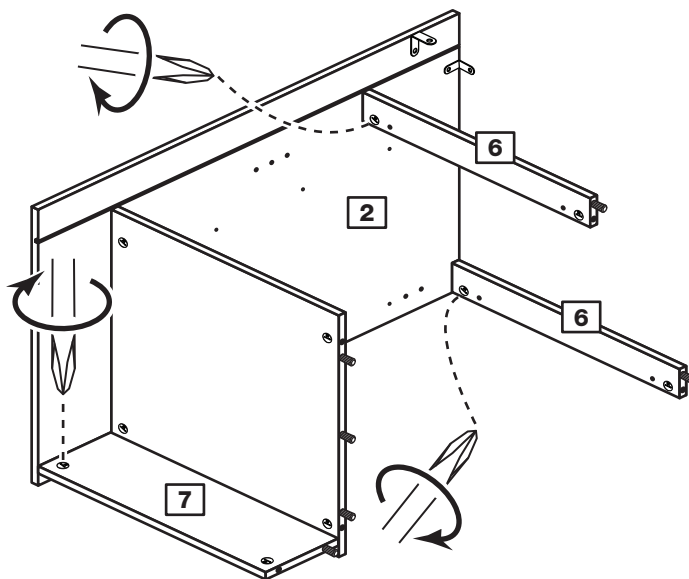
## Step 9

### Fit the 2 rails and plinth

One at a time, push the 2 rails **6** and plinth **7** onto the right side **2** as shown.

Use a screwdriver to tighten the 3 large locking nuts **C** fitted to the 3 panels, as shown.

**Note:** Turn the large locking nuts **C** as far as they will go - more than 1/2 a turn.



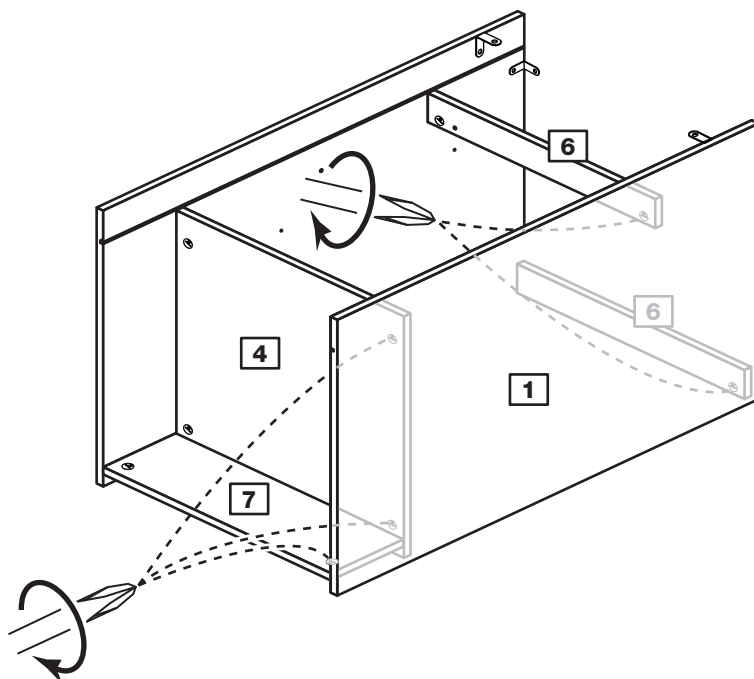
## Step 10

### Fit the left side

Push the left side **1** onto the assembly.

Use a screwdriver to tighten the 5 large locking nuts **C** fitted to the base **4**, rails **6** and plinth **7**.

**Note:** Turn the large locking nuts **C** as far as they will go - more than 1/2 a turn.





# Assembly Instructions

## Step 11

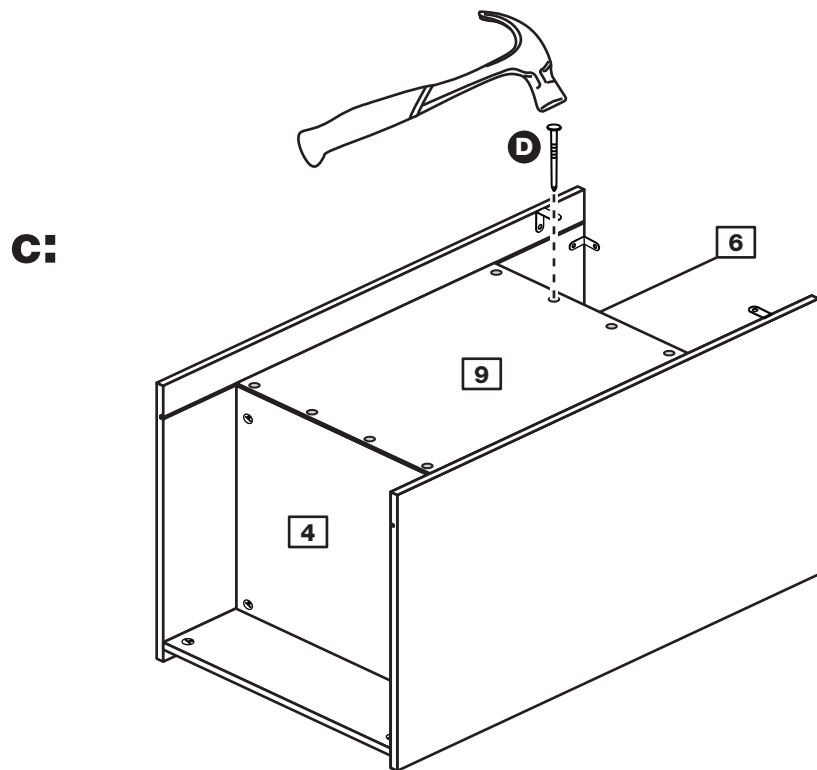
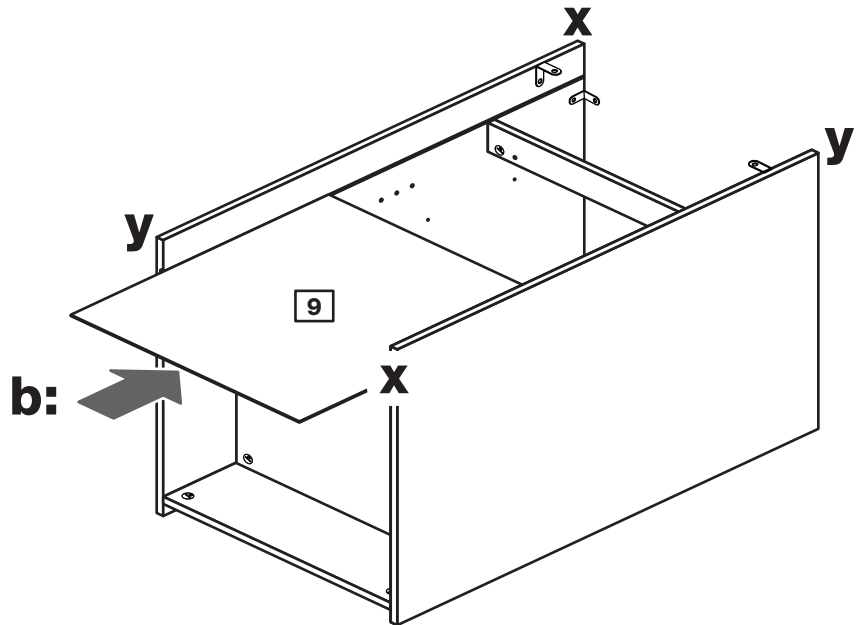
### Fit the back

**a:** Square up the unit by making sure that measurement **x to x** equals **y to y**.

**b:** Slide the back **9** into the grooves along the left **1** and right **2** sides, as shown.

**c:** Secure the back **9** by tapping 4 nails **D** down into the back edge of the base **4** and 4 nails **D** into the back edge of the rail **6**.

**a:** The measurement from top corner X to bottom corner X must be equal to the measurement from top corner Y to bottom corner Y



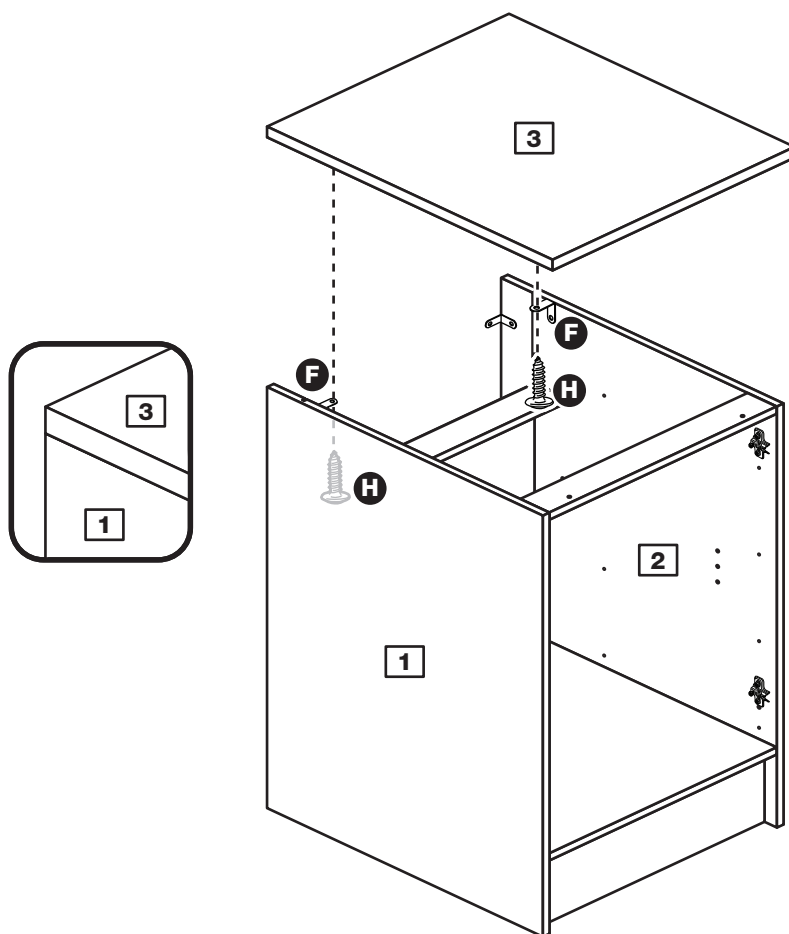
# Assembly Instructions

## Step 12

### Fit the top

Position the top **3** onto the unit, making sure that the back edge is flush with the back edge of the sides **1** and **2**.

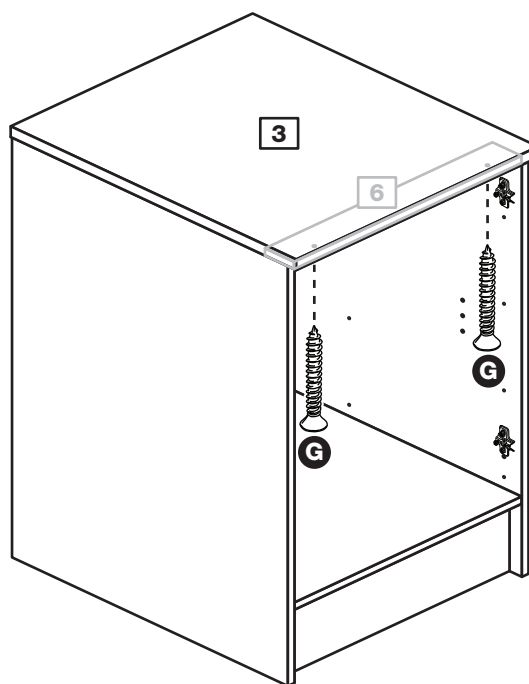
Secure the top **3** using screw **H** through the 2 brackets **F** fitted at the top edge of the side panels **1** and **2**.



## Step 13

### Secure the front of the top

To secure the front of the top **3**, screw up through the 2 holes in the rail **6** at the front of the unit using screws **G**.



# Assembly Instructions

## Step 14

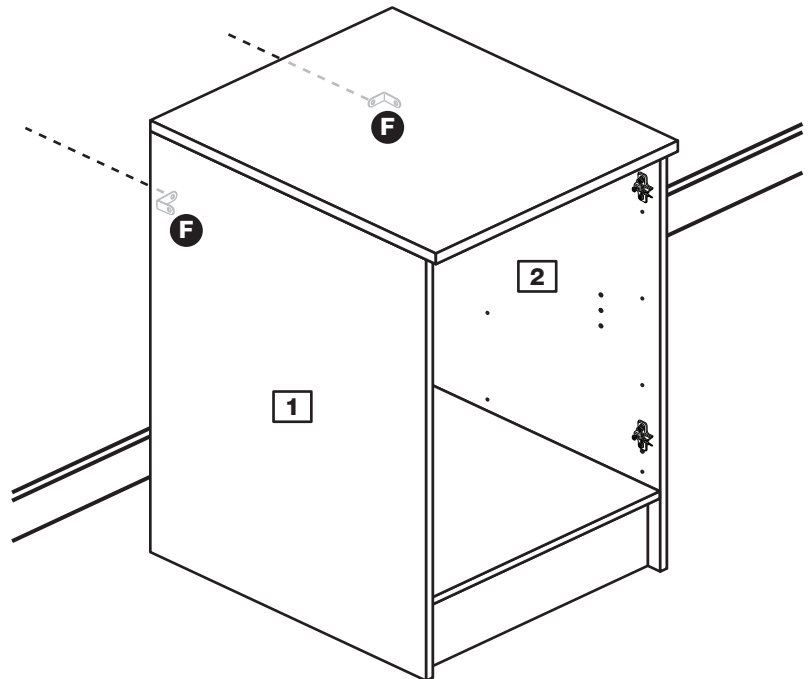
### Secure the unit to the wall

Using the brackets **F** fitted to the back edge of the sides **1** and **2** screw the unit to the wall.

Fixings are not supplied as they will need to suit the wall type, and the length of screw will depend on the distance of the back of the Unit to the wall.



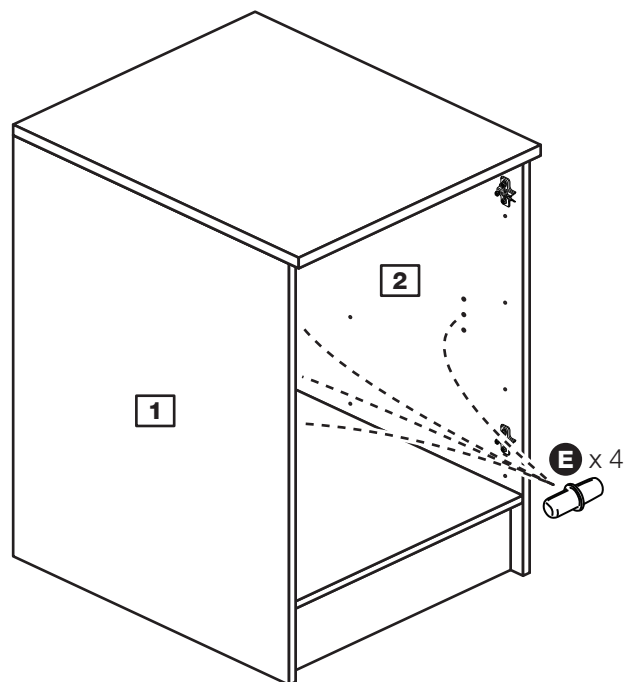
**Warning:** Take care when drilling the wall that you do not drill into any pipes, wires etc. If in doubt, consult an expert.



## Step 15

### Fit the shelf studs

Push 4 shelf studs **E** into the holes in the side panels **1** and **2** at the desired height.

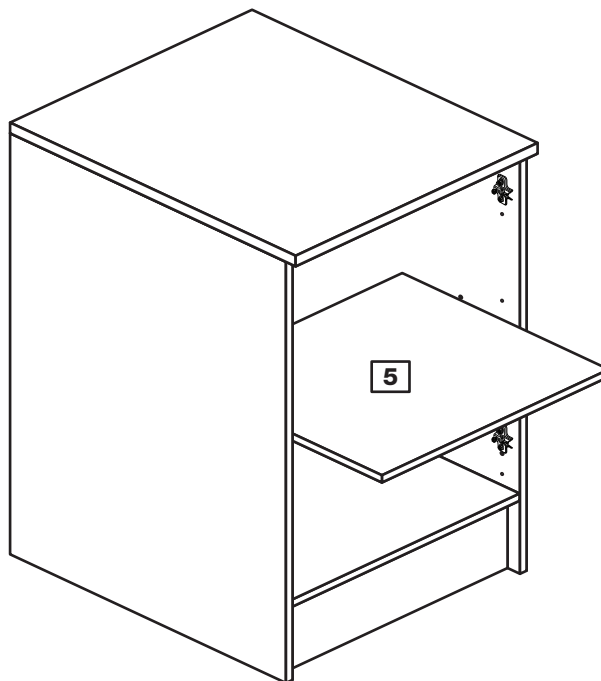


# Assembly Instructions

## Step 16

### Fit the shelf

Place the shelf **5** into the unit onto the shelf studs **E**.



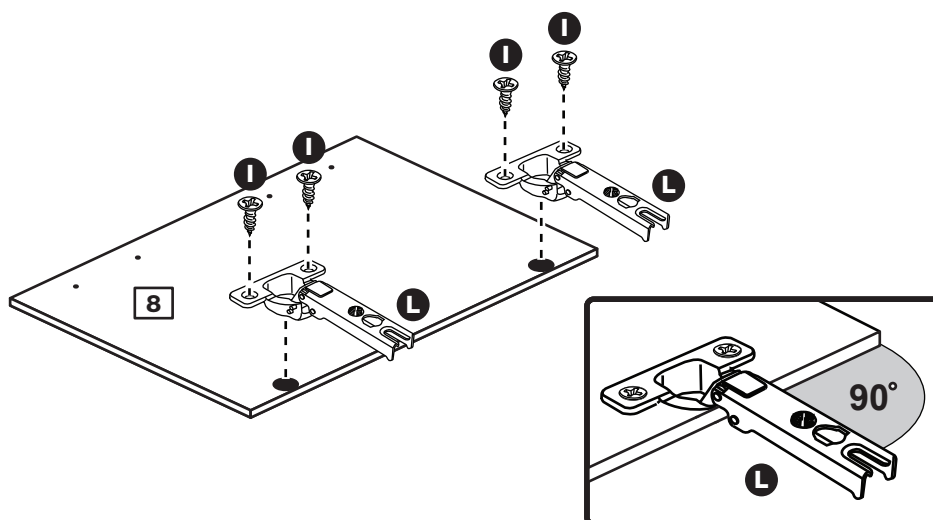
## Step 17

### Prepare the door

Push fit the 2 hinges **L** into the door **8**.

Secure each hinge with 2 screws **I**.

**Note:** Before securing with the screws, make sure that the hinges are positioned at 90 degrees with the front edge of the door.



# Assembly Instructions

## Step 18

### Drill the handle holes in the door

**Important:** Please follow these instructions carefully.

Lay the door **8** down onto a smooth surface.

**Important:** Carefully choose which holes you need to drill.

This will depend on which side **1** or **2** you fitted the hinge plates **K**.

Check that the holes and hinges are in the same place as the diagrams.

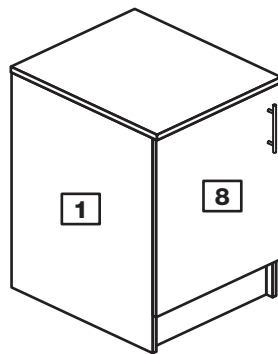
**Note:** We recommend the use of a small piece of waste wood, placed behind the hole while drilling, to reduce the possibility of any breakout.

Using the pilot hole in the rear face of the door, **8** drill through the holes indicated opposite, using a 2.5mm diameter drill.

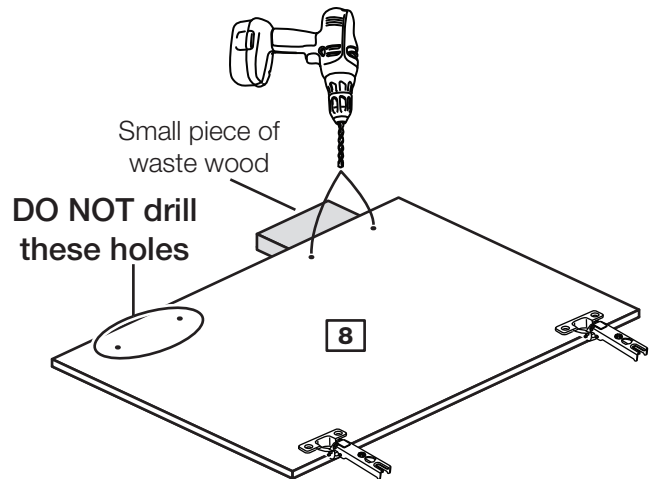
Turn the door **8** over and open out the 2.5mm holes that you have just drilled by drilling back through them with a 5mm drill.

Carefully choose which 2 holes you will need to drill

Drill these 2 holes if you have fitted the hinges to the left side.

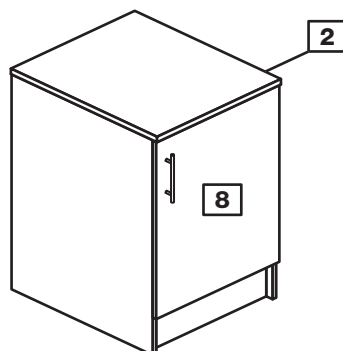


ONLY drill these 2 holes

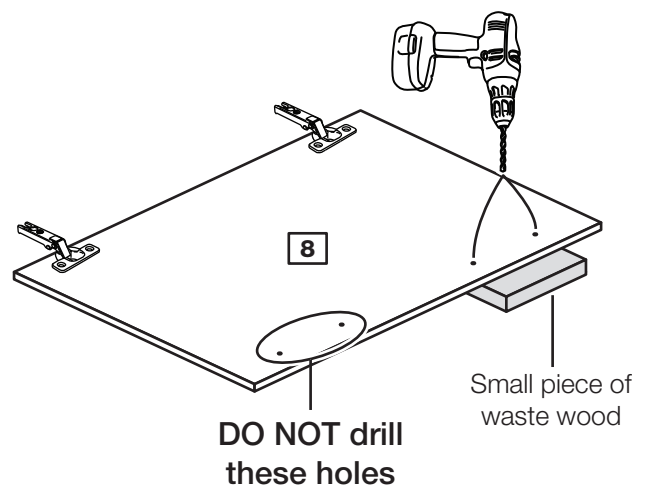


or

Drill these 2 holes if you have fitted the hinges to the right side.



ONLY drill these 2 holes



# Assembly Instructions

## Step 19

### Fit doors and handles

*2 people are needed here*

**Note:** The easiest way to attach the door **4** is to fit the top hinge first, then align and fit the other hinges.

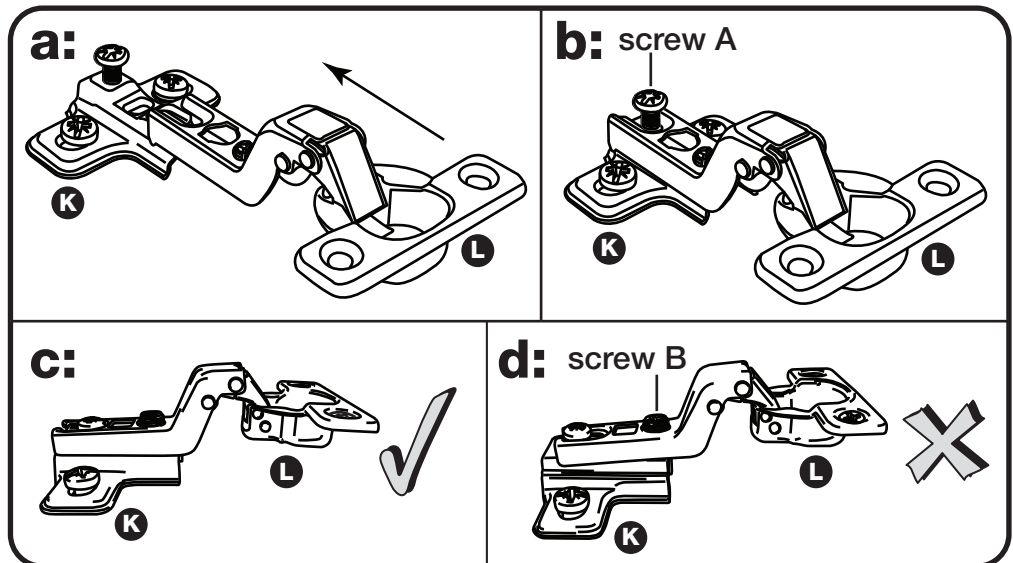
**a:** Push the hinge **L** onto the front part of the hinge plate **K**.

**b:** Keep the hinge **L** FLAT against the hinge plate **K** as you slide it across as far as it will go. Tighten screw A.

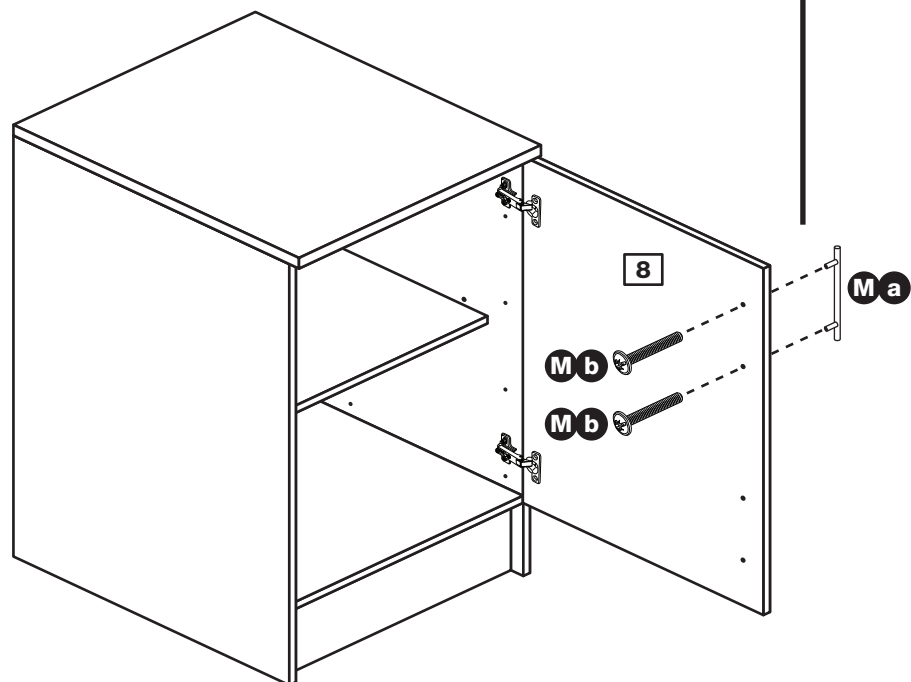
**c:** The hinge **L** must be flat against the hinge plate **K** prior to any adjustment.

**d:** The hinge **L** must NOT be AT AN ANGLE to the hinge plate **K** when assembled. This would indicate that the recess at the bottom of screw B had not located in the slot in the hinge plate and the hinge would not be secure. Remove the hinge from the hinge plate and then re-assemble being careful to follow instructions a-c.

**e:** Attach a handle **M a** to the door **4** using 2 screws **M b**.



This shows the door being fitted to hinge plates on the right side. You may have fitted them to the left side.



# Assembly Instructions

## Step 20

### Adjust the door if needed

#### **a: Height adjustment.**

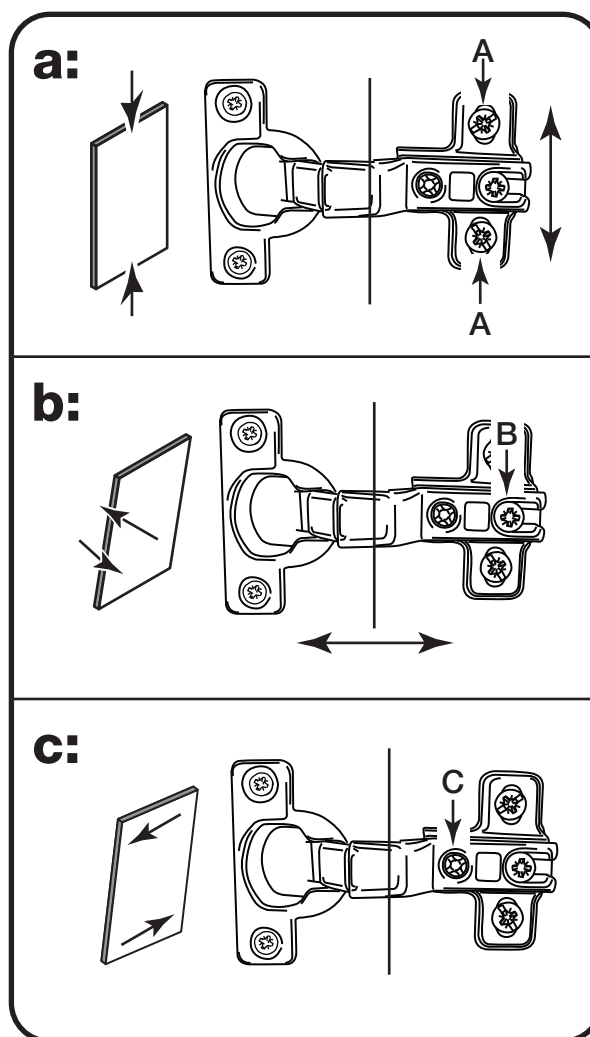
Loosen screws A on hinge plates and move door up or down as required.  
Retighten screw A.

#### **b: Forward and Back adjustment.**

Loosen screw B on hinge plate and move door in or out as required.  
Retighten screw B.

#### **c: Sideways adjustment.**

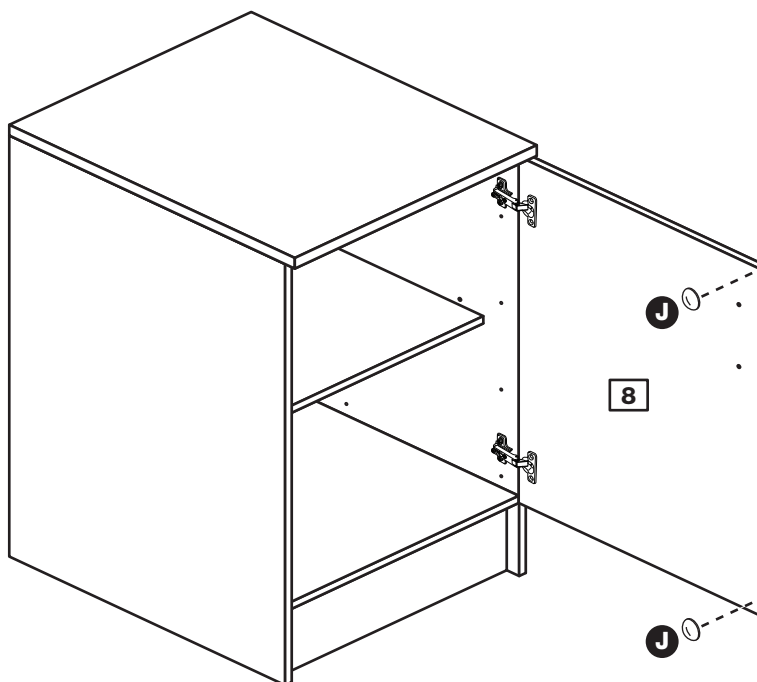
To move door 'out' loosen screw C.  
To move door 'in' tighten screw C



## Step 21

### Fit the door buffers

Stick a door buffer **J** onto each corner of the door **8** so that they hit the edge of the side panel when the door is closed.



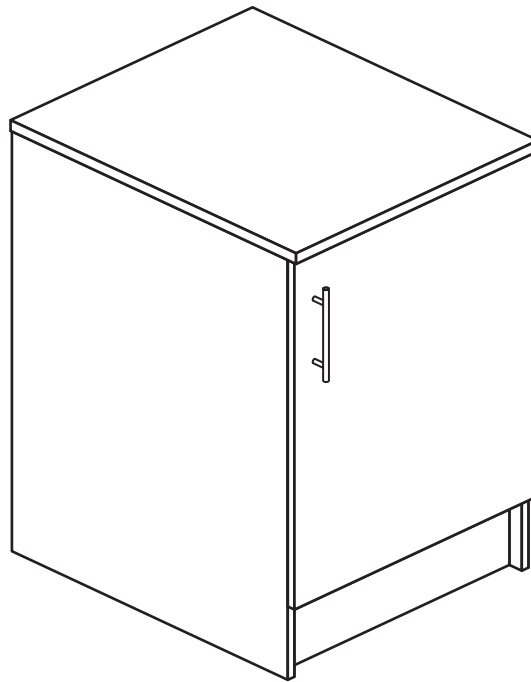
# Assembly Instructions

## Step 22

**Assembly is complete**



**Warning:** The unit is heavy. Lift with care.



If you need help or have damaged or missing parts, call the **Customer Helpline: 08456 400800** and quote the reference numbers on the component pages.

Argos Ltd, 489-499 Avebury Boulevard, Central Milton Keynes, MK9 2NW



# Athina - 500 Base Unit

Assembly Instructions - Please keep for future reference

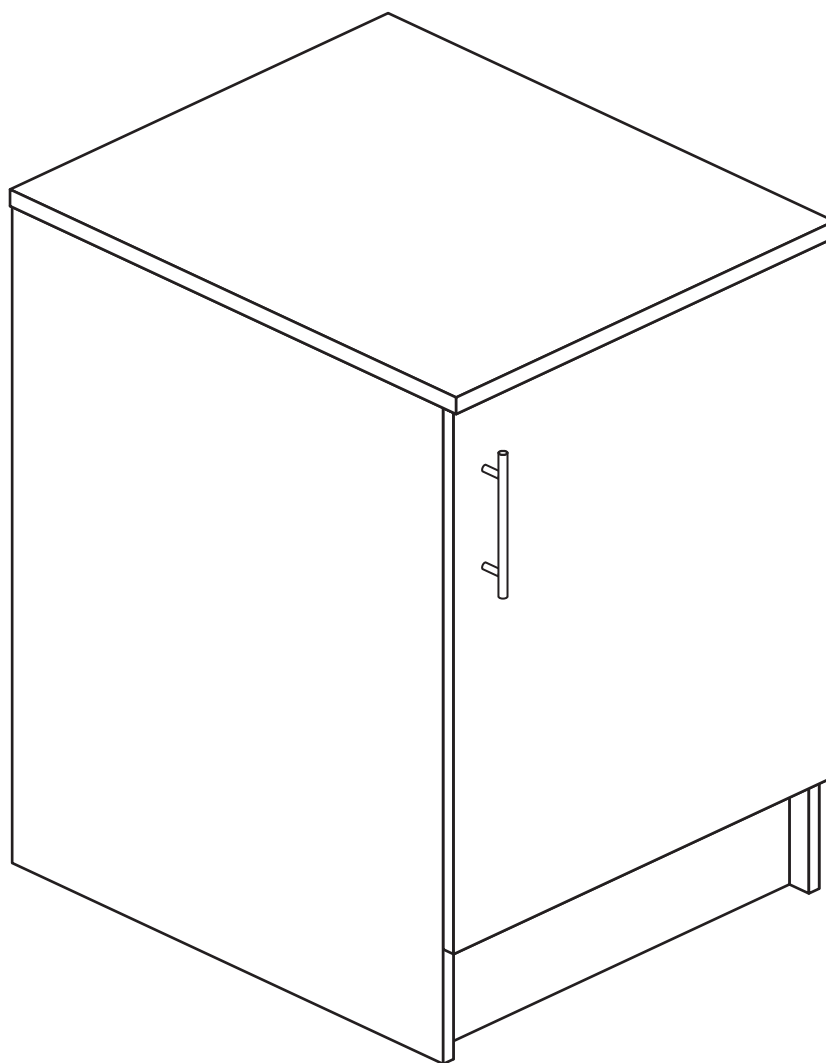
608/0828

608/0945

608/0880

608/1009

608/2998



## Dimensions

Width - 50cm

Depth - 59cm

Height - 89.5cm



**MADE IN  
BRITAIN**

**Important** - Please read these instructions fully before starting assembly

If you need help or have damaged or missing parts, call the **Customer Helpline: 08456 400800**



# Safety and Care Advice

**Important - Please read these instructions fully before starting assembly**

- **Warning:** This unit weighs approximately 26kgs. Please lift with care.

- Check you have all the components and tools listed on pages 2 and 3.

- Remove all fittings from the plastic bags and separate them into their groups.

- Keep children and animals away from the work area, small parts could choke if swallowed.

- Make sure you have enough space to layout the parts before starting.

- Do not stand or put weight on the product, this could cause damage.

- Assemble the item as close to its final position (in the same room) as possible.

- Assemble on a soft level surface to avoid damaging the unit or your floor (use opened out unit carton).



- We do not recommend the use of power drill/drivers **for inserting screws**, as this could damage the unit. Only use hand screwdrivers.

- **Safety note:** It is recommended that this unit is secured to a wall using the bracket supplied.

- Dispose of all packaging carefully and responsibly.

## Care and maintenance

- Only clean using a damp cloth and mild detergent, do not use bleach or abrasive cleaners.

- From time to time check that there are no loose screws on this unit.

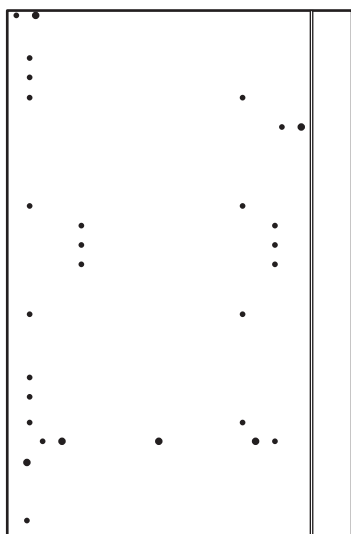
- This product should not be discarded with household waste. Take to your local authority waste disposal centre.

**Note:** If required the next page can be cut out and used as reference throughout the assembly. Keep this page with these instructions for future reference.

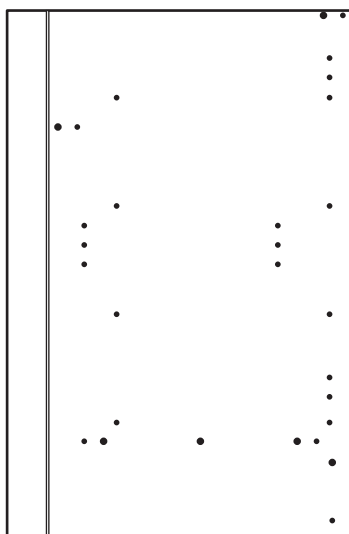
# Components - Panels

If you have damaged or missing components, call the **Customer Helpline: 08456 400800** quoting the reference numbers below

Please check you have all the panels listed below



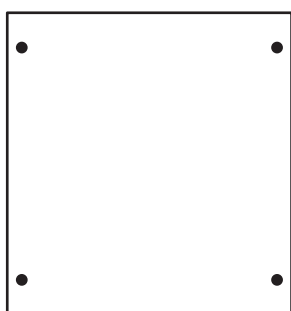
**1** Left Side (D0315B)  
(870 X 570mm)



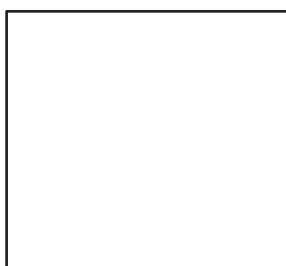
**2** Right Side (D0316B)  
(870 x 570mm)



**3** Top (D0338A)  
(500 x 590mm)



**4** Base (D0319A)  
(470 X 499mm)



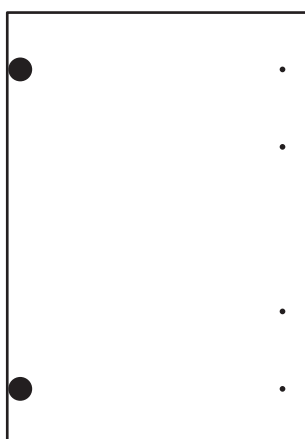
**5** Shelf (D0320A)  
(469 x 427mm)



**6** Rail (D0321A)  
(470 x 60mm) x 2



**7** Plinth (D0322A)  
(470 x 150mm)



**8** Door (D0317A)  
(716 x 497mm)



**9** Back (X739)  
(480 x 533mm)


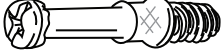

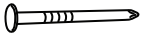

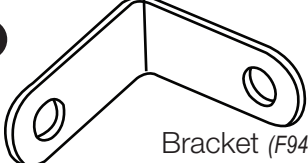




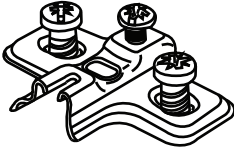
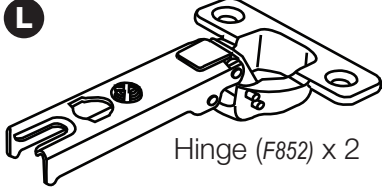
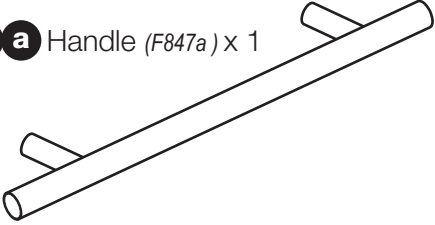



# Components - Fittings

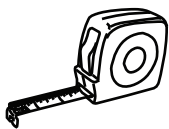
If you have damaged or missing components, call the **Customer Helpline: 08456 400800** quoting the reference numbers below

Please check you have all the fittings listed below

**Note:** The quantities below are the correct amount to complete the assembly. In some cases more fittings may be supplied than are required.

<p><b>A</b> </p> <p>Wooden dowel (F22) x 12</p>	<p><b>B</b> </p> <p>Metal dowel (F901) x 10</p>	<p><b>C</b> </p> <p>Large locking nut (F900) x 10</p>
<p><b>D</b> </p> <p>Nail (F51) x 8</p>	<p><b>E</b> </p> <p>Shelf support (F110) x 4</p>	<p><b>F</b> </p> <p>Bracket (F945) x 4</p>
<p><b>G</b> </p> <p>25mm Screw (F50) x 2</p>	<p><b>H</b> </p> <p>13mm Screw (F79) x 6</p>	<p><b>I</b> </p> <p>13mm Screw (F63) x 4</p>
<p><b>J</b> </p> <p>Door Buffer (F137) x 2</p>	<p><b>K</b> </p> <p>Hinge Plate (F853) x 2</p>	<p><b>L</b> </p> <p>Hinge (F852) x 2</p>
<p><b>M a</b>  Handle (F847a) x 1</p> <p><b>M b</b>  Handle Screw (F847b) x 2</p>		

## Tools required



Rule



Cross-head screwdriver



Scissors



Hammer



Eye protection (when using a hammer or drill)



Electric drill

Ruler - Use this ruler to help correctly identify the screws

mm 10 20 30 40 50 60 70 80 90 100 110 120 130 140 150 160 170

# Assembly Instructions

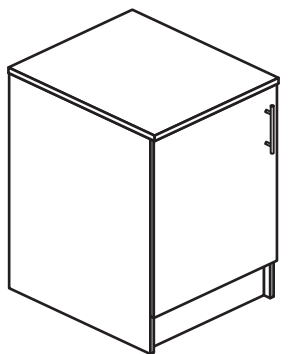
If you have damaged or missing components, call the  
**Customer Helpline: 08456 400800** quoting the reference  
numbers below

## Step 1

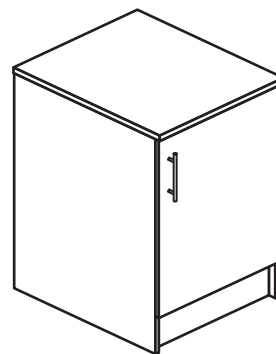
### Choose which way you would like the door to open

You can fit the door to the left side or right side.

If you would like your door to open this way, fit the hinge plates to the left side



If you would like your door to open this way, fit the hinge plates to the right side



## Step 2

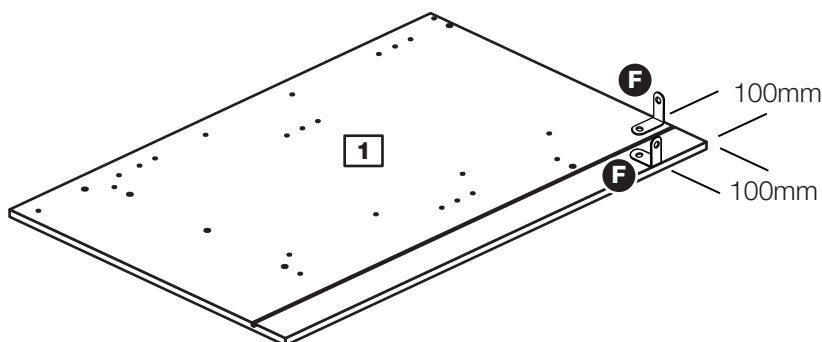
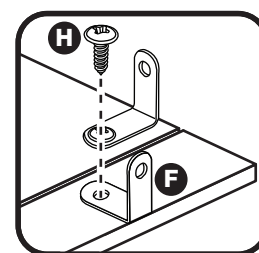
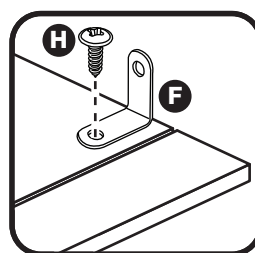
### Fit 2 brackets to the left side

Fit a bracket **F** to the left side **1**, 100mm in from the back edge, see diagram.

Fit another bracket **F** to the left side **1**, 100mm down from the top edge, see diagram.

Secure each bracket using screw **H**.

**Note:** The brackets must be flush with the edges of the panel.



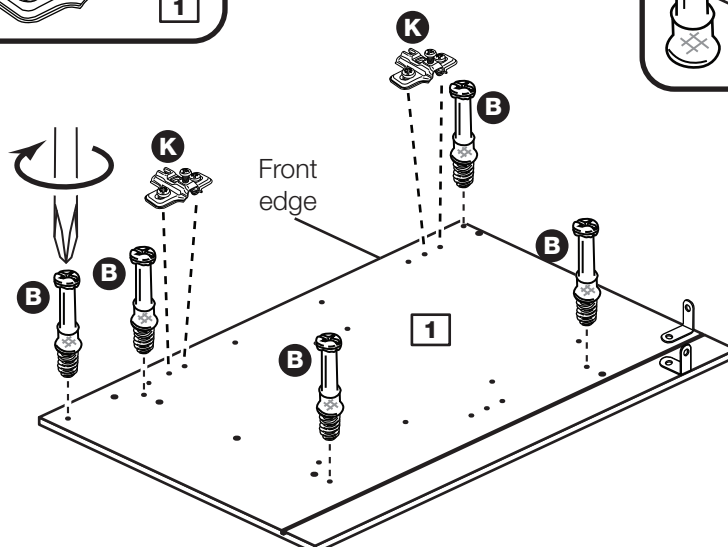
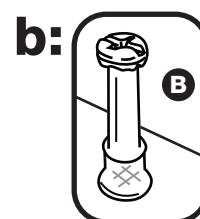
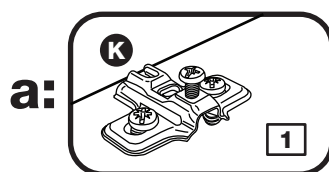
## Step 3

### Prepare the left side

**a:** Refer to step 1 and, if required, fit 2 hinge plates **K** onto the left side **1**, making sure that the slot is facing towards the front edge.

**b:** Screw 5 metal dowels **B** into the holes shown on the left side **1**.

**Note:** Tighten metal dowels up fully against the panels.



# Assembly Instructions

## Step 4

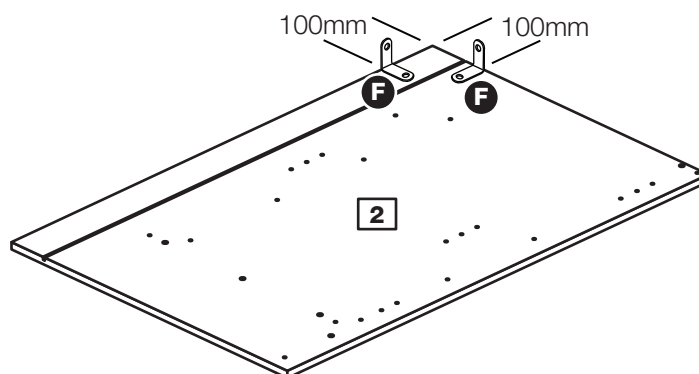
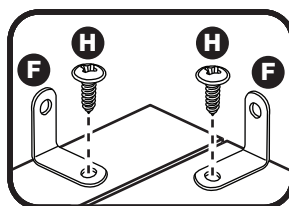
### Fit 2 brackets to the right side

Fit a bracket **F** to the right side **2**, 100mm down from the back edge, see diagram.

Fit another bracket **F** to the right side **2**, 100mm down from the top edge, see diagram.

Secure each bracket using screw **H**.

**Note:** The brackets must be flush with the edges of the panel.



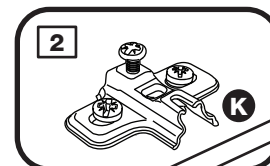
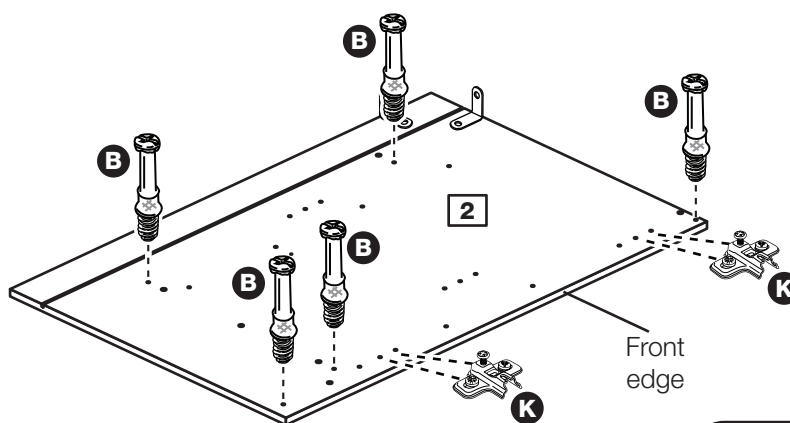
## Step 5

### Prepare the right side

**a:** Refer to step 1 and, if required, fit 2 hinge plates **K** onto the right side **2**, making sure that the slot is facing towards the front edge.

**b:** Screw 5 metal dowels **B** into the holes shown on the right side **2**.

**Note:** Tighten metal dowels up fully against the panels.



# Assembly Instructions

## Step 6

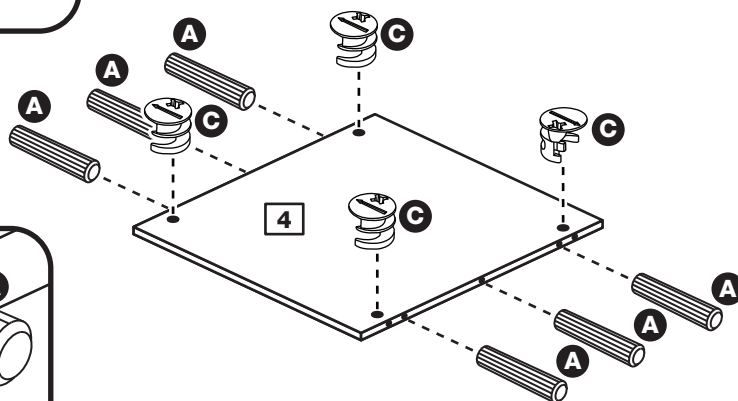
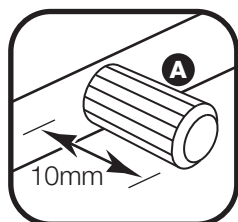
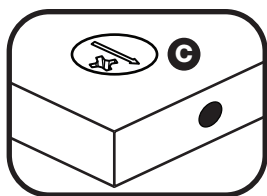
### Prepare the base

Insert 4 large locking nuts **C** into the base **4** as shown.

**Note:** Arrow on locking nut **must** point towards hole in edge of panel.

Tap 6 wooden dowels **A** into the base **4** as shown.

**Note:** Wooden dowels **must not** stick out from the edge by more than 10mm or they may damage other panels.



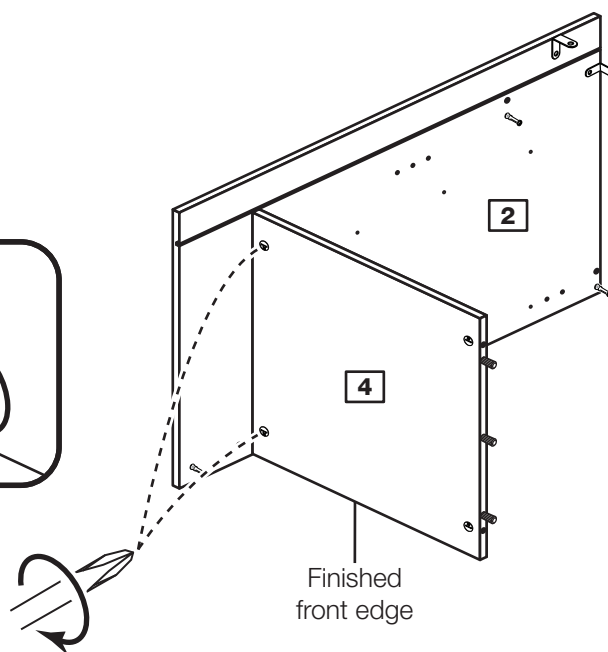
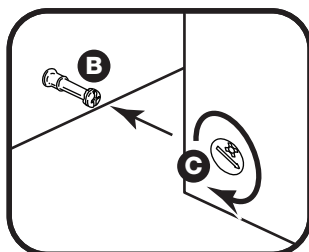
## Step 7

### Fit the base to the right side

Push the base **4** onto the right side **2**.

Use a screwdriver to tighten the 2 large locking nuts **C** fitted to the base **4**.

**Note:** Turn the large locking nuts **C** as far as they will go - more than 1/2 a turn.

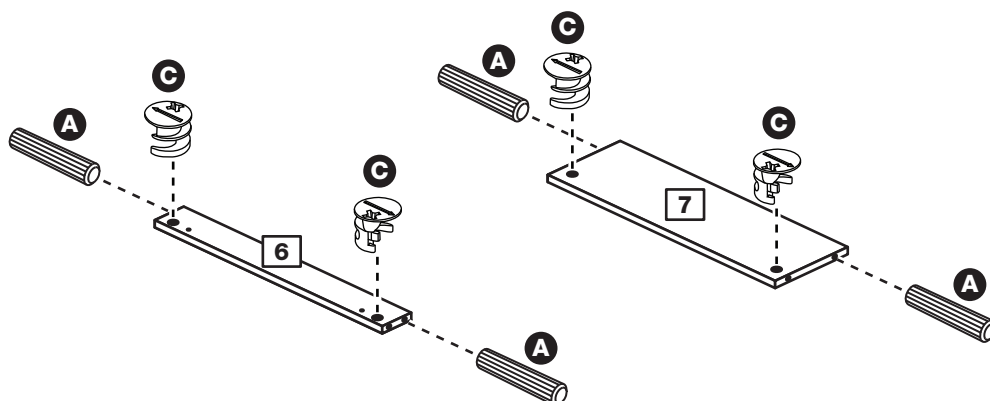


## Step 8

### Prepare the 2 rails and plinth

Insert 2 large locking nuts **C** into each of the 2 rails **6** and plinth **7** as shown.

Tap 2 wooden dowels **A** into the 2 rails **6** and plinth **7** as shown.



# Assembly Instructions

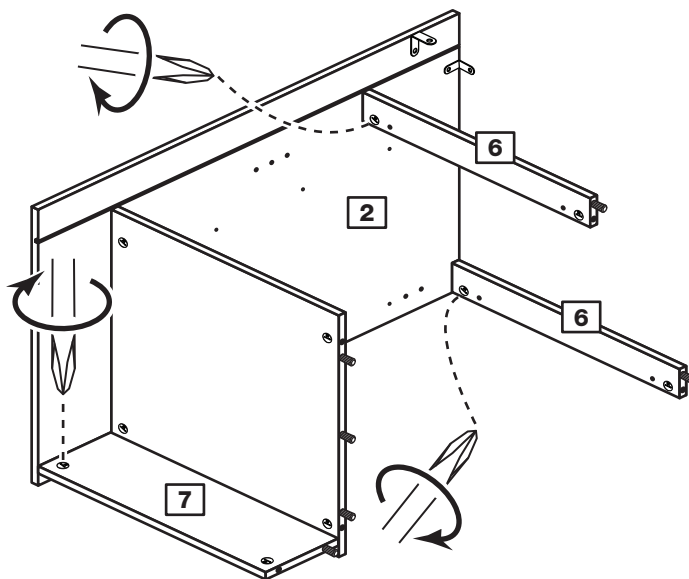
## Step 9

### Fit the 2 rails and plinth

One at a time, push the 2 rails **6** and plinth **7** onto the right side **2** as shown.

Use a screwdriver to tighten the 3 large locking nuts **C** fitted to the 3 panels, as shown.

**Note:** Turn the large locking nuts **C** as far as they will go - more than 1/2 a turn.



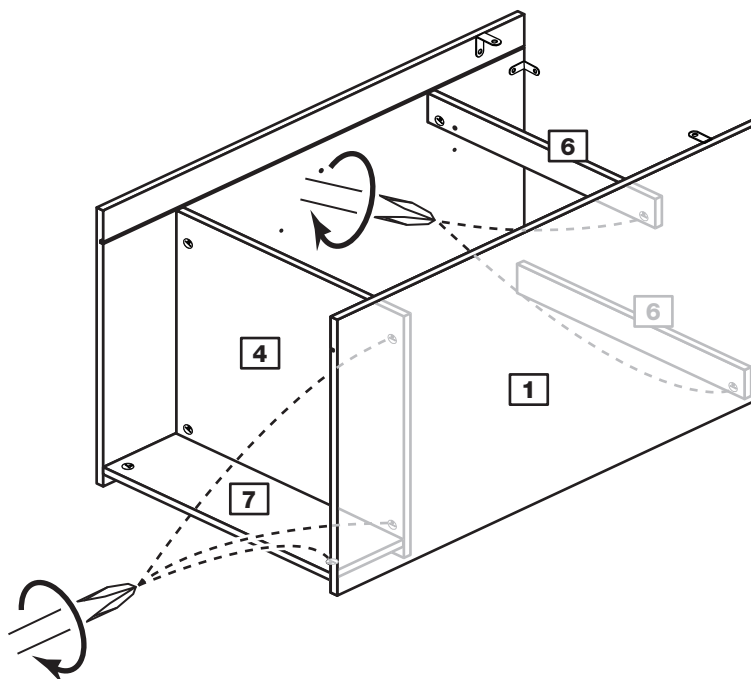
## Step 10

### Fit the left side

Push the left side **1** onto the assembly.

Use a screwdriver to tighten the 5 large locking nuts **C** fitted to the base **4**, rails **6** and plinth **7**.

**Note:** Turn the large locking nuts **C** as far as they will go - more than 1/2 a turn.





# Assembly Instructions

## Step 11

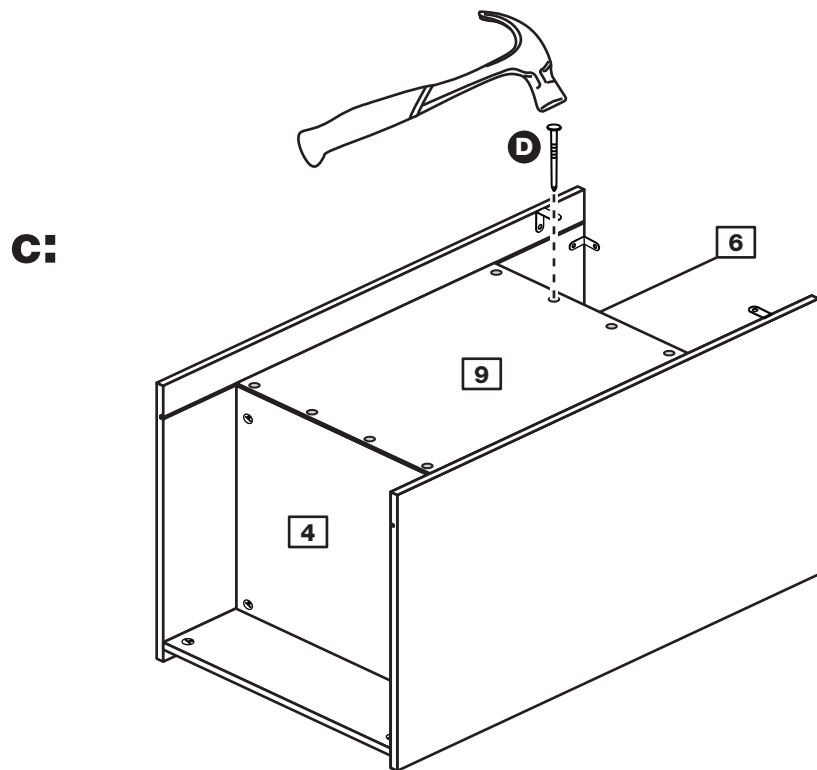
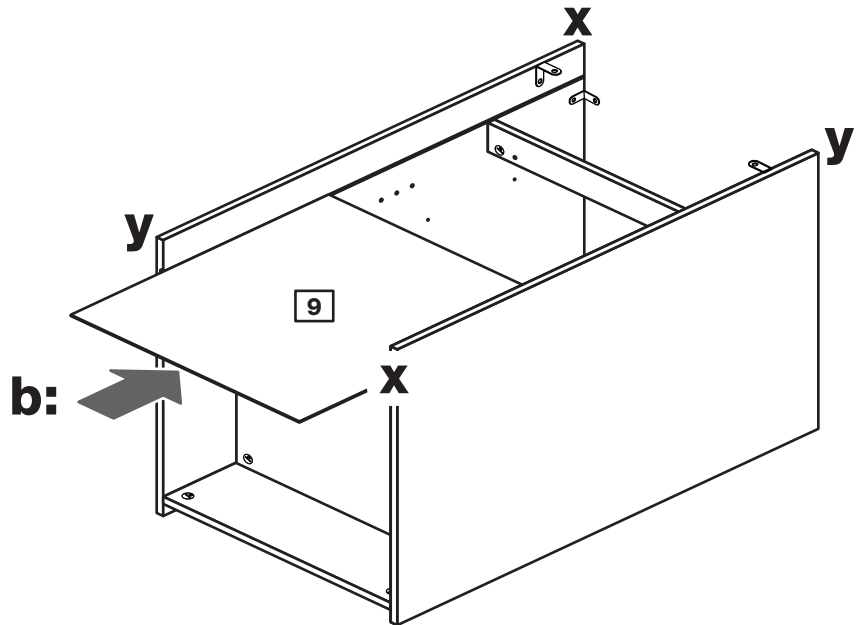
### Fit the back

**a:** Square up the unit by making sure that measurement **x to x** equals **y to y**.

**b:** Slide the back **9** into the grooves along the left **1** and right **2** sides, as shown.

**c:** Secure the back **9** by tapping 4 nails **D** down into the back edge of the base **4** and 4 nails **D** into the back edge of the rail **6**.

**a:** The measurement from top corner X to bottom corner X must be equal to the measurement from top corner Y to bottom corner Y



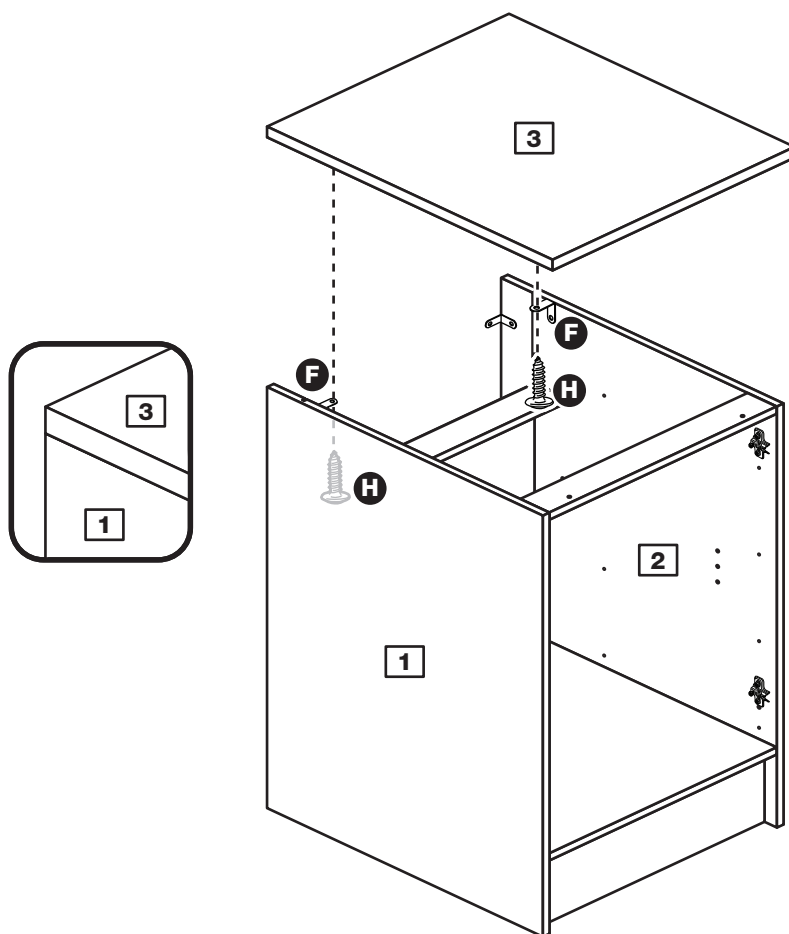
# Assembly Instructions

## Step 12

### Fit the top

Position the top **3** onto the unit, making sure that the back edge is flush with the back edge of the sides **1** and **2**.

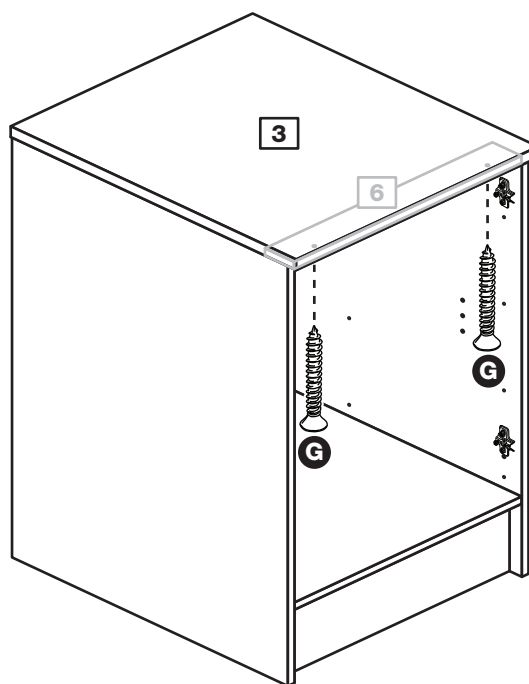
Secure the top **3** using screw **H** through the 2 brackets **F** fitted at the top edge of the side panels **1** and **2**.



## Step 13

### Secure the front of the top

To secure the front of the top **3**, screw up through the 2 holes in the rail **6** at the front of the unit using screws **G**.



# Assembly Instructions

## Step 14

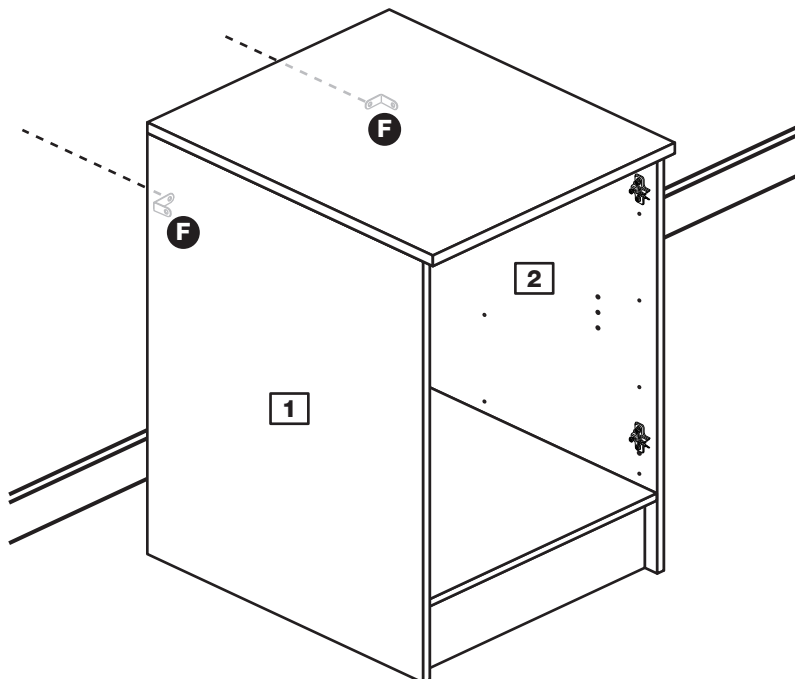
### Secure the unit to the wall

Using the brackets **F** fitted to the back edge of the sides **1** and **2** screw the unit to the wall.

Fixings are not supplied as they will need to suit the wall type, and the length of screw will depend on the distance of the back of the Unit to the wall.



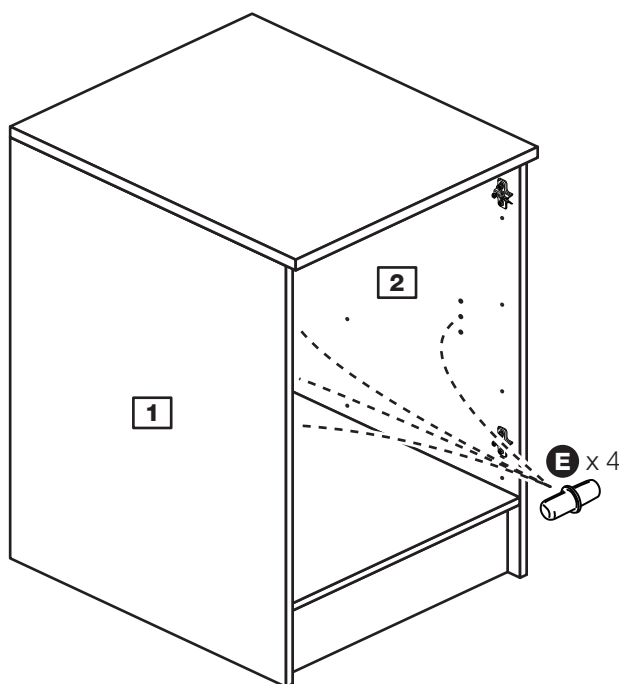
**Warning:** Take care when drilling the wall that you do not drill into any pipes, wires etc. If in doubt, consult an expert.



## Step 15

### Fit the shelf studs

Push 4 shelf studs **E** into the holes in the side panels **1** and **2** at the desired height.

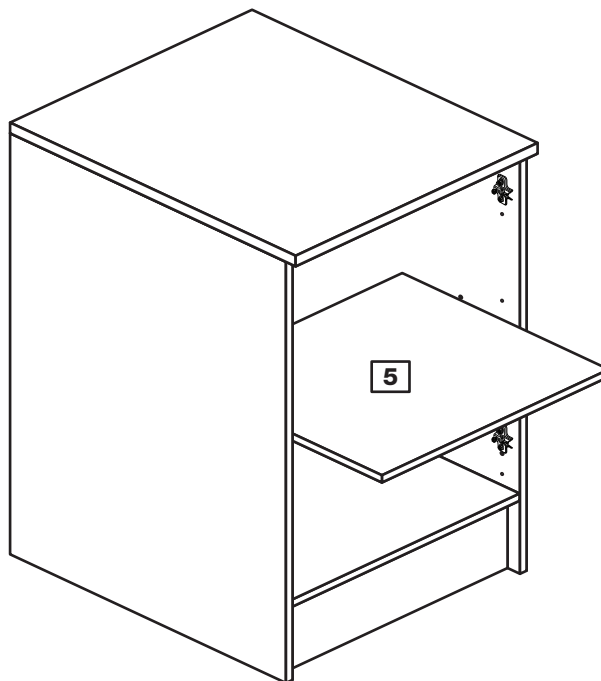


# Assembly Instructions

## Step 16

### Fit the shelf

Place the shelf **5** into the unit onto the shelf studs **E**.



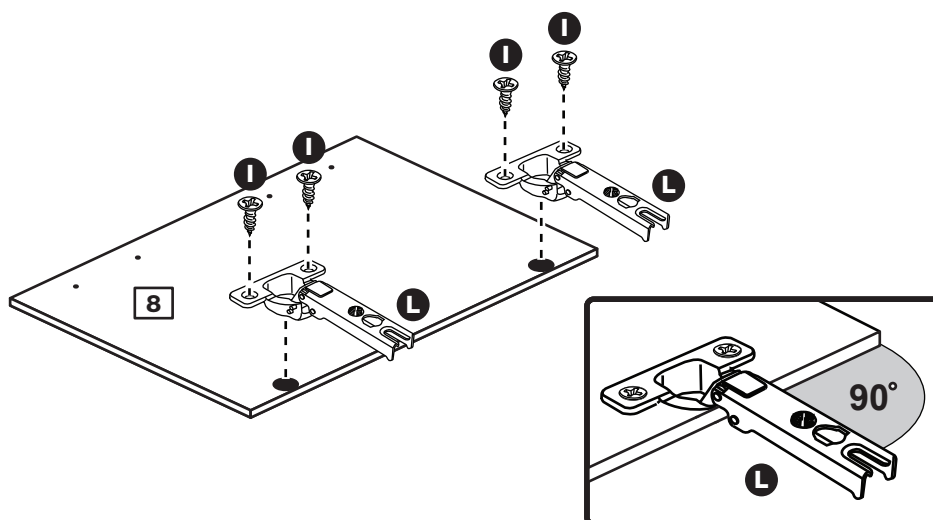
## Step 17

### Prepare the door

Push fit the 2 hinges **L** into the door **8**.

Secure each hinge with 2 screws **I**.

**Note:** Before securing with the screws, make sure that the hinges are positioned at 90 degrees with the front edge of the door.



# Assembly Instructions

## Step 18

### Drill the handle holes in the door

**Important:** Please follow these instructions carefully.

Lay the door **8** down onto a smooth surface.

**Important:** Carefully choose which holes you need to drill.

This will depend on which side **1** or **2** you fitted the hinge plates **K**.

Check that the holes and hinges are in the same place as the diagrams.

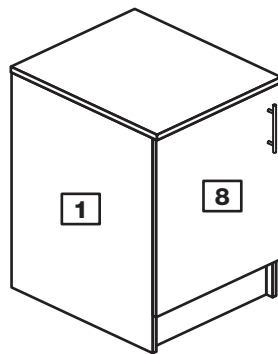
**Note:** We recommend the use of a small piece of waste wood, placed behind the hole while drilling, to reduce the possibility of any breakout.

Using the pilot hole in the rear face of the door, **8** drill through the holes indicated opposite, using a 2.5mm diameter drill.

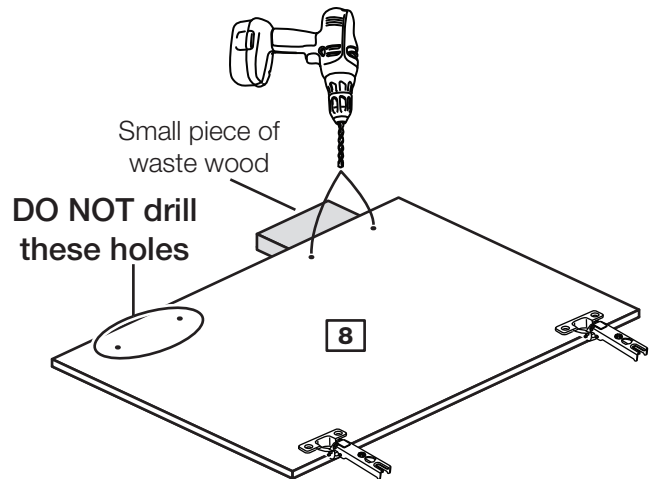
Turn the door **8** over and open out the 2.5mm holes that you have just drilled by drilling back through them with a 5mm drill.

Carefully choose which 2 holes you will need to drill

Drill these 2 holes if you have fitted the hinges to the left side.

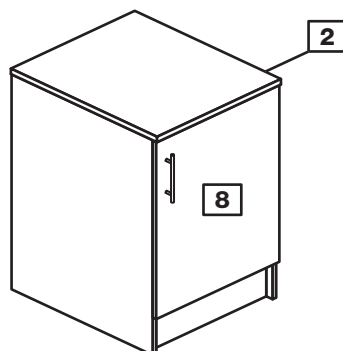


ONLY drill these 2 holes

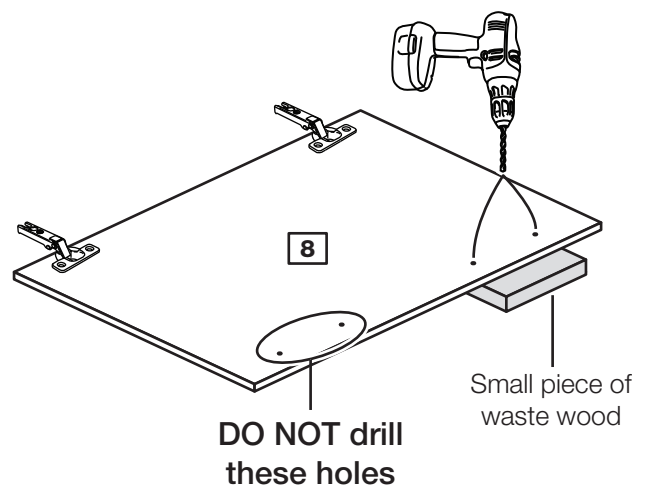


or

Drill these 2 holes if you have fitted the hinges to the right side.



ONLY drill these 2 holes



# Assembly Instructions

## Step 19

### Fit doors and handles

*2 people are needed here*

**Note:** The easiest way to attach the door **4** is to fit the top hinge first, then align and fit the other hinges.

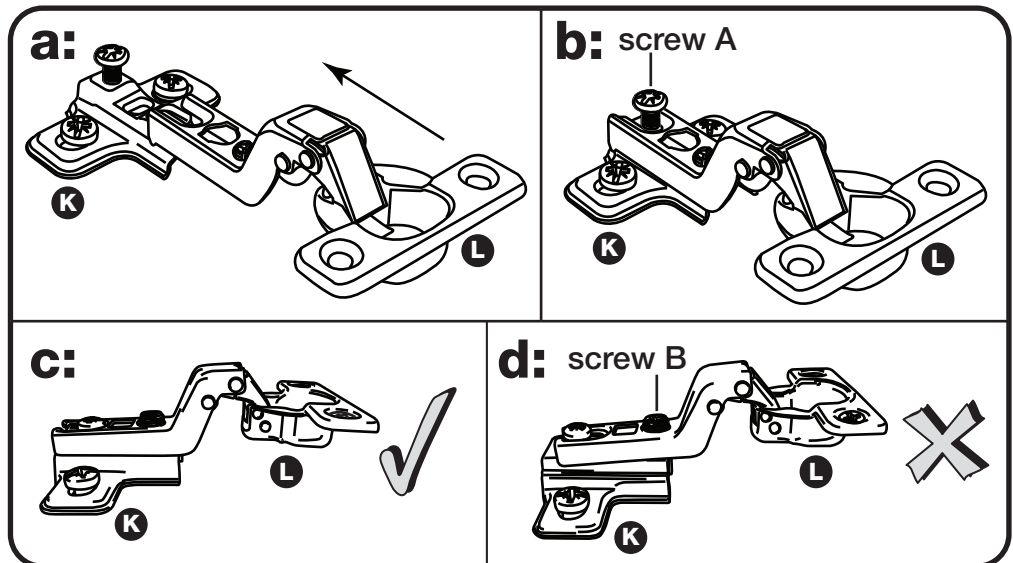
**a:** Push the hinge **L** onto the front part of the hinge plate **K**.

**b:** Keep the hinge **L** FLAT against the hinge plate **K** as you slide it across as far as it will go. Tighten screw A.

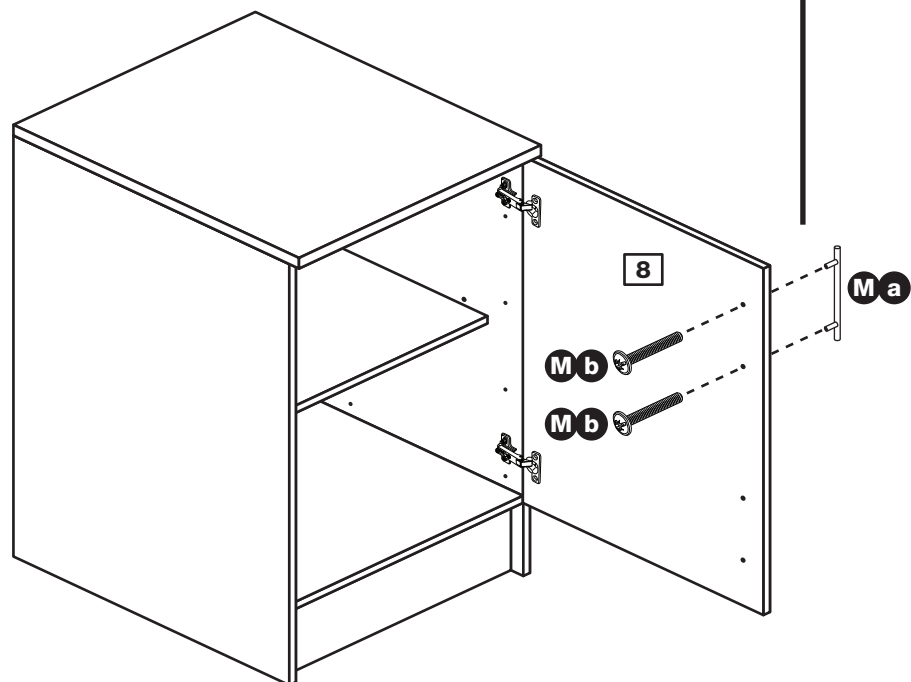
**c:** The hinge **L** must be flat against the hinge plate **K** prior to any adjustment.

**d:** The hinge **L** must NOT be AT AN ANGLE to the hinge plate **K** when assembled. This would indicate that the recess at the bottom of screw B had not located in the slot in the hinge plate and the hinge would not be secure. Remove the hinge from the hinge plate and then re-assemble being careful to follow instructions a-c.

**e:** Attach a handle **Ma** to the door **4** using 2 screws **Mb**.



This shows the door being fitted to hinge plates on the right side. You may have fitted them to the left side.



# Assembly Instructions

## Step 20

### Adjust the door if needed

#### **a: Height adjustment.**

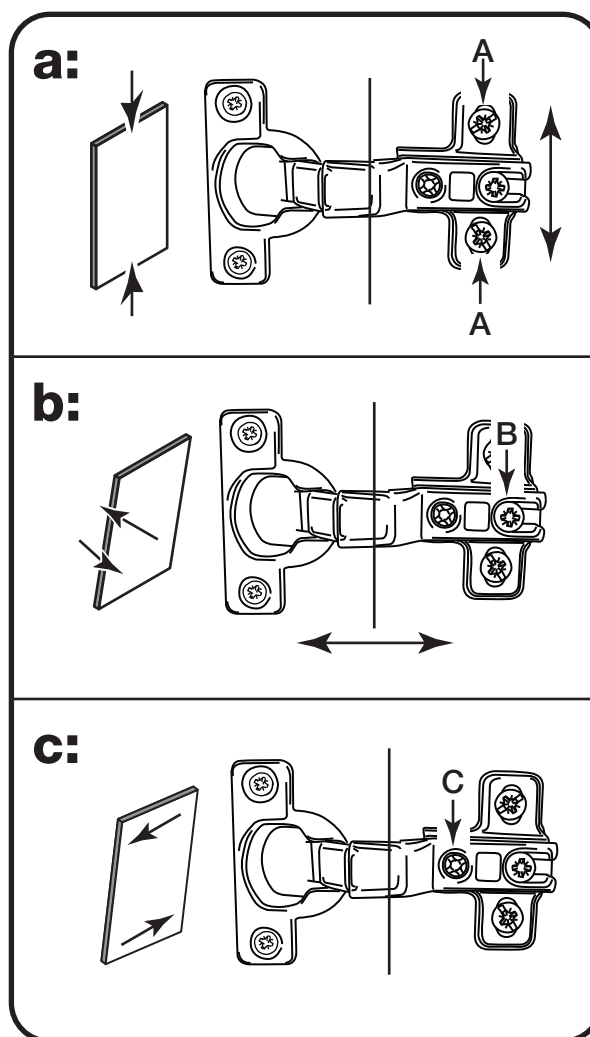
Loosen screws A on hinge plates and move door up or down as required.  
Retighten screw A.

#### **b: Forward and Back adjustment.**

Loosen screw B on hinge plate and move door in or out as required.  
Retighten screw B.

#### **c: Sideways adjustment.**

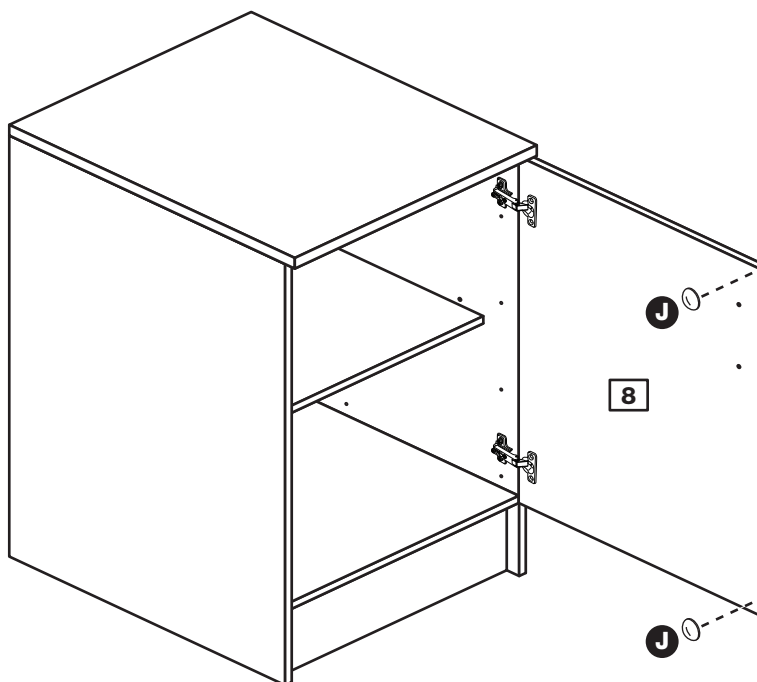
To move door 'out' loosen screw C.  
To move door 'in' tighten screw C



## Step 21

### Fit the door buffers

Stick a door buffer **J** onto each corner of the door **8** so that they hit the edge of the side panel when the door is closed.



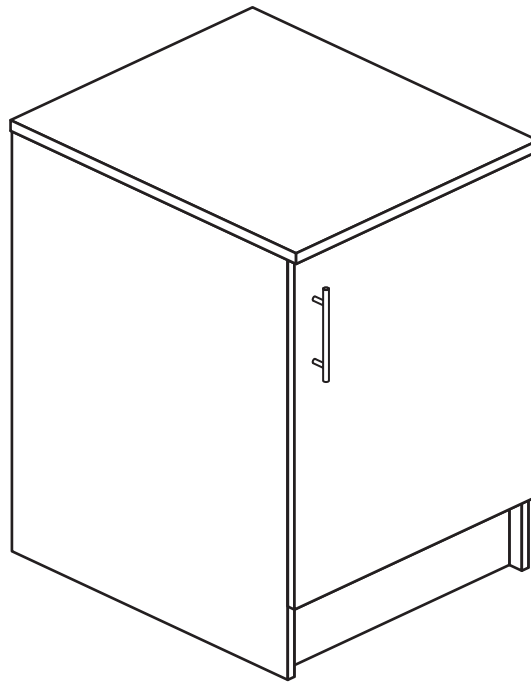
# Assembly Instructions

## Step 22

**Assembly is complete**



**Warning:** The unit is heavy. Lift with care.



If you need help or have damaged or missing parts, call the **Customer Helpline: 08456 400800** and quote the reference numbers on the component pages.

Argos Ltd, 489-499 Avebury Boulevard, Central Milton Keynes, MK9 2NW