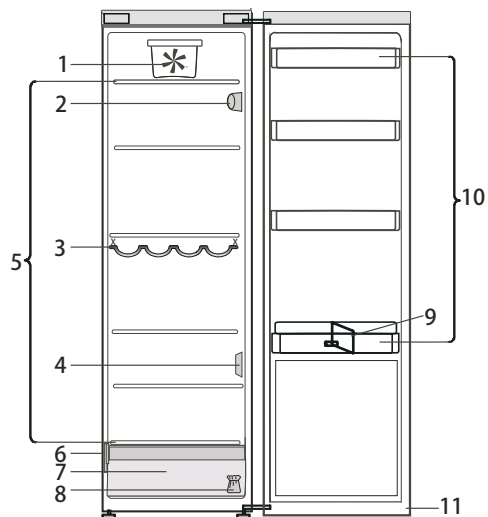


Read the Instructions for Use carefully before using the appliance.



1. Fan*
2. Electronic control panel / light unit
3. Bottle rack*
4. Sensor cover
5. Area shelves
6. Rating plate with commercial name
7. Fruits and vegetables crisper*
8. Door reversibility kit
9. Bottle holder*
10. Door trays
11. Door seal

* Available on selected models

HOW TO START THE APPLIANCE

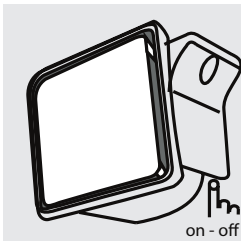
After plugging the appliance to the mains, it starts the operation automatically. After starting the appliance, wait at least 4-6 hours before placing food into the appliance. When the appliance is connected to the power supply, the display lights up and all the icons appear on the display for approximately 1 second. The default (factory) values of the fridge compartment settings light-up.

HOW TO REVERSE THE DOOR SWING

- see enclosed Instructions for Use (Version_2)
 Is recommended to reverse door swing by two persons. There is not foreseen door reversibility for:
 - models with integrated handle
 - models with glass panel on the door.

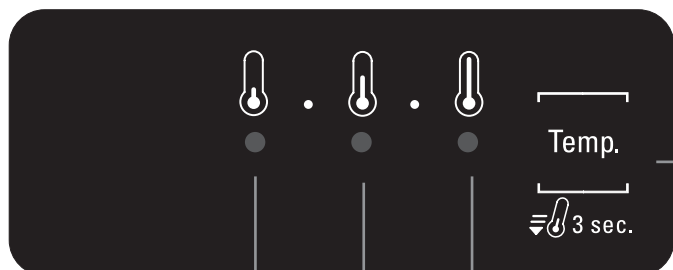
Specifications, technical data and images may vary from model to model

To receive the assistance call the number shown on the warranty booklet or follow the instruction on the web site www.hotpoint.eu



FAN

The fan improves temperature distribution inside the refrigerator compartment, allowing better preservation of stored food. By default, the fan is switched on. It is advisable to keep the fan switched on when the ambient air temperature is above 27 - 28°C or if you notice drops of water on the glass shelves or in severe humidity conditions. To turn off the fan press the button of fan. Please note that when the fan is switched on it will not continuously work. The fan will start/stop working depending on the temperature and/or humidity level inside the fridge. It is therefore absolutely normal if the fan does not move even if the fan is switched on.



Indicator LEDs to display the current temperature setpoint or the Fast Cooling function.

REFRIGERATOR LIGHT

The light system inside the refrigerator compartment uses LEDs light, allowing a better lightning as well as a very low energy consumption. If the LED light system does not work, please contact the Service to replace it.

Important: The refrigerator compartment light switches on when the refrigerator door is opened. If the door is kept open for more than 8 minutes the light will be automatically switched off.

TEMPERATURE button

FAST COOLING button

FAST COOLING function

The use of the Fast Cooling function is recommended:
 - to increase the cooling speed of the refrigerator compartment when placing a very high quantity of food within it,
 To activate the Fast Cooling function, press and hold for 3 seconds the Temperature button on the control panel till all the 3 LEDs will turn on.



The function is automatically deactivated after 6 hours and return to previous selected set point. The function can be manually deactivated by pressing and holding for 3 seconds the Temperature button on the control panel.

TEMPERATURE button

Press the Temperature button on the control panel to adjust the temperature from the warmest through the lower to the coldest level. Pressing the Temperature button, the temperature setting will change cyclically. At first plug-in of appliance temperature setpoint is present at medium position (factory setting).

Following table shows temperature setpoints:

<input type="radio"/> <input type="radio"/> <input checked="" type="radio"/>	high temp.
<input type="radio"/> <input checked="" type="radio"/> <input type="radio"/>	med-high temp.
<input type="radio"/> <input type="radio"/> <input type="radio"/>	medium temp.
<input checked="" type="radio"/> <input checked="" type="radio"/> <input type="radio"/>	med-low temp.
<input checked="" type="radio"/> <input type="radio"/> <input type="radio"/>	low temp.

❄️/🔊 ••• ❄️/🔊

on off

Note: Displayed set points correspond to the average temperature throughout the whole refrigerator.

ALARMS TABLE

ALARM TYPE	Signal	Cause	Cure
Door open alarm	Refrigerator Light blinks	The door has remained open for more than 5 minutes.	Close the door
Door open alarm	Refrigerator Light OFF	The door has remained open for more than 8 minutes.	Close the door
Malfunction	Any temperature indicators blinks	Product malfunction.	Contact the After-sales Service