

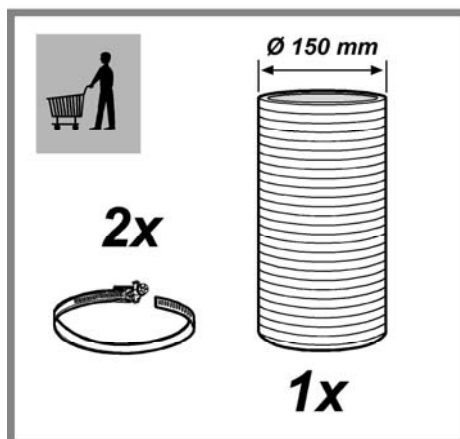
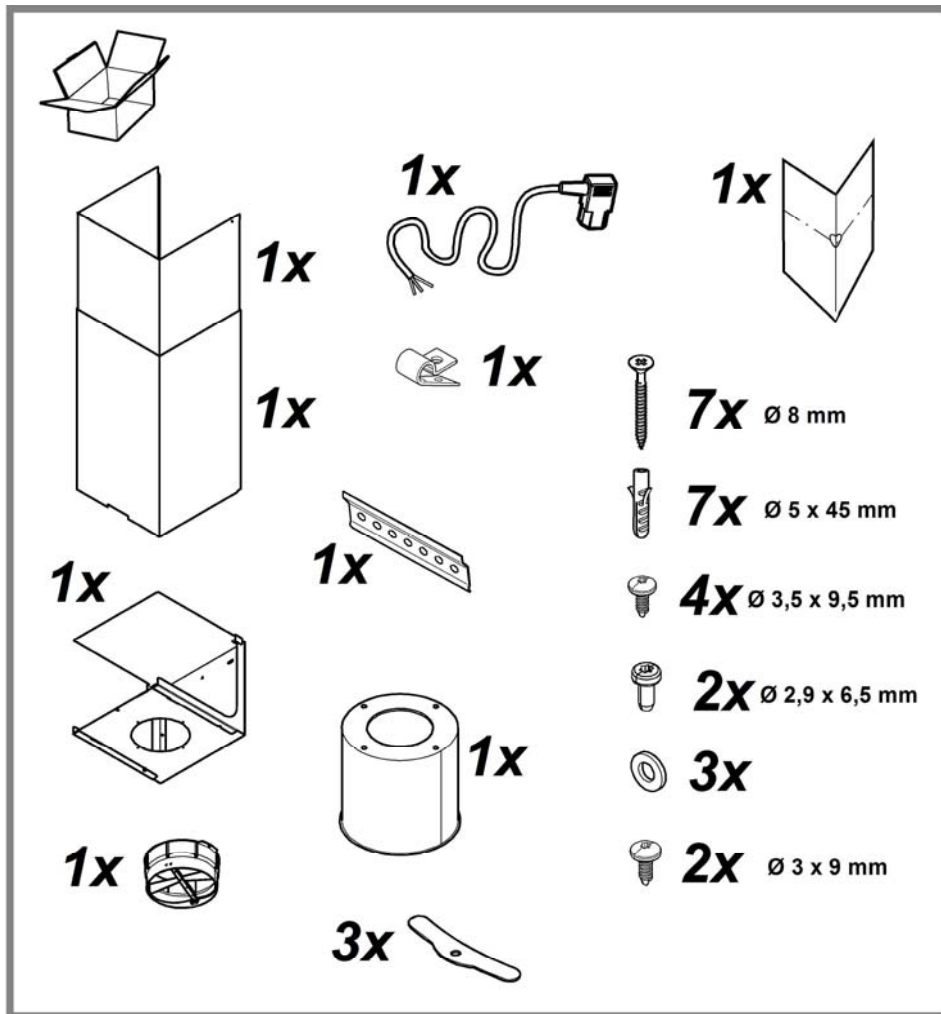
EN

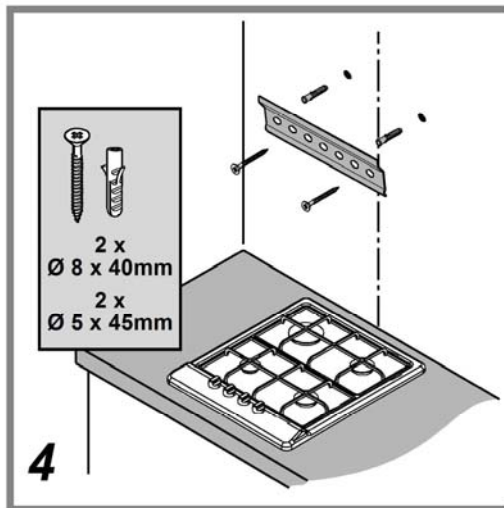
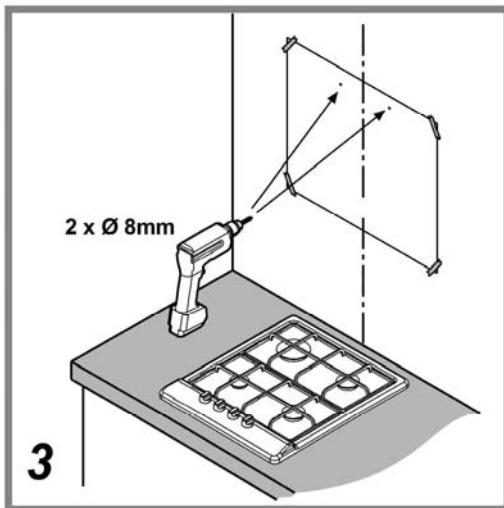
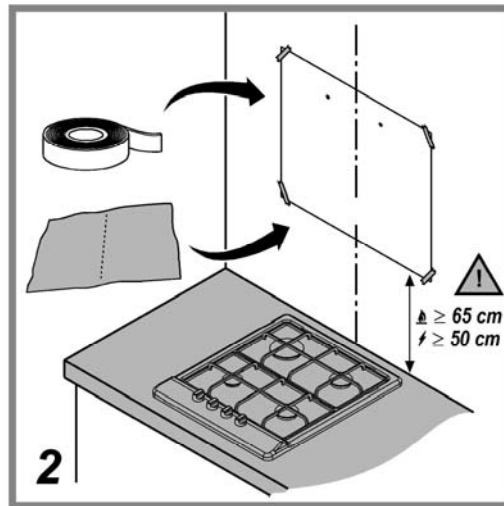
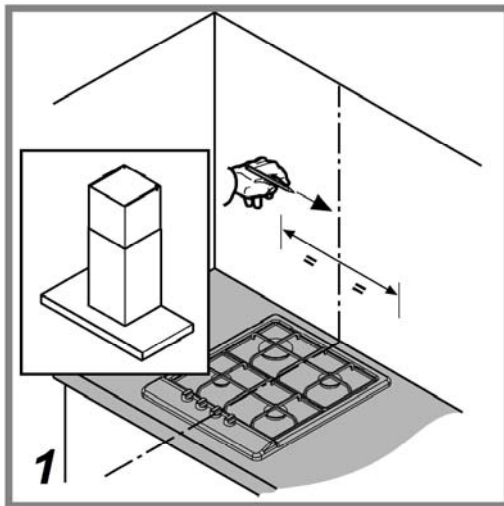
English, 15

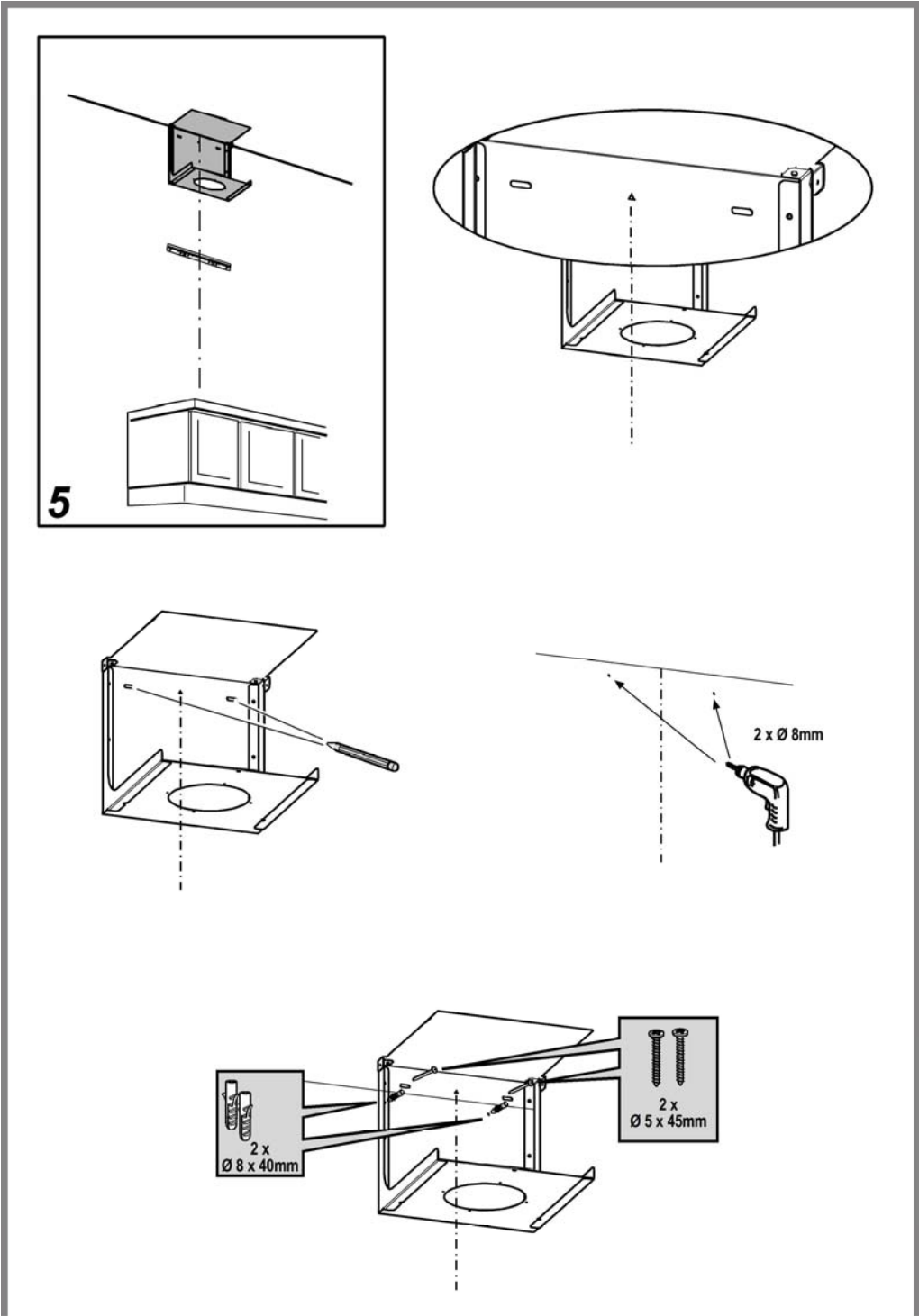
Instructions for use

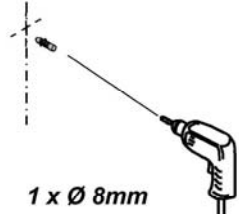
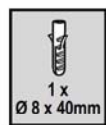
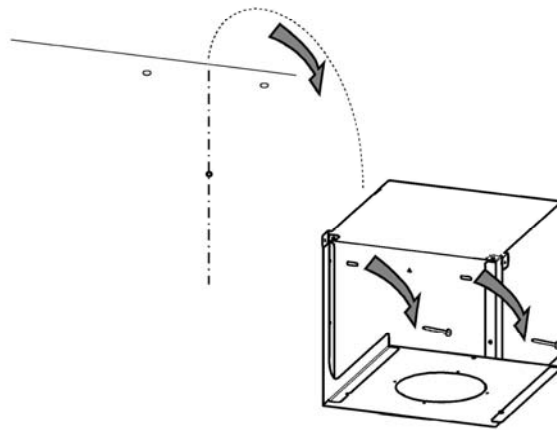
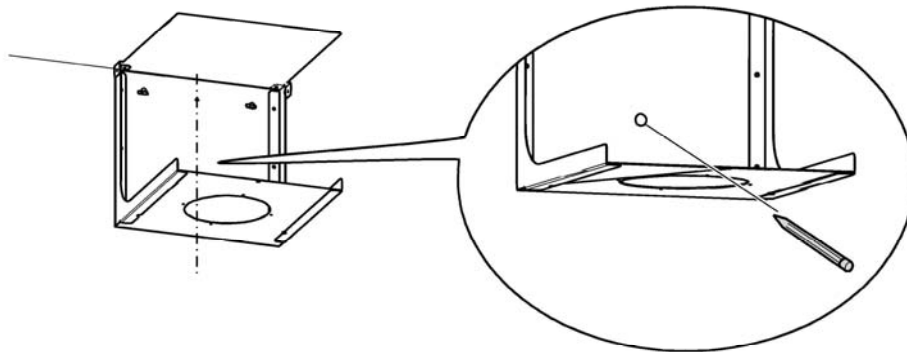
PHBS 9.8C LTD K

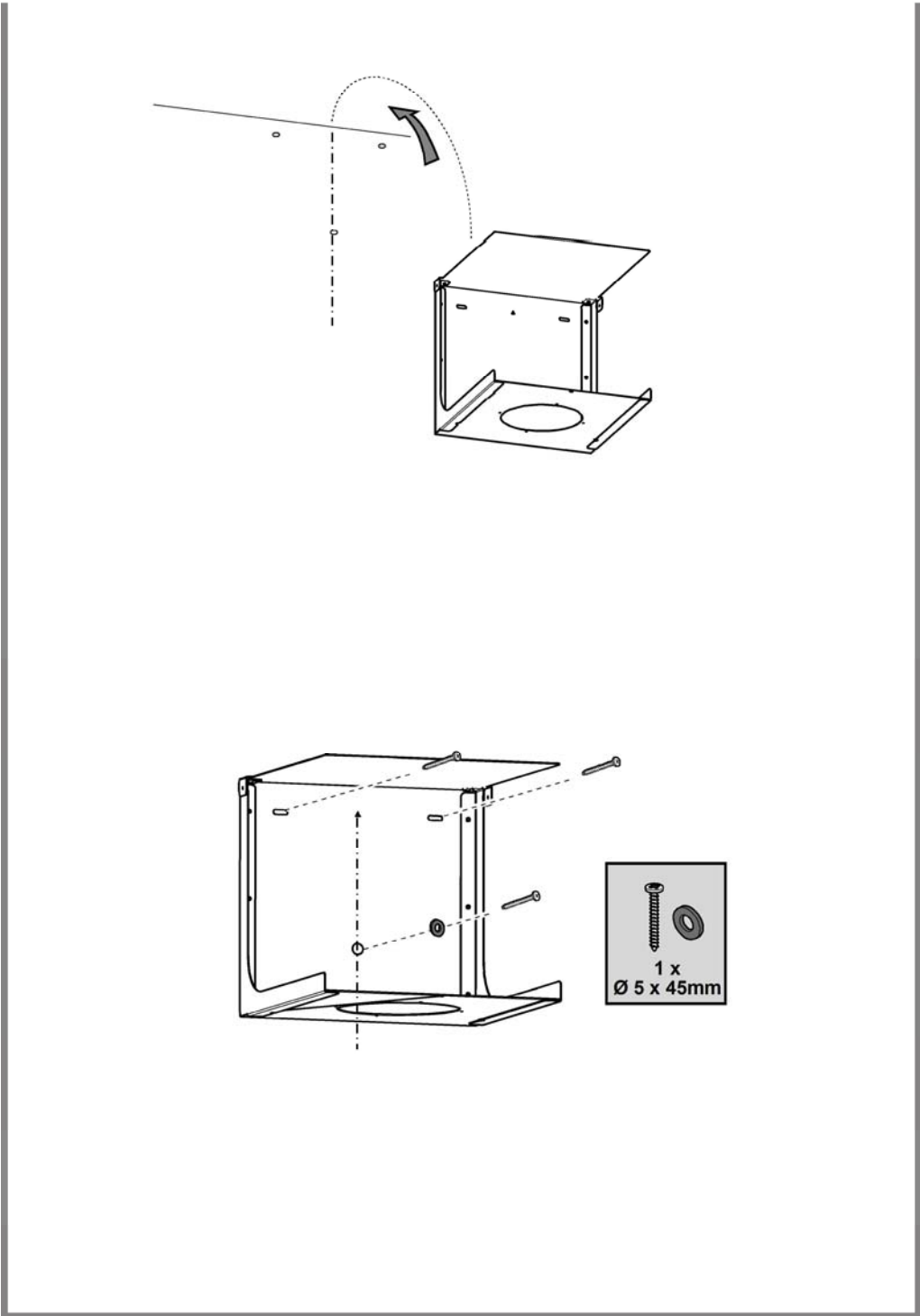


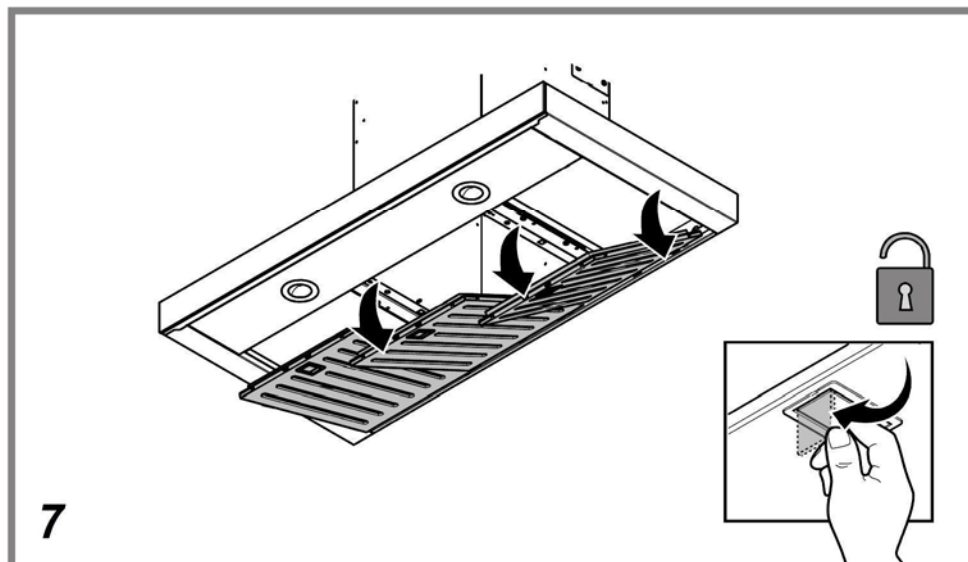
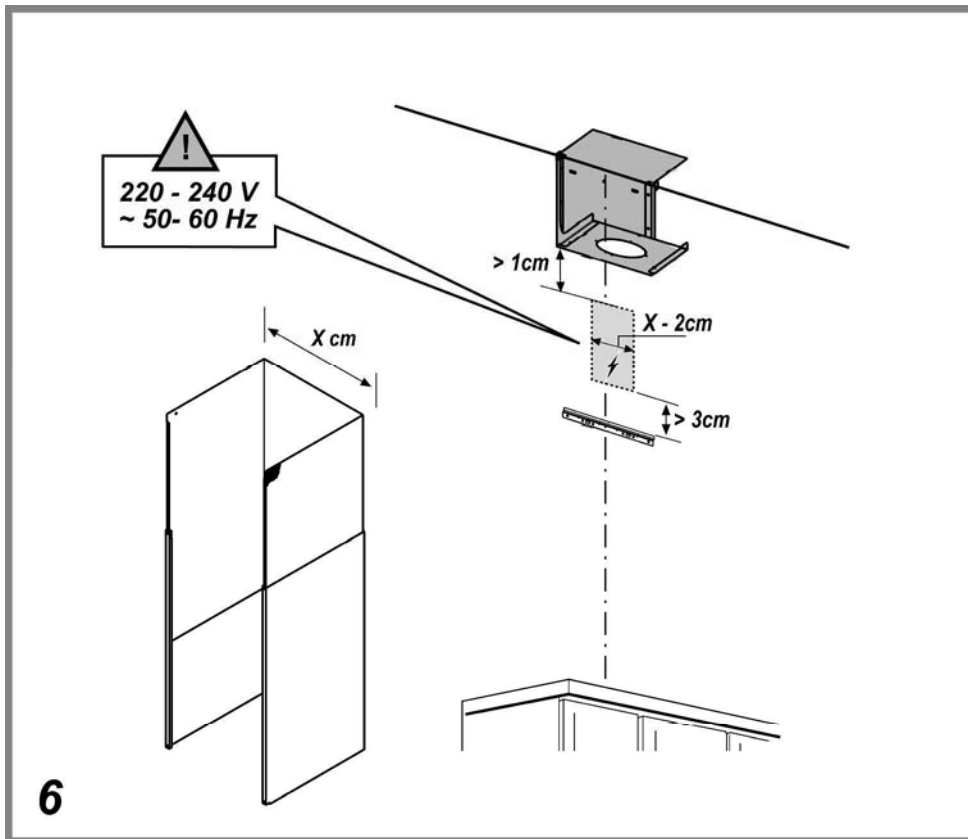


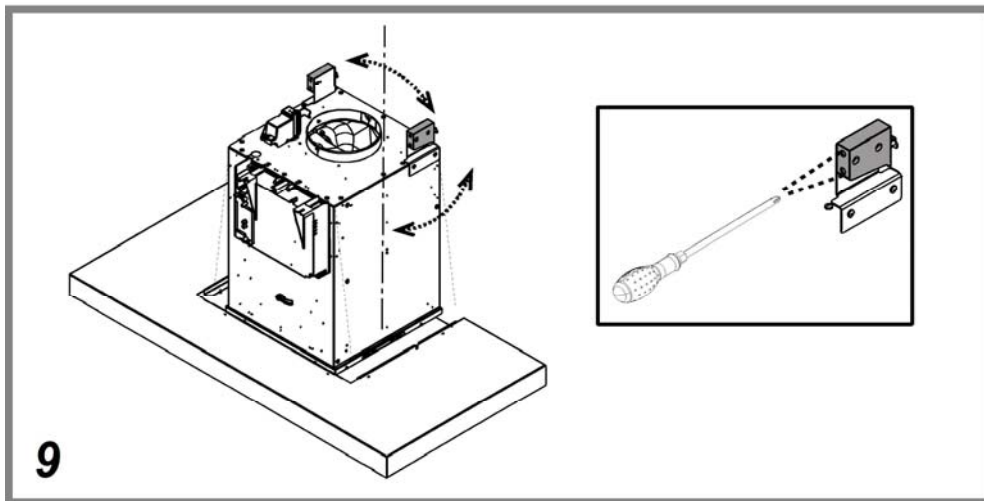
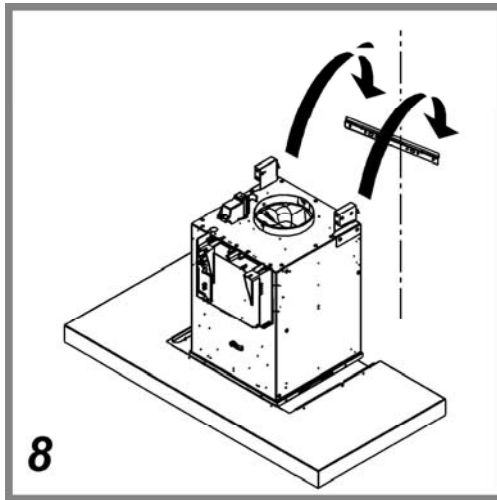


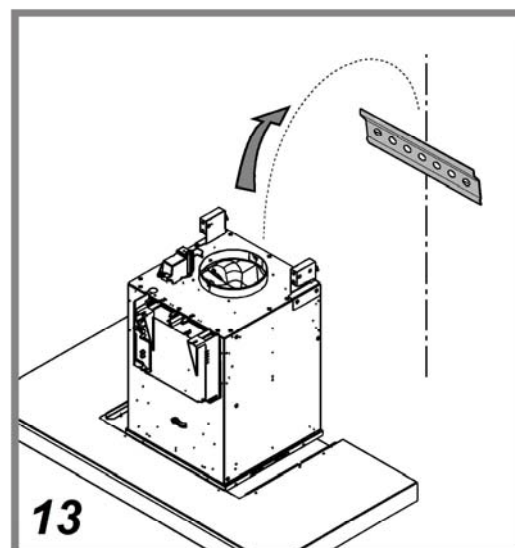
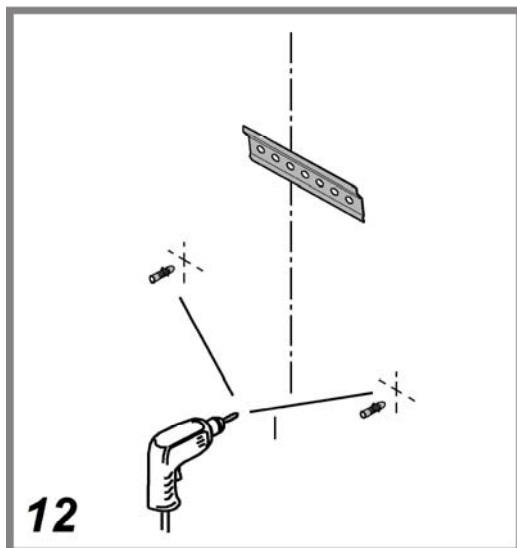
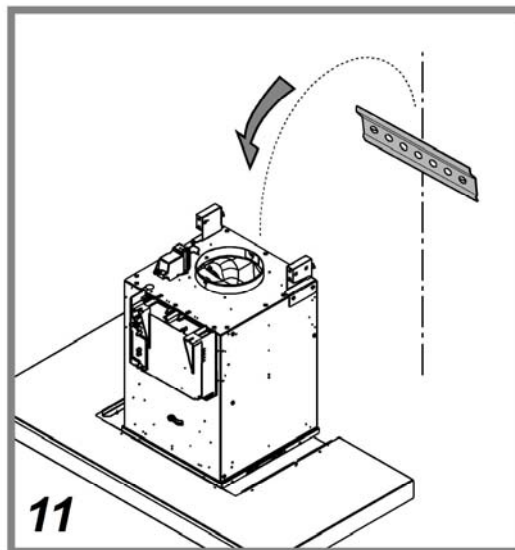
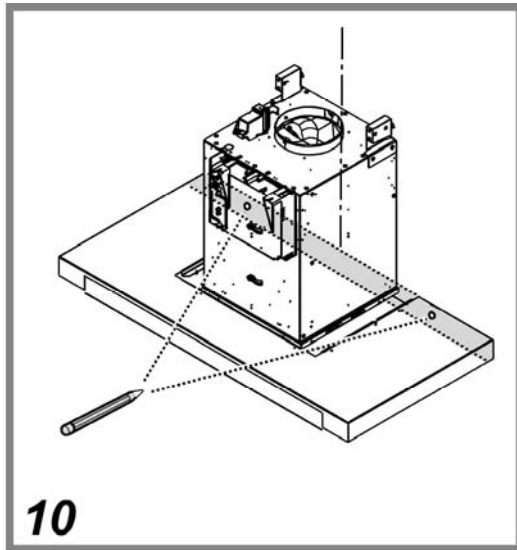


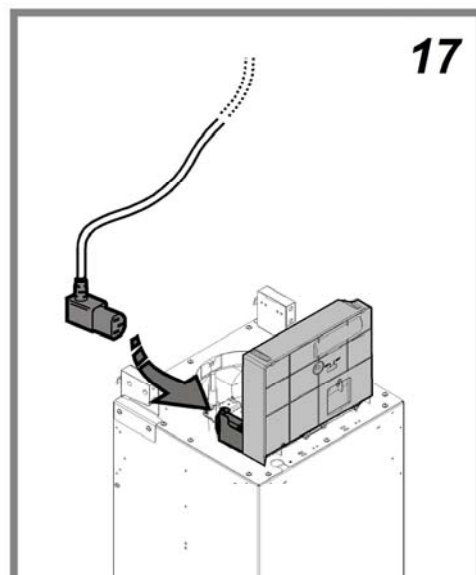
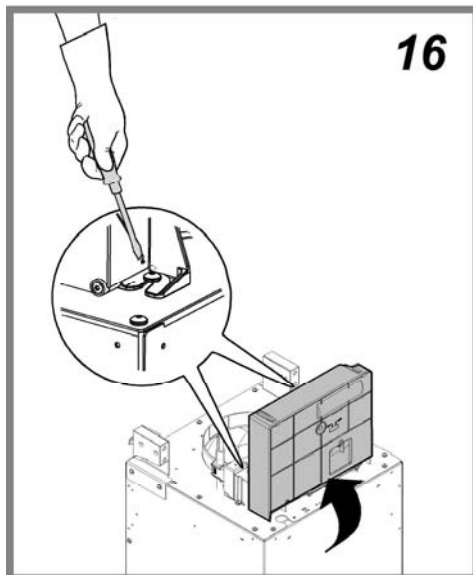
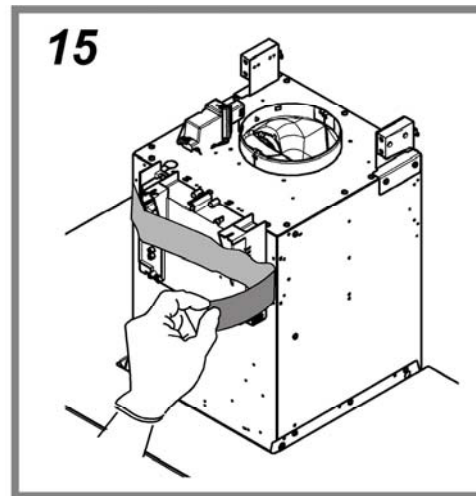
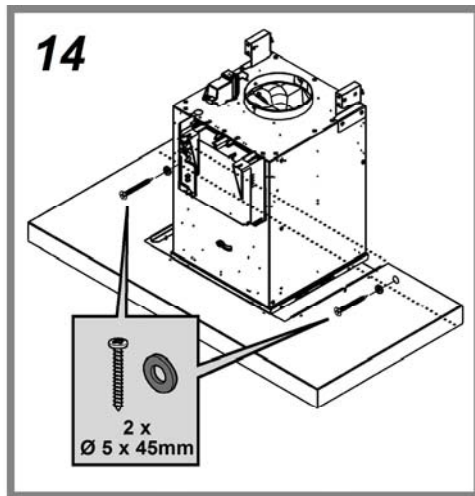


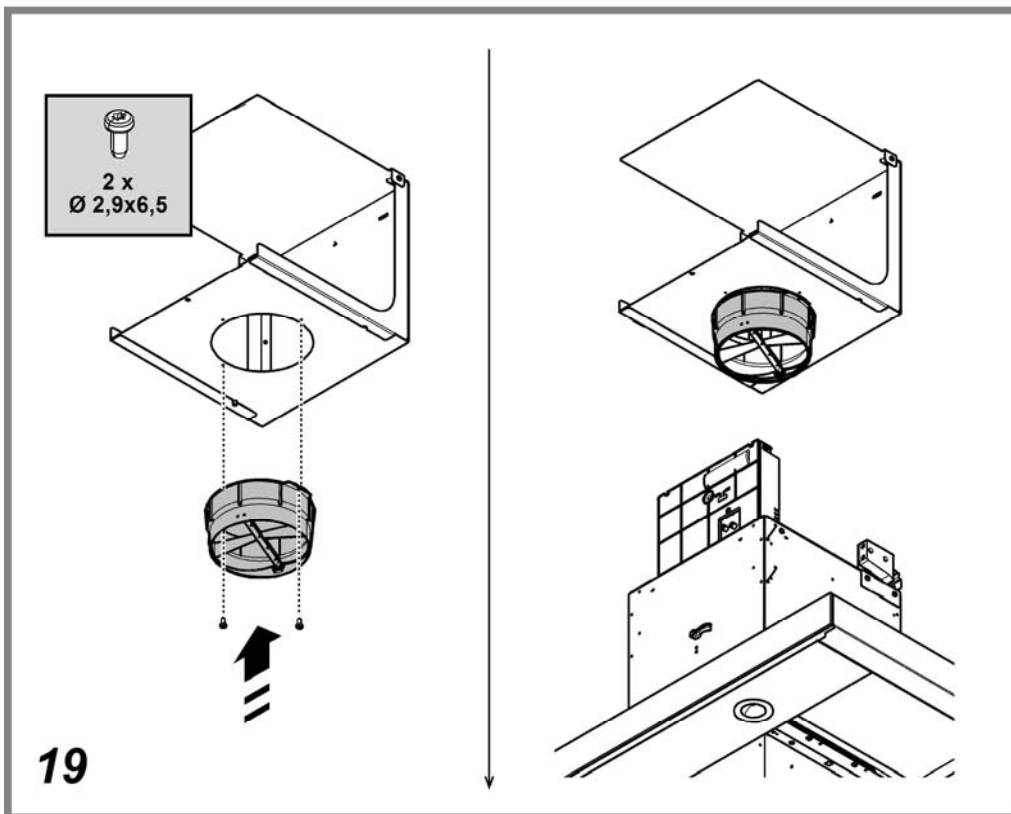
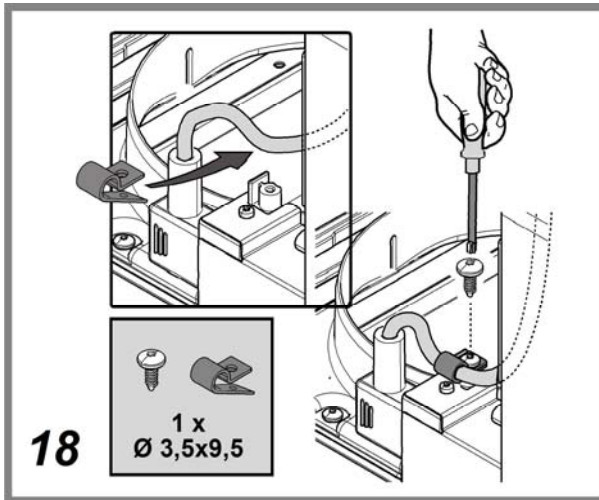


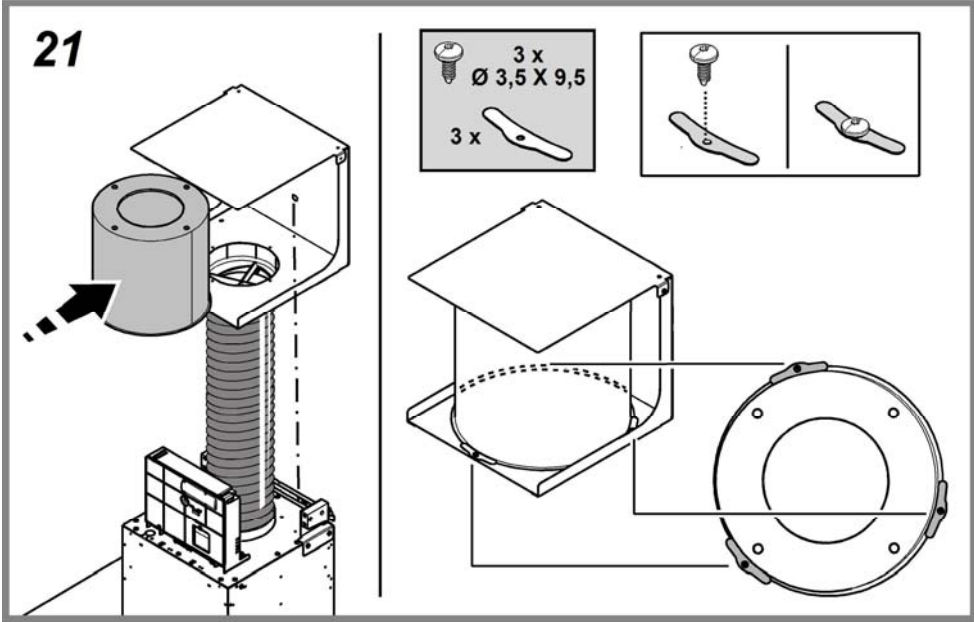
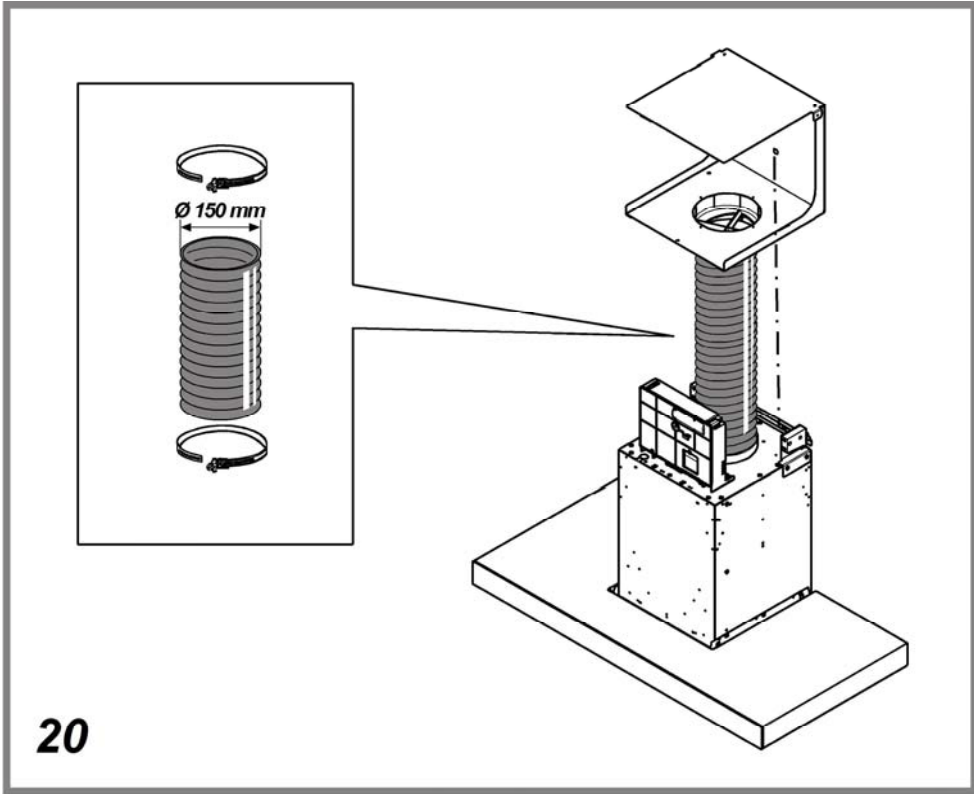


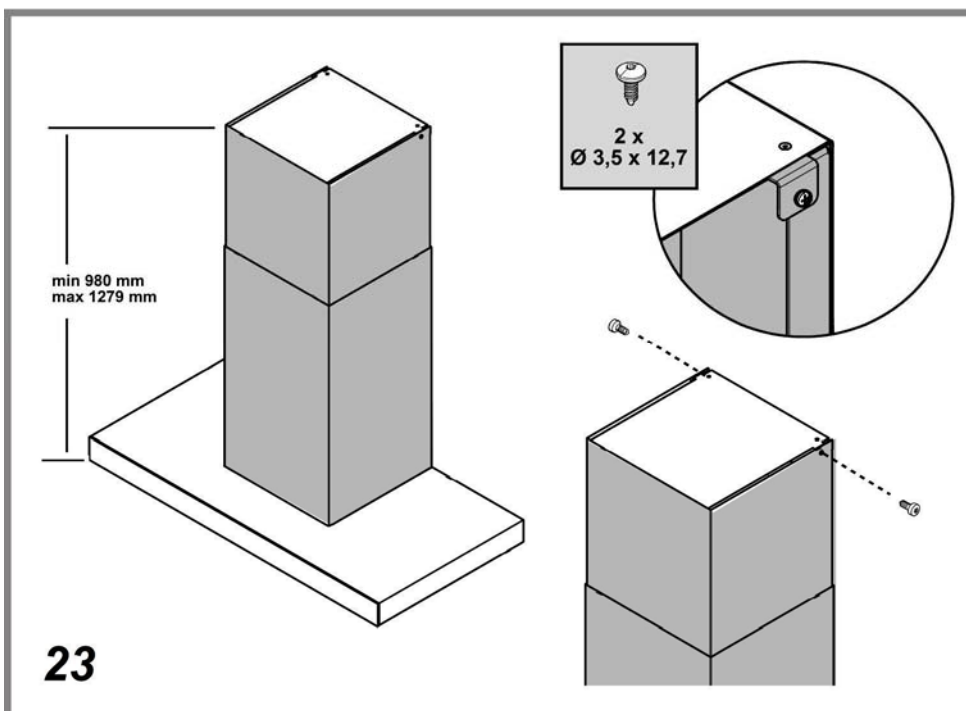
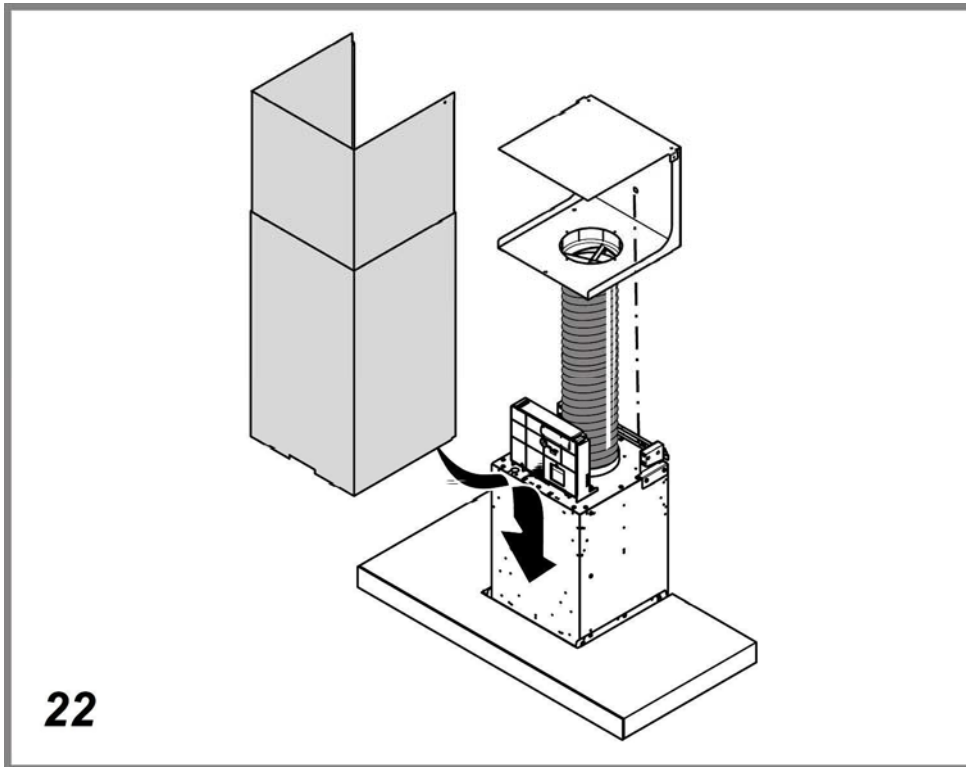


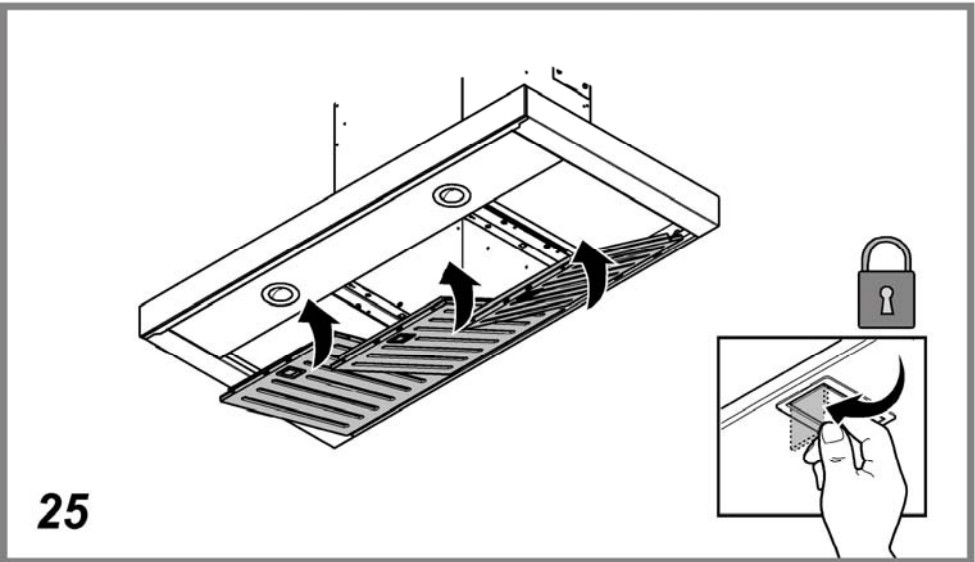
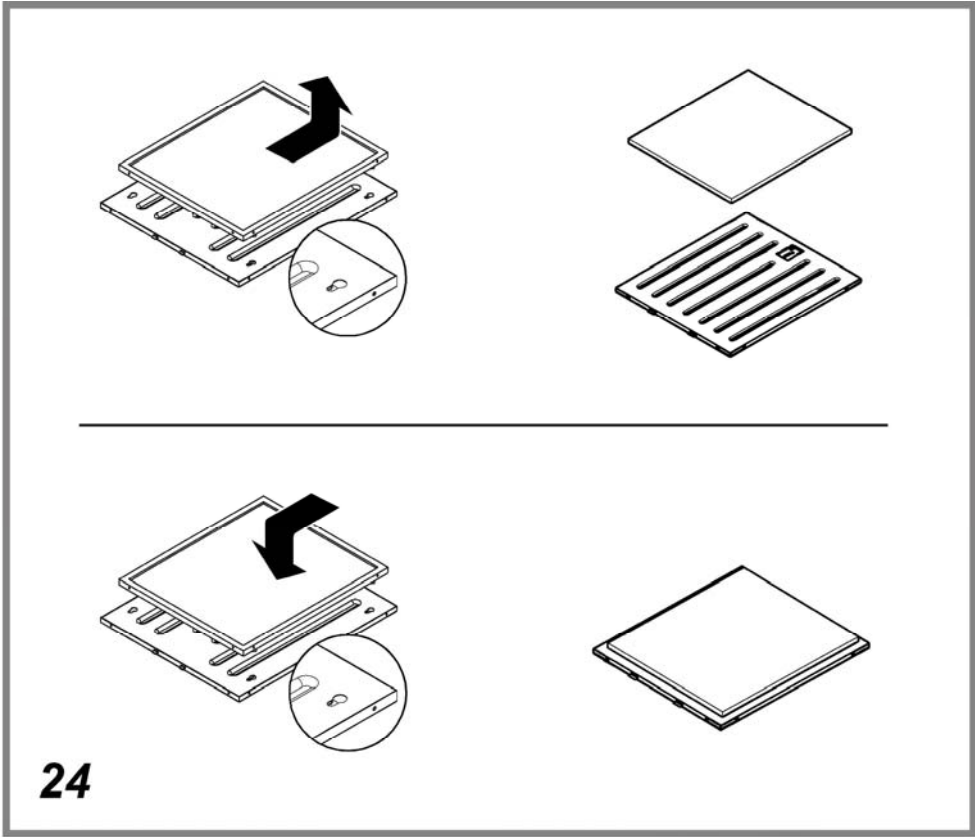












GENERAL SAFETY

Before any cleaning or maintenance operation, disconnect hood from the mains by removing the plug or disconnecting the mains electrical supply.

Always wear work gloves for all installation and maintenance operations.

This appliance can be used by children aged from 8 years and above and persons with reduced physical, sensory or mental capabilities or lack of experience and knowledge if they have been given supervision or instruction concerning use of the appliance in a safe way and understand the hazards involved.

Children shall not be allowed to tamper with the controls or play with the appliance.

Cleaning and user maintenance shall not be made by children without supervision.

The premises where the appliance is installed must be sufficiently ventilated, when the kitchen hood is used together with other gas combustion devices or other fuels.

The hood must be regularly cleaned on both the inside and outside (AT LEAST ONCE A MONTH).

This must be completed in accordance with the maintenance instructions provided. Failure to follow the instructions provided regarding the cleaning of the hood and filters will lead to the risk of fires.

Do not flambé under the range hood.

The use of exposed flames is detrimental to the filters and may cause a fire risk, and must therefore be avoided in all circumstances.

Any frying must be done with care in order to make sure that the oil does not overheat and ignite.

CAUTION: Accessible parts of the hood may become hot when used with cooking appliances.

For lamp replacement use only lamp type indicated in the Maintenance/Replacing lamps section of this manual.

WARNING! Do not connect the appliance to the mains until the installation is fully complete.

With regards to the technical and safety measures to be adopted for fume discharging it is important to closely follow the regulations provided by the local authorities.

The air must not be discharged into a flue that is used for exhausting fumes from appliance burning gas or other fuels.

Do not use or leave the hood without the lamp correctly mounted due to the possible risk of electric shocks.

Never use the hood without effectively mounted grids.

The hood must NEVER be used as a support surface unless specifically indicated.

Use only the fixing screws supplied with the product for installation or, if not supplied, purchase the correct screws type.

Use the correct length for the screws which are identified in the Installation Guide.

In case of doubt, consult an authorised service assistance centre or similar qualified person.

WARNING! Failure to install the screws or fixing device in accordance with these instructions may result in electrical hazards.

Do not use with a programmer, timer, separate remote control system or any other device that switches on automatically.

The hood can look different to that illustrated in the drawings in this booklet. The instructions for use, maintenance and installation, however, remain the same.

Closely follow the instructions set out in this manual. All responsibility, for any eventual inconveniences, damages or fires caused by not complying with the instructions in this manual, is declined. This appliance is intended to be used in household and similar application such as: - staff kitchen areas in shop, offices and other working environments; - farm houses; - by clients in hotels, motels and other residential type environments; - bed and breakfast type environments.

! It is important to conserve this booklet for consultation at any moment. In the case of sale, cession or move, make sure it is together with the product.

! Read the instructions carefully: there is important information about installation, use and safety.

! Do not carry out electrical or mechanical variations on the product or on the discharge conduits.

! Before proceeding with the installation of the appliance verify that there are no damaged all components. Otherwise contact your dealer and do not proceed with the installation.

The minimum distance between the supporting surface for the cooking equipment on the hob and the lowest part of the range hood must be not less than 50cm from electric cookers and 65cm from gas or mixed cookers.

If the instructions for installation for the gas hob specify a greater distance, this must be adhered to.

ELECTRICAL CONNECTION

The mains power supply must correspond to the rating indicated on the plate situated inside the hood. If provided with a plug connect the hood to a socket in compliance with current regulations and positioned in an accessible area, after installation. If it not fitted with a plug (direct mains connection) or if the plug is not located in an accessible area, after installation, apply a double pole switch in accordance with standards which assures the complete disconnection of the mains under conditions relating to over-current category III, in accordance with installation instructions.

Warning! Before re-connecting the hood circuit to the mains supply and checking the efficient function, always check that the mains cable is correctly assembled.

Replacing the power cable

The hood is provided with a special power cable ; if the cable is damaged, request a new one from Technical Service.

FILTERING OR DUCTING ?

- ! Your cooker hood is designed to be used only in filtering version
The filtering system provides a High Performance activated charcoal filter
Note: due to its technical characteristics, it is not possible to use the hood in the extraction mode
Important! To proceed with the installation it is necessary to use a tube of flexible type



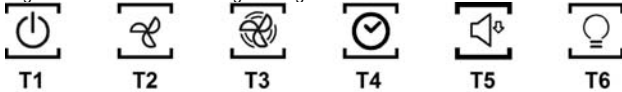
Filter version

The aspirated air will be degreased and deodorised before being fed back into the room.

In order to use the hood in this version, you have to install a system of additional filtering based on activated charcoal.

CONTROLS

The hood is fitted with a control panel with aspiration speed selection control and a light switch to control cooking area lights.



To select hood functions, simply touch the controls:

- T1. Button ON/OFF suction motor**
- T2. Button to select medium suction speed (power)**
- T3. Button to select high and intensive suction speed (power)**
 - Press once to select high suction speed (power) (LED L3 on);
 - Press again to select intensive suction speed (power) (LED L3 flashing).
 - Note:** The intensive suction (power) speed lasts for approximately 5 minutes, then the high suction speed (power) is set automatically.
- T4. Automatic shutdown button (Timer) and saturation indicator for charcoal filter:**
 - Automatic shutdown:**
 - Press this button to set the automatic shutdown of the active suction speed (power):
 - Silent suction speed (power): **10 minutes**
 - Medium suction speed (power): **20 minutes**
 - High suction speed (power): **15 minutes**
 - Saturation indicator charcoal filter**
 - When flashing, perform maintenance of the **charcoal filter**, if installed, then keep the button **T6** pressed for a long time to stop the flashing.
- T5. Button to select 'silent' suction speed (power) and saturation indicator for grease filter**
 - Note:** when flashing, perform maintenance of the **grease filter**; then keep the button **T6** pressed for a long time to stop the flashing.
- T6. Button ON/OFF lighting**

T3+T4+T5 flashing: automatic operation under high temperature conditions (see relevant paragraph)

Activation of the charcoal filter saturation indicator

This indicator is normally deactivated. To activate it, proceed as follows:

With the hood off, press and keep pressed simultaneously **T4** and **T5**: **T5** starts flashing first, then **T4** as well, to indicate successful activation.

Deactivation of charcoal filter saturation LED: repeat the operation described above; **T5** and **T4** start flashing, then only **T5** to indicate successful deactivation.

Automatic operation under high temperature conditions

The hood is equipped with a sensor which detects the temperature. When this becomes too high, the sensor automatically turns on the medium suction speed (power). The hood turns off as soon as the temperature detected by the sensor is lowered significantly.

MAINTENANCE

Cleaning

Clean using **ONLY** the cloth dampened with neutral liquid detergent. **DO NOT CLEAN WITH TOOLS OR INSTRUMENTS.** Do not use abrasive products. **DO NOT USE ALCOHOL!**

Maintenance of the anti-grease filters

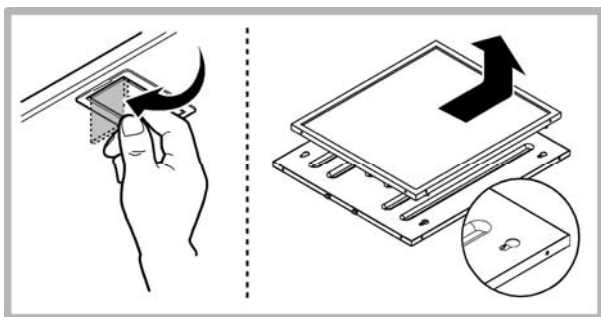
Traps cooking grease particles.

This must be cleaned once a month (or when the filter saturation indication system – if envisaged on the model in possession – indicates this necessity) using non aggressive detergents, either by hand or in the dishwasher, which must be set to a low temperature and a short cycle.

When washed in a dishwasher, the grease filter may discolour slightly, but this does not affect its filtering capacity.

This filter has better performance than a standard filter due to coupling between a metal filter made entirely of steel, and a filter with several layers of metal mesh.

To remove the grease filter, pull the spring release handle.



Maintenance of the charcoal filter

It absorbs unpleasant odours caused by cooking.

The saturation of the charcoal filter happens after a more or less prolonged use, depending on the type of cooking and the regularity of cleaning the grease filter.

In any case, you need to replace the cartridge at least every 5 years.

It **CANNOT** be washed or regenerated

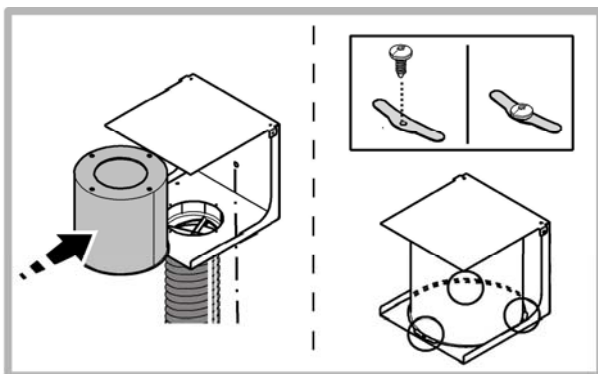
To obtain excellent suction performance, the filter is larger than the standard filters and is installed on a support above the hood.

Installation: Insert the cylindrical filter inside the support

fix the filter by means of the supplied screws and plates

Note: the hollow part of the filter should be facing the hood

Dismantling: proceed in reverse order



Replacing lamps

The hood is equipped with a lighting system based on LED technology.


The LEDs guarantee an optimum lighting, a duration up to 10 times as long as the traditional lamps and allow to save 90% electrical energy.

To purchase spare LEDs, contact the technical assistance service.

DISPOSAL

This appliance is marked according to the European directive 2012/19/EC on Waste Electrical and Electronic Equipment (WEEE). By ensuring this product is disposed of correctly, you will help prevent potential negative consequences for the environment and human health, which could otherwise be caused by inappropriate waste handling of this product.



The symbol  on the product, or on the documents accompanying the product, indicates that this appliance may not be treated as household waste. Instead it should be taken to the appropriate collection point for the recycling of electrical and electronic equipment. Disposal must be carried out in accordance with local environmental regulations for waste disposal.

For further detailed information regarding the process, collection and recycling of this product, please contact the appropriate department of your local authorities or the local department for household waste or the shop where you purchased this product.

Appliance designed, tested and manufactured according to:

- Safety: EN/IEC 60335-1; EN/IEC 60335-2-31, EN/IEC 62233.
- Performance: EN/IEC 61591; ISO 5167-1; ISO 5167-3; ISO 5168; EN/IEC 60704-1; EN/IEC 60704-2-13; EN/IEC 60704-3; ISO 3741; EN 50564; IEC 62301.
- EMC: EN 55014-1; CISPR 14-1; EN 55014-2; CISPR 14-2; EN/IEC 61000-3-2; EN/IEC 61000-3-3. Suggestions for a correct use in order to reduce the environmental impact: Switch ON the hood at minimum speed when you start cooking and kept it running for few minutes after cooking is finished. Increase the speed only in case of large amount of smoke and vapour and use boost speed(s) only in extreme situations. Replace the charcoal filter(s) when necessary to maintain a good odour reduction efficiency. Clean the grease filter(s) when necessary to maintain a good grease filter efficiency. Use the maximum diameter of the ducting system indicated in this manual to optimize efficiency and minimize noise.

MALFUNCTIONS

If something appears not to be working properly, do the following simple checks before calling Technical Service:

- If the hood is not working:
Check that:
 - The power has not been disconnected.
 - A speed has been selected.
- If the hood performs inefficiently:
Check that:
 - The motor speed selected is sufficient for the amount of smoke and vapours released.
 - The kitchen is sufficiently ventilated to allow air intake.
 - The charcoal filter is not worn (hood in filtering version).
- If the hood has turned off during normal functioning:
Check that:
 - The power has not been disconnected.
 - the omnipolar disconnection device has not tripped.

If the hood fails to operate correctly, briefly disconnect it from the mains power supply for almost 5 sec. by pulling out the plug. Then plug it in again and try once more before contacting the Technical Assistance Service.

TECHNICAL DATA

Model	Height (cm)	Width (cm)	depth (cm)	Ø of exhaust tube (cm)
PHBS 9.8C LTD K	980-1279	89,8	45,48	15

Please check the plate in order to verify the total absorption and the light absorption.

The hood is equipped with a lighting system based on LED technology. For replacement, contact the technical service.



Components not provided with the product

