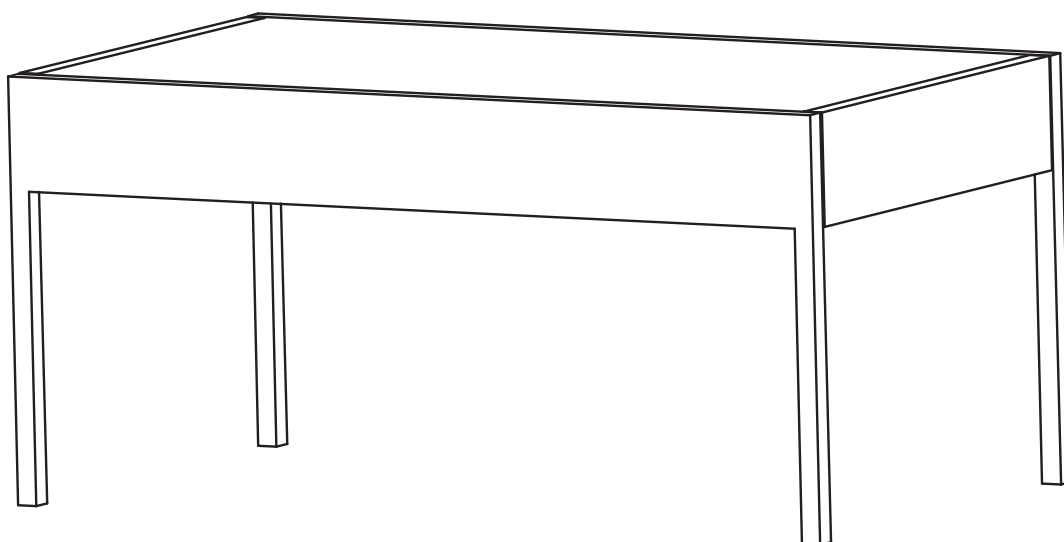


Gv Lucia 4 Seater Sofa-CoffeeTable

Assembly Instructions - Please keep for future reference

606/8307



Dimensions

Width - 45cm
Depth - 80cm
Height - 38cm

Important – Please read these instructions fully before starting assembly

If you need help or have damaged or missing parts, call the Customer Helpline: 03456 400800

For further assistance please visit <http://www.argos-support.co.uk/>



Safety and Care Advice

Important Please read these instructions fully before starting assembly

- This product is manufactured from toughened safety glass. In the unlikely event that the glass fails it will break in to a large number of small fragments that may be spread over a wide area. This is a feature of toughened glass, designed to remove the risk of injury from glass breaking into large shards.
- If the glass is chipped or broken, stop using the product and consult the manufacturer or supplier.
- Check you have all the

components and tools listed on page 2.

- Remove all fittings from the plastic bags and separate them into their groups.
- Keep children and animals away from the work area, small parts could choke if swallowed.
- Make sure you have enough space to layout the parts before starting.
- Do not stand or put weight on the parts during assembly, this could cause damage.

- Assemble on a soft level surface to avoid damaging the unit or your floor.
- Dispose of all packing carefully and responsibly.
- Do not sit or stand upon horizontal glass surface.
- Do not place very hot or very cold items on the glass unless adequately thick tablemats are used to prevent such items from coming into contact with the glass.
- **Warning:** The unit weights approximately 7.4kgs.

Please lift with care.

Care and maintenance

- Wash glass with mild soap and water, rinse thoroughly, and dry glass completely.

- We recommend the use of furniture covers when not in use.

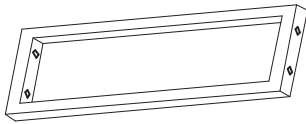
- Do not use the glass as chopping surface. Do not strike the glass with hard or pointed items.

- In order to prolong the life and beauty of your table, we recommend it be stored in a dry and protected area during off season periods.

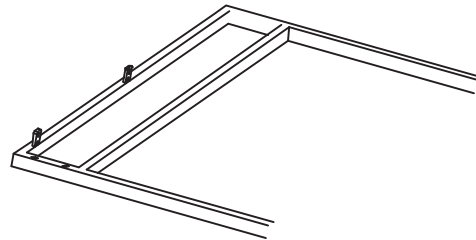
- Do not use washing powders or any abrasive substances which may scratch the surface.

Components - Parts

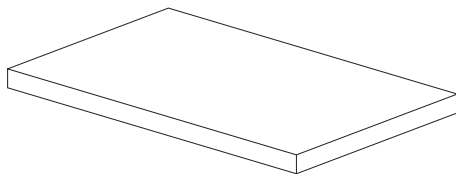
Please check you have all the parts listed below



1 Side panel x 2



2 Leg x 2







3 Glass x 1

Components - Fittings

Please check you have all the fittings listed below

Note: The quantities below are the correct amount to complete the assembly. In some cases more fittings may be supplied than are required.

<p>A  35mm Screw x 8</p>	<p>B  Metal washer x 8</p>	<p>C  Plastic cap x 8</p>
<p>D  Allen key x 1</p>		

Assembly Instructions

Step 1

Assembly frame

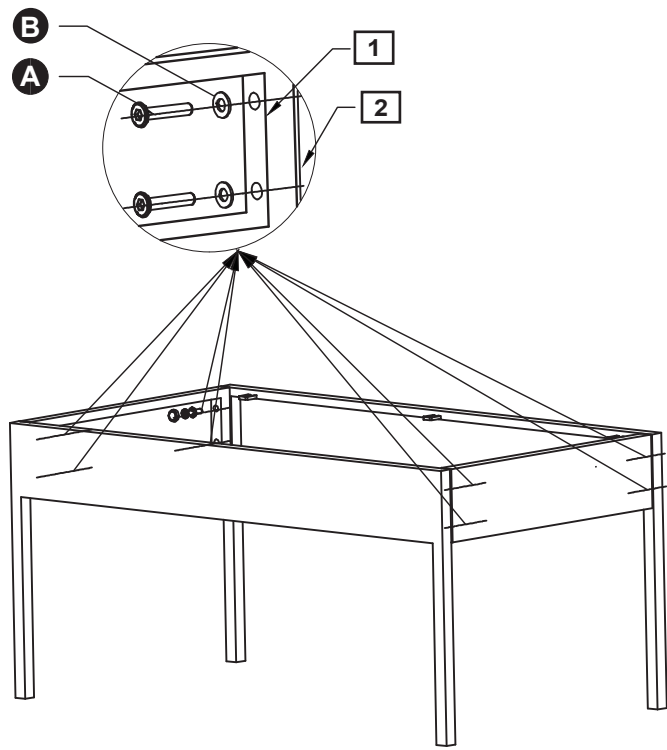
Suggest to complete this product assembly by two person.

Use screws **A** , metal washers **B** , to fix leg **2** to side panel **1** .

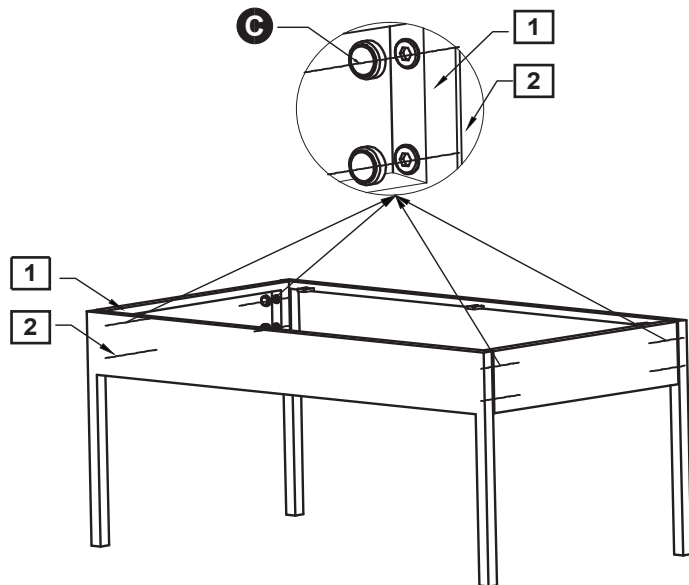


Important:
Do not fully tighten all screws until assembly is complete.

Step1:



Step2:

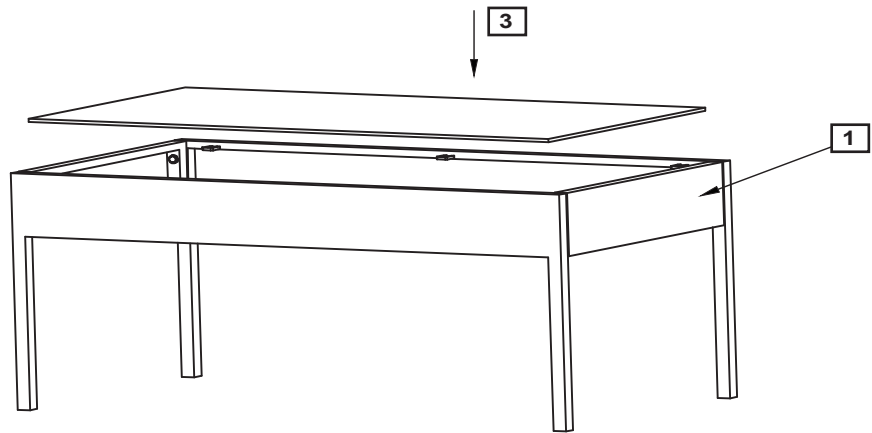


Assembly Instructions

Step 3

Put on the glass **3**.

Step3:



Assembly is complete.

If you need help or have damaged or missing parts, call the **Customer Helpline: 03456 400800**

For further assistance please visit <http://www.argos-support.co.uk/>

Argos Limited

489-499 Avebury Boulevard Saxon Gate West Central Milton Keynes Bucks, MK9 2NW