

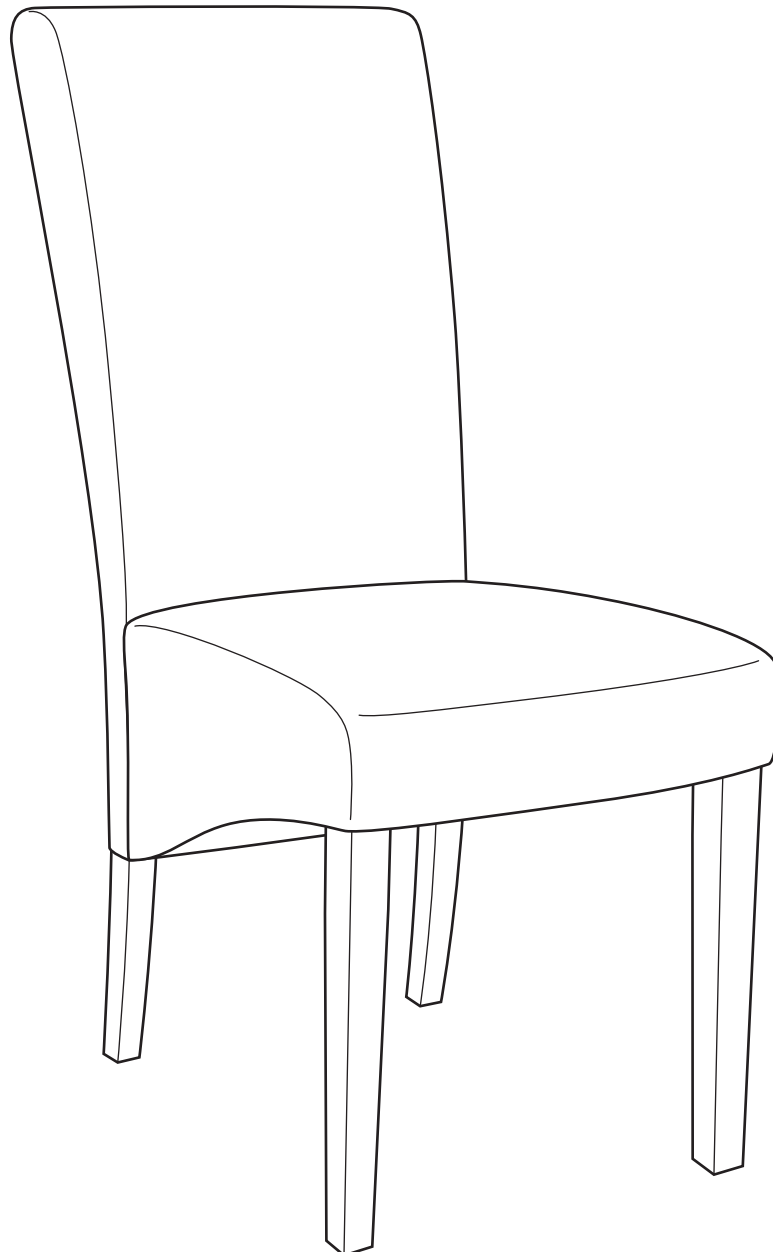
# Dining Chair

Assembly Instructions - Please keep for future reference

603/1035

603/1059

603/1042



## Dimensions

Width - 44cm

Depth - 54cm

Height - 95cm

**Important - Please read these instructions fully before starting assembly**

If you need help or have damaged or missing parts, call the **Customer Helpline: 08456 400800**



# Safety and Care Advice

## Important - Please read these instructions fully before starting assembly

- Assemble this product on a flat surface.
- Assemble all parts loosely before tightening any bolts.
- Do not discard any of the packaging until you have checked that you have all the parts and the pack of fittings.

- Discard all extra fittings and keep fittings out of reach of children.
- Unit weight: 5.4kgs.
- Maximum safe weight of user: 110kgs.
- Retain Assembly Instructions for future reference.



- We do not recommend the use of power drill/drivers **for inserting screws**, as this could damage the unit. Only use hand screwdrivers.
- Dispose of all packaging carefully and responsibly.

## Warnings

- This product should only be used on firm, level ground.
- Make sure the legs remain in contact with the ground.
- Do not stand on the product.

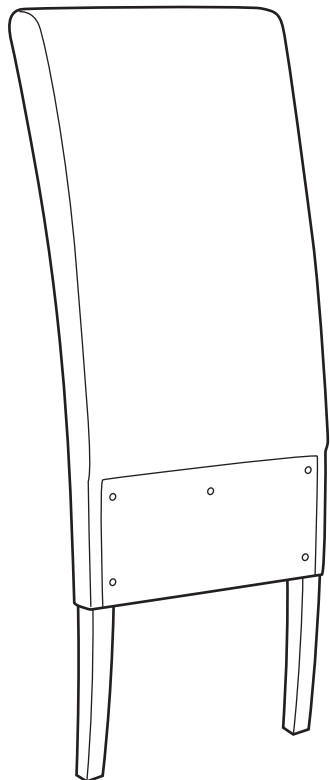
## Care and maintenance

- Please clean the unit surface using either damp (not wet) cloth and a mild domestic soap solution or by using an appropriate polish.
- Do not use any abrasive materials when cleaning.
- From time to time check that there are no loose bolts on this unit.

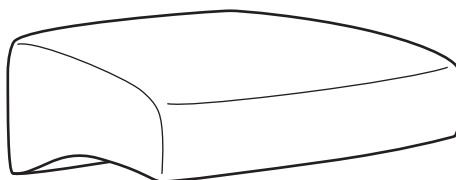
# Components - Parts

If you have damaged or missing components, call the **Customer Helpline: 08456 400800**

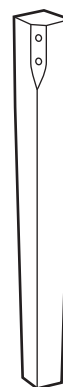
Please check you have all the parts listed below



**1** Backrest  
(36 x 10 x 95cm)



**2** Seat  
(43.5 x 41.5 x 17.5cm)

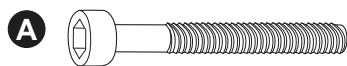


**3** Leg x 2  
(43 x 3 x 3cm)

# Components - Fittings

Please check you have all the fittings listed below

**Note:** The quantities below are the correct amount to complete the assembly. In some cases more fittings may be supplied than are required.



M8 x 60mm Bolt x 9



Spring washer x 9

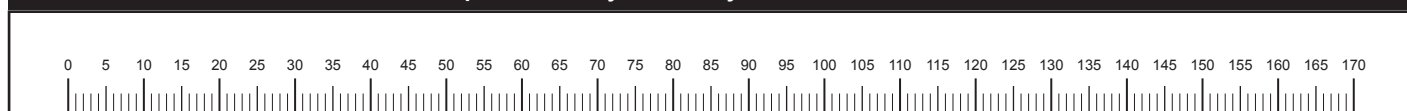


Washer x 9



Allen key x 1

**Ruler** - Use this ruler to help correctly identify the screws



# Assembly Instructions

## Step 1

### Attaching legs

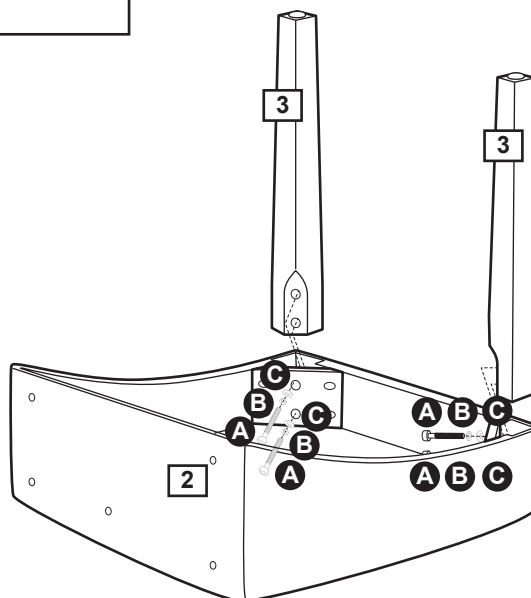
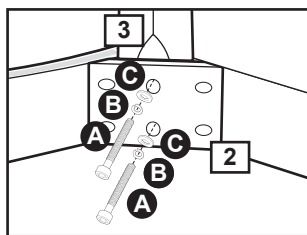
Place the seat **2** upside down on a flat protected surface.

Insert the legs **3** into the holes of the seat as shown and fix using bolts **A**, spring washer **B** and washers **C**.



**Important:**

Fasten bolts using allen key **D** but do not fully tighten at this stage.



## Step 2

### Attaching backrest

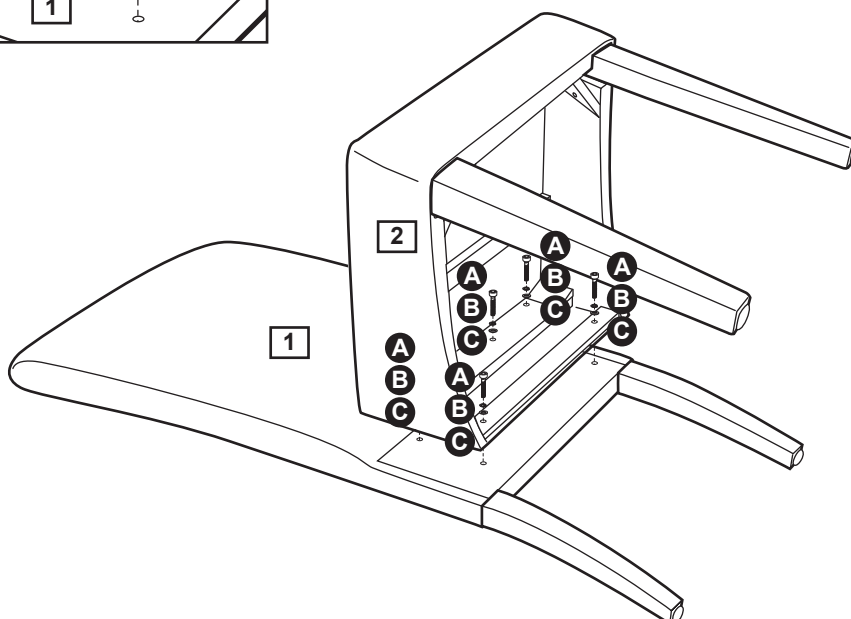
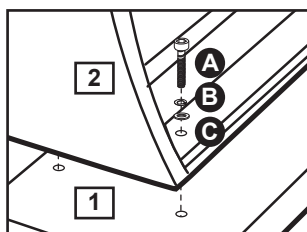
Place the backrest on a flat protected surface.

Position the seat **2** on the backrest **1** as shown and fix using bolts **A**, spring washers **B** and washers **C**.



**Important:**

Fasten bolts using allen key **D** but do not fully tighten at this stage.



# Assembly Instructions

## Step 3

### Aligning & securing the legs

Carefully turn the chair upright and place on a flat surface.

**a:** Tighten all bolts using allen key **D**.

**Note:** This step is essential to prevent the chair from wobbling due to uneven legs.

**b:** Carefully sit on the chair and make adjustments to ensure the legs are flat even on the floor.

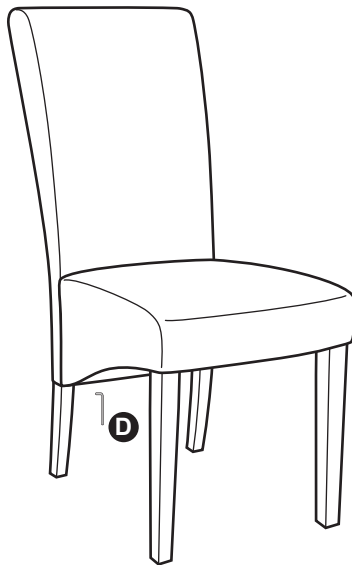
**c:** After the sitting test, re-tighten bolts again if any adjustment is needed.

**Note:** It is highly recommended to re-tighten all bolts after using the chair for 7 days.

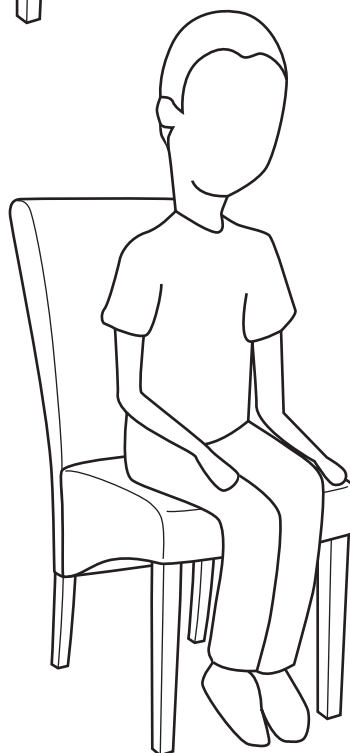
**Note:** Keep allen key to re-tighten bolts when required.

**Assembly is complete.**

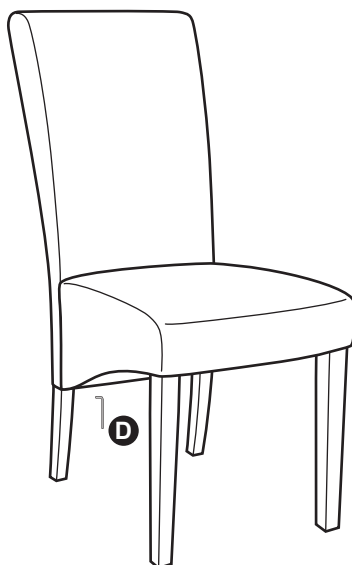
**a:**



**b:**



**c:**



If you need help or have damaged or missing parts, call the **Customer Helpline: 08456 400800**

# Dining Chair

Assembly Instructions - Please keep for future reference

603/7792

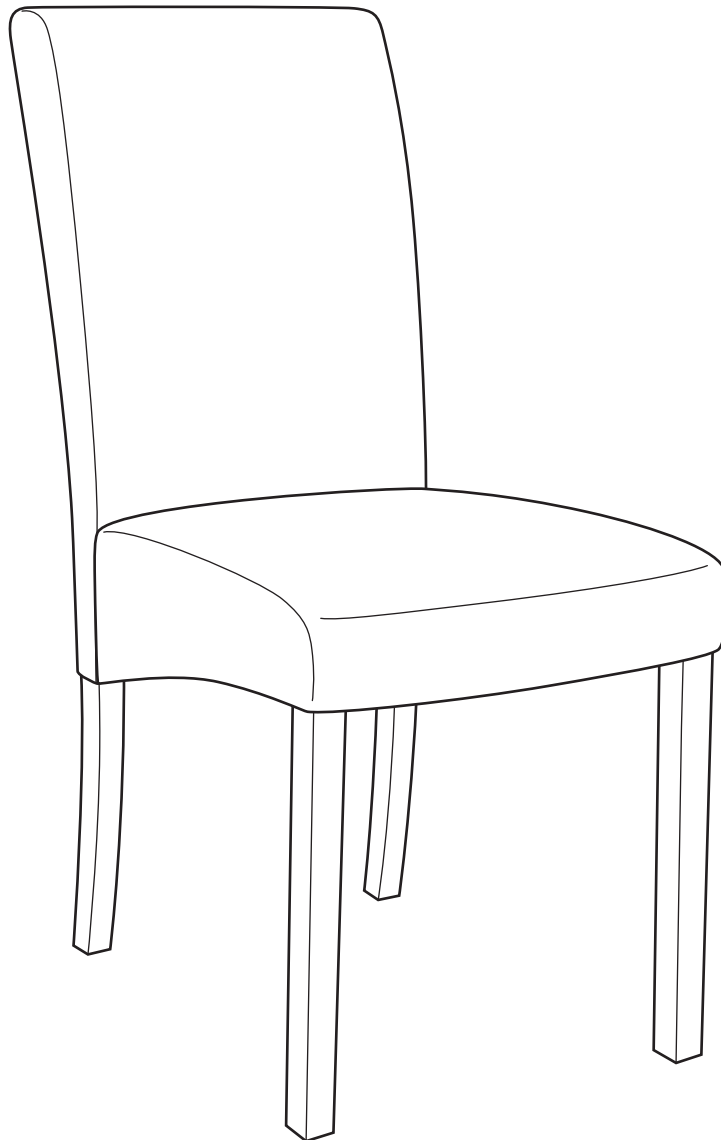
603/7826

603/1035

603/1059

603/1042

603/7802



## Dimensions

Width - 43.5cm

Depth - 56cm

Height - 95cm

**Important - Please read these instructions fully before starting assembly**

If you need help or have damaged or missing parts, call the **Customer Helpline: 08456 400800**



# Safety and Care Advice

## Important - Please read these instructions fully before starting assembly

- Assemble this product on a flat surface.
- Assemble all parts loosely before tightening any bolts.
- Do not discard any of the packaging until you have checked that you have all the parts and the pack of fittings.

- Discard all extra fittings and keep fittings out of reach of children.
- Unit weight: 5.2kgs.
- Maximum safe weight of user: 110kgs.
- Retain Assembly Instructions for future reference.



- We do not recommend the use of power drill/drivers **for inserting screws**, as this could damage the unit. Only use hand screwdrivers.
- Dispose of all packaging carefully and responsibly.

## Warnings

- This product should only be used on firm, level ground.
- Make sure the legs remain in contact with the ground.
- Do not stand on the product.

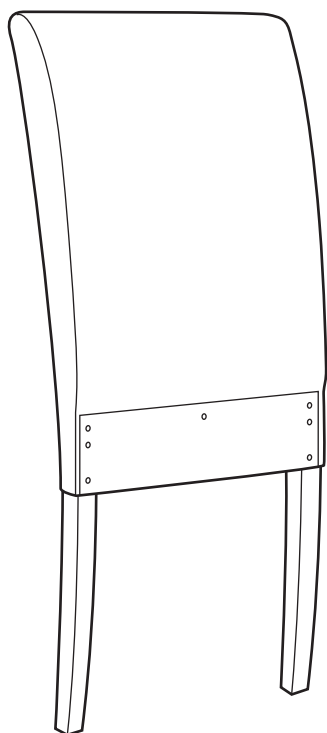
## Care and maintenance

- Please clean the product using either damp (not wet) cloth and a mild domestic soap solution or by using an appropriate polish.
- Do not use any abrasive materials when cleaning.
- From time to time check that there are no loose bolts on this unit.

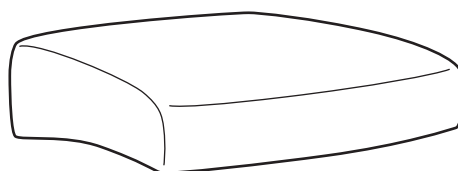
# Components - Parts

If you have damaged or missing components, call the **Customer Helpline: 08456 400800**

Please check you have all the parts listed below



**1** Backrest  
(36 x 10 x 95cm)



**2** Seat  
(43.5 x 41.5 x 17cm)

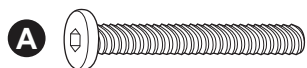


**3** Leg x 2  
(3 x 3 x 43cm)

# Components - Fittings

Please check you have all the fittings listed below

**Note:** The quantities below are the correct amount to complete the assembly. In some cases more fittings may be supplied than are required.



M6 x 50mm Bolt x 11



Spring washer x 11

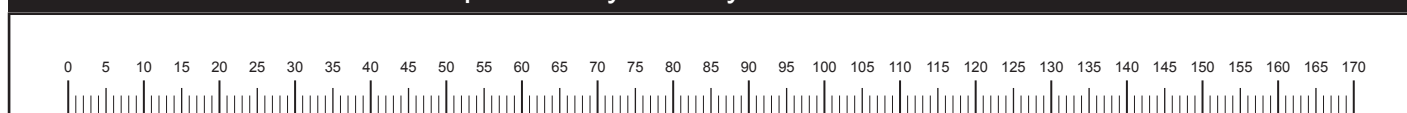


Flat washer x 11



Allen key x 1

**Ruler** - Use this ruler to help correctly identify the screws





# Assembly Instructions

## Step 1

### Attaching legs

Place the seat **2** upside down on a flat protected surface.

Insert the legs **3** into the holes of the seat as shown and fix using bolts **A**, spring washers **B** and washers **C**.

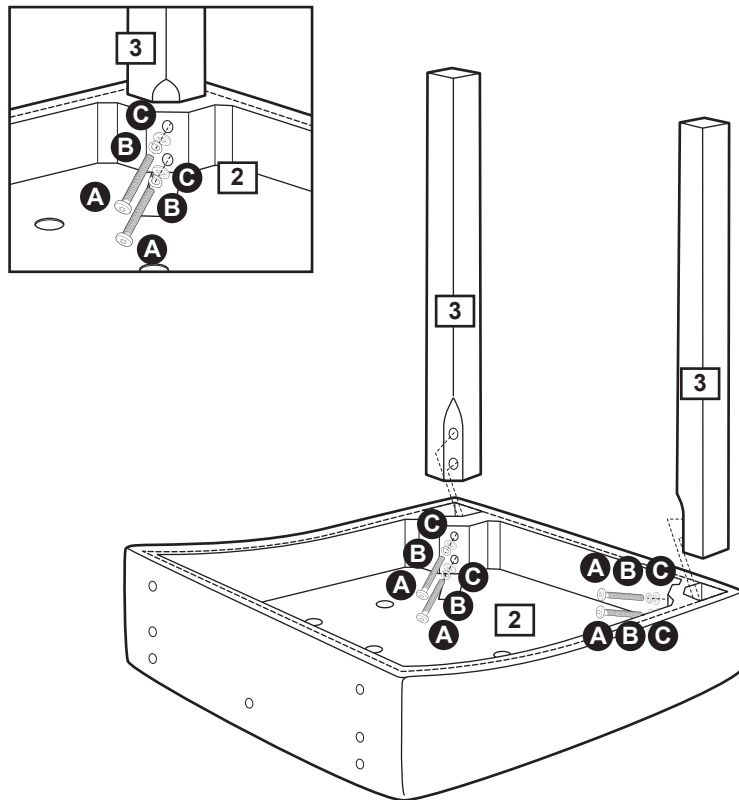


**Important:**

Fasten bolts using allen key **D** but do not fully tighten at this stage.

**Note:**

Use oval head of allen key **D** on tight angles.



## Step 2

### Attaching backrest

Place the backrest on a flat protected surface.

Position the seat **2** on the backrest **1** as shown and fix using bolts **A**, spring washers **B** and washers **C**.

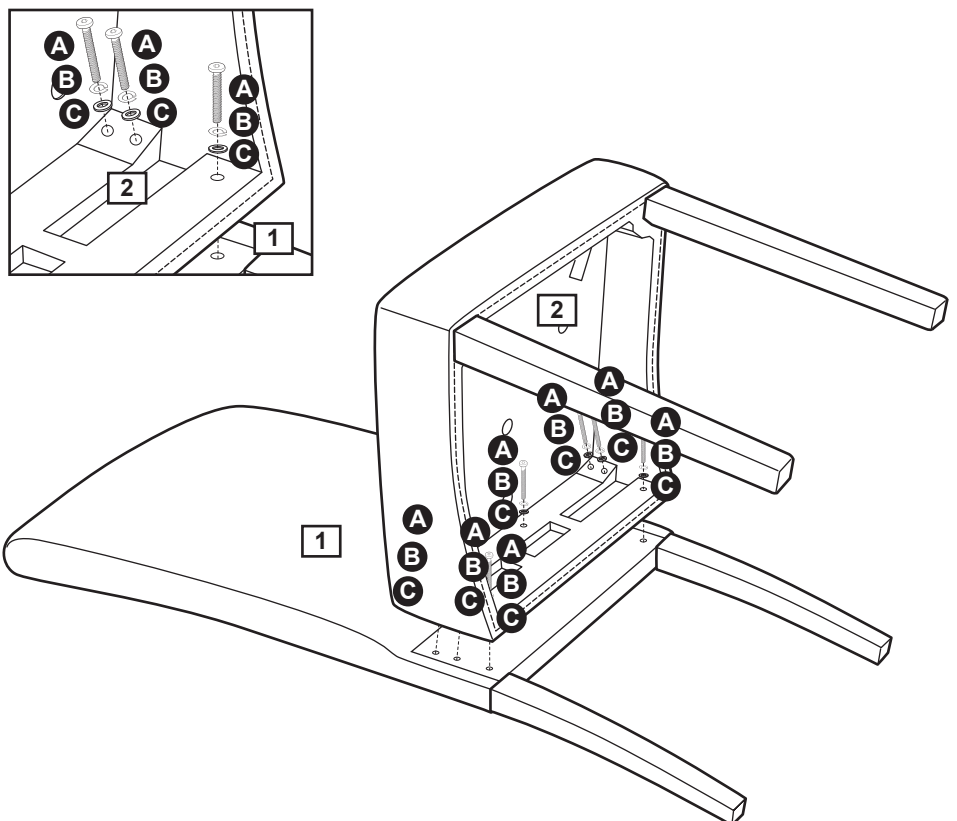


**Important:**

Fasten bolts using allen key **D** but do not fully tighten at this stage.

**Note:**

Use oval head of allen key **D** on tight angles.



# Assembly Instructions

## Step 3

### Aligning & securing the legs

Carefully turn the chair upright and place on a flat surface.

**a:** Tighten all bolts using allen key **D**.

**Note:** Use oval head of allen key **D** on tight angles.

**Note:** This step is essential to prevent the chair from wobbling due to uneven legs.

**b:** Carefully sit on the chair and make adjustments to ensure the legs are flat even on the floor.

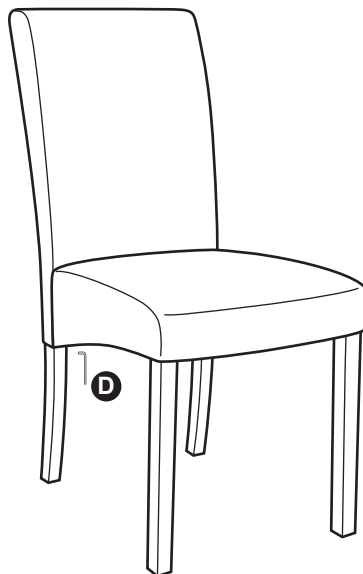
**c:** After the sitting test, re-tighten bolts again if any adjustment is needed.

**Note:** It is highly recommended to re-tighten all bolts after using the chair for 7 days.

**Note:** Keep allen key to re-tighten bolts when required.

**Assembly is complete.**

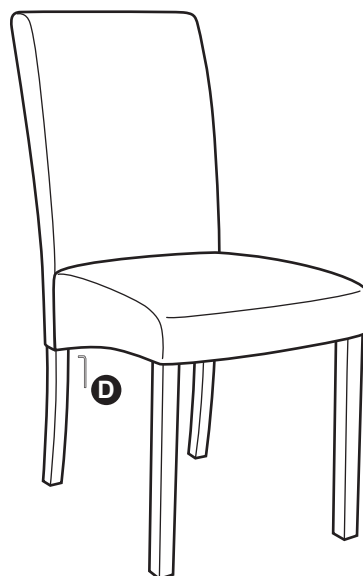
**a:**



**b:**



**c:**



If you need help or have damaged or missing parts, call the **Customer Helpline: 08456 400800**

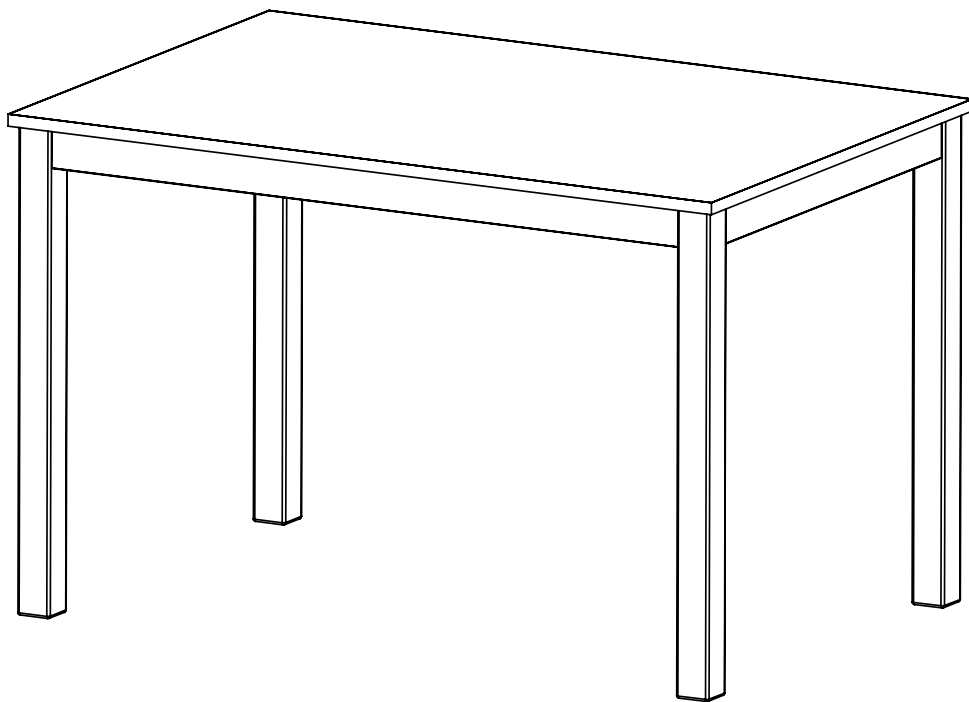
# Melamine 120cm Table

Assembly Instructions - Please keep for future reference

633/1333

633/1412

633/1326



## Dimensions

Width - 120cm  
Depth - 80cm  
Height - 75cm

**Important – Please read these instructions fully before starting assembly**

If you need help or have damaged or missing parts, call the **Customer Helpline: 0845 640 0800**



# Safety and Care Advice

**Important – Please read these instructions fully before starting assembly**

- Check you have all the components and tools listed on pages 2 and 3.
- Remove all fittings from the plastic bags and separate them into their groups.
- Keep children and animals away from the work area, small parts could choke if swallowed.
- Make sure you have enough space to layout the parts before starting.

- Do not stand or put weight on the product during assembly, this could cause damage.
- Assemble the item as close to its final position (in the same room) as possible.
- Assemble on a soft level surface to avoid damaging the unit or your floor.
- Parts of the assembly will be easier with 2 people.



- We do not recommend the use of power drill/drivers for inserting screws, as this could damage the unit. Only use hand screwdrivers.
- Dispose of all packaging carefully and responsibly.

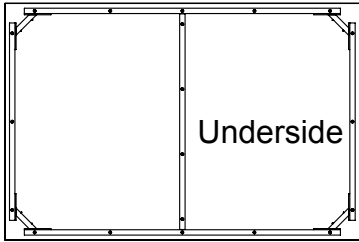
## Care and maintenance

- Only clean using a damp cloth and mild detergent, do not use bleach or abrasive cleaners.
- From time to time check that there are no loose screws on this unit.
- This product should not be discarded with household waste. Take to your local authority waste disposal centre.

# Components - Panels

If you have damaged or missing components, call the **Customer Helpline: 0845 640 0800**

Please check you have all the panels listed below



1 Top (120 x 80cm)


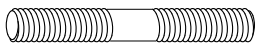



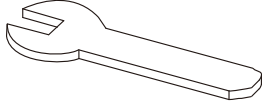


2 Leg x 4 (73.2 x 5.5cm)

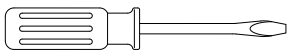
# Components - Fittings

Please check you have all the fittings listed below

Note: The quantities below are the correct amount to complete the assembly. In some cases more fittings may be supplied than are required.

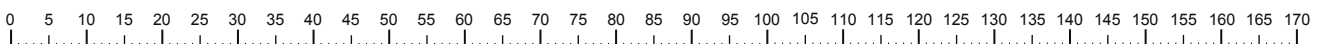
<p><b>A</b> </p> <p>Bolt Insert x 4 (M12 x 60mm)</p>	<p><b>B</b> </p> <p>Bolt x 8 (M8 x 80mm)</p>	<p><b>C</b> </p> <p>Washer x 8</p>
<p><b>D</b> </p> <p>Spring Washer x 8</p>	<p><b>E</b> </p> <p>Nut x 8</p>	<p><b>F</b> </p> <p>Wrench x 1</p>

## Tools required



Flatblade Screwdriver

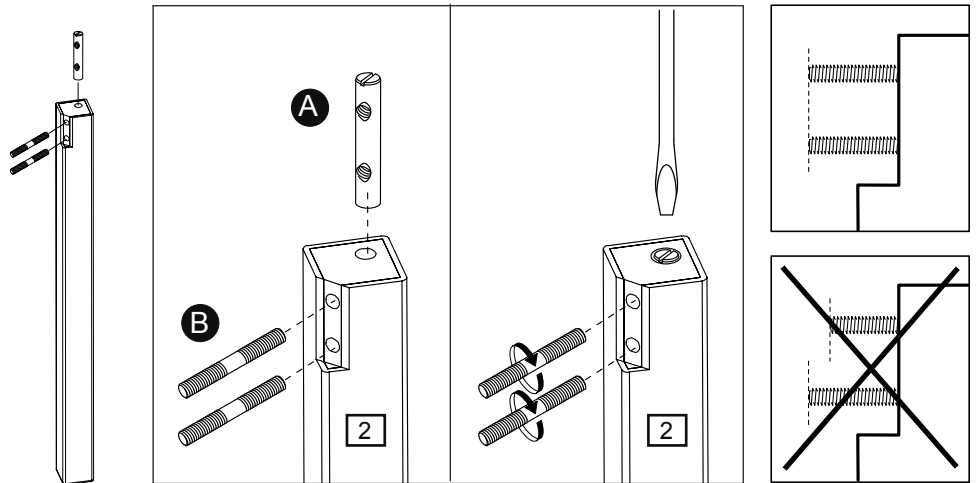
Ruler - Use this ruler to help correctly identify the screws



# Assembly Instructions

## Step 1

Insert bolt inserts **A** into legs **2**. Use a flat-blade screwdriver to align the bolt holes of **A** and the table leg holes. Screw bolts **B** in, making sure the lengths are the same.



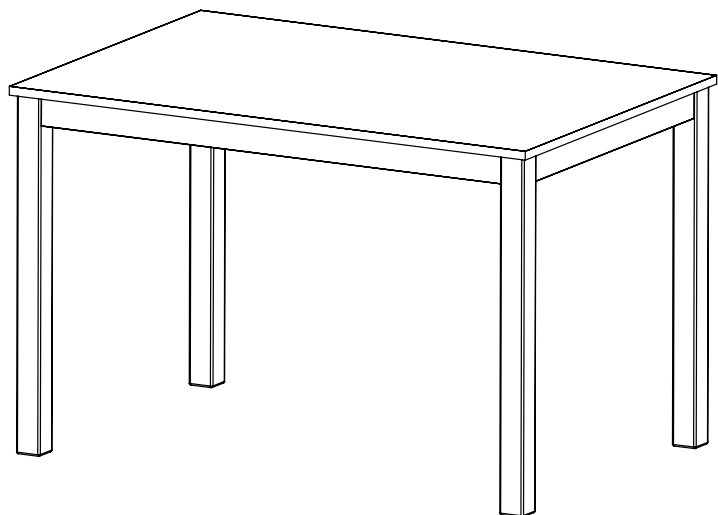
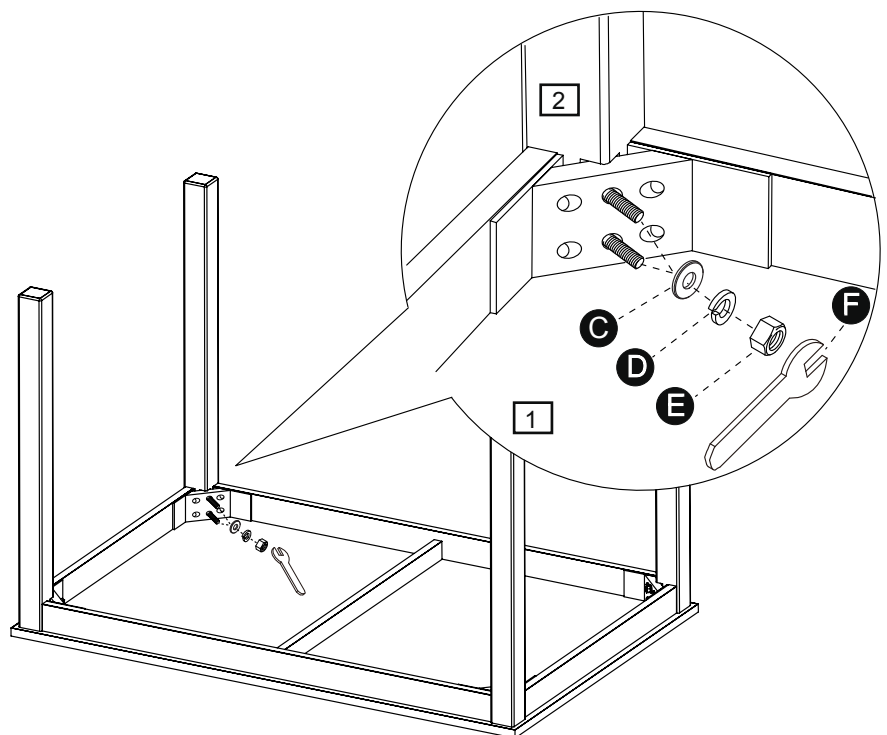
## Step 2

### Attaching legs

Attach the four legs **2** to table top **1** using flat washers **C**, spring washers **D** and nuts **E**. Tighten the nuts **E** with wrench **F**.

Turn the table over carefully.

**Assembly is complete.**



If you need help or have damaged or missing parts, call the **Customer Helpline: 0845 640 0800**  
Argos Ltd MK9 2NW