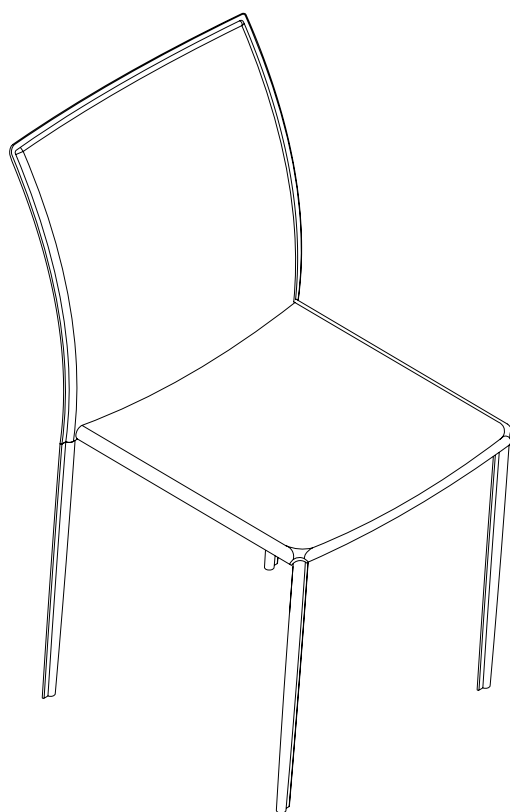


Vespa Dining Chairs

Assembly Instructions - Please keep for future reference

603/6717

hygena



Dimensions

Width - 42.5cm

Depth - 53cm

Height - 86cm

Important - Please read these instructions fully before starting assembly

If you need help or have damaged or missing parts, call the **Customer Helpline: 08456 400800**



Safety and Care Advice

Important - Please read these instructions fully before starting assembly

- Check you have all the components and tools listed on pages 2 and 3.
- Remove all fittings from the plastic bags and separate them into their groups.
- Keep children and animals away from the work area, small parts could choke if swallowed.
- Assemble the item as close to its final position (in the same room) as possible.
- Make sure you have enough space to layout the parts before starting.
- Dispose of all packaging carefully and responsibly.
- Keep these instructions for further use.
- Assemble on a soft level surface to avoid damaging the unit or your floor.
- To ensure an easier assembly, we strongly advise that all fittings are only finger tightened during initial assembly. Only upon completion of the assembly should all fixing points be fully tightened.

Cleaning Guidance

- Minor stains and spillages should be removed immediately from cushion fabric, by wiping over lightly with a damp cloth and mild soapy water.
- Light marking can also be removed using this method.
- To remove more stubborn stains or marking, a good quality proprietary domestic fabric cleaner can be used, although it should first be tested on an inconspicuous area of the fabric.

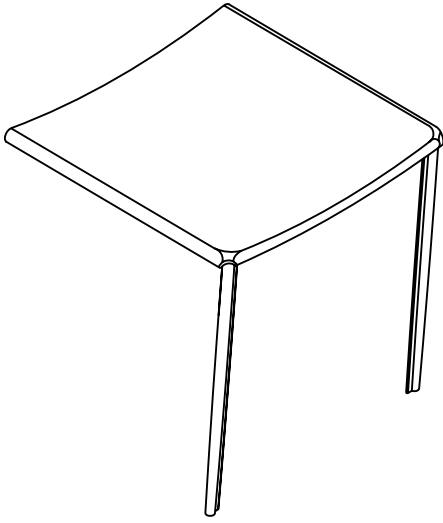
Care and maintenance

- From time to time check that there are no loose screws on this unit.
- This product should not be discarded with household waste. Take to your local authority waste disposal centre.

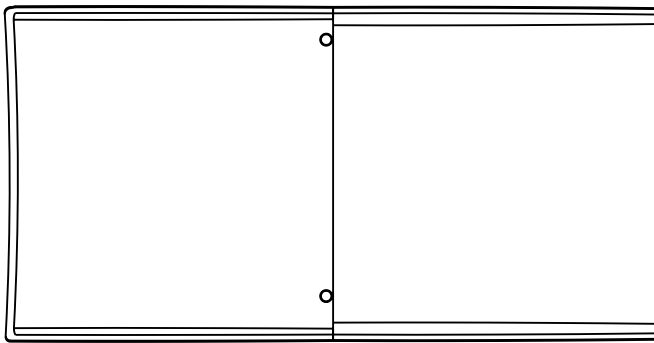
Components - Parts

If you have damaged or missing components,
call the **Customer Helpline: 08456 400800**

Please check you have all the parts listed below



1 Seat frame x 4



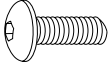


2 Back rest x 4

Components - Fittings

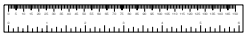
If you have damaged or missing components, call the **Customer Helpline: 08456 400800**

Please check you have all the fittings listed below

Note: The quantities below are the correct amount to complete the assembly. In some cases more fittings may be supplied than are required.

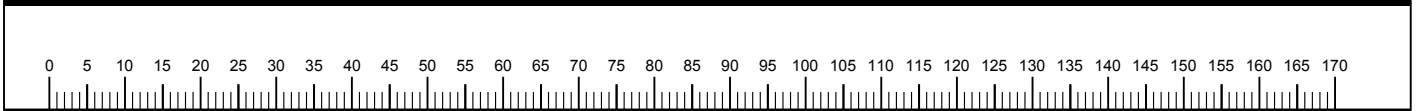
<p>A</p>  <p>13mm Allen screw x 16</p>	<p>B</p>  <p>Spring washer x 16</p>	<p>C</p>  <p>Allen key x 1</p>
--	---	--

Tools required



Ruler/tape
measure

Ruler - Use this ruler to help correctly identify the screws



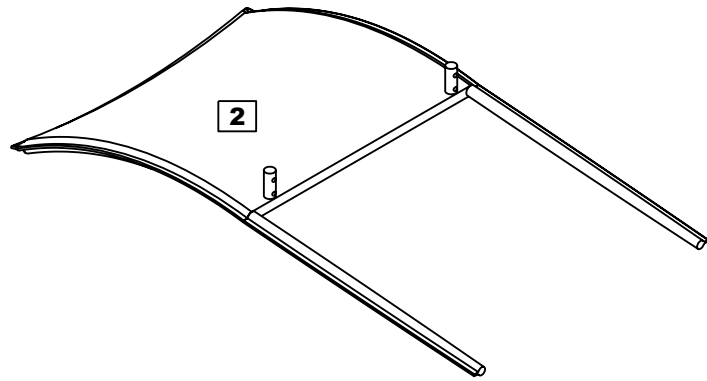
Assembly Instructions

Step 1

Attaching seat pad

Lay back rest **2** flat on to the floor.

Note: Ensure the fixing brackets are facing upwards as shown.



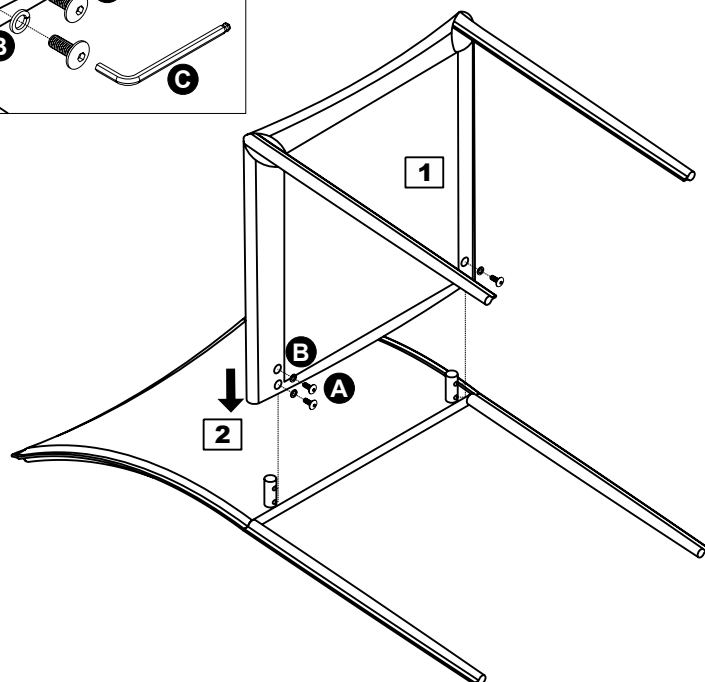
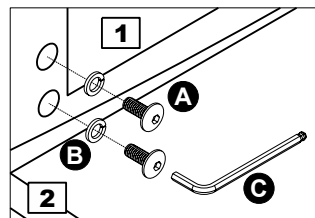
Step 2

Attaching seat pad

Locate seat frame **1** into position and secure using fixings **A** and **B**.

Stand the Chair upright.

Repeat for all 4 chairs.



Assembly is complete.

If you need help or have damaged or missing parts, call the **Customer Helpline: 08456 400800**
Home Retail Group, 489-499 Avebury Boulevard, Saxon Gate West, Central Milton Keynes, MK9 2NW