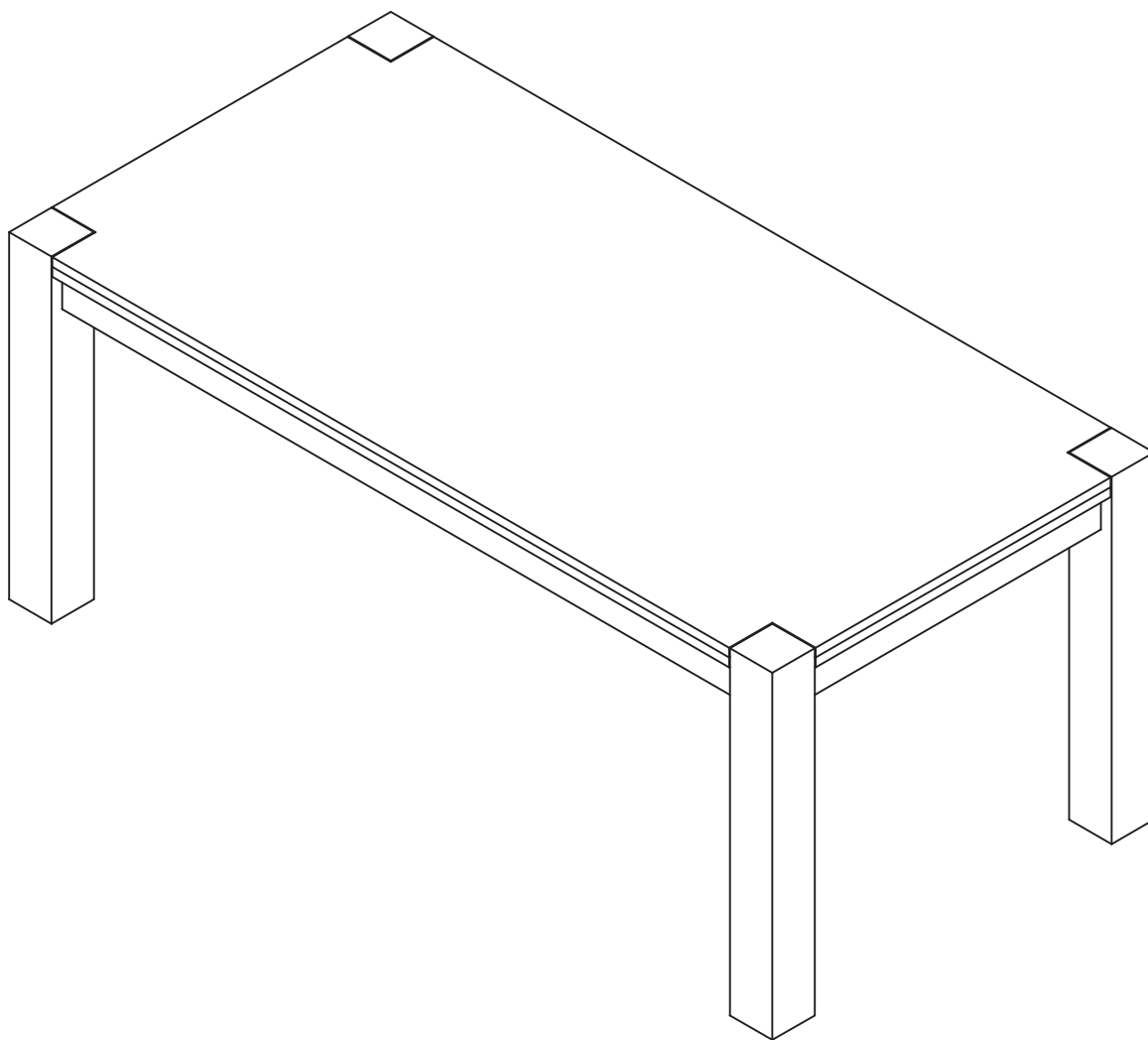


# Woburn Dining Table

Assembly Instructions - Please keep for future reference

186/3215



## Dimensions

Length - 180cm

Width - 90cm

Height - 75cm

**Important** – Please read these instructions fully before starting assembly

If you need help or have damaged or missing parts, call the Customer Helpline: 0845 640 0800



# Safety and Care Advice

**Important – Please read these instructions fully before starting assembly**

- Check you have all the components and tools listed on pages 2 and 3.
- Remove all fittings from the plastic bags and separate them into their groups.
- Keep children and animals away from the work area, small parts could choke if swallowed.
- Make sure you have enough space to layout the parts before starting.

- Do not stand or put weight on this product during assembly, this could cause damage.
- Assemble the item as close to its final position (in the same room) as possible.
- Assemble on a soft level surface to avoid damaging the unit or your floor.
- Parts of the assembly will be easier with 2 people.



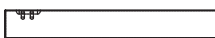
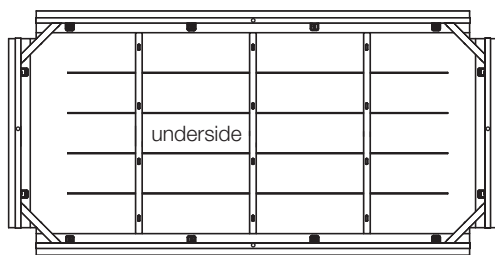
- We do not recommend the use of power drill/drivers **for inserting screws**, as this could damage the unit. Only use hand screwdrivers.
- Dispose of all packaging carefully and responsibly.

## Care and maintenance

- Only clean using a damp cloth and mild detergent, do not use bleach or abrasive cleaners.
- From time to time check that there are no loose screws on this unit.
- This product should not be discarded with household waste. Take to your local authority waste disposal centre.

# Components - Panels

Please check you have all the panels listed below



**2** Leg x 4 (10 x 75cm)





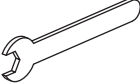
**1** Top (180 x 90cm)

# Components - Fittings

If you have damaged or missing components, call the **Customer Helpline: 0845 640 0800**

Please check you have all the fittings listed below

**Note:** The quantities below are the correct amount to complete the assembly. In some cases more fittings may be supplied than are required.

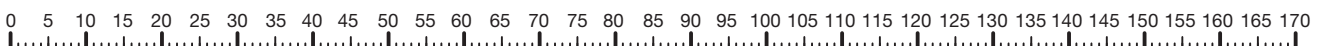
<b>A</b>  M8x80mm Bolt x 8	<b>B</b>  Spring washer x 8	<b>C</b>  Washer x 8
<b>D</b>  13mm Nut x 8	<b>E</b>  Spanner x 1	

## Tools required



Ruler/tape  
measure

Ruler - Use this ruler to help correctly identify the screws



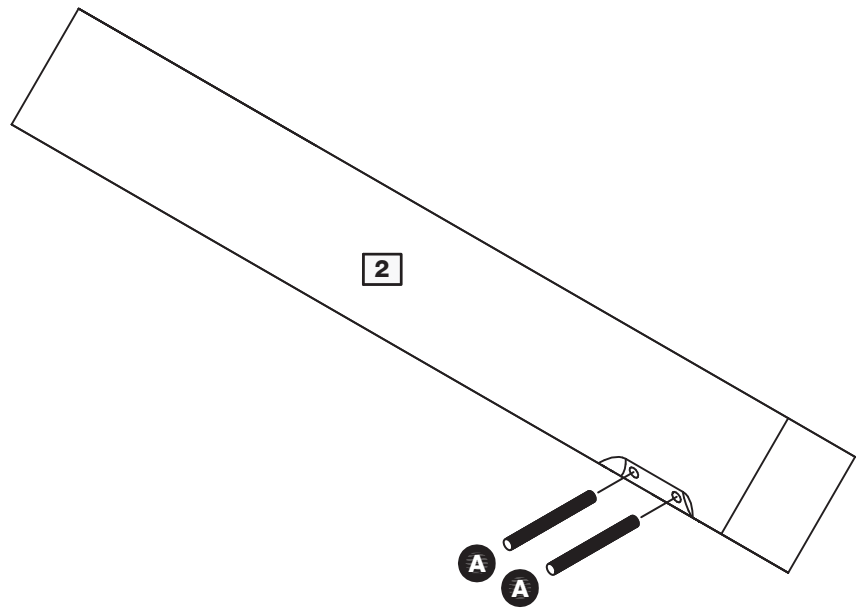
# Assembly Instructions

## Step 1

### Fitting bolts

Screw bolts **A** to the holes of leg **2**.

Repeat with remaining legs **2**.

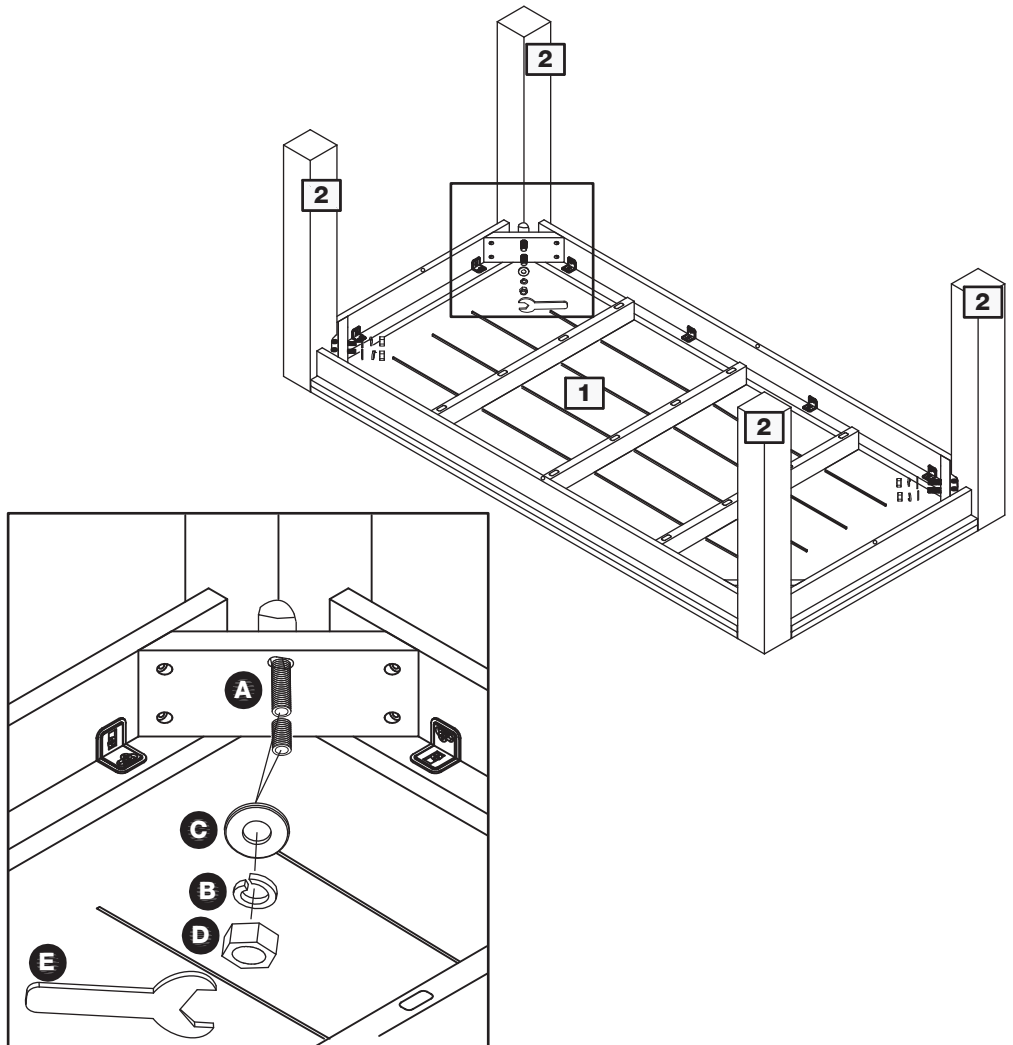


## Step 2

### Attaching legs

Attach four legs **2** to top **1** using washer **C**, nut **D**, and spring washer **B**. Tighten the bolts with spanner **E**.

Assembly is complete.



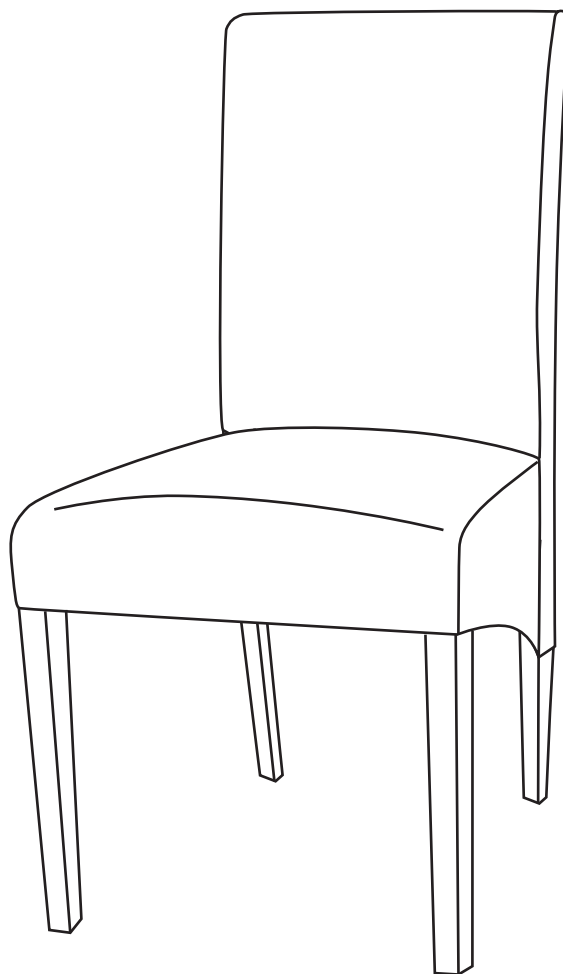
If you need help or have damaged or missing parts, call the Customer Helpline: 0845 640 0800  
Argos Ltd MK9 2NW

# HAMPSHIRE PAIR OF DINING CHAIRS

Assembly Instructions - Please keep for future reference

186/4001

186/4018



## Dimensions

Width - 50cm

Depth - 67cm

Height - 106cm

**Important – Please read these instructions fully before starting assembly**

If you need help or have damaged or missing parts, call the Customer Helpline: 0845 640 0800



# Safety and Care Advice

**Important – Please read these instructions fully before starting assembly**

- Check you have all the components and tools listed on pages 2 and 3.
- Remove all fittings from the plastic bags and separate them into their groups.
- Keep children and animals away from the work area, small parts could choke if swallowed.
- Make sure you have enough space to layout the parts before starting.

- Do not stand or put weight on the product during assembly, this could cause damage.
- Assemble the item as close to its final position (in the same room) as possible.
- Assemble on a soft level surface to avoid damaging the unit or your floor.
- Parts of the assembly will be easier with 2 people.



- We do not recommend the use of power drill/drivers for inserting screws as this could damage the unit. Only use hand screwdrivers.
- Dispose of all packaging carefully and responsibly.

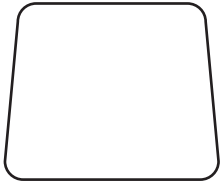
## Care and maintenance

- Only clean using a damp cloth and mild detergent, do not use bleach or abrasive cleaners.
- From time to time check that there are no loose screws on this unit.
- This product should not be discarded with household waste. Take to your local authority waste disposal centre.

# Components - Panels

If you have damaged or missing components, call the **Customer Helpline: 0845 640 0800**

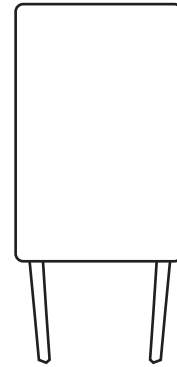
Please check you have all the panels listed below



**1** Seat (50 x 48cm)



**2** Leg x 2 (40 x 4.5cm)




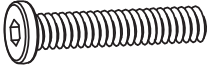


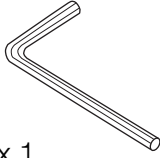
**3** Back Frame (106 x 43cm)



# Components - Fittings

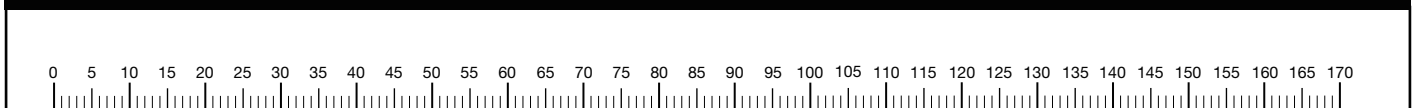
Please check you have all the fittings listed below

**Note:** The quantities below are the correct amount to complete the assembly. In some cases more fittings may be supplied than are required.

<p><b>A</b> </p> <p>Bolt x 4 ( M8 x 90mm )</p>	<p><b>B</b> </p> <p>Bolt x 5 ( M8 x 50mm )</p>	<p><b>C</b> </p> <p>Flat washer x 9</p>
<p><b>D</b> </p> <p>Spring washer x 9</p>	<p><b>E</b> </p> <p>Hex key x 1</p>	

Tools required

Ruler - Use this ruler to help correctly identify the screws



# Assembly Instructions

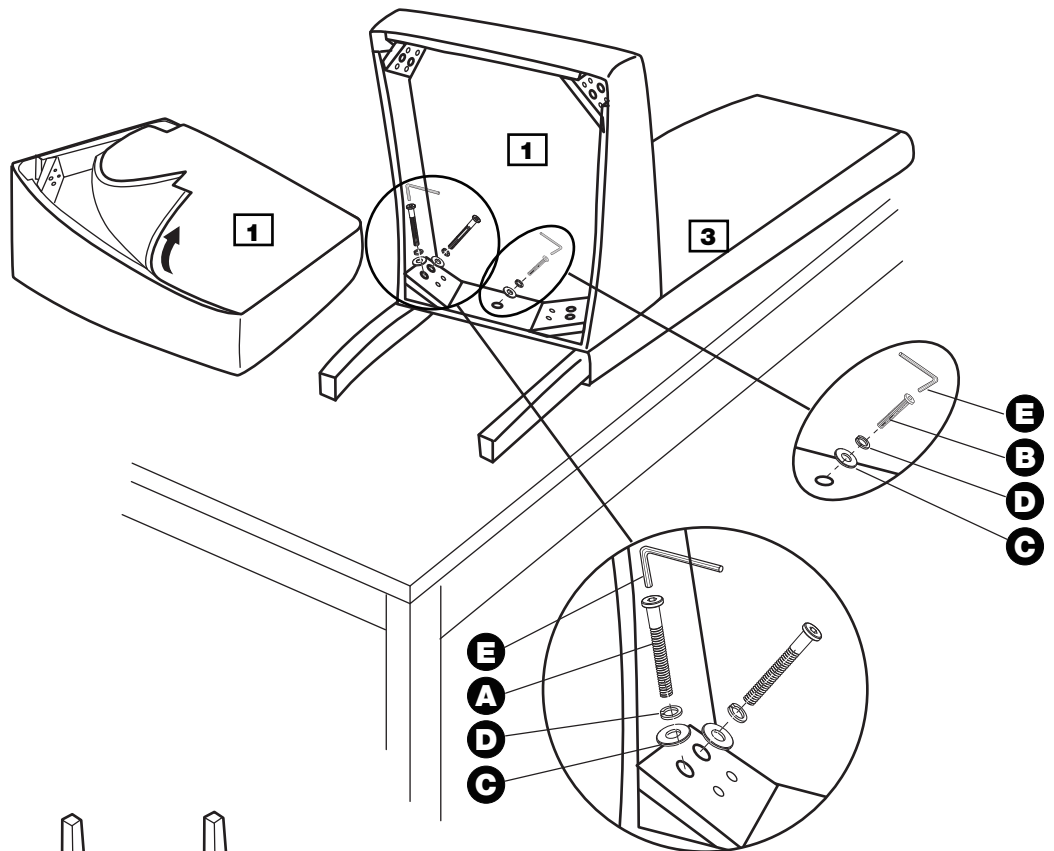
## Step 1

### Attaching the seat to the back

Place the back **3** on a covered table top.

Remove the dust cover from seat **1**.

Place the seat on back **3** and fasten it to the back with bolts **A** and washers **B** and spring washers **D**. Please make sure **C** and **D** are assembled as shown.



## Step 2

### Attaching the front legs

Insert legs **2** to the front of seat **1**.

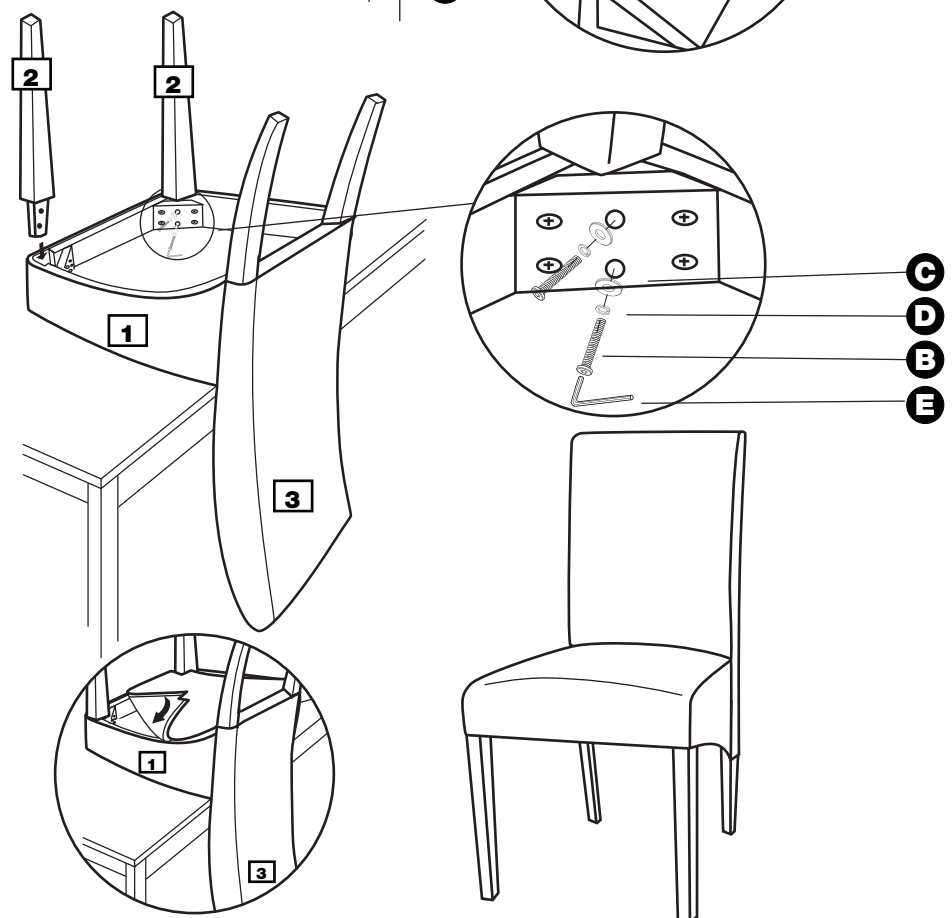
Fasten legs **2** to seat **1** with bolts **B**, washers **C** and spring washers **D**.

Please make sure **C** and **D** are assembled as shown.

Replace the dust cover.

Carefully turn the chair over and place it on the floor.

**Assembly is complete**



If you need help or have damaged or missing parts, call the Customer Helpline: 0845 640 0800  
Argos Ltd MK9 2NW