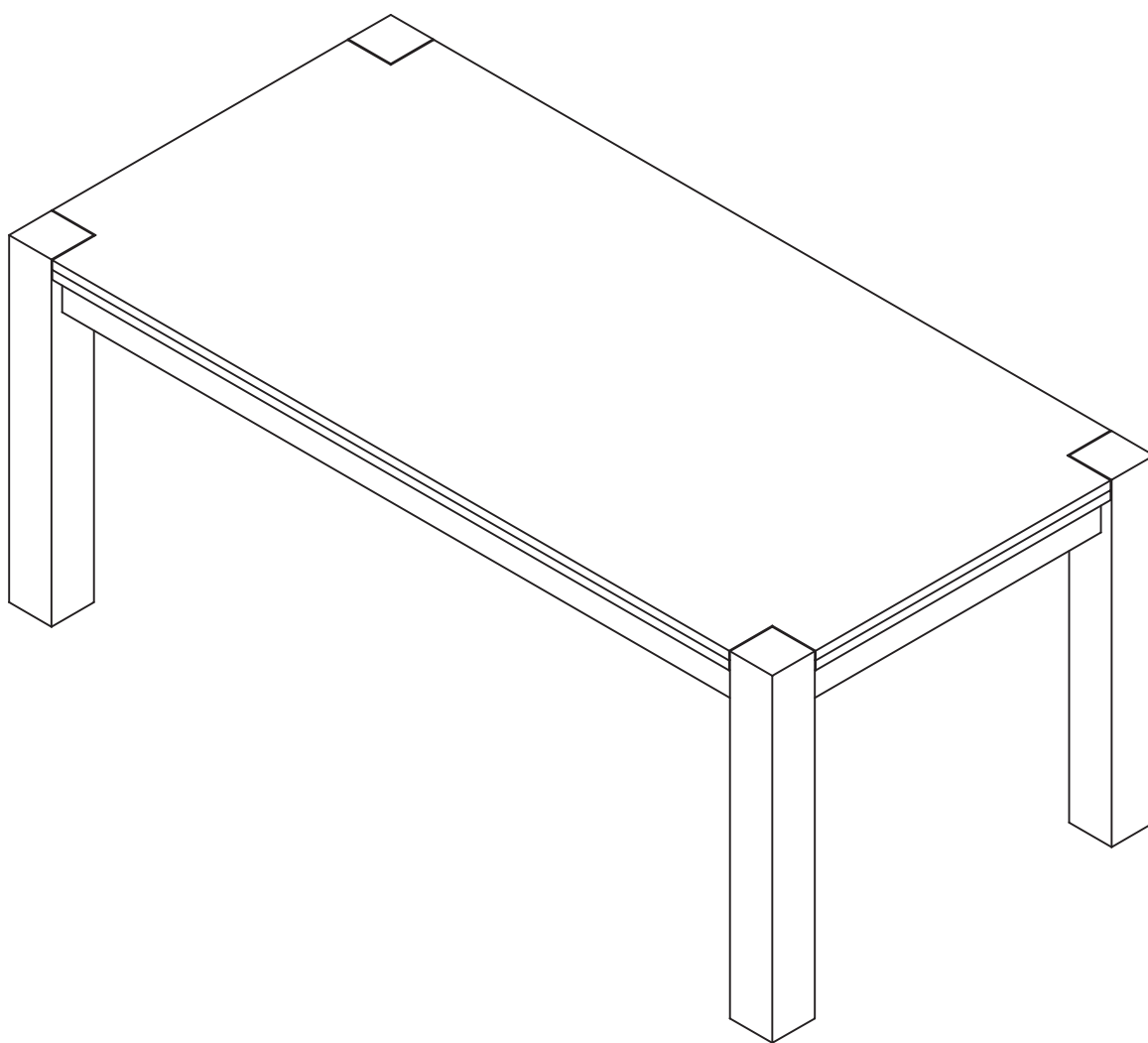


Woburn Dining Table

Assembly Instructions - Please keep for future reference

186/3215



Dimensions

Length - 180cm

Width - 90cm

Height - 75cm

Important – Please read these instructions fully before starting assembly

If you need help or have damaged or missing parts, call the Customer Helpline: 0845 640 0800



Safety and Care Advice

Important – Please read these instructions fully before starting assembly

- Check you have all the components and tools listed on pages 2 and 3.
- Remove all fittings from the plastic bags and separate them into their groups.
- Keep children and animals away from the work area, small parts could choke if swallowed.
- Make sure you have enough space to layout the parts before starting.

- Do not stand or put weight on this product during assembly, this could cause damage.
- Assemble the item as close to its final position (in the same room) as possible.
- Assemble on a soft level surface to avoid damaging the unit or your floor.
- Parts of the assembly will be easier with 2 people.



• We do not recommend the use of power drill/drivers **for inserting screws**, as this could damage the unit. Only use hand screwdrivers.

- Dispose of all packaging carefully and responsibly.

Care and maintenance

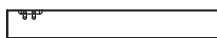
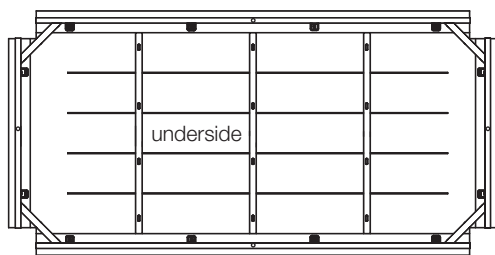
- Only clean using a damp cloth and mild detergent, do not use bleach or abrasive cleaners.

- From time to time check that there are no loose screws on this unit.

- This product should not be discarded with household waste. Take to your local authority waste disposal centre.

Components - Panels

Please check you have all the panels listed below



2 Leg x 4 (10 x 75cm)





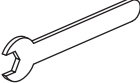
1 Top (180 x 90cm)

Components - Fittings

If you have damaged or missing components, call the **Customer Helpline: 0845 640 0800**

Please check you have all the fittings listed below

Note: The quantities below are the correct amount to complete the assembly. In some cases more fittings may be supplied than are required.

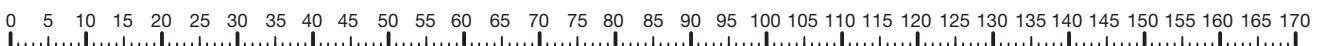
A  M8x80mm Bolt x 8	B  Spring washer x 8	C  Washer x 8
D  13mm Nut x 8	E  Spanner x 1	

Tools required



Ruler/tape
measure

Ruler - Use this ruler to help correctly identify the screws



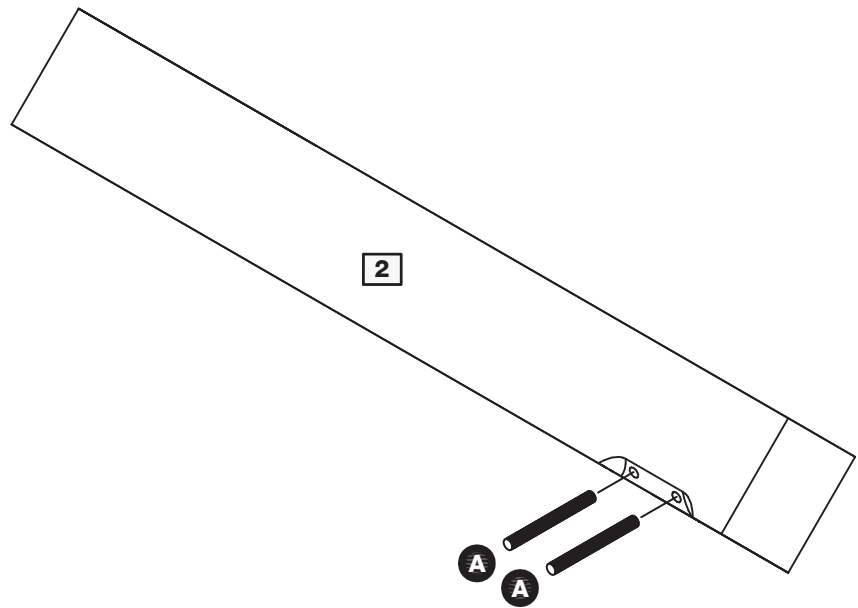
Assembly Instructions

Step 1

Fitting bolts

Screw bolts **A** to the holes of leg **2**.

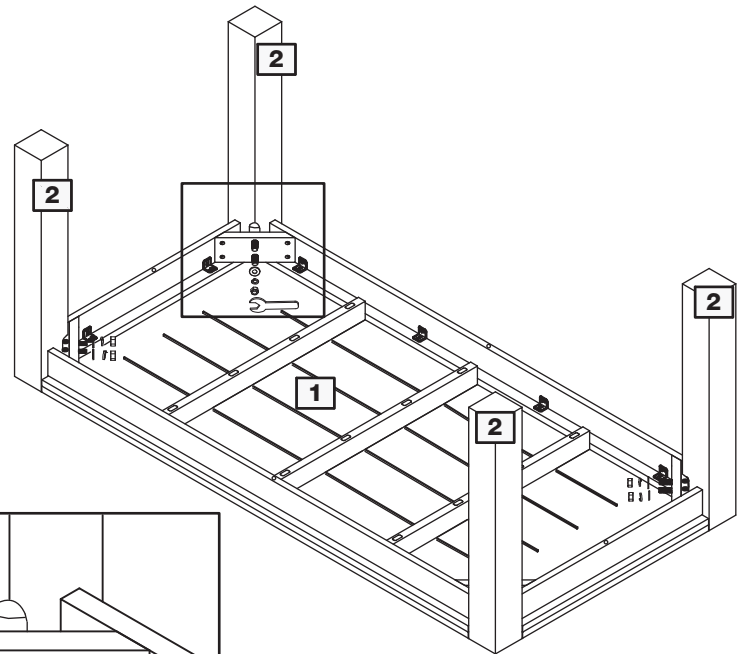
Repeat with remaining legs **2**.



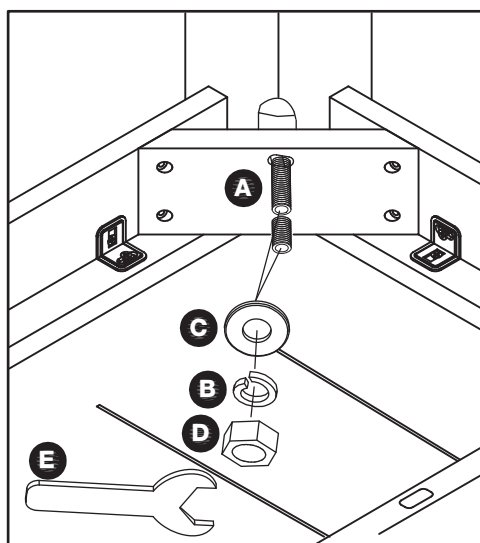
Step 2

Attaching legs

Attach four legs **2** to top **1** using washer **C**, nut **D**, and spring washer **B**. Tighten the bolts with spanner **E**.



Assembly is complete.



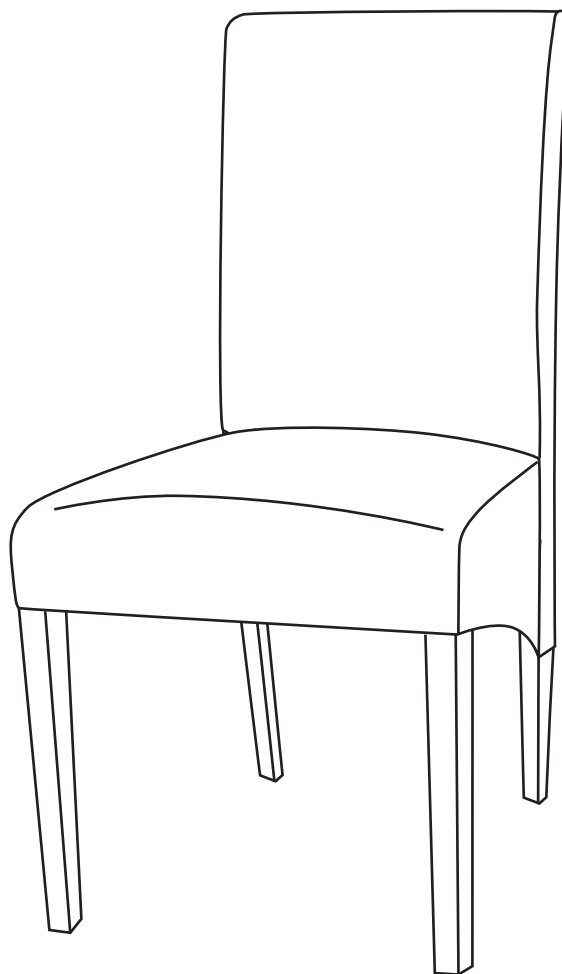
If you need help or have damaged or missing parts, call the Customer Helpline: 0845 640 0800
Argos Ltd MK9 2NW

HAMPSHIRE PAIR OF DINING CHAIRS

Assembly Instructions - Please keep for future reference

186/4001

186/4018



Dimensions

Width - 50cm

Depth - 67cm

Height - 106cm

Important – Please read these instructions fully before starting assembly

If you need help or have damaged or missing parts, call the Customer Helpline: 0845 640 0800



Safety and Care Advice

Important – Please read these instructions fully before starting assembly

- Check you have all the components and tools listed on pages 2 and 3.
- Remove all fittings from the plastic bags and separate them into their groups.
- Keep children and animals away from the work area, small parts could choke if swallowed.
- Make sure you have enough space to layout the parts before starting.

- Do not stand or put weight on the product during assembly, this could cause damage.
- Assemble the item as close to its final position (in the same room) as possible.
- Assemble on a soft level surface to avoid damaging the unit or your floor.
- Parts of the assembly will be easier with 2 people.



- We do not recommend the use of power drill/drivers for inserting screws as this could damage the unit. Only use hand screwdrivers.
- Dispose of all packaging carefully and responsibly.

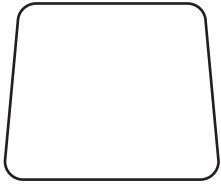
Care and maintenance

- Only clean using a damp cloth and mild detergent, do not use bleach or abrasive cleaners.
- From time to time check that there are no loose screws on this unit.
- This product should not be discarded with household waste. Take to your local authority waste disposal centre.

Components - Panels

If you have damaged or missing components, call the **Customer Helpline: 0845 640 0800**

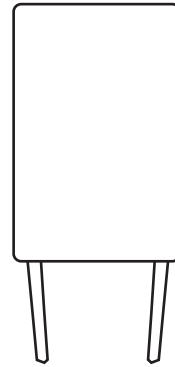
Please check you have all the panels listed below



1 Seat (50 x 48cm)



2 Leg x 2 (40 x 4.5cm)


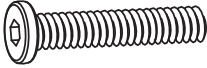


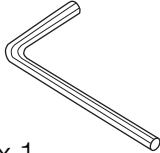


3 Back Frame (106 x 43cm)

Components - Fittings

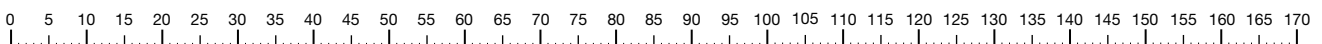
Please check you have all the fittings listed below

Note: The quantities below are the correct amount to complete the assembly. In some cases more fittings may be supplied than are required.

<p>A </p> <p>Bolt x 4 (M8 x 90mm)</p>	<p>B </p> <p>Bolt x 5 (M8 x 50mm)</p>	<p>C </p> <p>Flat washer x 9</p>
<p>D </p> <p>Spring washer x 9</p>	<p>E </p> <p>Hex key x 1</p>	

Tools required

Ruler - Use this ruler to help correctly identify the screws



Assembly Instructions

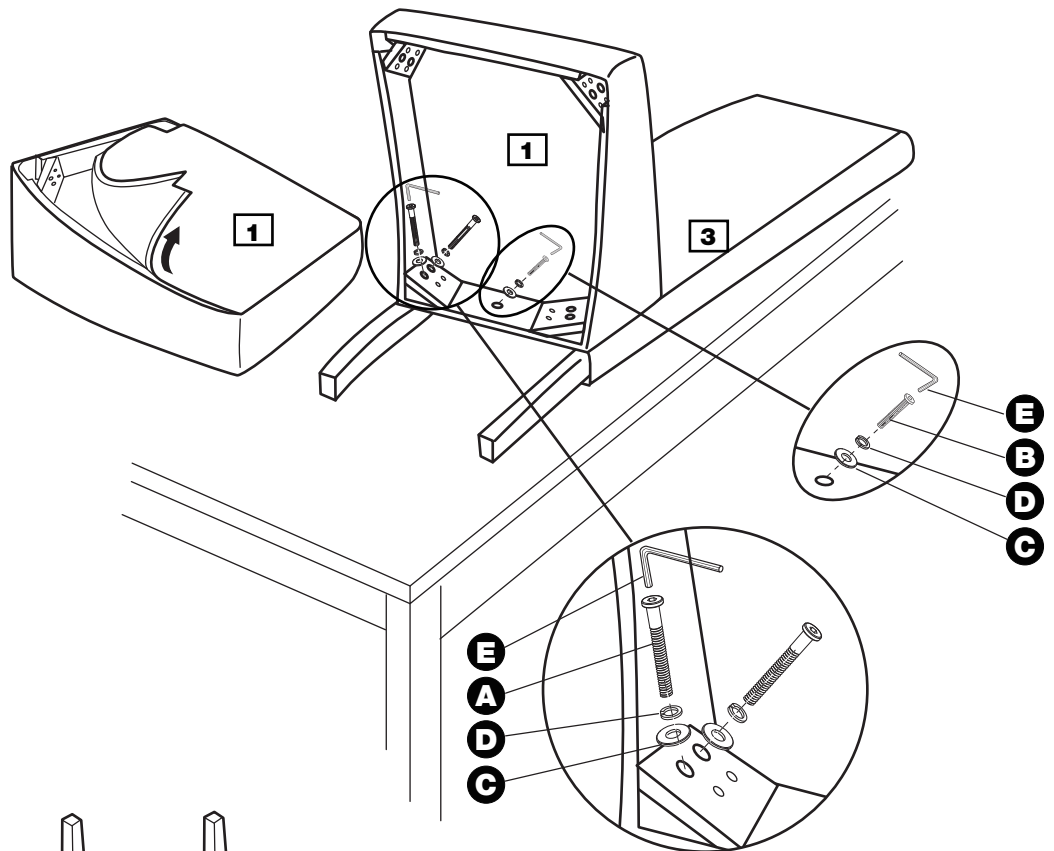
Step 1

Attaching the seat to the back

Place the back **3** on a covered table top.

Remove the dust cover from seat **1**.

Place the seat on back **3** and fasten it to the back with bolts **A** and **B**, washers **C** and spring washers **D**. Please make sure **C** and **D** are assembled as shown.



Step 2

Attaching the front legs

Insert legs **2** to the front of seat **1**.

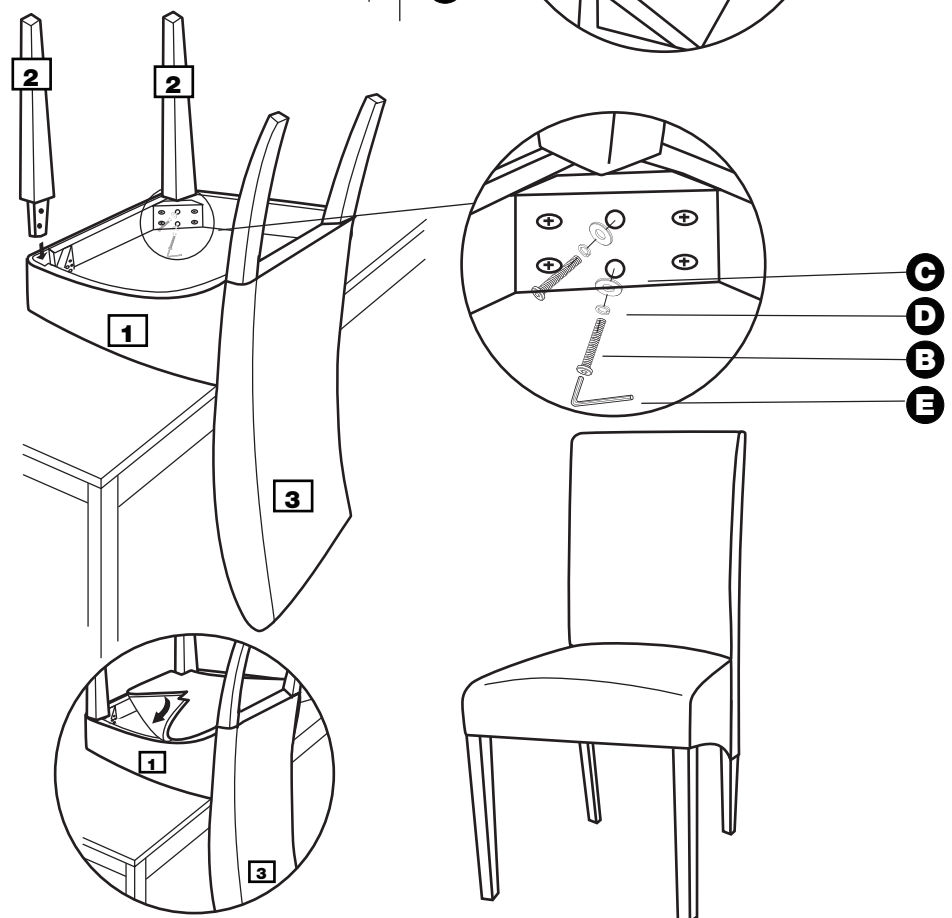
Fasten legs **2** to seat **1** with bolts **B**, washers **C** and spring washers **D**.

Please make sure **C** and **D** are assembled as shown.

Replace the dust cover.

Carefully turn the chair over and place it on the floor.

Assembly is complete



If you need help or have damaged or missing parts, call the Customer Helpline: 0845 640 0800
Argos Ltd MK9 2NW