

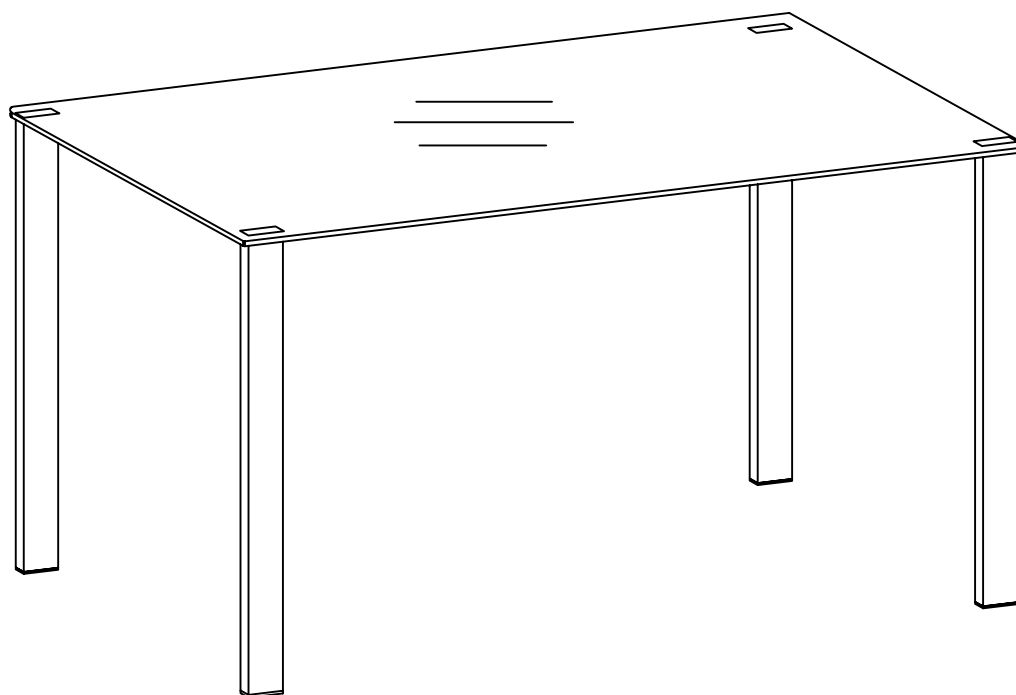
Naples Dining Table

Assembly Instructions - Please keep for future reference

603/6391

603/6401

hygena



Dimensions

Width - 137cm

Depth - 90cm

Height - 75cm

Important - Please read these instructions fully before starting assembly

If you need help or have damaged or missing parts, call the **Customer Helpline: 08456 400800**



Safety and Care Advice

Important – Please read these instructions fully before starting assembly

- Check you have all the components and tools listed on pages 2 and 3.
- Remove all fittings from the plastic bags and separate them into their groups.
- Keep children and animals away from the work area, small parts could choke if swallowed.
- Make sure you have enough space to layout the parts before starting.
- Do not stand or put excessive weight on the product, this could cause damage.
- Assemble the item as close to its final position (in the same room) as possible.
- Parts of the assembly will be easier with 2 people.
- Dispose of all packaging carefully and responsibly.
- Place the product on flat and steady surface during use.
- Assemble on a soft level surface to avoid damaging the unit or your floor.
- Keep these instructions for further use.
- To ensure an easier assembly, we strongly advise that all fittings are only finger tightened during initial assembly. Only upon completion of the assembly should all fixing points be fully tightened.

Glass safety

- This product complies with BS EN 12521: 2009.
- Imported by:
Home Retail Group.
489-499 Avebury Boulevard.
Saxon Gate West.
Central Milton Keynes.
MK9 2nw
- Product Cat no.: 603/6391(D)(Black Glass)
Cat no.: 603/6401(D)(Clear Glass)
- P/O No:
- If the glass is chipped or broken, stop using the product and consult the Manufacturer or Supplier.

Warnings

- a) Do not place very hot or very cold items on the glass surface(s) unless adequately thick table mats are used to prevent such items from coming into contact with the glass..
- b) Do not sit or stand upon the glass surface(s).
- c) Do not use the glass as a chopping surface. Do not strike the glass with hard or pointed items.
- d) When cleaning glass panels use a damp cloth or leather with washing up liquid or soft soap if necessary, do not use washing powders or any other substance containing abrasives since these substances scratch glass.

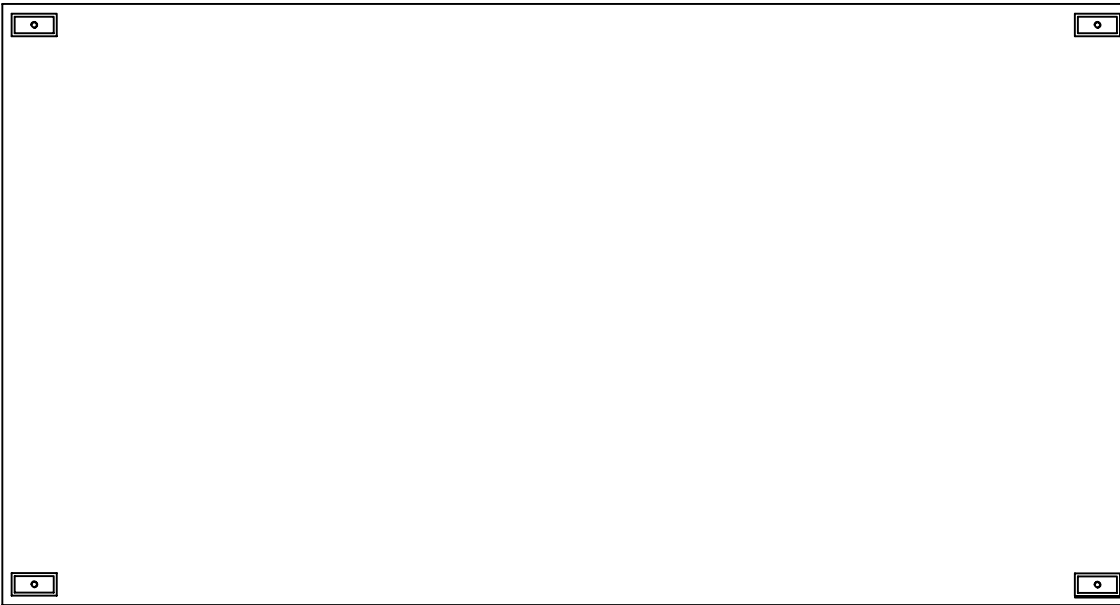
Care and maintenance

- Only clean using a damp cloth and mild detergent, do not use bleach or abrasive cleaners.
- From time to time check that there are no loose screws on this unit.
- This product should not be discarded with household waste. Take to your local authority waste disposal centre.

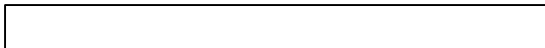
Components - Parts

If you have damaged or missing components,
call the **Customer Helpline: 08456 400800**

Please check you have all the parts listed below



1 Glass top (137 x 90cm x 8mm)



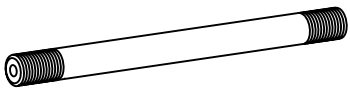


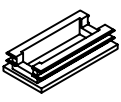
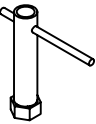
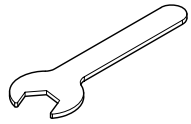
2 Leg x 4 (73 x 6 cm)

Components - Fittings

If you have damaged or missing components, call the **Customer Helpline: 08456 400800**

Please check you have all the fittings listed below

Note: The quantities below are the correct amount to complete the assembly. In some cases more fittings may be supplied than are required.

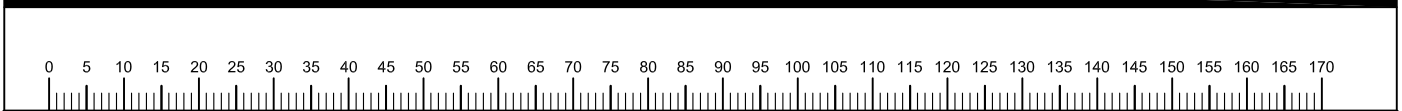
<p>A</p>  <p>720mm Threaded stud x 4</p>	<p>B</p>  <p>Nut x 8</p>	<p>C</p>  <p>Spring washer x 4</p>
<p>D</p>  <p>End cap x 4</p>	<p>E</p>  <p>Box spanner x 1</p>	<p>F</p>  <p>Spanner x 1</p>

Tools required



Ruler/tape
measure

Ruler - Use this ruler to help correctly identify the screws



Assembly Instructions

Step 1

Preparing Glass top



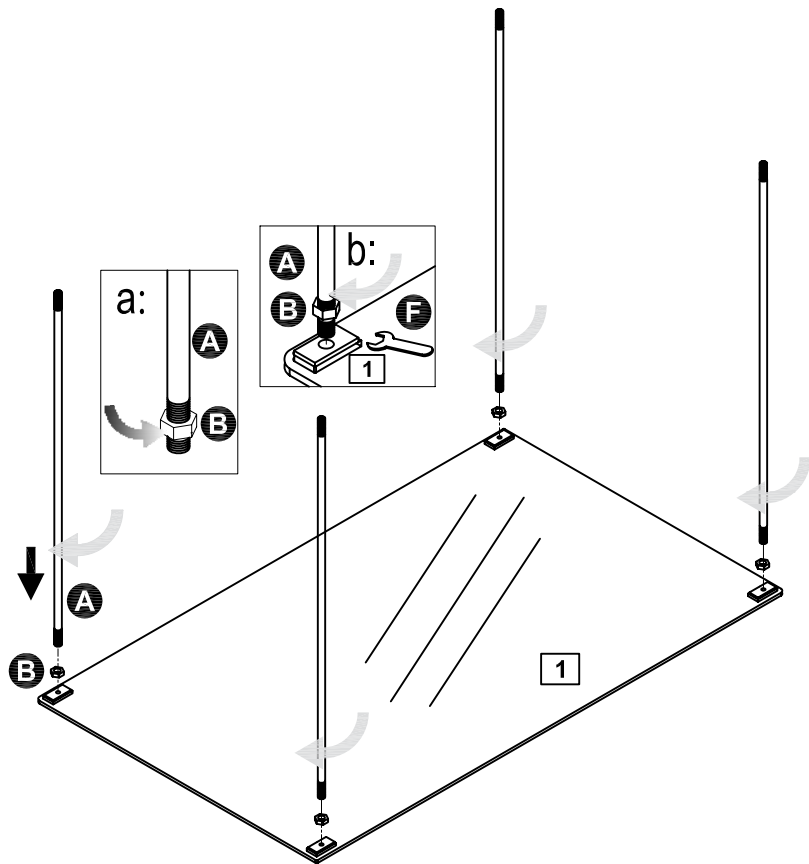
Warning:

With help, carefully place glass top **1** upside down on a clean flat surface.

a: Screw nuts **B** onto the ends of threaded rods **A**.

b: Screw threaded rods **A** into the metal discs on the underside of glass top **1**.

Use spanner **F** to fully tighten nuts **B** down onto the metal discs.



Step 2

Attaching legs

Locate legs **2** over the threaded rods.

Note: Ensure the metal plates welded inside the end of legs **2** are facing upwards.

Using box spanner **E**, fully tighten fixings **B** and **C** to secure the legs.

Fit end caps **D**.

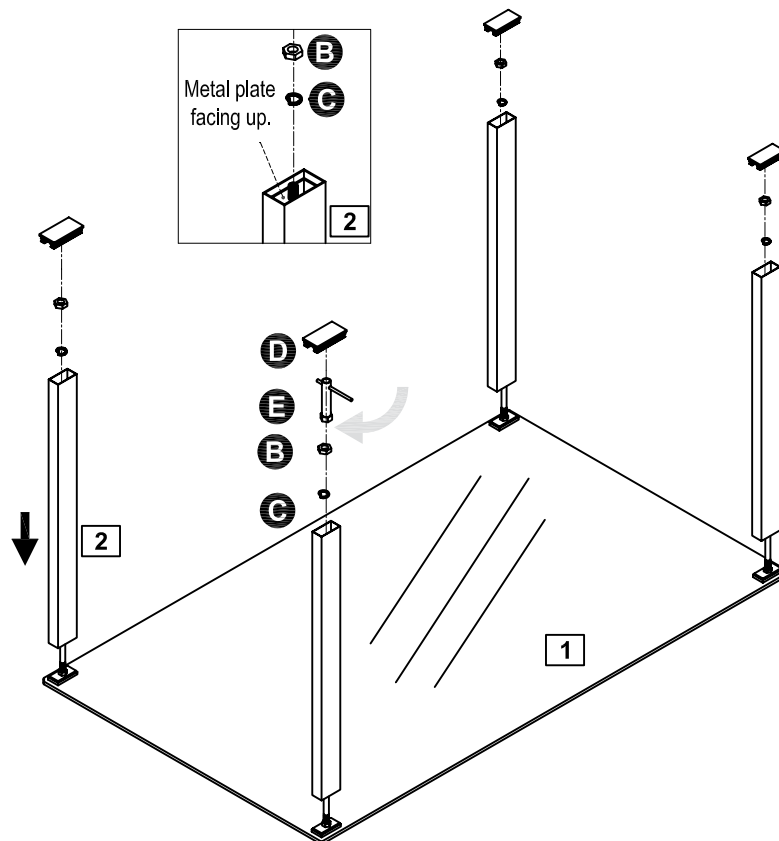
With help, carefully turn the table upright.



Warning:

The table is heavy. Lift with care.

Assembly is complete.



If you need help or have damaged or missing parts, call the **Customer Helpline: 08456 400800**
HomeRetail Group, 489-499 Avebury Boulevard, Saxon Gate West Central Milton Keynes, MK9 2NW