

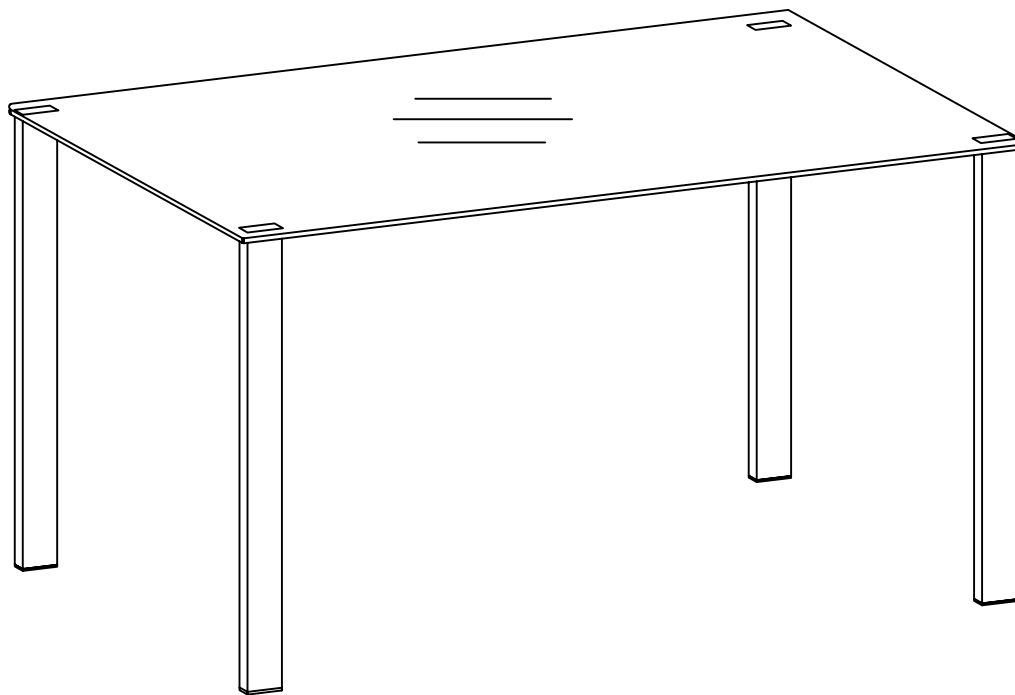
# Naples Dining Table

Assembly Instructions - Please keep for future reference

603/6391

603/6401

**hygena**



## Dimensions

Width - 137cm

Depth - 90cm

Height - 75cm

**Important - Please read these instructions fully before starting assembly**

If you need help or have damaged or missing parts, call the **Customer Helpline: 08456 400800**



# Safety and Care Advice

## Important – Please read these instructions fully before starting assembly

- Check you have all the components and tools listed on pages 2 and 3.
- Remove all fittings from the plastic bags and separate them into their groups.
- Keep children and animals away from the work area, small parts could choke if swallowed.
- Make sure you have enough space to layout the parts before starting.
- Do not stand or put excessive weight on the product, this could cause damage.
- Assemble the item as close to its final position (in the same room) as possible.
- Parts of the assembly will be easier with 2 people.
- Dispose of all packaging carefully and responsibly.
- Place the product on flat and steady surface during use.
- Assemble on a soft level surface to avoid damaging the unit or your floor.
- Keep these instructions for further use.
- To ensure an easier assembly, we strongly advise that all fittings are only finger tightened during initial assembly. Only upon completion of the assembly should all fixing points be fully tightened.

## Glass safety

- This product complies with BS EN 12521: 2009.
- Imported by:  
Home Retail Group.  
489-499 Avebury Boulevard.  
Saxon Gate West.  
Central Milton Keynes.  
MK9 2nw
- Product Cat no.: 603/6391(D)(Black Glass)  
Cat no.: 603/6401(D)(Clear Glass)
- P/O No:
- If the glass is chipped or broken, stop using the product and consult the Manufacturer or Supplier.

## Warnings

- a) Do not place very hot or very cold items on the glass surface(s) unless adequately thick table mats are used to prevent such items from coming into contact with the glass..
- b) Do not sit or stand upon the glass surface(s).
- c) Do not use the glass as a chopping surface. Do not strike the glass with hard or pointed items.
- d) When cleaning glass panels use a damp cloth or leather with washing up liquid or soft soap if necessary, do not use washing powders or any other substance containing abrasives since these substances scratch glass.

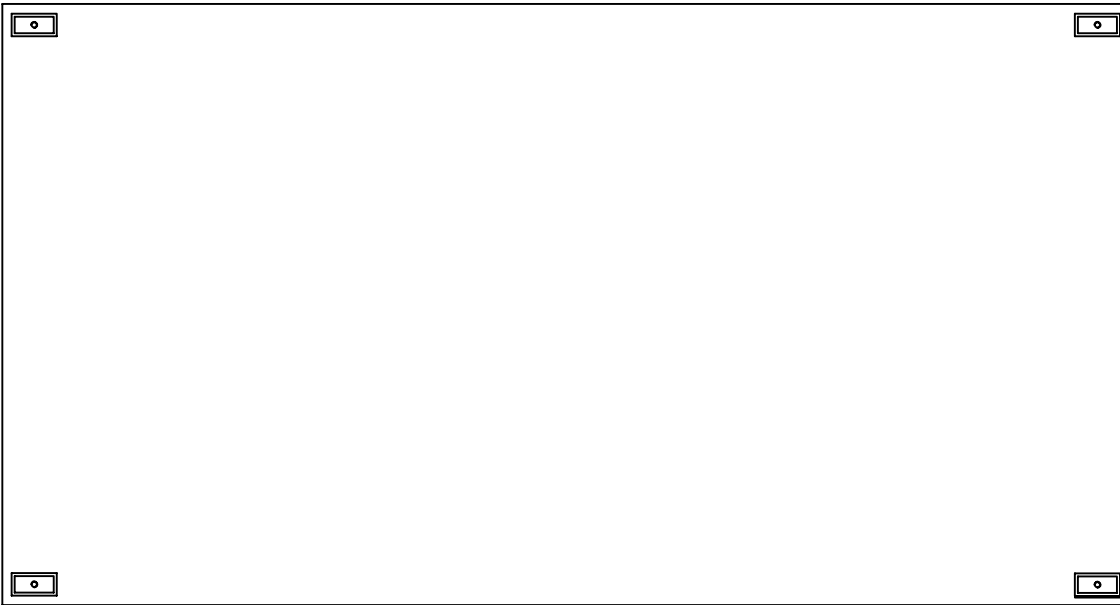
## Care and maintenance

- Only clean using a damp cloth and mild detergent, do not use bleach or abrasive cleaners.
- From time to time check that there are no loose screws on this unit.
- This product should not be discarded with household waste. Take to your local authority waste disposal centre.

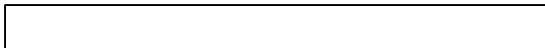
# Components - Parts

If you have damaged or missing components, call the **Customer Helpline: 08456 400800**

Please check you have all the parts listed below



**1** Glass top (137 x 90cm x 8mm)



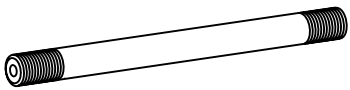


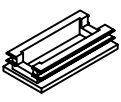
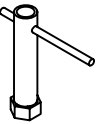
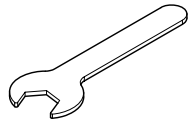
**2** Leg x 4 (73 x 6 cm)

# Components - Fittings

If you have damaged or missing components, call the **Customer Helpline: 08456 400800**

Please check you have all the fittings listed below

**Note:** The quantities below are the correct amount to complete the assembly. In some cases more fittings may be supplied than are required.

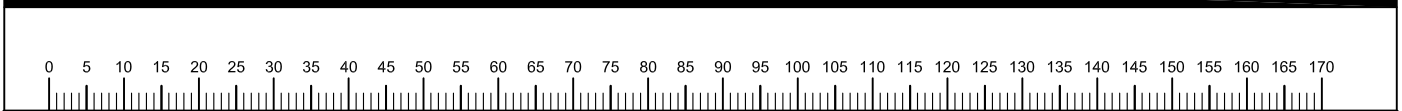
<p><b>A</b></p>  <p>720mm Threaded stud x 4</p>	<p><b>B</b></p>  <p>Nut x 8</p>	<p><b>C</b></p>  <p>Spring washer x 4</p>
<p><b>D</b></p>  <p>End cap x 4</p>	<p><b>E</b></p>  <p>Box spanner x 1</p>	<p><b>F</b></p>  <p>Spanner x 1</p>

## Tools required



Ruler/tape  
measure

## Ruler - Use this ruler to help correctly identify the screws



# Assembly Instructions

## Step 1

### Preparing Glass top



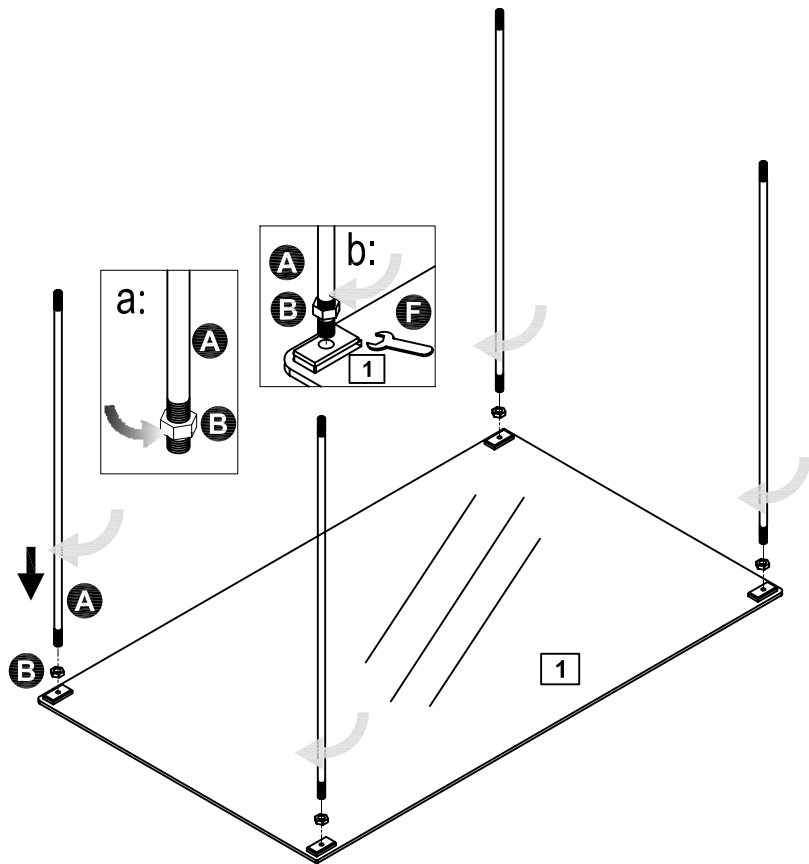
**Warning:**

With help, carefully place glass top **1** upside down on a clean flat surface.

**a:** Screw nuts **B** onto the ends of threaded rods **A**.

**b:** Screw threaded rods **A** into the metal discs on the underside of glass top **1**.

Use spanner **F** to fully tighten nuts **B** down onto the metal discs.



## Step 2

### Attaching legs

Locate legs **2** over the threaded rods.

**Note:** Ensure the metal plates welded inside the end of legs **2** are facing upwards.

Using box spanner **E**, fully tighten fixings **B** and **C** to secure the legs.

Fit end caps **D**.

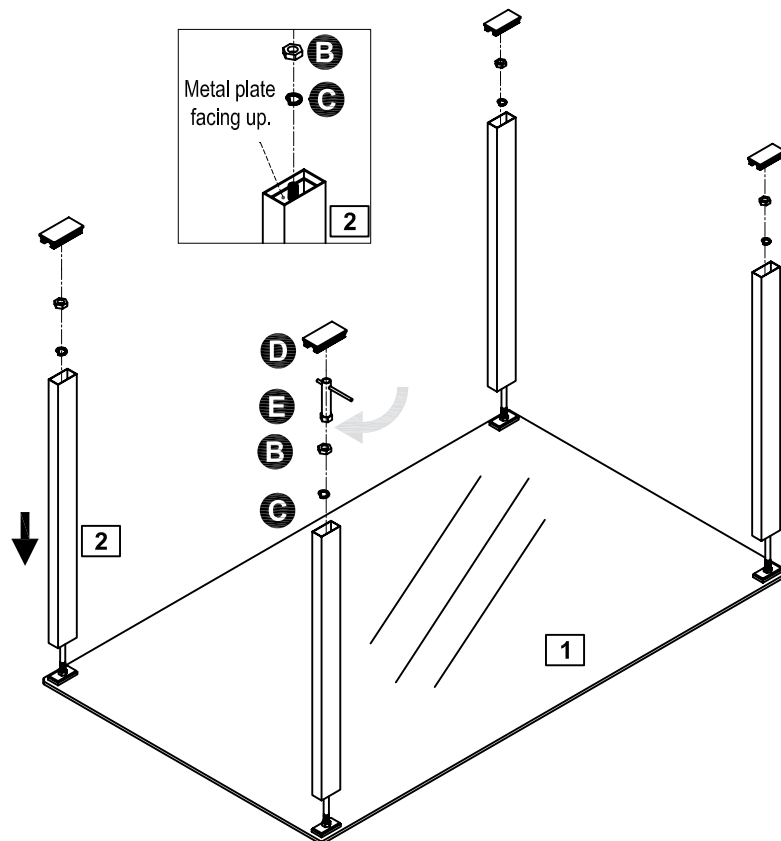
With help, carefully turn the table upright.



**Warning:**

The table is heavy. Lift with care.

Assembly is complete.



If you need help or have damaged or missing parts, call the **Customer Helpline: 08456 400800**  
HomeRetail Group.489-499 Avebury Boulevard. Saxon Gate West Central Milton Keynes.MK9 2NW

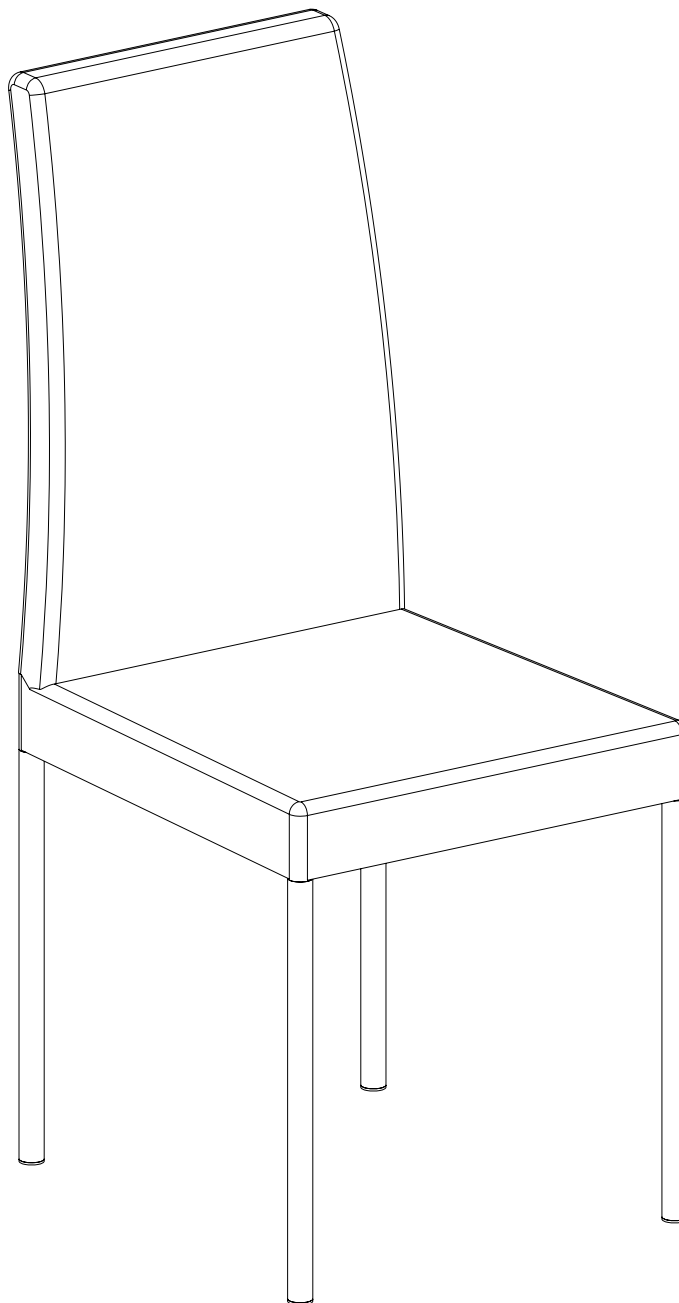
# Naples Dining Chair

Assembly Instructions - Please keep for future reference

603/6418

603/6425

**hygena**



## Dimensions

Width - 45cm

Depth - 53cm

Height - 96.5cm

**Important - Please read these instructions fully before starting assembly**

If you need help or have damaged or missing parts, call the **Customer Helpline: 08456 400800**



# Safety and Care Advice

## Important - Please read these instructions fully before starting assembly

- Check you have all the components and tools listed on pages 2 and 3.
- Remove all fittings from the plastic bags and separate them into their groups.
- Keep children and animals away from the work area, small parts could choke if swallowed.
- Assemble the item as close to its final position (in the same room) as possible.
- Make sure you have enough space to layout the parts before starting.
- Dispose of all packaging carefully and responsibly.
- Keep these instructions for further use.
- Assemble on a soft level surface to avoid damaging the unit or your floor.
- To ensure an easier assembly, we strongly advise that all fittings are only finger tightened during initial assembly. Only upon completion of the assembly should all fixing points be fully tightened.

## Cleaning Guidance

- Minor stains and spillages should be removed immediately from cushion fabric, by wiping over lightly with a damp cloth and mild soapy water.
- Light marking can also be removed using this method.
- To remove more stubborn stains or marking, a good quality proprietary domestic fabric cleaner can be used, although it should first be tested on an inconspicuous area of the fabric.

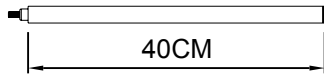
## Care and maintenance

- From time to time check that there are no loose screws on this unit.
- This product should not be discarded with household waste. Take to your local authority waste disposal centre.

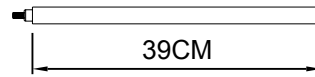
# Components - Parts

If you have damaged or missing components, call the **Customer Helpline: 08456 400800**

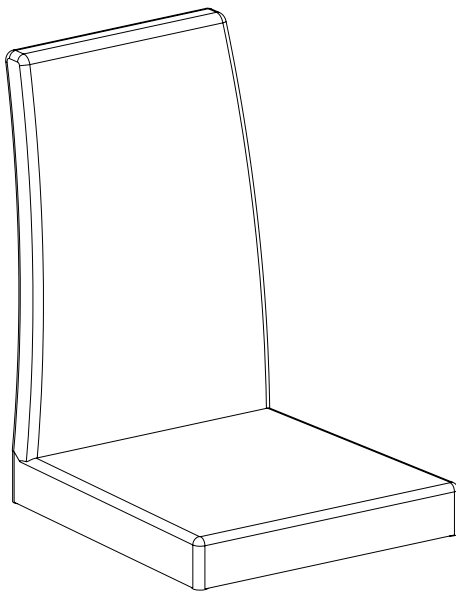
Please check you have all the parts listed below



**1** Front Leg x 4 (42.5 x 2.2cm)



**2** Rear Leg x 4 (41.5 x 2.2cm)



**3** Seat x 2 (48 x 44 x 58.5cm)



# Assembly Instructions

## Step 1

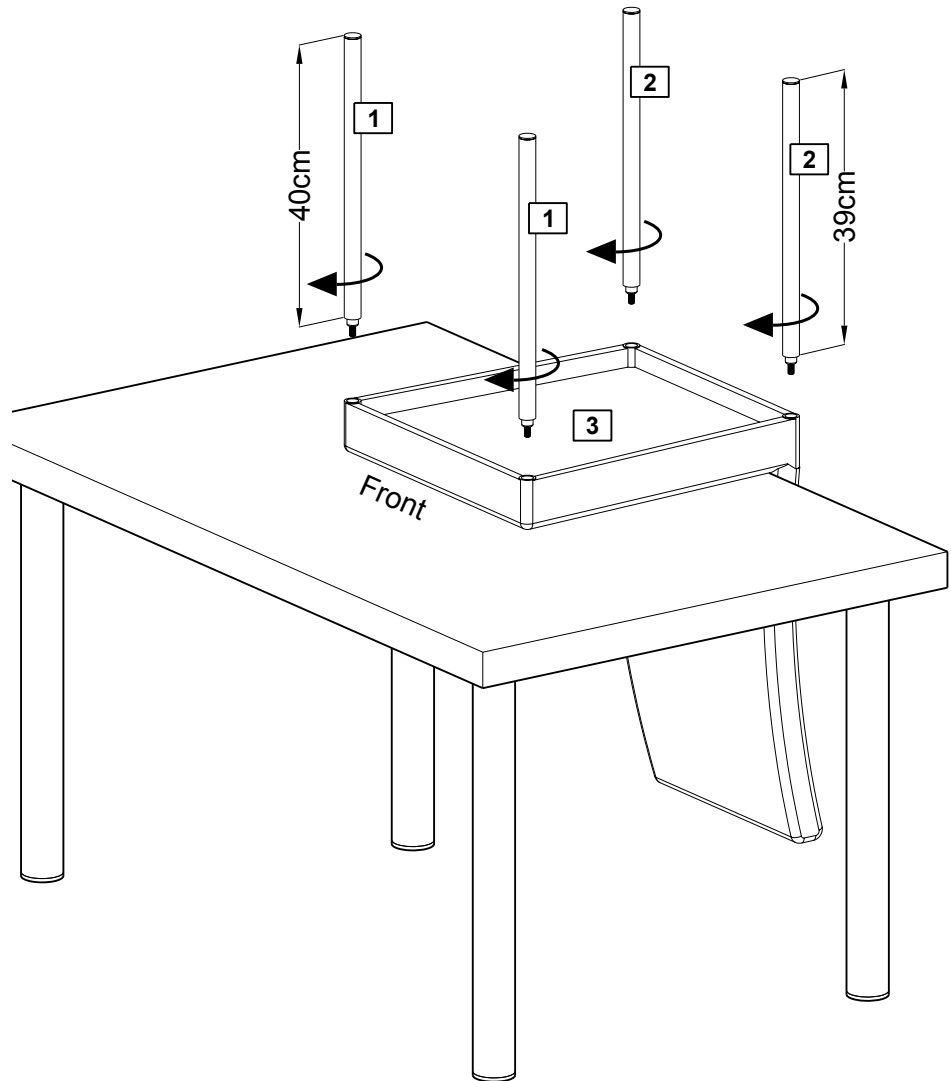
### Attaching seat pad

Place seat frame **3** upside down onto a clean flat surface. (i.e edge of table top)

Screw long legs **1** into the holes at the front of the seat.

Screw shorter legs **2** into the holes at the back of the seat.

Ensure all 4 legs are fully tightened before turning over



**Assembly is complete.**

If you need help or have damaged or missing parts, call the **Customer Helpline: 08456 400800**  
Home Retail Group. 489-499 Avebury Boulevard. Saxon Gate West. Central Milton Keynes. MK9 2NW