

Space saver chair

Assembly Instructions - Please keep for future reference

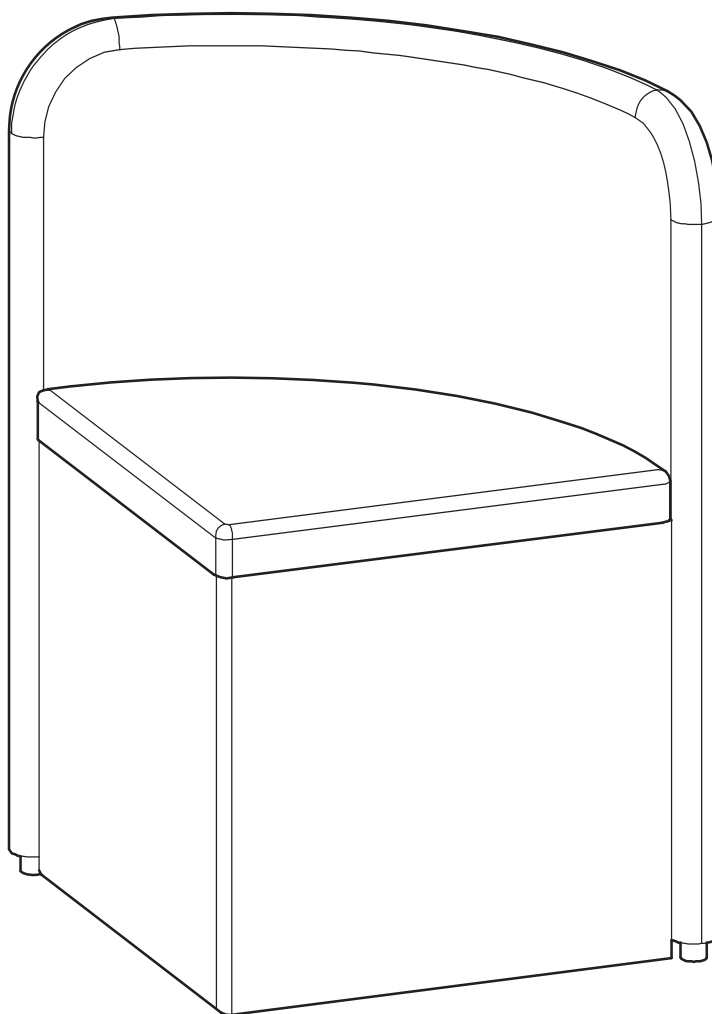
633/7791

633/7825

633/7784

603/3679

603/3686



Dimensions

Width - 64cm
Depth - 46cm
Height - 75.2cm

Important – Please read these instructions fully before starting assembly

If you need help or have damaged or missing parts, call the **Customer Help line: 0845 6400800**



Safety and Care Advice

Important – Please read these instructions fully before starting assembly

- Check you have all the components and tools listed on page 2.

- Remove all fittings from the plastic bags and separate them into their groups.

- Keep children and animals away from the work area, small parts could choke if swallowed.

- This product is for domestic use only .

- Make sure you have enough space to layout the parts before starting.

- Do not stand or put weight on the product, this could cause damage.

- Assemble on a soft level surface to avoid damaging the unit or your floor.



- We do not recommend the use of power drill/drivers **for inserting screws**,

as this could damage the unit. Only use hand screwdrivers.

- Dispose of all packaging carefully and responsibly.

- Maximum safe weight of user: 110kgs.

Care and maintenance

- Only clean using a dry cloth, do not use bleach or abrasive cleaners.

- Make time to time check that there are no loose screws on this unit.

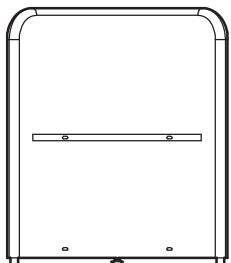
- This product should not be discarded with household waste. Take to your local authority waste disposal centre.

Components - Panels

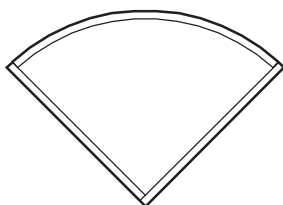
If you have damaged or missing components, call the **Customer Helpline: 0845 6400800**

Please check you have all the panels listed below

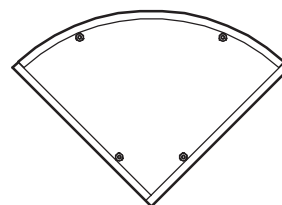
The quantities below are for 4 chairs



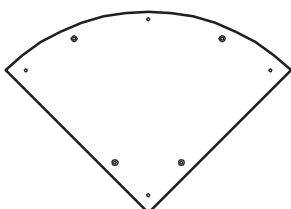
1 Chair back x 4
(64 x 75.2 cm)



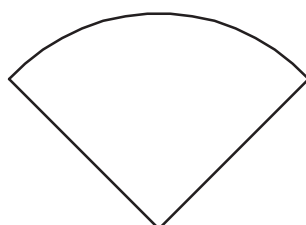
2 Upper seat frame x 4
(56.15 x 39.7 cm)



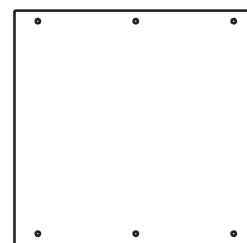
3 Bottom seat frame x 4
(56.15 x 39.7 cm)



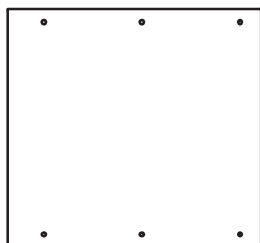
4 Bottom panel x 4
(55.1 x 38.75 cm)



5 Chair seat x 4
(57.4x 40.8 cm)



6 Side panel x 4
(39.7 x 38.6 cm)

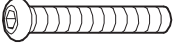
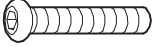
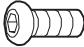



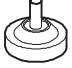


7 Side panel x 4
(40.7 x 38.6 cm)

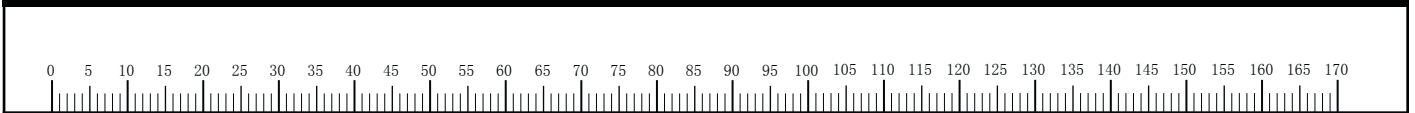
Components - Fittings

Please check you have all the fittings listed below

Note: The quantities below are the correct amount to complete the assembly of 4 chairs. In some cases more fittings may be supplied than are required.

A  42mm Bolt x 16	B  28mm Bolt x 48	C  23mm Bolt x 16
D  Plain washer x 64	E  Spring washer x 64	F  Hex key x 1
G  Foot x 8		

Ruler - Use this ruler to help correctly identify the screws



Assembly Instructions

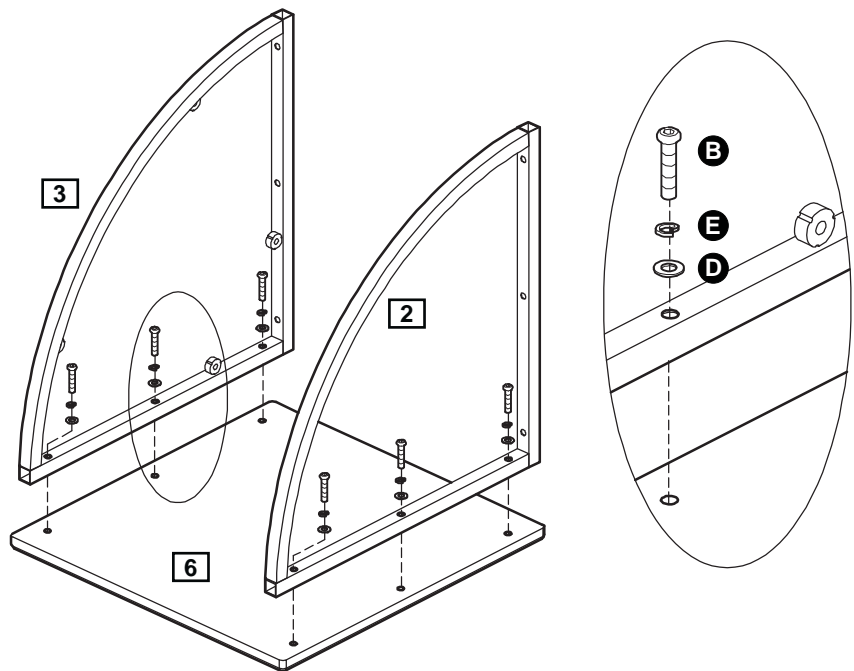
Step 1

Assemble seat frames

Place side panel **6** upside down on a clean, flat surface.

Fix upper seat frame **2** and bottom seat frame **3** onto the side panel by using bolts **B**, spring washers **E** and plain washers **D**.

Note: Make sure the label on the side panel is **6** before you assemble. Do not fully tighten the bolts.



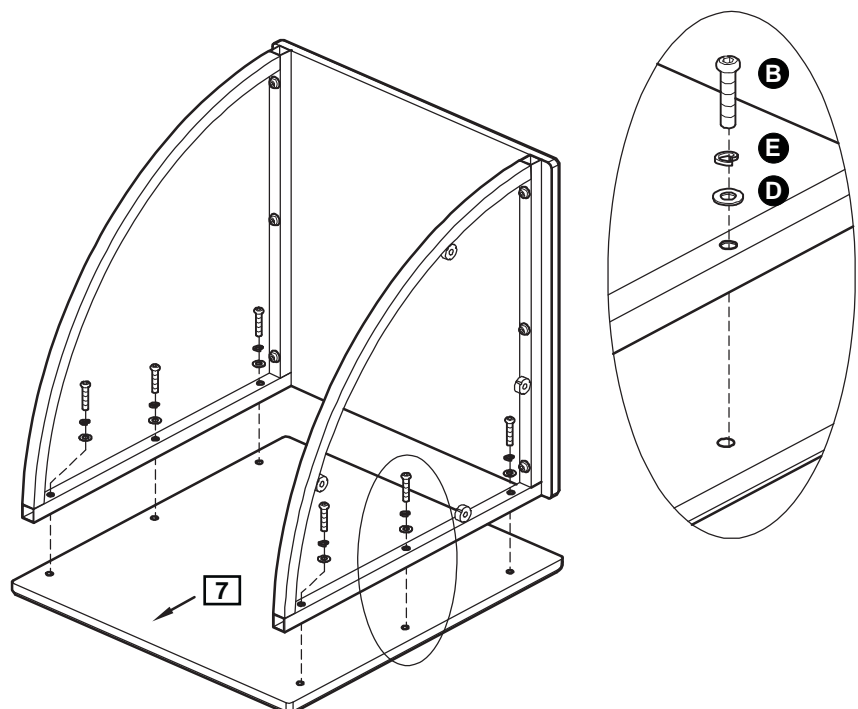
Step 2

Assemble side panel

Place side panel **7** upside down on a clean, flat surface.

Fix the assembled unit onto the side panel by using bolts **B**, spring washers **E** and plain washers **D**.

Note: Make sure the label on the side panel is **7** and the direction of the arrows should be pointed outward as shown in the figure. Do not fully tighten the bolts.



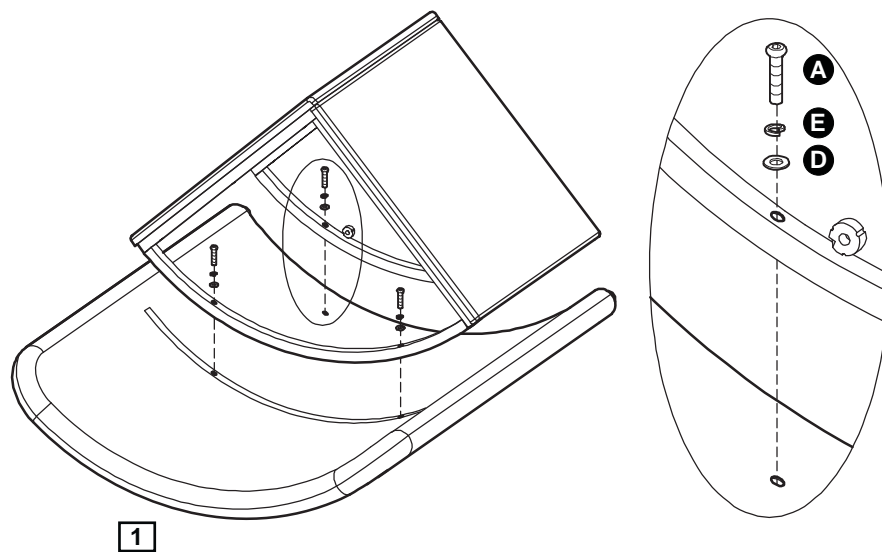
Assembly Instructions

Step 3

Assemble chair back

Fix the assembled unit onto the chair back **1** by using bolts **A**, spring washers **E**, and plain washers **D**.

Note: Re-tighten all the bolts



Step 4

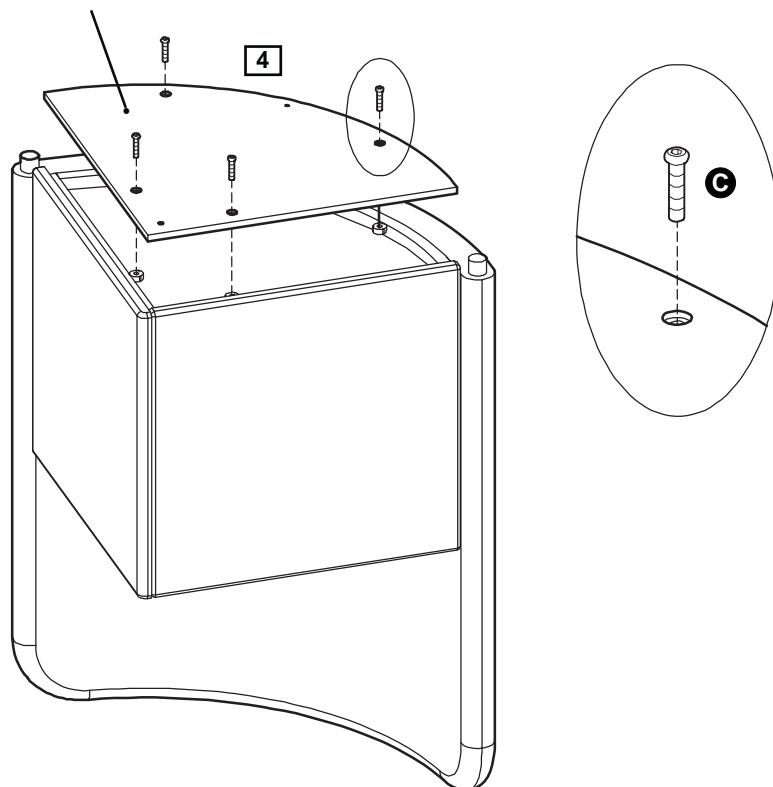
Assemble bottom panel

Two people are needed here.

Fix bottom panel **4** to the bottom seat frame by using bolts **C**.

Note: Make sure the side with label "bottom" must face the underside of the chair.

Underside of chair

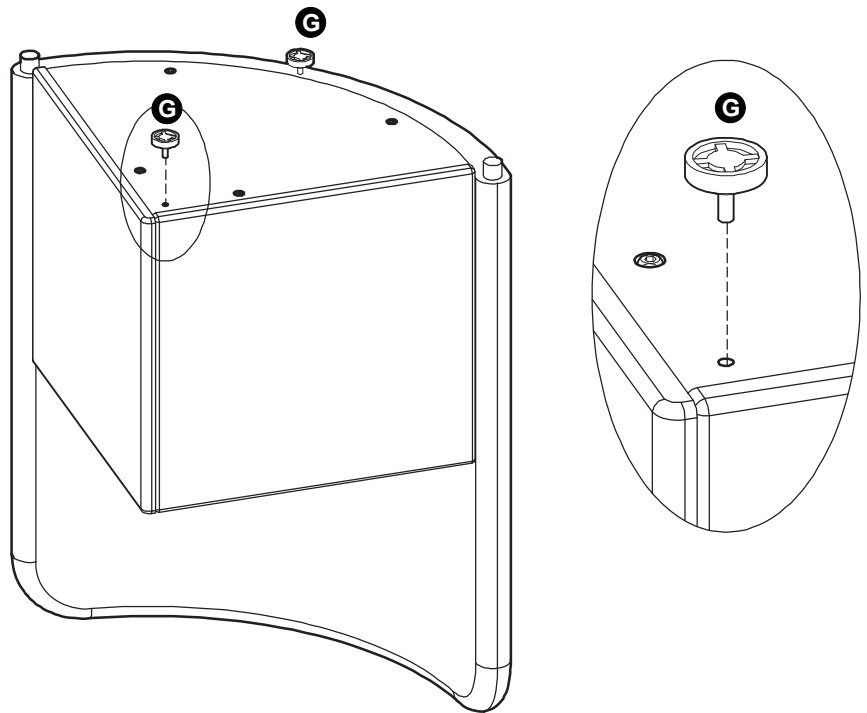


Assembly Instructions

Step 5

Assemble foot

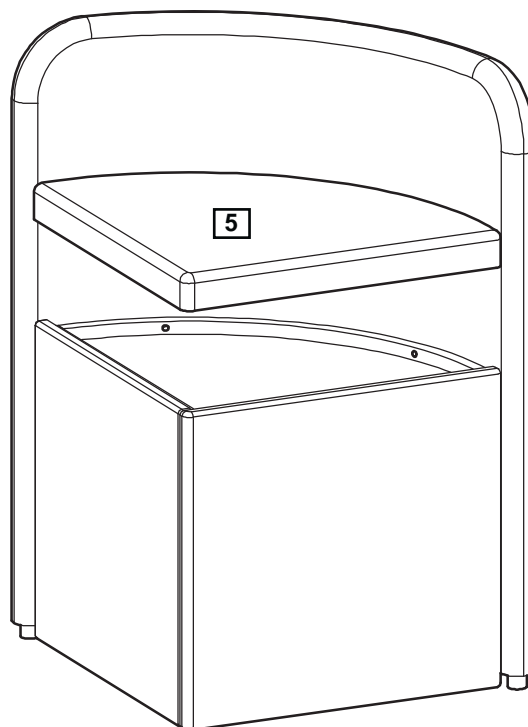
Screw foot **G** into the bottom panel.



Step 6

Turn the chair frame unit back to its up-right position, put the chair seat **5** onto the unit.

Assembly is complete.



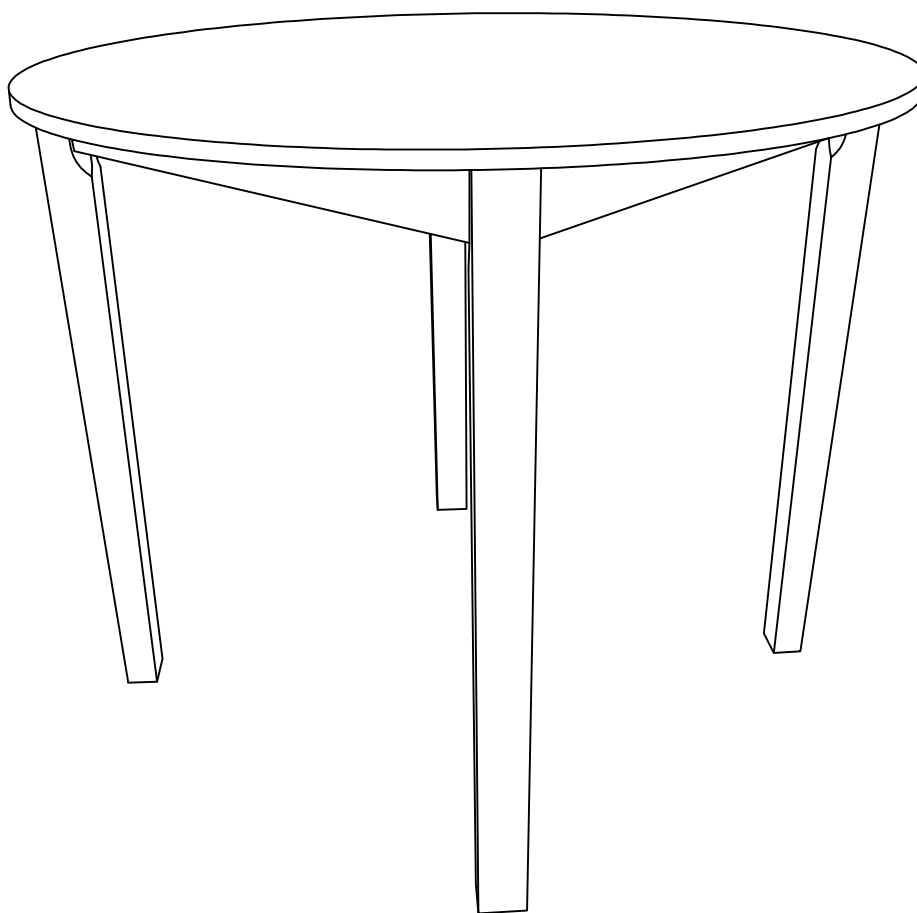
If you need help or have damaged or missing parts, call the **Customer Helpline: 0845 6400800**

Wooden Space Saver Table

Assembly Instruction - Please keep for future reference

633 / 7832

633 / 7849



Dimensions

Width - 90 cm

Deep - 90 cm

Height - 75 cm

Important Please read these instructions fully before starting assembly

If you need help or have damaged or missing parts, call the Customer Helpline: 0845 6400 800



Safety and Care Advice

Important Please read these instructions fully before starting assembly

- Check you have all the components and tools listed on pages 2 and 3.
- Remove all fittings from the plastic bags and separate them into their groups.
- Keep children and animals away from the work area, small parts could choke if swallowed.
- Make sure you have enough space to layout the parts before starting.

- Do not stand or put weight on this product during assembly, this could cause damage.
- Assemble the item as close to its final position (in the same room) as possible.
- Assemble on a self level surface to avoid damaging the unit or your floor.
- Parts of the assembly will be easier with 2 people.



- We do not recommend the use of power drill/drivers for inserting screws, as this could damage the unit. Only use hand screwdrivers.

- Dispose of all packaging carefully and responsibly.

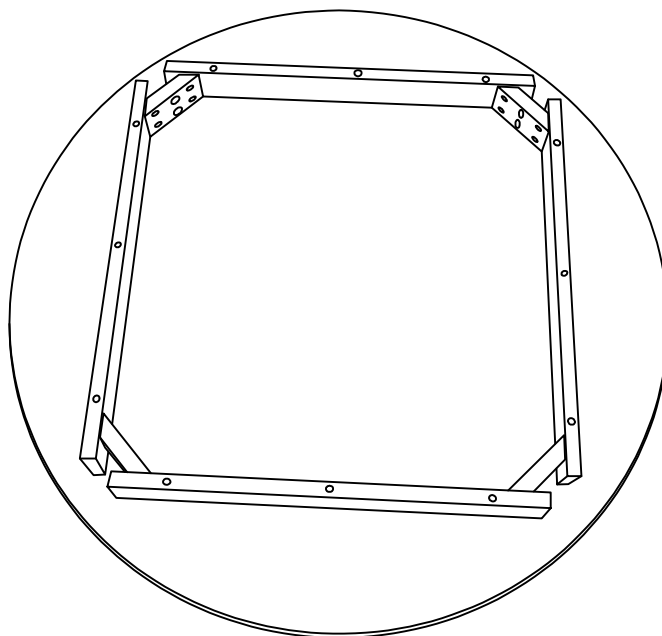
Care and maintenance

- Only clean using a damp cloth and mild detergent, do not use bleach or abrasive cleaners.
- From time to time check that there are no loose screws on this unit.
- This product should not be discarded with household waste. Take to your local authority waste disposal centre.

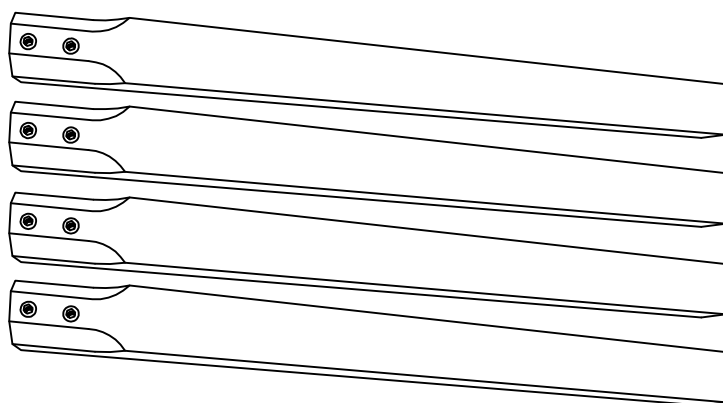
Components - Panels

If you have damaged or missing components, call the Customer Helpline : 0845 6400 800

Please check you have all the panels listed below



1 Table Top (Ø90 X 8 cm)

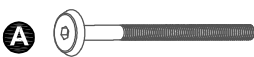


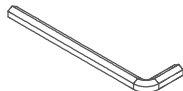


2 Table Leg x 4 (5.1 X 73.5 cm)

Components - Fittings

Please check you have all the fittings listed below

Note : The quantities below are the correct amount to complete the assembly. In some cases more fittings may be supplied that are required.

 <p>A M6x55 mm Bolt x 8</p>	 <p>B Ø18x1mm Washer x 8</p>	 <p>C Ø11x1.5mm Spring Washer x 8</p>
 <p>D 4mm Hex Key x 1</p>		

Tools required

Ruler - use this to help correctly identify the screws



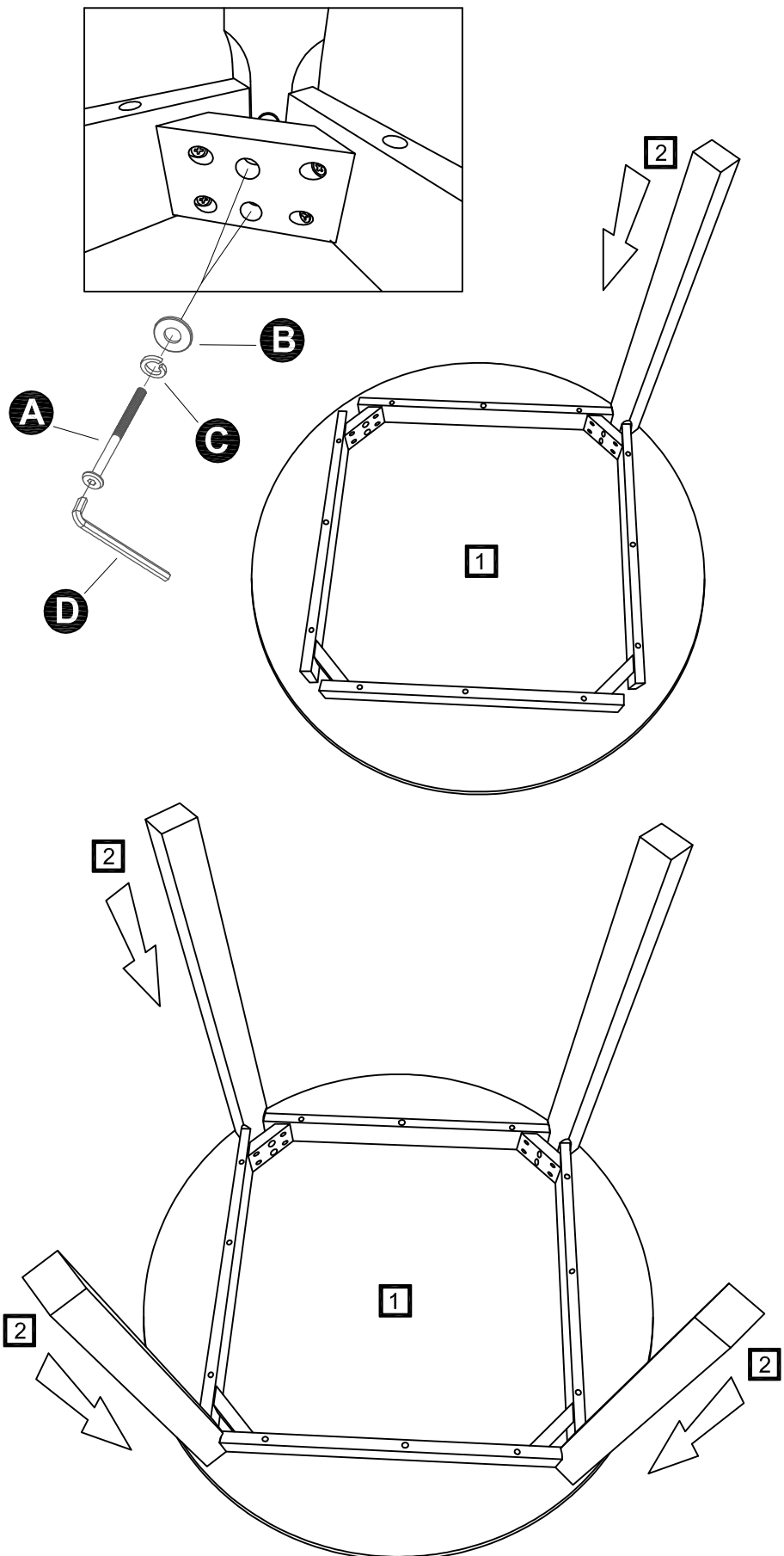
Assembly Instructions

Step 1

Attaching legs

a: Position a leg **2** at one corner at the table.

b: Fasten the leg **2** to the table top **1** with bolt **A**, spring washer **C** and washer **B**.



Repeat a and b with the remaining legs.

With help, turn the table over carefully.

Assembly is complete.