

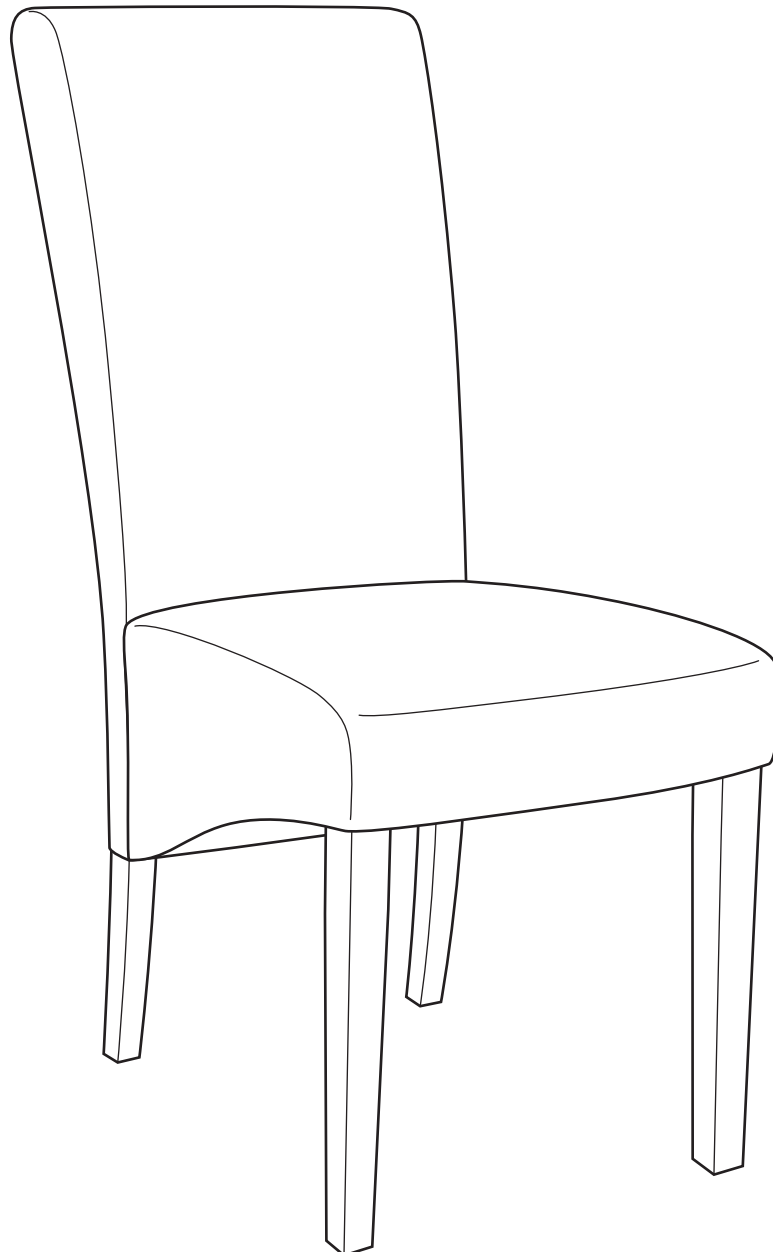
# Dining Chair

Assembly Instructions - Please keep for future reference

603/1035

603/1059

603/1042



## Dimensions

Width - 44cm

Depth - 54cm

Height - 95cm

**Important - Please read these instructions fully before starting assembly**

If you need help or have damaged or missing parts, call the **Customer Helpline: 08456 400800**



# Safety and Care Advice

## Important - Please read these instructions fully before starting assembly

- Assemble this product on a flat surface.
- Assemble all parts loosely before tightening any bolts.
- Do not discard any of the packaging until you have checked that you have all the parts and the pack of fittings.

- Discard all extra fittings and keep fittings out of reach of children.
- Unit weight: 5.4kgs.
- Maximum safe weight of user: 110kgs.
- Retain Assembly Instructions for future reference.



- We do not recommend the use of power drill/drivers **for inserting screws**, as this could damage the unit. Only use hand screwdrivers.
- Dispose of all packaging carefully and responsibly.

## Warnings

- This product should only be used on firm, level ground.
- Make sure the legs remain in contact with the ground.
- Do not stand on the product.

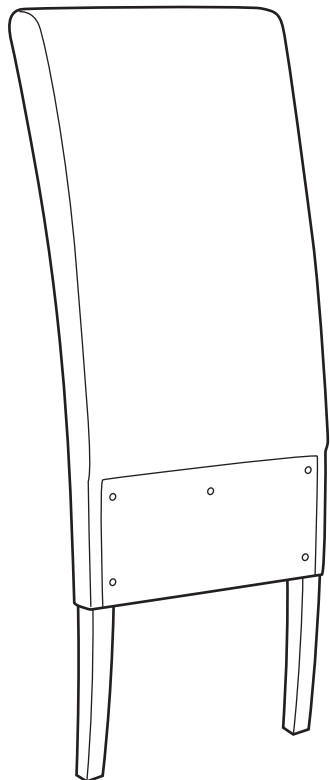
## Care and maintenance

- Please clean the unit surface using either damp (not wet) cloth and a mild domestic soap solution or by using an appropriate polish.
- Do not use any abrasive materials when cleaning.
- From time to time check that there are no loose bolts on this unit.

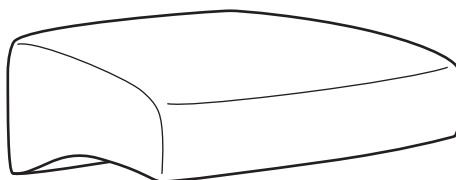
# Components - Parts

If you have damaged or missing components, call the **Customer Helpline: 08456 400800**

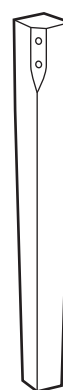
Please check you have all the parts listed below



**1** Backrest  
(36 x 10 x 95cm)



**2** Seat  
(43.5 x 41.5 x 17.5cm)

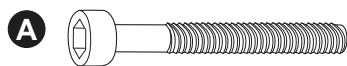


**3** Leg x 2  
(43 x 3 x 3cm)

# Components - Fittings

Please check you have all the fittings listed below

**Note:** The quantities below are the correct amount to complete the assembly. In some cases more fittings may be supplied than are required.



**A** M8 x 60mm Bolt x 9



**B** Spring washer x 9

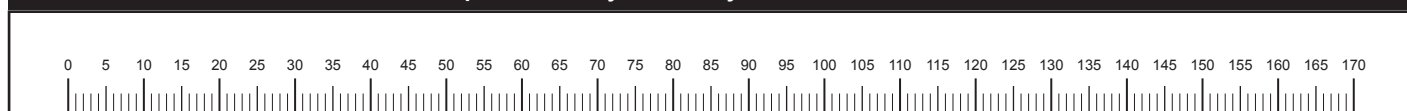


**C** Washer x 9



**D** Allen key x 1

**Ruler** - Use this ruler to help correctly identify the screws



# Assembly Instructions

## Step 1

### Attaching legs

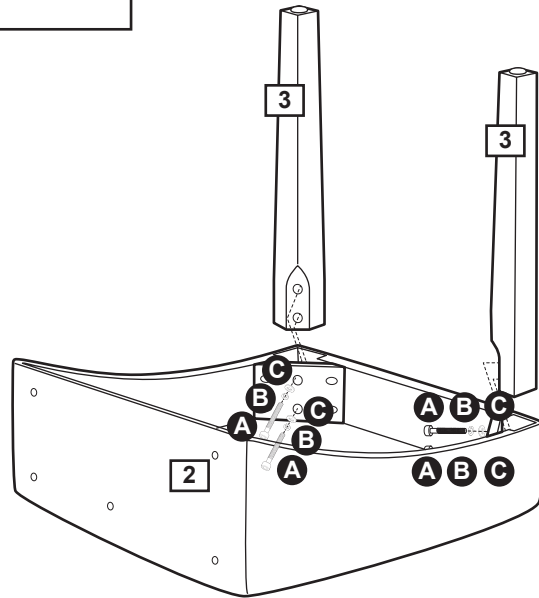
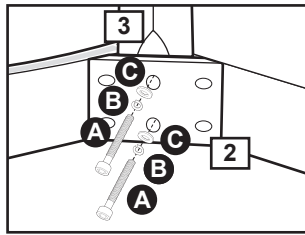
Place the seat **2** upside down on a flat protected surface.

Insert the legs **3** into the holes of the seat as shown and fix using bolts **A**, spring washer **B** and washers **C**.



**Important:**

Fasten bolts using allen key **D** but do not fully tighten at this stage.



## Step 2

### Attaching backrest

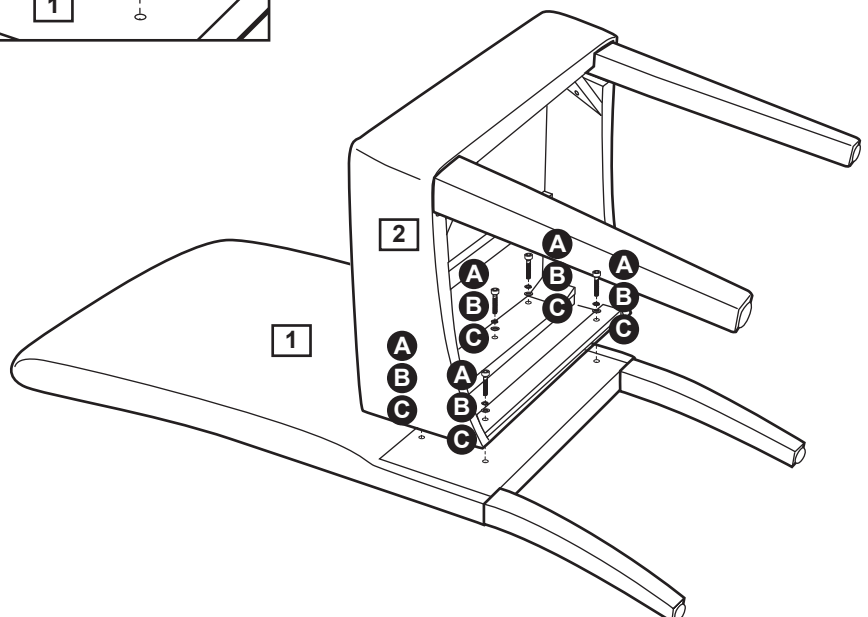
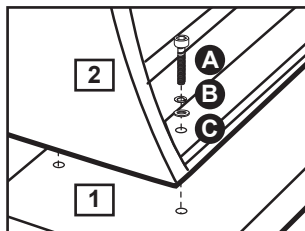
Place the backrest on a flat protected surface.

Position the seat **2** on the backrest **1** as shown and fix using bolts **A**, spring washers **B** and washers **C**.



**Important:**

Fasten bolts using allen key **D** but do not fully tighten at this stage.



# Assembly Instructions

## Step 3

### Aligning & securing the legs

Carefully turn the chair upright and place on a flat surface.

**a:** Tighten all bolts using allen key **D**.

**Note:** This step is essential to prevent the chair from wobbling due to uneven legs.

**b:** Carefully sit on the chair and make adjustments to ensure the legs are flat even on the floor.

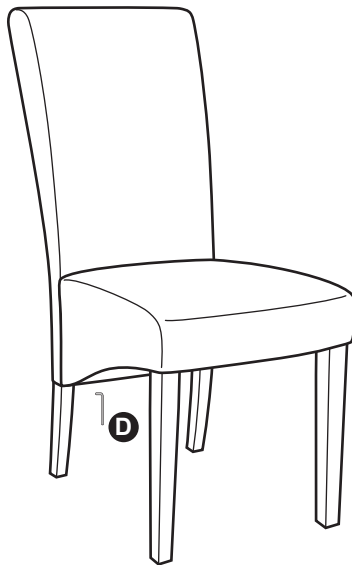
**c:** After the sitting test, re-tighten bolts again if any adjustment is needed.

**Note:** It is highly recommended to re-tighten all bolts after using the chair for 7 days.

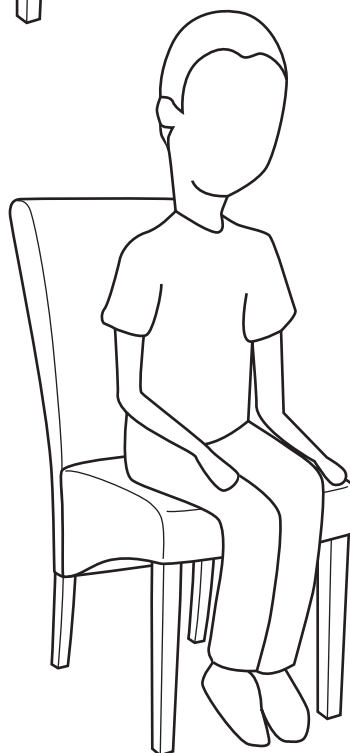
**Note:** Keep allen key to re-tighten bolts when required.

**Assembly is complete.**

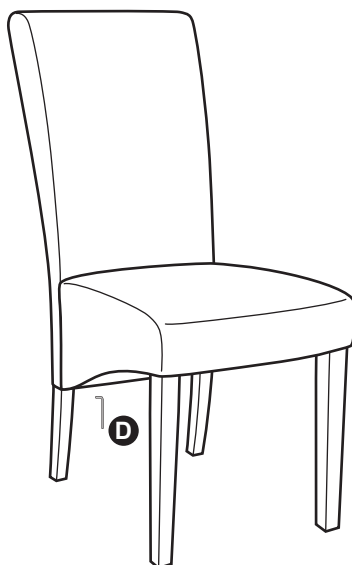
**a:**



**b:**



**c:**



If you need help or have damaged or missing parts, call the **Customer Helpline: 08456 400800**

# Dining Chair

Assembly Instructions - Please keep for future reference

603/7792

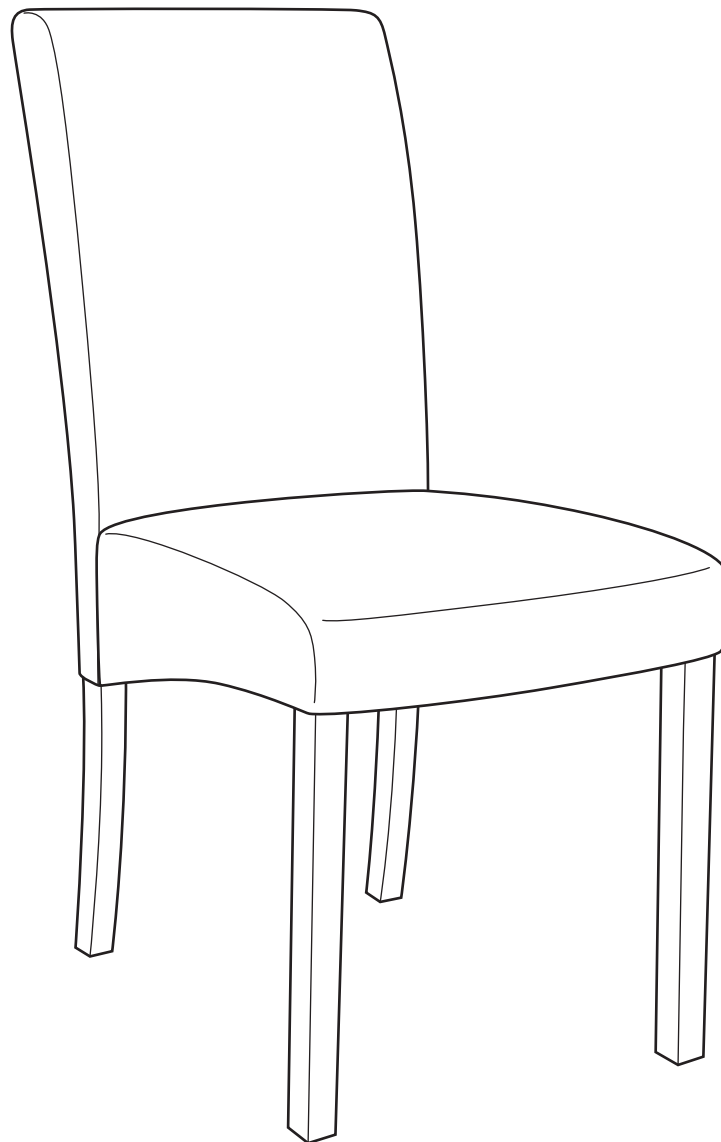
603/7826

603/1035

603/1059

603/1042

603/7802



## Dimensions

Width - 43.5cm

Depth - 56cm

Height - 95cm

**Important - Please read these instructions fully before starting assembly**

If you need help or have damaged or missing parts, call the **Customer Helpline: 08456 400800**



# Safety and Care Advice

## Important - Please read these instructions fully before starting assembly

- Assemble this product on a flat surface.
- Assemble all parts loosely before tightening any bolts.
- Do not discard any of the packaging until you have checked that you have all the parts and the pack of fittings.

- Discard all extra fittings and keep fittings out of reach of children.
- Unit weight: 5.2kgs.
- Maximum safe weight of user: 110kgs.
- Retain Assembly Instructions for future reference.



- We do not recommend the use of power drill/drivers **for inserting screws**, as this could damage the unit. Only use hand screwdrivers.
- Dispose of all packaging carefully and responsibly.

## Warnings

- This product should only be used on firm, level ground.
- Make sure the legs remain in contact with the ground.
- Do not stand on the product.

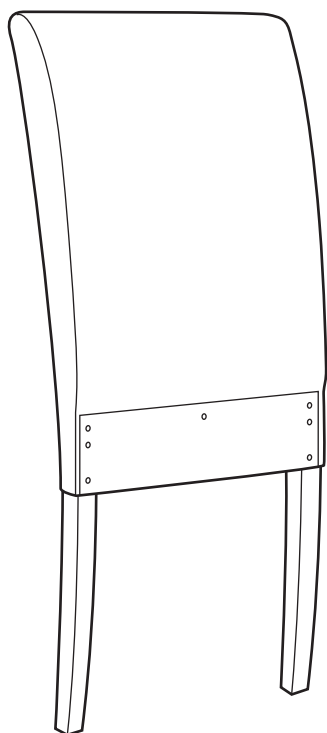
## Care and maintenance

- Please clean the product using either damp (not wet) cloth and a mild domestic soap solution or by using an appropriate polish.
- Do not use any abrasive materials when cleaning.
- From time to time check that there are no loose bolts on this unit.

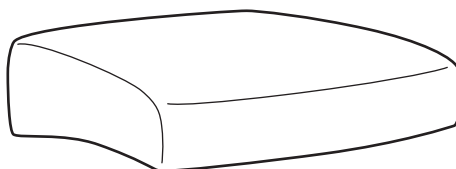
# Components - Parts

If you have damaged or missing components, call the **Customer Helpline: 08456 400800**

Please check you have all the parts listed below



**1** Backrest  
(36 x 10 x 95cm)



**2** Seat  
(43.5 x 41.5 x 17cm)

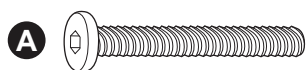


**3** Leg x 2  
(3 x 3 x 43cm)

# Components - Fittings

Please check you have all the fittings listed below

**Note:** The quantities below are the correct amount to complete the assembly. In some cases more fittings may be supplied than are required.



**A** M6 x 50mm Bolt x 11



**B** Spring washer x 11

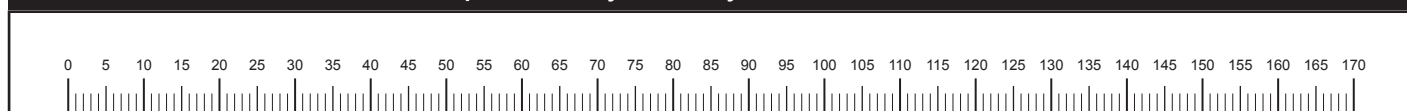


**C** Flat washer x 11



**D** Allen key x 1

**Ruler** - Use this ruler to help correctly identify the screws





# Assembly Instructions

## Step 1

### Attaching legs

Place the seat **2** upside down on a flat protected surface.

Insert the legs **3** into the holes of the seat as shown and fix using bolts **A**, spring washers **B** and washers **C**.

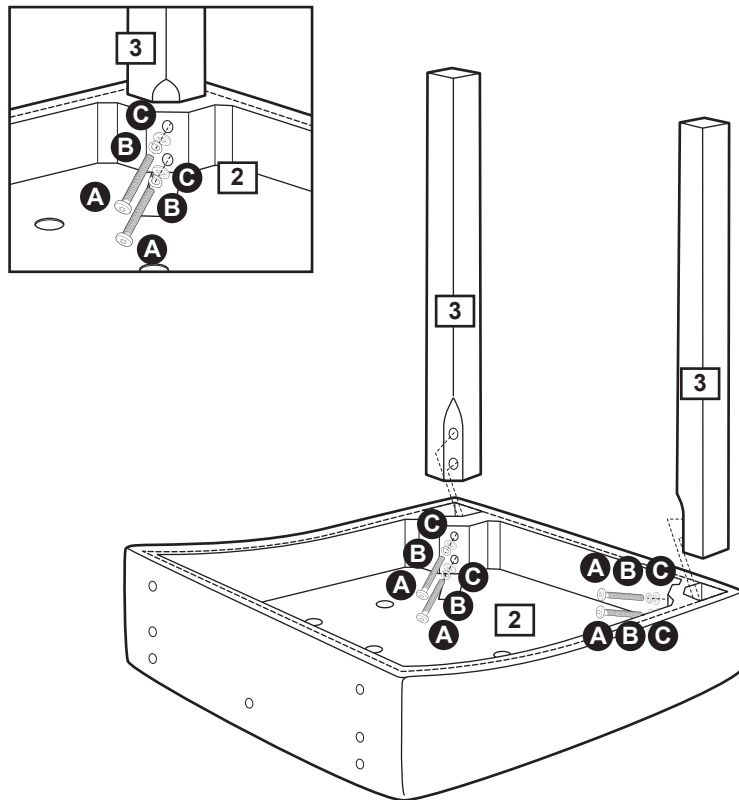


**Important:**

Fasten bolts using allen key **D** but do not fully tighten at this stage.

**Note:**

Use oval head of allen key **D** on tight angles.



## Step 2

### Attaching backrest

Place the backrest on a flat protected surface.

Position the seat **2** on the backrest **1** as shown and fix using bolts **A**, spring washers **B** and washers **C**.

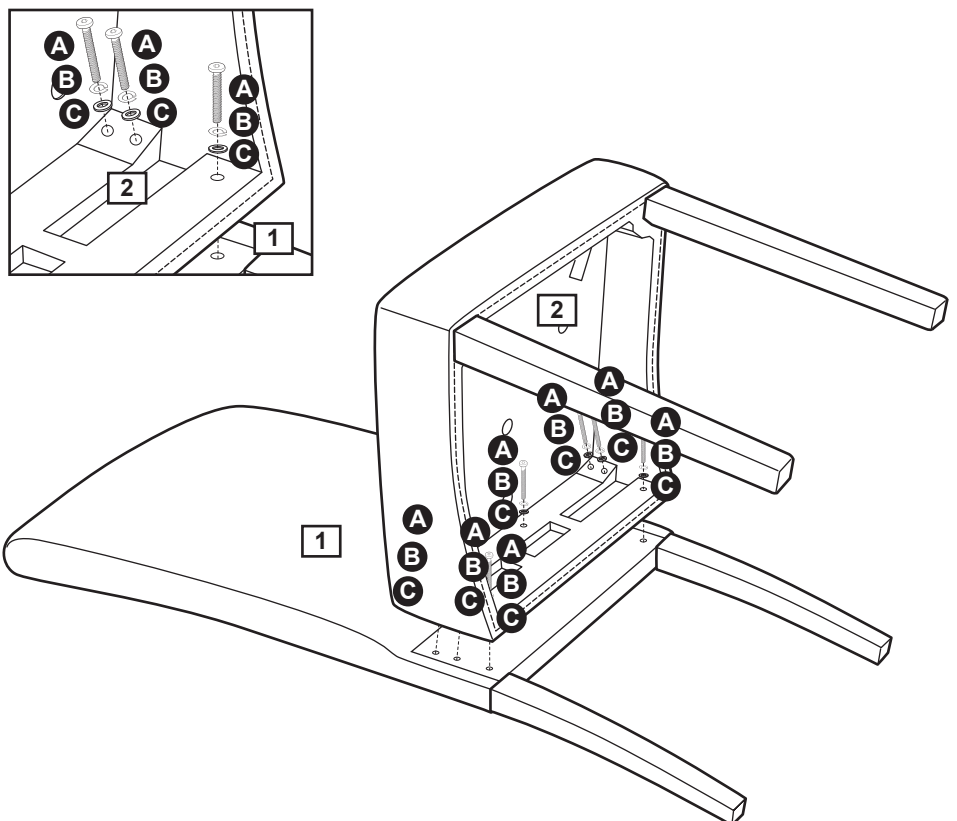


**Important:**

Fasten bolts using allen key **D** but do not fully tighten at this stage.

**Note:**

Use oval head of allen key **D** on tight angles.



# Assembly Instructions

## Step 3

### Aligning & securing the legs

Carefully turn the chair upright and place on a flat surface.

**a:** Tighten all bolts using allen key **D**.

**Note:** Use oval head of allen key **D** on tight angles.

**Note:** This step is essential to prevent the chair from wobbling due to uneven legs.

**b:** Carefully sit on the chair and make adjustments to ensure the legs are flat even on the floor.

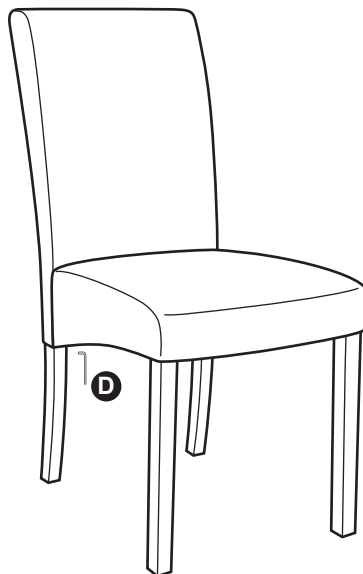
**c:** After the sitting test, re-tighten bolts again if any adjustment is needed.

**Note:** It is highly recommended to re-tighten all bolts after using the chair for 7 days.

**Note:** Keep allen key to re-tighten bolts when required.

**Assembly is complete.**

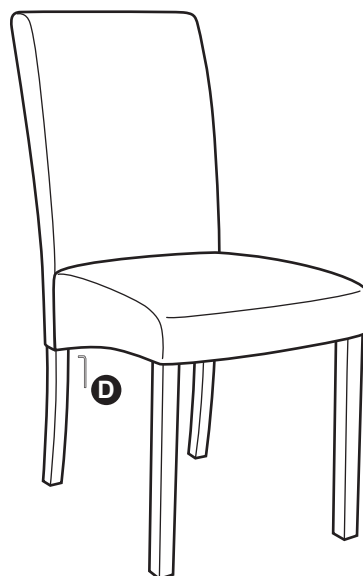
**a:**



**b:**



**c:**



If you need help or have damaged or missing parts, call the **Customer Helpline: 08456 400800**

# Dining Chair

Assembly Instructions - Please keep for future reference

603/1042

603/1059

603/1035

603/1767

603/1798

603/3923

603/3930

603/3947

603/3954

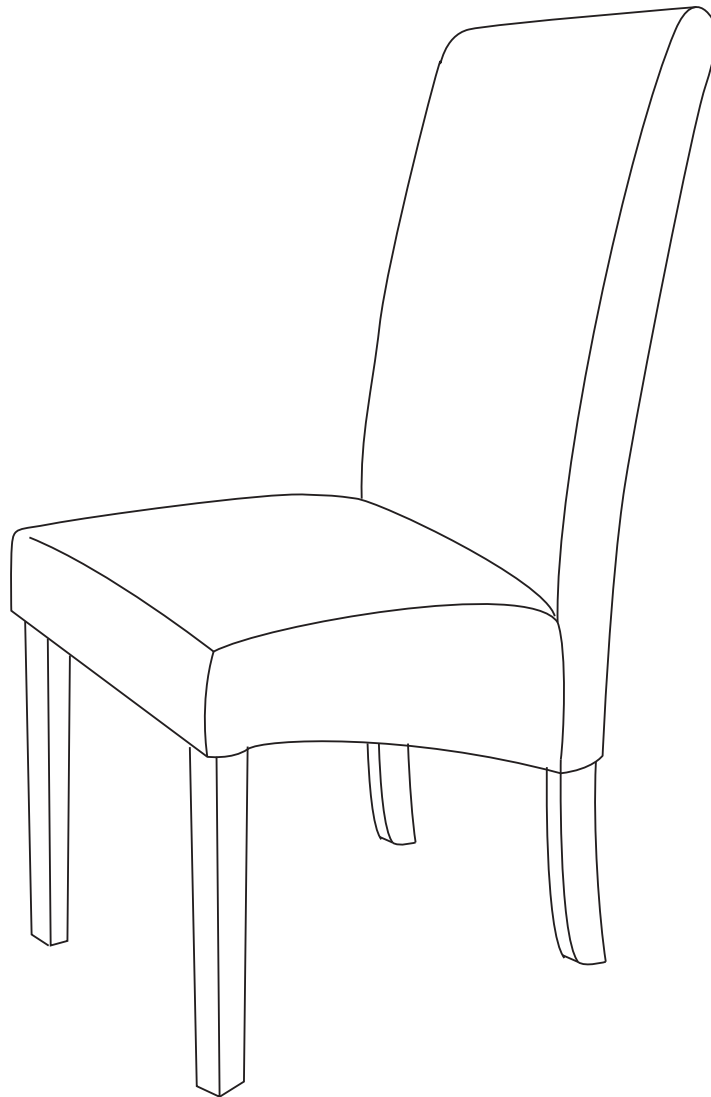
632/1161

632/1178

468657

1863916

1863909



## Dimensions

Width - 43.5cm

Deep - 55cm

Height - 96cm

**Important** Please read these instructions fully before starting assembly

If you need help or have damaged or missing parts, call the Customer Helpline: 0845 6400 800



# Safety and Care Advice

**Important** Please read these instructions fully before starting assembly

- Check you have all the components and tools listed on pages 2 and 3.
- Remove all fittings from the plastic bags and separate them into their groups.
- Keep children and animals away from the work area, small parts could choke if swallowed.
- Make sure you have enough space to layout the parts before starting.

- Do not stand or put weight on the product, this could cause damage.
- Assemble the item as close to its final position (in the same room) as possible.
- Assemble on a soft level surface to avoid damaging the unit or your floor.
- Parts of the assembly will be easier with 2 people.



• We do not recommend the use of power drill/drivers **for inserting screws**, as this could damage the unit. Only use hand screwdrivers.

- Dispose of all packaging carefully and responsibly.

## Care and maintenance

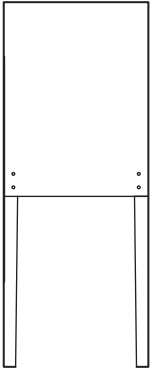
• Only clean using a damp cloth and mild detergent, do not use bleach or abrasive cleaners.

• From time to time check that there are no loose screws on this unit.

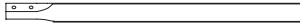
• This product should not be discarded with household waste. Take to your local authority waste disposal centre.

# Components Panels

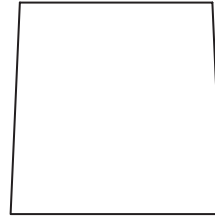
Please check you have all the panels listed below



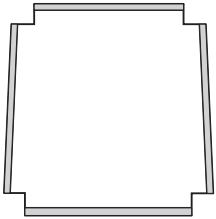
1 Back frame ( 3x6 6cm )



2 Leg x 23 x 24cm )



3 Box seat ( 4 x. 4 cm 5 )




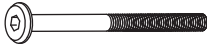


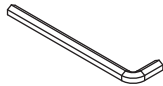
4 Dust Cover 40 x 45cm )

# Components - Fittings

If you have damaged or missing components, call the Customer Helpline: 0845 6400 800

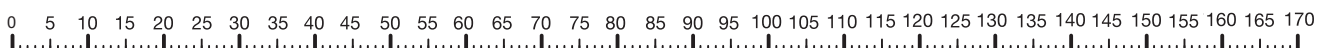
Please check you have all the fittings listed below

**Note:** The quantities below are the correct amount to complete the assembly. In some cases more fittings may be supplied than are required.

<p><b>A</b> </p> <p>M6x85mm Bolt x 8</p>	<p><b>B</b> </p> <p>M6x55mm Bolt x 10</p>	<p><b>C</b> </p> <p>Ø18x1mm Washer x 18</p>
<p><b>D</b> </p> <p>Ø11x1.5mm Spring washer x 16</p>	<p><b>E</b> </p> <p>4mm Hex Key x 1</p>	

Tools required

Ruler - Use this ruler to help correctly identify the screws

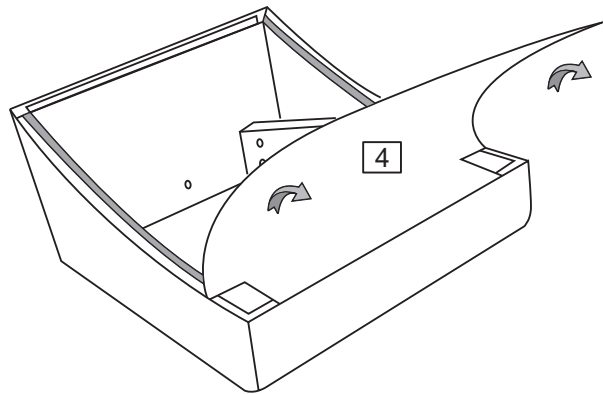


# Assembly Instructions

## Step 1

Dust Cover

Remove the dust cover **4**



## Step 2

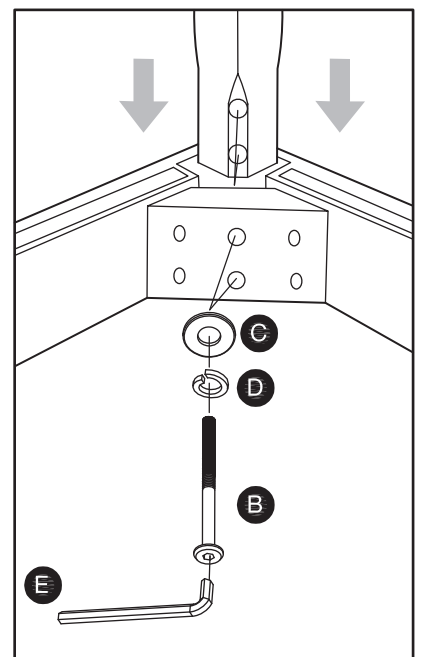
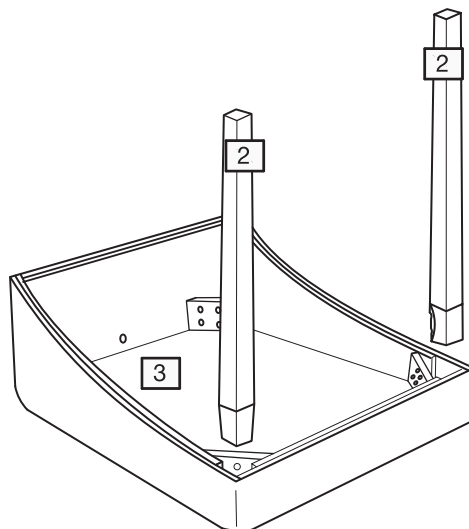
Fitting legs

Locate the corners of the box seat opposite to the center hole.

Insert the legs **2** into the corners of the box seat **3**.

Assemble bolts **B**, spring washers **D** and washers **C** through each corner block of the box seat **3** using hex key **E**.

Tighten the bolts.



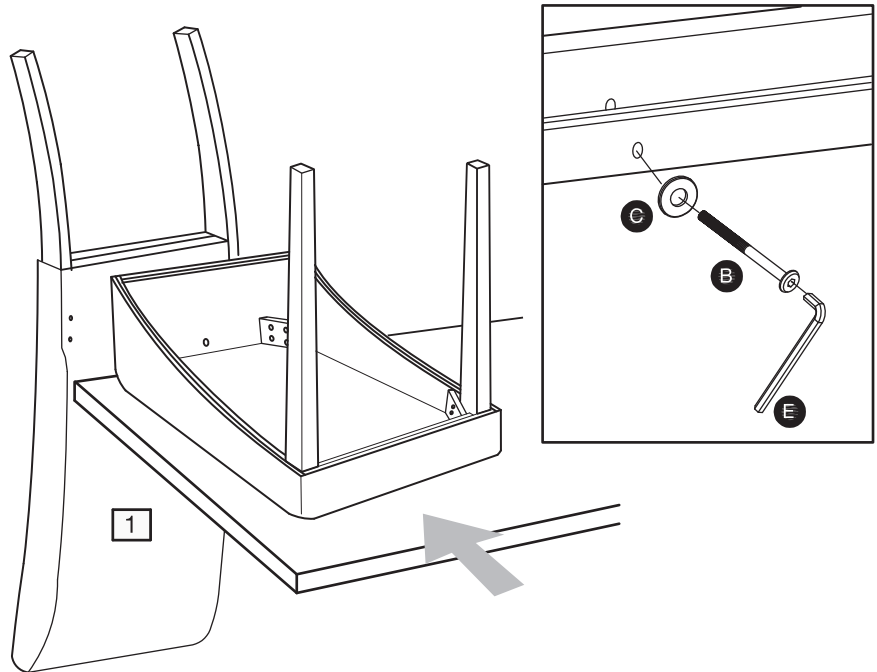
# Assembly Instructions

## Step 3

### Attaching back frame

Place the box seat **3** on the back frame **1**. Assemble the bolt **B** and washer **C** onto the back frame **1** using hex key **E**.

Do not tighten the bolts at this point.

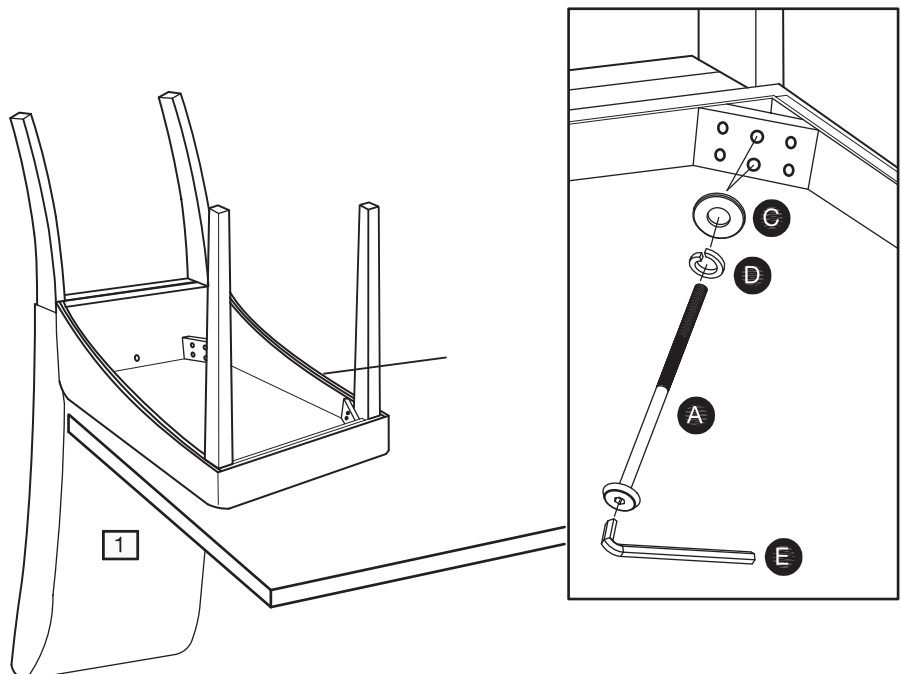


## Step 4

### Fitting bolts

Assemble bolts **A**, spring washers **D** and washers **C** through each corner block of the box seat **3** to the back frame

Do not tighten the bolts at this point in time.





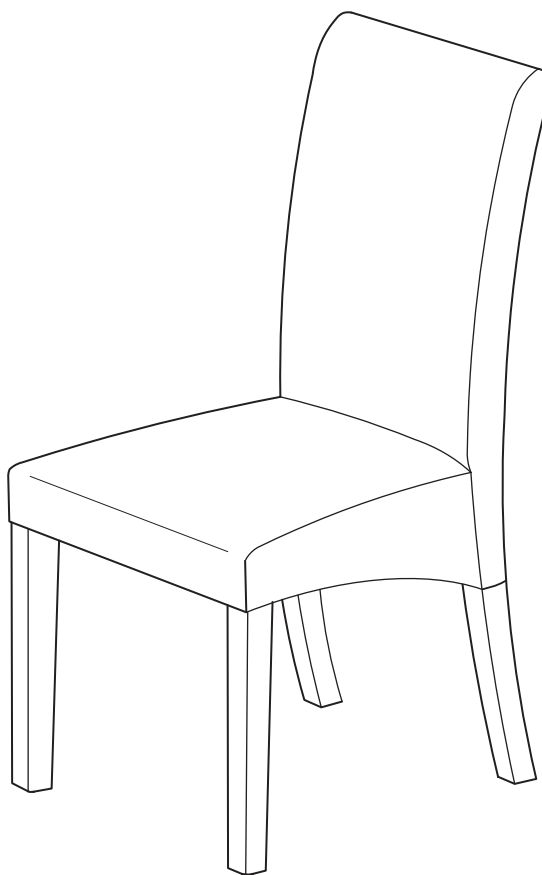
# Assembly Instructions

## Step 5

Carefully turn the chair over, and put the chair on the floor

## Step 6

Tighten each loose bolt a little at a time while making sure the chair remains level. Repeat until all loose bolts are tight.

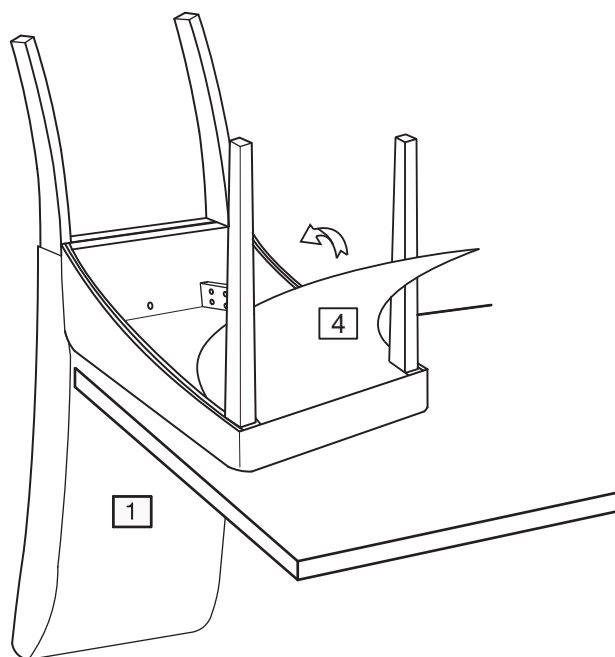


## Step 7

Attach back the dust cover

4

Repeat with remaining chairs.

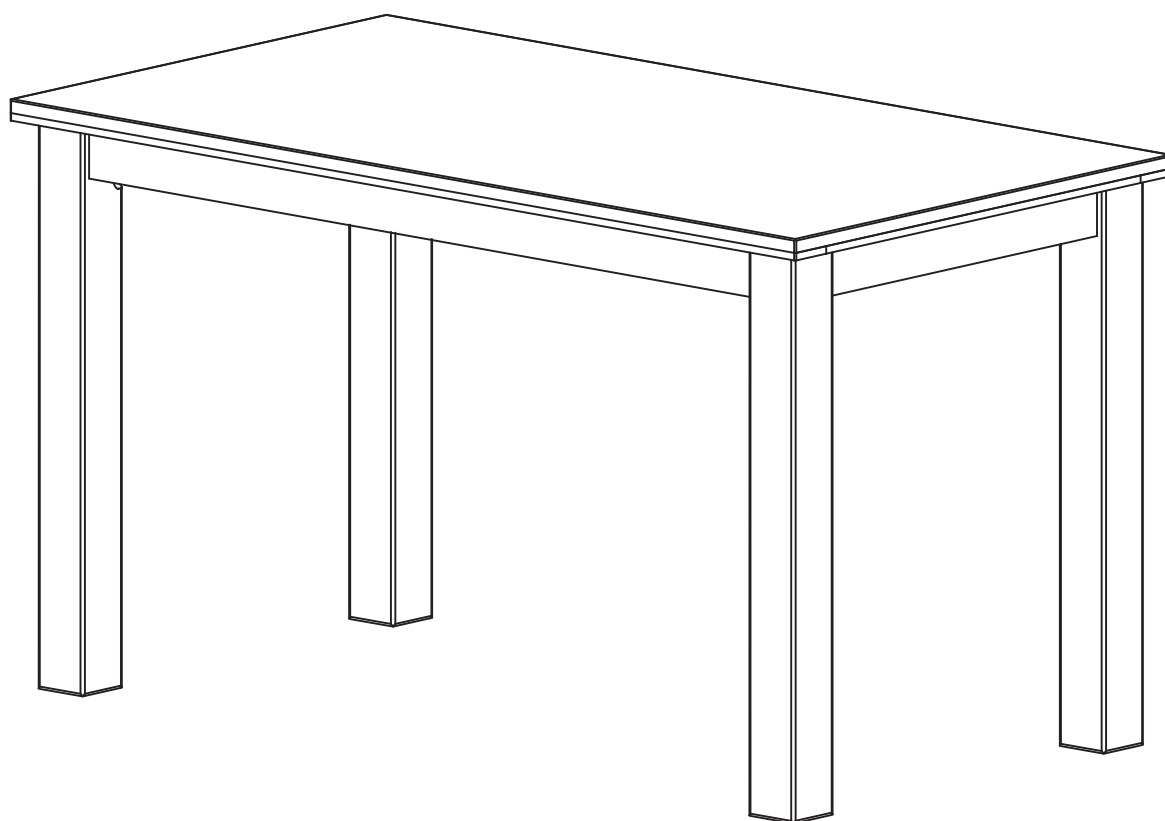


# Wow Madison Table

Assembly Instructions - Please keep for future reference

633/2033

633/3362



## Dimensions

Length - 120cm

Width - 73cm

Height - 75cm

**Important** – Please read these instructions fully before starting assembly

If you need help or have damaged or missing parts, call the **Customer Helpline: 0845 640 0800**



# Safety and Care Advice

## Important – Please read these instructions fully before starting assembly

- Check you have all the components and tools listed on pages 2 and 3.
- Remove all fittings from the plastic bags and separate them into their groups.
- Keep children and animals away from the work area, small parts could choke if swallowed.
- Make sure you have enough space to layout the parts before starting.

- Do not stand or put weight on the product during assembly, this could cause damage.
- Assemble the item as close to its final position (in the same room) as possible.
- Assemble on a soft level surface to avoid damaging the unit or your floor.
- Parts of the assembly will be easier with 2 people.



• We do not recommend the use of power drill/drivers **for inserting screws**, as this could damage the unit. Only use hand screwdrivers.

- Dispose of all packaging carefully and responsibly.

## Care and maintenance

- Only clean using a damp cloth and mild detergent, do not use bleach or abrasive cleaners.

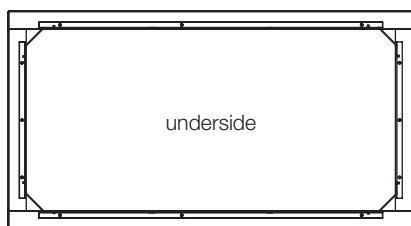
- From time to time check that there are no loose screws on this unit.

- This product should not be discarded with household waste. Take to your local authority waste disposal centre.

# Components - Panels

If you have damaged or missing components, call the **Customer Helpline: 0845 640 0800**

Please check you have all the panels listed below






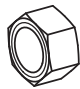

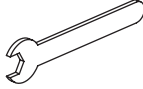
**2** Leg x 4 (6.5 x 72.2cm)

**1** Top (120 x 73cm)

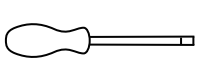
# Components - Fittings

Please check you have all the fittings listed below

**Note:** The quantities below are the correct amount to complete the assembly. In some cases more fittings may be supplied than are required.

<p><b>A</b> </p> <p>70mm Bolt x 8</p>	<p><b>B</b> </p> <p>Assembly bolt x 4</p>	<p><b>C</b> </p> <p>Washer x 8</p>
<p><b>D</b> </p> <p>13mm Nut x 8</p>	<p><b>E</b> </p> <p>Spring washer x 8</p>	<p><b>F</b> </p> <p>13mm Spanner x 1</p>

## Tools required

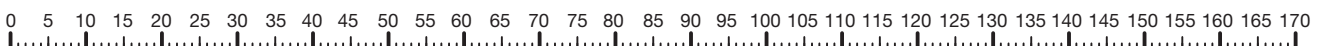


Phillips screwdriver  
(medium)



Ruler/tape  
measure

Ruler - Use this ruler to help correctly identify the screws



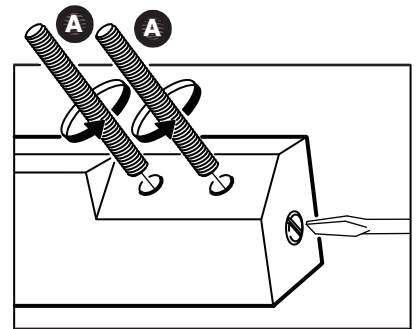
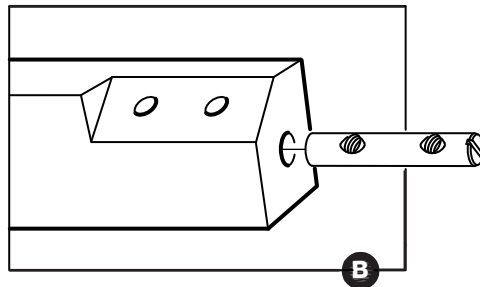
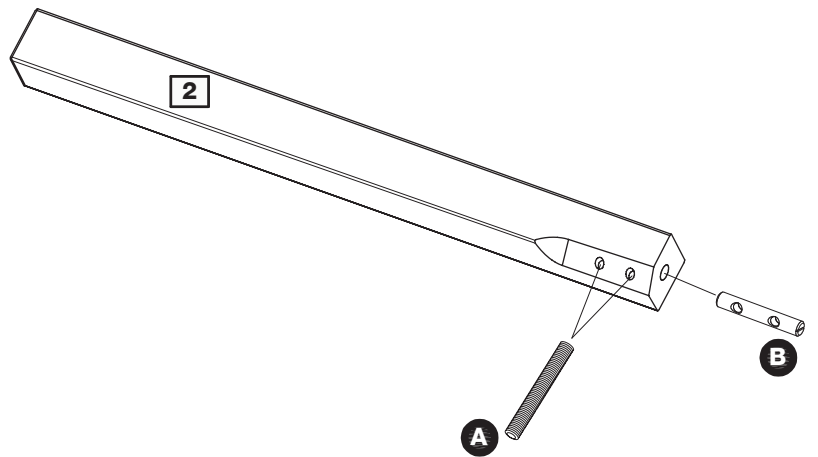
# Assembly Instructions

## Step 1

### Fitting bolts

Insert assembly bolt **B** into leg **2**. Screw bolts **A** into assembly bolt **B**.

Repeat with remaining legs **2**.



## Step 2

### Attaching legs

Attach the four pieces of legs **2** to top **1** using washer **C**, spring washer **E** and nut **D**. Tighten the bolts with spanner **F**.

With help, turn the table over carefully.

Assembly is complete.

