

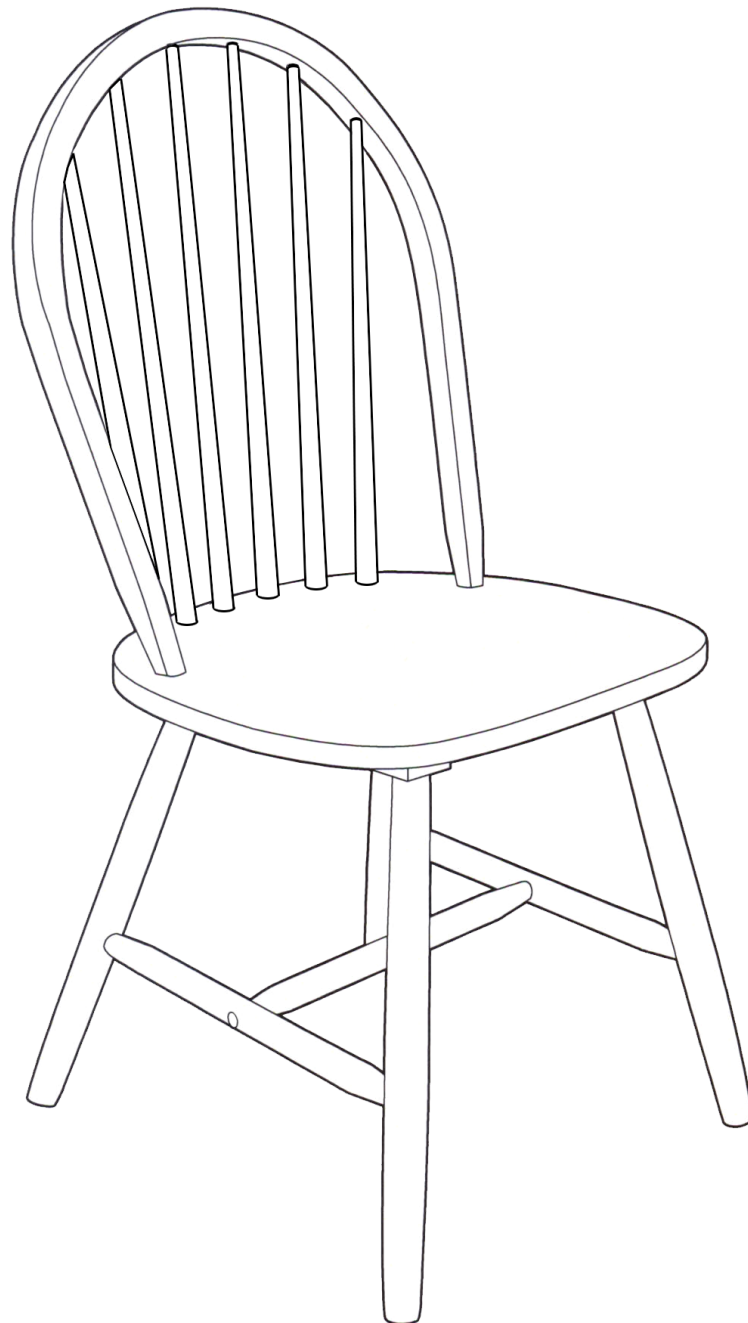
# Kentucky Chairs

Assembly Instructions - Please keep for future reference

107/8110

121/1173

138/1230



## Dimensions

Width - 46cm

Depth - 53.5cm

Height - 93cm

**Important - Please read these instructions fully before starting assembly**

If you need help or have damaged or missing parts, call the **Customer Helpline: 08456 400800**



# Safety and Care Advice

**Important – Please read these instructions fully before starting assembly**

- Keep these instructions for future use.
- Check you have all the components and tools listed on page 2 and 3.
- Do not stand or put excessive weight on the product, this could cause damage.
- Parts of the assembly will be easier with 2 people.
- Do not use this item if any components are missing or damaged.
- During assembly children should be kept away from the product due to possible risk of injury.
- Remove all fittings from the plastic bags and separate them into their groups.
- Dispose of all packaging carefully and responsibly.
- To ensure an easier assembly, we strongly advise that all fittings are only finger tightened during initial assembly. Only upon completion of the assembly should all fixing points be fully tightened.

## Solid wood / Real wood veneers

- This product has been finished using natural materials. As a living material, you may notice some variation in the grain and colour shade between the different components.
- Unlike a synthetic or man-made material which has a uniform finish, a feature of natural wood is its variation in grain and colour. We wish to reassure you that this is quite normal and is not the result of any manufacturing fault.
- Where sheets of wood are joined together, a line may be detected. Again, this is normal and is not an imperfection.
- The natural finish should be cared for by the periodic application of a good quality 'wax' based domestic furniture polish (Not silicone!!). Occasional / small spills should be removed immediately using a damp cloth.
- Do not allow hot articles to come into contact with the surface, as damage will occur!

## Care and maintenance

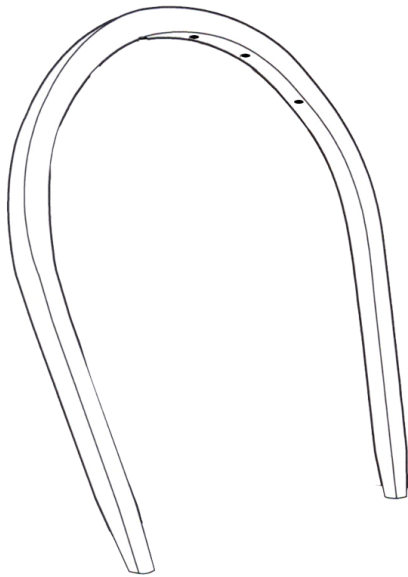
- Clean using a damp cloth or a proprietary domestic furniture polish. Do not use abrasive cleaners.
- This product should not be discarded with household waste. Take to your local authority waste disposal only.
- From time to time check that there are no loose screws on this unit.

# Components - Parts

If you have damaged or missing components,  
call the **Customer Helpline: 08456 400800**

Please check you have all the parts listed below

**Note:** Component parts listed below are required for one chair only.



**1** Chair Back (45.5 x 53 x 2.5cm)



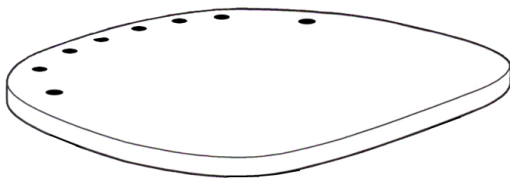
**2** Spindle x 2 (1.7 x 50.3cm)



**3** Spindle x 2 (1.7 x 48.5cm)



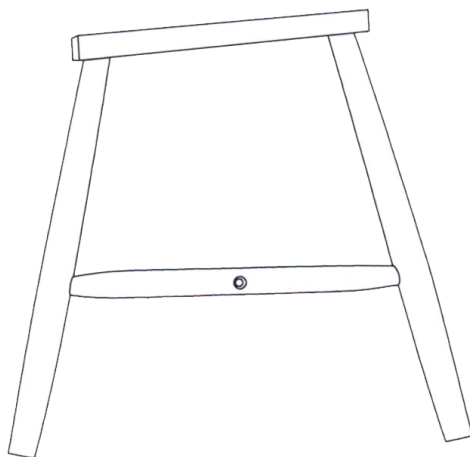
**4** Spindle x 2 (1.7 x 44cm)



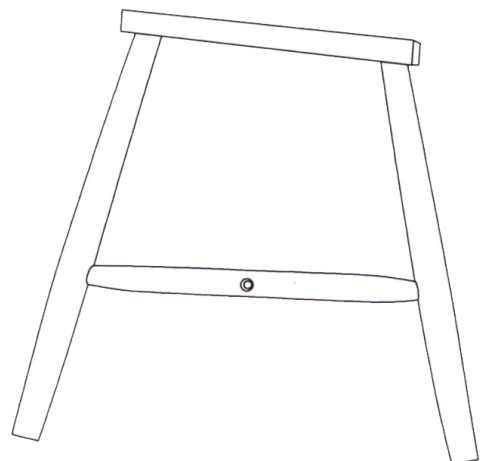
**5** Chair Seat (44 x 43 x 2cm)



**6** Cross bar(2.8 x 36cm)



**7** Left side frame (44 x 42cm)



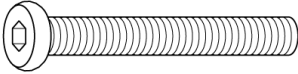
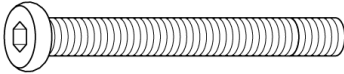
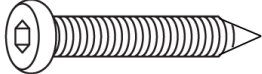



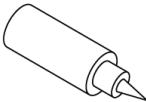

**8** Right side frame (44 x 42cm)

# Components - Fittings

If you have damaged or missing components, call the **Customer Helpline: 08456 400800**

Please check you have all the fittings listed below

**Note:** The quantities below are the correct amount to complete the assembly. In some cases more fittings may be supplied than are required.

<p><b>A</b></p>  <p>50mm Allen screw x 2</p>	<p><b>B</b></p>  <p>70mm Allen screw x 2</p>	<p><b>C</b></p>  <p>35mm Allen Screw x 6</p>
<p><b>D</b></p>  <p>Barrel Nut x 4</p>	<p><b>E</b></p>  <p>Wood plugs x 2</p>	<p><b>F</b></p>  <p>Metal Washer x 2</p>
<p><b>G</b></p>  <p>Glue x 1</p>	<p><b>H</b></p>  <p>Allen key x 1</p>	

## Tools required



Ruler/tape measure

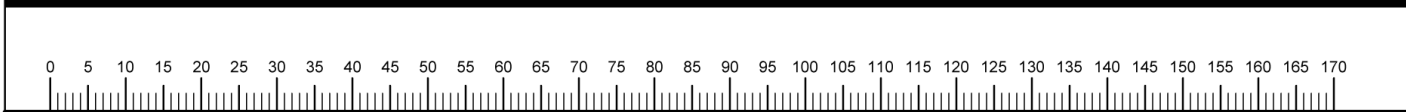


Phillips screwdriver (medium & large)



Flatblade screwdriver (medium)

**Ruler - Use this ruler to help correctly identify the screws**



# Assembly Instructions

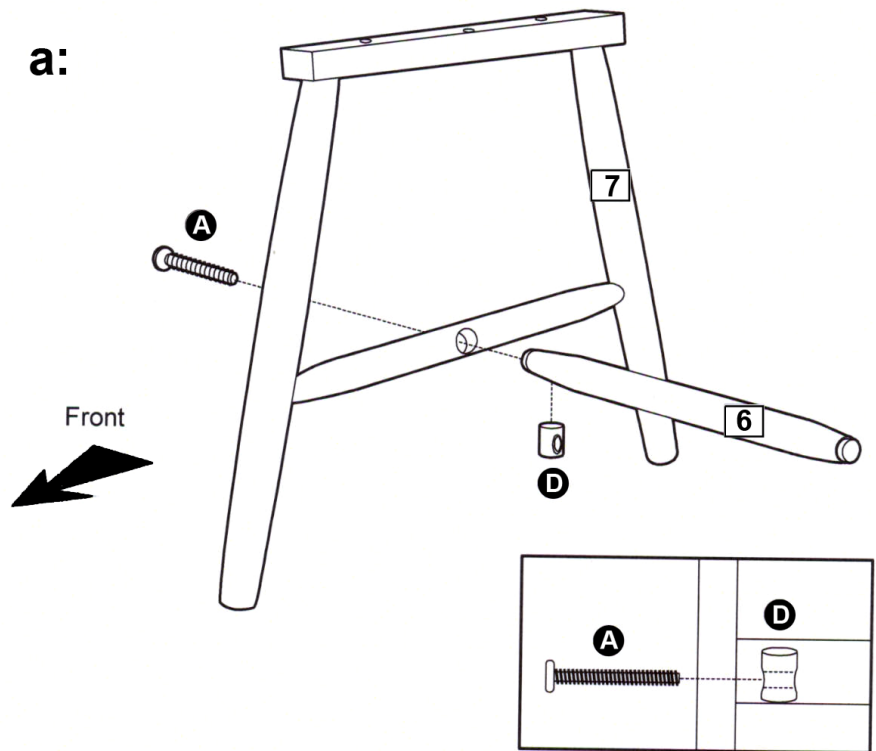
## Step 1

### Fitting the Side Frames

**a:** Insert Barrel nuts **D** into Cross bar **6**.

Use screws **A** to fix Cross bars **6** onto the Left side frame **7**.

**Note:** Insert Barrel nuts into the Cross bar taking care to align the screw holes.

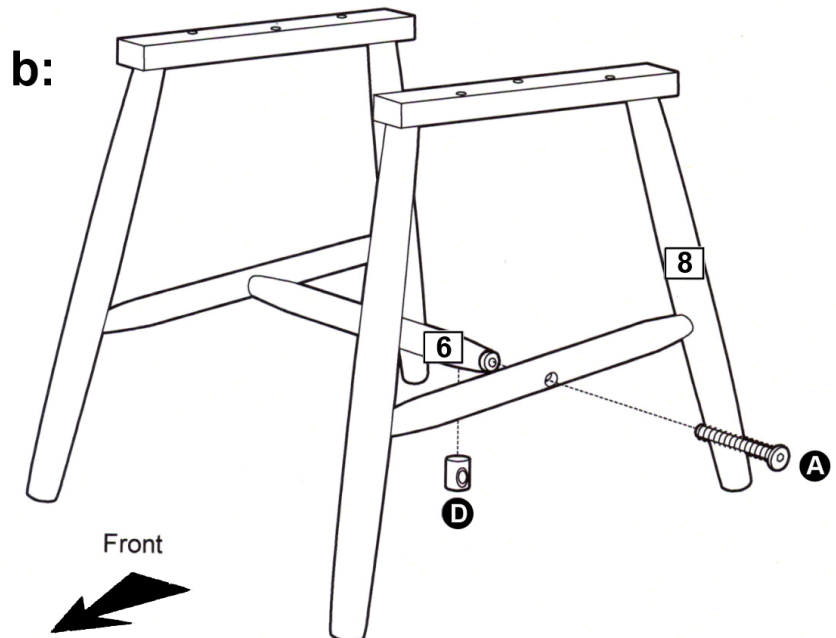


**b:** Insert Barrel nuts **D** into Cross bar **6**.

Use screws **A** to fix Right side frame **8** onto the unit.

**Note:** Insert Barrel nuts into the Cross bar taking care to align the screw holes.

**Note:** Do not fully tighten the screws at this moment.



# Assembly Instructions

## Step 2

### Assembling the Back and Seat

**a:** Liberally apply glue **G** to spindle holes in seatpad **5**.

Locate spindles **2**, **3** and **4** into spindle holes in seatpad **5** as shown.

**Note:** ensure the widest end of the spindles are located in the holes in seatpad **5**.

**Note:** wipe away excess surface glue before it dries.

**b:** Liberally apply glue to holes in chair back **1** and in seatpad **5**.

Carefully locate chair back **1** onto spindles **2**, **3** and **4** and into holes in seatpad **5** as shown.

**Note:** wipe away excess surface glue before it dries.

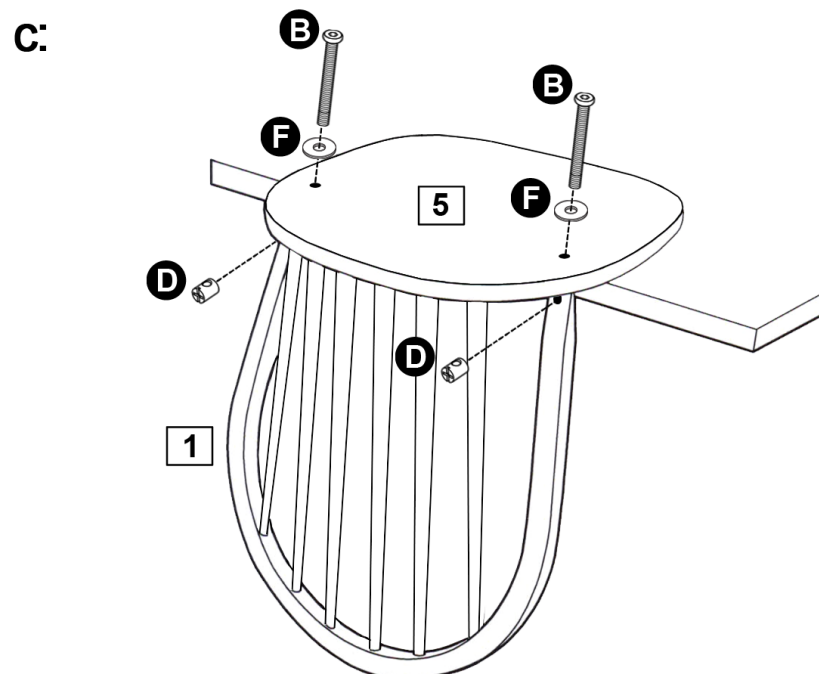
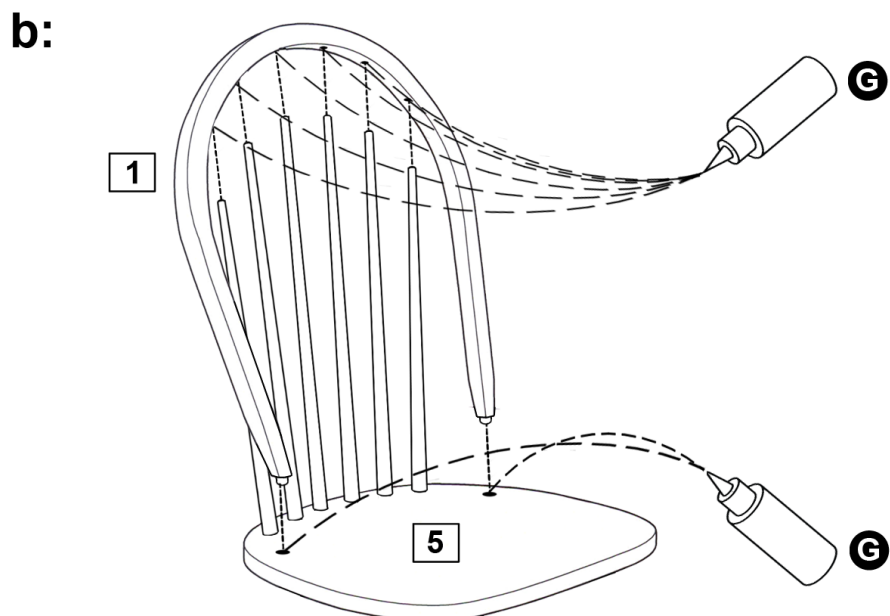
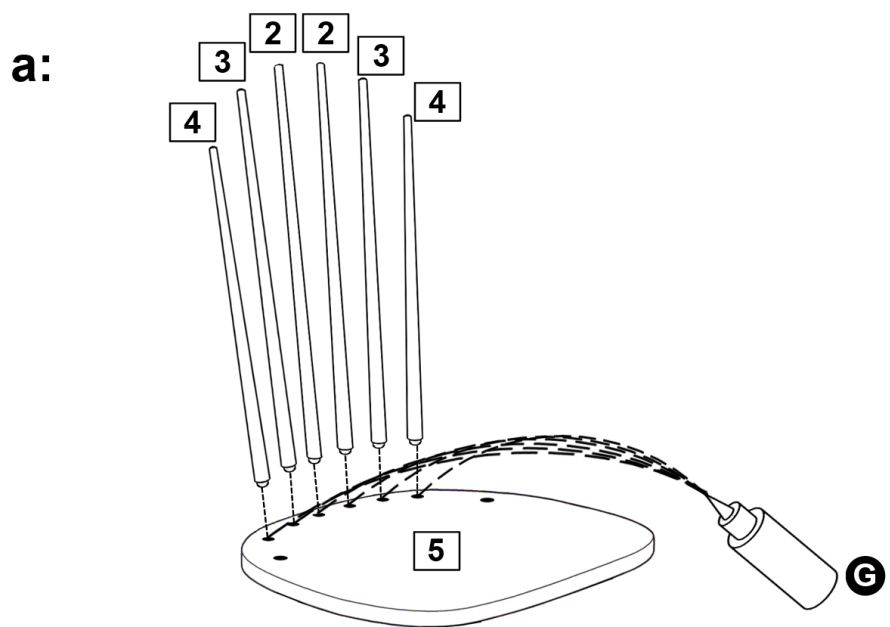
**c:** Holding everything in place, carefully turn the seat assembly upside down onto a clean flat surface.

Insert barrel nuts **D** into chair back **1**.

**Note:** Insert barrel nuts taking care to align the screw holes.

Use screws **B** and washers **F** to fix chair back **1** to seatpad **5**.

**Note:** fully tighten screws and wipe away excess glue before it dries.





# Assembly Instructions

## Step 3

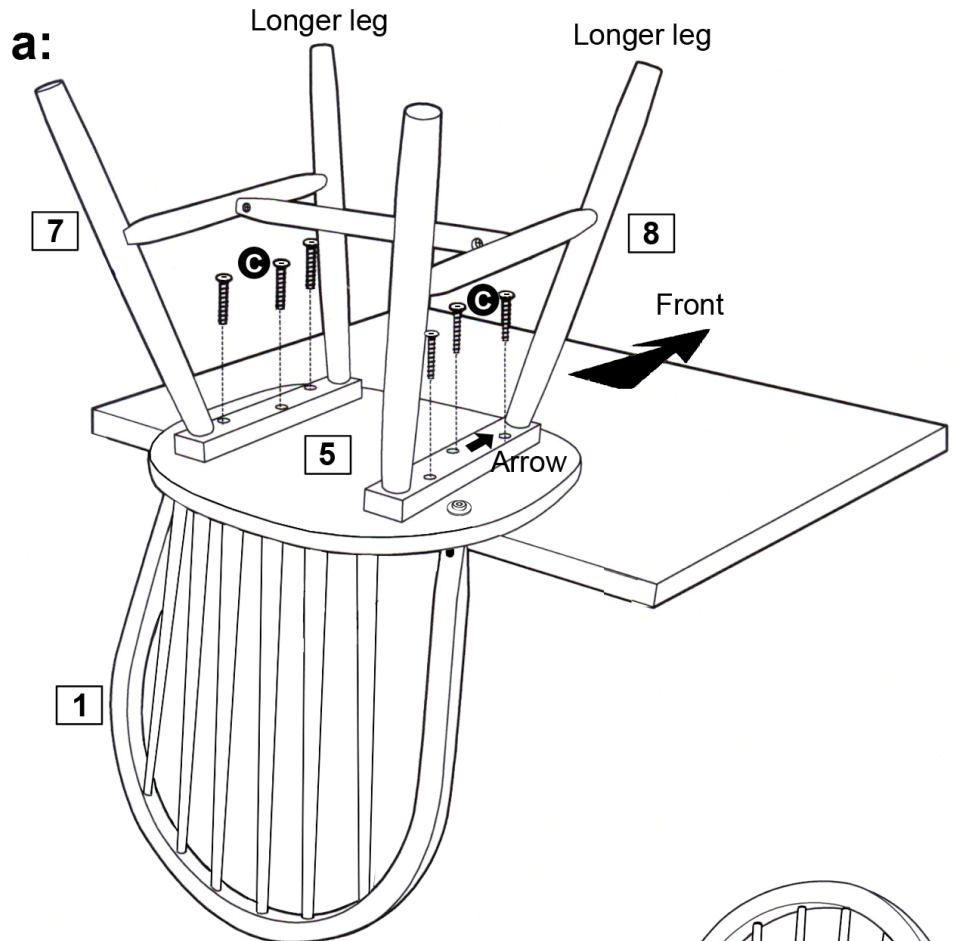
### Assembling the Chair seat and leg frame.

**a:** Place Chair seat upside down onto a clean flat surface (edge of table top).

Use screws **C** to fix the Chair seat **5** onto the side frames **7** and **8**.

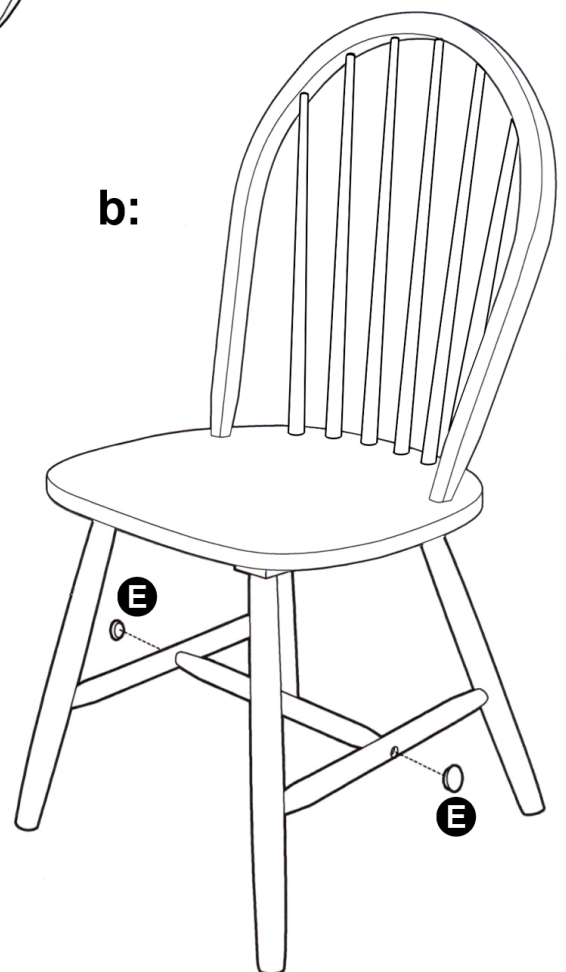
**Note:** Ensure the arrows on the under side of Left side frame **7** and Right side frame **8** are pointing towards the front edge of Chair seat **5**.

Fully tighten all screws now.



**b:** Use Wood plugs **E** to cover the screw holes.

**Note:** Once assembly is complete, please allow 12 hours for glue to dry before using chairs.



# Kentucky Extending Table

Assembly Instructions - Please keep for future reference

603/8234

603/8241

603/8430



## Dimensions

Width - 100/133cm

Depth - 100cm

Height - 76cm

**Important - Please read these instructions fully before starting assembly**

If you need help or have damaged or missing parts, call the **Customer Helpline: 08456 400800**





# Safety and Care Advice

**Important – Please read these instructions fully before starting assembly**

- Keep these instructions for future use.
- Check you have all the components and tools listed on page 2 and 3.
- Do not stand or put excessive weight on the product, this could cause damage.
- Parts of the assembly will be easier with 2 people.
- Do not use this item if any components are missing or damaged.
- During assembly children should be kept away from the product due to possible risk of injury.
- Remove all fittings from the plastic bags and separate them into their groups.
- Dispose of all packaging carefully and responsibly.
- To ensure an easier assembly, we strongly advise that all fittings are only finger tightened during initial assembly. Only upon completion of the assembly should all fixing points be fully tightened.

## Solid wood / Real wood veneers

- This product has been finished using natural materials. As a living material, you may notice some variation in the grain and colour shade between the different components.
- Unlike a synthetic or man-made material which has a uniform finish, a feature of natural wood is its variation in grain and colour. We wish to reassure you that this is quite normal and is not the result of any manufacturing fault.
- Where sheets of wood are joined together, a line may be detected. Again, this is normal and is not an imperfection.
- The natural finish should be cared for by the periodic application of a good quality 'wax' based domestic furniture polish (Not silicone!!). Occasional / small spills should be removed immediately using a damp cloth.
- Do not allow hot articles to come into contact with the surface, as damage will occur!

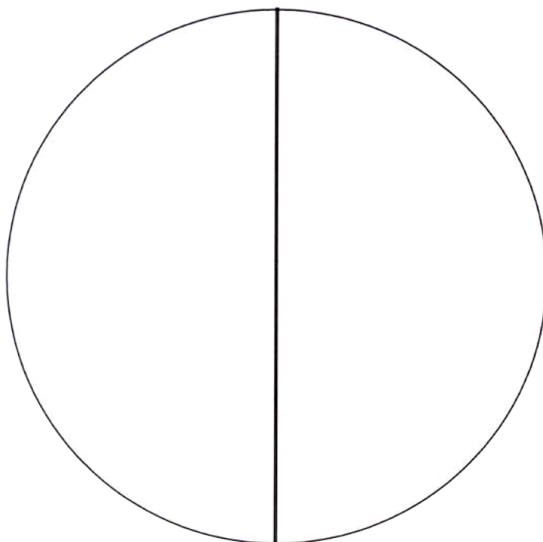
## Care and maintenance

- Clean using a damp cloth or a proprietary domestic furniture polish. Do not use abrasive cleaners.
- This product should not be discarded with household waste. Take to your local authority waste disposal only.
- From time to time check that there are no loose screws on this unit.

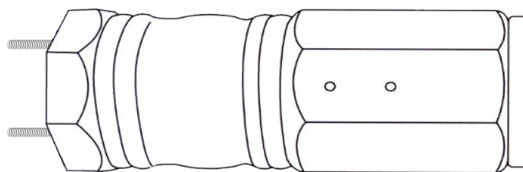
# Components - Parts

If you have damaged or missing components,  
call the **Customer Helpline: 08456 400800**

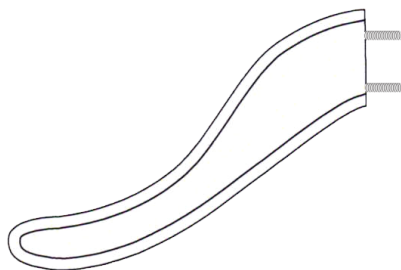
Please check you have all the parts listed below



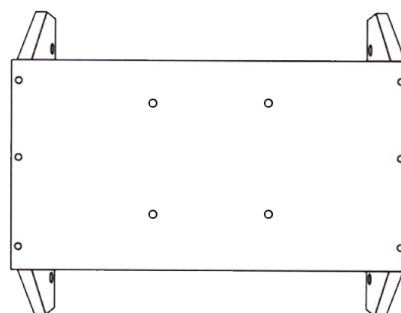
**1** Table top ( $\phi$  100cm)



**2** Empire leg( $\phi$  15.5 x 44cm)



**3** Table leg x 4 (29 x 34.25cm)



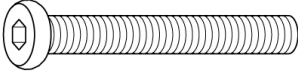
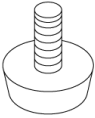



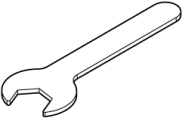
**4** Mounting Support (41.5 x 46.5cm)

# Components - Fittings

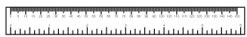
If you have damaged or missing components, call the **Customer Helpline: 08456 400800**

Please check you have all the fittings listed below

**Note:** The quantities below are the correct amount to complete the assembly. In some cases more fittings may be supplied than are required.

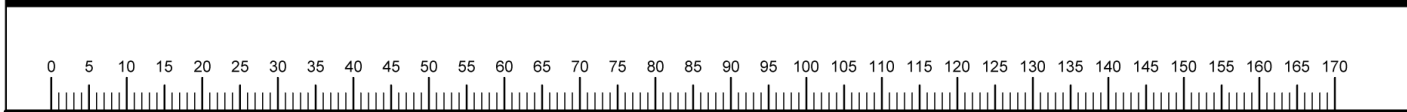
<b>A</b>  50mm Allen Screw x 6	<b>B</b>  Adjustable feet x 4	<b>C</b>  Nut x 12
<b>D</b>  Washer x 18	<b>E</b>  Allen key x 1	<b>F</b>  Spanner x 1

## Tools required



Ruler/tape  
measure

## Ruler - Use this ruler to help correctly identify the screws

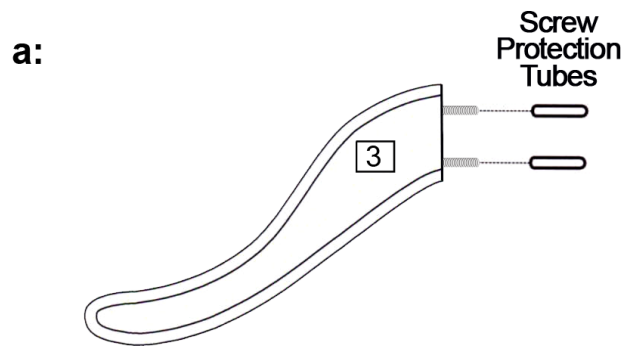


# Assembly Instructions

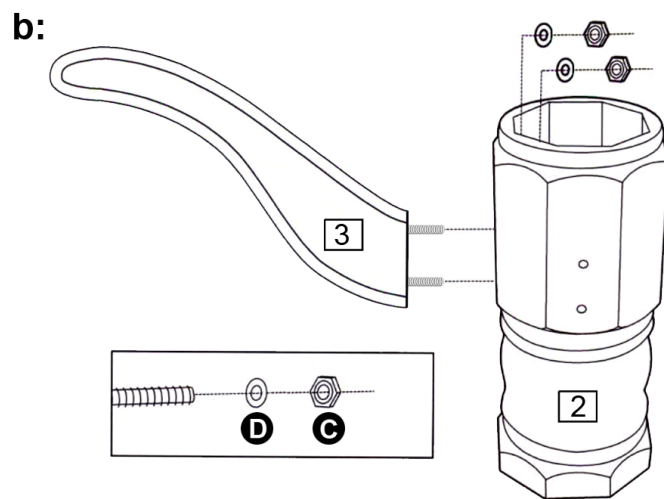
## Step 1

### Fitting the Empire leg

**a:** Remove the Screw Protection Tubes from Table legs **3**.

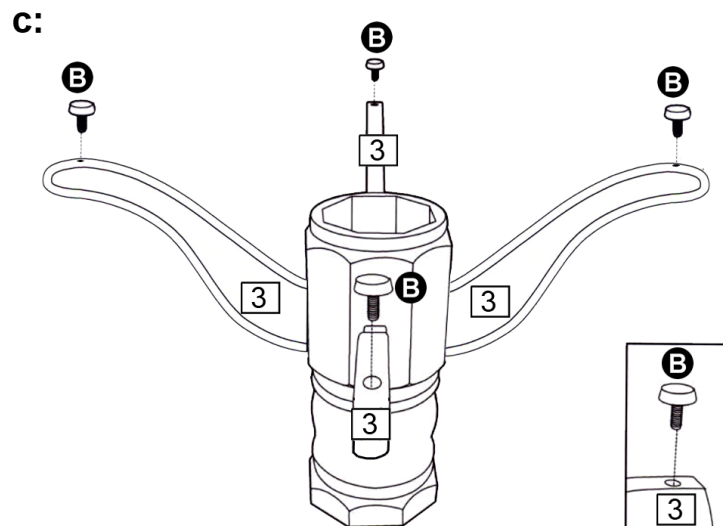


**b:** Use nut **C**, and washer **D** to fix Table leg **3** onto Empire leg **2**.



**c:** Use the same method to fix the other Table legs **3** onto the Empire leg **2**.

Screw adjustable feet **B** into the screw holes on the Table legs **3**.



# Assembly Instructions

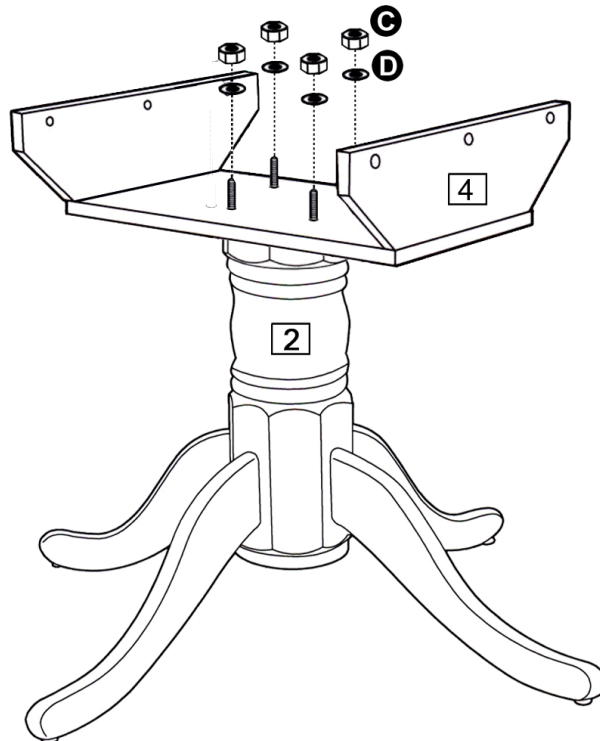
## Step 2

### Fitting the Mounting support

**Note:** It would be useful to ask someone to help you at this stage.

**a:** Use nut **C** and washer **D** to fix mounting support **4** on top of the Empire leg **2**.

**a:**

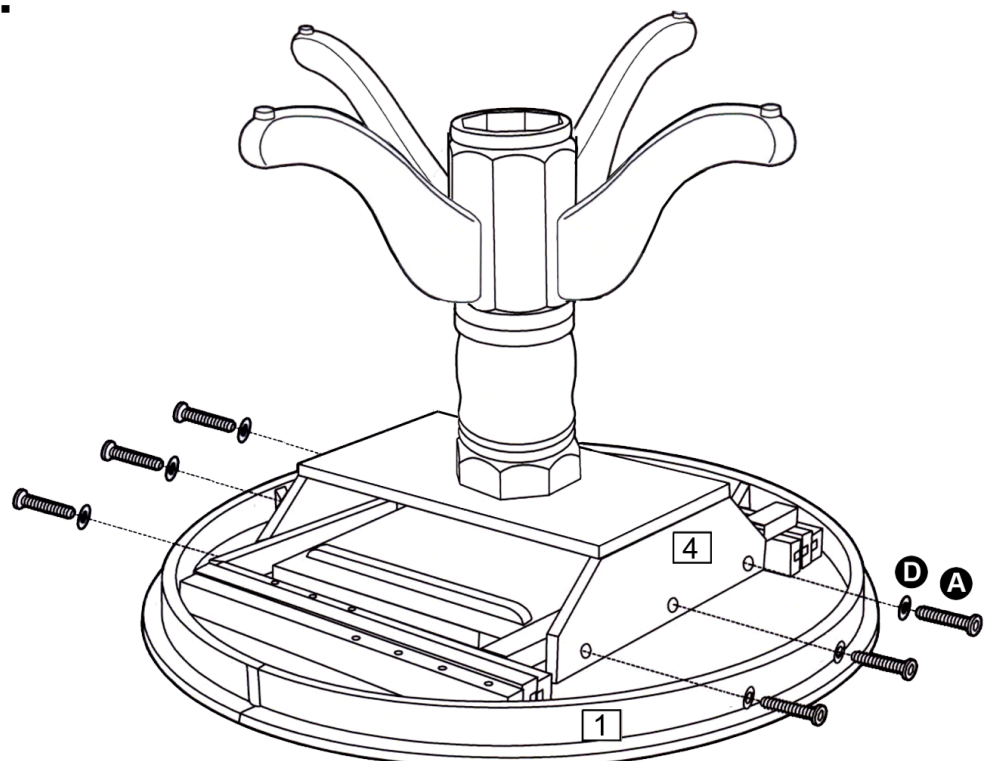


**b:** Place table top **1** upside down on the floor. Ensure you place on a carpet or protective cover to prevent the Table top from becoming scratched.

Use screws **A**, and washers **D** to fix Mounting support **4** onto Table top **1**.

**Note:** One more person is required to hold and lift up the leg for another person to align and fix the screws.

**b:**



# Assembly Instructions

## Step 3

### Finishing the unit

**Note:** It would be useful to ask someone to help you at this stage.

Carefully turn the unit up right.

With help, place the unit in the intended position.

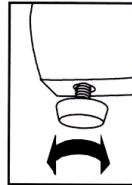
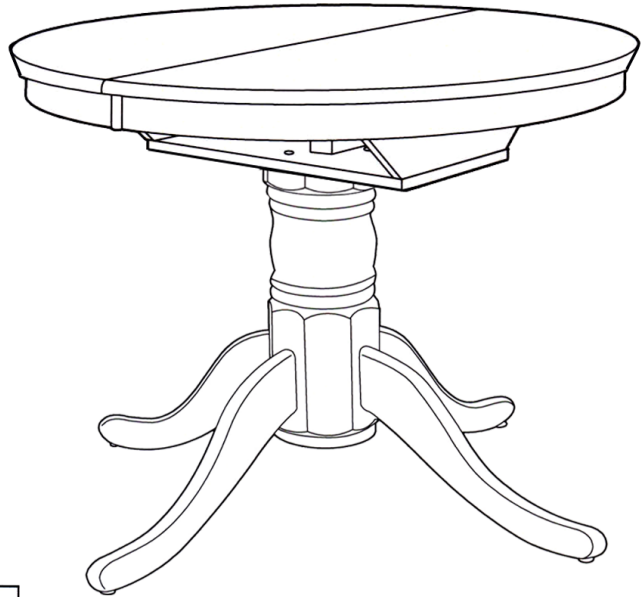
#### **Adjustable foot:**

If the Table is not on a perfectly flat surface it might wobble slightly.

Use the Adjustable Feet by screwing in or out slightly to prevent the table from wobbling.

**Note:** Before use always make sure the unit is secure.

**Assembly is complete.**



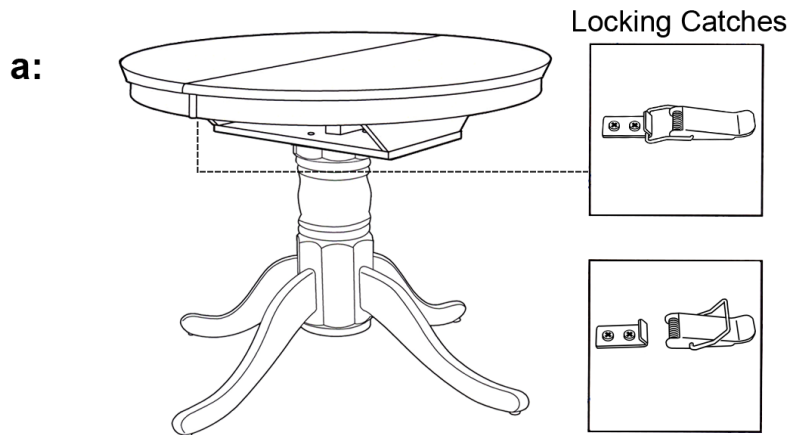
# Assembly Instructions

## Step 4

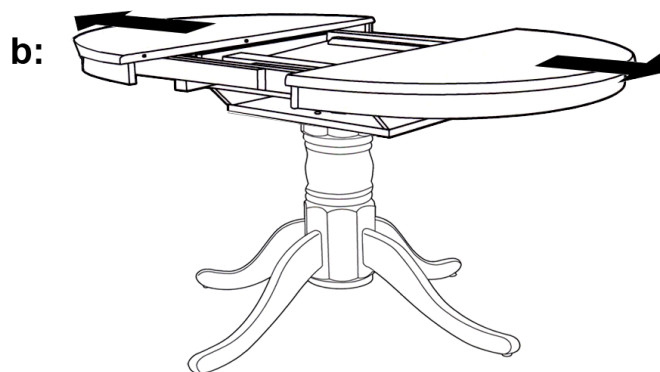
### Extending the Table

**Note:** It would be useful to ask someone to help you at this stage.

**a:** Release the Locking Catches on the underside of the table.

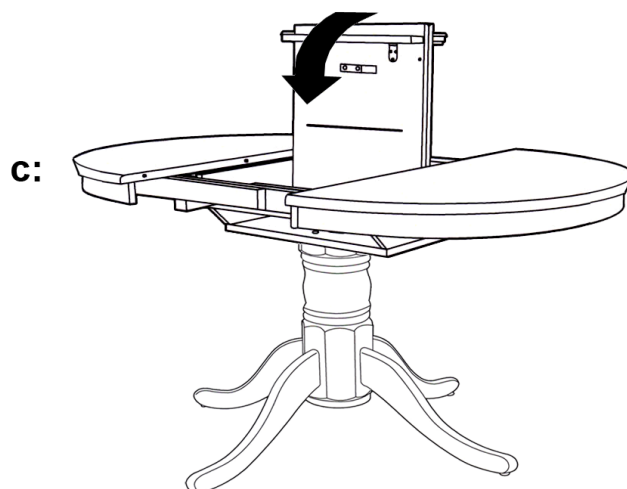


**b:** slide the leaves apart.



**c:** Carefully lift the Table Extension up with 2 hands.

**Caution:** Be careful of entrapment of your hands and fingers when folding and unfolding the Table Extension.



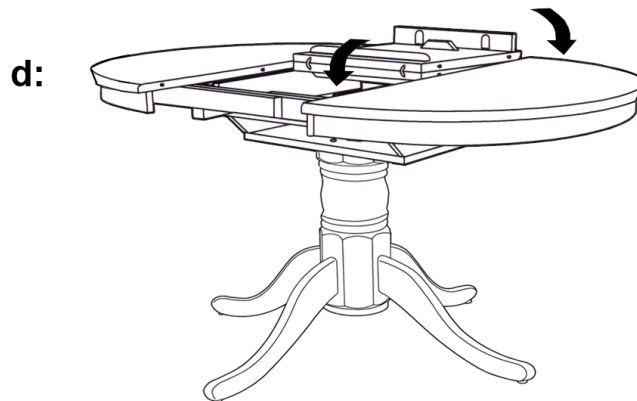
Continued on next page.



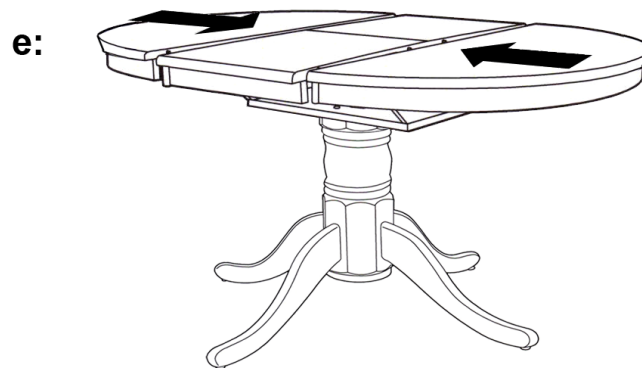
# Assembly Instructions

## Step 4 - continued

**d:** Carefully fold out the two extension halves and fit into place.

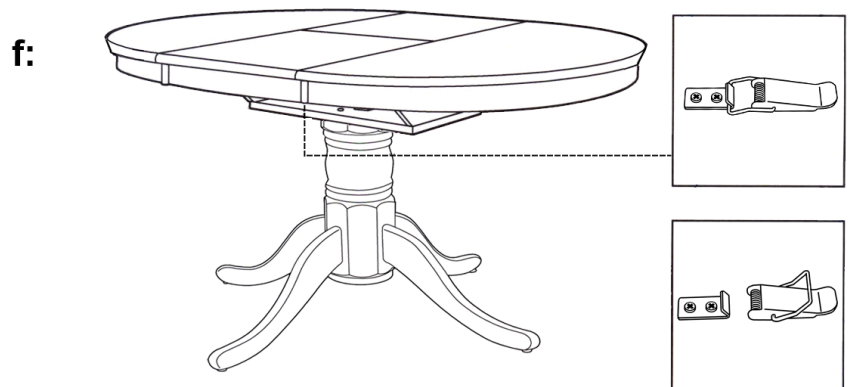


**e:** Carefully slide the Table leaves together ensuring they engage with the extension halves and fit into place.



**f:** Use the locking catches to secure the table before use.

**Note:** To return the table to the smaller size follow the same process in reverse.



Locking Catches

If you need help or have damaged or missing parts, call the **Customer Helpline: 08456 400800**  
Home Retail Group, 489-499 Avebury Boulevard, Saxon Gate West, Central Milton Keynes, MK9 2NW