

# Dining Chair

Assembly Instructions - Please keep for future reference

603/4135

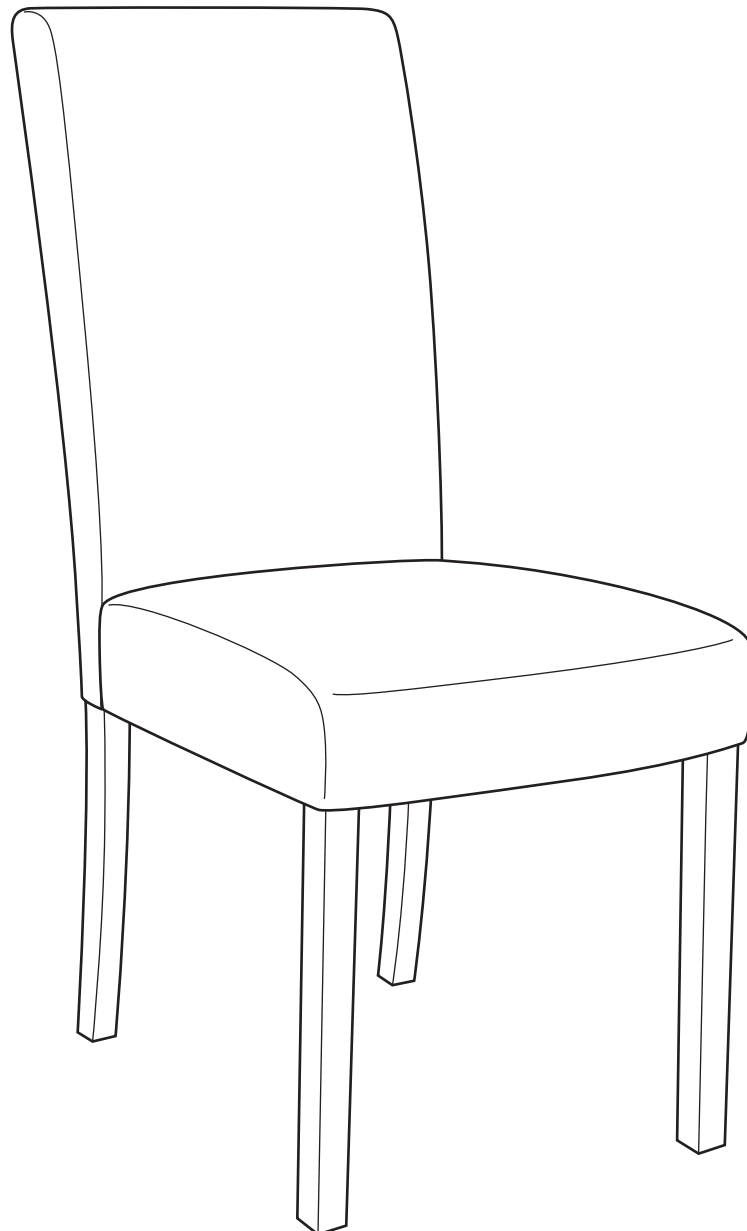
603/2333

603/2900

603/0452

602/9834

603/2364



## Dimensions

Width - 44cm

Depth - 54cm

Height - 92cm

**Important - Please read these instructions fully before starting assembly**

If you need help or have damaged or missing parts, call the **Customer Helpline: 08456 400800**



# Safety and Care Advice

## Important - Please read these instructions fully before starting assembly

- Assemble this product on a flat surface.
- Assemble all parts loosely before tightening any bolts.
- Do not discard any of the packaging until you have checked that you have all the parts and the pack of fittings.

- Discard all extra fittings and keep fittings out of reach of children.
- Unit weight: 4.9kgs.
- Maximum safe weight of user: 110kgs.
- Retain Assembly Instructions for future reference.



- We do not recommend the use of power drill/drivers **for inserting screws**, as this could damage the unit. Only use hand screwdrivers.
- Dispose of all packaging carefully and responsibly.

## Warnings

- This product should only be used on firm, level ground.
- Make sure the legs remain in contact with the ground.
- Do not stand on the product.

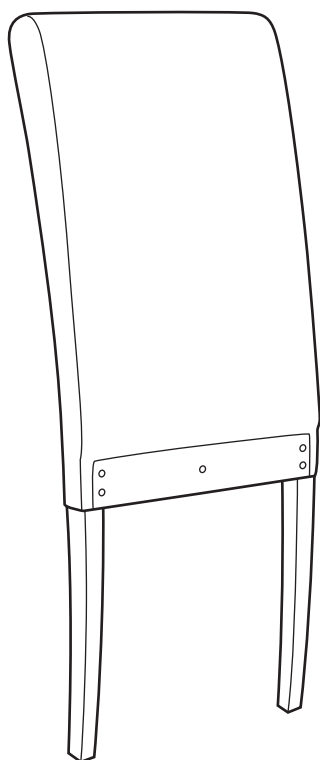
## Care and maintenance

- Please clean the unit surface using either damp (not wet) cloth and a mild domestic soap solution or by using an appropriate polish.
- Do not use any abrasive materials when cleaning.
- From time to time check that there are no loose bolts on this unit.

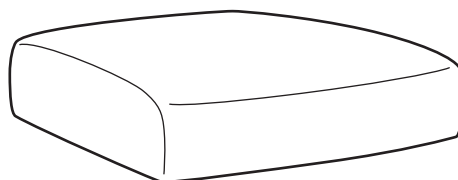
# Components - Parts

If you have damaged or missing components, call the **Customer Helpline: 08456 400800**

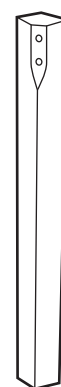
Please check you have all the parts listed below



**1** Backrest  
(36 x 10 x 92cm)



**2** Seat  
(43.5 x 41 x 9.5cm)

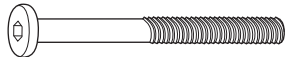
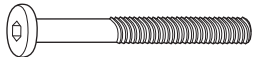

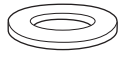



**3** Leg x 2  
(3 x 3 x 43cm)

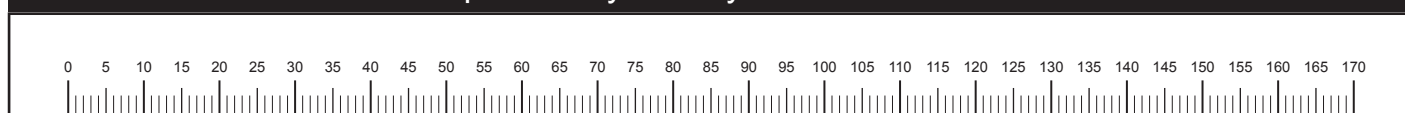
# Components - Fittings

Please check you have all the fittings listed below

**Note:** The quantities below are the correct amount to complete the assembly. In some cases more fittings may be supplied than are required.

<p><b>A</b> </p> <p>M6 x 85mm Bolt x 4</p>	<p><b>B</b> </p> <p>M6 x 55mm Bolt x 5</p>	<p><b>C</b> </p> <p>Spring washer x 9</p>
<p><b>D</b> </p> <p>Washer x 9</p>	<p><b>E</b> </p> <p>Allen key x 1</p>	

**Ruler** - Use this ruler to help correctly identify the screws



# Assembly Instructions

## Step 1

### Attaching legs

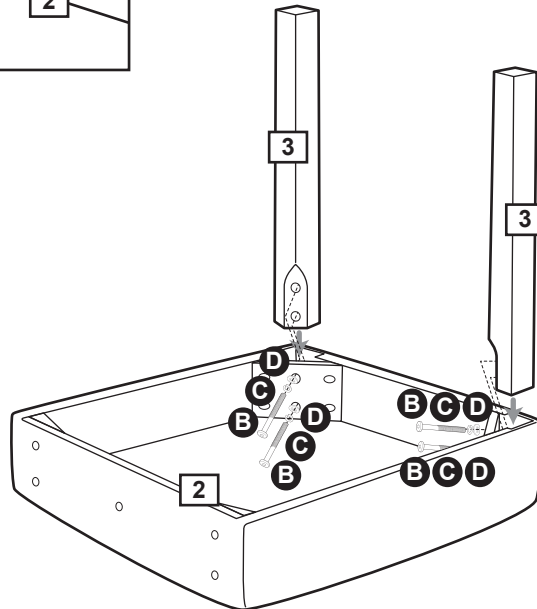
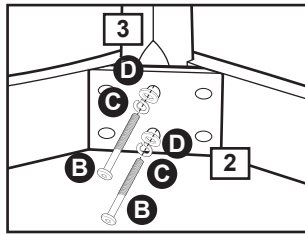
Place the seat **2** upside down on a flat protected surface.

Insert the legs **3** into the holes of the seat as shown and fix using bolts **B**, spring washer **C** and washers **D**. Tighten the bolts using allen key **E**.



**Important:**

Do not fully tighten bolts at this stage.



## Step 2

### Attaching backrest

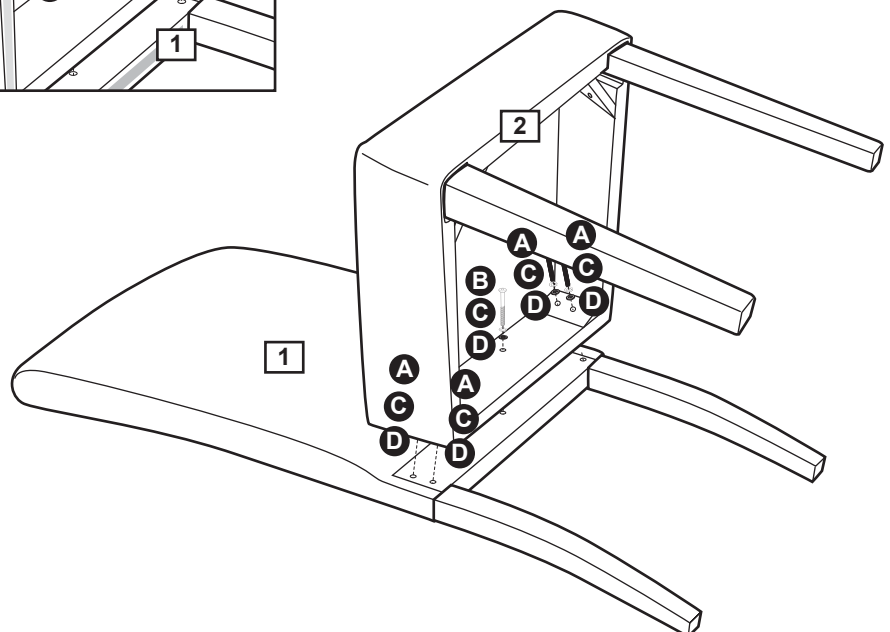
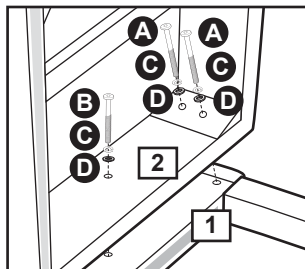
Place the backrest on a flat protected surface.

Position the seat **2** on the backrest **1** as shown and fix using bolts **A** & **B**, spring washers **C** and washers **D**. Tighten bolts using allen key **E**.



**Important:**

Do not fully tighten bolts at this stage.



# Assembly Instructions

## Step 3

### Aligning & securing the legs

Carefully turn the chair upright and place on a flat surface.

**a:** Tighten all bolts using allen key **E**.

**Note:** This step is essential to prevent the chair from wobbling due to uneven legs.

**b:** Carefully sit on the chair and make adjustments to ensure the legs are flat even on the floor.

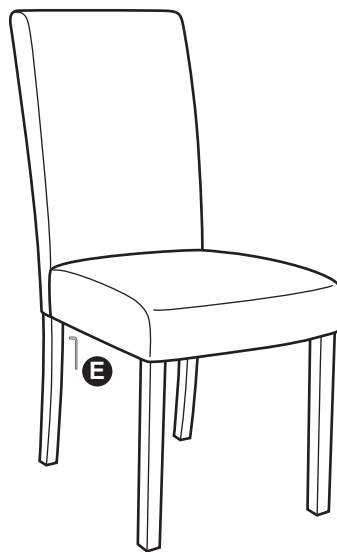
**c:** After the sitting test, re-tighten bolts again if any adjustment is needed.

**Note:** It is highly recommended to re-tighten all bolts after using the chair for 7 days.

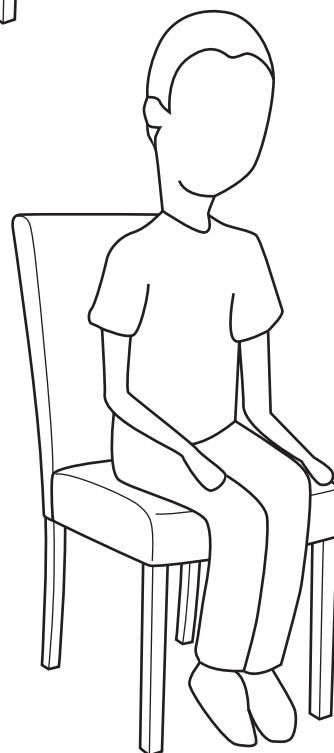
**Note:** Keep allen key to re-tighten bolts when required.

**Assembly is complete.**

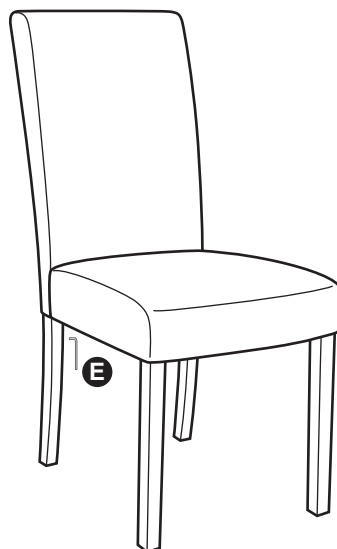
**a:**



**b:**



**c:**



If you need help or have damaged or missing parts, call the **Customer Helpline: 08456 400800**

# Dining Chair

Assembly Instructions - Please keep for future reference

603/4135

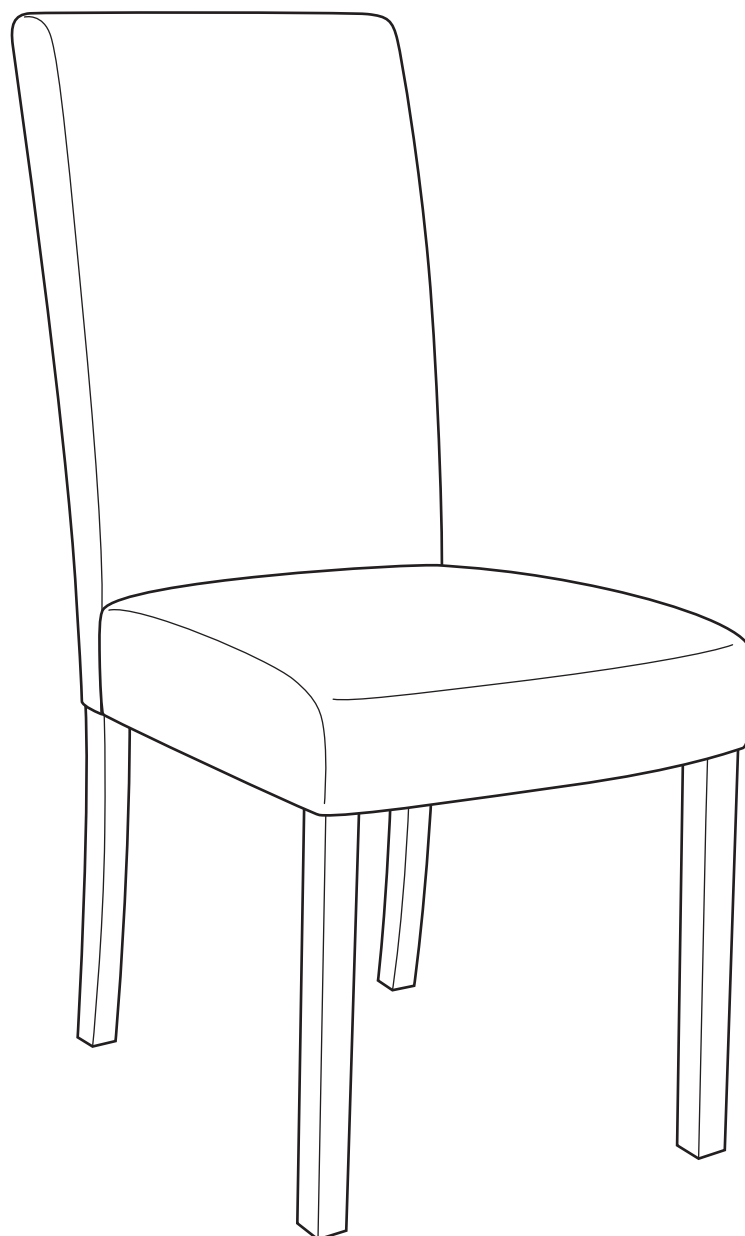
603/2333

603/2900

133/6948

602/9834

603/2364



## Dimensions

Width - 44cm

Depth - 54cm

Height - 92cm

**Important** - Please read these instructions fully before starting assembly

If you need help or have damaged or missing parts, call the **Customer Helpline: 08456 400800**



# Safety and Care Advice

## Important - Please read these instructions fully before starting assembly

- Assemble this product on a flat surface.
- Assemble all parts loosely before tightening any bolts.
- Do not discard any of the packaging until you have checked that you have all the parts and the pack of fittings.

- Discard all extra fittings and keep fittings out of reach of children.
- Unit weight: 4.9kgs.
- Maximum safe weight of user: 110kgs.
- Retain Assembly Instructions for future reference.



- We do not recommend the use of power drill/drivers **for inserting screws**, as this could damage the unit. Only use hand screwdrivers.
- Dispose of all packaging carefully and responsibly.

## Warnings

- This product should only be used on firm, level ground.
- Make sure the legs remain in contact with the ground.
- Do not stand on the product.

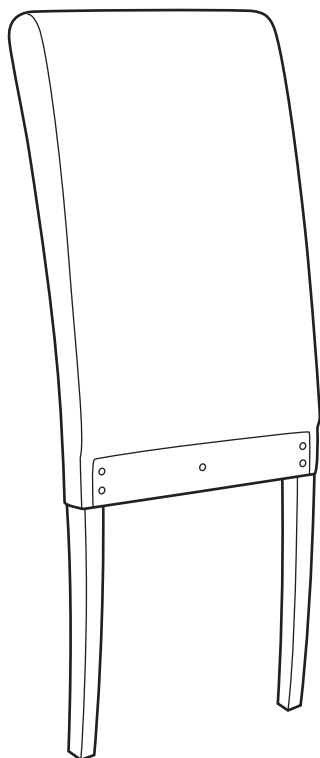
## Care and maintenance

- Please clean the product using either damp (not wet) cloth and a mild domestic soap solution or by using an appropriate polish.
- Do not use any abrasive materials when cleaning.
- From time to time check that there are no loose bolts on this unit.

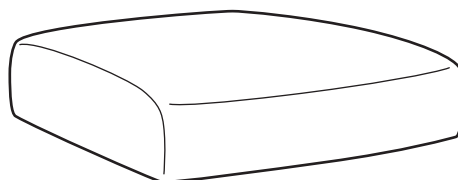
# Components - Parts

If you have damaged or missing components, call the **Customer Helpline: 08456 400800**

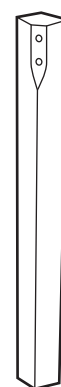
Please check you have all the parts listed below



**1** Backrest  
(36 x 10 x 92cm)



**2** Seat  
(43.5 x 41 x 9.5cm)

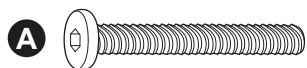


**3** Leg x 2  
(3 x 3 x 43cm)

# Components - Fittings

Please check you have all the fittings listed below

**Note:** The quantities below are the correct amount to complete the assembly. In some cases more fittings may be supplied than are required.



**A** M6 x 50mm Bolt x 9



**B** Spring washer x 9

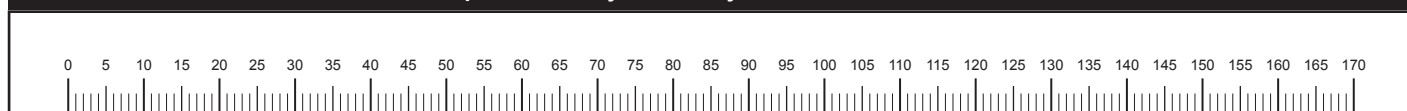


**C** Flat washer x 9



**D** Allen key x 1

**Ruler** - Use this ruler to help correctly identify the screws





# Assembly Instructions

## Step 1

### Attaching legs

Place the seat **2** upside down on a flat protected surface.

Insert the legs **3** into the holes of the seat as shown and fix using bolts **A**, spring washers **B** and washers **C**.

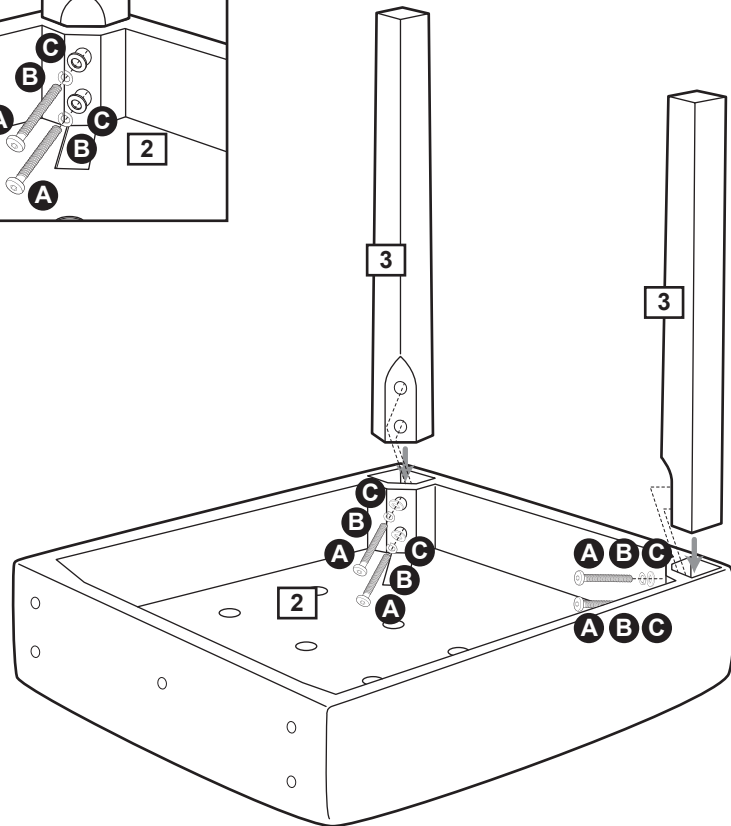
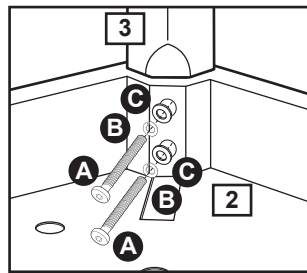


**Important:**

Fasten bolts using allen key **D** but do not fully tighten at this stage.

**Note:**

Use oval head of allen key **D** on tight angles.



## Step 2

### Attaching backrest

Place the backrest on a flat protected surface.

Position the seat **2** on the backrest **1** as shown and fix using bolts **A**, spring washers **B** and washers **C**.

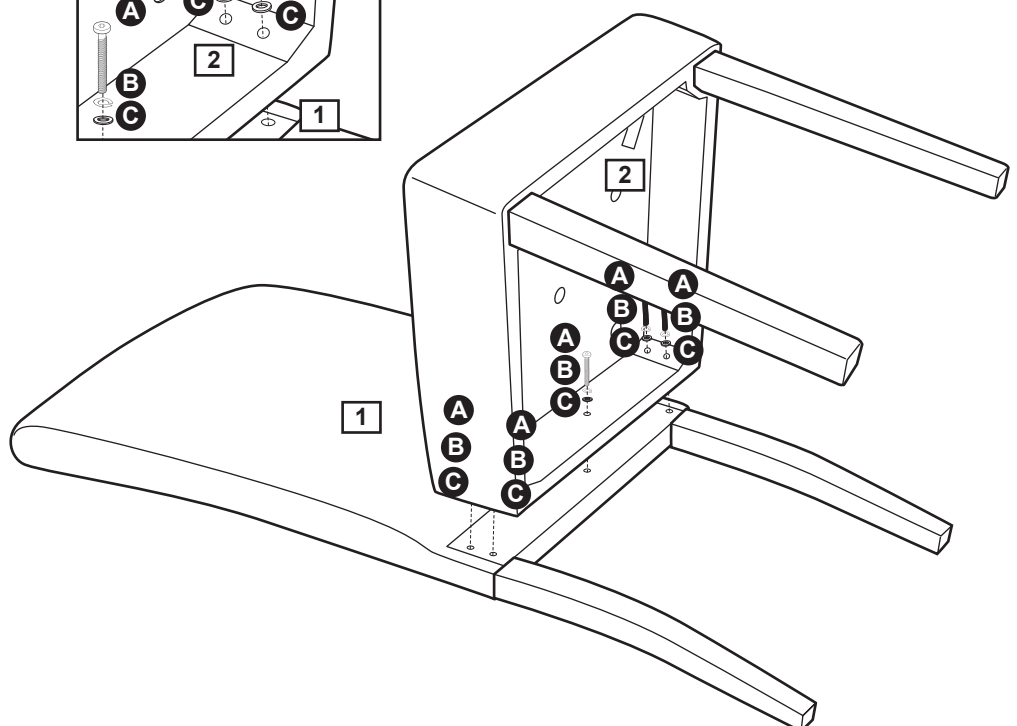
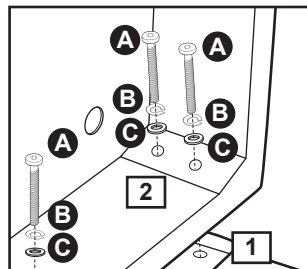


**Important:**

Fasten bolts using allen key **D** but do not fully tighten at this stage.

**Note:**

Use oval head of allen key **D** on tight angles.



# Assembly Instructions

## Step 3

### Aligning & securing the legs

Carefully turn the chair upright and place on a flat surface.

**a:** Tighten all bolts using allen key **D**.

**Note:**

Use oval head of allen key **D** on tight angles.

**Note:** This step is essential to prevent the chair from wobbling due to uneven legs.

**b:** Carefully sit on the chair and make adjustments to ensure the legs are flat even on the floor.

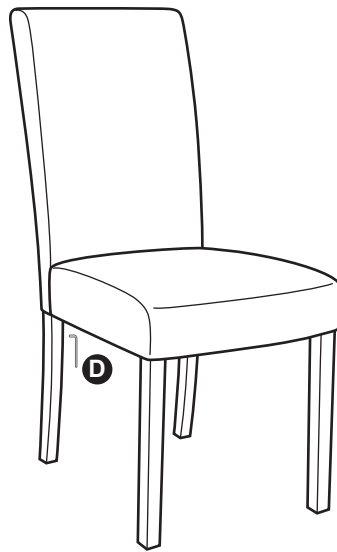
**c:** After the sitting test, re-tighten bolts again if any adjustment is needed.

**Note:** It is highly recommended to re-tighten all bolts after using the chair for 7 days.

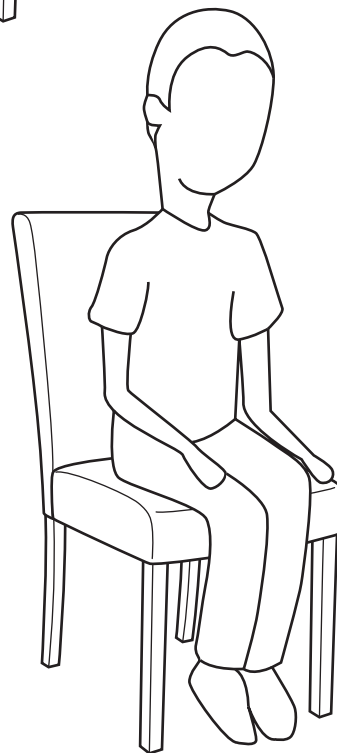
**Note:** Keep allen key to re-tighten bolts when required.

**Assembly is complete.**

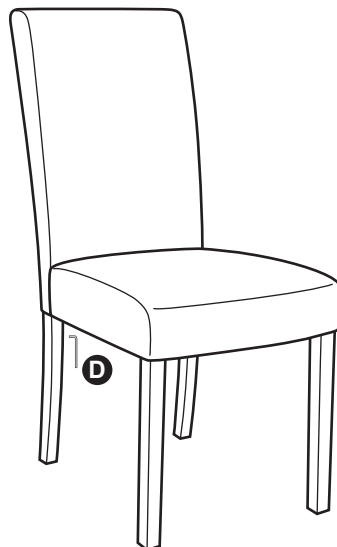
**a:**



**b:**



**c:**



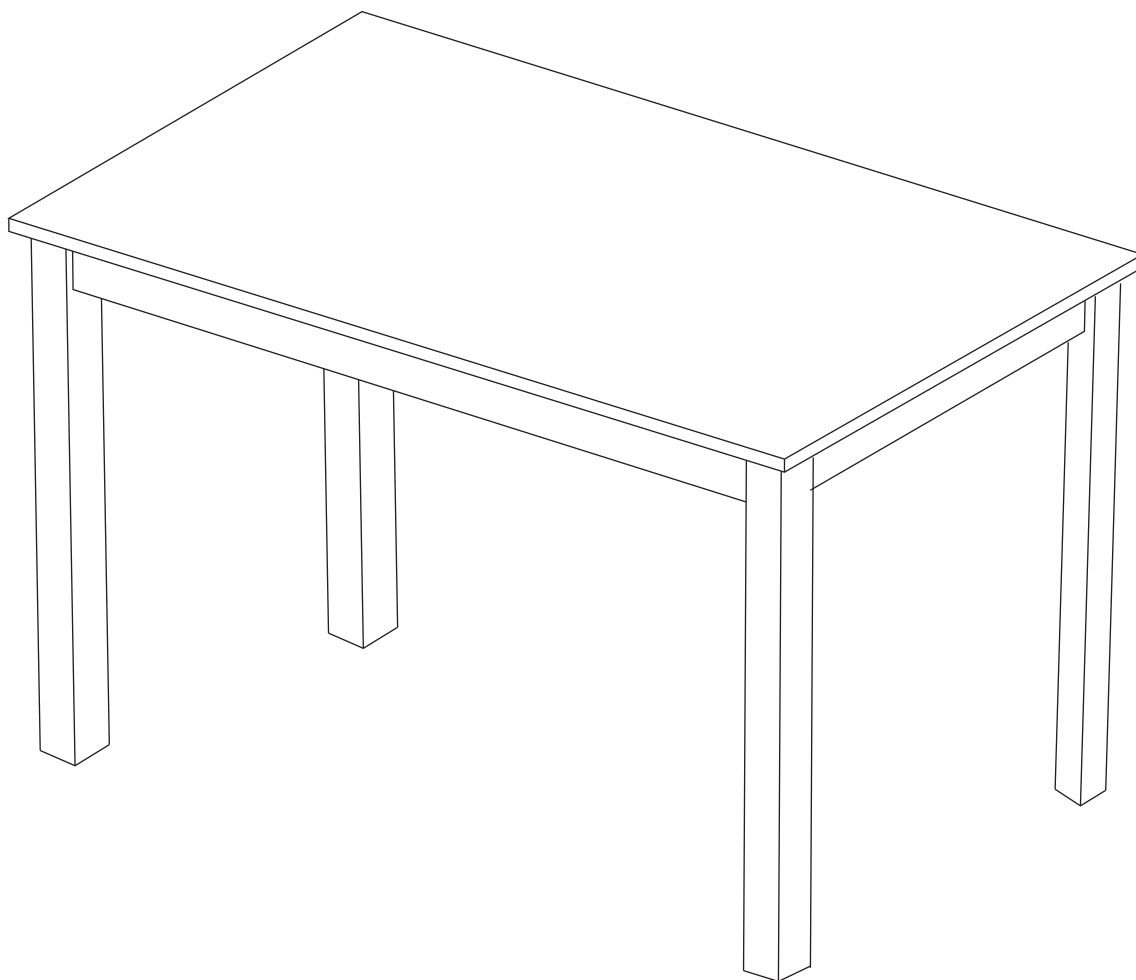
If you need help or have damaged or missing parts, call the **Customer Helpline: 08456 400800**

# Dining Table

Assembly Instructions - Please keep for future reference

602/9669

603/0940



## Dimensions

Width - 90cm

Length - 150cm

Height - 74cm

**Important** Please read these instructions fully before starting assembly

If you need help or have damaged or missing parts, call the Customer Helpline: 0845 6400 800



# Safety and Care Advice

**Important** Please read these instructions fully before starting assembly

- Check you have all the components and tools listed on pages 2 and 3.
- Remove all fittings from the plastic bags and separate them into their groups.
- Keep children and animals away from the work area, small parts could choke if swallowed.
- Make sure you have enough space to layout the parts before starting.

- Do not stand or put weight on this product during assembly, this could cause damage.
- Assemble the item as close to its final position (in the same room) as possible.
- Assemble on a soft level surface to avoid damaging the unit or your floor.
- Parts of the assembly will be easier with 2 people.



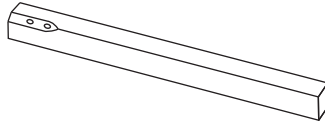
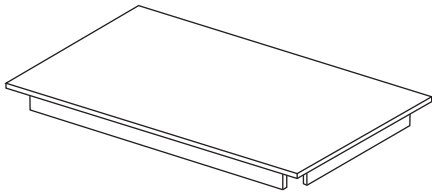
- We do not recommend the use of power drill/drivers **for inserting screws**, as this could damage the unit. Only use hand screwdrivers.
- Dispose of all packaging carefully and responsibly.

## Care and maintenance

- Only clean using a damp cloth and mild detergent, do not use bleach or abrasive cleaners.
- From time to time check that there are no loose screws on this unit.
- This product should not be discarded with household waste. Take to your local authority waste disposal centre.

# Components - Panels

Please check you have all the panels listed below



1 Table Top

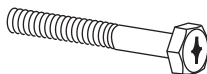



2 Table Leg x 4

# Components - Fittings

If you have damaged or missing components, call the Customer Helpline: 0845 6400 800

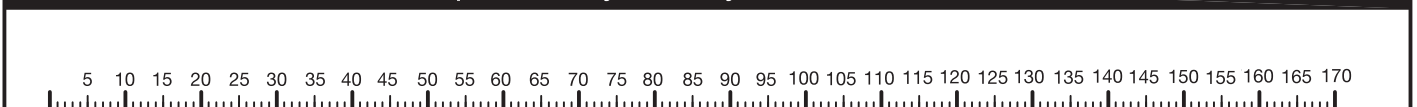
Please check you have all the fittings listed below

**Note:** The quantities below are the correct amount to complete the assembly. In some cases more fittings may be supplied than are required.

<p><b>A</b> </p> <p>65mm Hex Bolt</p>	<p><b>B</b> </p> <p>Spring washer x 8</p>	<p><b>C</b> </p> <p>Flat washer x 8</p>
<p><b>D</b> </p> <p>Hex Screw Spanner</p>		

## Tools required

Ruler - Use this ruler to help correctly identify the screws



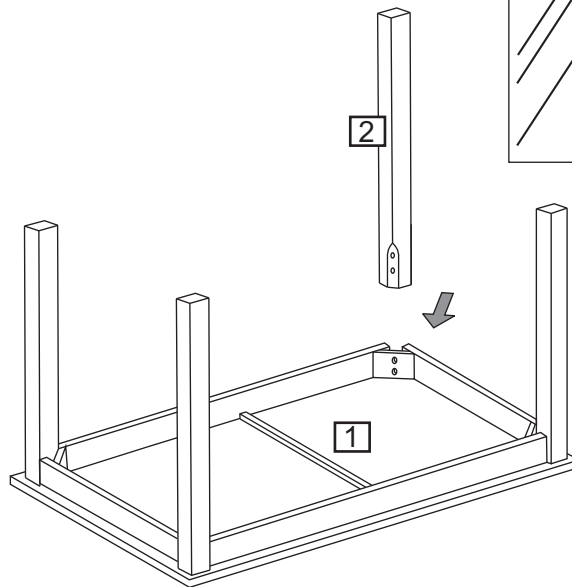
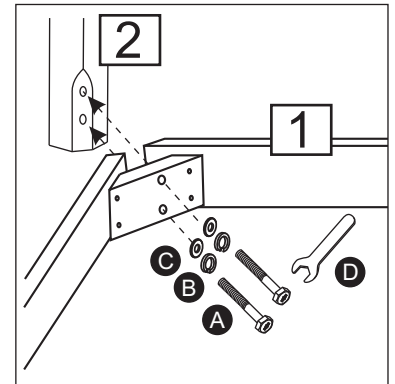
# Assembly Instructions

## Step 1

### Table Leg

Locate the table leg **2** at 4 corners of table top **1**.

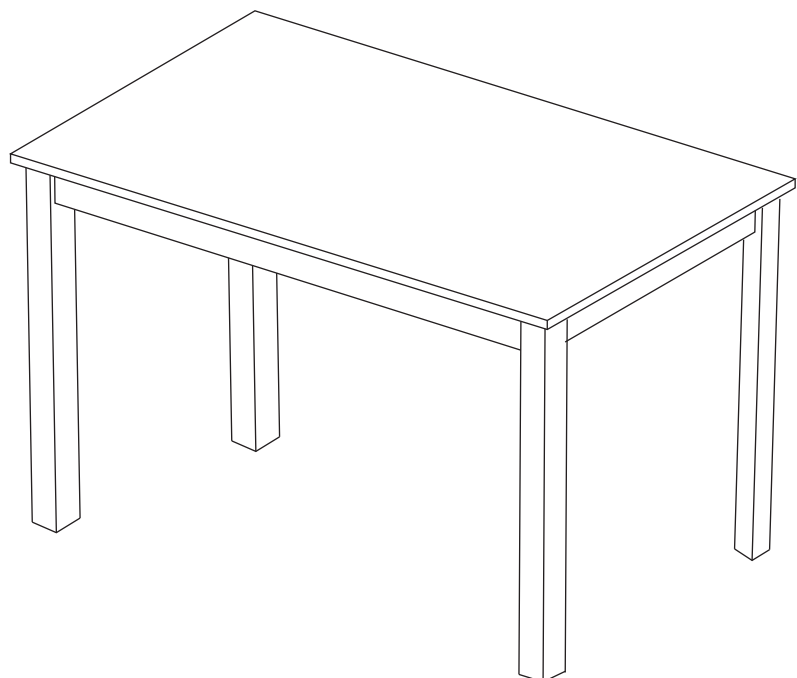
Assemble hex bolt **A**, spring washers **B** and flat washer **C** through corner block using hex spanner **D**



Tighten the bolts, and repeat for all legs.

## Step 2

Carefully turn the table over, and put the table on the floor



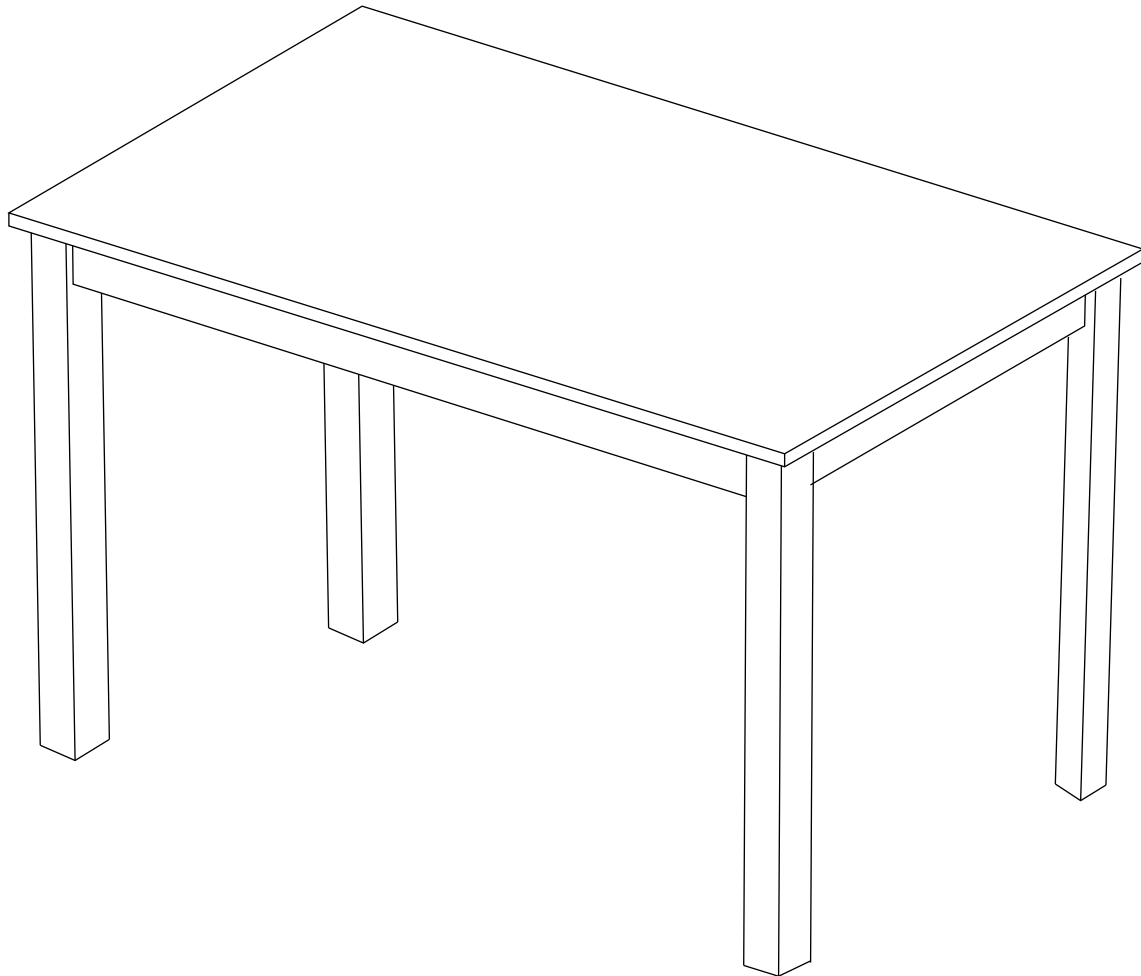
The assembly is complete.

# Dining Table

Assembly Instructions - Please keep for future reference

602/9669

603/0940



## Dimensions

Width - 90cm

Deep - 150cm

Height - 74cm

**Important** Please read these instructions fully before starting assembly

If you need help or have damaged or missing parts, call the Customer Helpline: 0845 6400 800



# Safety and Care Advice

**Important** Please read these instructions fully before starting assembly

- Check you have all the components and tools listed on pages 2 and 3.
- Remove all fittings from the plastic bags and separate them into their groups.
- Keep children and animals away from the work area, small parts could choke if swallowed.
- Make sure you have enough space to layout the parts before starting.

- Do not stand or put weight on this product during assembly, this could cause damage.
- Assemble the item as close to its final position (in the same room) as possible.
- Assemble on a soft level surface to avoid damaging the unit or your floor.
- Parts of the assembly will be easier with 2 people.



- We do not recommend the use of power drill/drivers **for inserting screws**, as this could damage the unit. Only use hand screwdrivers.
- Dispose of all packaging carefully and responsibly.

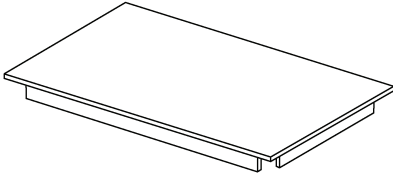
## Care and maintenance

- Only clean using a damp cloth and mild detergent, do not use bleach or abrasive cleaners.
- From time to time check that there are no loose screws on this unit.
- This product should not be discarded with household waste. Take to your local authority waste disposal centre.

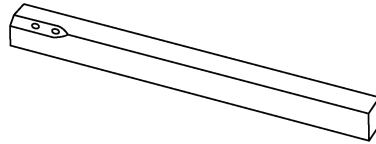


# Components - Panels

Please check you have all the panels listed below



1 Table Top x 1  
(150 x 90)cm



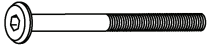

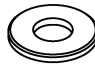
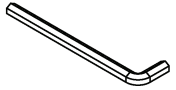
2 Table Leg x 4  
(72 x 5.4)cm

# Components - Fittings

If you have damaged or missing components, call the **Customer Helpline**: 08456 400800

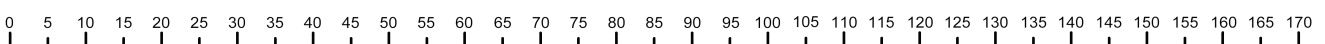
Please check you have all the panels listed below

**Note:** The quantities below are the correct amount to complete the assembly. In some cases more fittings may be supplied than are required

<p><b>A</b> </p> <p>JCBB Screw M8 x 70 x 8</p>	<p><b>B</b> </p> <p>Spring Washer 5/16" x 8</p>	<p><b>C</b> </p> <p>Flat Washer 5/16" x 8</p>
<p><b>D</b> </p> <p>5mm Hex Key x 1</p>		

## Tools required

Ruler - Use this ruler to help correctly identify the screws



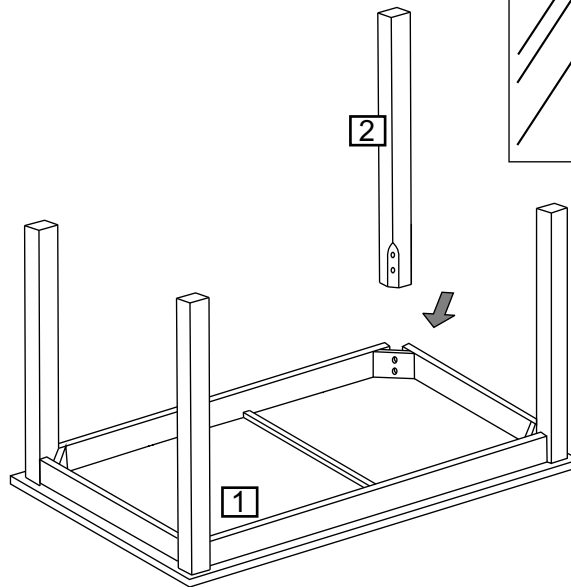
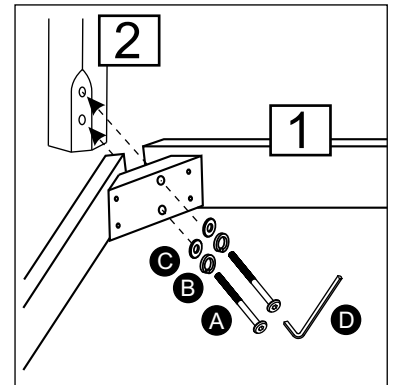
# Assembly Instructions

## Step 1

### Table Leg

Locate the table leg **2** at 4 corners of table top **1**.

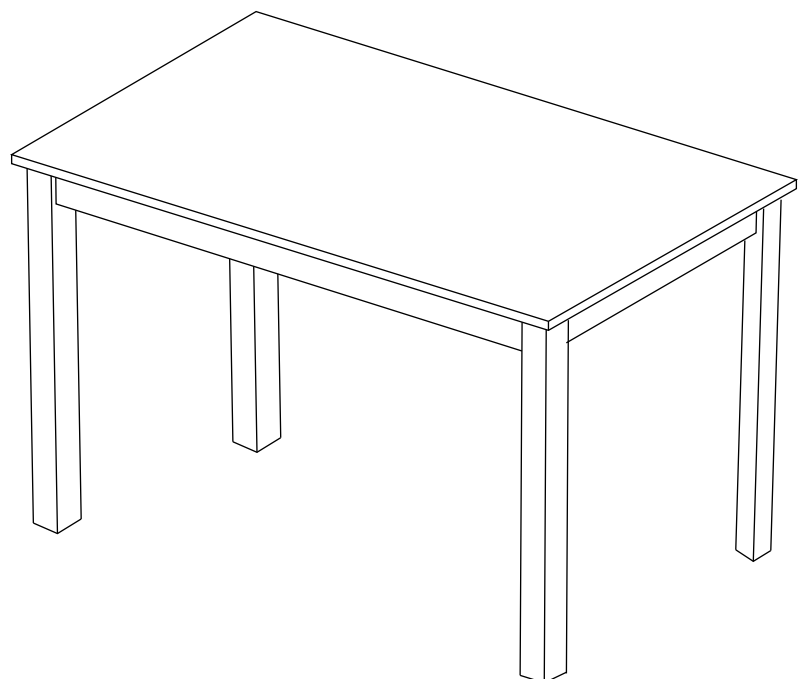
Assemble bolts **A**, spring washers **B** and flat washer **C** through corner block using hex key **D**.



Tighten the bolts, and repeat for all legs

## Step 2

Carefully turn the table over, and put the table on the floor



The assembly is complete.

# Dining Chair

Assembly Instructions - Please keep for future reference

600/1584

603/2364

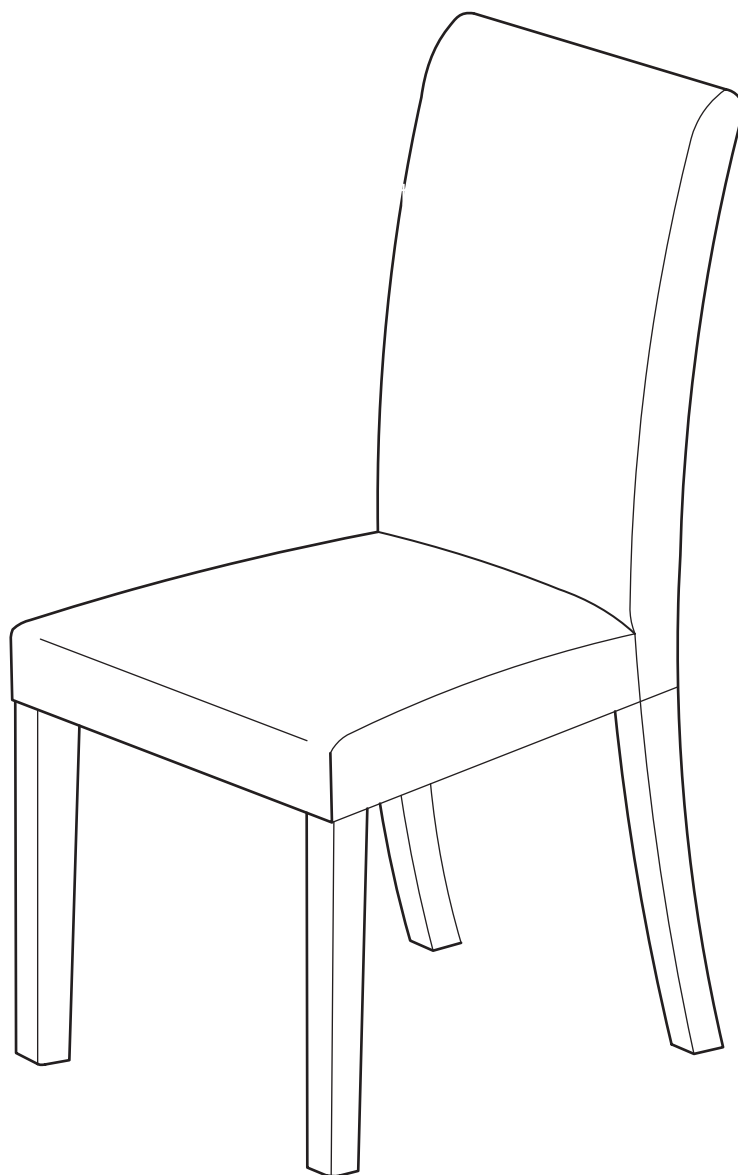
603/0452

600/3654

160/609

603/0830

603/2333



## Dimensions

Width - 43.5cm

Deep - 52.5cm

Height - 92cm

**Important** Please read these instructions fully before starting assembly

If you need help or have damaged or missing parts, call the **Customer Helpline: 0845 640 0800**



# afety and Care Advice

**Important** Please read these instructions fully before starting assembly

- Check you have all the components and tools listed on pages and .
- Remove all fittings from the plastic bags and separate them into their groups.
- Keep children and animals away from the work area, small parts could choke if swallowed.
- Make sure you have enough space to layout the parts before starting.

- Do not stand or put weight on the product, this could cause damage.
- Assemble the item as close to its final position (in the same room as possible).
- Assemble on a soft level surface to avoid damaging the unit or your oor.
- Parts of the assembly will be easier with people.



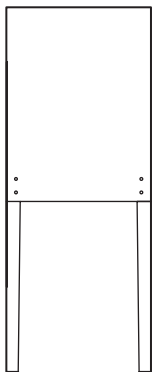
- We do not recommend the use of power drill drivers **for inserting screws**, as this could damage the unit. Only use hand screwdrivers.

- Dispose of all packaging carefully and responsibly.

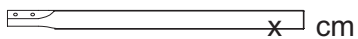
## Care and maintenance

- Only clean using a damp cloth and mild detergent, do not use bleach or abrasive cleaners.
- From time to time check that there are no loose screws on this unit.
- This product should not be discarded with household waste. Take to your local authority waste disposal centre.

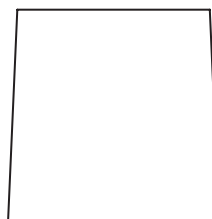
# Components - Panels



1 Back frame (36.5 x 92cm)



2 Leg x 2 (3.2 43 )



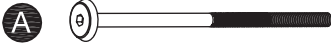
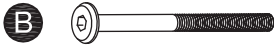


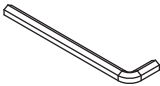
3 Box seat (43.5 x 41.5cm)

# Components - Fittings

If you have damaged or missing components, call the **Customer Helpline: 0845 640 0800**

Please check you have all the fittings listed below

**Note:** The quantities below are the correct amount to complete the assembly. In some cases more fittings may be supplied than are required.

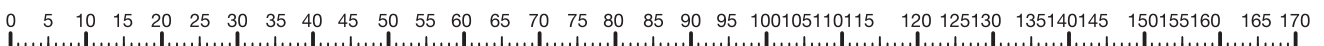
 <p><b>A</b></p> <p>M6x85mm Bolt x 8</p>	 <p><b>B</b></p> <p>M6x55mm Bolt x 10</p>	 <p><b>C</b></p> <p>Ø18x1mm Washer x 18</p>
 <p><b>D</b></p> <p>Ø11x1.5mm Spring washer x 16</p>	 <p><b>E</b></p> <p>4mm Hex Key x 1</p>	

## Tools required



Ruler/tape  
measure

Ruler - Use this ruler to help correctly identify the screws



# Assembly Instructions

## Step 1

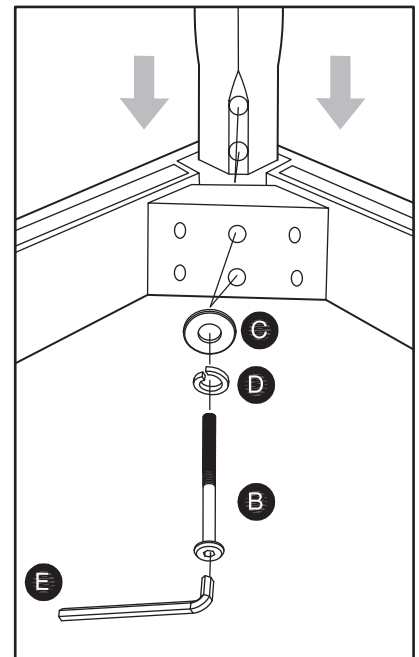
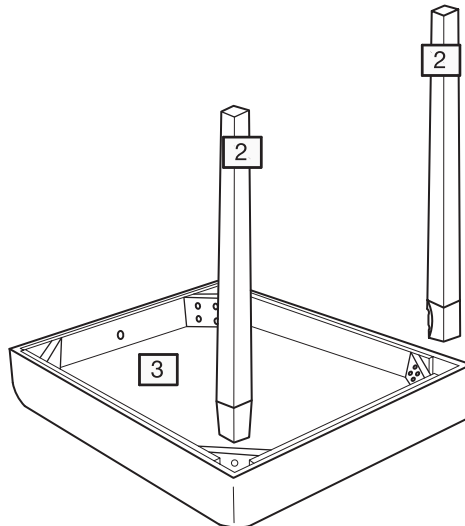
### Fitting legs

Locate the corners of the box seat opposite to the center hole.

Insert the legs **2** into the corners of the box seat **3**.

Assemble bolts **B**, spring washers **D** and washers **C** through each corner block of the box seat **3** using hex key **E**.

Tighten the bolts.



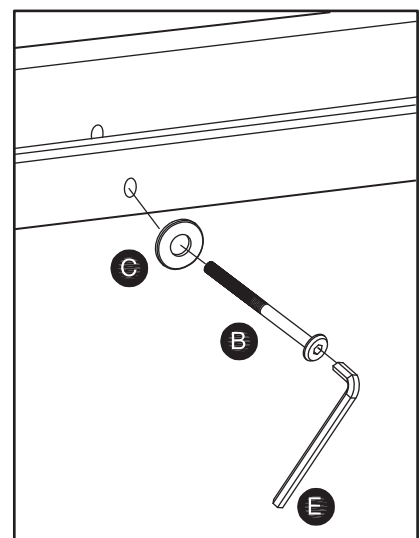
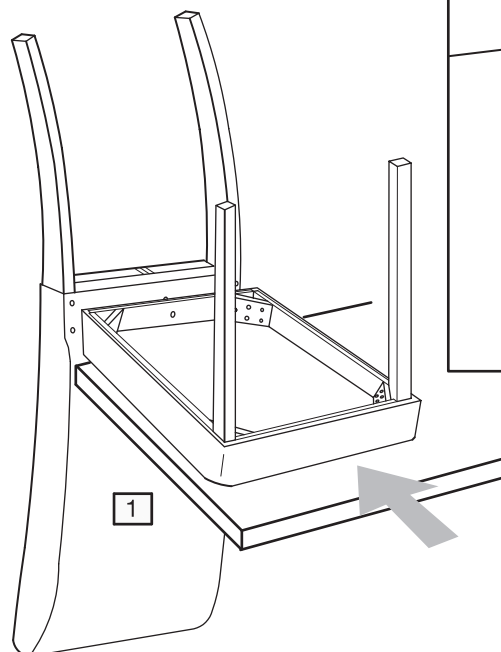
## Step 2

### Attaching back frame

Place the box seat **3** on the back frame **1**.

Assemble the bolt **B** and washer **C** onto the back frame **1** using hex key **E**.

Do not tighten the bolts at this point.



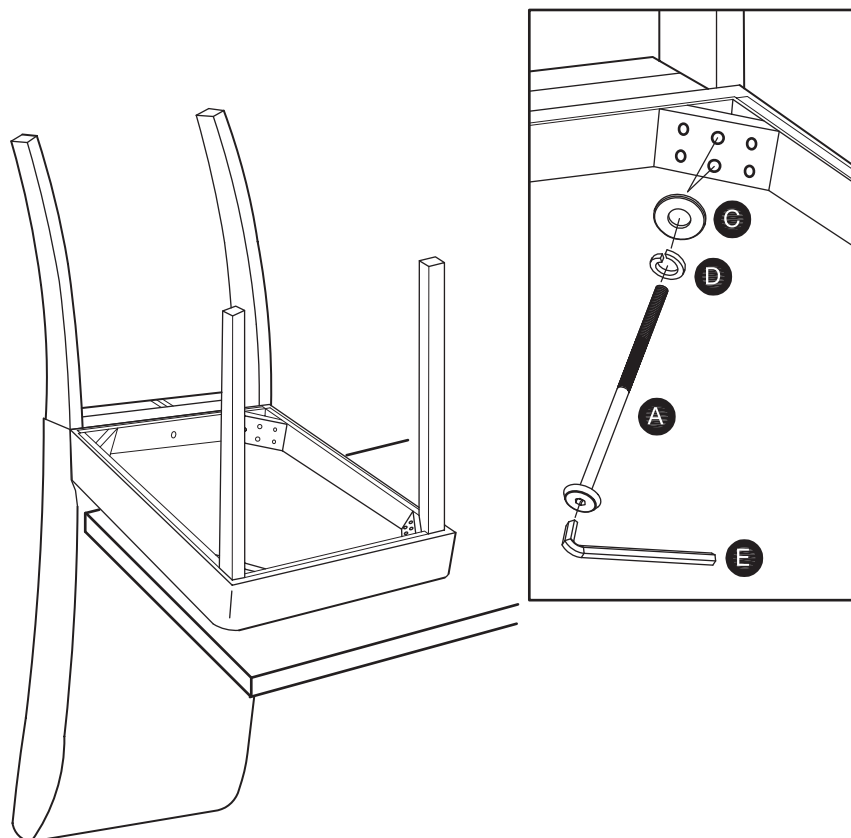
# Assembly Instructions

## Step 3

### Fitting bolts

Assemble bolts **A**, spring washers **D** and washers **C** through each corner block of the box seat **3** to the back frame **1**.

Do not tighten the bolts at this point in time.



## Step 4

Carefully turn the chair over, and put the chair on the oor.

## Step 5

Tighten each loose bolt a little at a time while making sure the chair remains level. Repeat until all loose bolts are tight.

Repeat with remaining chairs.

