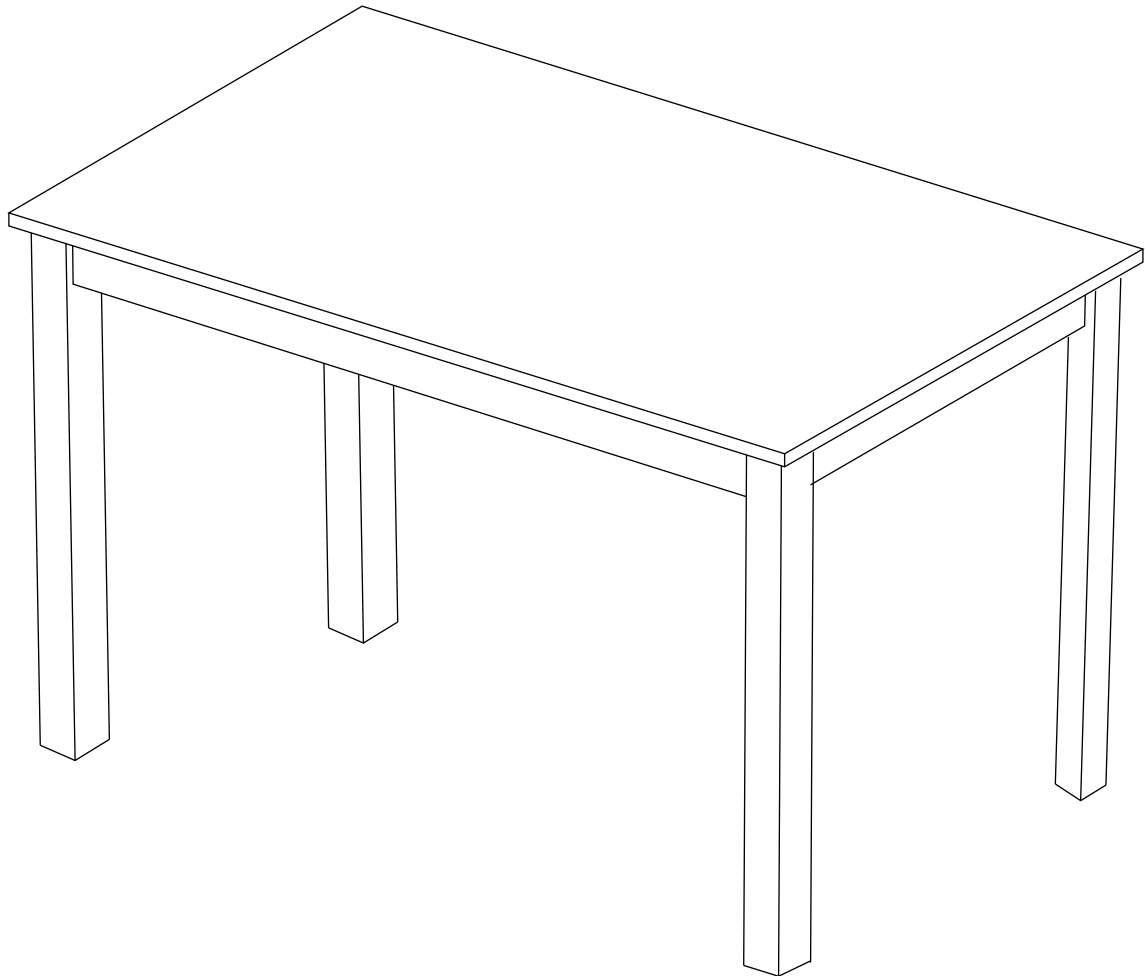


Dining Table

Assembly Instructions - Please keep for future reference

602/9748

603/0933



Dimensions

Width - 75cm

Deep - 120cm

Height - 74cm

Important Please read these instructions fully before starting assembly

If you need help or have damaged or missing parts, call the Customer Helpline: 0845 6400 800



Safety and Care Advice

Important Please read these instructions fully before starting assembly

- Check you have all the components and tools listed on pages 2 and 3.
- Remove all fittings from the plastic bags and separate them into their groups.
- Keep children and animals away from the work area, small parts could choke if swallowed.
- Make sure you have enough space to layout the parts before starting.

- Do not stand or put weight on this product during assembly, this could cause damage.
- Assemble the item as close to its final position (in the same room) as possible.
- Assemble on a soft level surface to avoid damaging the unit or your floor.
- Parts of the assembly will be easier with 2 people.



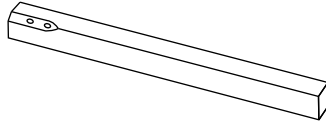
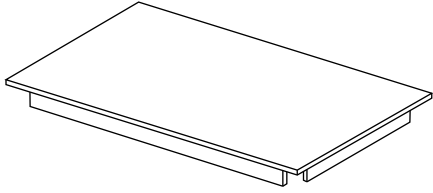
- We do not recommend the use of power drill/drivers **for inserting screws**, as this could damage the unit. Only use hand screwdrivers.
- Dispose of all packaging carefully and responsibly.

Care and maintenance

- Only clean using a damp cloth and mild detergent, do not use bleach or abrasive cleaners.
- From time to time check that there are no loose screws on this unit.
- This product should not be discarded with household waste. Take to your local authority waste disposal centre.

Components - Panels

Please check you have all the panels listed below



1 Table Top

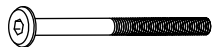
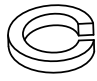


2 Table Leg x 4

Components - Fittings

If you have damaged or missing components, call the Customer Helpline: 0845 6400 800

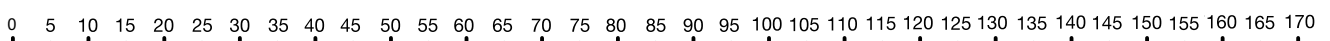
Please check you have all the fittings listed below

Note: The quantities below are the correct amount to complete the assembly. In some cases more fittings may be supplied than are required.

<p>A </p> <p>M8x70mm Bolt x 8</p>	<p>B </p> <p>Spring washer x 8</p>	<p>C </p> <p>Flat washer x 8</p>
<p>D </p> <p>M5 Hex Key x 1</p>		

Tools required

Ruler - Use this ruler to help correctly identify the screws



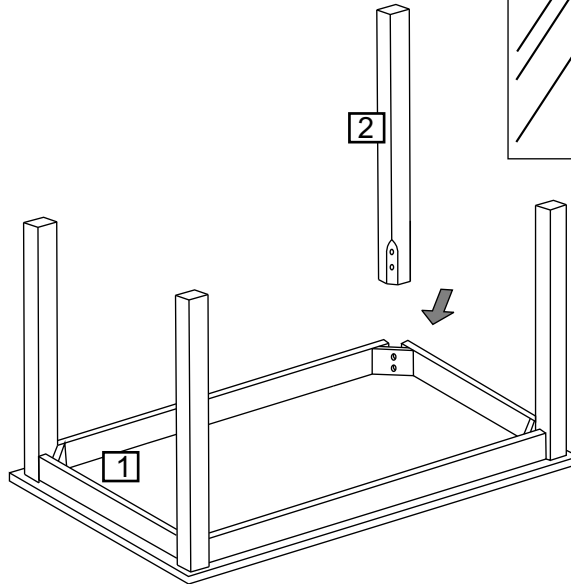
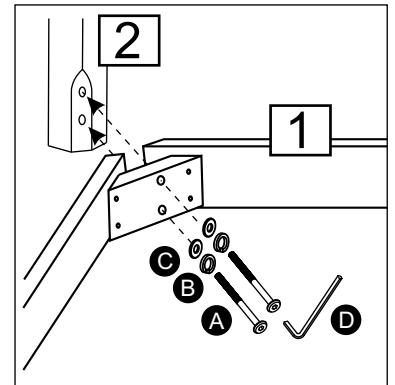
Assembly Instructions

Step 1

Table Leg

Locate the table leg **2** at 4 corners of table top **1**.

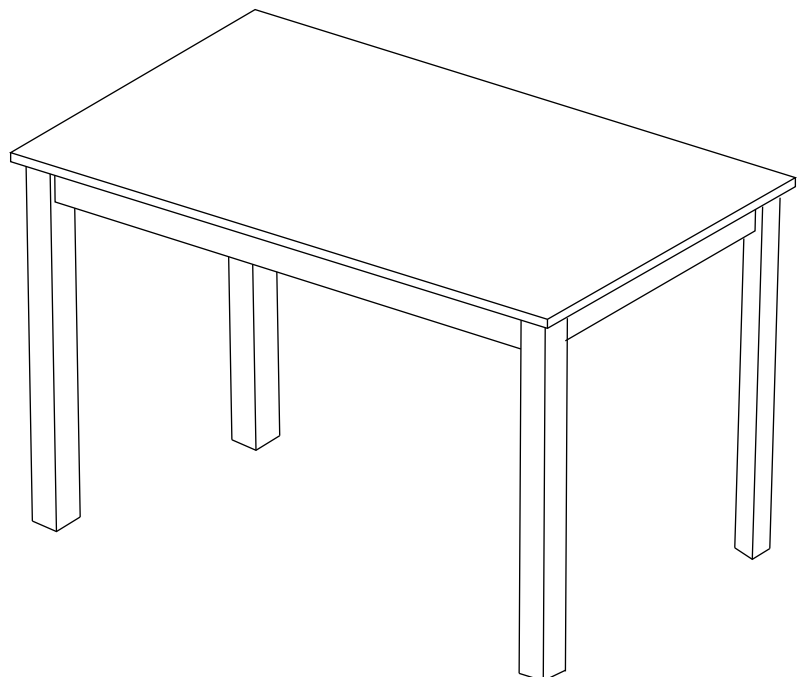
Assemble bolts **A**, spring washers **B** and flat washer **C** through corner block using hex key **D**.



Tighten the bolts, and repeat for all legs.

Step 2

Carefully turn the table over, and put the table on the floor



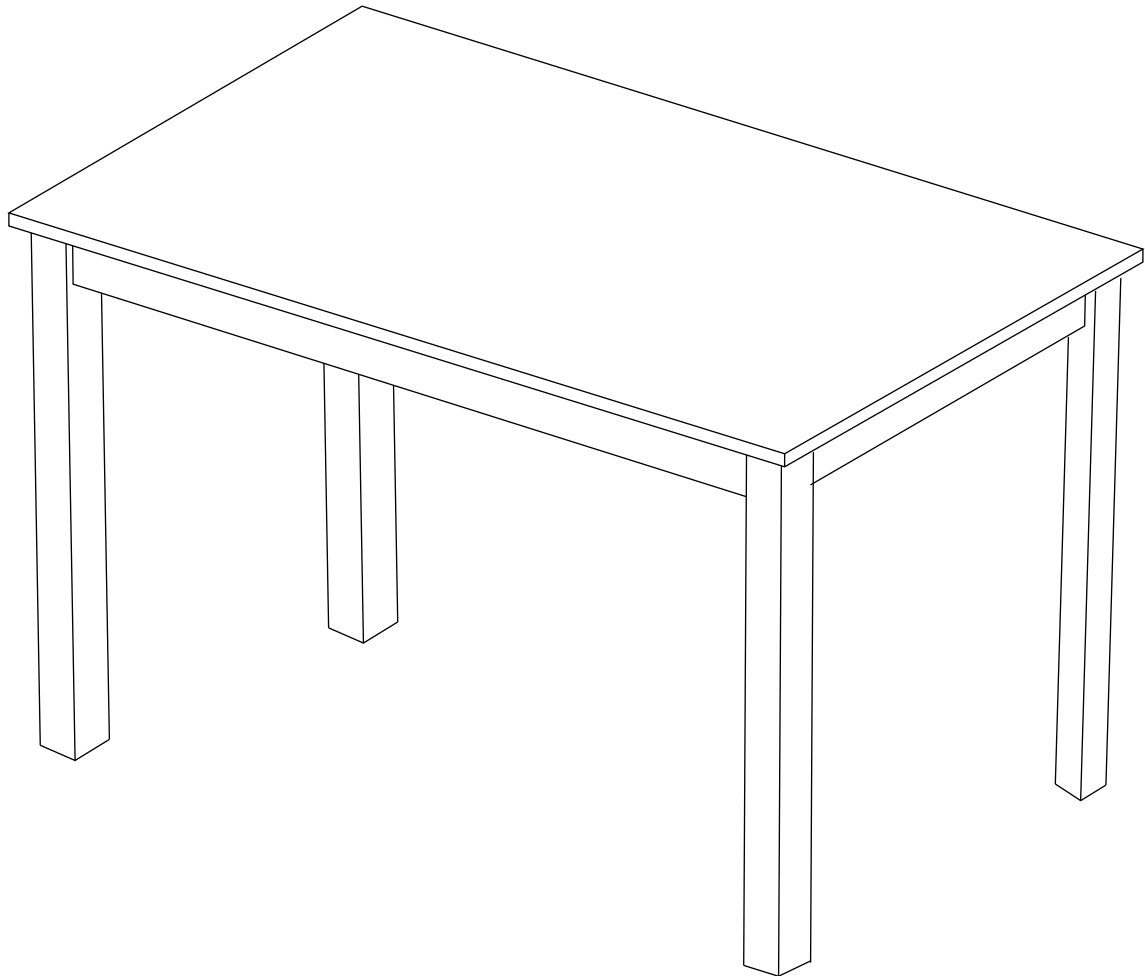
The assembly is complete.

Dining Table

Assembly Instructions - Please keep for future reference

602/9748

603/0933



Dimensions

Width - 75cm

Deep - 120cm

Height - 74cm

Important Please read these instructions fully before starting assembly

If you need help or have damaged or missing parts, call the Customer Helpline: 0845 6400 800



Safety and Care Advice

Important Please read these instructions fully before starting assembly

- Check you have all the components and tools listed on pages 2 and 3.
- Remove all fittings from the plastic bags and separate them into their groups.
- Keep children and animals away from the work area, small parts could choke if swallowed.
- Make sure you have enough space to layout the parts before starting.

- Do not stand or put weight on this product during assembly, this could cause damage.
- Assemble the item as close to its final position (in the same room) as possible.
- Assemble on a soft level surface to avoid damaging the unit or your floor.
- Parts of the assembly will be easier with 2 people.



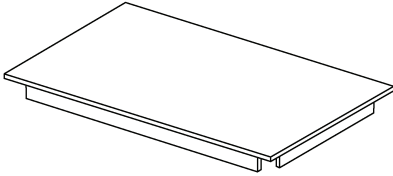
- We do not recommend the use of power drill/drivers **for inserting screws**, as this could damage the unit. Only use hand screwdrivers.
- Dispose of all packaging carefully and responsibly.

Care and maintenance

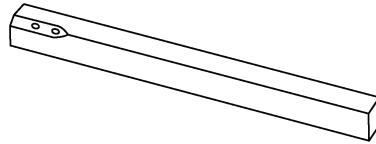
- Only clean using a damp cloth and mild detergent, do not use bleach or abrasive cleaners.
- From time to time check that there are no loose screws on this unit.
- This product should not be discarded with household waste. Take to your local authority waste disposal centre.

Components - Panels

Please check you have all the panels listed below



1 Table Top x 1
(120 x 75)cm



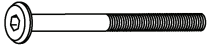

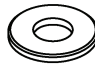
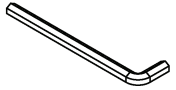
2 Table Leg x 4
(72 x 4.4)cm

Components - Fittings

If you have damaged or missing components, call the **Customer Helpline**: 08456 400800

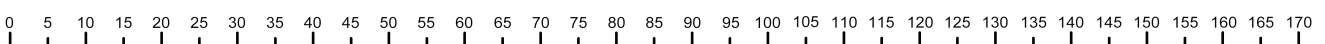
Please check you have all the panels listed below

Note: The quantities below are the correct amount to complete the assembly. In some cases more fittings may be supplied than are required

<p>A </p> <p>JCBB Screw M8 x 70 x 8</p>	<p>B </p> <p>Spring Washer 5/16" x 8</p>	<p>C </p> <p>Flat Washer 5/16" x 8</p>
<p>D </p> <p>5mm Hex Key x 1</p>		

Tools required

Ruler - Use this ruler to help correctly identify the screws



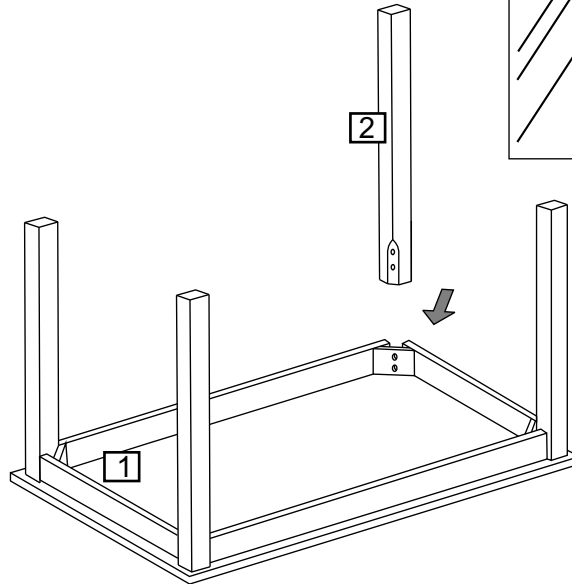
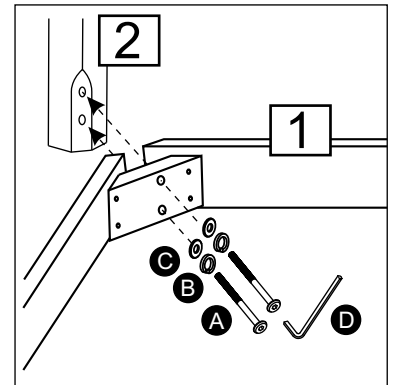
Assembly Instructions

Step 1

Table Leg

Locate the table leg **2** at 4 corners of table top **1**.

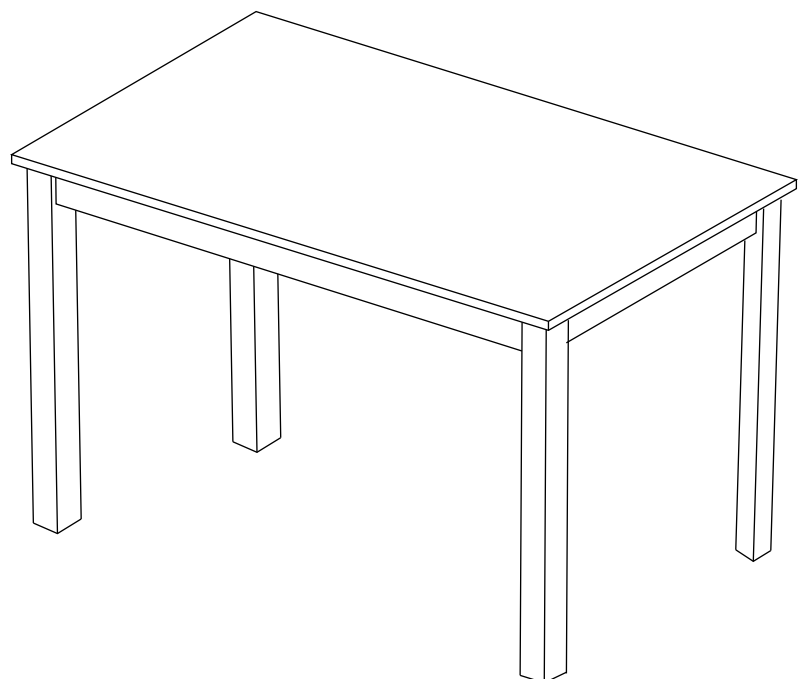
Assemble bolts **A**, spring washers **B** and flat washer **C** through corner block using hex key **D**.



Tighten the bolts, and repeat for all legs.

Step 2

Carefully turn the table over, and put the table on the floor



The assembly is complete.

Dining Chair

Assembly Instructions - Please keep for future reference

603/4135

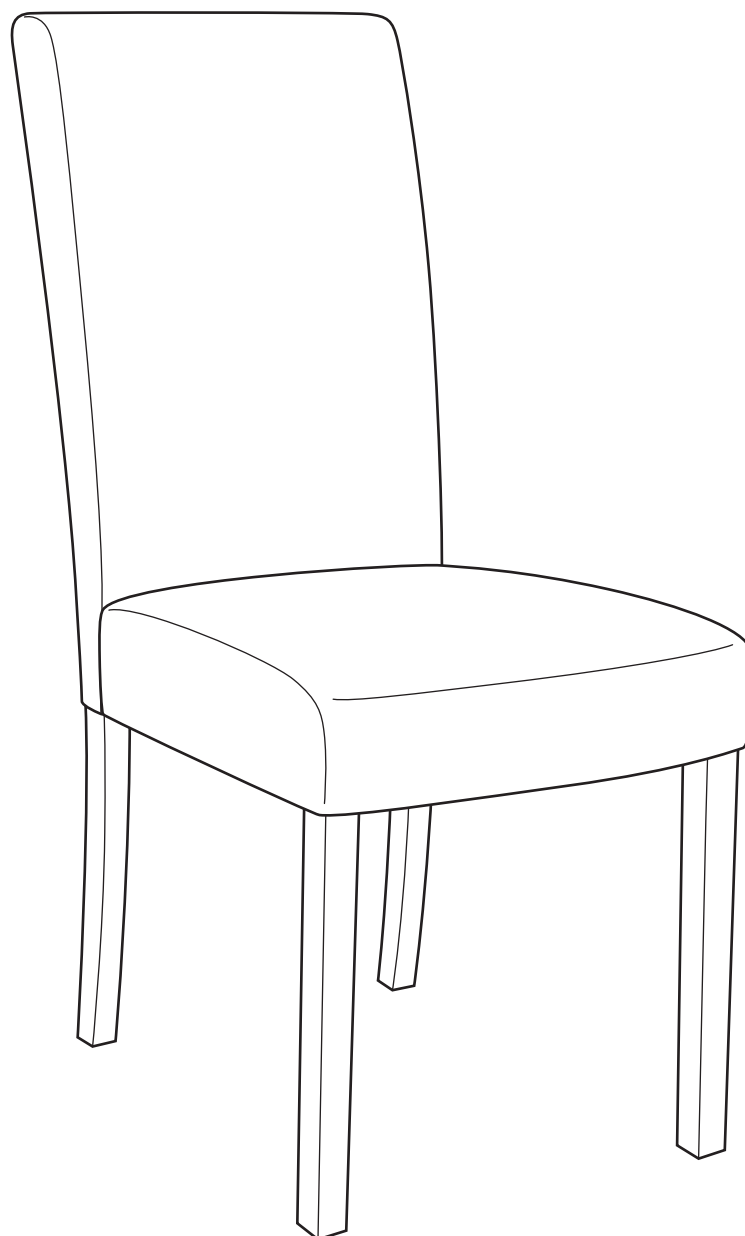
603/2333

603/2900

603/0452

602/9834

603/2364



Dimensions

Width - 44cm

Depth - 54cm

Height - 92cm

Important - Please read these instructions fully before starting assembly

If you need help or have damaged or missing parts, call the **Customer Helpline: 08456 400800**



Safety and Care Advice

Important - Please read these instructions fully before starting assembly

- Assemble this product on a flat surface.
- Assemble all parts loosely before tightening any bolts.
- Do not discard any of the packaging until you have checked that you have all the parts and the pack of fittings.

- Discard all extra fittings and keep fittings out of reach of children.
- Unit weight: 4.9kgs.
- Maximum safe weight of user: 110kgs.
- Retain Assembly Instructions for future reference.



- We do not recommend the use of power drill/drivers **for inserting screws**, as this could damage the unit. Only use hand screwdrivers.
- Dispose of all packaging carefully and responsibly.

Warnings

- This product should only be used on firm, level ground.
- Make sure the legs remain in contact with the ground.
- Do not stand on the product.

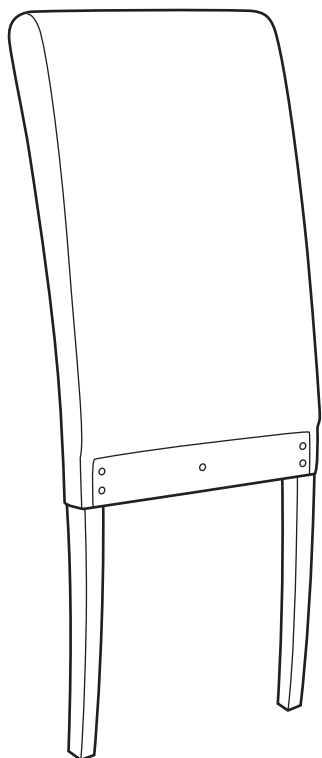
Care and maintenance

- Please clean the unit surface using either damp (not wet) cloth and a mild domestic soap solution or by using an appropriate polish.
- Do not use any abrasive materials when cleaning.
- From time to time check that there are no loose bolts on this unit.

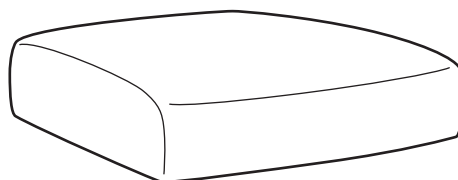
Components - Parts

If you have damaged or missing components, call the **Customer Helpline: 08456 400800**

Please check you have all the parts listed below



1 Backrest
(36 x 10 x 92cm)



2 Seat
(43.5 x 41 x 9.5cm)

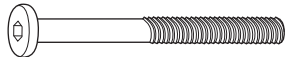
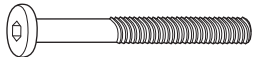

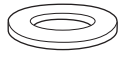



3 Leg x 2
(3 x 3 x 43cm)

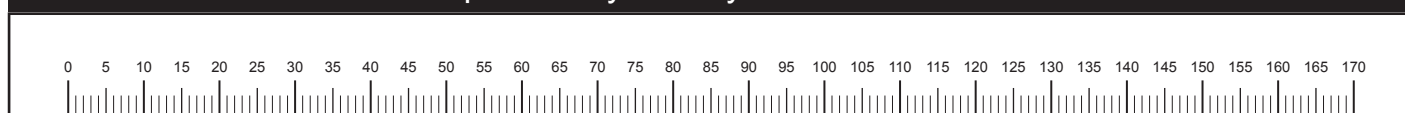
Components - Fittings

Please check you have all the fittings listed below

Note: The quantities below are the correct amount to complete the assembly. In some cases more fittings may be supplied than are required.

<p>A </p> <p>M6 x 85mm Bolt x 4</p>	<p>B </p> <p>M6 x 55mm Bolt x 5</p>	<p>C </p> <p>Spring washer x 9</p>
<p>D </p> <p>Washer x 9</p>	<p>E </p> <p>Allen key x 1</p>	

Ruler - Use this ruler to help correctly identify the screws



Assembly Instructions

Step 1

Attaching legs

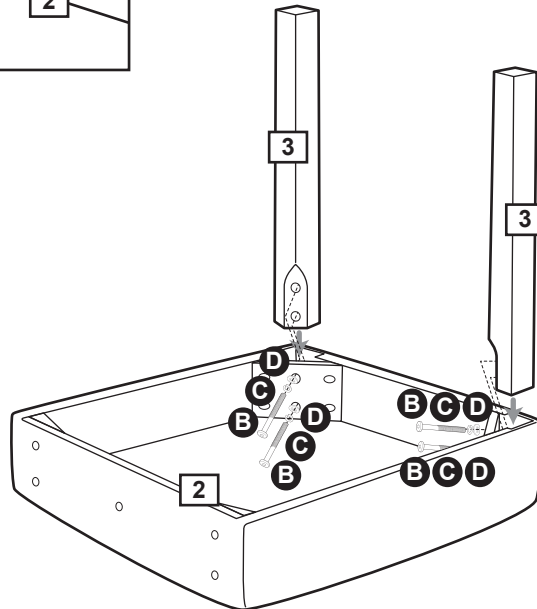
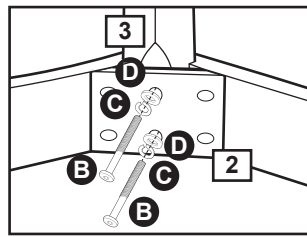
Place the seat **2** upside down on a flat protected surface.

Insert the legs **3** into the holes of the seat as shown and fix using bolts **B**, spring washer **C** and washers **D**. Tighten the bolts using allen key **E**.



Important:

Do not fully tighten bolts at this stage.



Step 2

Attaching backrest

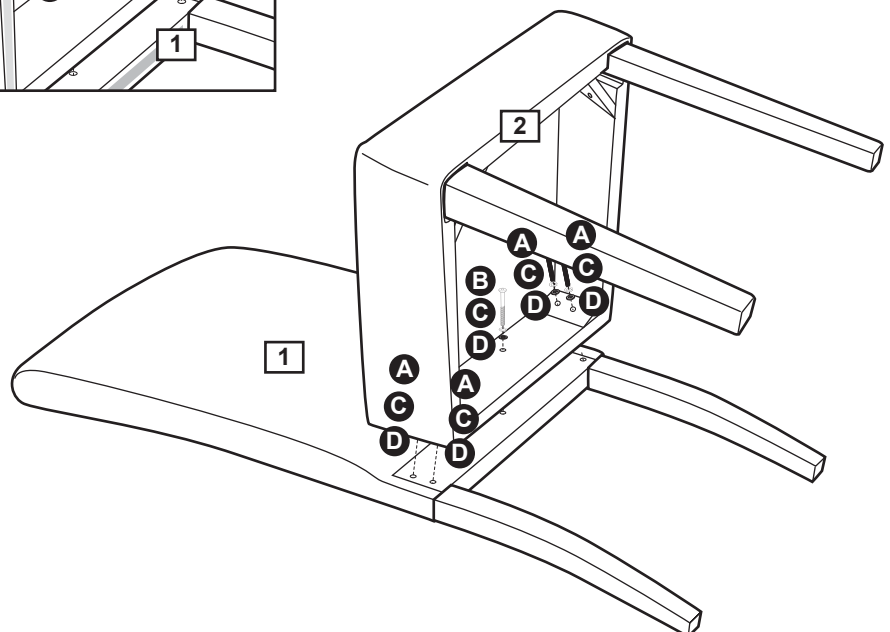
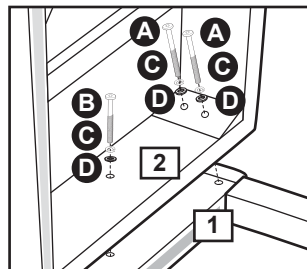
Place the backrest on a flat protected surface.

Position the seat **2** on the backrest **1** as shown and fix using bolts **A** & **B**, spring washers **C** and washers **D**. Tighten bolts using allen key **E**.



Important:

Do not fully tighten bolts at this stage.



Assembly Instructions

Step 3

Aligning & securing the legs

Carefully turn the chair upright and place on a flat surface.

a: Tighten all bolts using allen key **E**.

Note: This step is essential to prevent the chair from wobbling due to uneven legs.

b: Carefully sit on the chair and make adjustments to ensure the legs are flat even on the floor.

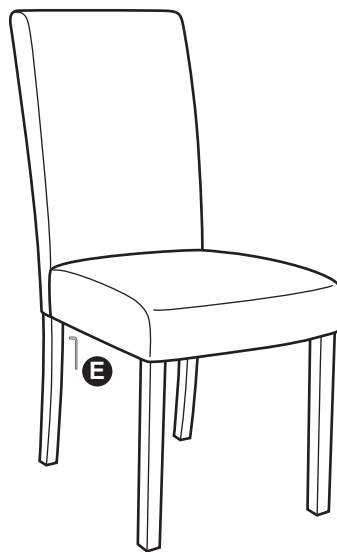
c: After the sitting test, re-tighten bolts again if any adjustment is needed.

Note: It is highly recommended to re-tighten all bolts after using the chair for 7 days.

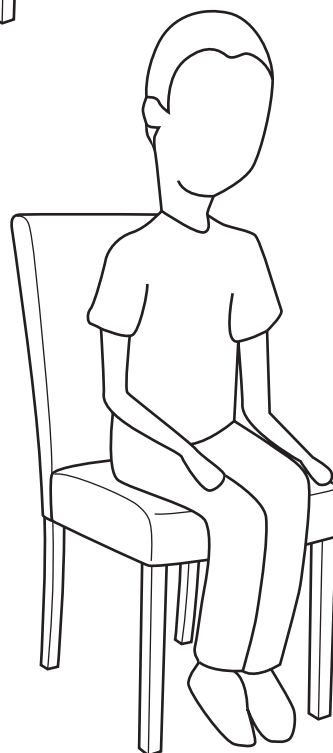
Note: Keep allen key to re-tighten bolts when required.

Assembly is complete.

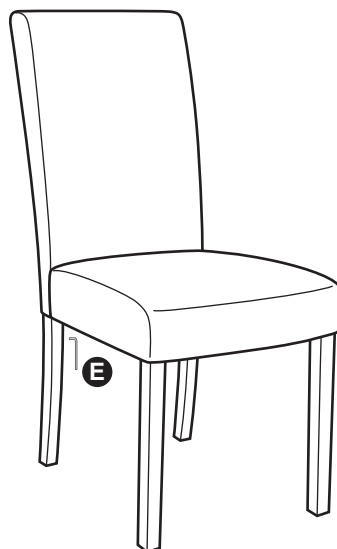
a:



b:



c:



If you need help or have damaged or missing parts, call the **Customer Helpline: 08456 400800**

Dining Chair

Assembly Instructions - Please keep for future reference

603/4135

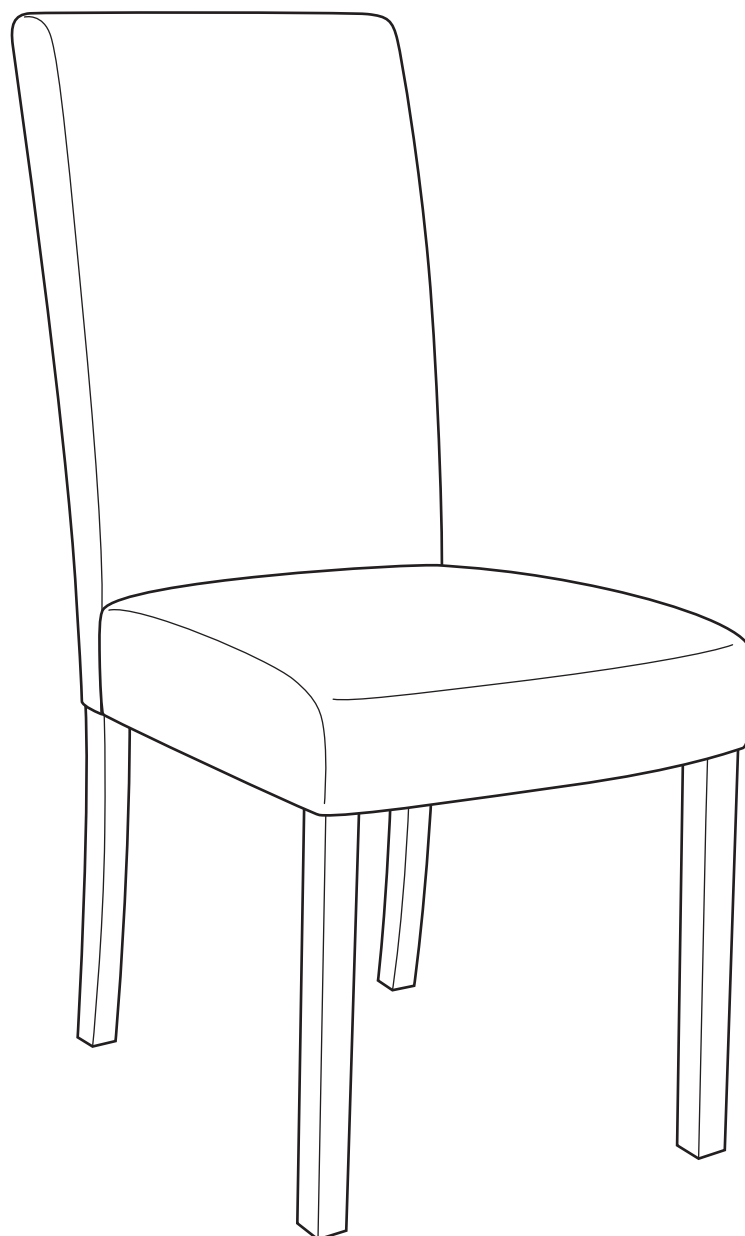
603/2333

603/2900

133/6948

602/9834

603/2364



Dimensions

Width - 44cm

Depth - 54cm

Height - 92cm

Important - Please read these instructions fully before starting assembly

If you need help or have damaged or missing parts, call the **Customer Helpline: 08456 400800**



Safety and Care Advice

Important - Please read these instructions fully before starting assembly

- Assemble this product on a flat surface.
- Assemble all parts loosely before tightening any bolts.
- Do not discard any of the packaging until you have checked that you have all the parts and the pack of fittings.

- Discard all extra fittings and keep fittings out of reach of children.
- Unit weight: 4.9kgs.
- Maximum safe weight of user: 110kgs.
- Retain Assembly Instructions for future reference.



- We do not recommend the use of power drill/drivers **for inserting screws**, as this could damage the unit. Only use hand screwdrivers.
- Dispose of all packaging carefully and responsibly.

Warnings

- This product should only be used on firm, level ground.
- Make sure the legs remain in contact with the ground.
- Do not stand on the product.

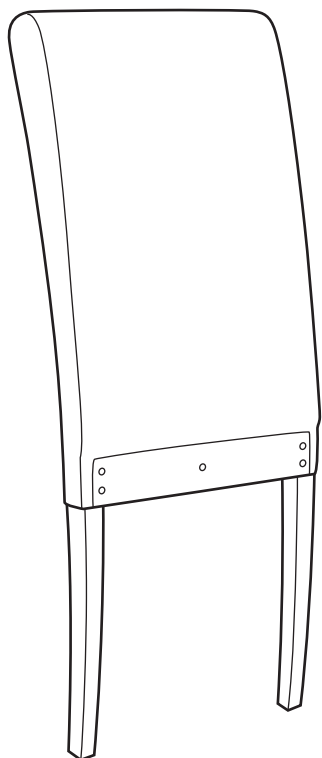
Care and maintenance

- Please clean the product using either damp (not wet) cloth and a mild domestic soap solution or by using an appropriate polish.
- Do not use any abrasive materials when cleaning.
- From time to time check that there are no loose bolts on this unit.

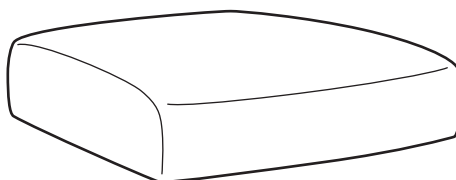
Components - Parts

If you have damaged or missing components, call the **Customer Helpline: 08456 400800**

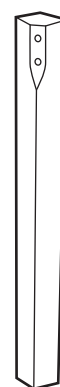
Please check you have all the parts listed below



1 Backrest
(36 x 10 x 92cm)



2 Seat
(43.5 x 41 x 9.5cm)

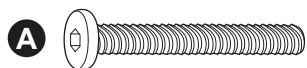


3 Leg x 2
(3 x 3 x 43cm)

Components - Fittings

Please check you have all the fittings listed below

Note: The quantities below are the correct amount to complete the assembly. In some cases more fittings may be supplied than are required.



A M6 x 50mm Bolt x 9



B Spring washer x 9

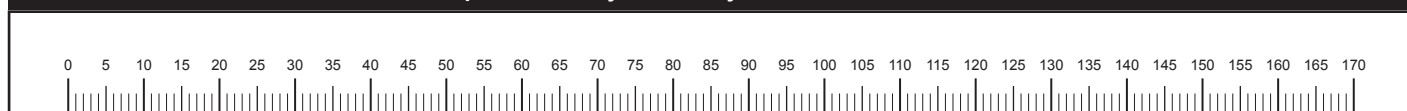


C Flat washer x 9



D Allen key x 1

Ruler - Use this ruler to help correctly identify the screws



Assembly Instructions

Step 1

Attaching legs

Place the seat **2** upside down on a flat protected surface.

Insert the legs **3** into the holes of the seat as shown and fix using bolts **A**, spring washers **B** and washers **C**.

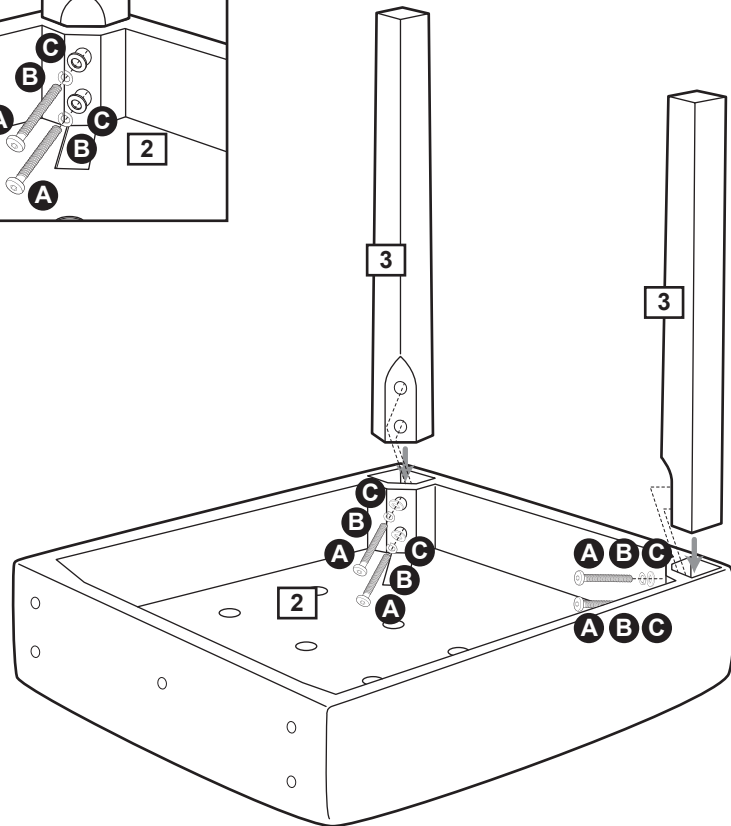
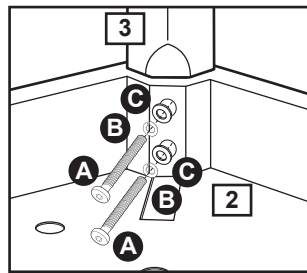


Important:

Fasten bolts using allen key **D** but do not fully tighten at this stage.

Note:

Use oval head of allen key **D** on tight angles.



Step 2

Attaching backrest

Place the backrest on a flat protected surface.

Position the seat **2** on the backrest **1** as shown and fix using bolts **A**, spring washers **B** and washers **C**.

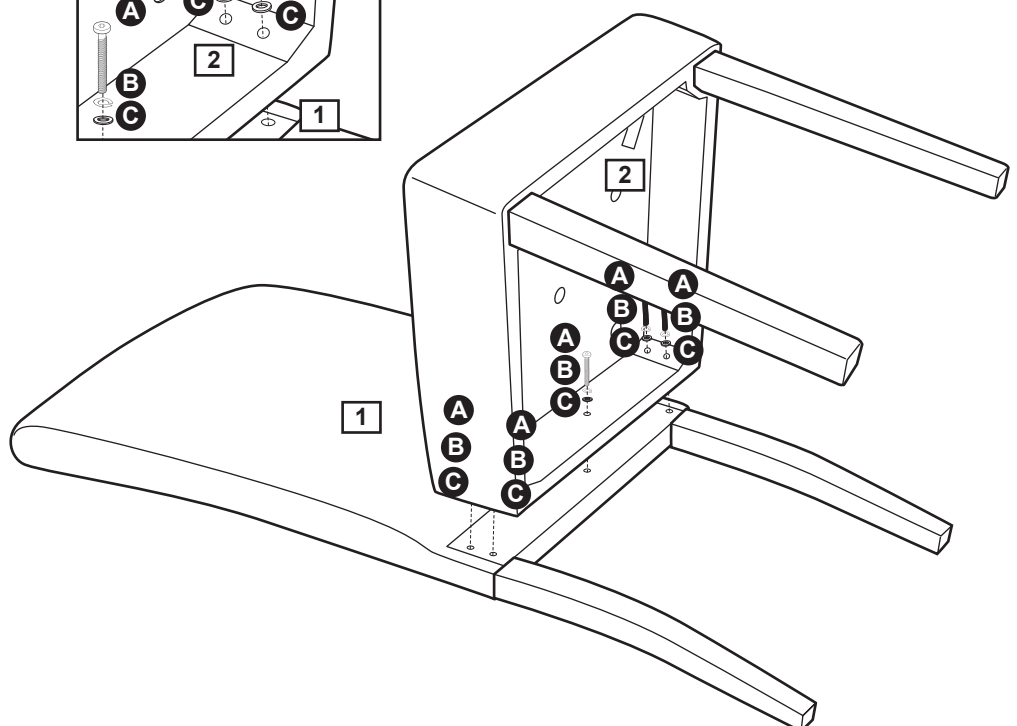
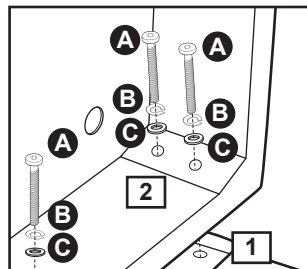


Important:

Fasten bolts using allen key **D** but do not fully tighten at this stage.

Note:

Use oval head of allen key **D** on tight angles.



Assembly Instructions

Step 3

Aligning & securing the legs

Carefully turn the chair upright and place on a flat surface.

a: Tighten all bolts using allen key **D**.

Note:

Use oval head of allen key **D** on tight angles.

Note: This step is essential to prevent the chair from wobbling due to uneven legs.

b: Carefully sit on the chair and make adjustments to ensure the legs are flat even on the floor.

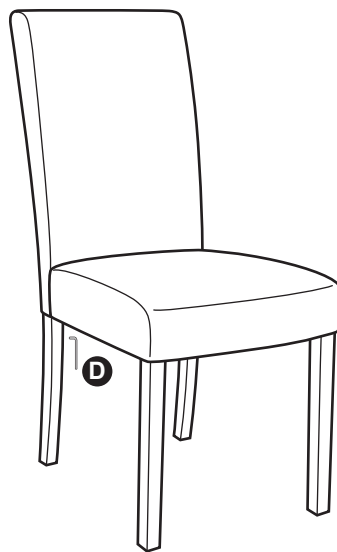
c: After the sitting test, re-tighten bolts again if any adjustment is needed.

Note: It is highly recommended to re-tighten all bolts after using the chair for 7 days.

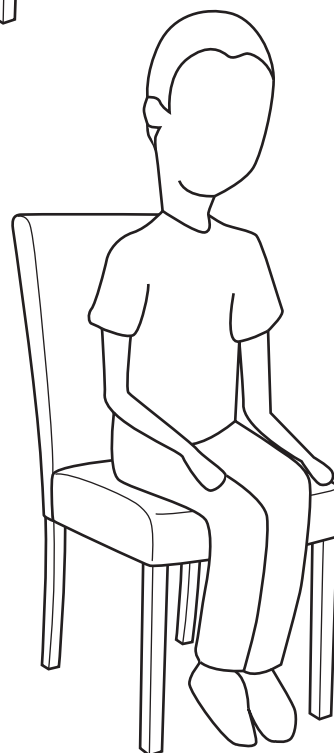
Note: Keep allen key to re-tighten bolts when required.

Assembly is complete.

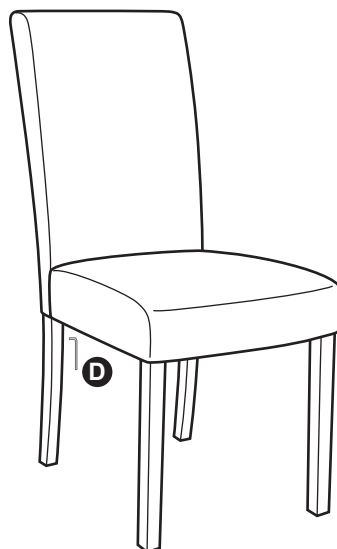
a:



b:



c:



If you need help or have damaged or missing parts, call the **Customer Helpline: 08456 400800**

Dining Chair

Assembly Instructions - Please keep for future reference

600/1584

603/2364

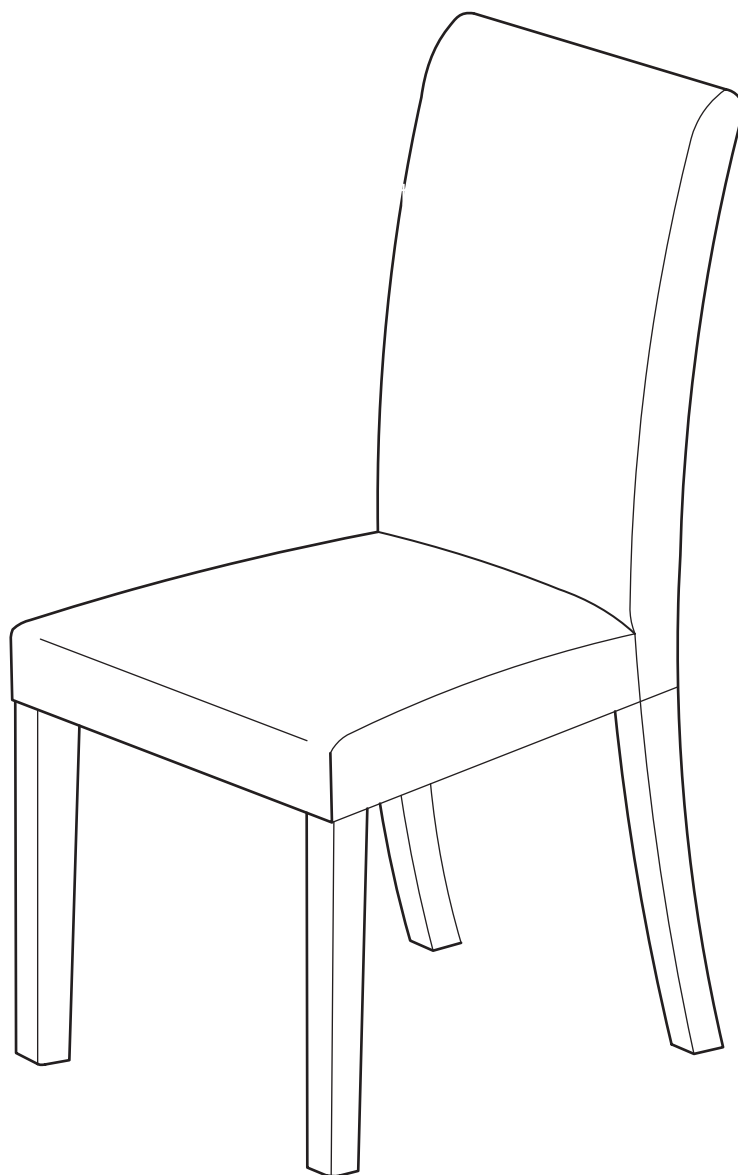
603/0452

600/3654

160/609

603/0830

603/2333



Dimensions

Width - 43.5cm

Deep - 52.5cm

Height - 92cm

Important Please read these instructions fully before starting assembly

If you need help or have damaged or missing parts, call the **Customer Helpline: 0845 640 0800**



afety and Care Advice

Important Please read these instructions fully before starting assembly

- Check you have all the components and tools listed on pages and .
- Remove all fittings from the plastic bags and separate them into their groups.
- Keep children and animals away from the work area, small parts could choke if swallowed.
- Make sure you have enough space to layout the parts before starting.

- Do not stand or put weight on the product, this could cause damage.
- Assemble the item as close to its final position (in the same room as possible.
- Assemble on a soft level surface to avoid damaging the unit or your oor.
- Parts of the assembly will be easier with people.



• We do not recommend the use of power drill drivers **for inserting screws**, as this could damage the unit. Only use hand screwdrivers.

- Dispose of all packaging carefully and responsibly.

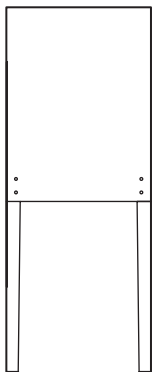
Care and maintenance

- Only clean using a damp cloth and mild detergent, do not use bleach or abrasive cleaners.

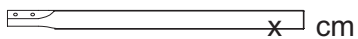
- From time to time check that there are no loose screws on this unit.

- This product should not be discarded with household waste. Take to your local authority waste disposal centre.

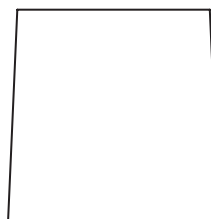
Components - Panels



1 Back frame (36.5 x 92cm)



2 Leg x 2 (3.2 43)



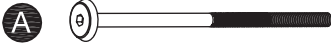
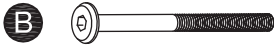


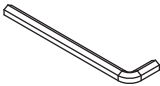
3 Box seat (43.5 x 41.5cm)

Components - Fittings

If you have damaged or missing components, call the **Customer Helpline: 0845 640 0800**

Please check you have all the fittings listed below

Note: The quantities below are the correct amount to complete the assembly. In some cases more fittings may be supplied than are required.

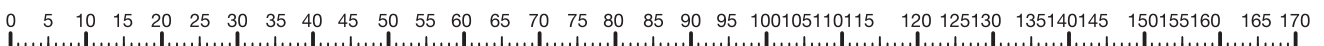
 <p>A</p> <p>M6x85mm Bolt x 8</p>	 <p>B</p> <p>M6x55mm Bolt x 10</p>	 <p>C</p> <p>Ø18x1mm Washer x 18</p>
 <p>D</p> <p>Ø11x1.5mm Spring washer x 16</p>	 <p>E</p> <p>4mm Hex Key x 1</p>	

Tools required



Ruler/tape
measure

Ruler - Use this ruler to help correctly identify the screws



Assembly Instructions

Step 1

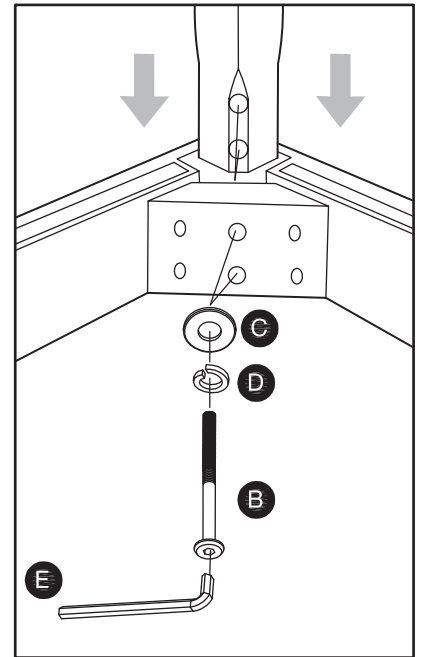
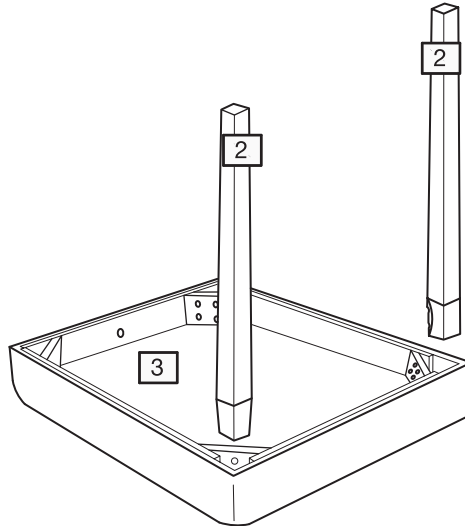
Fitting legs

Locate the corners of the box seat opposite to the center hole.

Insert the legs **2** into the corners of the box seat **3**.

Assemble bolts **B**, spring washers **D** and washers **C** through each corner block of the box seat **3** using hex key **E**.

Tighten the bolts.



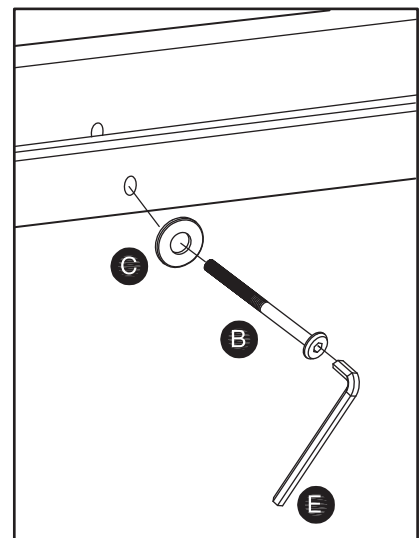
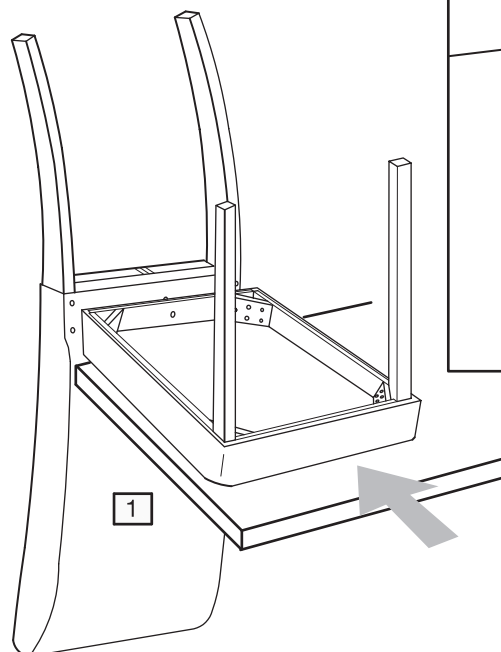
Step 2

Attaching back frame

Place the box seat **3** on the back frame **1**.

Assemble the bolt **B** and washer **C** onto the back frame **1** using hex key **E**.

Do not tighten the bolts at this point.



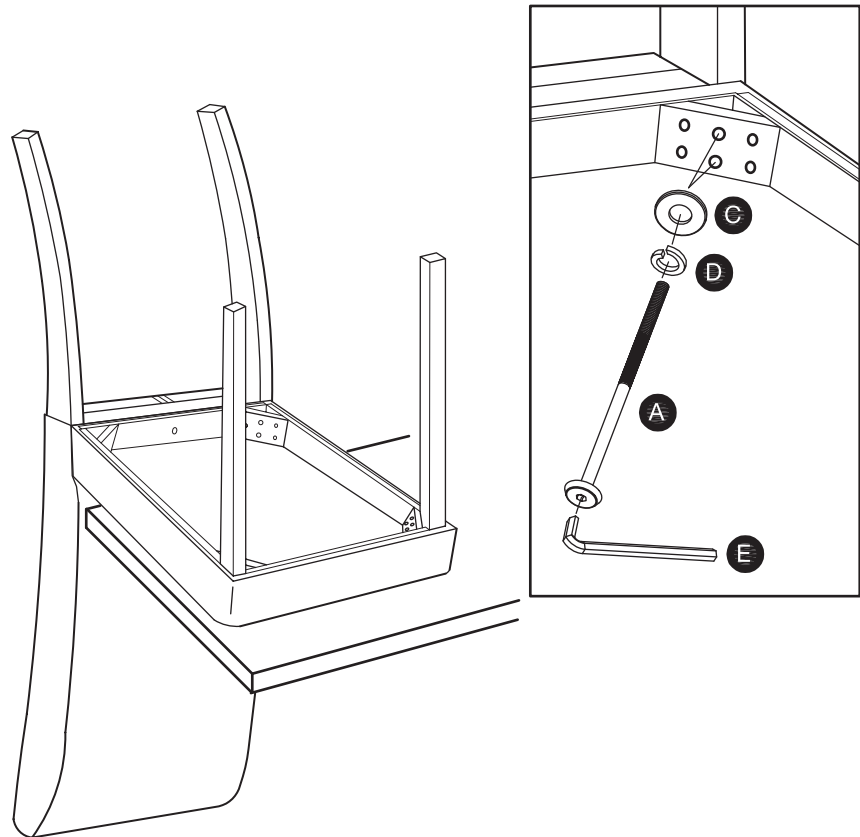
Assembly Instructions

Step 3

Fitting bolts

Assemble bolts **A**, spring washers **D** and washers **C** through each corner block of the box seat **3** to the back frame **1**.

Do not tighten the bolts at this point in time.



Step 4

Carefully turn the chair over, and put the chair on the oor.

Step 5

Tighten each loose bolt a little at a time while making sure the chair remains level. Repeat until all loose bolts are tight.

Repeat with remaining chairs.

