

# Dining Chair

**Assembly Instructions** - Please keep for future reference

600/1584

603/2364

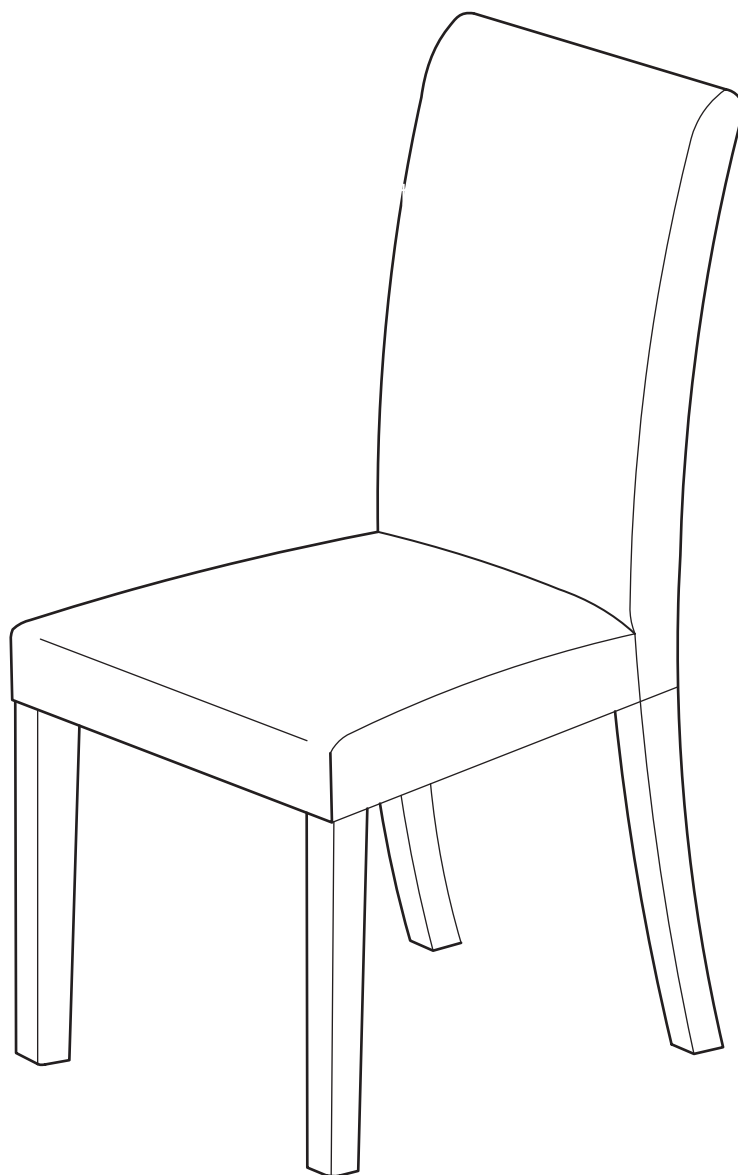
603/0452

600/3654

160/609

603/0830

603/2333



## Dimensions

Width - 43.5cm

Deep - 52.5cm

Height - 92cm

**Important** Please read these instructions fully before starting assembly

If you need help or have damaged or missing parts, call the **Customer Helpline: 0845 640 0800**



# afety and Care Advice

**Important** Please read these instructions fully before starting assembly

- Check you have all the components and tools listed on pages and .
- Remove all fittings from the plastic bags and separate them into their groups.
- Keep children and animals away from the work area, small parts could choke if swallowed.
- Make sure you have enough space to layout the parts before starting.

- Do not stand or put weight on the product, this could cause damage.
- Assemble the item as close to its final position (in the same room as possible).
- Assemble on a soft level surface to avoid damaging the unit or your oor.
- Parts of the assembly will be easier with people.



• We do not recommend the use of power drill drivers **for inserting screws**, as this could damage the unit. Only use hand screwdrivers.

- Dispose of all packaging carefully and responsibly.

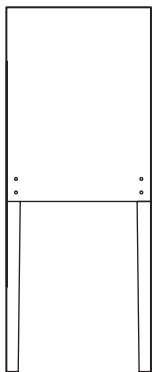
## Care and maintenance

- Only clean using a damp cloth and mild detergent, do not use bleach or abrasive cleaners.

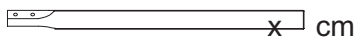
- From time to time check that there are no loose screws on this unit.

- This product should not be discarded with household waste. Take to your local authority waste disposal centre.

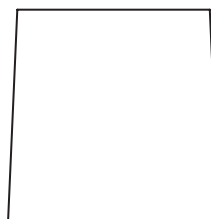
# Components - Panels



1 Back frame (36.5 x 92cm)



2 Leg x 2 (3.2 43 )



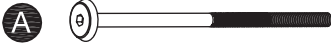
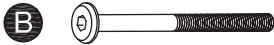


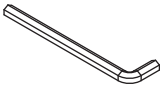
3 Box seat (43.5 x 41.5cm)

# Components - Fittings

If you have damaged or missing components, call the **Customer Helpline: 0845 640 0800**

Please check you have all the fittings listed below

**Note:** The quantities below are the correct amount to complete the assembly. In some cases more fittings may be supplied than are required.

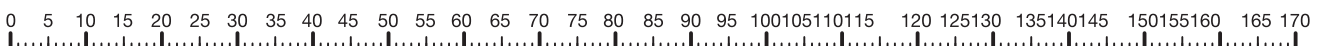
 <p><b>A</b></p> <p>M6x85mm Bolt x 8</p>	 <p><b>B</b></p> <p>M6x55mm Bolt x 10</p>	 <p><b>C</b></p> <p>Ø18x1mm Washer x 18</p>
 <p><b>D</b></p> <p>Ø11x1.5mm Spring washer x 16</p>	 <p><b>E</b></p> <p>4mm Hex Key x 1</p>	

## Tools required



Ruler/tape  
measure

Ruler - Use this ruler to help correctly identify the screws



# Assembly Instructions

## Step 1

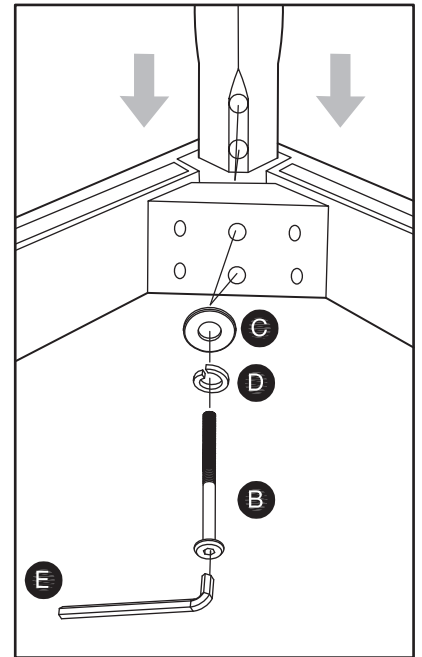
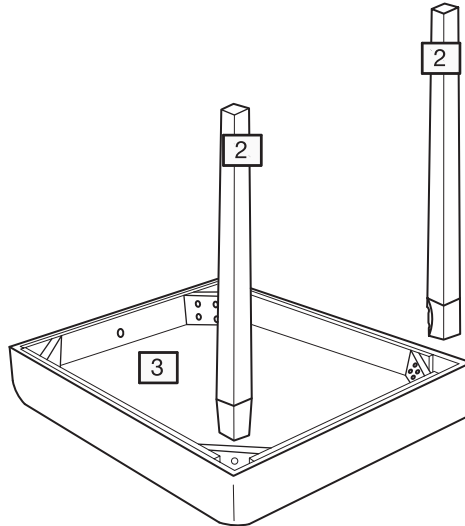
### Fitting legs

Locate the corners of the box seat opposite to the center hole.

Insert the legs **2** into the corners of the box seat **3**.

Assemble bolts **B**, spring washers **D** and washers **C** through each corner block of the box seat **3** using hex key **E**.

Tighten the bolts.



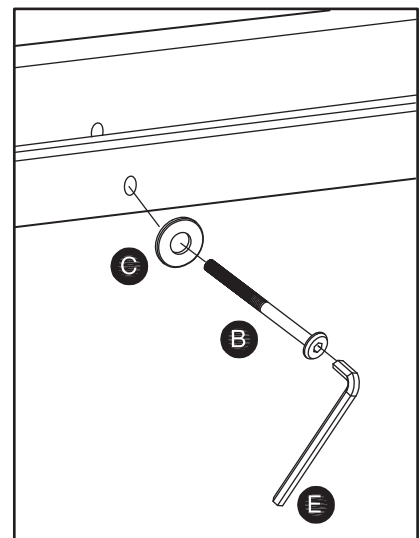
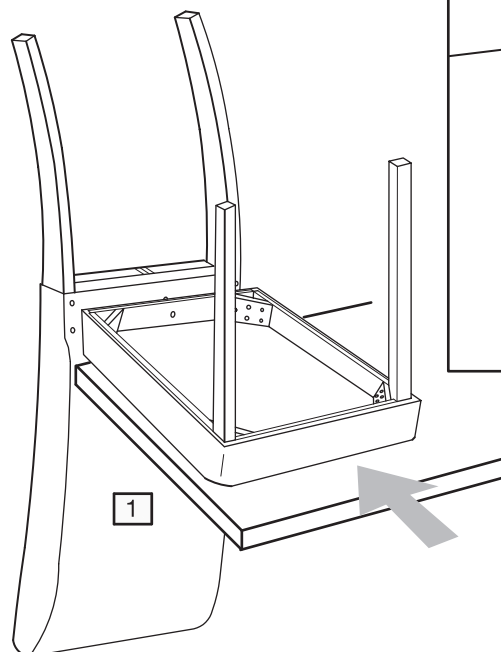
## Step 2

### Attaching back frame

Place the box seat **3** on the back frame **1**.

Assemble the bolt **B** and washer **C** onto the back frame **1** using hex key **E**.

Do not tighten the bolts at this point.



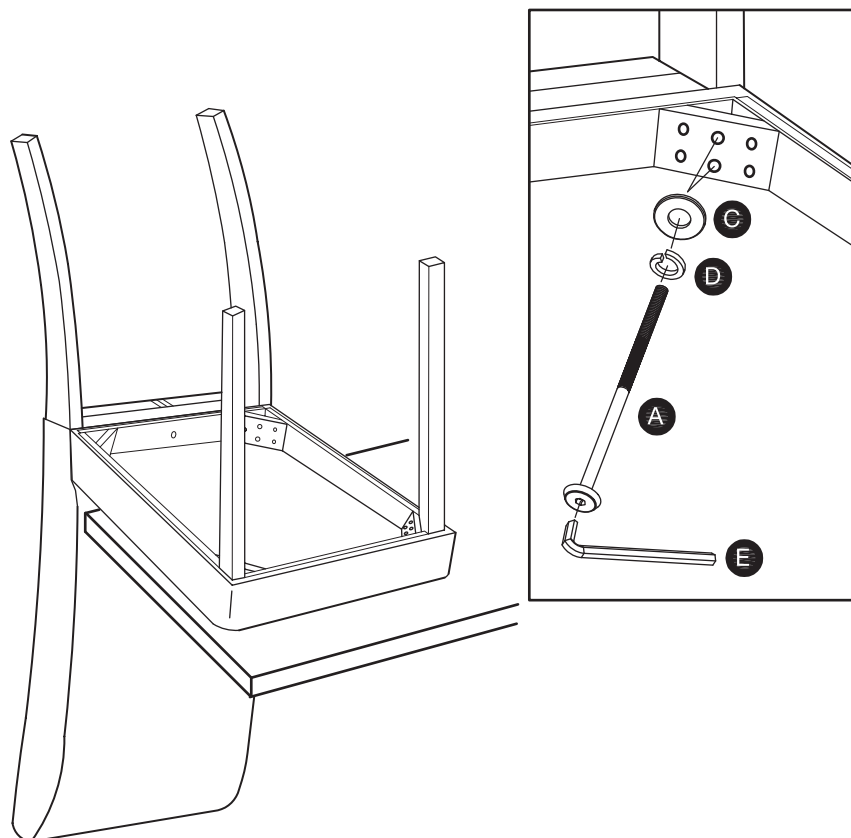
# Assembly Instructions

## Step 3

### Fitting bolts

Assemble bolts **A**, spring washers **D** and washers **C** through each corner block of the box seat **3** to the back frame **1**.

Do not tighten the bolts at this point in time.



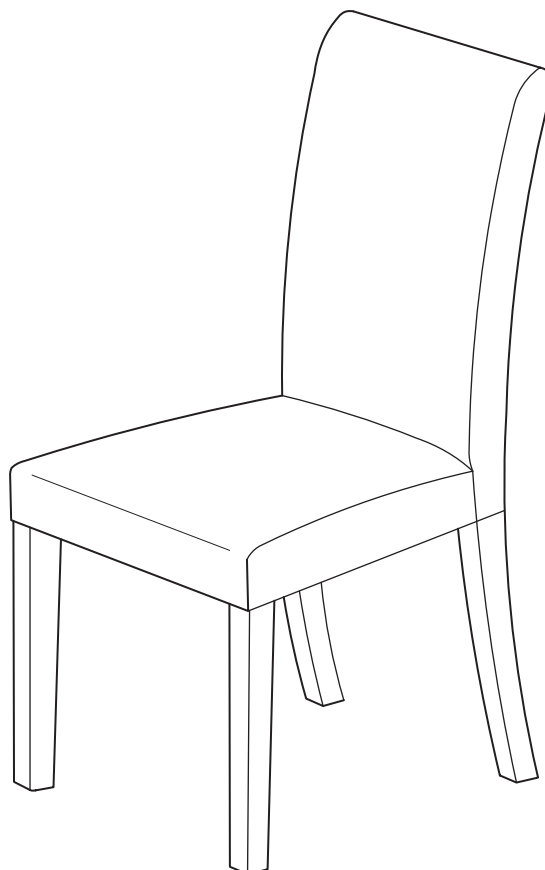
## Step 4

Carefully turn the chair over, and put the chair on the oor.

## Step 5

Tighten each loose bolt a little at a time while making sure the chair remains level. Repeat until all loose bolts are tight.

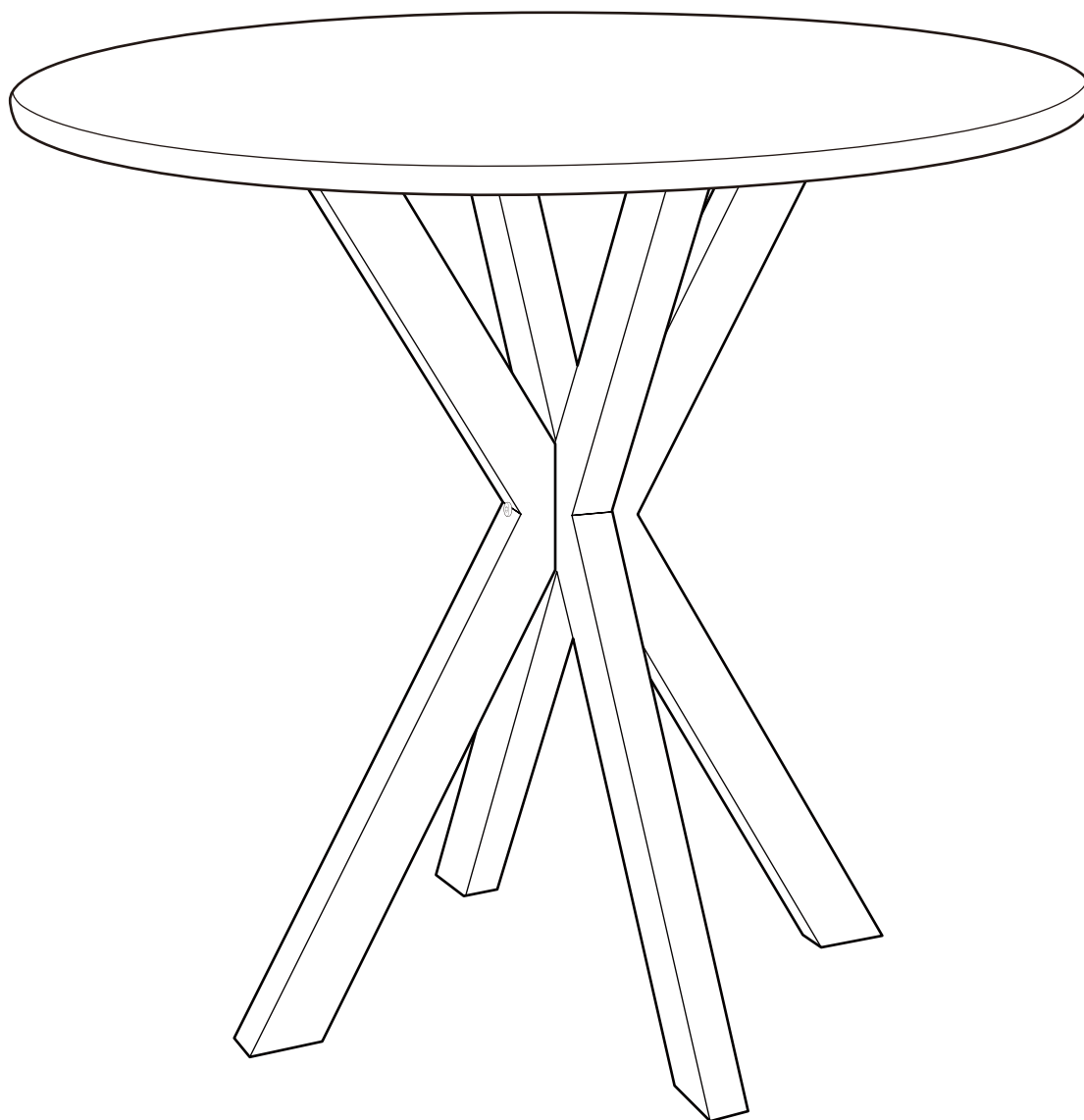
Repeat with remaining chairs.



# Oslo Oak Table

Assembly Instructions - Please keep for future reference

603/3071



## Dimensions

Width - 100cm  
Depth - 100cm  
Height - 75cm

**Important - Please read these instructions fully before starting assembly**

If you need help or have damaged or missing parts, call the **Customer Helpline: 08456 400800**



# Safety and Care Advice

## Important - Please read these instructions fully before starting assembly

- We suggest you spend a short time reading through this leaflet and follow the simple step by step assembly instructions.
- Do not discard any of the packaging until you have checked that you have all the parts and the pack of fittings.
- Assemble this product on a flat surface.

- Assemble all parts loosely before tightening any bolts.
- Discard all extra fittings and keep fittings out of reach of children.
- Unit weight: 21kgs.
- At least 2 people are required to assemble this product.
- Retain Assembly Instructions for future reference.



- We do not recommend the use of power drill/drivers **for inserting screws**, as this could damage the unit. Only use hand screwdrivers.
- Dispose of all packaging carefully and responsibly.

## Warnings

- This product should only be used on firm, level ground.
- Make sure the legs remain in contact with the ground.
- Do not stand on the product.

## Care and maintenance

- Please clean the table surface using either damp (not wet) cloth and a mild domestic soap solution or by using an appropriate polish.
- Do not use any abrasive materials when cleaning.
- From time to time check that there are no loose bolts on this unit.



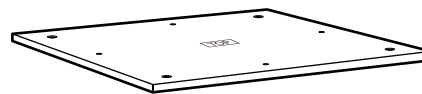
# Components - Parts

If you have damaged or missing components, call the **Customer Helpline: 08456 400800**

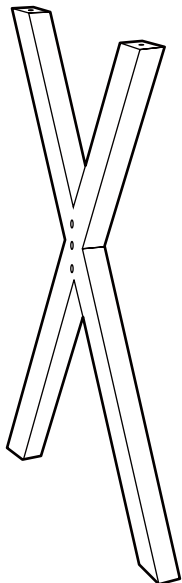
Please check you have all the parts listed below



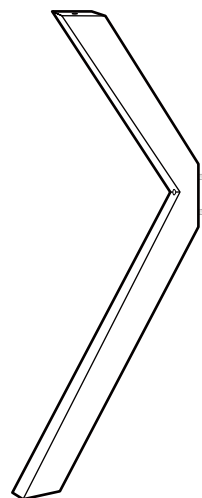
**1** Table Top  
(100 x 100 x 2cm)



**2** Mounting board  
(48 x 48 x 1.5cm)



**3** Big leg  
(80 x 71.5 x 6cm)

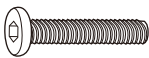
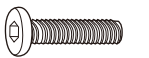





**4** Small leg x 2  
(40 x 71.5 x 6cm)

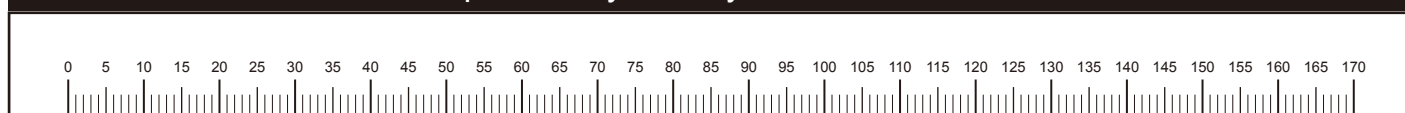
# Components - Fittings

Please check you have all the fittings listed below

**Note:** The quantities below are the correct amount to complete the assembly. In some cases more fittings may be supplied than are required.

<p><b>A</b> </p> <p>M6 x 60mm Bolt x 2</p>	<p><b>B</b> </p> <p>M6 x 30mm Bolt x 8</p>	<p><b>C</b> </p> <p>Spring Washer x 4</p>
<p><b>D</b> </p> <p>Washer x 4</p>	<p><b>E</b> </p> <p>Allen Key x 1</p>	

**Ruler** - Use this ruler to help correctly identify the screws

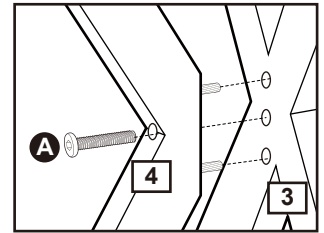
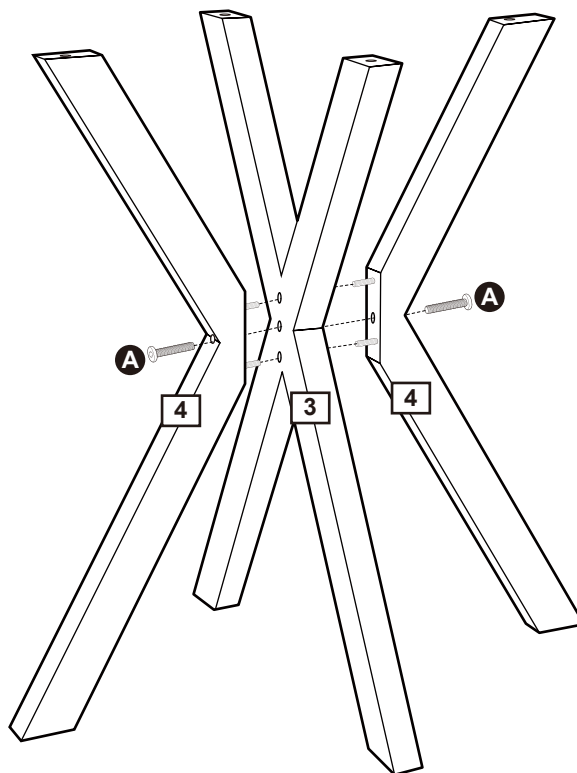


# Assembly Instructions

## Step 1

### Attaching legs

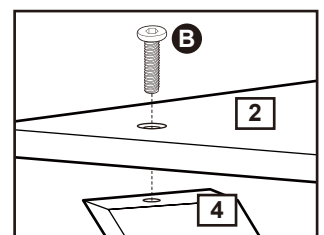
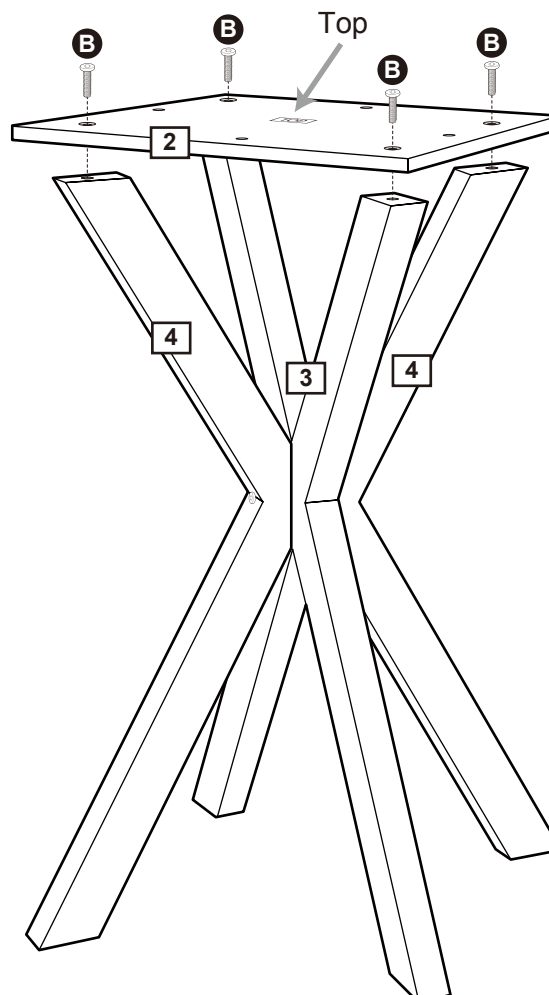
Attach the small legs **4** to the big leg **3** by inserting the wooden dowels into holes as shown. Then secure using bolts **A**. Tighten bolts using allen key **E**.



## Step 2

### Attaching mounting board

Attach the mounting board **2** onto legs and ensure that the surface with the label "TOP" is facing up as shown. Then fix using bolts **B**. Tighten bolts using allen key **E**.

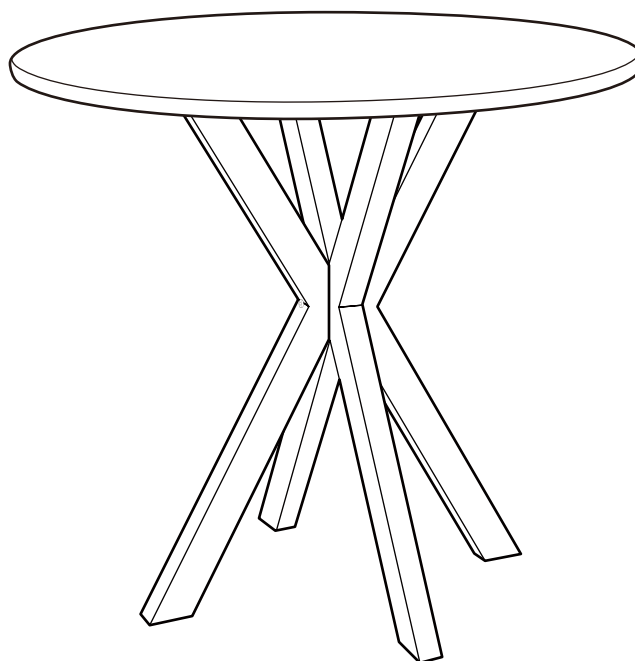
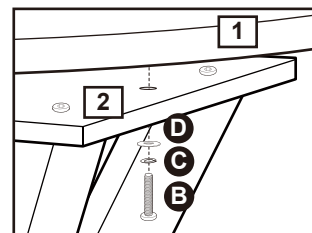
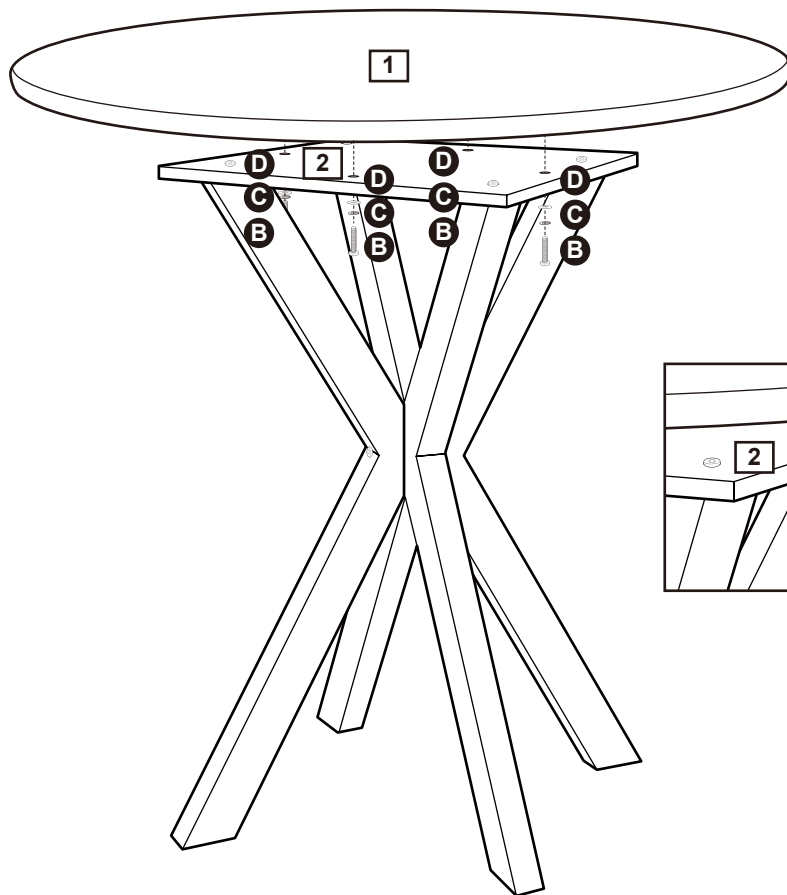


# Assembly Instructions

## Step 3

### Attaching table top

Attach the table top **1** onto the mounting board **2** as shown and secure using bolts **B** washer **D** and spring washer **C**. Tighten bolts using allen key **E**.



**Assembly is complete.**

If you need help or have damaged or missing parts, call the **Customer Helpline: 08456 400800**