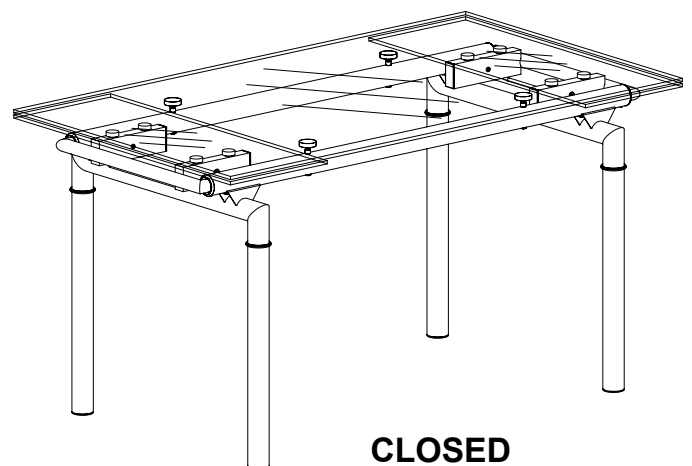
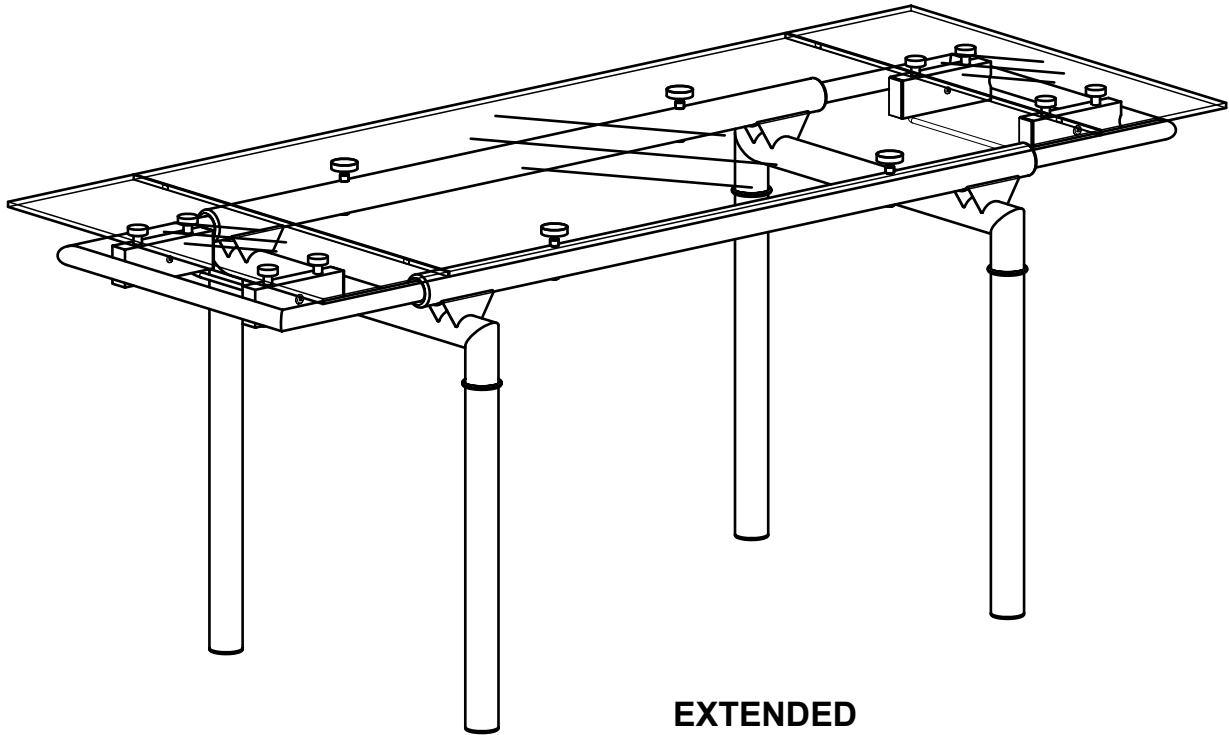


# Savannah Dining Table

Assembly Instructions – Please keep for future reference

602/3919

603/1217



## Dimensions

Extended	Closed
Width - 200cm	Width - 140cm
Depth - 80cm	Depth - 80cm
Height - 75cm	Height - 75cm

**Important** – Please read these instructions fully before starting assembly

If you need help or have damaged or missing parts, call the Customer Helpline: 01799 513466



# Safety and Care Advice

## Important – Please read these instructions fully before starting assembly

- Check you have all the components and tools listed on pages 2 and 3.
- Remove all fittings from the plastic bags and separate them into their groups.
- Keep children and animals away from the work area, small parts could choke if swallowed.
- Make sure you have enough space to layout the parts before starting.
- Do not stand or put excessive weight on the product, this could cause damage.
- Assemble the item as close to its final position (in the same room) as possible.
- Parts of the assembly will be easier with 2 people.
- Dispose of all packaging carefully and responsibly.
- Place the product on flat and steady surface during use.
- Assemble on a soft level surface to avoid damaging the unit or your floor.
- Keep these instructions for further use.
- To ensure an easier assembly, we strongly advise that all fittings are only finger tightened during initial assembly. Only upon completion of the assembly should all fixing points be fully tightened.

## Glass safety

- This product complies with BS7376: 2004.
- Imported by:  
Justwise Group Ltd  
6 The Shires  
Shirehill Industrial Estate  
Saffron Walden  
Essex  
CB11 3AP
- Product stock ref: DTSAV (Clear Glass)  
DTSAVB (Black Glass)
- P/O No:
- If the glass is chipped or broken, stop using the product and consult the Manufacturer of Supplier.

### **WARNINGS**

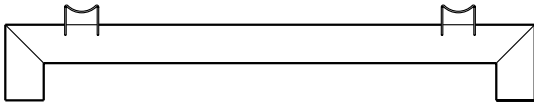
- a) Do not place very hot or very cold items on the glass surface(s) unless adequately thick table mats are used to prevent such items from coming into contact with the glass..
- b) Do not sit or stand upon the glass surface(s).
- c) Do not use the glass as a chopping surface. Do not strike the glass with hard or pointed items.
- d) When cleaning glass panels use a damp cloth or leather with washing up liquid or soft soap if necessary, do not use washing powders or any other substance containing abrasives since these substances scratch glass.

## Care and maintenance

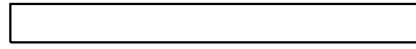
- Only clean using a damp cloth and mild detergent, do not use bleach or abrasive cleaners.
- From time to time check that there are no loose screws on this unit.
- This product should not be discarded with household waste. Take to your local authority waste disposal centre.

# Components - Parts

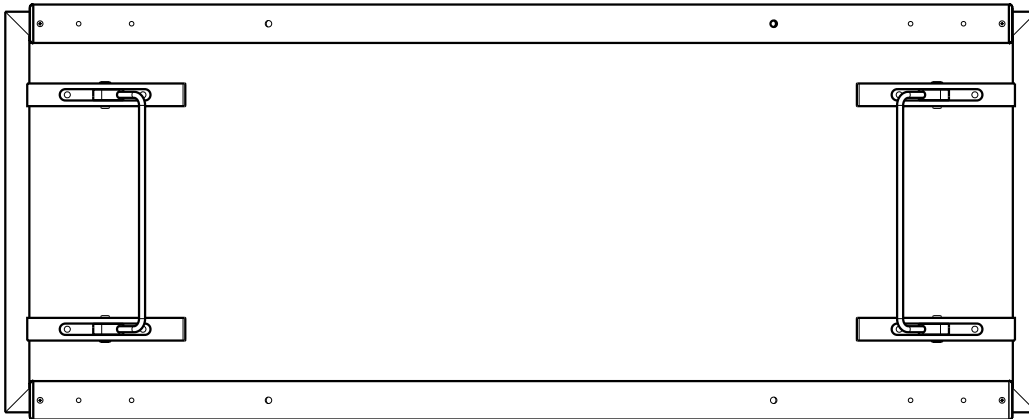
Please check you have all the parts listed below



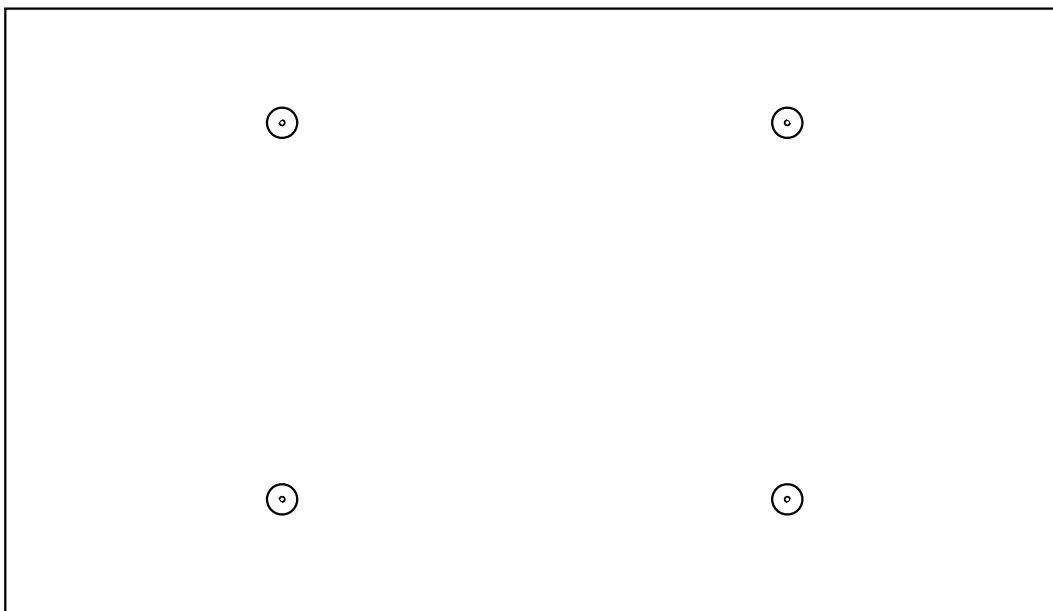
**1** Leg frame x 2  
(70 x 12.6cm)



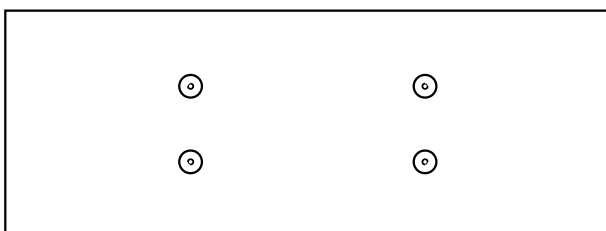
**2** Leg x 4  
(54.8 x Ø5.1cm)



**3** Top frame (138 x 60.7cm)



**4** Glass top (140 x 80cm)



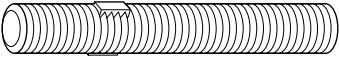

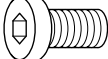


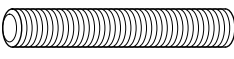


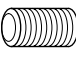



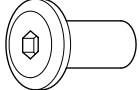

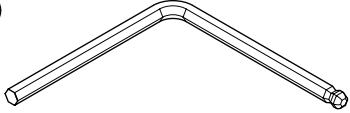
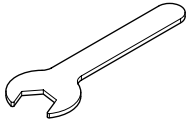
**5** Glass extension leaves x 2 (80 x 30cm)

# Components - Fittings

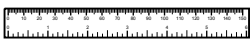
If you have damaged or missing components, call the **Customer Helpline: 01799 513466**

Please check you have all the fittings listed below

**Note:** The quantities below are the correct amount to complete the assembly. In some cases more fittings may be supplied than are required.

<p><b>A</b></p>  <p>75mm Large stud x 4</p>	<p><b>B</b></p>  <p>Leg spacer x 4</p>	<p><b>C</b></p>  <p>13mm Allen screw x 16</p>
<p><b>D</b></p>  <p>Spring washer x 8</p>	<p><b>E</b></p>  <p>Ø16mm Plain washer x 8</p>	<p><b>F</b></p>  <p>68mm Medium stud x 4</p>
<p><b>G</b></p>  <p>Nut x 4</p>	<p><b>H</b></p>  <p>10mm Threaded spacer x 4</p>	<p><b>J</b></p>  <p>15mm Short stud x 8</p>
<p><b>K</b></p>  <p>Rubber washer x 8</p>	<p><b>L</b></p>  <p>14mm Threaded spacer x 8</p>	<p><b>M</b></p>  <p>Ø18mm Plain washer x 4</p>
<p><b>N</b></p>  <p>Nut x 4</p>	<p><b>O</b></p>  <p>Rubber pad x 4</p>	<p><b>P</b></p>  <p>Allen key x 1</p>
<p><b>Q</b></p>  <p>Spanner x 1</p>		

## Tools required



Ruler/tape  
measure

Ruler – Use this ruler to help correctly identify the screws



# Assembly Instructions

## Step 1

### Assembling leg frames

Place leg frame **1** upside down onto the floor.

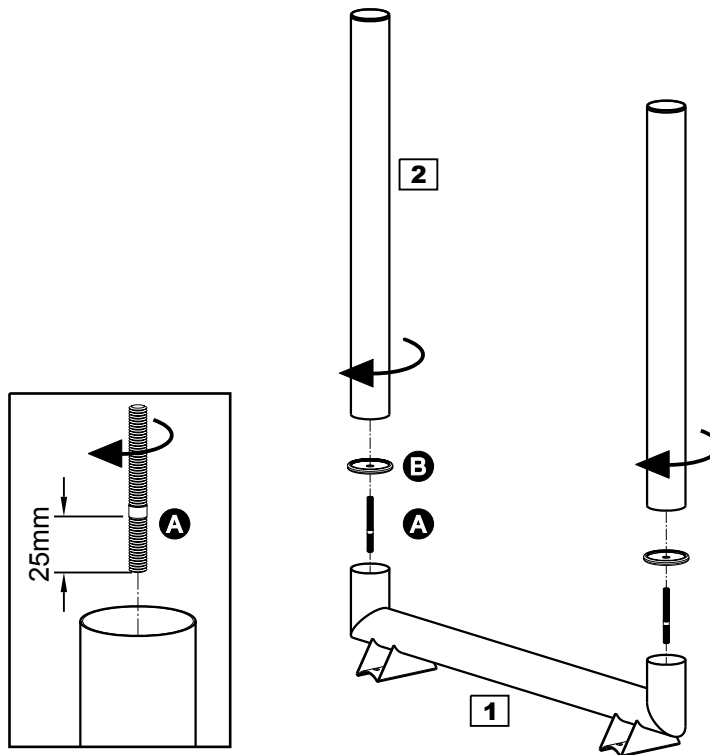
Screw large threaded rods **A** into leg frames **1** as shown.

*Note:* Screw the short end in until it stops.

Locate leg spacers **B** over the threaded rods.

Screw legs **2** onto threaded rods and tighten.

Repeat for other leg frame.

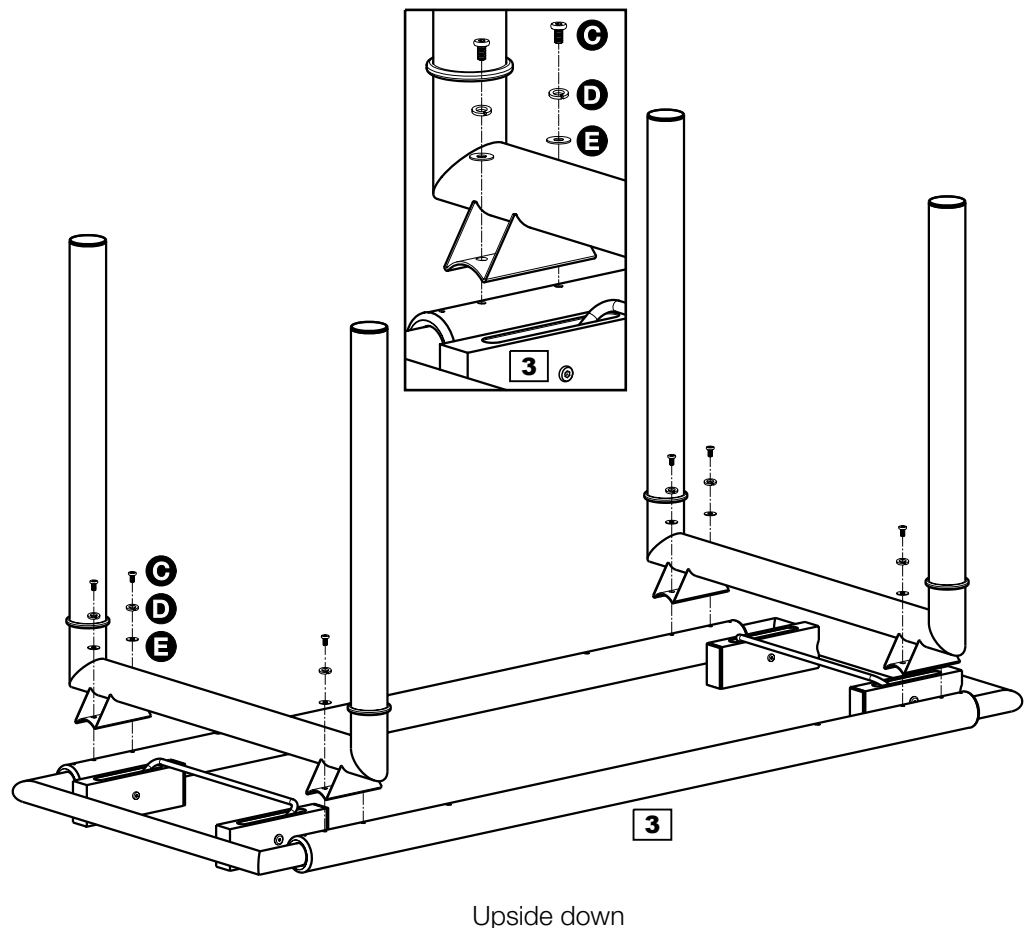


## Step 2

### Assembling side rails

Place top frame **3** upside down onto a clean flat surface.

Assemble leg frames to the top frame using fixings **C**, **D** and **E**.



# Assembly Instructions

## Step 3

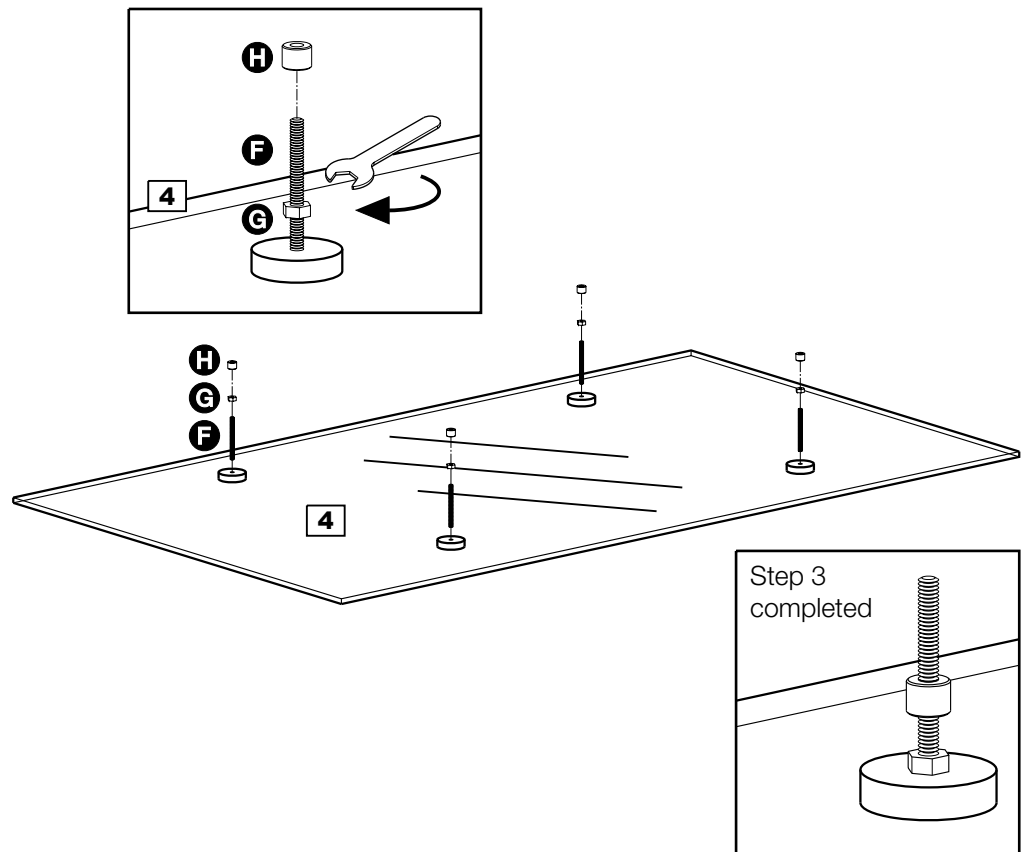
### Preparing glass top

Place glass top **4** upside down onto a clean flat surface.

Screw medium threaded rods **F** into the metal discs on the underside of glass top **4**.

Screw nuts **G** onto threaded rods and use the spanner to tighten onto the metal discs.

Screw threaded spacers **H** half way onto the threaded rods.



## Step 4

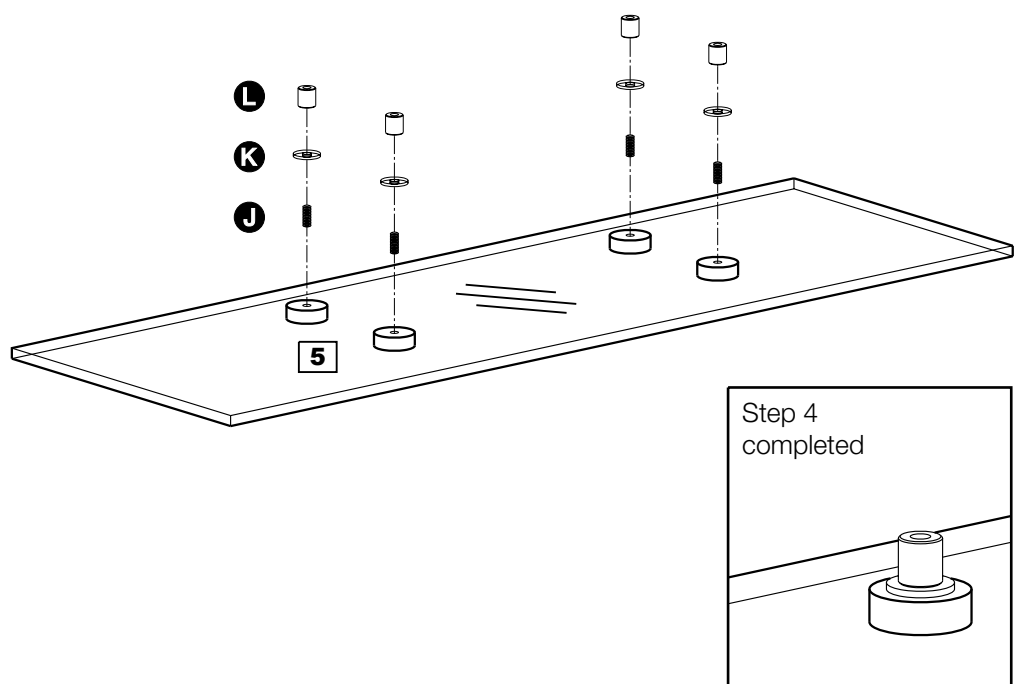
### Preparing extension leaves

Place extension leaves **5** upside down onto a clean flat surface.

Screw short threaded rods **J** into the metal discs on the underside of extension leaves **5**.

Locate rubber washers **K** over the rods.

Screw threaded spacers **L** onto the rods and tighten.



# Assembly Instructions

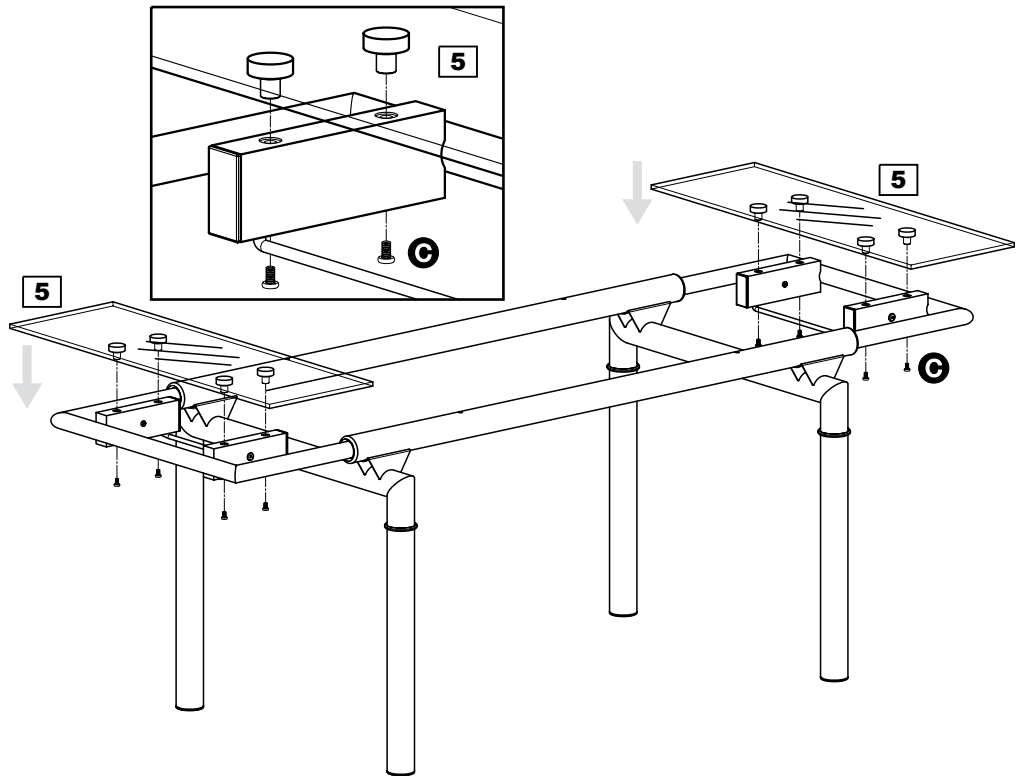
## Step 5

### Attaching extension leaves

With help, turn frame over into its standing position.

Carefully align glass extension leaves **5** with the brackets on the frame.

Secure from underneath using fixings **C**.



## Step 6

### Attaching main glass top

With help, carefully lower main glass top **4** down into position.



#### Warning:

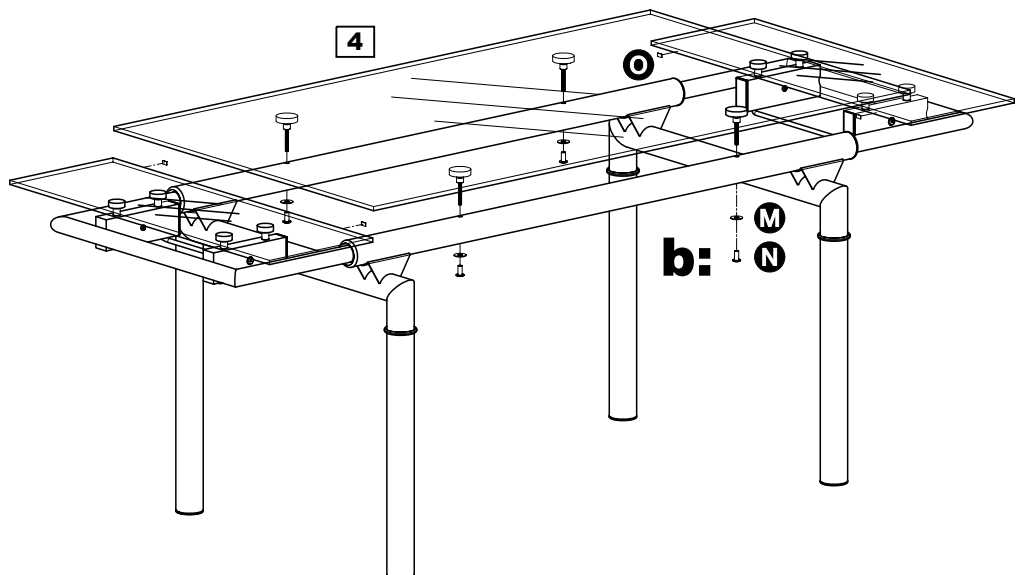
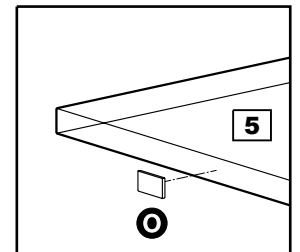
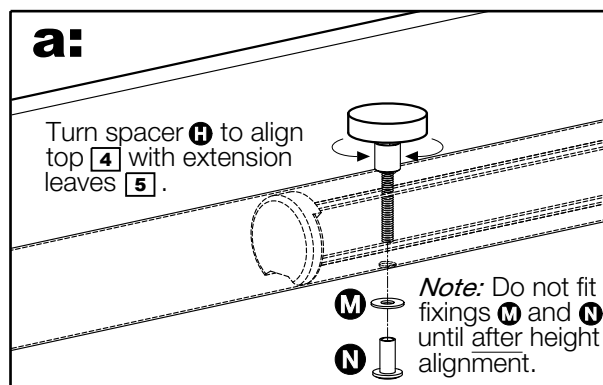
The glass top is heavy, lift with care.

Following the extension procedure described in step 7, raise the extension leaves into the extended position.

**a:** Threaded spacers **H** can be turned to adjust the height of the glass top and achieve alignment with the extension leaves.

**b:** Once alignment is achieved, secure main glass top using fixings **M** and **N**.

Small rubber pads **O** can be located onto the edge of the extension leaves to prevent direct glass to glass contact.



# Assembly Instructions

## Step 7

### Extending and closing

#### TO EXTEND

Pull extension leaf out from below the main glass top until it stops.

Push down on the handlebar to raise the extension leaf.

Once raised, push the extension leaf back in until it touches the main glass top.

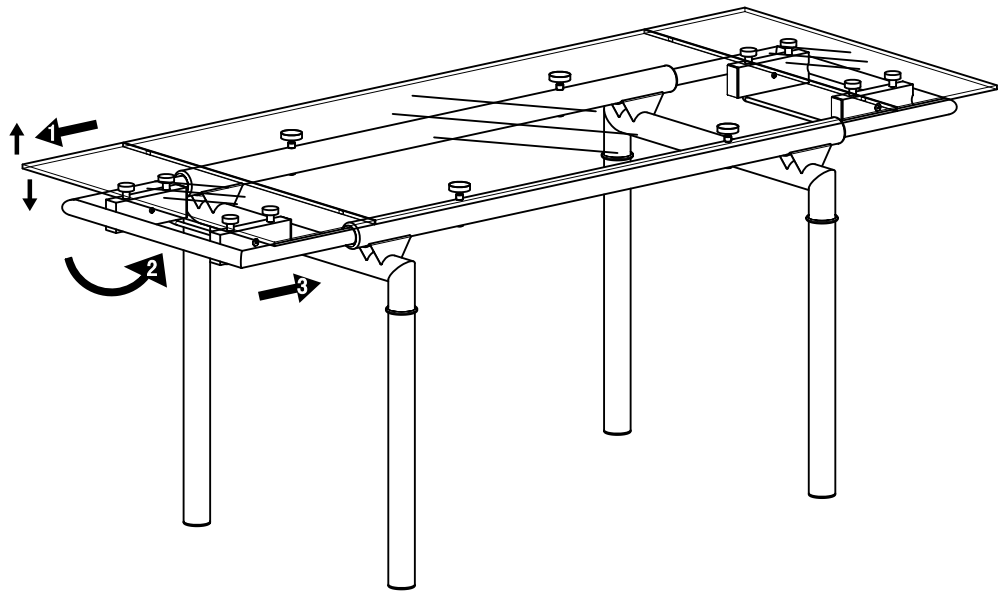
#### TO CLOSE

Repeat the above in reverse order, expect the handlebar should be raised to lower the extension leaf.



**Warning:**

Keep fingers clear of glass contact area when closing/extending the leaves!



**Assembly is complete.**

If you need help or have damaged or missing parts, call the **Customer Helpline: 01799 513466**  
Justwise Group Ltd., 6 The Shires. Shire Hill Industrial Estate. Saffron Walden. Essex. CB11 3AP