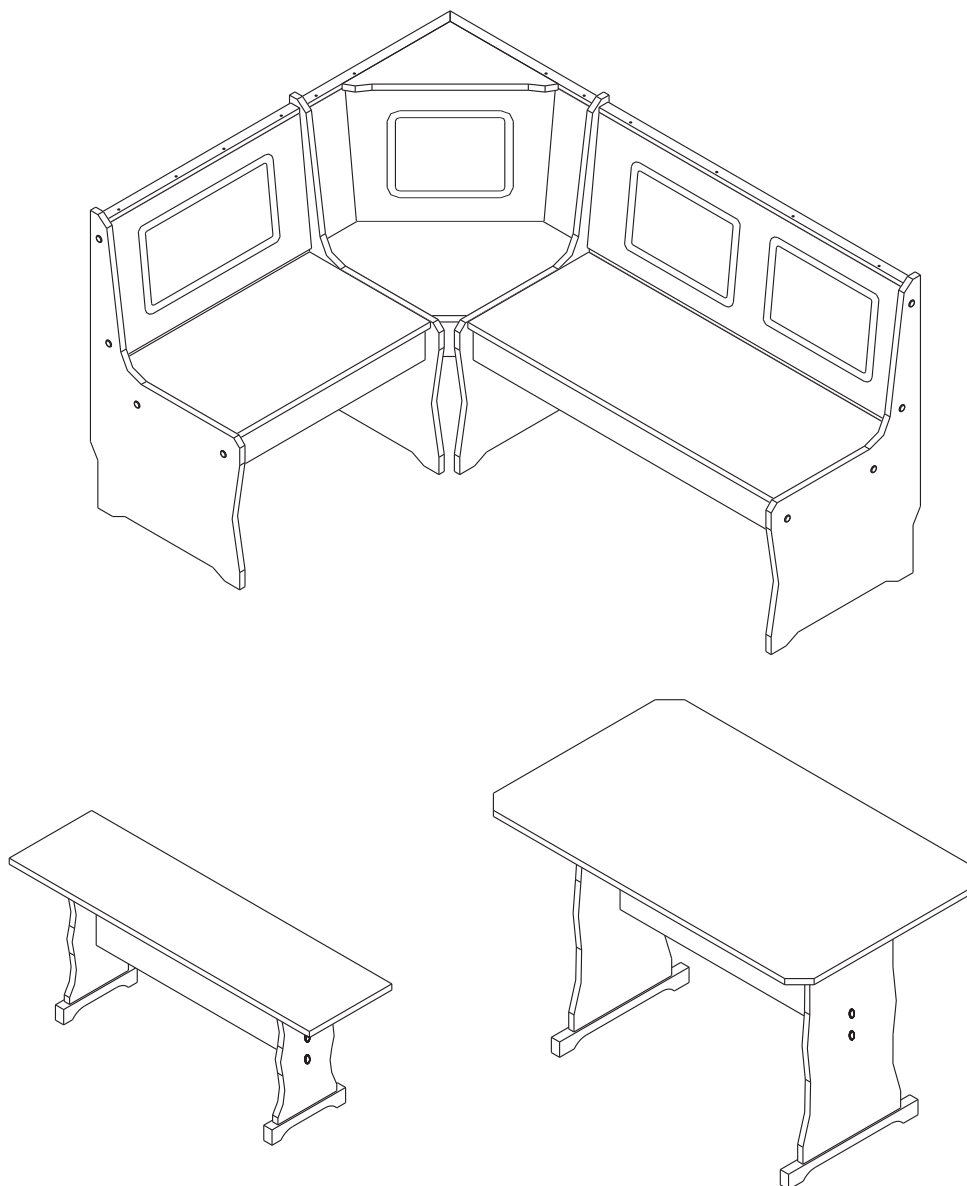


Puerto Rico - Nook 3 Corner Set

Assembly Instructions - Please keep for future reference

603/1028

603/0366



Dimensions of the corner nook

Width - 161.5cm
Width - 123.5cm
Height - 85cm

Dimensions of the table

Width - 109cm
Depth - 65cm
Height - 73.5cm

Dimensions of the bench

Width - 102cm
Depth - 28cm
Height - 43cm

Important – Please read these instructions fully before starting assembly

If you need help or have damaged or missing parts, call the **Customer Helpline: 08456 400 800**



Safety and Care Advice

Important – Please read these instructions fully before starting assembly

- Check you have all the components and tools listed on pages 2 and 3.
- Remove all fittings from the plastic bags and separate them into their groups.
- Keep children and animals away from the work area, small parts could choke if swallowed.
- Make sure you have enough space to layout the parts before starting.
- Do not stand or put weight on the product, this could cause damage.
- Assemble the item as close to its final position (in the same room) as possible.
- Assemble on a soft level surface to avoid damaging the unit or your floor.

- This product has been produced from natural timber; you may notice some variation in the grain and colour of different component parts which is normal for furniture produced using natural wood and is not the result of any manufacturing fault.
- The product has been treated with a wax and oil finish to prevent dirt ingress and preserve moisture.
- On unpacking the furniture you may notice an odour due to this treatment; this will disappear once the furniture is unpacked and assembled after a period of time.
- This process may leave some staining on the packaging material; please take care to ensure this does not transfer to clothing or carpeted surfaces during assembly.



• We do not recommend the use of power drill/drivers **for inserting screws**, as this could damage the unit. Only use hand screwdrivers.

- Parts of the assembly will be easier with 2 people.
- Dispose of all packaging carefully and responsibly.

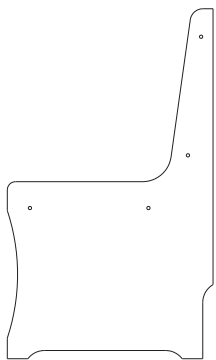
Care and maintenance

- Use an appropriate furniture polish for natural wood furniture and a dry cloth to clean the product.
- Avoid placing the furniture in direct sunlight as this will cause the timber to prematurely age.
- From time to time check that there are no loose screws on this unit.
- This product should not be discarded with household waste. Take to your local authority waste disposal centre.

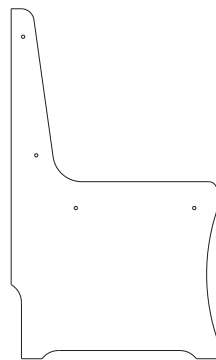
Note: If required the next page can be cut out and used as reference throughout the assembly. Keep this page with these instructions for future reference.

Components - Panels

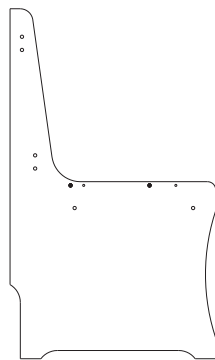
Please check you have all the panels listed below



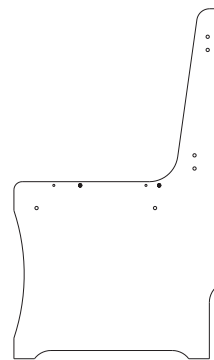
1 Right side panel
(85 x 50cm)



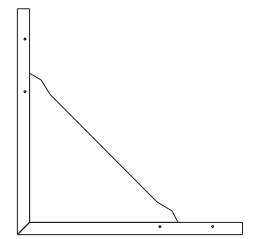
2 Left side panel
(85 x 50cm)



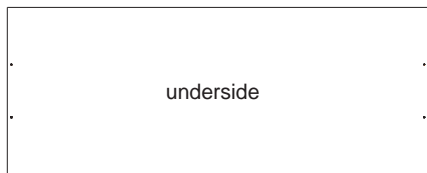
3 Middle right side panel
(85 x 50cm)



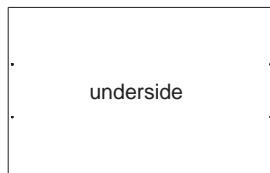
4 Middle left side panel
(85 x 50cm)



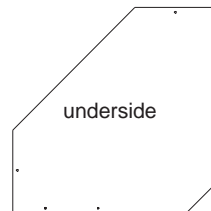
5 Top corner
(54.8 x 54.8cm)



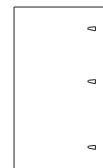
6 Large seat panel
(102.5 x 40.5cm)



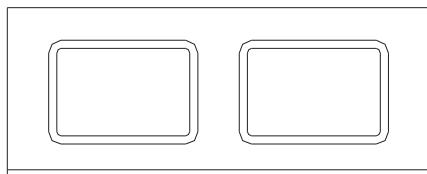
7 Small seat panel
(64.9 x 40.5cm)



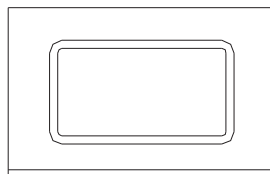
8 Corner seat panel
(49.8 x 49.8cm)



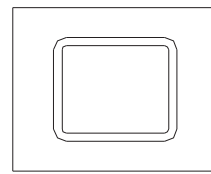
12 Small corner back panel
(22 x 39.6cm)



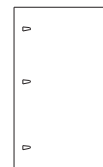
9 Large back panel
(102.6 x 41.2cm)



10 Small back panel
(65 x 41.2cm)



11 Corner back panel
(49.8 x 39.6cm)



13 Small corner back panel
(22 x 39.6cm)



14 Large cross rail
x 2 (102.6 x 9.2cm)



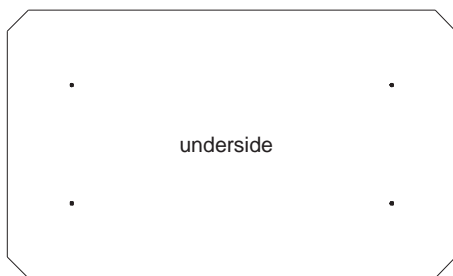
15 Small cross rail
x 2 (65 x 9.2cm)



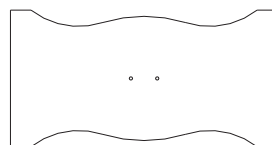
16 Large top rail (102.6 x 3cm)



17 Small top rail
(65 x 3cm)



20 Table top (109 x 65cm)



21 Table leg x 2
(65 x 33.2cm)



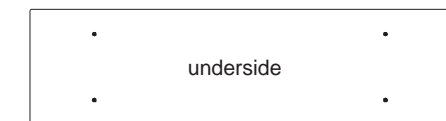
22 Centre rail (83 x 9.2cm)



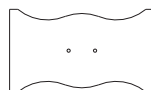
23 Top rail x 2 (44 x 4.5cm)



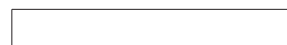
28 Top rail x 2
(25 x 4.5cm)



25 Seat panel (102 x 28cm)



26 Bench leg x 2
(35 x 20cm)



27 Centre rail
(76 x 9.2cm)



29 Base rail x 2
(25 x 4.5cm)


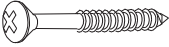
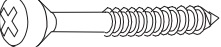
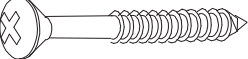
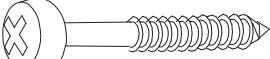
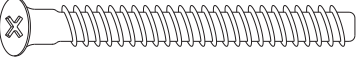
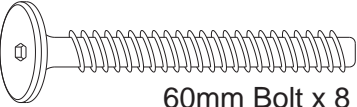




Components - Fittings

If you have damaged or missing components, call the **Customer Helpline: 08456 400 800**

Please check you have all the fittings listed below

Note: The quantities below are the correct amount to complete the assembly. In some cases more fittings may be supplied than are required.

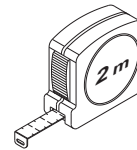
A  Wooden dowel x 48	B  30mm Screw x 12	C  35mm Screw x 73
D  50mm Screw x 4	E  50mm Screw x 8	F  60mm Bolt x 16
G  60mm Bolt x 8	H  Allen key x 1	J  Metal stud x 8 (2 spare supplied)

Allen key x 1

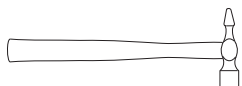
Tools required



Phillips screwdriver
(medium & large)



Ruler/tape
measure



Small
hammer



Eye protection
(when using a
hammer or glue)

Ruler - Use this ruler to help correctly identify the screws



Assembly Instructions

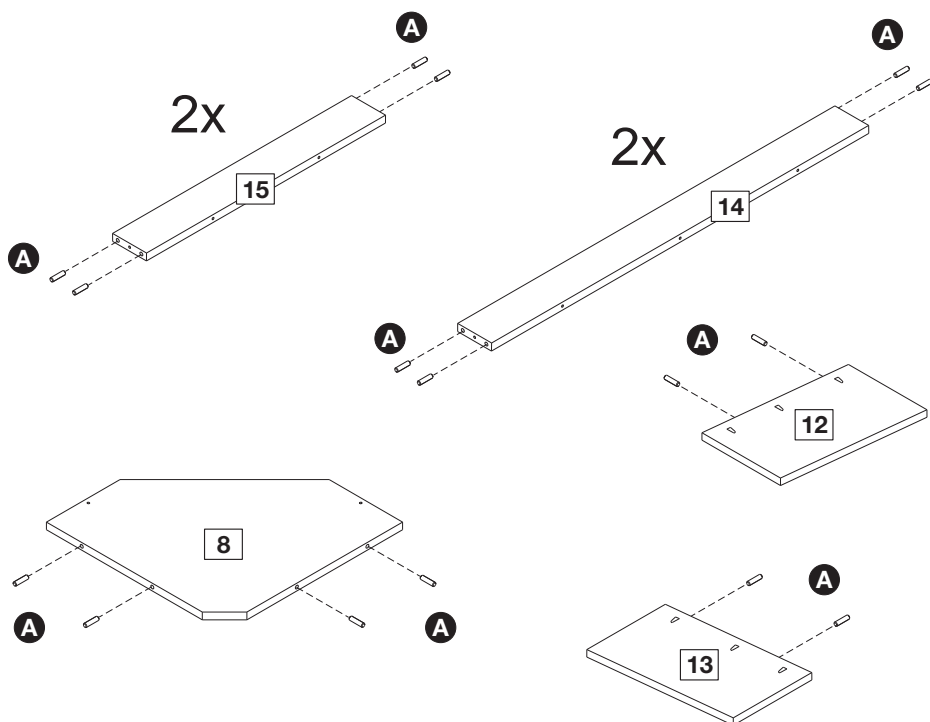
Step 1

Inserting dowels.

Insert dowels **A** into the indicated parts.



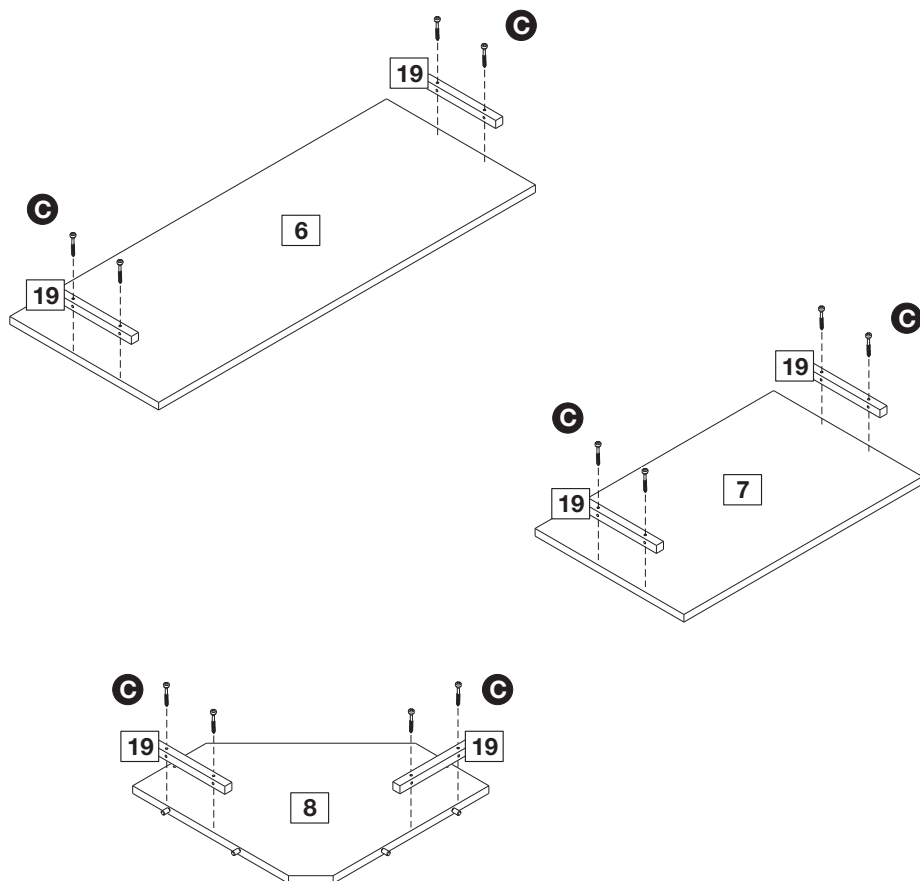
Note:
Dowels on parts **12** and **13** are a bit loose, this is not a manufacture failure.



Step 2

Fixing blocks.

Fix blocks **19** to the pre drilled holes in the seat panels **6**, **7** and **8** using screws **C**.



Assembly Instructions

Step 3

Fixing panels.



Attention:

The product can be assembled left or right. Assembly Instructions show option right! For **left option** swap back panels **9** and **10** as well as rails **14** and **15**.

a: Attach sides **1** and **3** to the back panel **9** and cross rails **14** using bolts **F**.



Note:

Holes must point up and be inside the cross rails **14**.

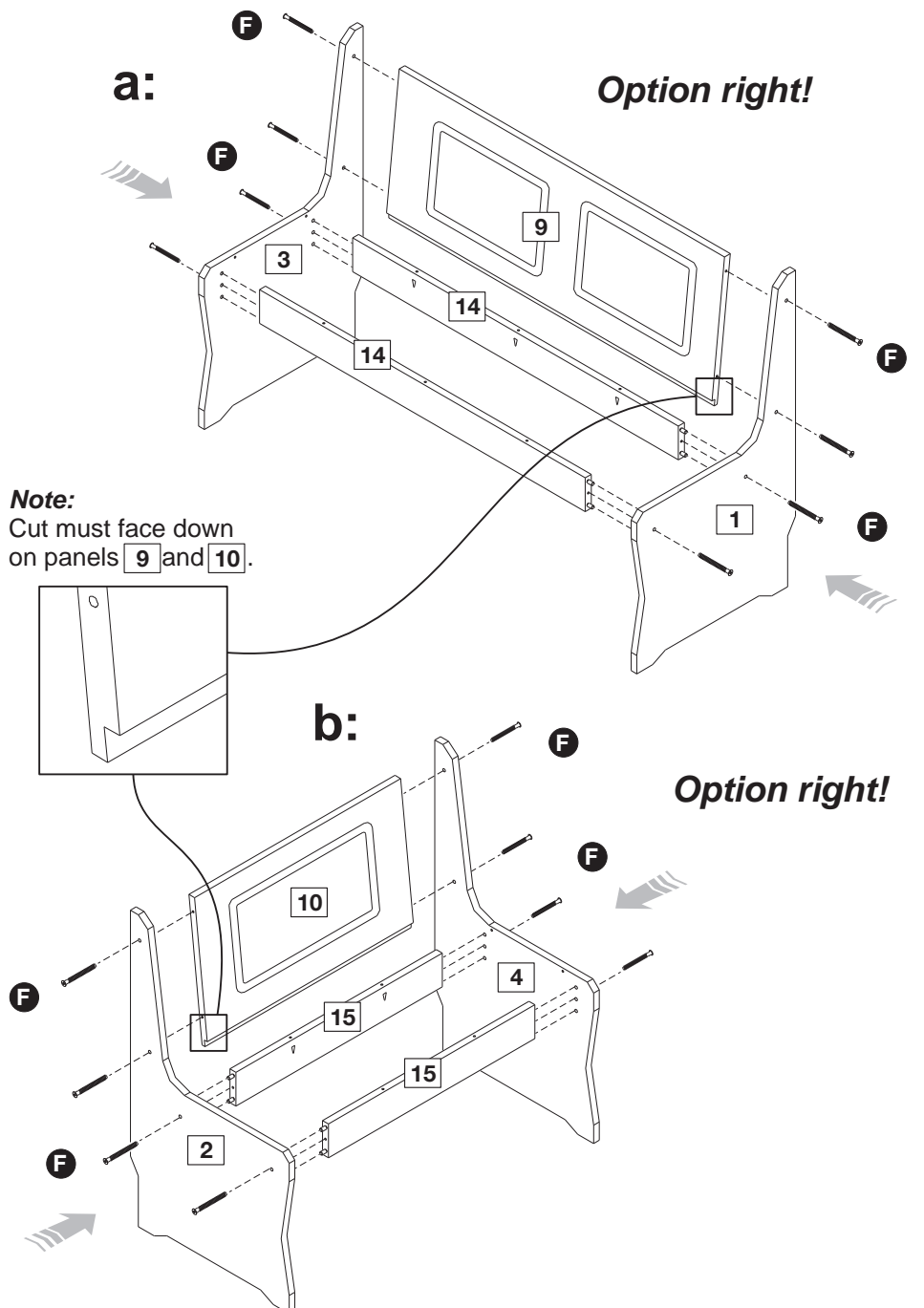
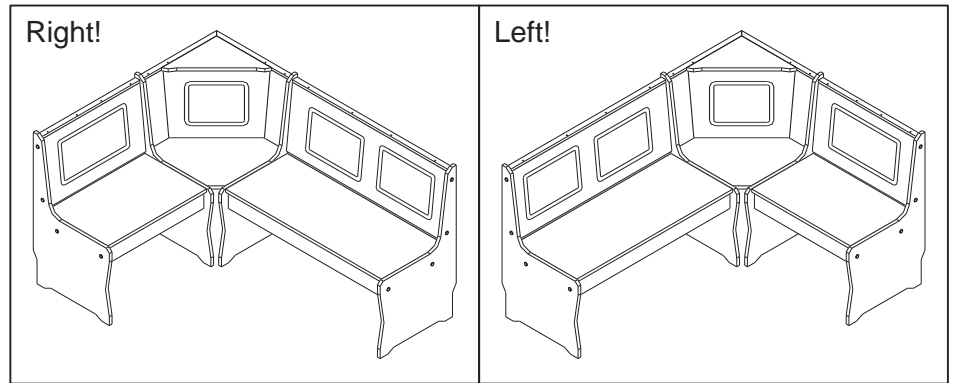
b: Attach sides **2** and **4** to the back panel **10** and cross rails **15** using bolts **F**.



Note:

Holes must point up and be inside the cross rails **15**.

Attention!

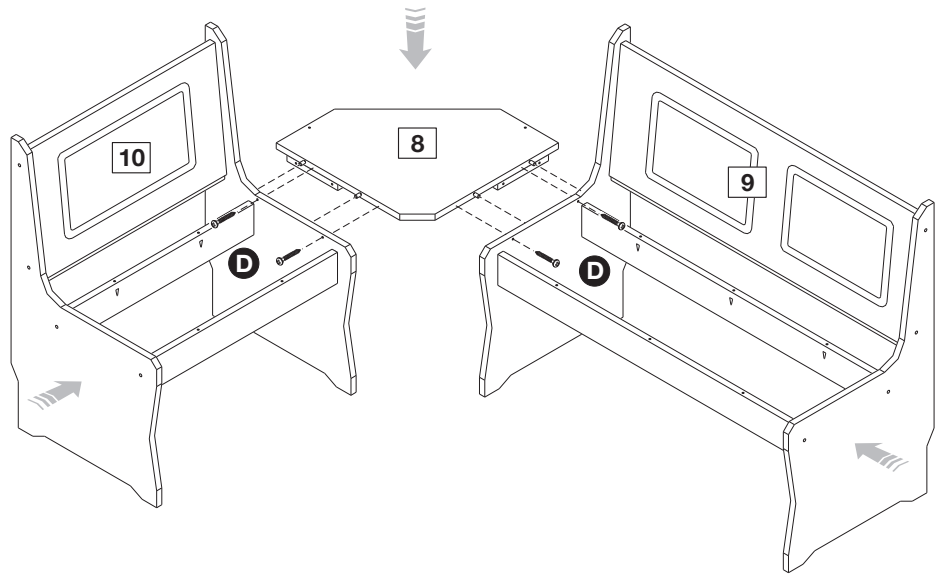


Assembly Instructions

Step 4

Fixing corner seat.

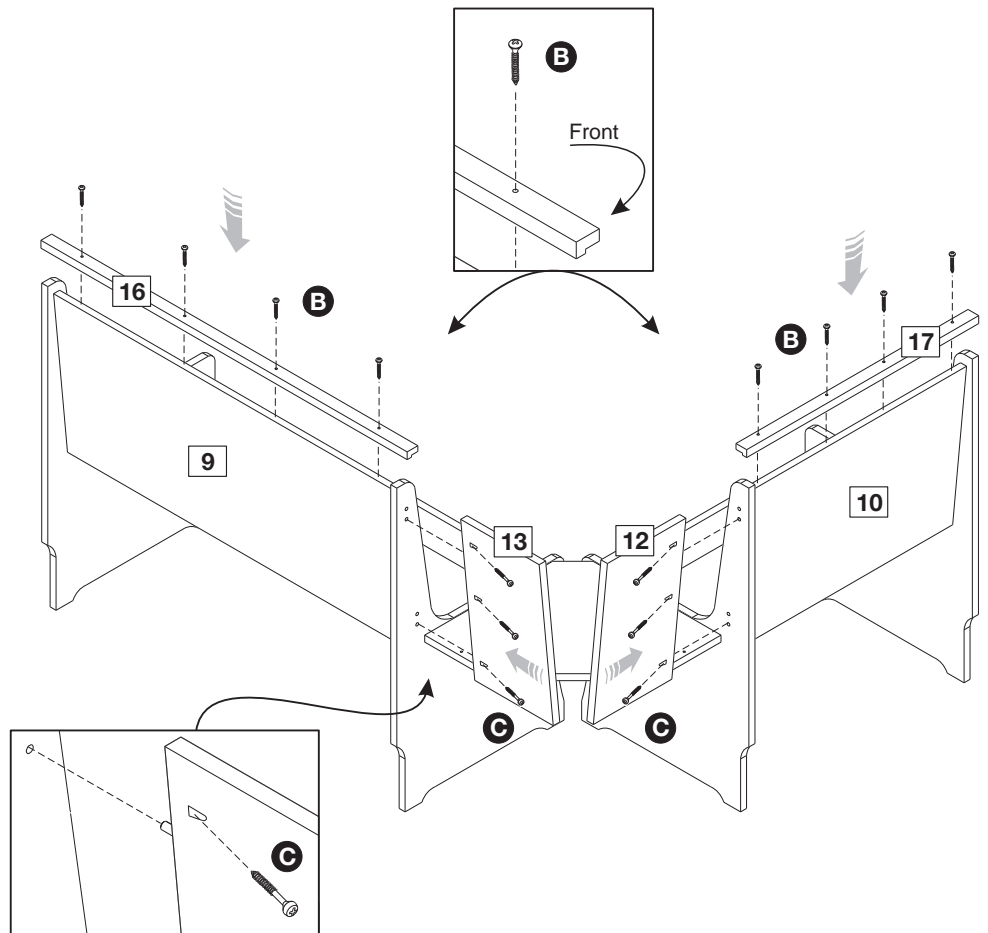
Fit corner seat **8** to the benches then fix using screws **D**.



Step 5

Fit top rails **16** and **17** to the back panels **9** and **10** then fix using screws **B**.

Fit small corner back panels **12** and **13** to the benches then fix using screws **C**.

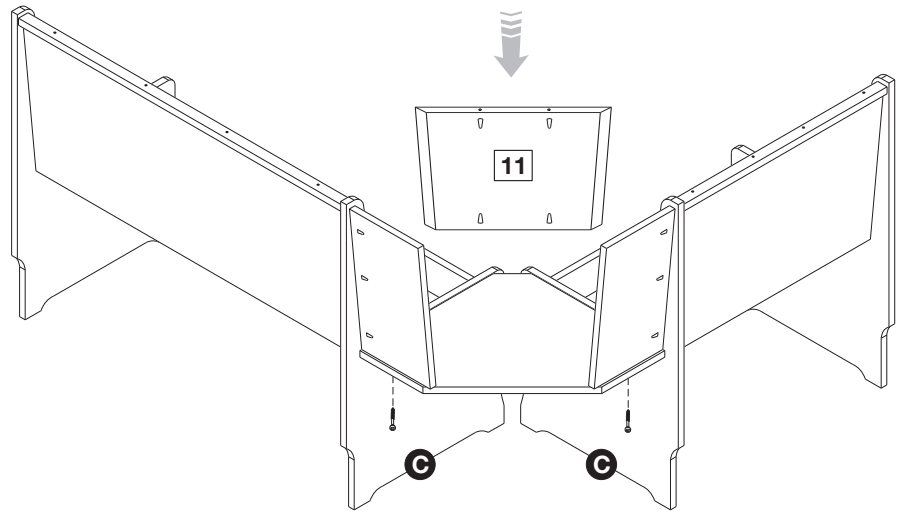


Assembly Instructions

Step 6

Attach screws **C** to the small corner back panels from underneath the seat panel as shown.

Place corner back panel **11** in place.

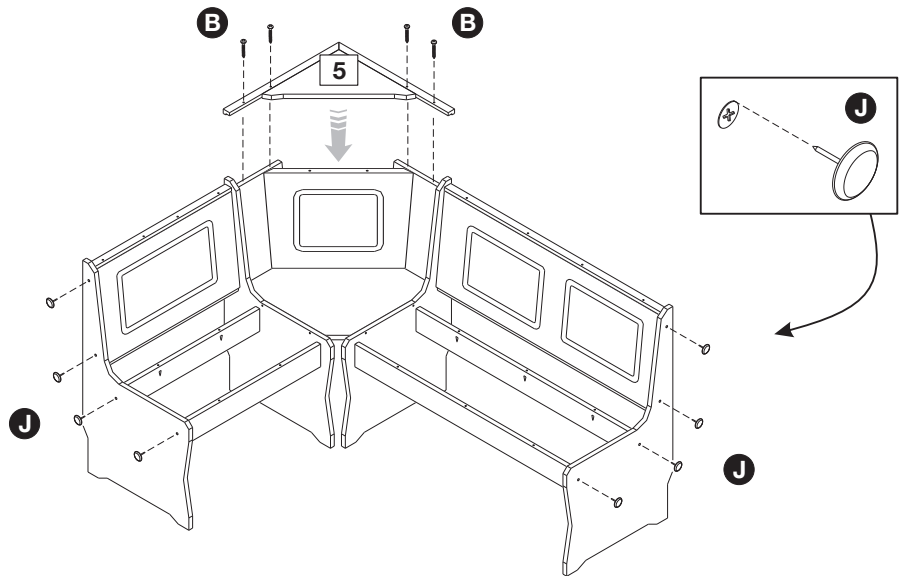


Step 7

Fit top corner **5** to the back corner panels then fix using screws **B**.

Fix metal studs **J** to the side panels as shown.

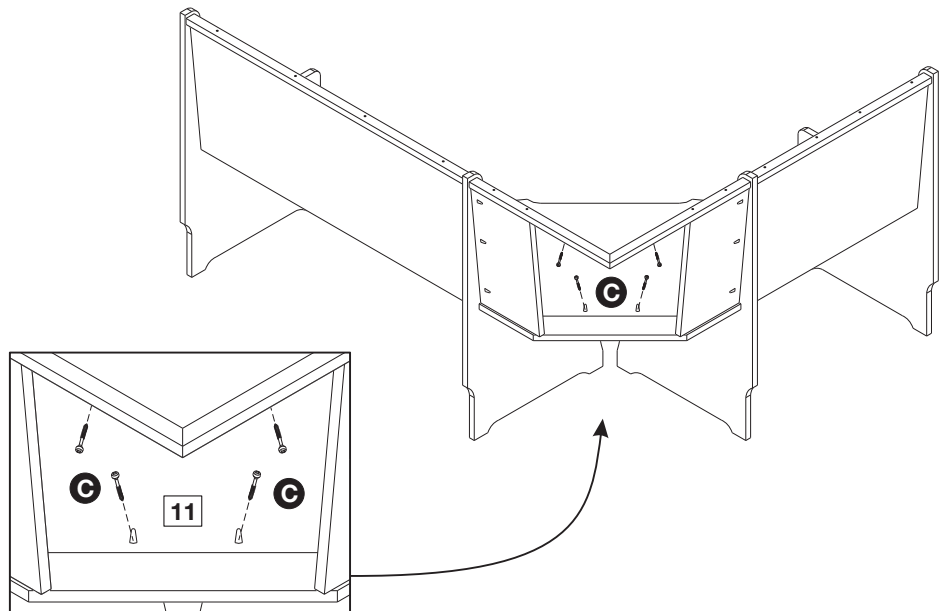
Important: Make sure **J** is fixed right next to the bolt as shown.



Step 8

Fix corner back panel using screws **C**.

Note: Fix top screws first.



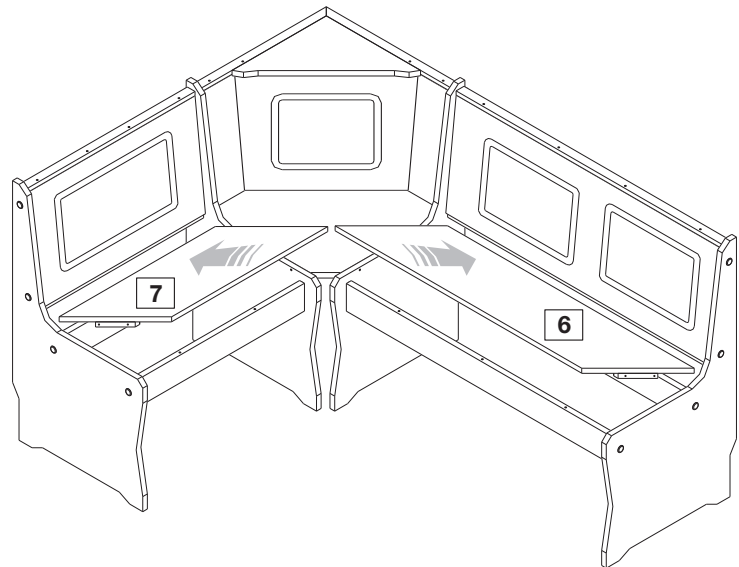
Assembly Instructions

Step 9

Place seat panels **6** and **7** into place as shown.



Note:
Wooden blocks must face down.

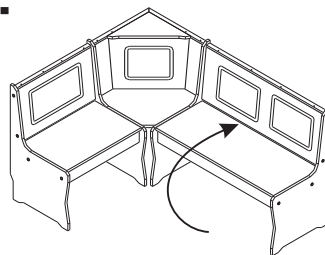


Step 10

a: **Caution:**
Carefully turn the product upright as shown.

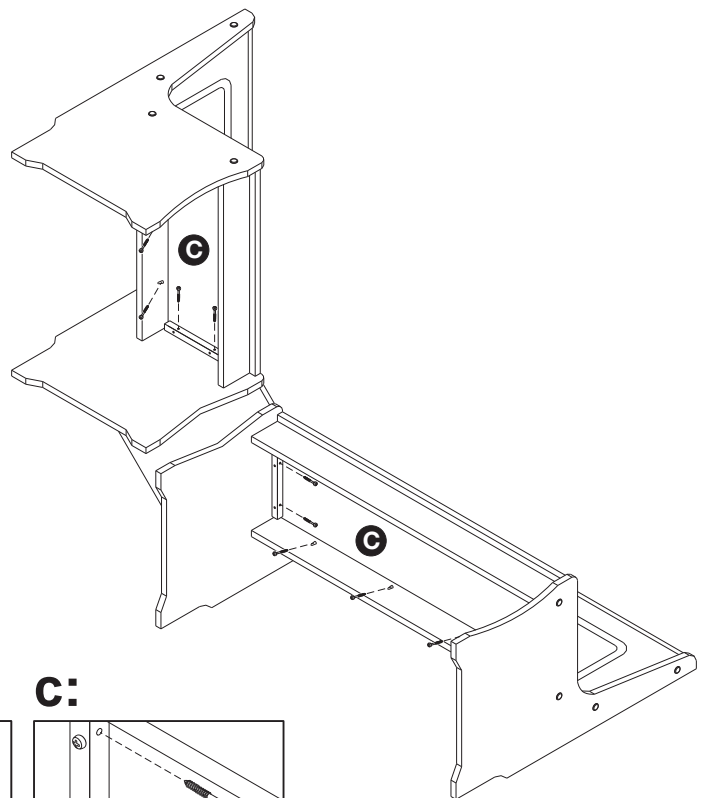


a:

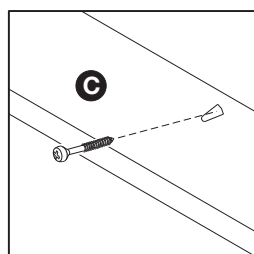


b: Fix seat panels using screws **C**.

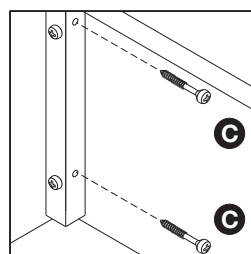
c: Fix blocks in the sides using screws **C**.



b:



c:

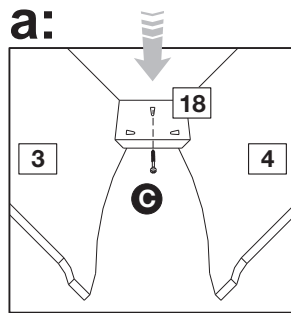


Assembly Instructions

Step 11

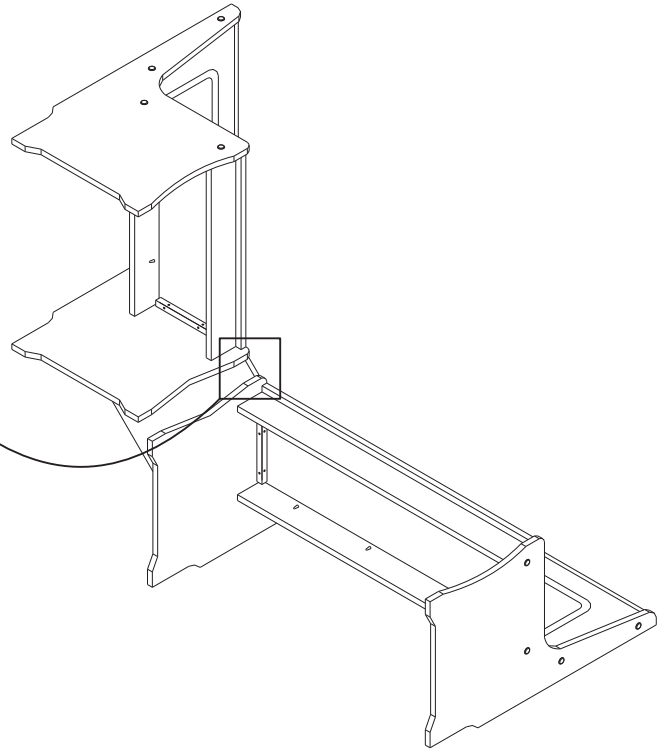
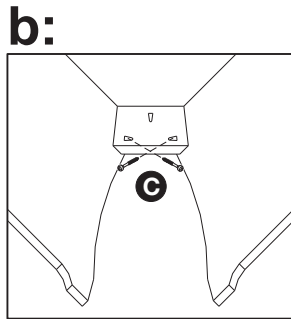
a: Attach corner rail **18** to the corner seat using screws **G**.

Hold rail **18** in place and fix it to the seat panel first.



View from behind

b: Fix rail **18** to the sides using screws **G**.

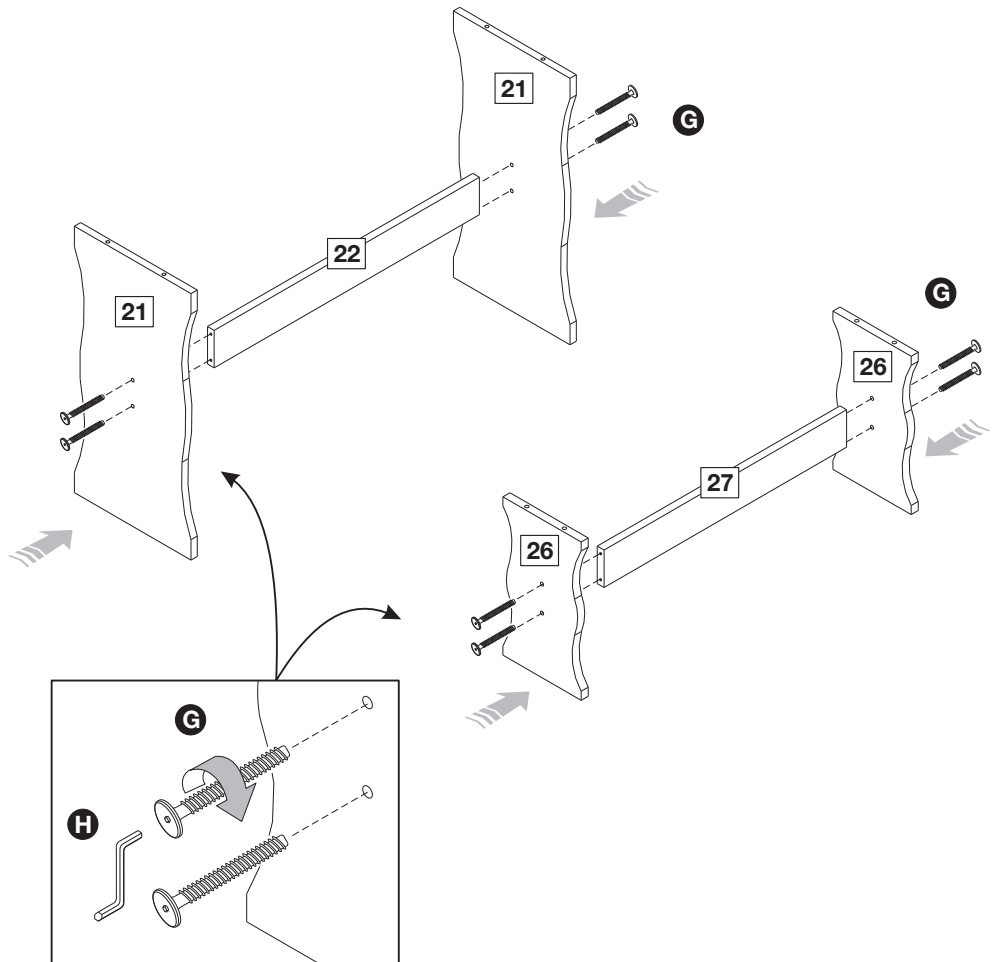


Step 12

Assembling the table and bench.

With help, assemble centre rail **22** to table legs **21** using bolts **G** with the allen key **H** as shown.

With help, assemble centre rail **27** to bench legs **26** using bolts **G** with the allen key **H** as shown.

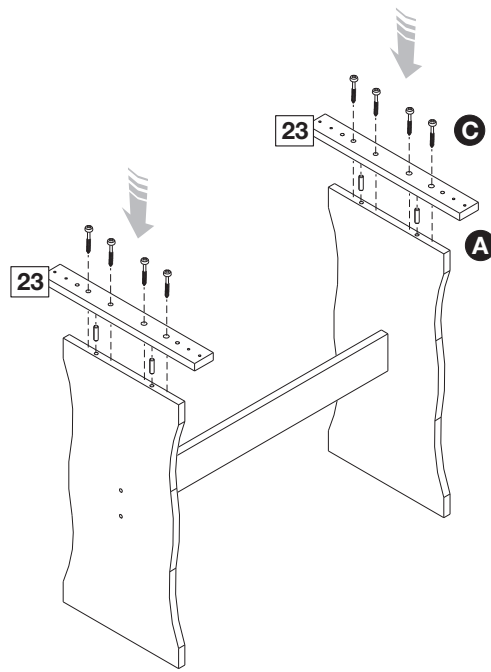


Assembly Instructions

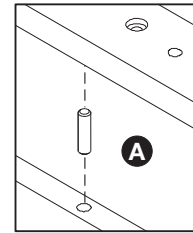
Step 13

a: Fit top rails **23** and **28** using dowels **A**.

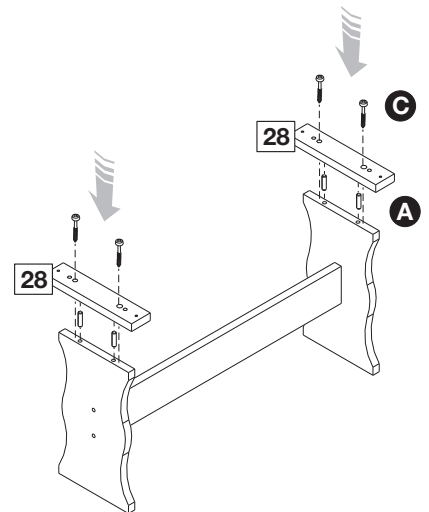
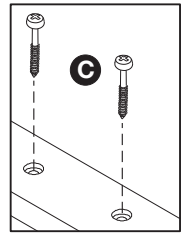
b: Attach top rails **23** and **28** using screws **C**.



a:



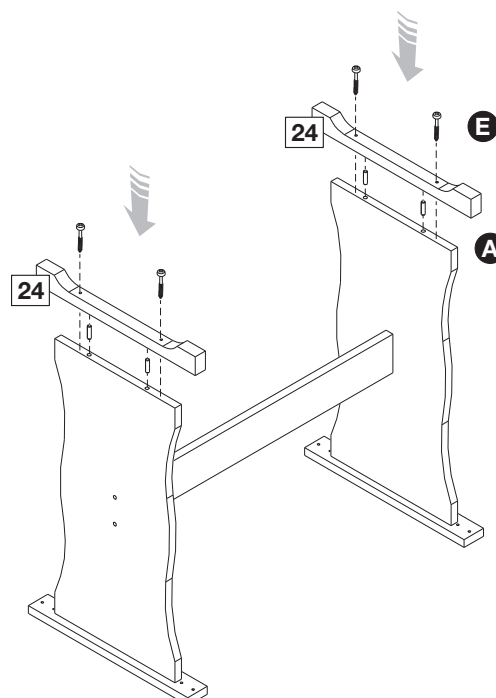
b:



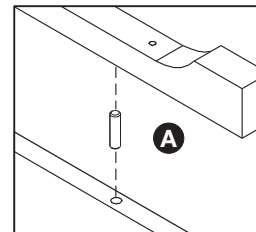
Step 14

a: Fit base rails **24** and **29** using dowels **A**.

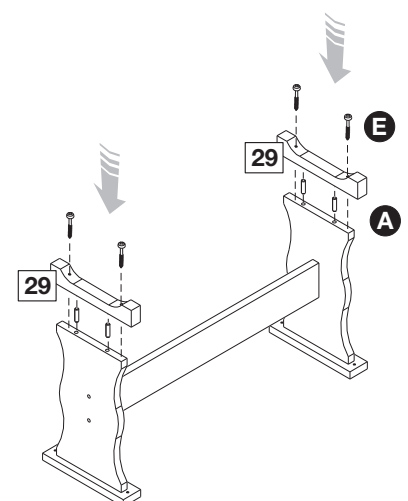
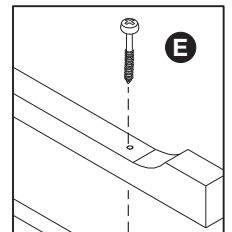
b: Attach base rails **24** and **29** using screws **E**.



a:



b:



Assembly Instructions

Step 15

Fixing table top and seat panel.



Caution:

Carefully lay the panels **20** and **25** with holes facing up in a soft and clean surface to avoid damaging the product.



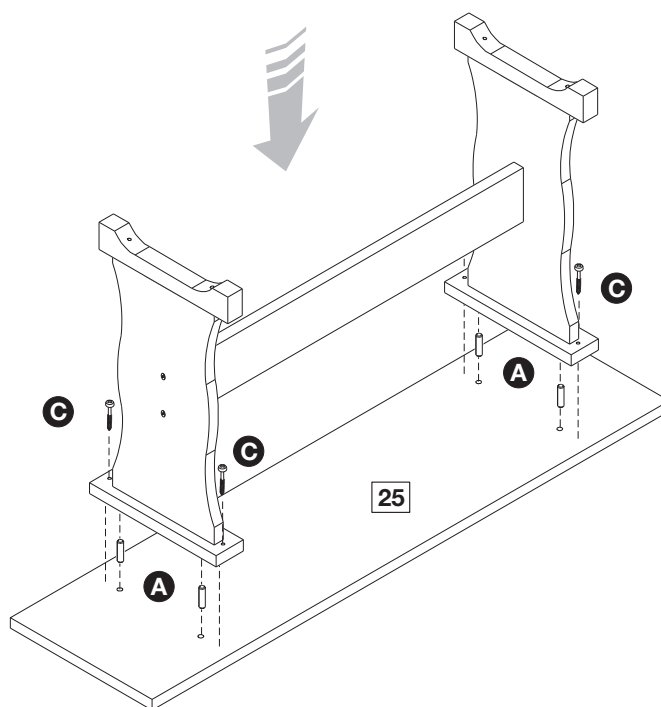
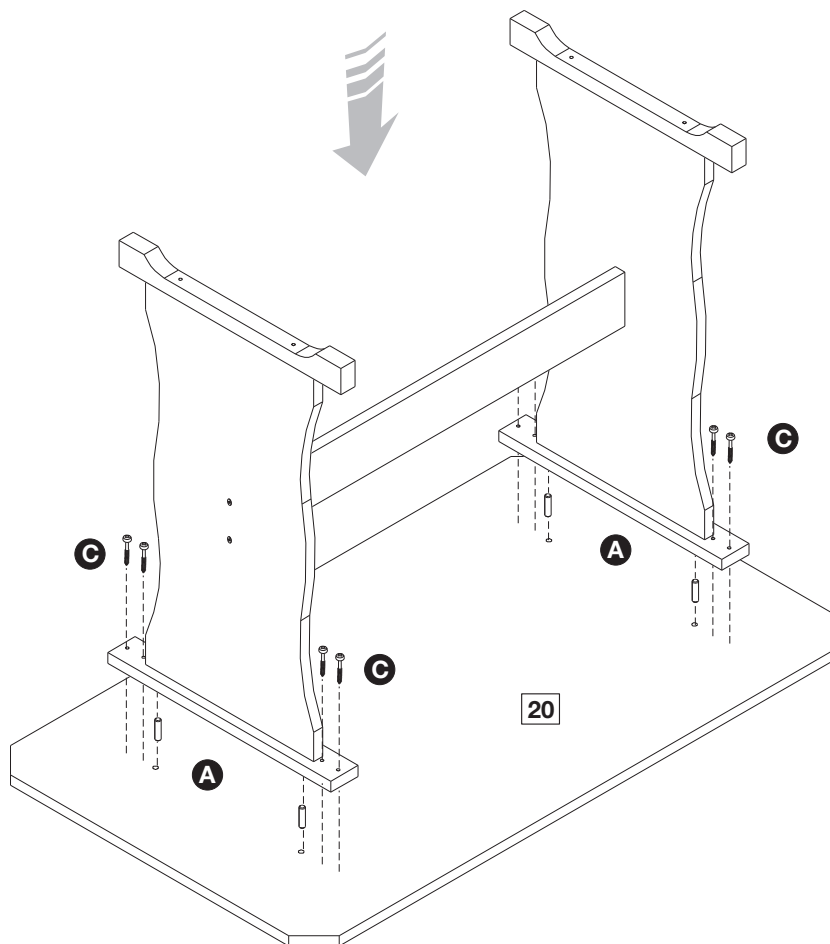
Important:

Make sure the correct screws **C** are used in this step to avoid damaging the product.

Fit table top **20** on the construction of the table using dowels **A**.

Fit seat panel **25** on the construction of the bench using dowels **A**.

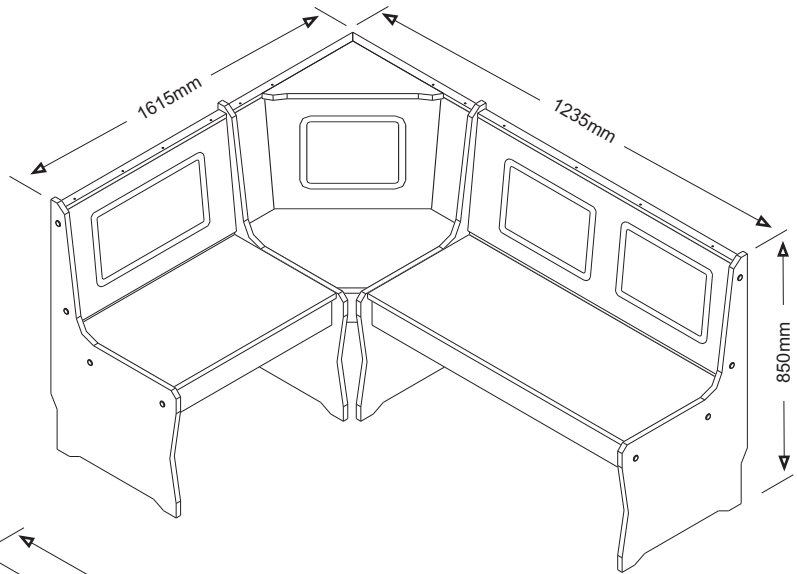
Attach table top and seat panel using screws **C**.



Assembly is complete.

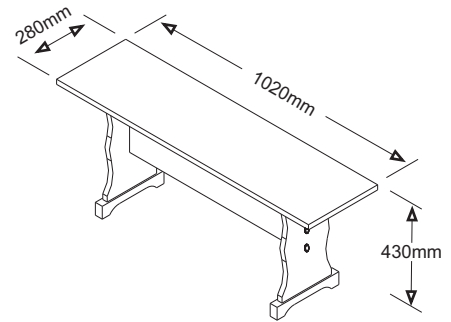
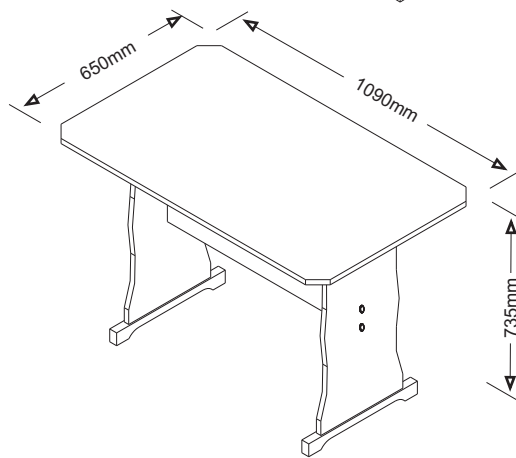
If you need help or have damaged or missing parts, call the **Customer Helpline: 08456 400 800**

NOOK 3 CORNER SET



Before you start here is some helpful advise

Assembly time:
3 Hours



Please spend a short time reading through this leaflet and follow the step-by-step assembly instructions provided.

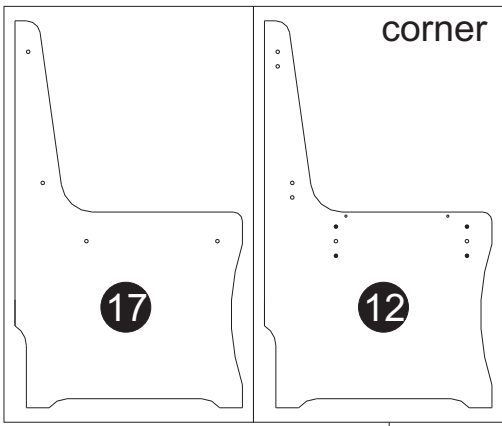
Customer Advisory Information

- This product has been produced from natural timber; you may notice some variation in the grain and colour of different component parts which is normal for furniture produced using natural wood and is not the result of any manufacturing fault.
- The product has been treated with a wax and oil finish to prevent dirt ingress and preserve moisture. On unpacking the furniture you may notice an odour due to this treatment; this will disappear once the furniture is unpacked and assembled after a period of time.
- This process may leave some staining on the packaging material; please take care to ensure this does not transfer to clothing or carpeted surfaces during assembly
- Avoid placing the furniture in direct sunlight as this will cause the timber to prematurely age
- Use an appropriate furniture polish for natural wood furniture and a dry cloth to clean the product

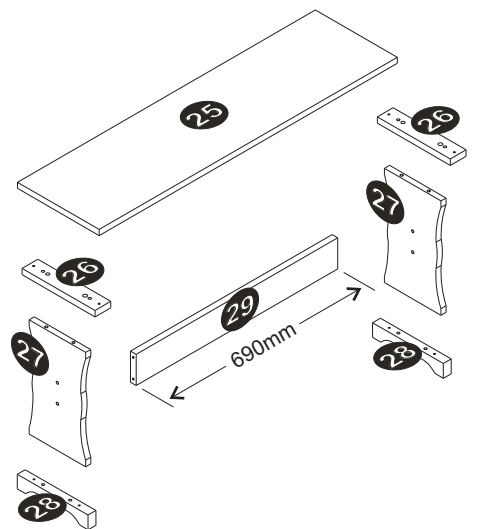
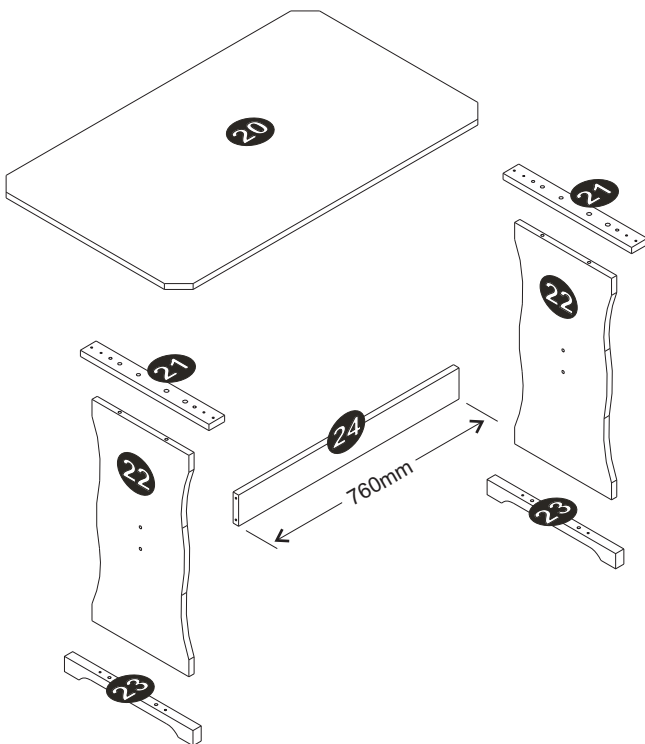
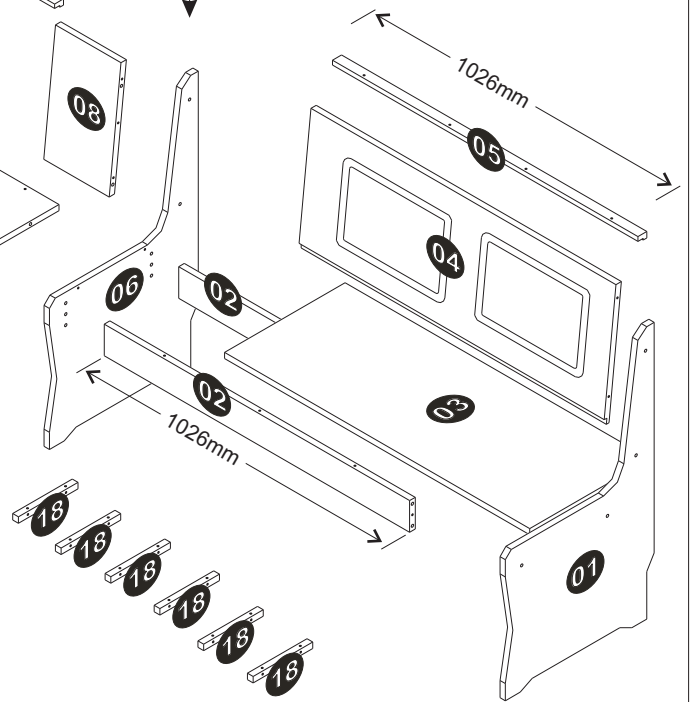
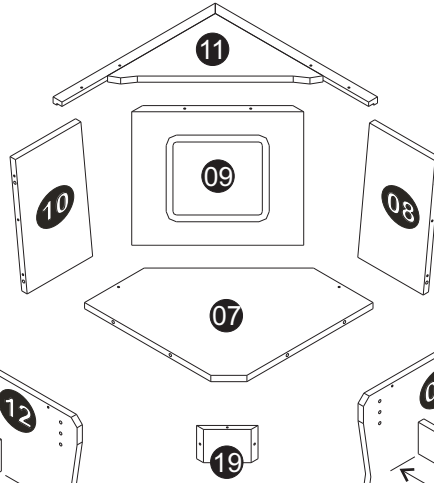
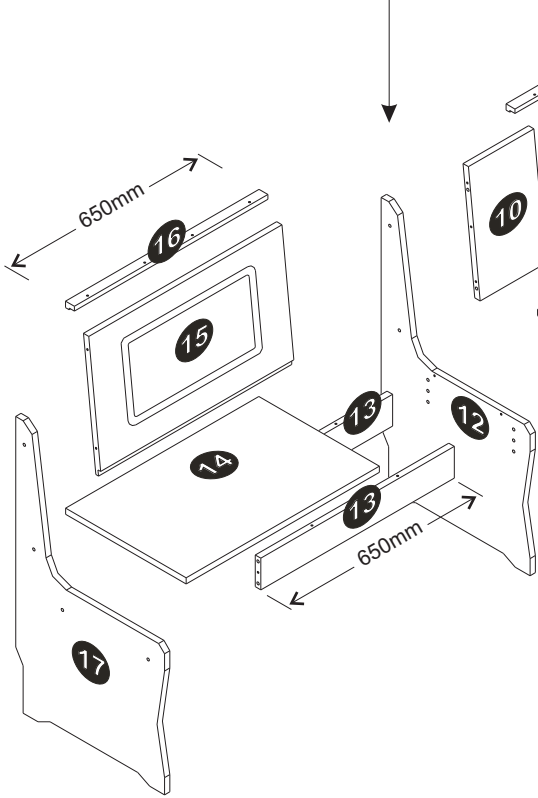
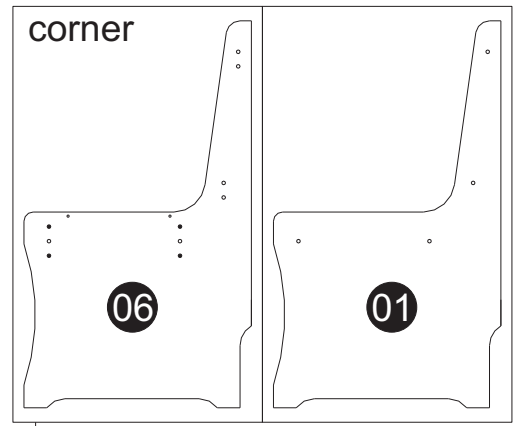
Assembly Advice

Before commencing assembly, we recommend that you familiarise yourself with the component parts and the instructions. We suggest that you lay out the components and check these against the parts list supplied.


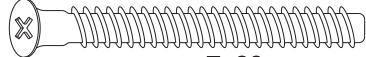



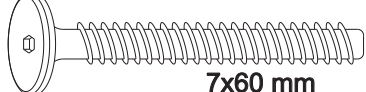

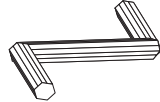

- Please retain packaging materials until assembly is complete; then dispose of packaging materials carefully
- We recommend that you assemble the product on a soft/carpeted surface to prevent any damage to panels during assembly
- Ensure that all fixings are tight and check these periodically for tightness
- **Note: small parts pose a potential safety hazard; ensure that these are securely attached and kept out of reach of children**



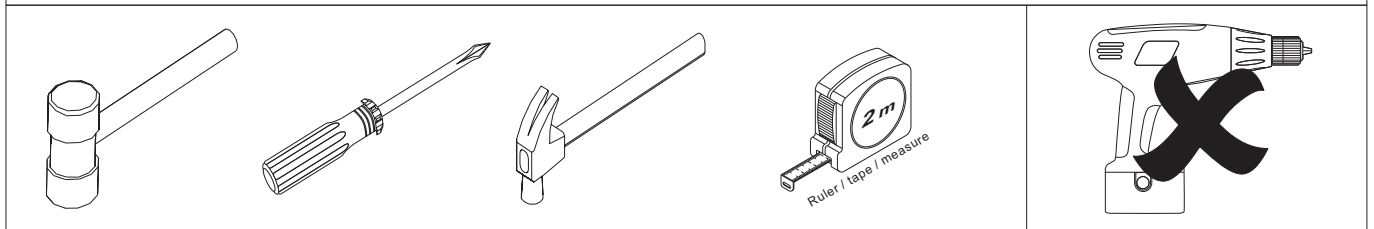
ATTENTION: number of each chair side will be printed on the product. Please use this to help identify the part.



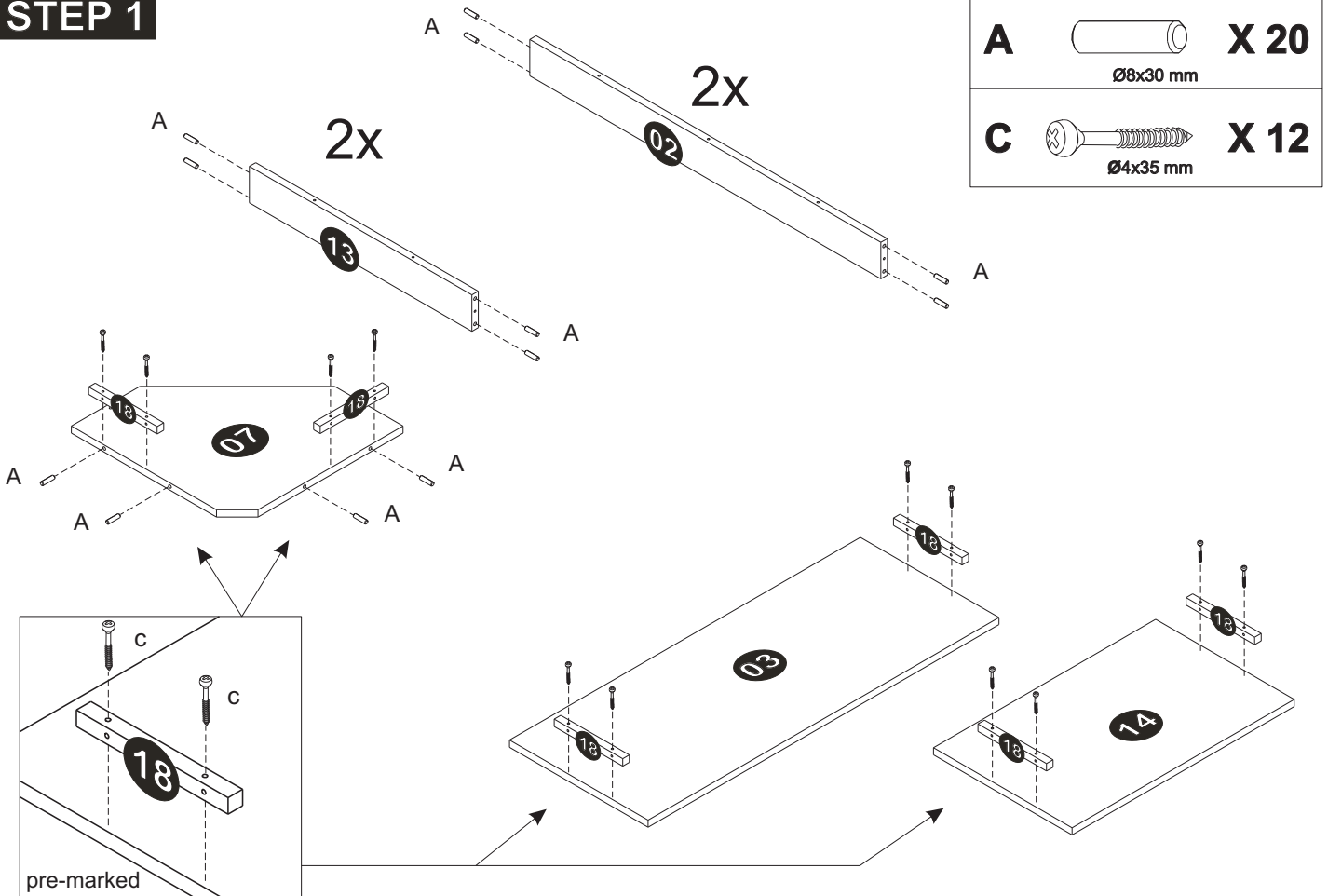
COMPONENT PARTS

A	 Ø8x30 mm	X 48	F	 7x60 mm	X 16
B	 Ø3,5x30mm	X 12	G	 2 spare studs supplied.	X 10
C	 Ø4x35 mm	X 73	H	 7x60 mm	X 8
D	 Ø4,5x50 mm	X 8	J		X 1
E	 Ø4,0x50 mm	X 4			


TOOLS NEEDED



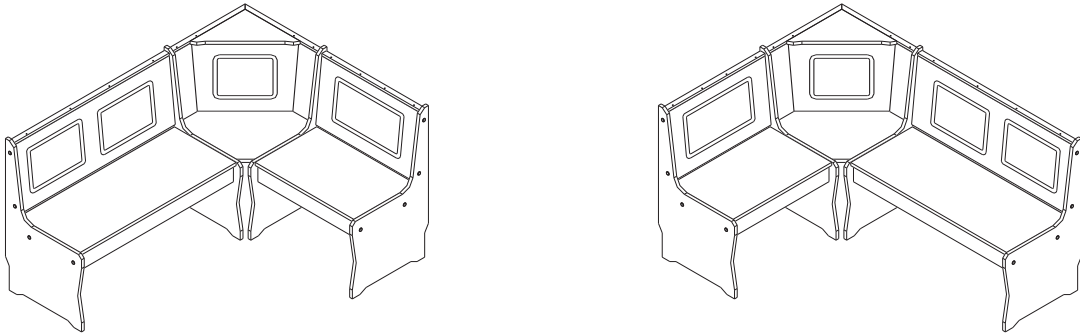
STEP 1



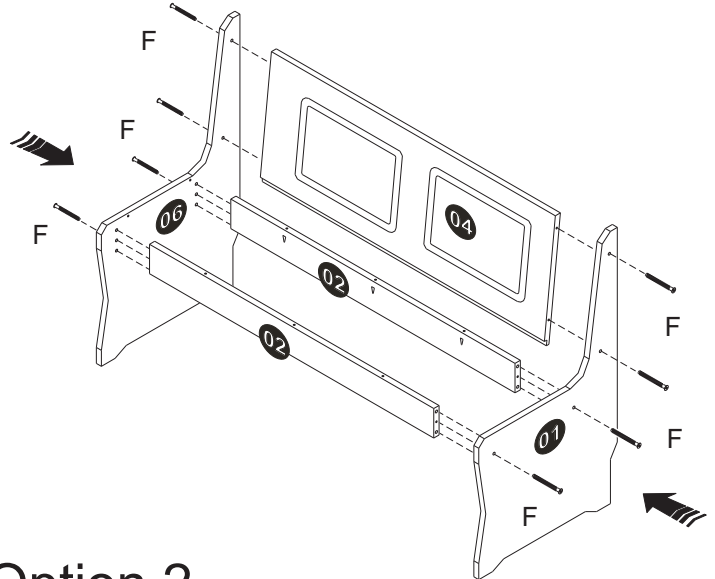
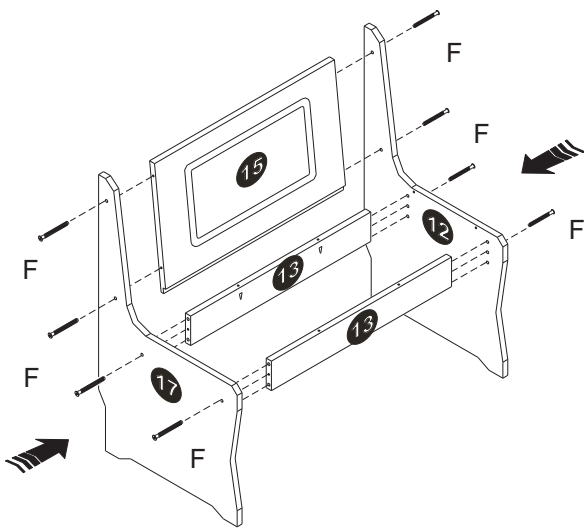
STEP 2

F  **X 16**
7x60 mm

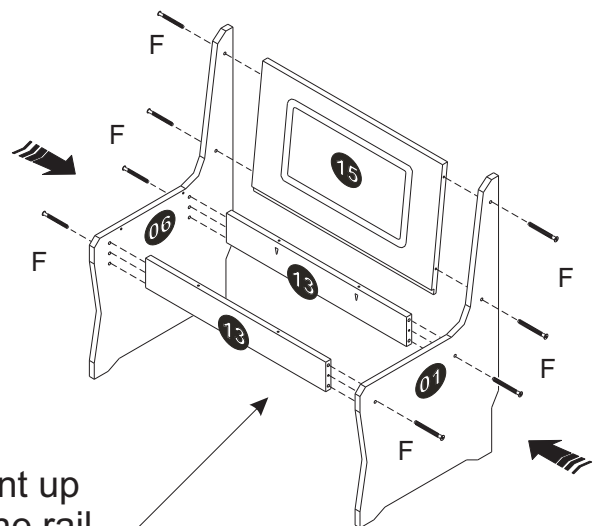
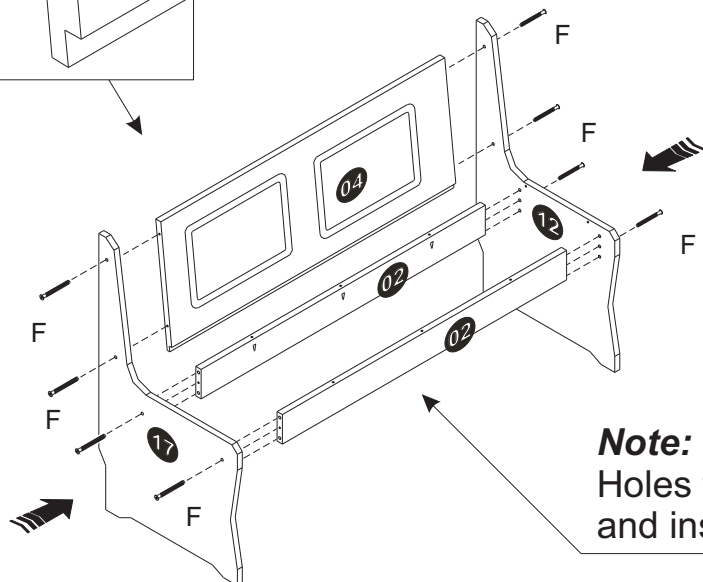
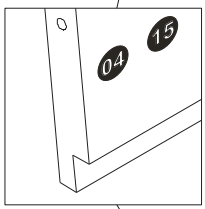
ATTENTION! The product can be assembled left or right.



Option 1
left



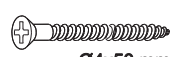
Option 2
right

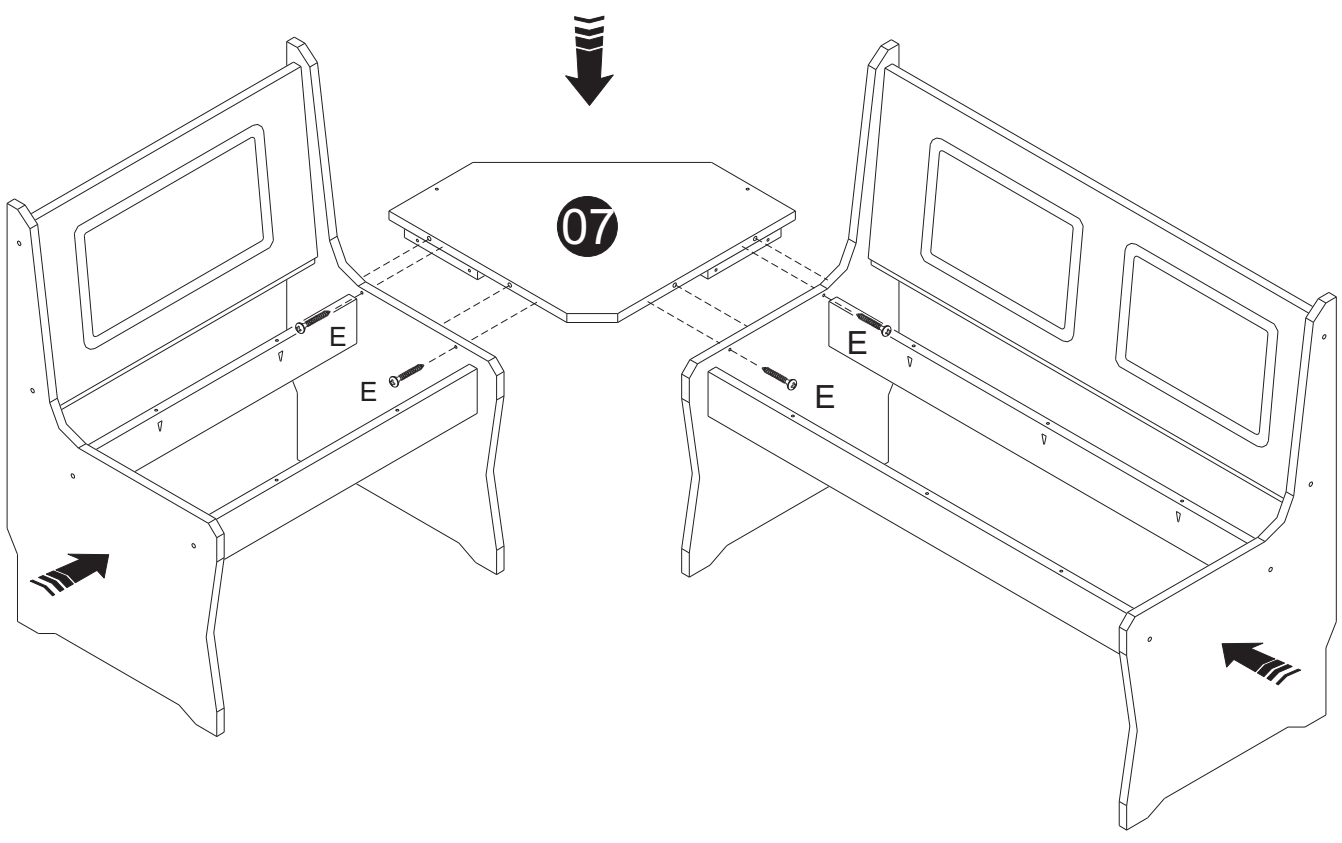


Note:
Holes to point up
and inside the rail.





STEP 3


E  **X 4**
Ø4x50 mm

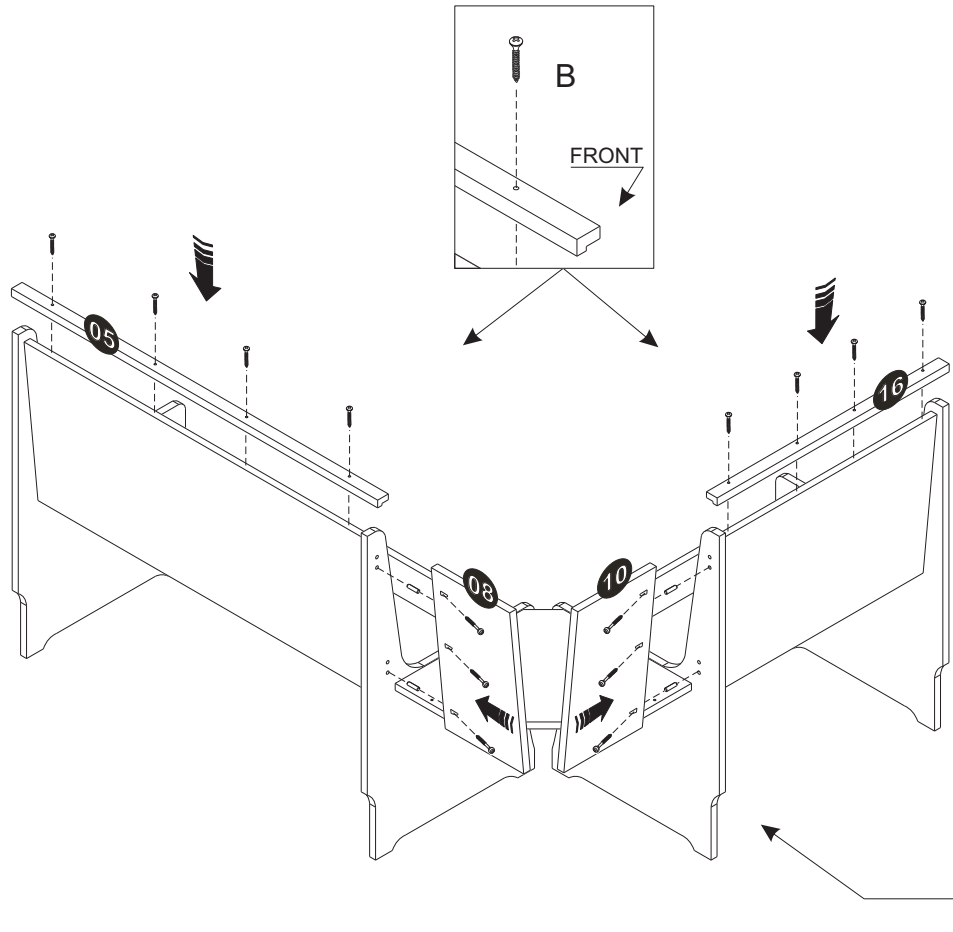


STEP 4

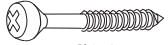
A  **X 4**
Ø8x30 mm

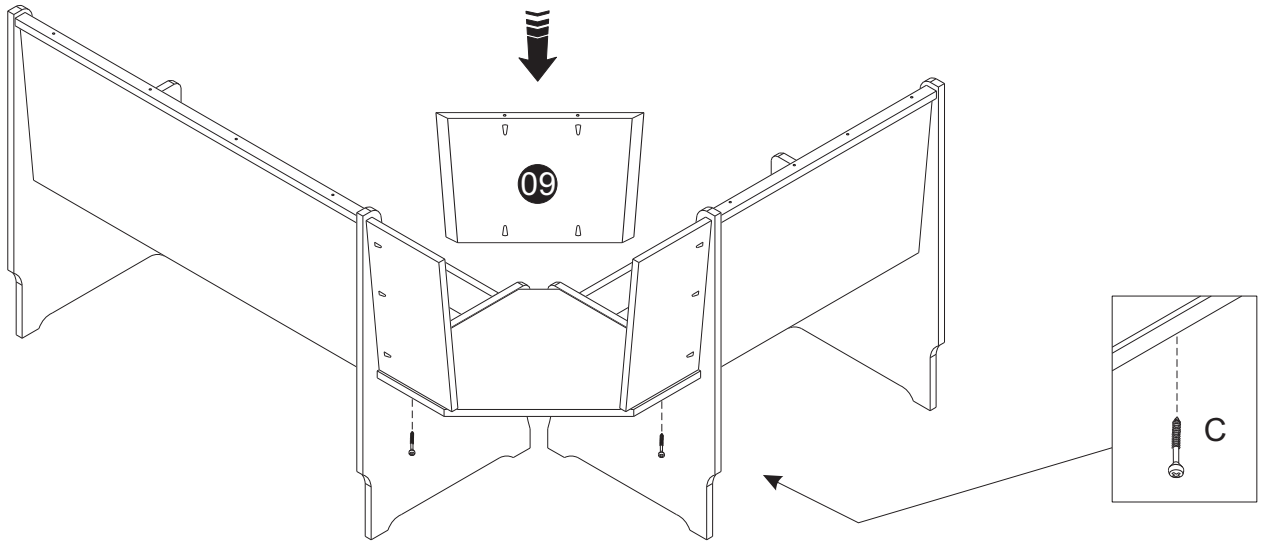
B  **X 8**
Ø3,5x30mm

C  **X 6**
Ø4x35 mm



STEP 5

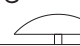

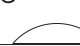
C  **X 2**
Ø4x35 mm



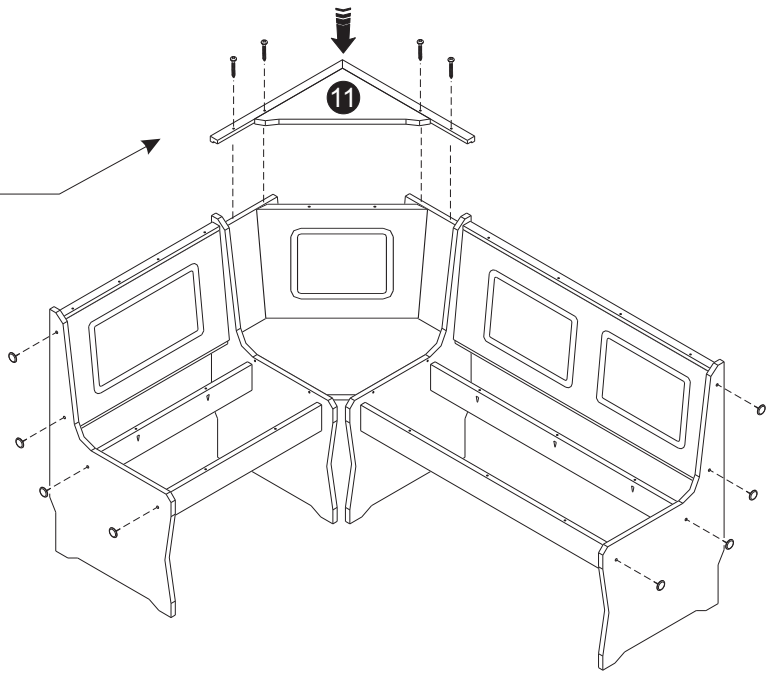
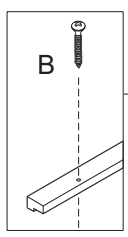
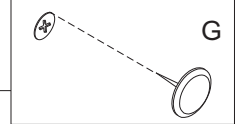
STEP 6

B  **X 4**
Ø3,5x30mm

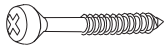
G  **X 8**

		
NO!	NO!	YES!

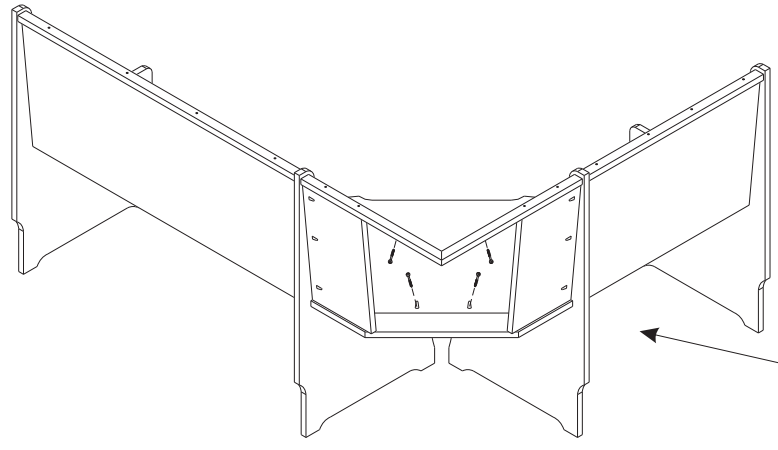
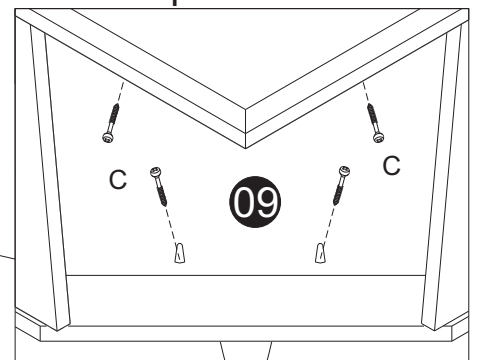
IMPORTANT: Make sure "G" is fixed right next to the screw as shown.



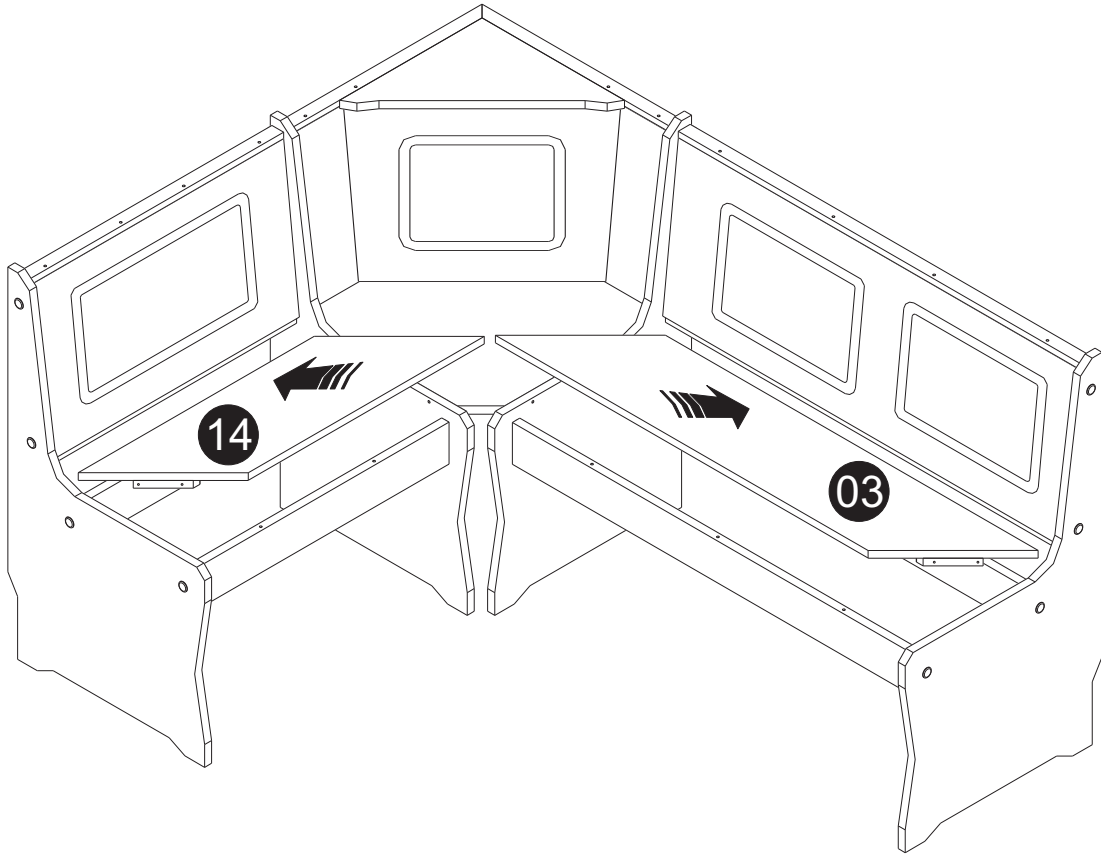
STEP 7

C  **X 4**
Ø4x35 mm

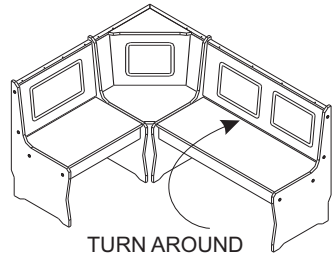
Fix top screws first.



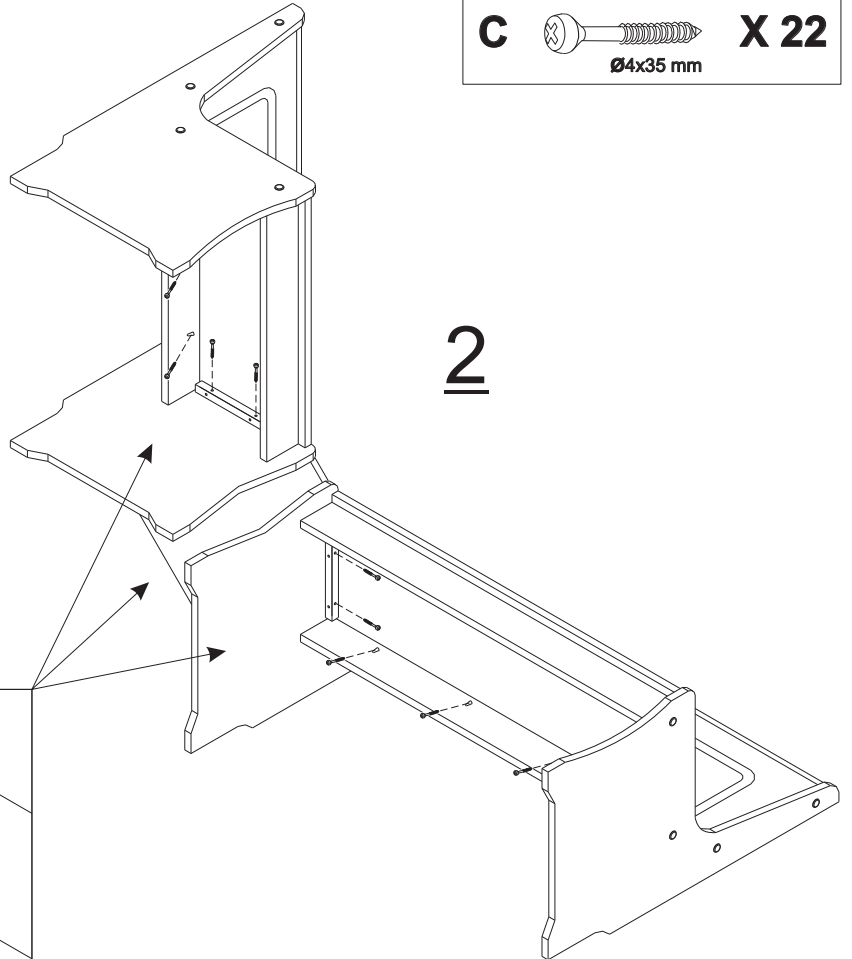
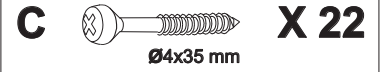
STEP 8



STEP 9



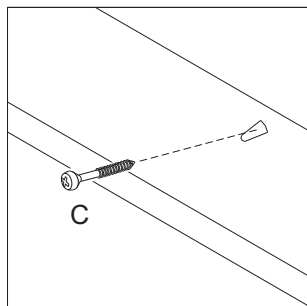
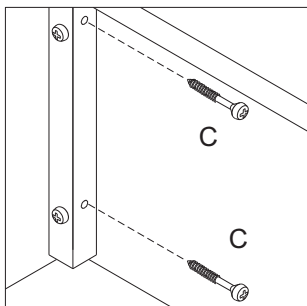
1



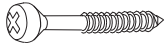
2

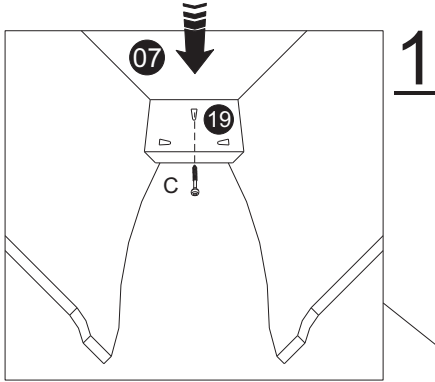
2

1

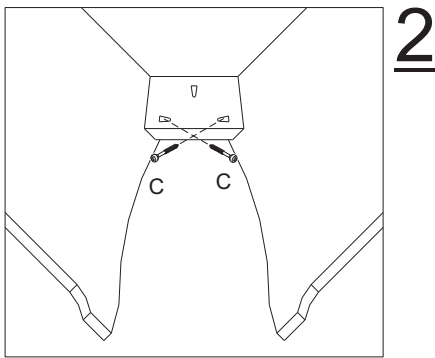


STEP 10

C  **X 3**
Ø4x35 mm

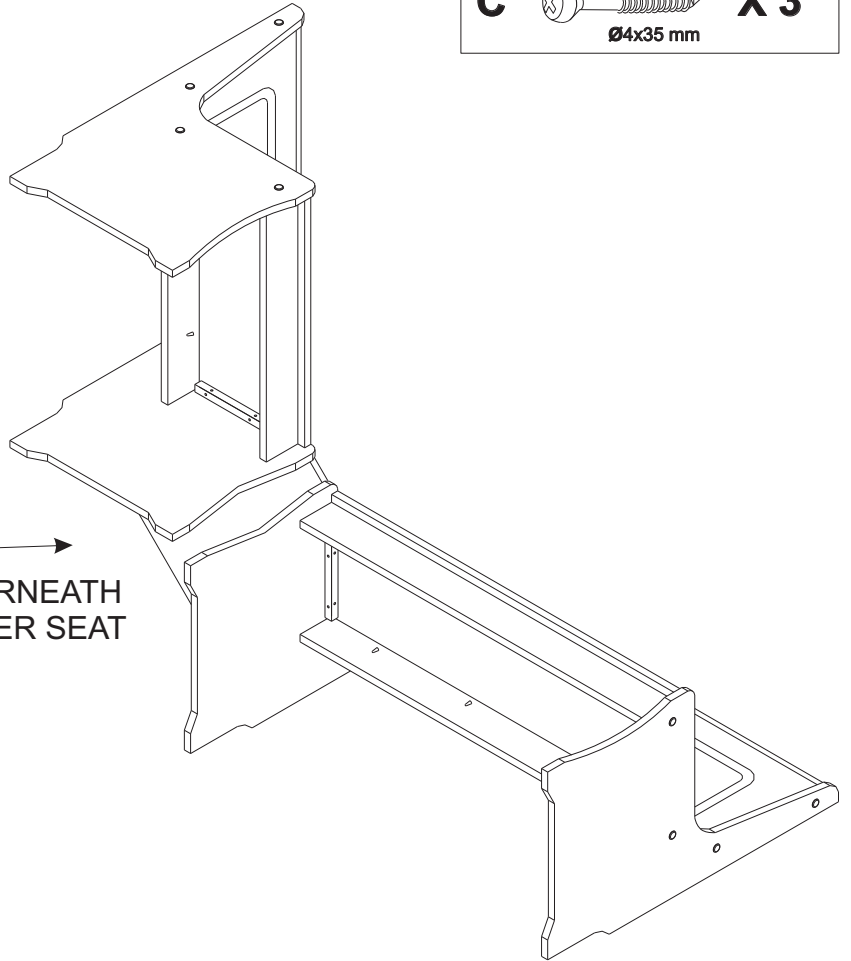


1




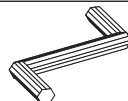
2

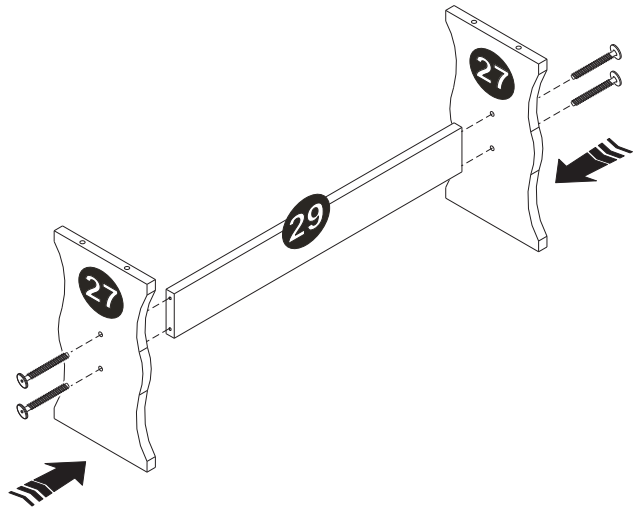
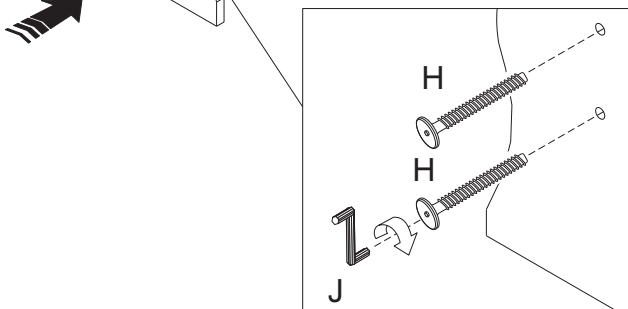
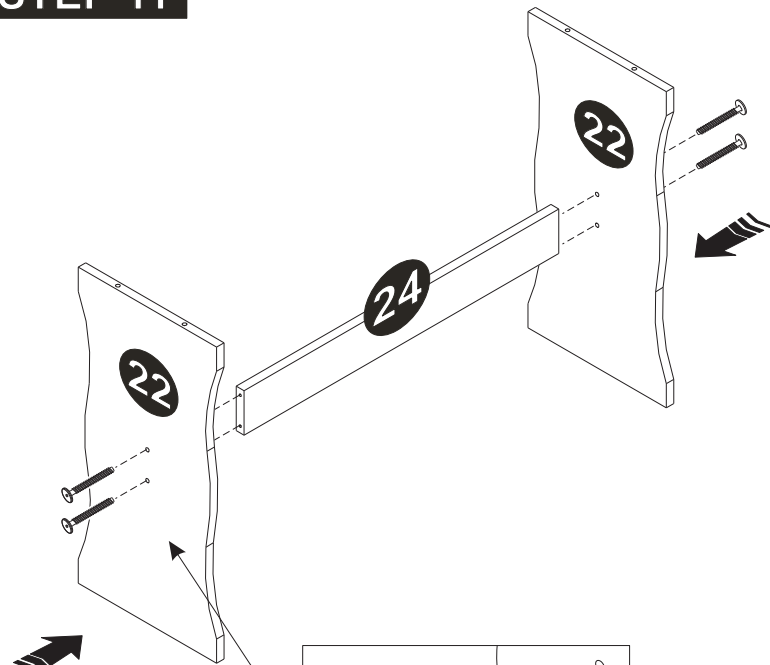
UNDERNEATH
CORNER SEAT




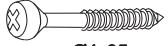
STEP 11

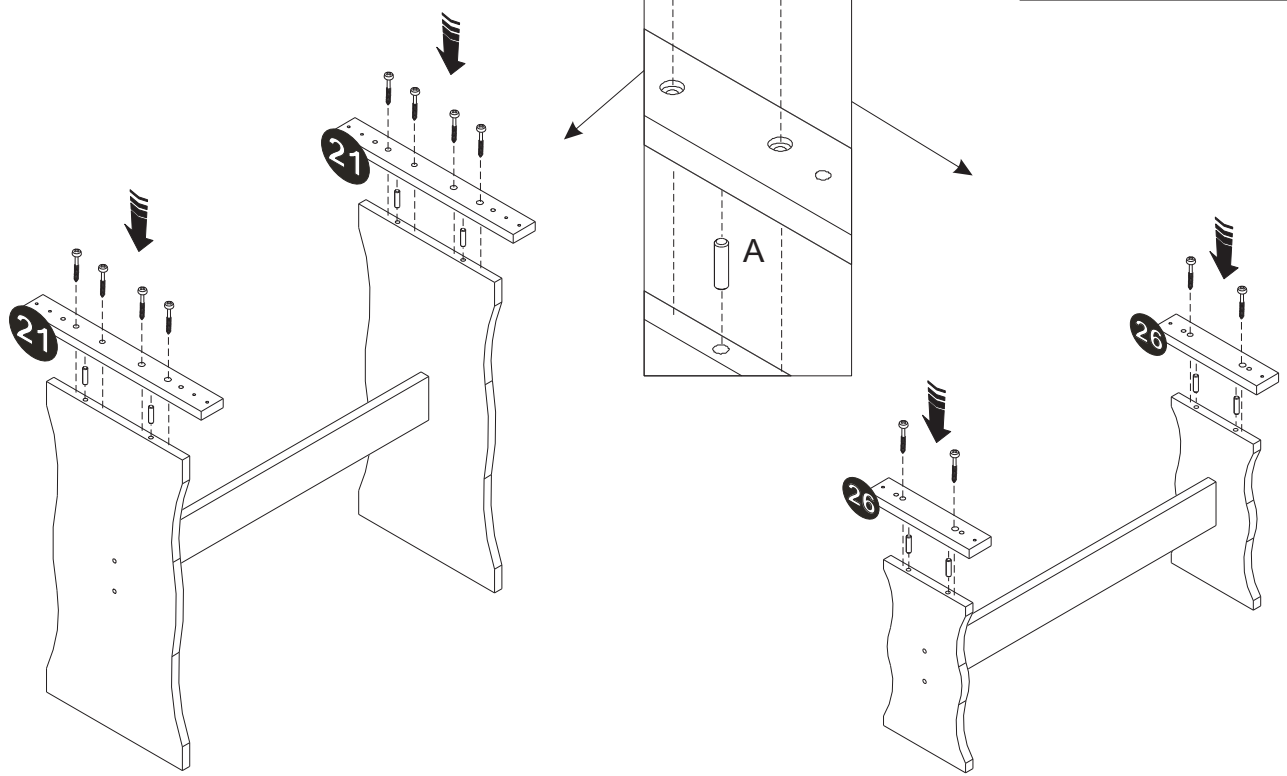
H  **X 8**
7x60 mm

J  **X 1**





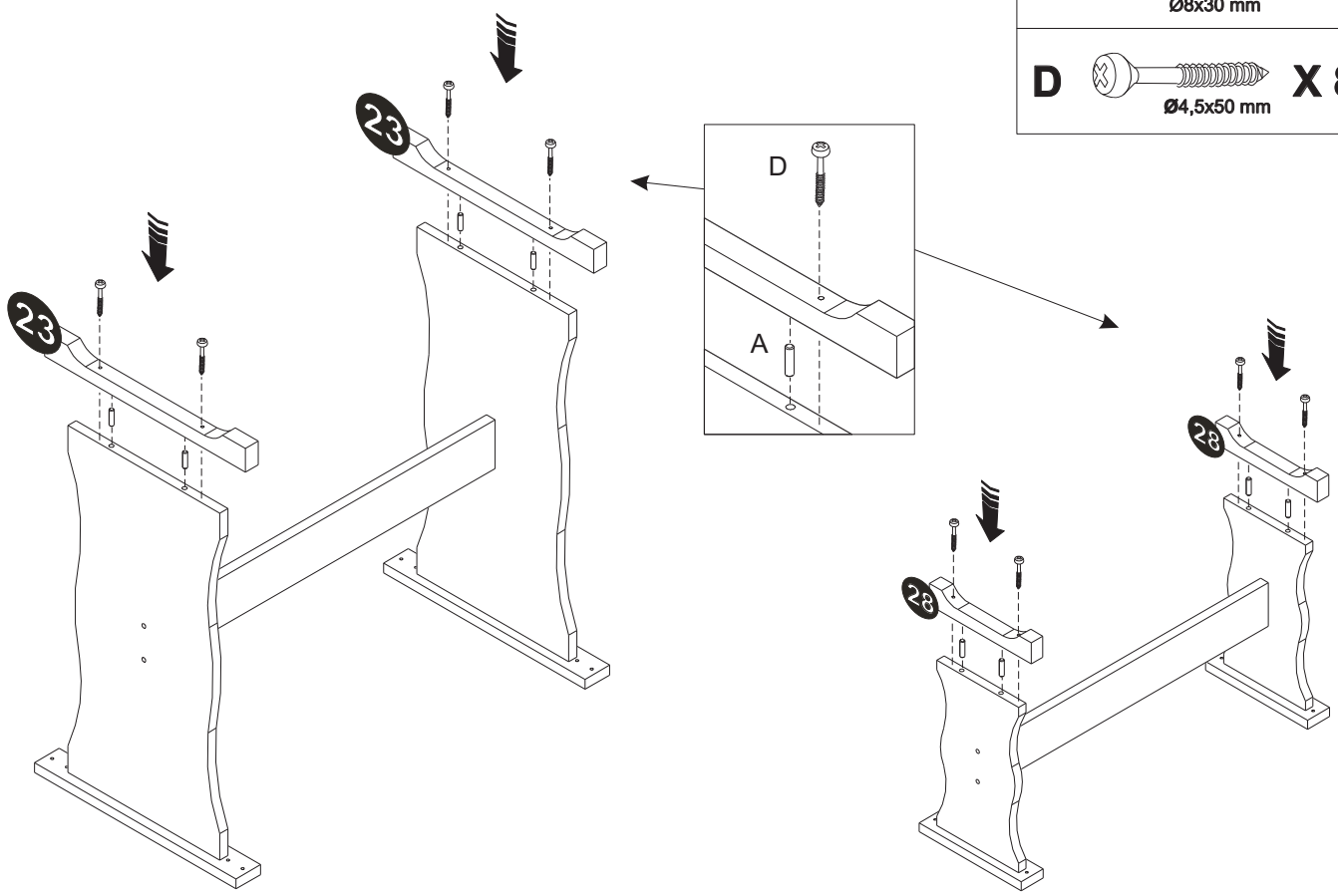
STEP 12

- A**  **X 8**
Ø8x30 mm
- C**  **X 12**
Ø4x35 mm




STEP 13

- A**  **X 8**
Ø8x30 mm
- D**  **X 8**
Ø4,5x50 mm



STEP 14

A  **X 8**
Ø8x30 mm

C  **X 12**
Ø4x35 mm

